

US00D668005S

(12) **United States Design Patent**
Mair

(10) **Patent No.:** **US D668,005 S**

(45) **Date of Patent:** **** *Sep. 25, 2012**

(54) **HOOF TRIMMING GUIDE**

(76) Inventor: **Linda N. Mair**, Homestead, FL (US)

(*) Notice: This patent is subject to a terminal disclaimer.

(**) Term: **14 Years**

(21) Appl. No.: **29/361,968**

(22) Filed: **May 18, 2010**

(51) **LOC (9) Cl.** **30-99**

(52) **U.S. Cl.** **D30/158; D32/199**

(58) **Field of Classification Search** D30/158,
D30/199, 146-150, 155; D10/64; 168/48.1,
168/45; 33/195, 511, 562-566, 379, 382,
33/DIG. 10; 600/587; D19/35-43

See application file for complete search history.

(56) **References Cited**

U.S. PATENT DOCUMENTS

82,213	A *	9/1868	Ferren	33/195
583,706	A *	6/1897	Kearns et al.	33/195
789,100	A *	5/1905	Murray	33/195
1,031,192	A *	7/1912	MacLeod	33/195
1,202,348	A *	10/1916	Yates	33/195
1,490,327	A *	4/1924	Kerr	168/45
D250,512	S *	12/1978	Rips et al.	D10/64
4,227,311	A *	10/1980	Behney	33/195
D312,048	S *	11/1990	Mills	D10/64
D317,131	S *	5/1991	Kwan	D10/64
D318,241	S *	7/1991	Burton et al.	D10/64
D318,813	S *	8/1991	Salazar et al.	D10/64
D340,652	S *	10/1993	Shapiro	D10/64
D342,685	S *	12/1993	Stokes	D10/64
D347,586	S *	6/1994	Kim	D10/64
D348,404	S *	7/1994	Yost	D10/64
D348,618	S *	7/1994	Leslie et al.	D10/64
D362,400	S *	9/1995	Tucker	D10/64
D374,630	S *	10/1996	Biss	D10/64
D436,048	S *	1/2001	Chesson	D10/64
6,360,824	B1 *	3/2002	Singley	168/45
6,502,642	B2 *	1/2003	Ahrens	168/45

D490,729	S *	6/2004	Chudek et al.	D10/64
7,013,981	B2 *	3/2006	Goode	168/45
D541,680	S *	5/2007	Pepe	D10/64
D542,163	S *	5/2007	Pepe	D10/64
D549,115	S *	8/2007	Tucker	D10/64
D550,104	S *	9/2007	Miclat et al.	D10/64
D571,233	S *	6/2008	Rys, Jr.	D10/64
D576,893	S *	9/2008	Iwasaki	D10/64
D577,618	S *	9/2008	Iwasaki	D10/64
D582,301	S *	12/2008	Pepe	D10/64
D592,082	S *	5/2009	Iwasaki	D10/64
D597,869	S *	8/2009	Elias	D10/64
D601,442	S *	10/2009	Haren	D10/64
7,596,875	B2 *	10/2009	Ross	33/195
D605,957	S *	12/2009	Zieman	D10/64
D609,121	S *	2/2010	Elias	D10/64
D625,623	S *	10/2010	Smink	D10/64
2009/0151176	A1 *	6/2009	Healey	33/195
2010/0179450	A1 *	7/2010	Abdullah	600/587
2011/0278025	A1 *	11/2011	Hamilton	168/48.1

* cited by examiner

Primary Examiner — Susan M Lee

(74) *Attorney, Agent, or Firm* — Albert Bordas, P.A.

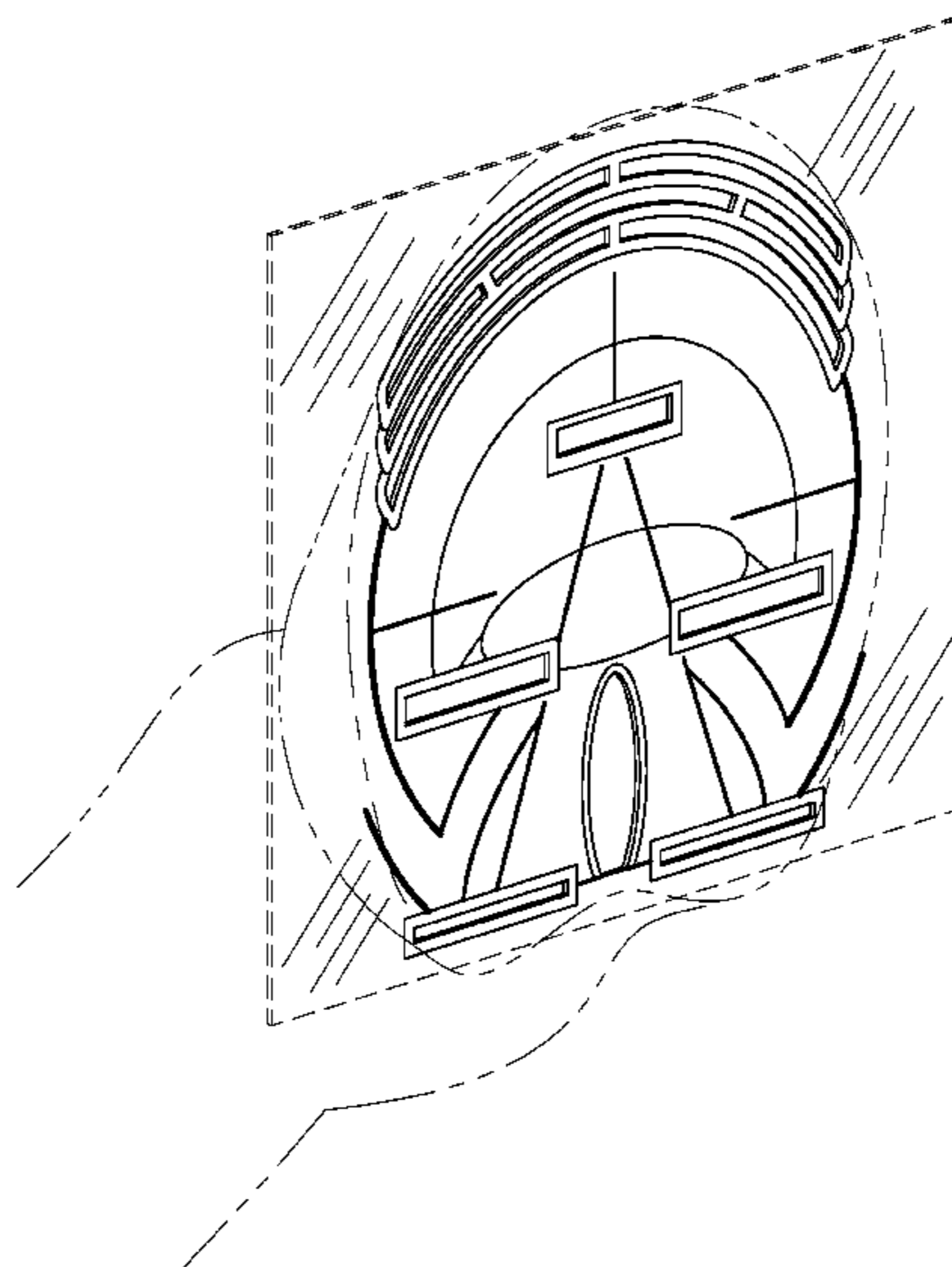
(57) **CLAIM**

The ornamental design for a hoof trimming guide, as shown and described.

DESCRIPTION

FIG. 1 is a top plan view of a hoof trimming guide, the bottom view being a mirror image thereof;
FIG. 2 is a front elevational view thereof;
FIG. 3 is a rear elevational view thereof;
FIG. 4 is a left elevational view thereof, the right elevational view being a mirror image thereof;
FIG. 5 is an isometric view thereof; and,
FIG. 6 is an isometric view thereof, showing my design in use. The edges of the hoof trimming guide which are depicted in broken line are not claimed. The broken line depiction of a horse's leg and hoof in FIG. 6 is also not claimed.

1 Claim, 4 Drawing Sheets



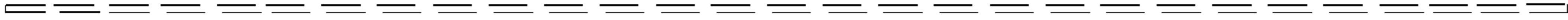


Fig. 1

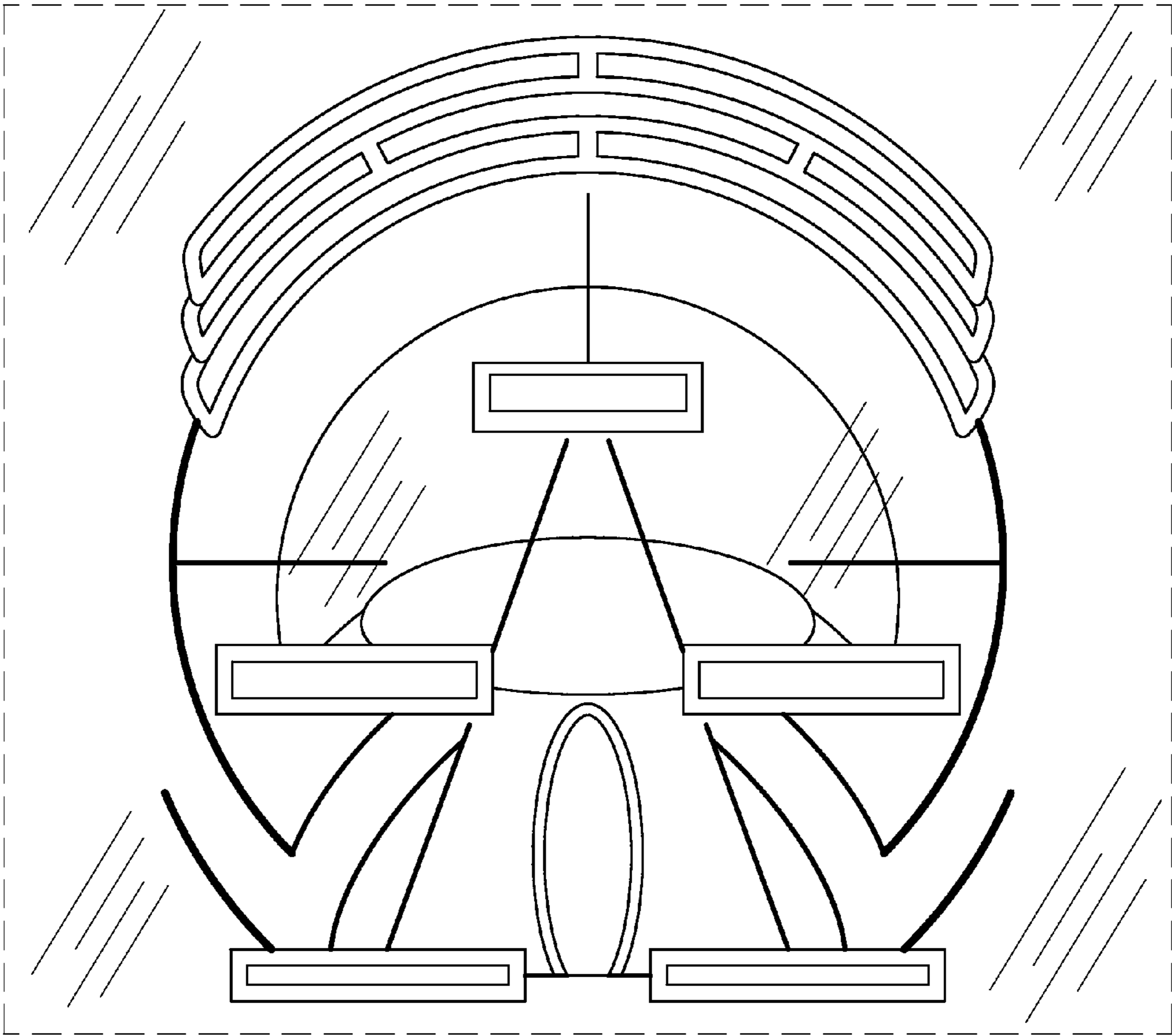


Fig. 2

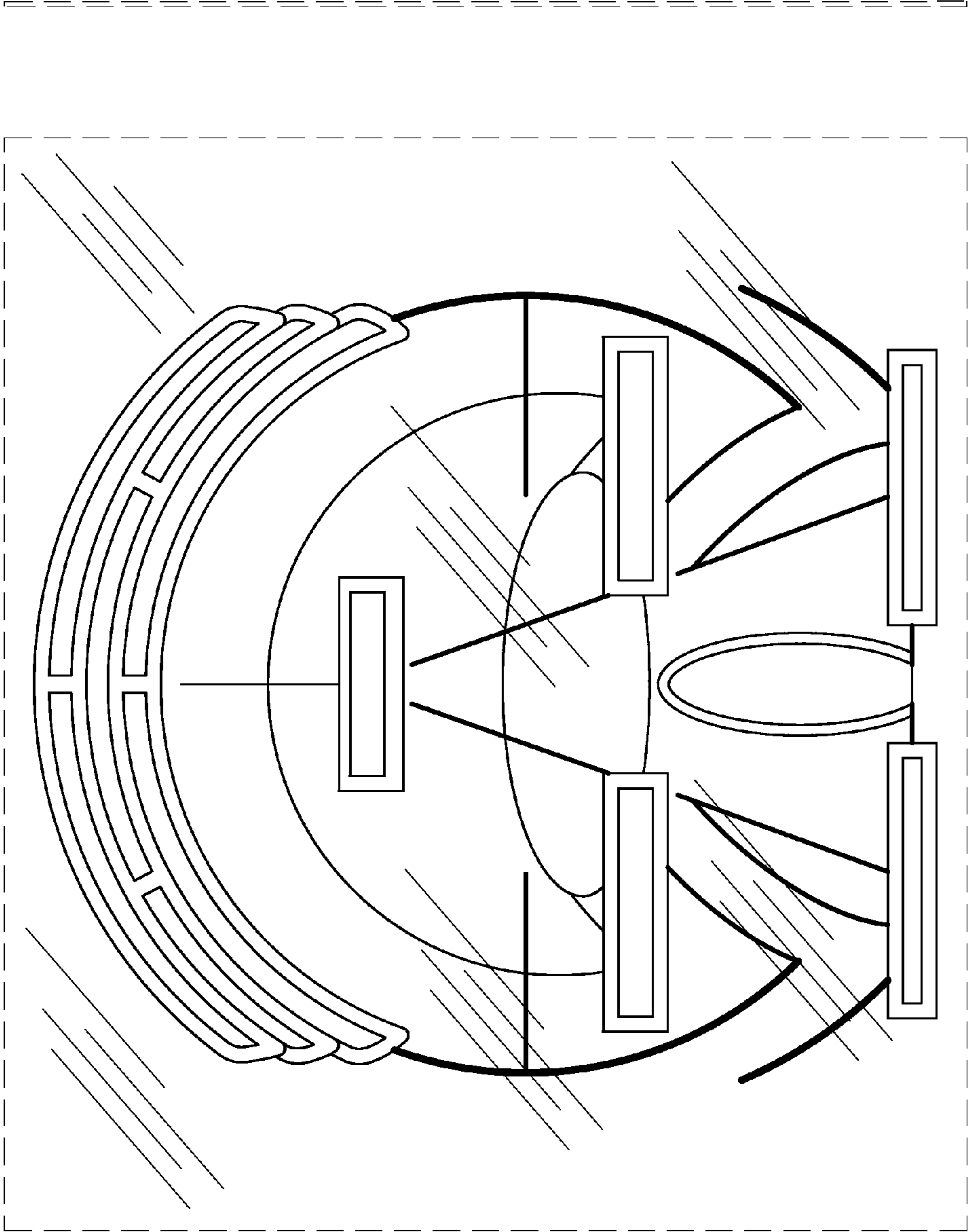


Fig. 3

Fig. 4

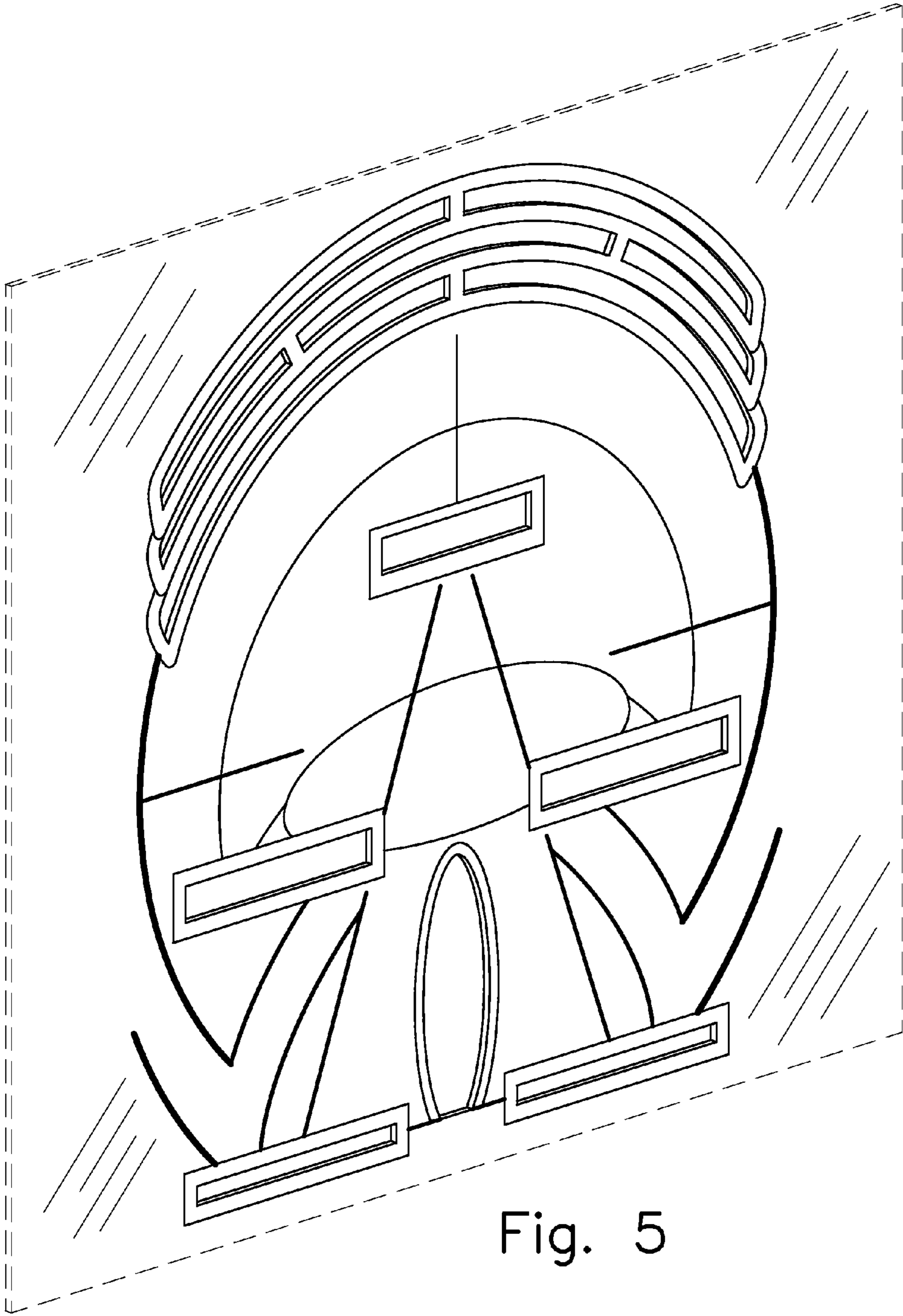


Fig. 5

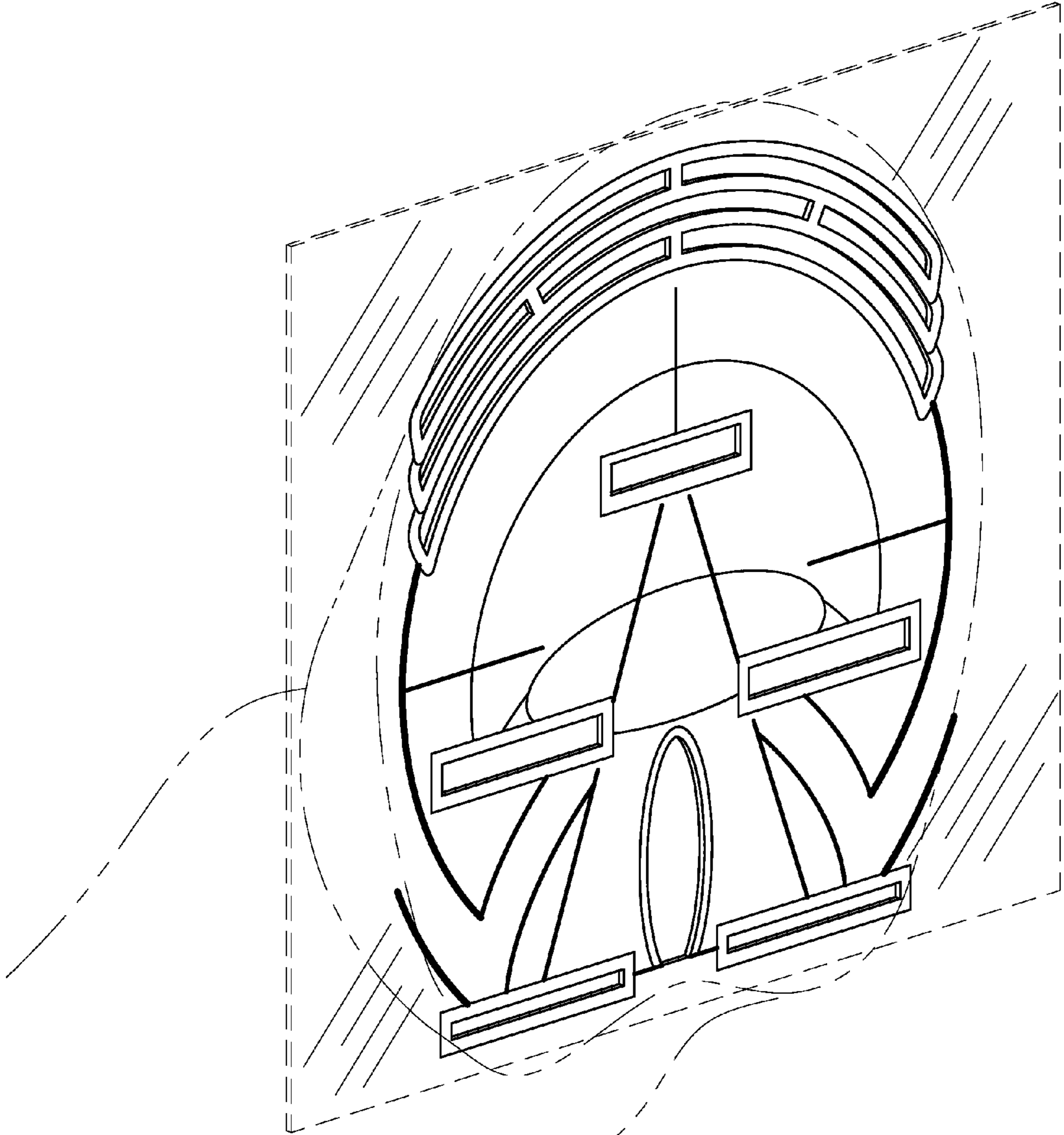


Fig. 6