



US00D667995S

(12) **United States Design Patent**  
**Grienay**

(10) **Patent No.:** **US D667,995 S**

(45) **Date of Patent:** **\*\* Sep. 25, 2012**

(54) **BASE FOR USE WITH A HAIR APPLIANCE**

D638,581 S \* 5/2011 Blaisdell ..... D28/73  
D643,974 S 8/2011 Renault  
D649,288 S 11/2011 Koehler

(Continued)

(75) Inventor: **Arnaud Grienay**, Lyons (FR)

(73) Assignee: **Calor**, Lyons (FR)

FOREIGN PATENT DOCUMENTS

(\*\*) Term: **14 Years**

EM 001054423-0002 12/2008

(Continued)

(21) Appl. No.: **29/398,757**

OTHER PUBLICATIONS

(22) Filed: **Aug. 4, 2011**

U.S. Appl. No. 29/398,759, filed Aug. 4, 2011, Grienay.

(Continued)

(30) **Foreign Application Priority Data**

Feb. 4, 2011 (EP) ..... 001258396-0005

*Primary Examiner* — Jennifer Rivard

(51) **LOC (9) Cl.** ..... **28-03**

(74) *Attorney, Agent, or Firm* — Loeb & Loeb LLP

(52) **U.S. Cl.** ..... **D28/38; D28/73**

(57) **CLAIM**

(58) **Field of Classification Search** ..... D28/9–10,  
D28/73–75, 38; 248/133, 146, 371, 117.1–117.7,  
248/126; 206/558, 561, 562–566, 581, 823;  
219/242, 222; 211/70.6, 73, 74, 26, 69.5;  
D6/571, 467; 132/309

The ornamental design for a base for use with a hair appli-  
ance, as shown and described.

**DESCRIPTION**

See application file for complete search history.

FIG. 1 is a perspective view of an embodiment of a base for  
use with a hair appliance.

FIG. 2 is a left side elevational view of the base for use with  
a hair appliance of FIG. 1.

FIG. 3 is a right side elevational view of the base for use with  
a hair appliance of FIG. 1.

FIG. 4 is a top plan view of the base for use with a hair  
appliance of FIG. 1.

FIG. 5 is a bottom plan view of the base for use with a hair  
appliance of FIG. 1.

FIG. 6 is a front elevational view of the base for use with a hair  
appliance of FIG. 1; and,

FIG. 7 is rear elevational view of base for use with a hair  
appliance of FIG. 1.

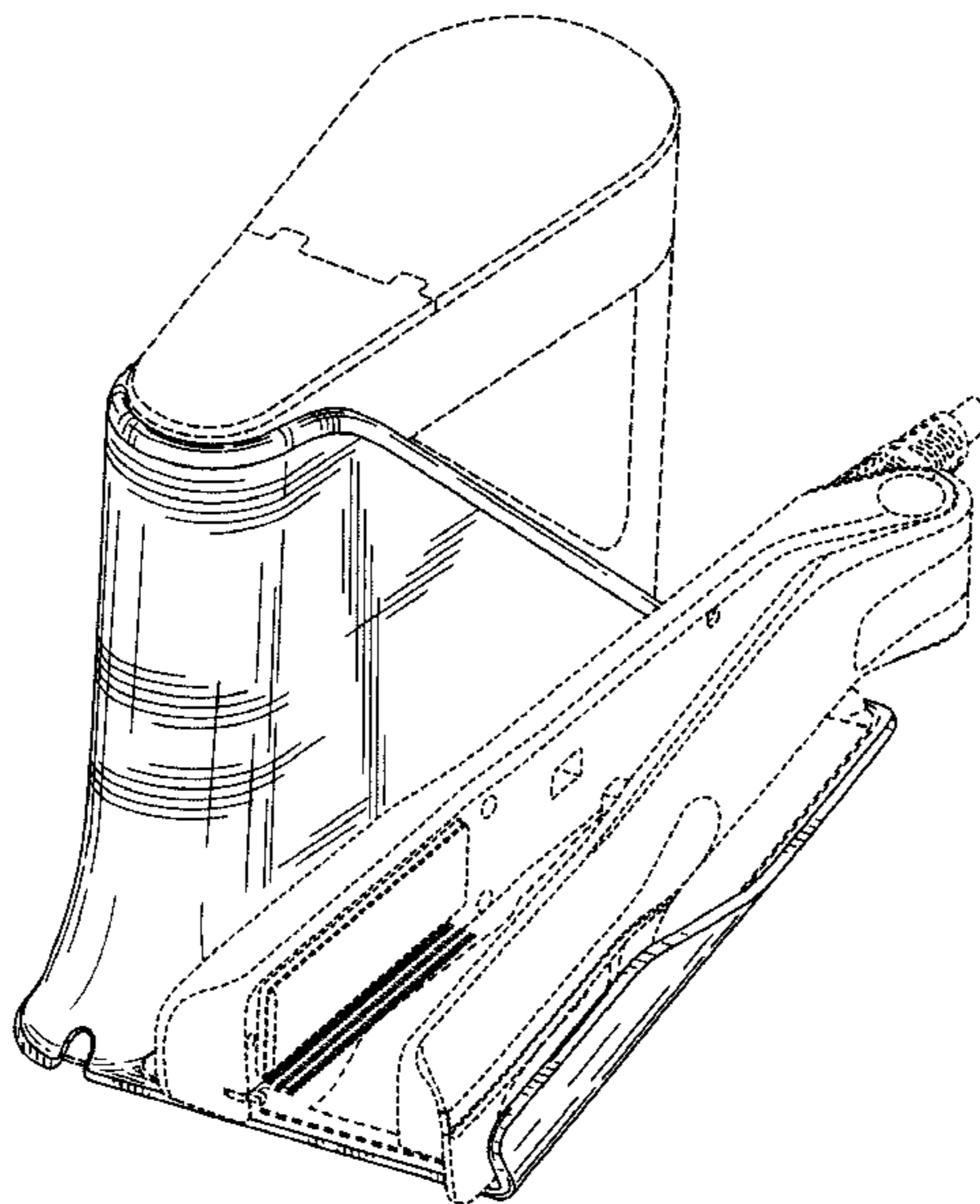
The broken lines illustrate the environmental structure and  
the bounds of the claim. The broken lines form no part of the  
claimed design.

(56) **References Cited**

U.S. PATENT DOCUMENTS

3,964,708 A \* 6/1976 Reeves ..... 248/126  
5,169,102 A \* 12/1992 Bracken ..... 248/117.3  
D360,485 S \* 7/1995 Simonelli ..... D28/73  
D371,220 S \* 6/1996 Behrens ..... D28/38  
5,727,701 A \* 3/1998 Rhoades ..... 211/70.6  
5,890,649 A \* 4/1999 Baxter ..... 229/182.1  
RE37,535 E \* 2/2002 Avery et al. .... 132/309  
D513,346 S \* 12/2005 Buck, Jr. .... D28/73  
D536,483 S 2/2007 Lun et al.  
D606,251 S 12/2009 Leung  
D606,255 S 12/2009 Leung  
D621,638 S \* 8/2010 Meech et al. .... D6/467  
D627,926 S 11/2010 Nenadich

**1 Claim, 6 Drawing Sheets**



# US D667,995 S

Page 2

---

## U.S. PATENT DOCUMENTS

2003/0222069 A1\* 12/2003 Sena et al. .... 219/222  
2009/0159093 A1 6/2009 Yu

## FOREIGN PATENT DOCUMENTS

EM 001135875-0014 5/2009  
EM 001135875-0015 5/2009  
EM 001135875-0017 5/2009  
EM 001168165-0001 9/2009  
EP 000112784-0001 12/2003  
EP 000903547-0001 3/2008  
EP 000997994-0001 9/2008

EP 001054423-0001 12/2008  
EP 001100614-0001 3/2009  
EP 001135875-0012 5/2009  
EP 001150510-0001 7/2009  
EP 001150510-0002 7/2009  
EP 001190623-0001 1/2010  
WO DM/072796 12/2009

## OTHER PUBLICATIONS

U.S. Appl. No. 29/398,760, filed Aug. 4, 2011, Grienay.

\* cited by examiner

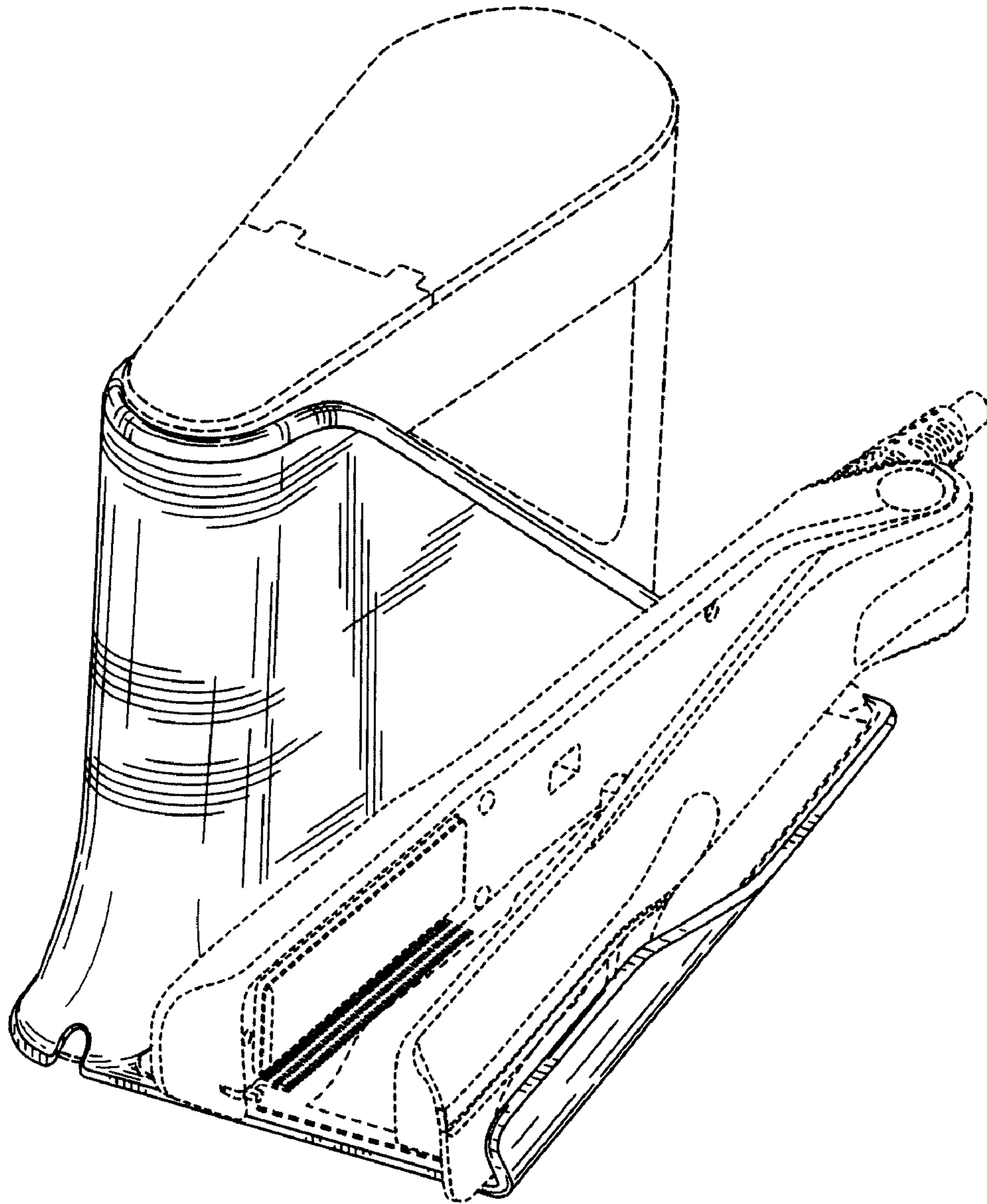


FIG. 1

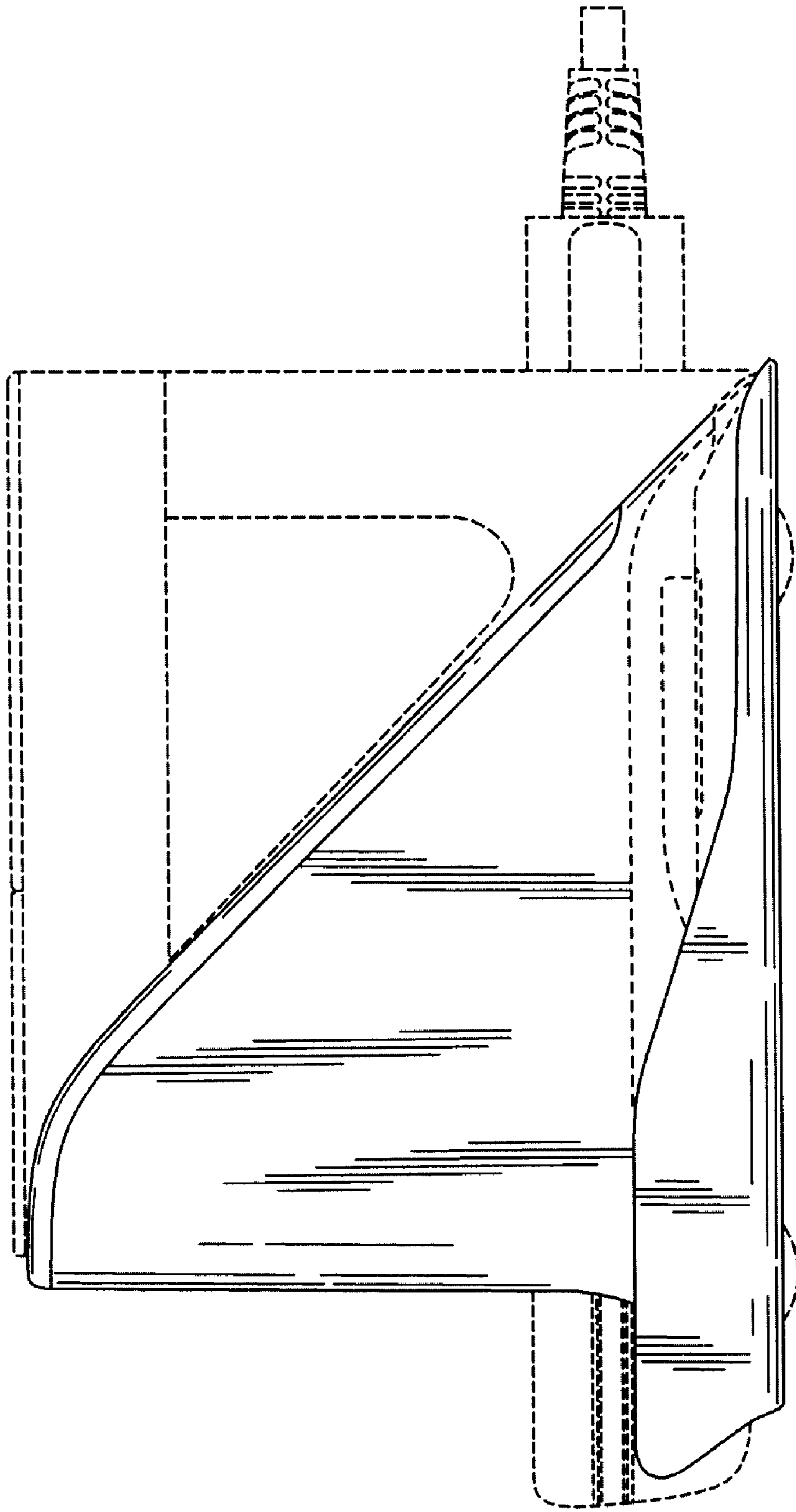


FIG. 2

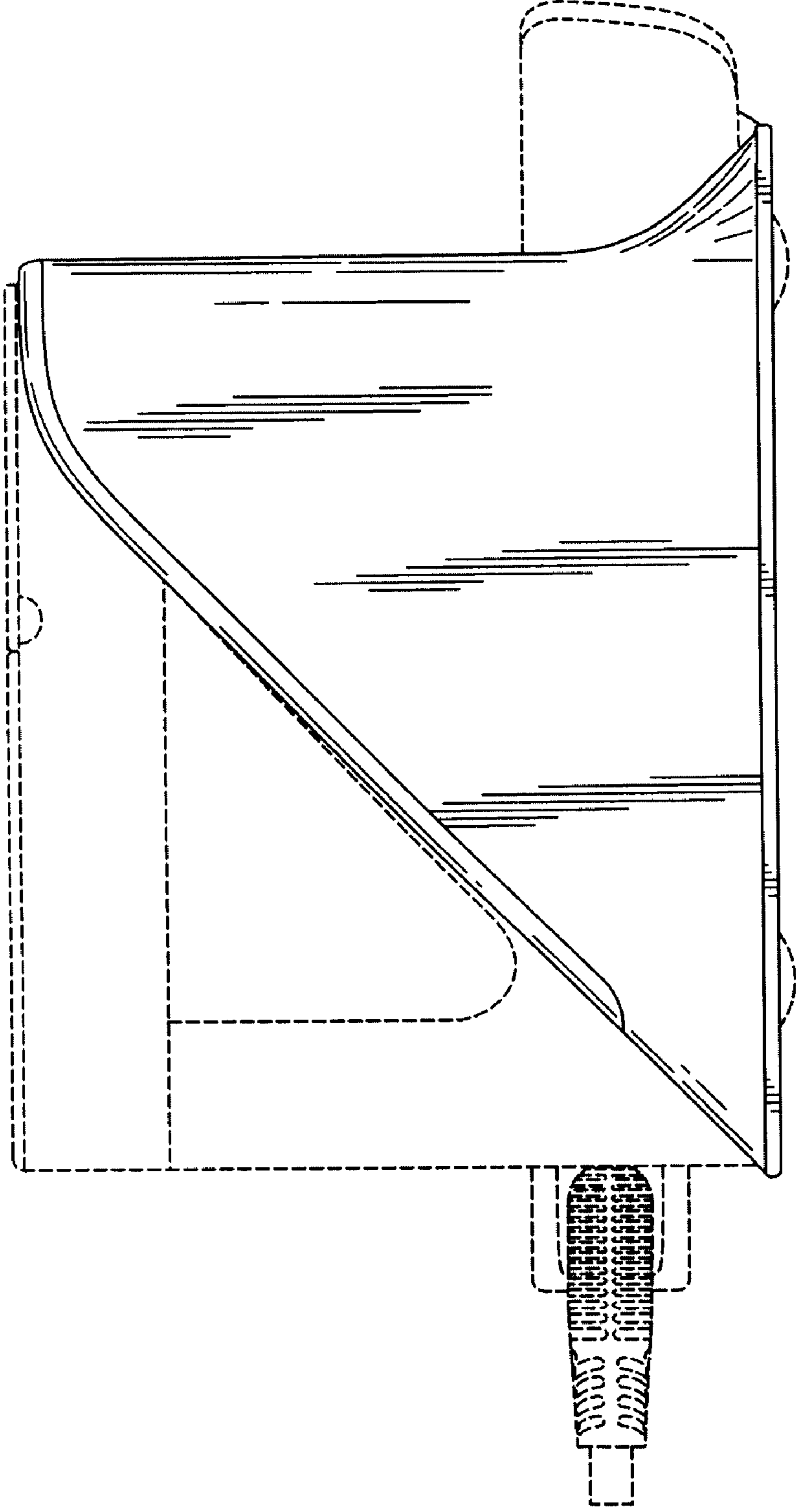


FIG. 3

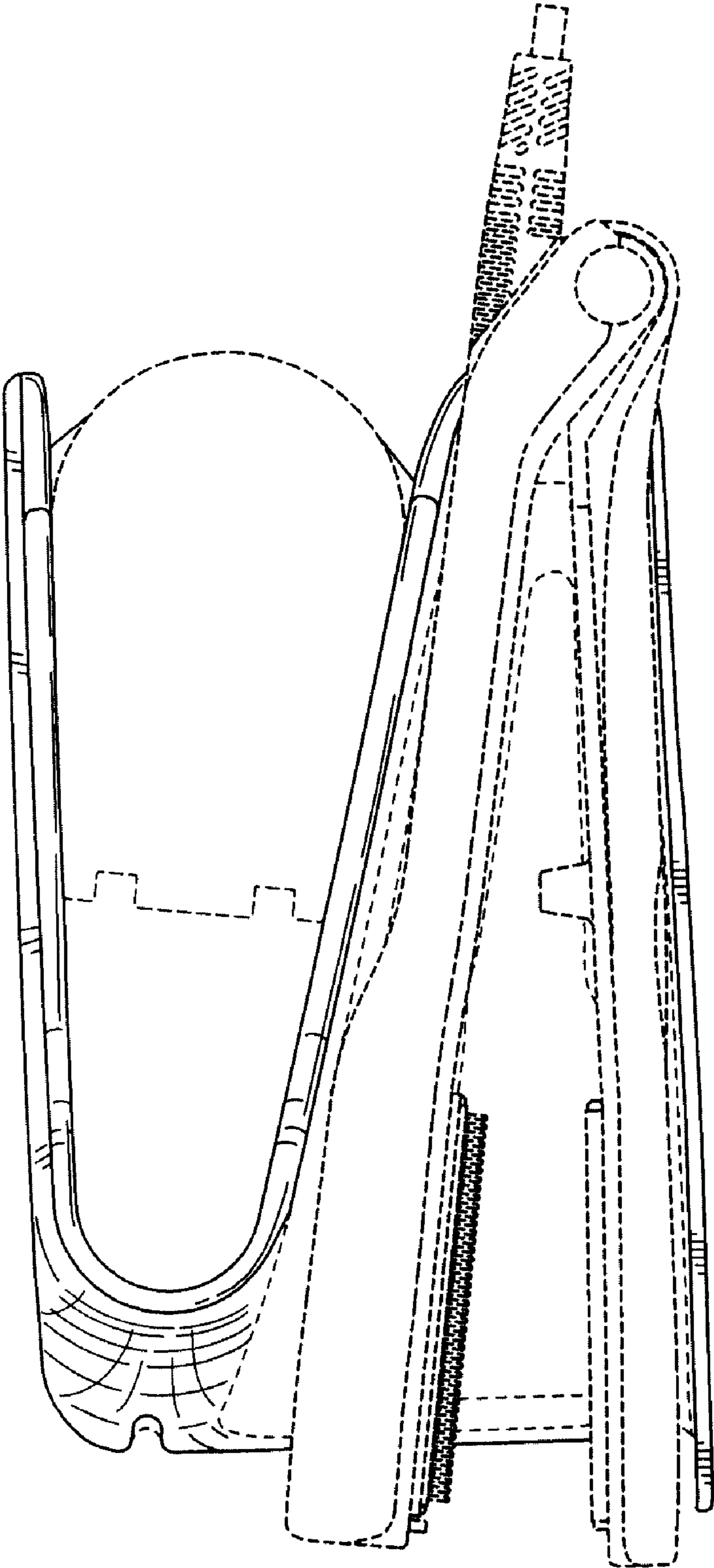


FIG. 4

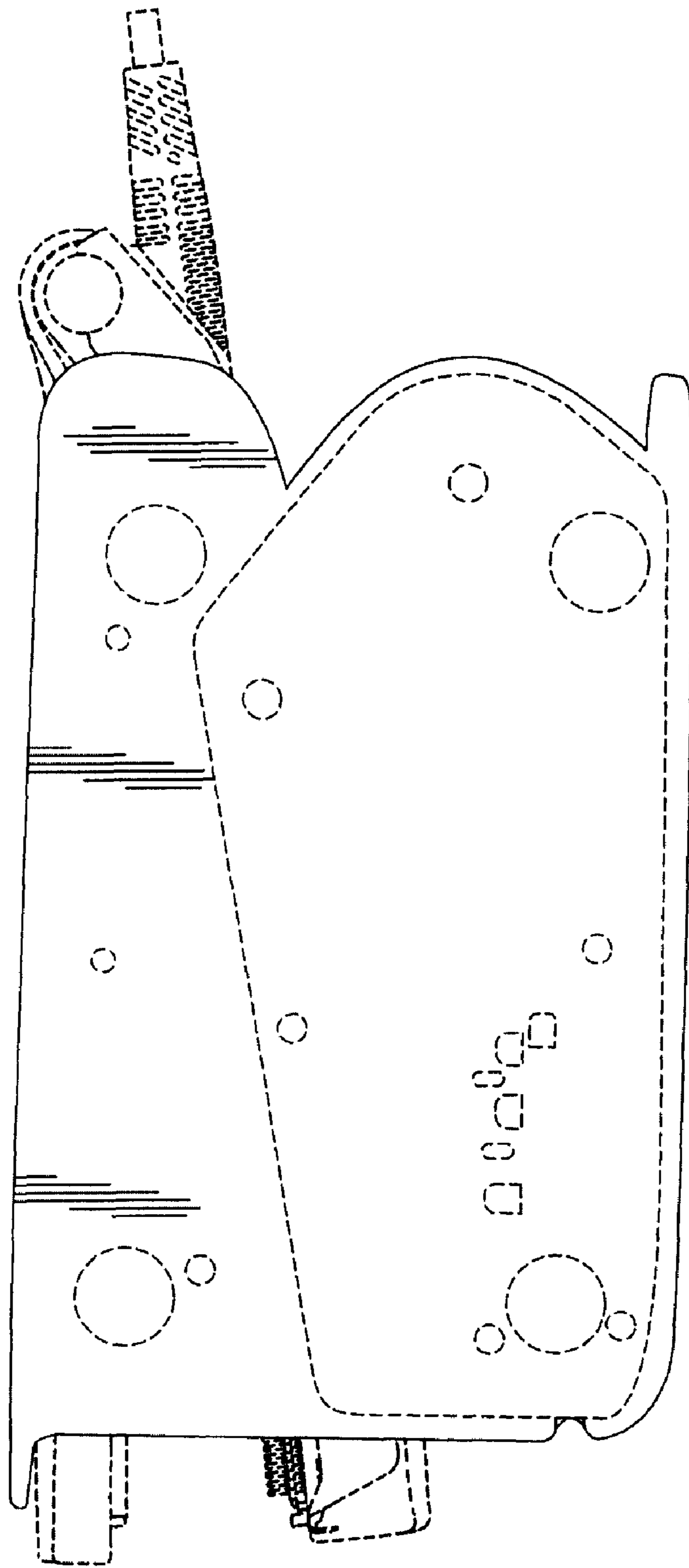


FIG. 5

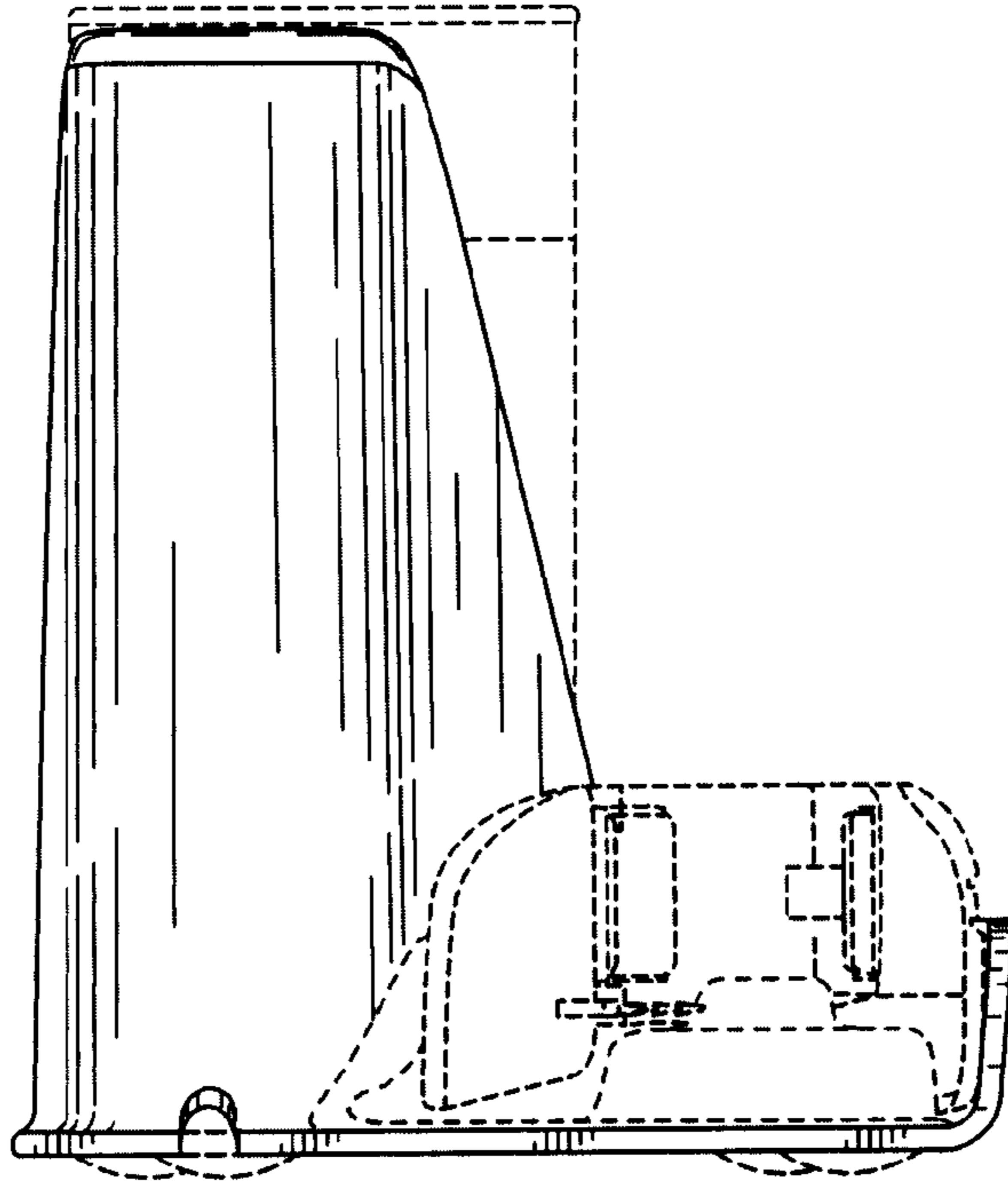


FIG. 6

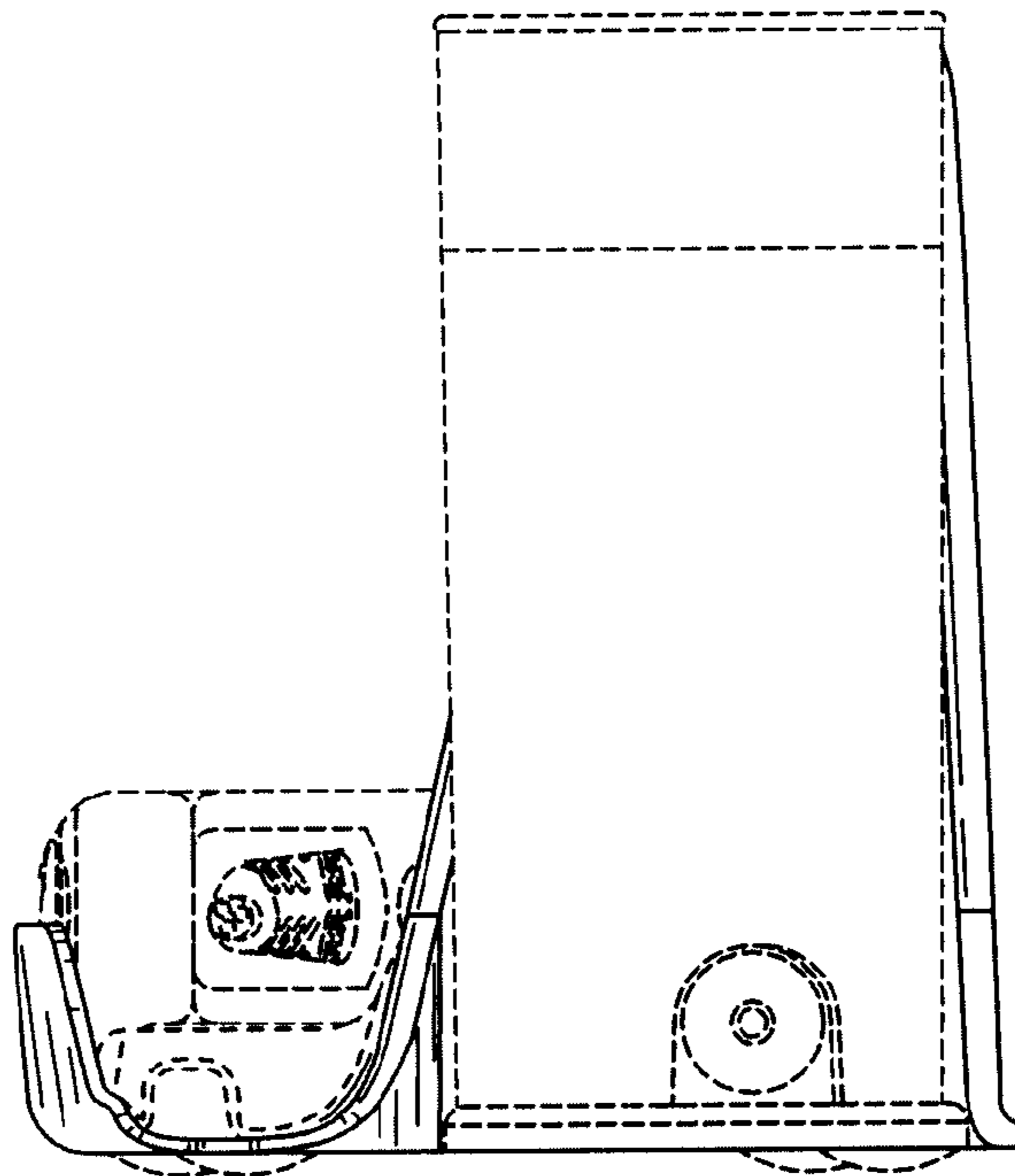


FIG. 7