

US00D667993S

(12) **United States Design Patent**
Lin

(10) **Patent No.:** **US D667,993 S**
(45) **Date of Patent:** **** Sep. 25, 2012**

(54) **IGNITER**
(75) Inventor: **Lung-Yin Lin**, Taichung (TW)
(73) Assignee: **Pro-Iroda Industries, Inc.**, Taichung (TW)
(**) Term: **14 Years**
(21) Appl. No.: **29/409,776**
(22) Filed: **Dec. 29, 2011**
(51) **LOC (9) Cl.** **27-05**
(52) **U.S. Cl.** **D27/139**
(58) **Field of Classification Search** D27/194, D27/184, 189, 187, 186, 185, 100, 101, 183, D27/172, 143, 163, 162, 161, 153, 144, 141, D27/156, 160, 139, 140, 154, 155, 157, 142, D27/102, 130, 158, 159, 167, 173, 176, 180, D27/181, 193; 219/220; 431/253, 344; 131/70, 131/58, 66.1, 73, 283, 47, 49, 187, 174; D9/423, D9/542, 563, 454, 504; D8/34, 33, 105, D8/30, 29.1; D7/416; 439/668; 206/236; 44/507
See application file for complete search history.

(56) **References Cited**
U.S. PATENT DOCUMENTS
D299,000 S * 12/1988 Yoshinaga D8/30
5,564,918 A * 10/1996 Lin 431/255
D376,302 S * 12/1996 Tsai D8/29.1

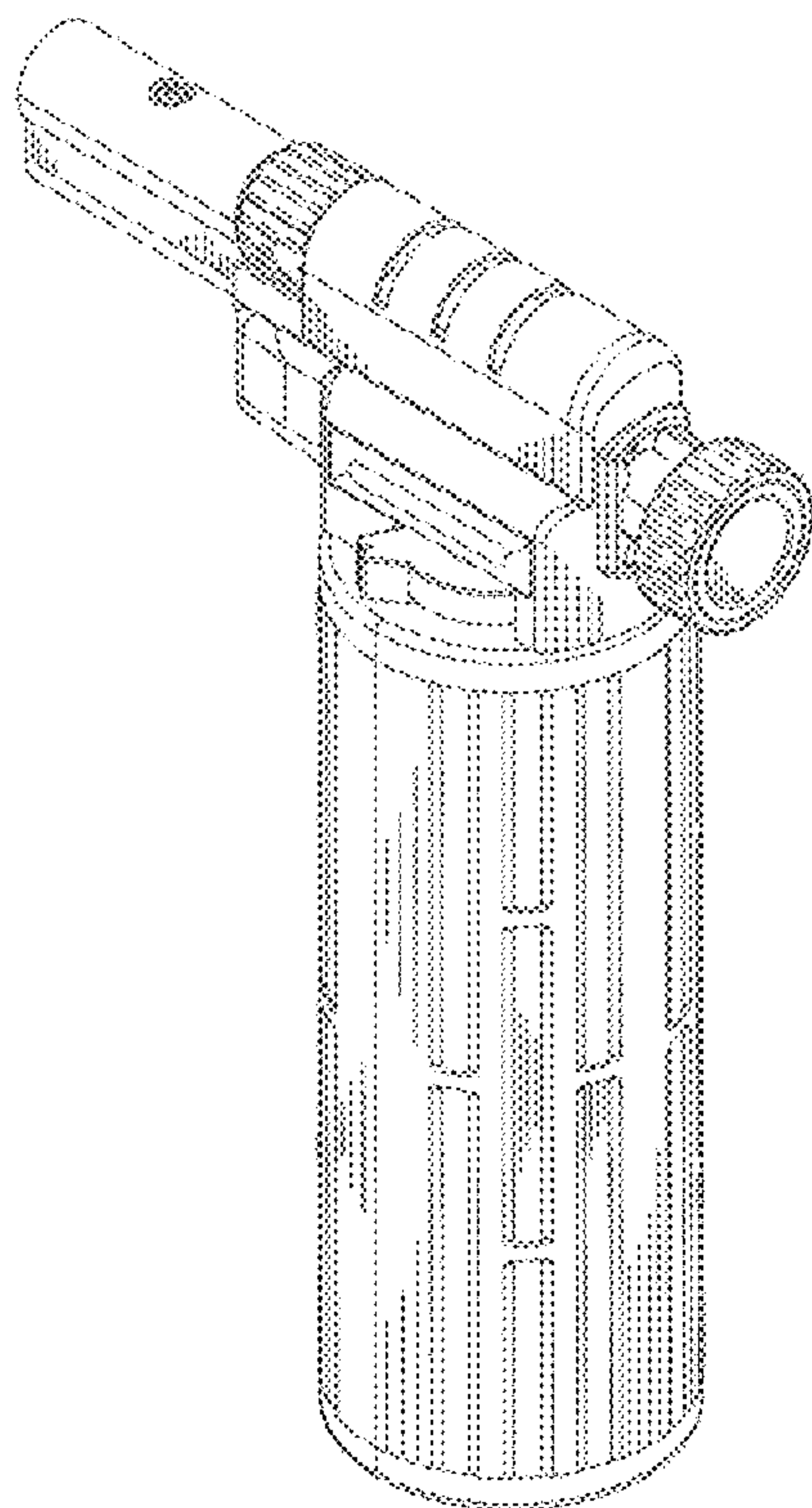
5,667,377 A * 9/1997 Lin 431/344
D398,050 S * 9/1998 Yoshinaga D23/415
D444,912 S * 7/2001 Xie et al. D27/157
D465,978 S * 11/2002 Miyanaga D8/30
D468,482 S * 1/2003 Lin D27/157
D477,747 S * 7/2003 Hsu D7/416
D481,598 S * 11/2003 Lin D8/30
D495,088 S * 8/2004 Lin D27/154
D519,800 S * 5/2006 Glover et al. D8/29.1
2010/0261129 A1 * 10/2010 Lin 431/344
* cited by examiner

Primary Examiner — Kevin Rudzinski
(74) *Attorney, Agent, or Firm* — Alan Kamrath; Kamrath IP Lawfirm, PA

(57) **CLAIM**
The ornamental design for igniter, as shown and described.

DESCRIPTION
FIG. 1 is a perspective view of a igniter showing my new design;
FIG. 2 is a front view thereof;
FIG. 3 is a rear view thereof;
FIG. 4 is a left view thereof;
FIG. 5 is a right view thereof;
FIG. 6 is a top view thereof; and,
FIG. 7 is a bottom view thereof.
Broken lines shown in the drawings illustrate portions of the igniter that form no part of the claimed design.

1 Claim, 7 Drawing Sheets



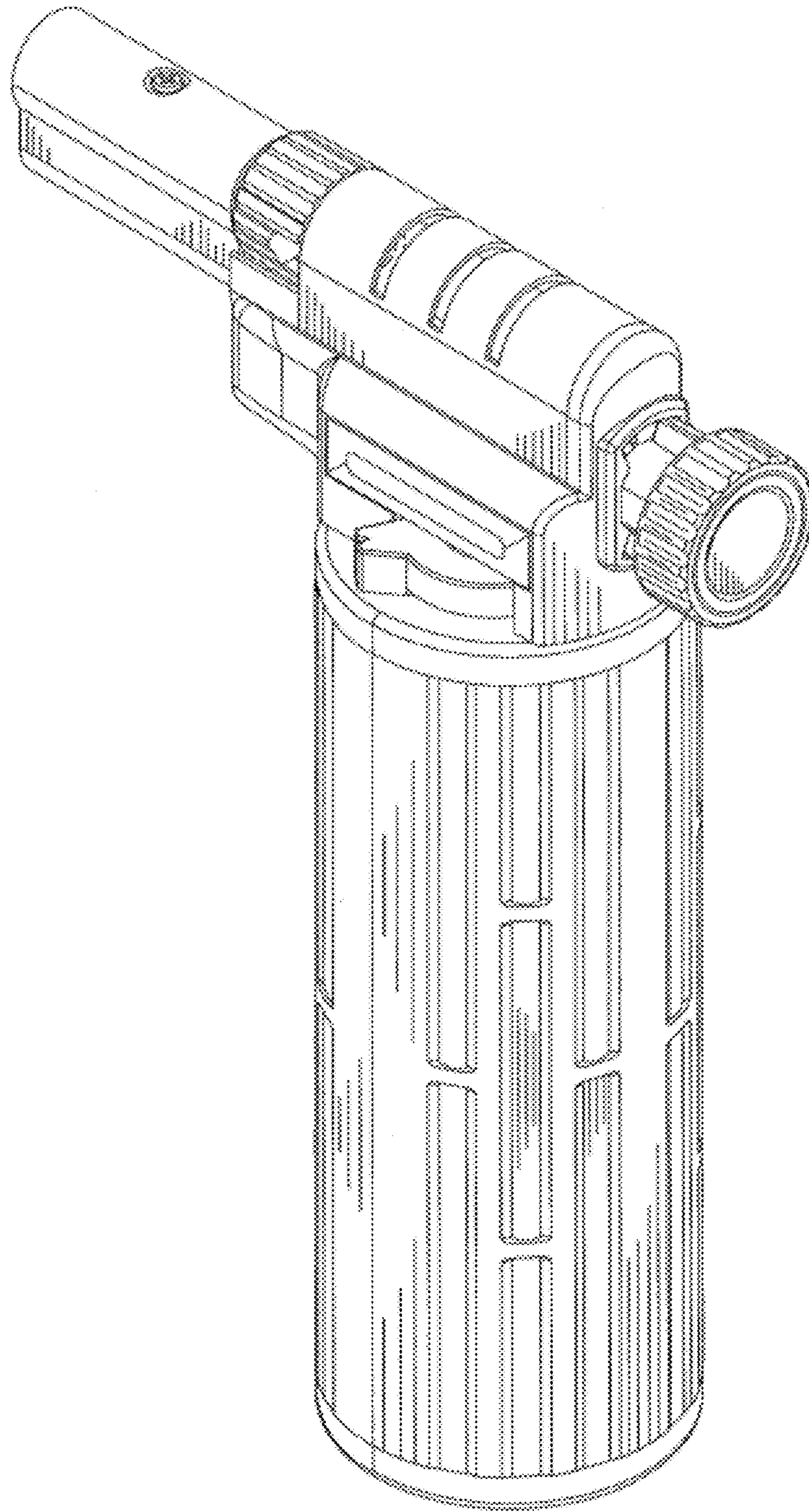


FIG. 1

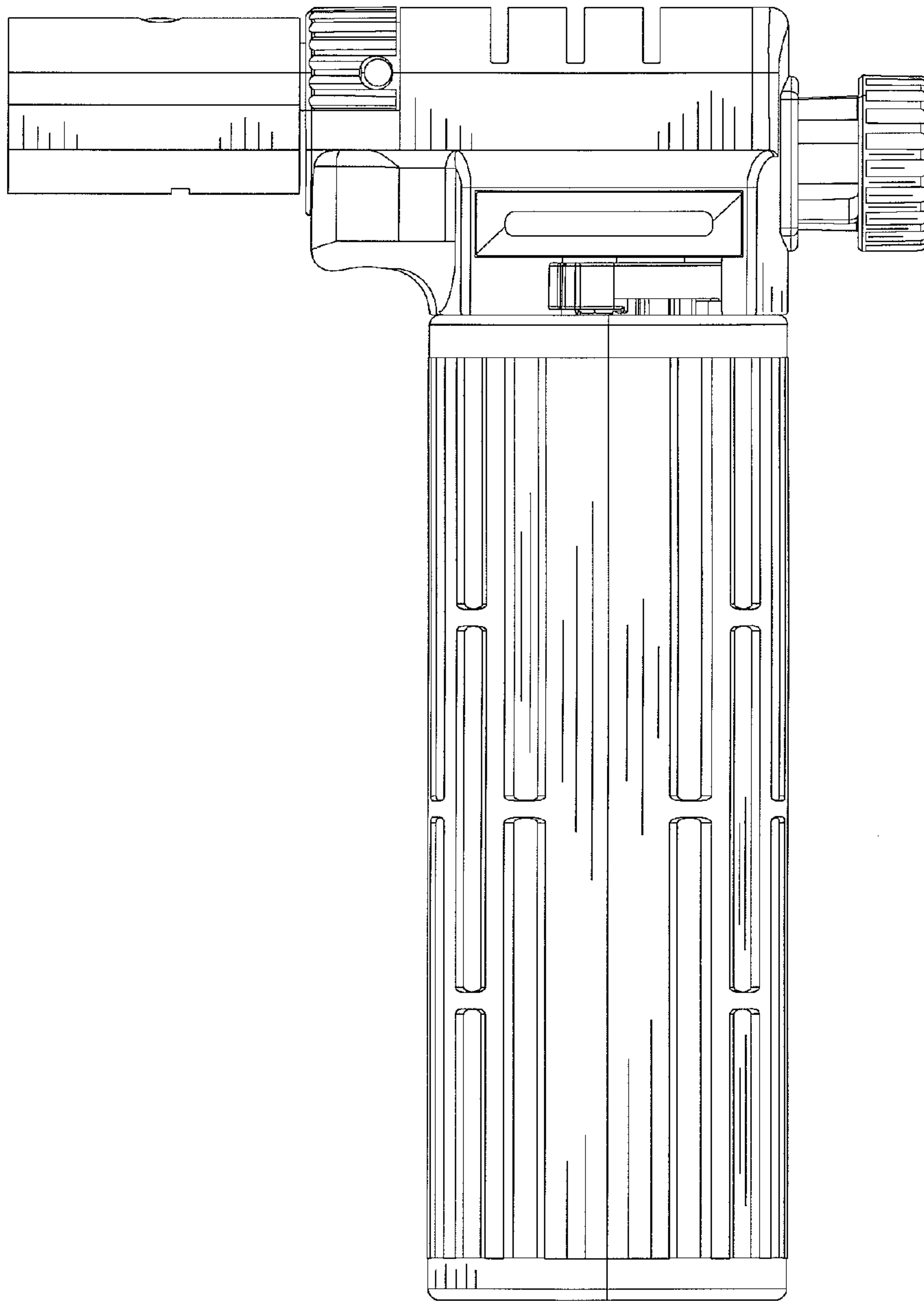


FIG. 2

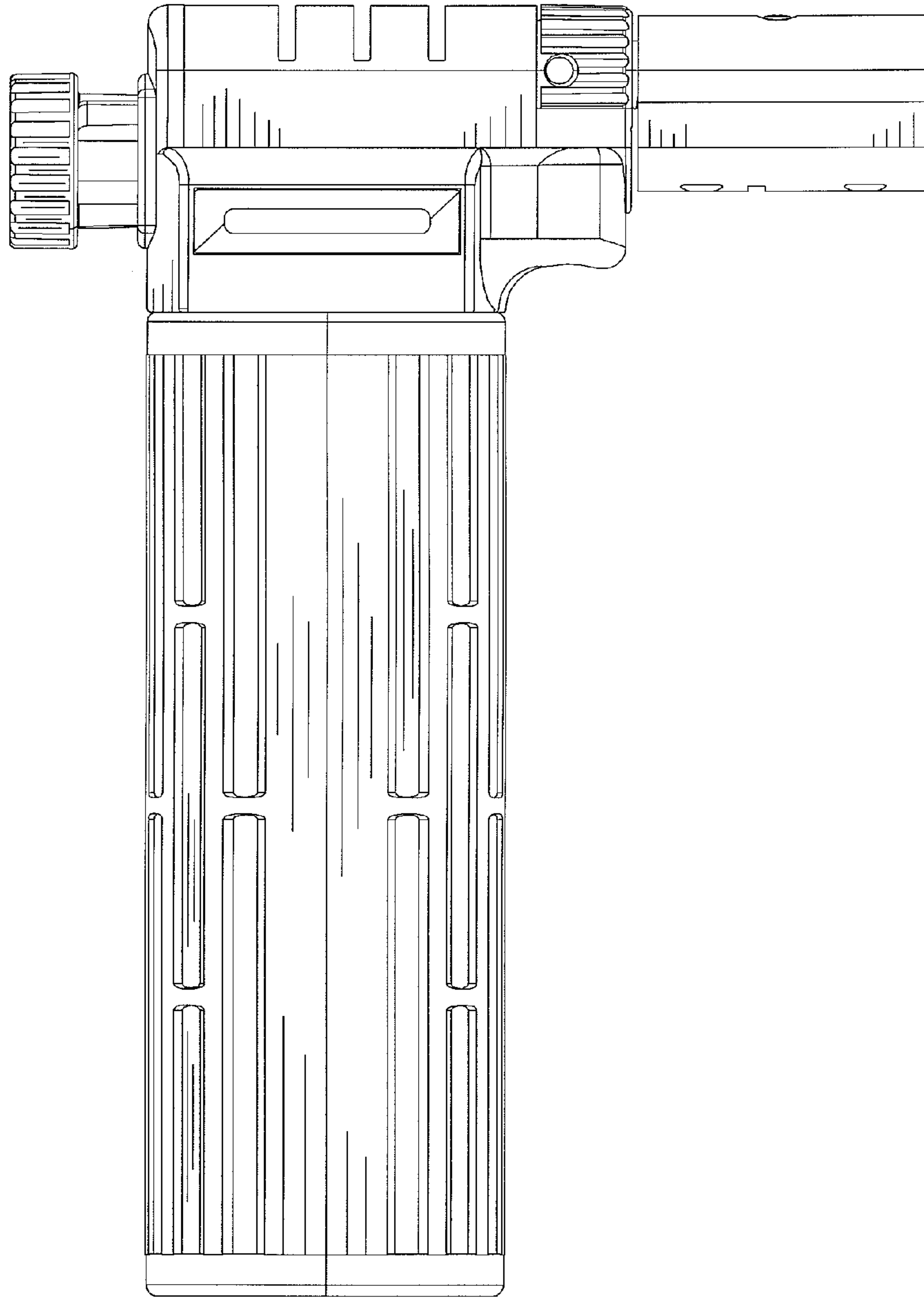


FIG. 3

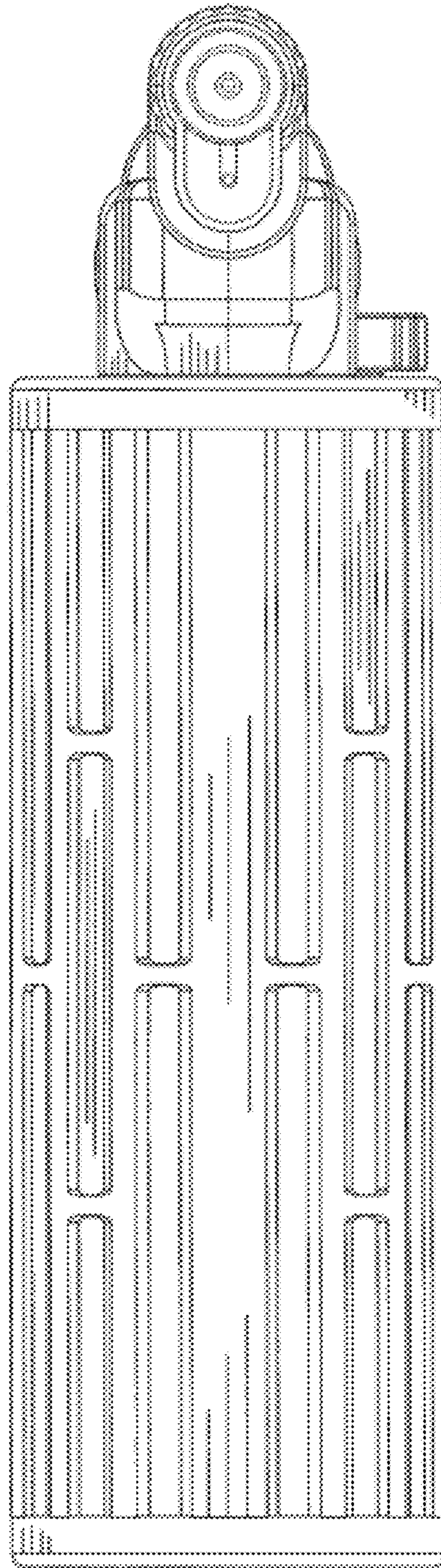


FIG. 4

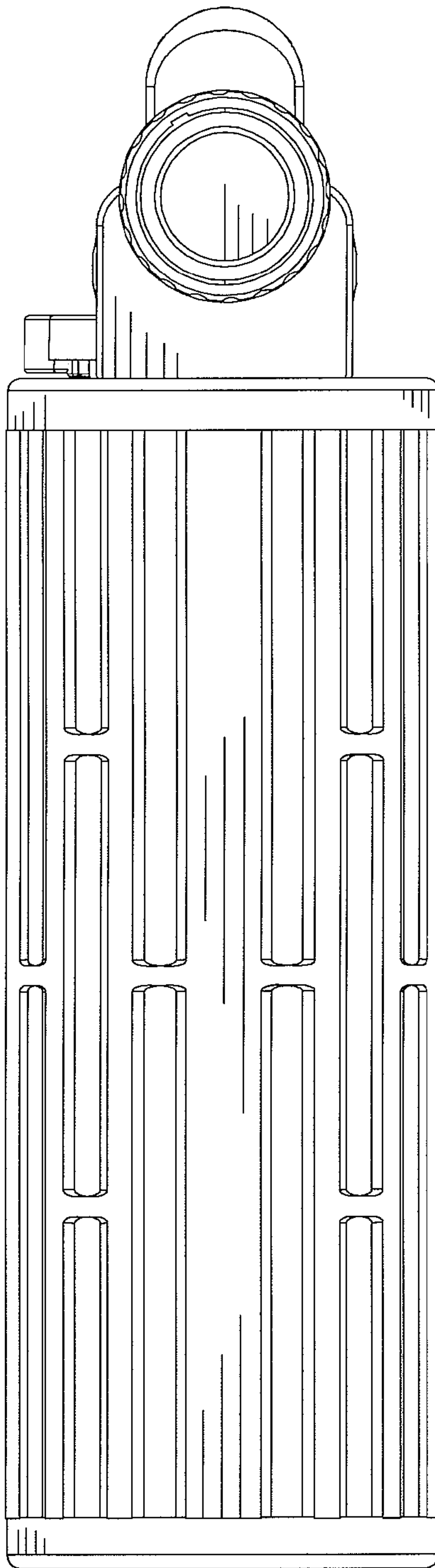


FIG. 5

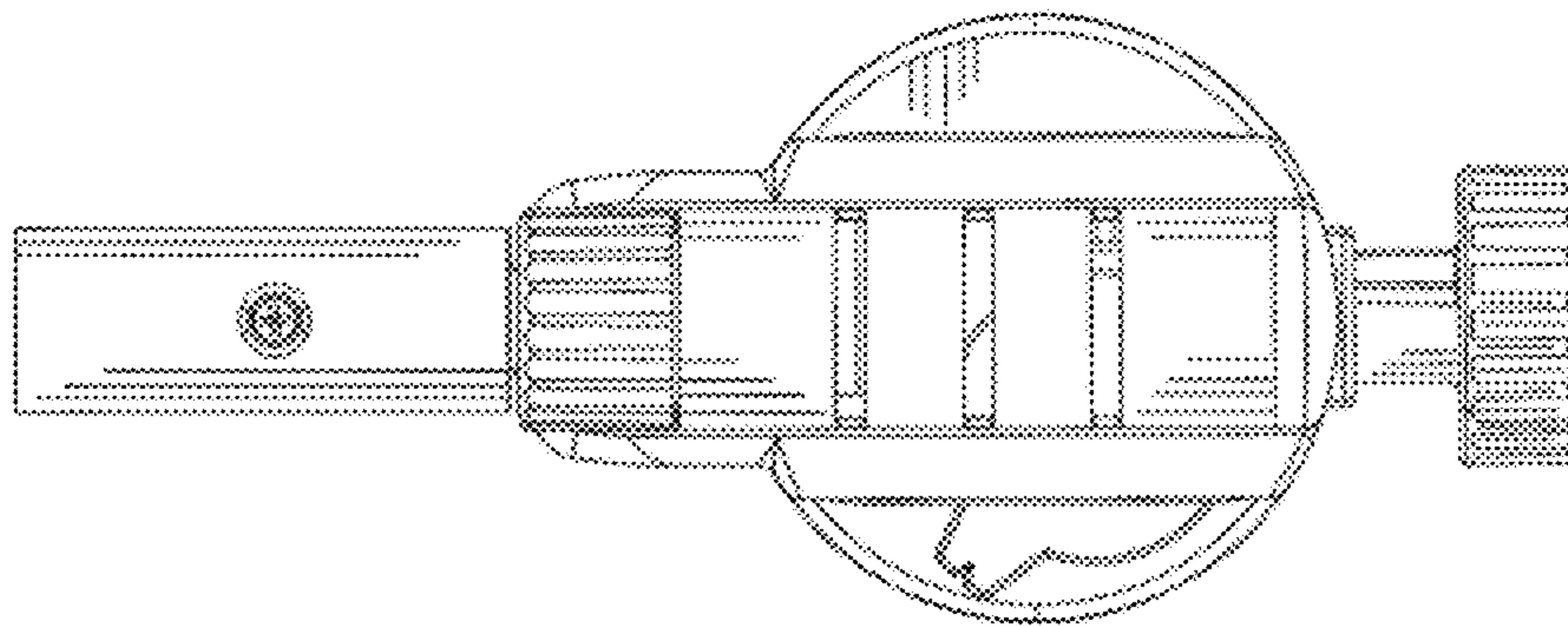


FIG. 6

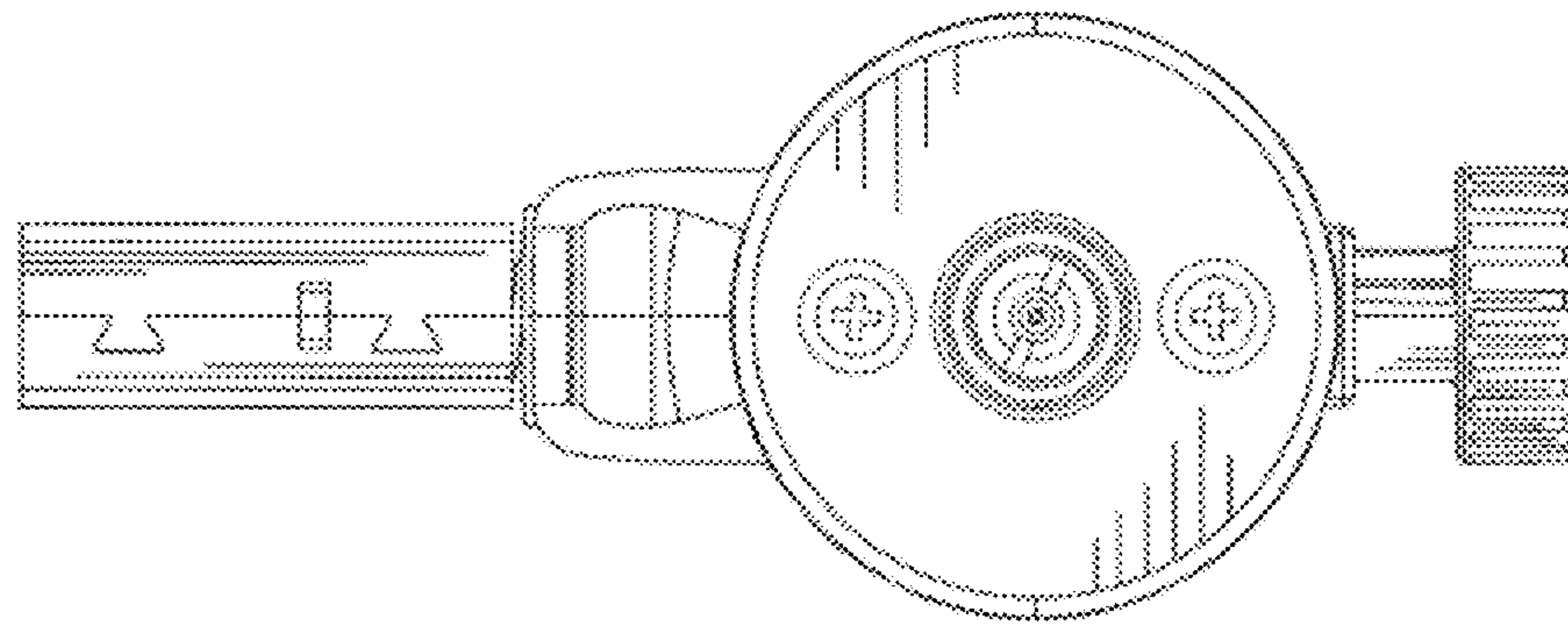


FIG. 7