



US00D667989S

(12) **United States Design Patent**  
**May**

(10) **Patent No.:** **US D667,989 S**

(45) **Date of Patent:** **\*\* Sep. 25, 2012**

(54) **MOTORCYCLE HEADLIGHT BEZEL COVER**

(75) Inventor: **Darron B. May**, Stillwater, MN (US)

(73) Assignee: **Kuryakyn Holdings, LLC**, Somerset, WI (US)

(\*\*) Term: **14 Years**

(21) Appl. No.: **29/374,208**

(22) Filed: **Jul. 14, 2011**

(51) **LOC (9) Cl.** ..... **26-99**

(52) **U.S. Cl.** ..... **D26/139**

(58) **Field of Classification Search** ..... D26/28-36,  
D26/139; 362/61, 80-83, 329-340

See application file for complete search history.

(56) **References Cited**

**U.S. PATENT DOCUMENTS**

D375,568 S \* 11/1996 Matthies ..... D26/28  
D576,764 S \* 9/2008 Hsiao ..... D26/139

D611,189 S \* 3/2010 Elliott et al. .... D26/139  
D639,502 S \* 6/2011 Heilaneh et al. .... D26/139  
D654,214 S \* 2/2012 Huang ..... D26/139

\* cited by examiner

*Primary Examiner* — Marcus Jackson

(74) *Attorney, Agent, or Firm* — Dicke, Billig & Czaja, PLLC

(57) **CLAIM**

The ornamental design for a motorcycle headlight bezel cover, as shown and described.

**DESCRIPTION**

FIG. 1 is a front perspective view of the motorcycle headlight bezel cover of the present invention.

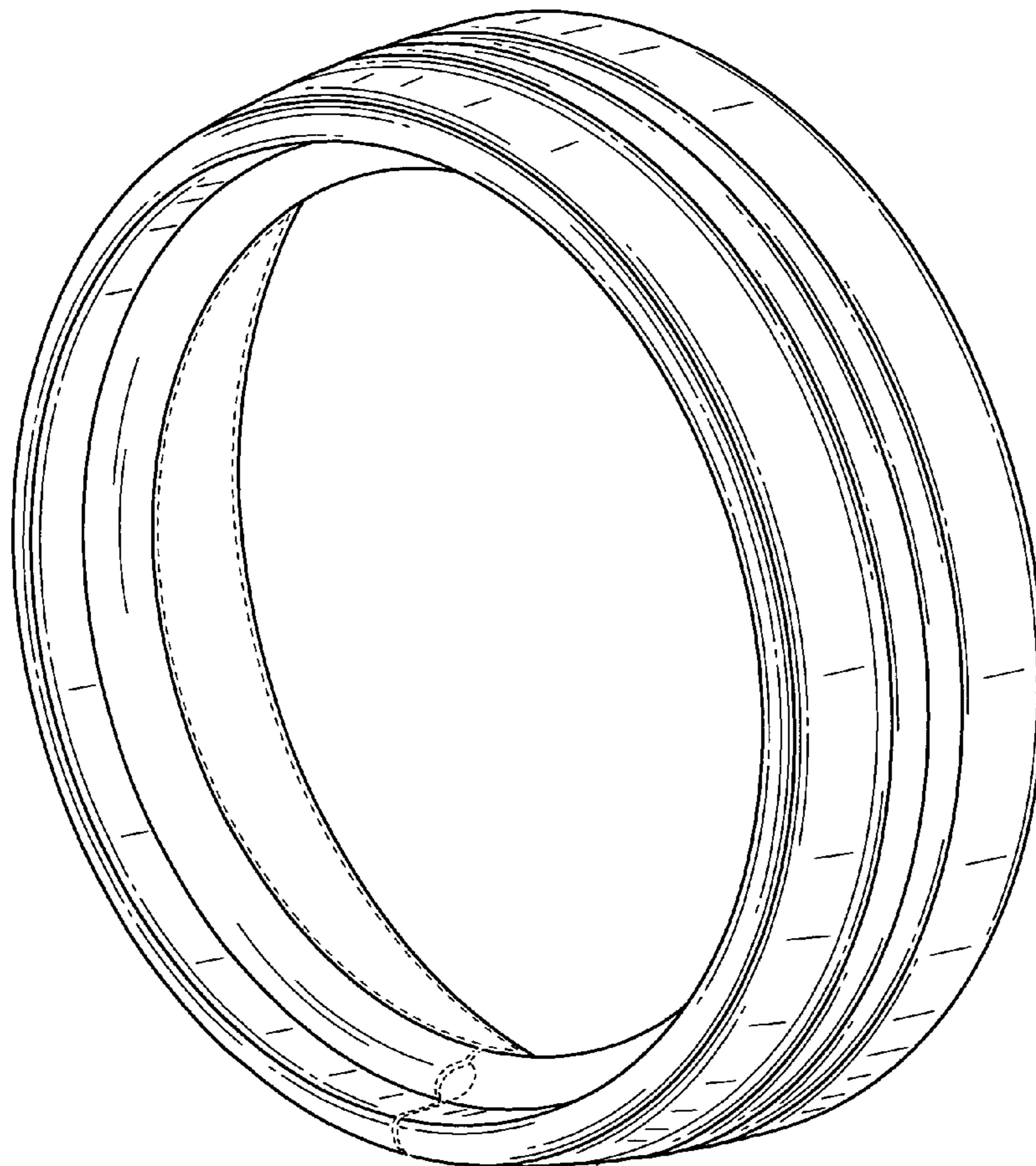
FIG. 2 is a front side view thereof.

FIG. 3 is a rear side view thereof; and,

FIG. 4 is a left side view thereof, the rights side view being a mirror image thereof.

The front surface and side surface portions and rear surface of the motorcycle headlight bezel cover shown in broken lines form no part of the claimed design.

**1 Claim, 4 Drawing Sheets**



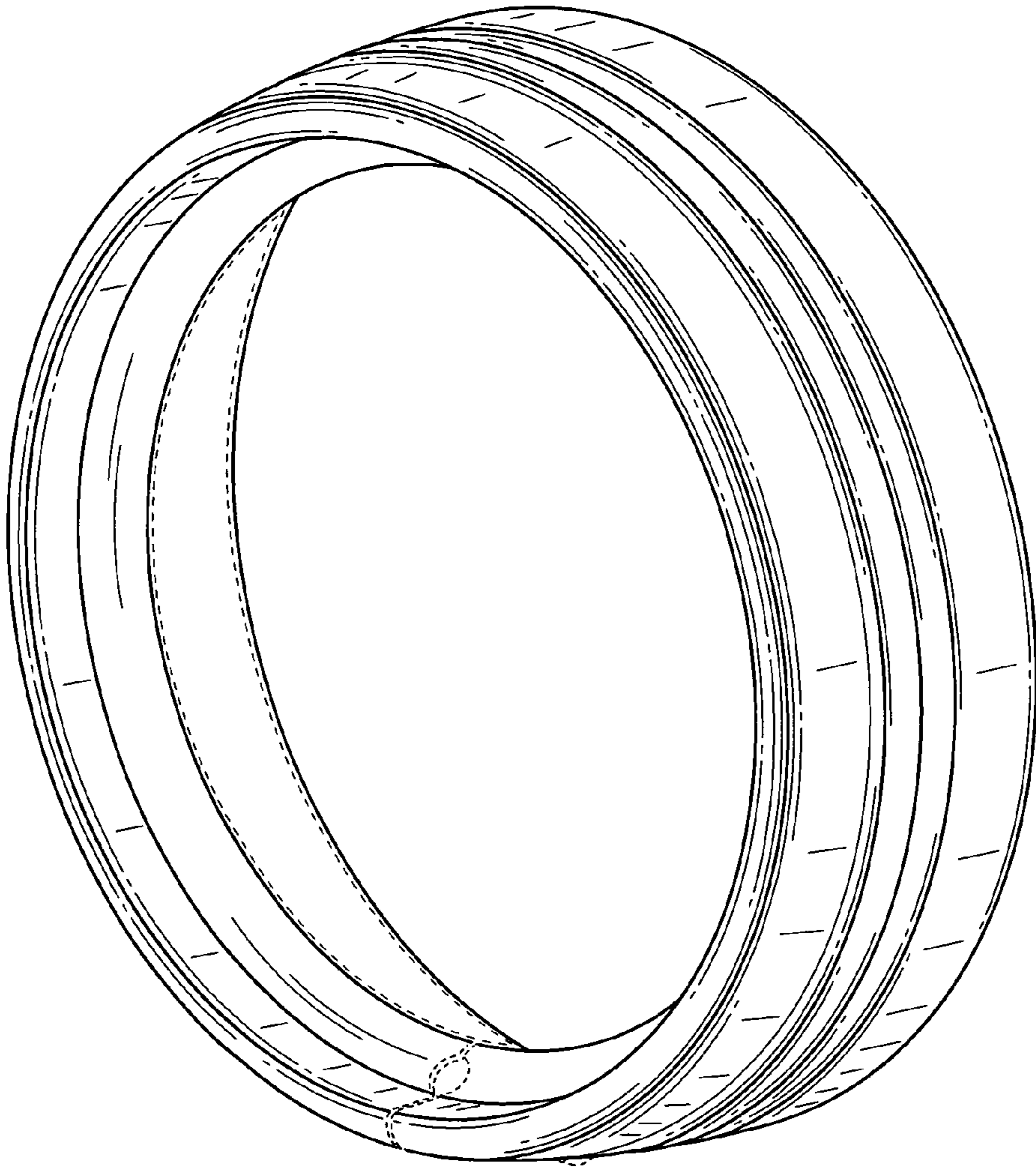
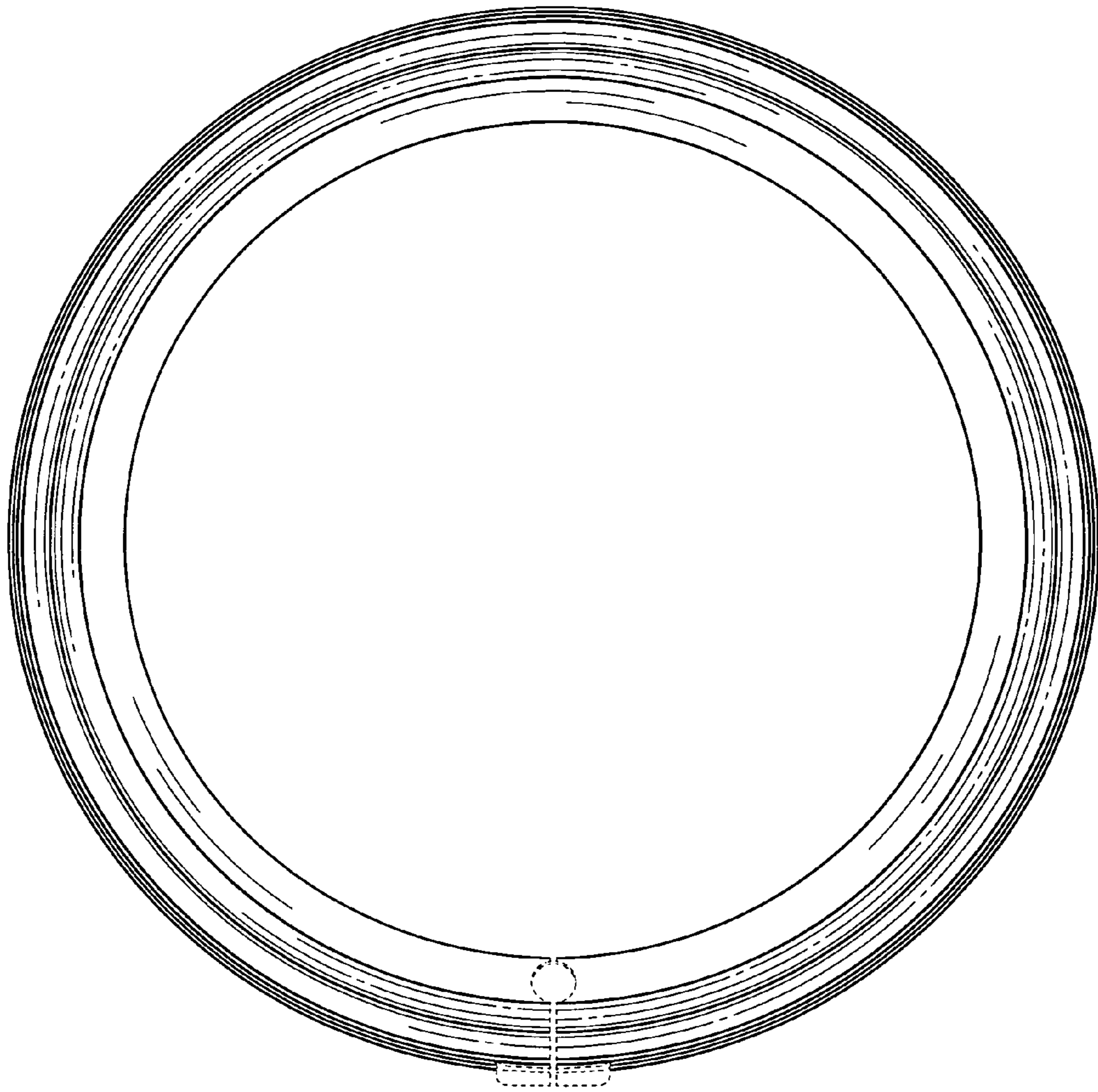
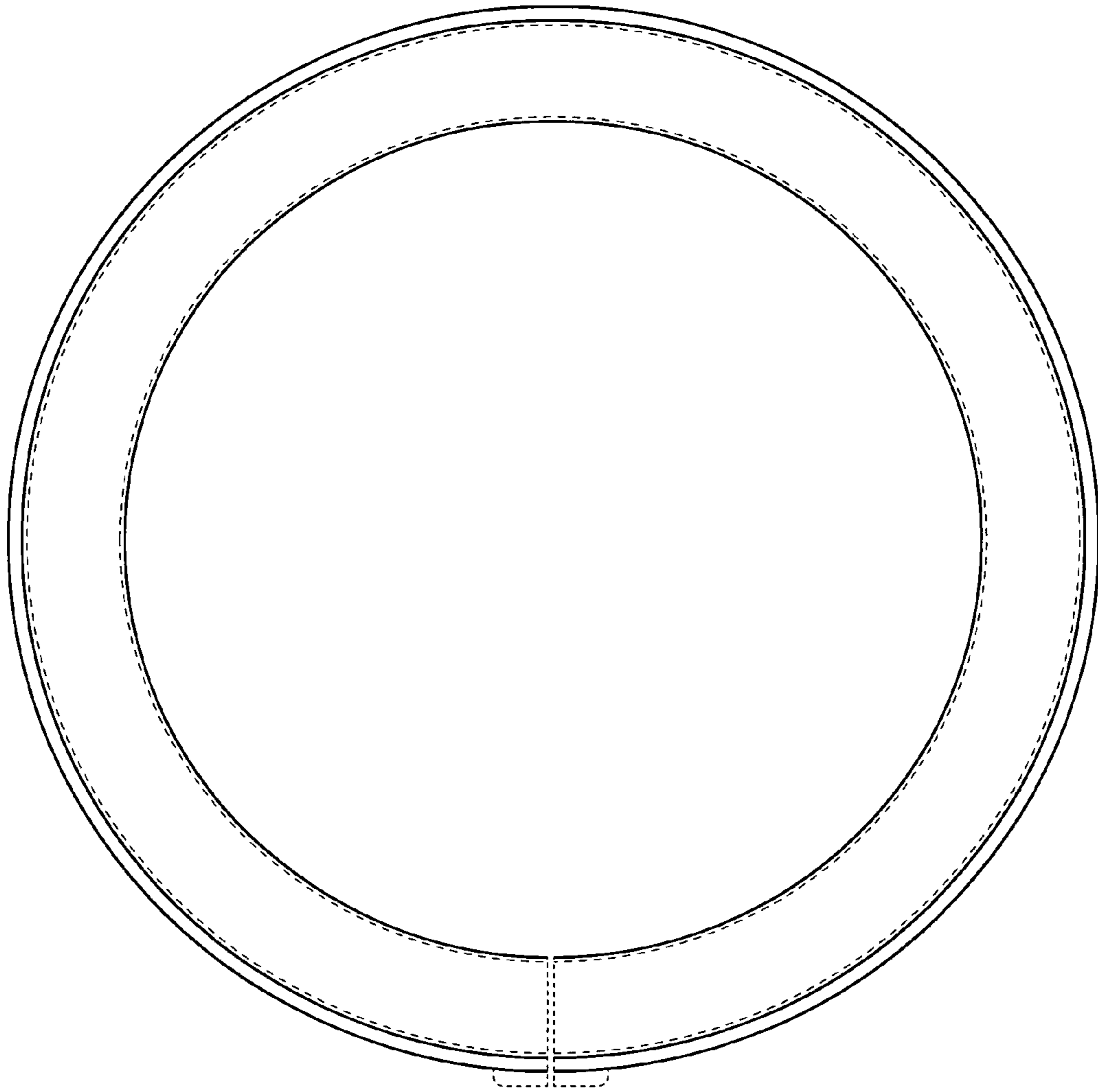


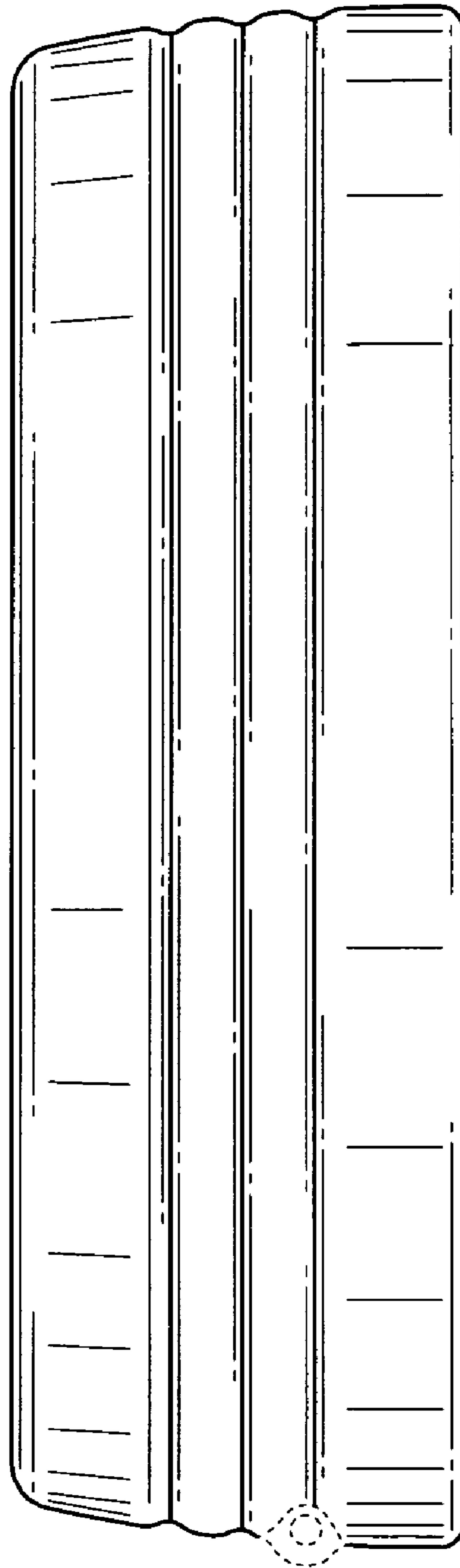
Fig. 1



**Fig. 2**



**Fig. 3**



**Fig. 4**