



US00D667983S

(12) **United States Design Patent**
Pickard et al.

(10) **Patent No.:** **US D667,983 S**
(45) **Date of Patent:** **** Sep. 25, 2012**

(54) **TROFFER-STYLE LIGHTING FIXTURE**
(75) Inventors: **Paul Kenneth Pickard**, Morrisville, NC (US); **Mark D. Edmond**, Raleigh, NC (US); **Dong Lu**, Cary, NC (US); **Gerald Negley**, Durham, NC (US); **Nick Nguyen**, Durham, NC (US); **Patrick John O'Flaherty**, Morrisville, NC (US); **Gary David Trott**, Morrisville, NC (US)

7,510,299 B2 3/2009 Timmermans et al. 362/225
D593,246 S * 5/2009 Fowler et al. D26/76
D604,446 S * 11/2009 Fowler et al. D26/76
D608,932 S * 1/2010 Castelli D26/76
D611,183 S * 3/2010 Duarte D26/76
7,712,918 B2 5/2010 Siemiet et al. 362/241
7,722,220 B2 5/2010 Van de Ven 362/294
D617,487 S * 6/2010 Fowler et al. D26/76

(Continued)

(73) Assignee: **Cree, Inc.**, Durham, NC (US)

FOREIGN PATENT DOCUMENTS

EP 1298383 A2 4/2003

(Continued)

(**) Term: **14 Years**

OTHER PUBLICATIONS

(21) Appl. No.: **29/387,172**

International Search Report and Written Opinion for Patent Application No. PCT/US2011/001517, dated: Feb. 27, 2012.

(22) Filed: **Mar. 9, 2011**

Primary Examiner — Angela J Lee

(51) **LOC (9) Cl.** **26-05**

(52) **U.S. Cl.** **D26/74**

(58) **Field of Classification Search** D26/72,
D26/74, 75, 76, 77, 78, 79, 80, 81, 82, 83,
D26/84, 85, 88, 89, 90, 122; 362/145, 146,
362/147, 148, 150, 151, 152, 153, 153.1,
362/217.01, 217.02, 217.05, 217.06, 217.07,
362/217.08, 217.09, 217.1, 217.11, 249.02,
362/260, 296.07, 311.02

Attorney, Agent, or Firm — Koppel, Patrick, Heybl & Philpott

(57) **CLAIM**

The ornamental design for a troffer-style lighting fixture, as shown and described.

See application file for complete search history.

DESCRIPTION

(56) **References Cited**

U.S. PATENT DOCUMENTS

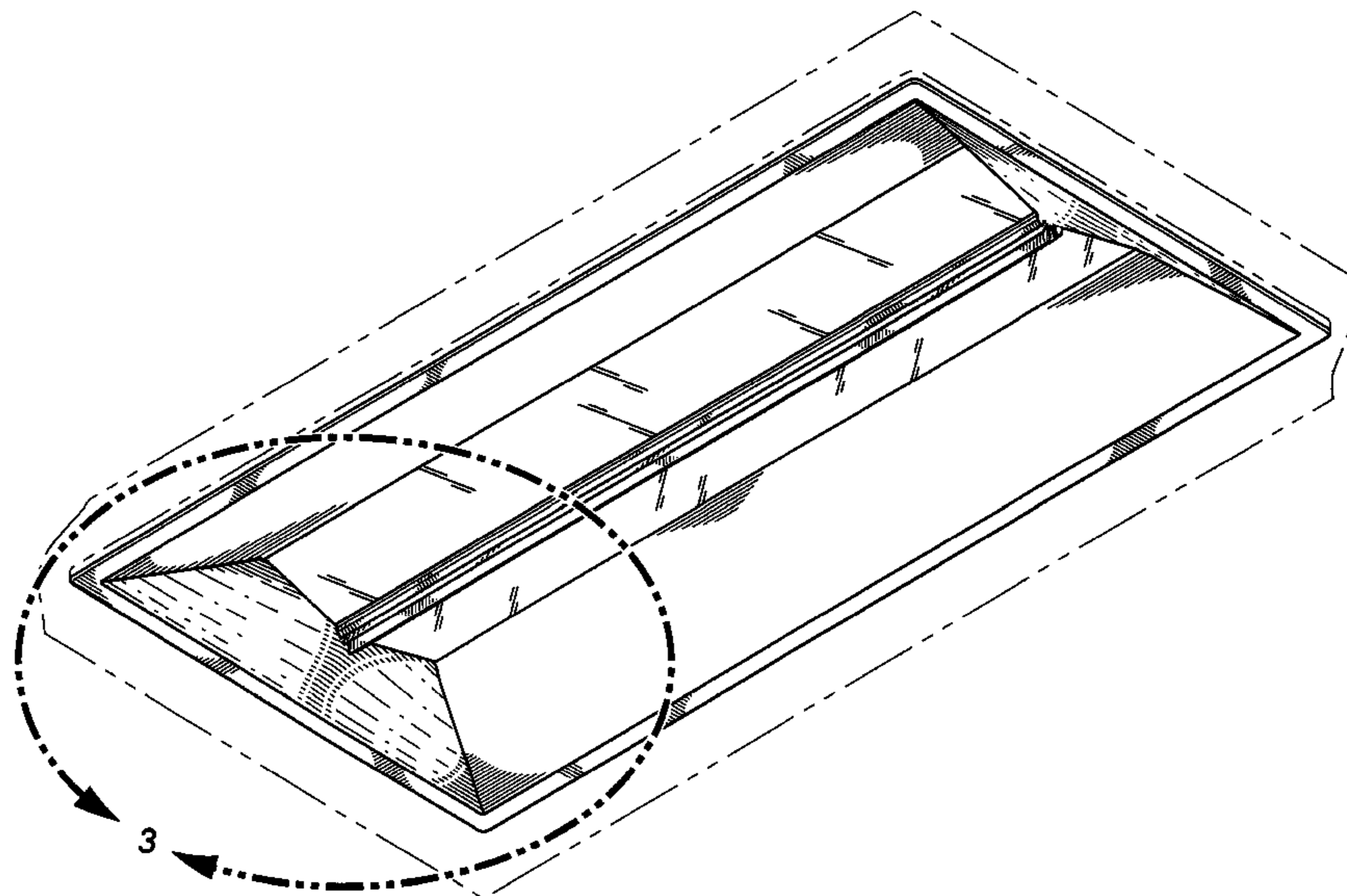
D85,382 S * 10/1931 Guth D26/24
5,823,663 A 10/1998 Bell et al. 362/362
D407,473 S * 3/1999 Wimbock D23/328
6,210,025 B1 4/2001 Schmidt et al. 362/362
6,523,974 B2 * 2/2003 Engel 362/224
D496,121 S * 9/2004 Santoro D26/74
7,049,761 B2 5/2006 Timmermans et al. 315/246
7,213,940 B1 5/2007 Van de Ven et al. 362/231
D556,358 S * 11/2007 Santoro D26/74

FIG. 1 is a perspective view from the bottom side of a troffer-style lighting fixture according to an embodiment of the present invention.

FIG. 2 is a bottom plan view of a troffer-style lighting fixture according to an embodiment of the present invention; and, FIG. 3 is an enlarged view of a portion of a troffer-style lighting fixture according to an embodiment of the present invention.

The broken lines shown in FIGS. 1-3 depict environmental subject matter only and form no part of the claimed design.

1 Claim, 3 Drawing Sheets



US D667,983 S

Page 2

U.S. PATENT DOCUMENTS

7,768,192 B2 8/2010 Van de Ven et al. 313/503
7,815,338 B2 10/2010 Siemiet et al. 362/218
D633,247 S * 2/2011 Kong et al. D26/88
D653,376 S * 1/2012 Kong et al. D26/76
8,092,049 B2 1/2012 Kinnune et al. 362/294
2004/0001344 A1 1/2004 Hecht
2007/0115670 A1 5/2007 Roberts et al.
2007/0115671 A1 5/2007 Roberts et al.

2007/0211457 A1* 9/2007 Mayfield et al. 362/223
2009/0323334 A1 12/2009 Roberts et al.
2011/0199005 A1 8/2011 Bretschneider et al.
2011/0199769 A1 8/2011 Bretschneider et al.

FOREIGN PATENT DOCUMENTS

EP 1847762 A2 10/2007
WO WO2011/140353 A2 11/2011

* cited by examiner

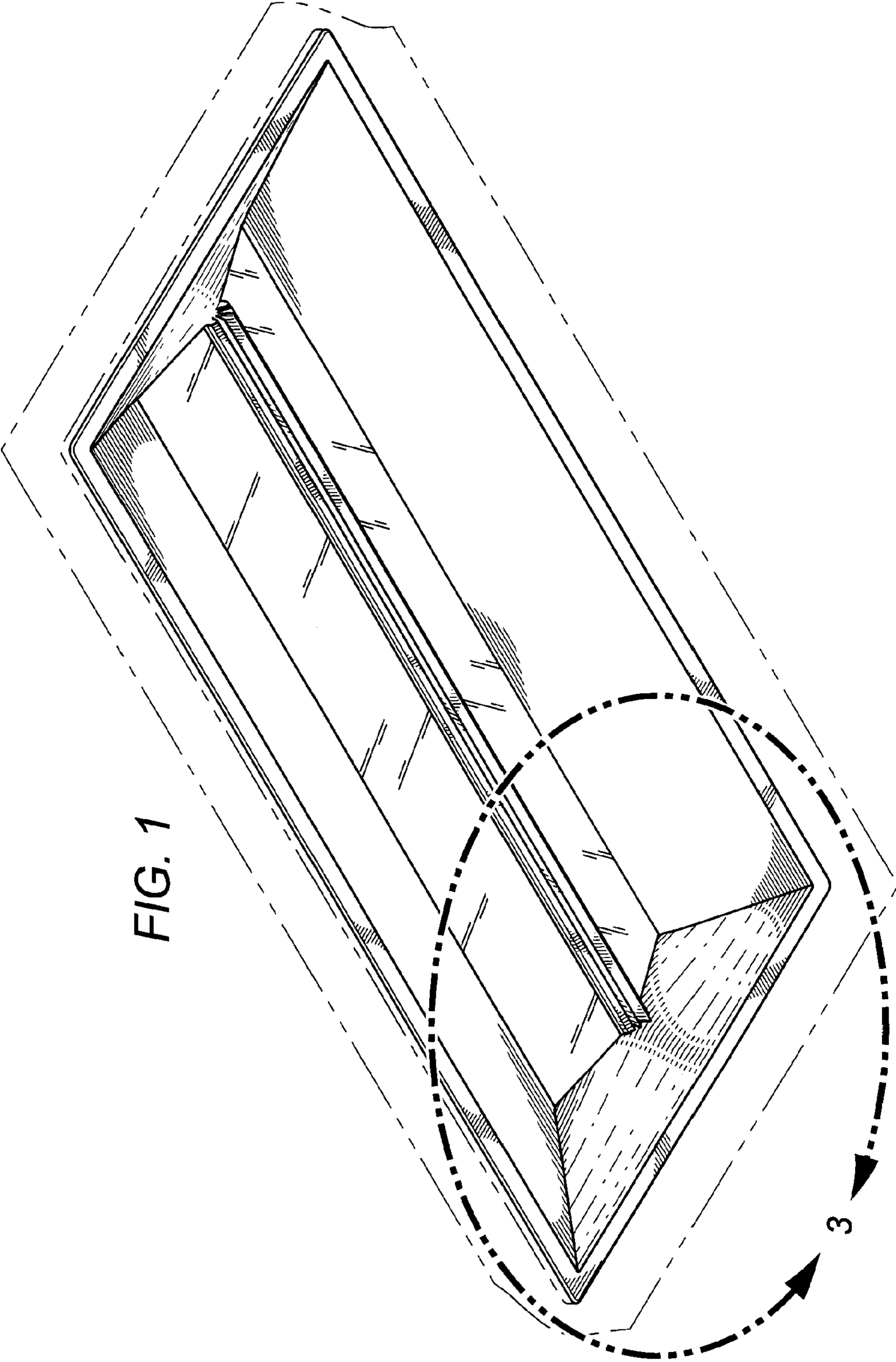
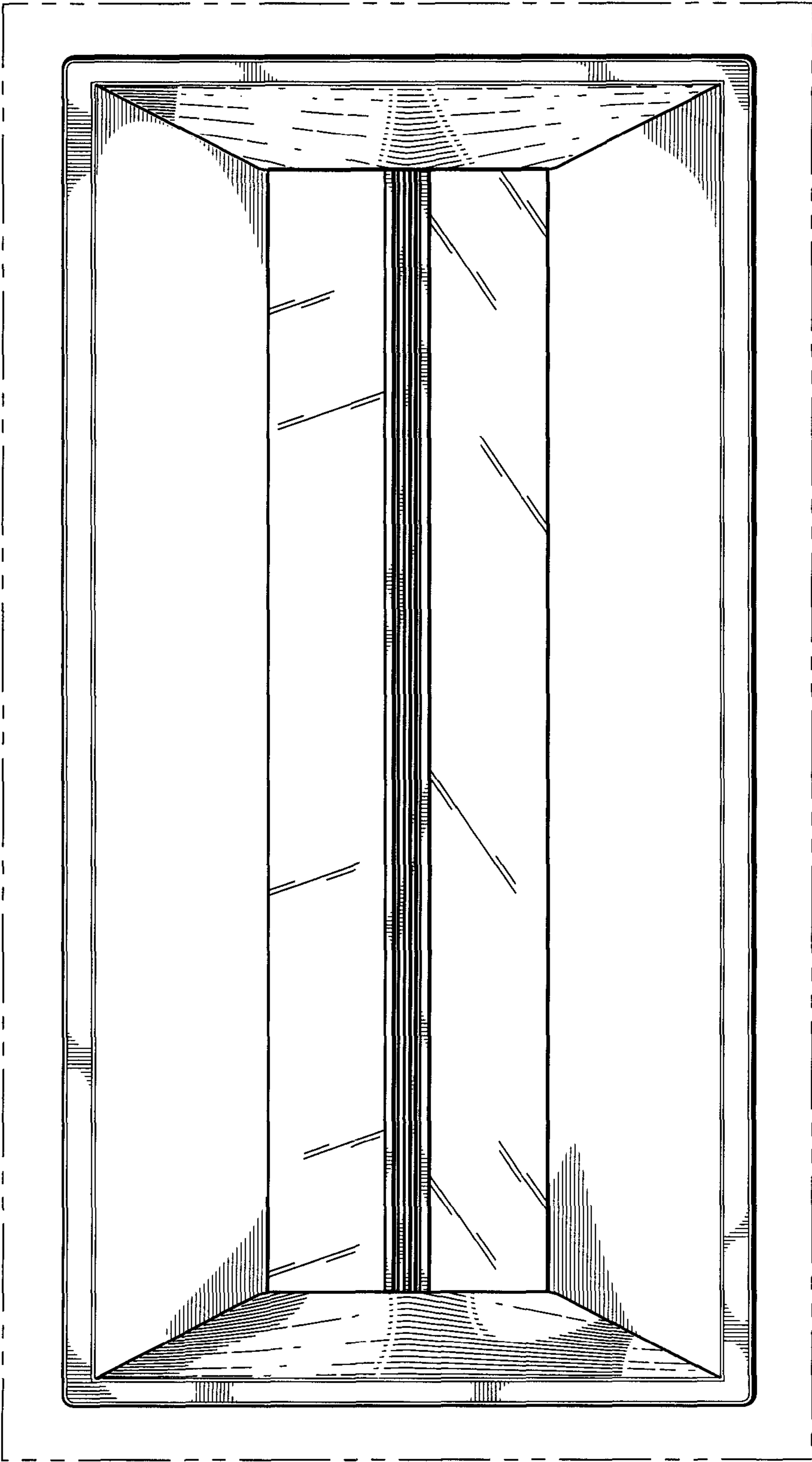


FIG. 1

FIG. 2



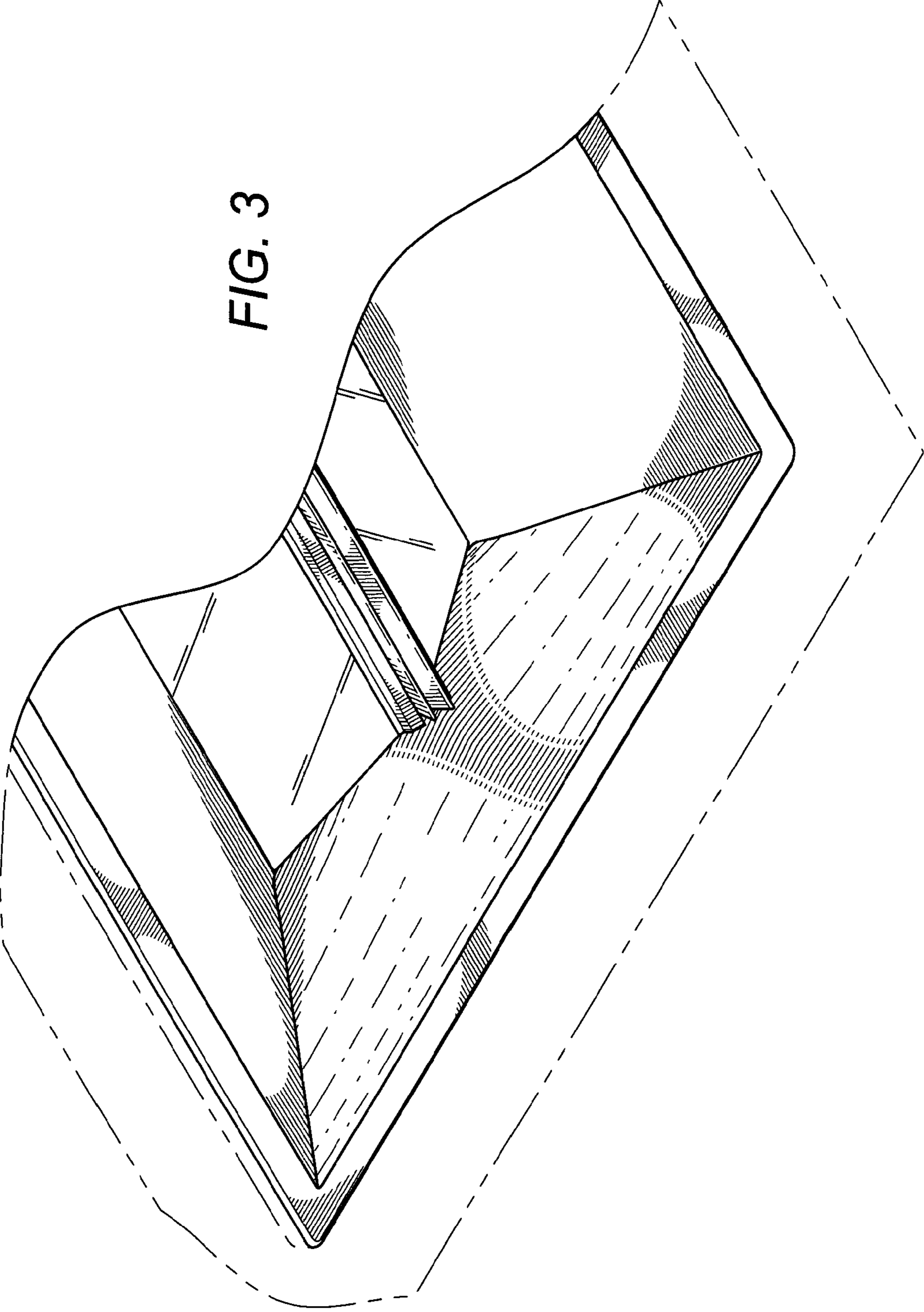


FIG. 3