



US00D667982S

(12) **United States Design Patent**
Meda et al.

(10) **Patent No.:** **US D667,982 S**
(45) **Date of Patent:** **** Sep. 25, 2012**

(54) **DESK LAMP**

(75) Inventors: **Alberto Meda**, Milan (IT); **Paolo Rizzatto**, Milan (IT)

(73) Assignee: **Luceplan SpA**, Milan (IT)

(**) Term: **14 Years**

(21) Appl. No.: **29/403,276**

(22) Filed: **Oct. 4, 2011**

(30) **Foreign Application Priority Data**

Apr. 5, 2011 (EM) 001846007-0005

(51) **LOC (9) Cl.** **26-05**

(52) **U.S. Cl.** **D26/65**

(58) **Field of Classification Search** D26/93,
D26/106-109; 362/157, 171-178, 401, 800,
362/806, 198, 273, 289, 311.02, 410-414,
362/418, 274, 275, 277, 278, 280-285, 269,
362/270, 287, 288, 419, 427, 449, 190

See application file for complete search history.

(56) **References Cited**

U.S. PATENT DOCUMENTS

D310,886 S * 9/1990 Gismondi et al. D26/65
D312,887 S * 12/1990 Magistretti D26/65
D325,648 S * 4/1992 Cerbini D26/65
D579,597 S * 10/2008 Ng D26/61
D628,729 S * 12/2010 Citterio D26/65

OTHER PUBLICATIONS

Luceplan Berenice LED lamp, circa 2007. [Retrieved on Apr. 26, 2012]. Retrieved from the Internet <URL: <http://www.luceplan.com/Prodotti/1/2/158/t/84/Berenice-LED>>.*

* cited by examiner

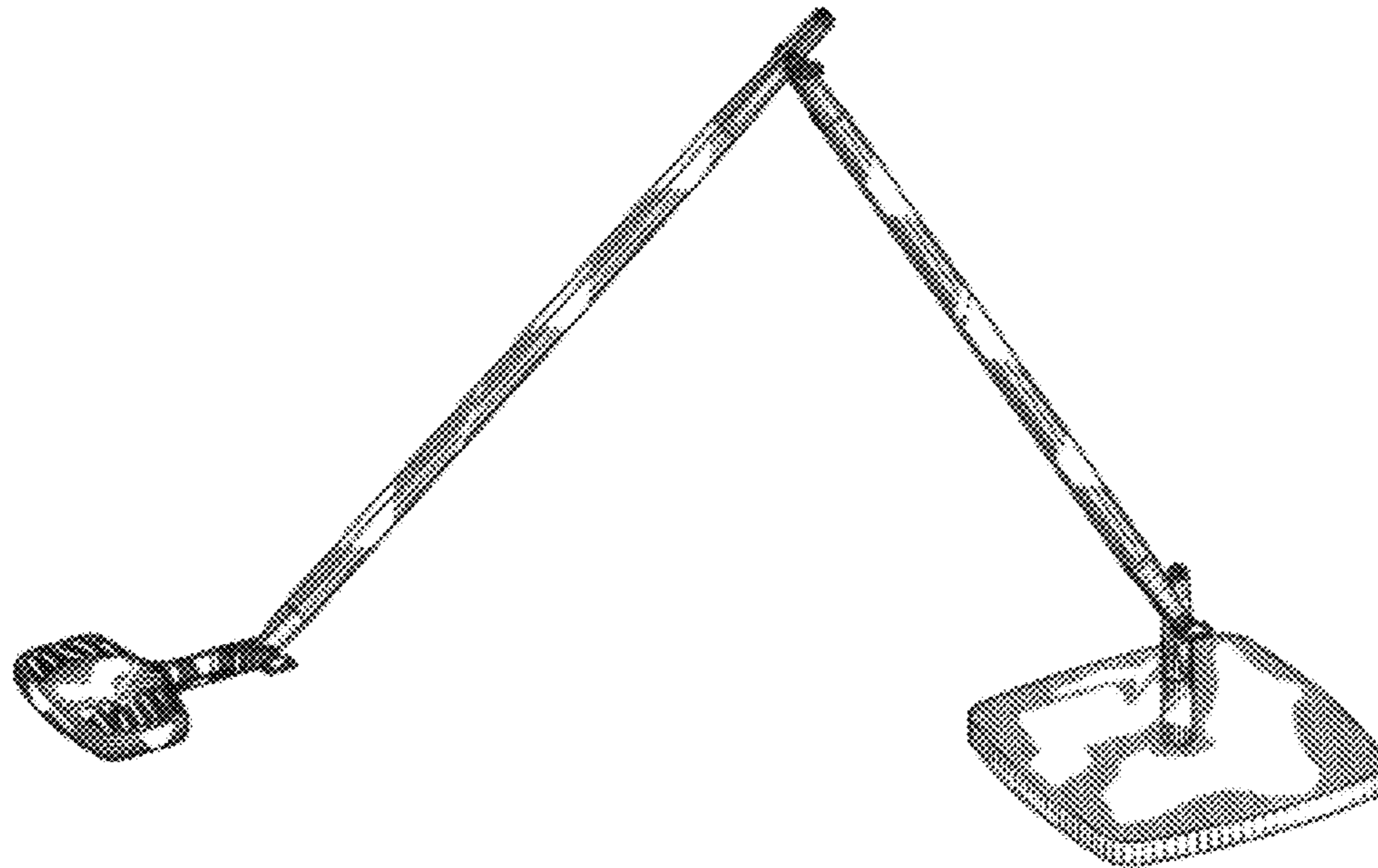
Primary Examiner — Susan M Lee
Assistant Examiner — Linda G. Brooks

(57) **CLAIM**
The ornamental design for a desk lamp, as shown.

DESCRIPTION

FIG. 1 is a perspective view showing my design;
FIG. 2 is a front elevational view thereof;
FIG. 3 is a rear elevational view thereof;
FIG. 4 is a right side elevational view thereof;
FIG. 5 is a left side elevational view thereof;
FIG. 6 is a top plan view thereof; and,
FIG. 7 is a bottom plan view thereof.

1 Claim, 4 Drawing Sheets



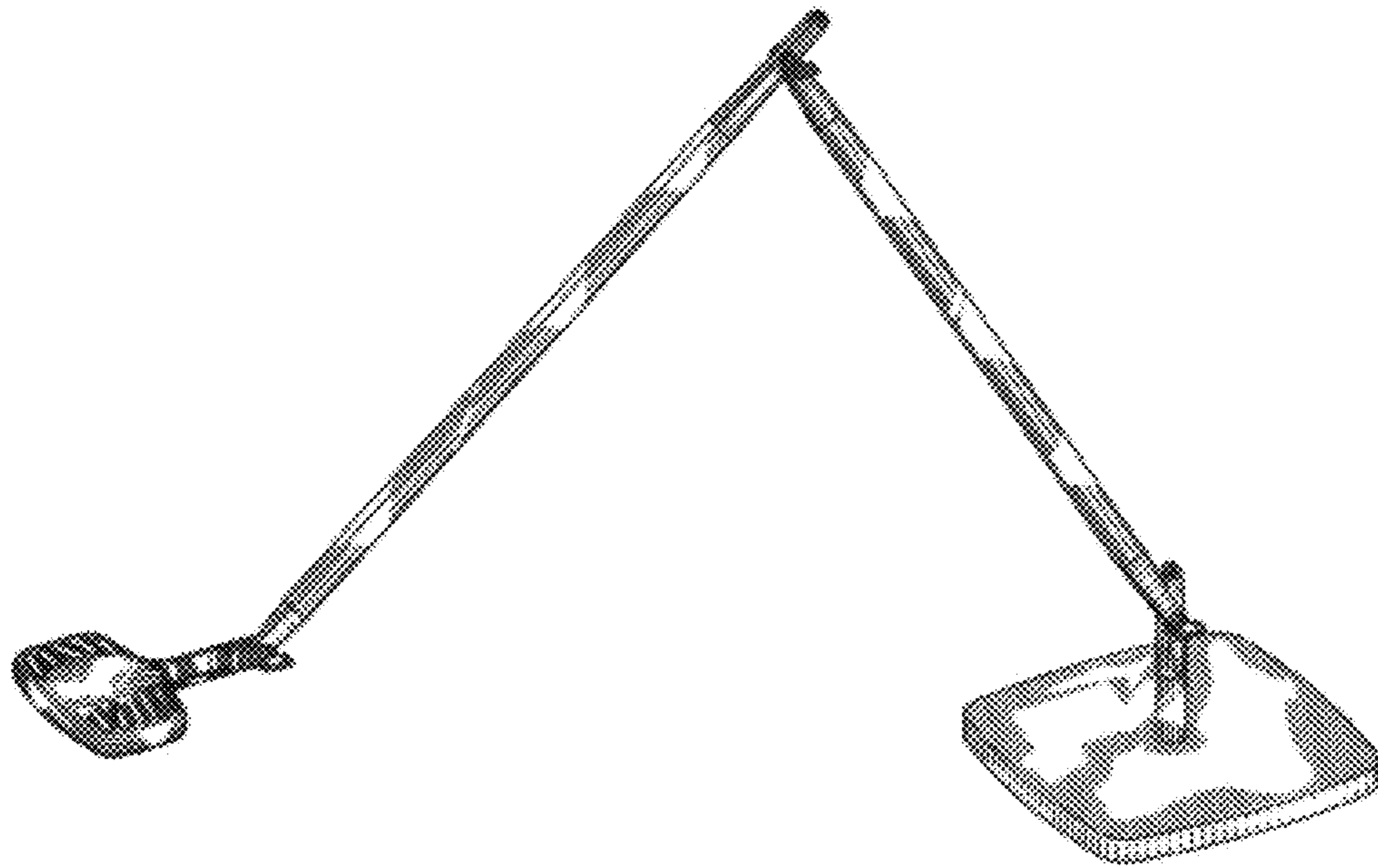


FIG.1

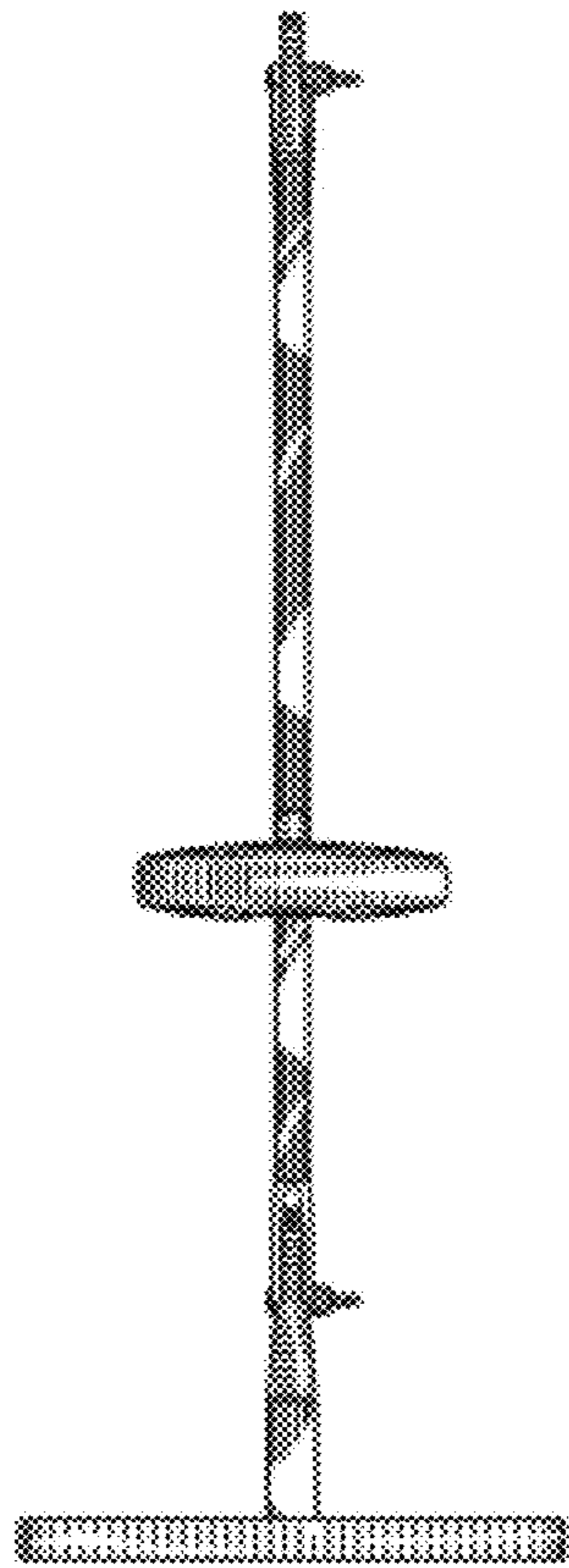


FIG. 2

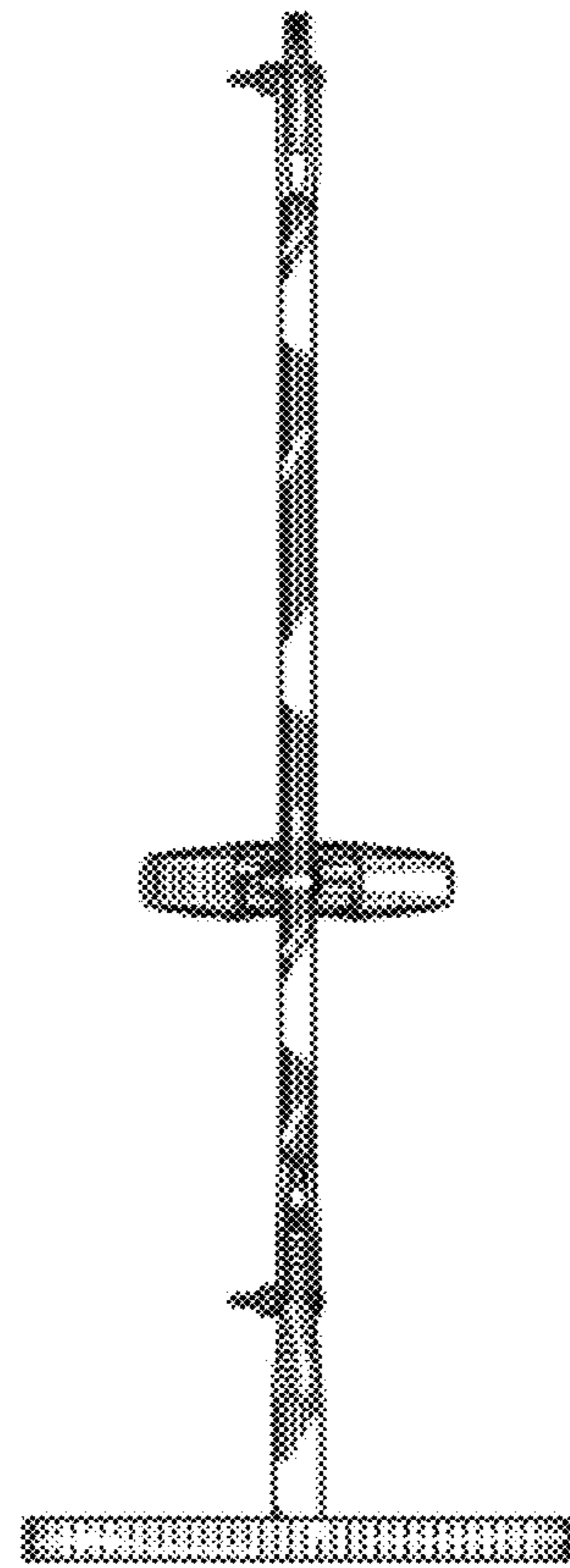


FIG. 3

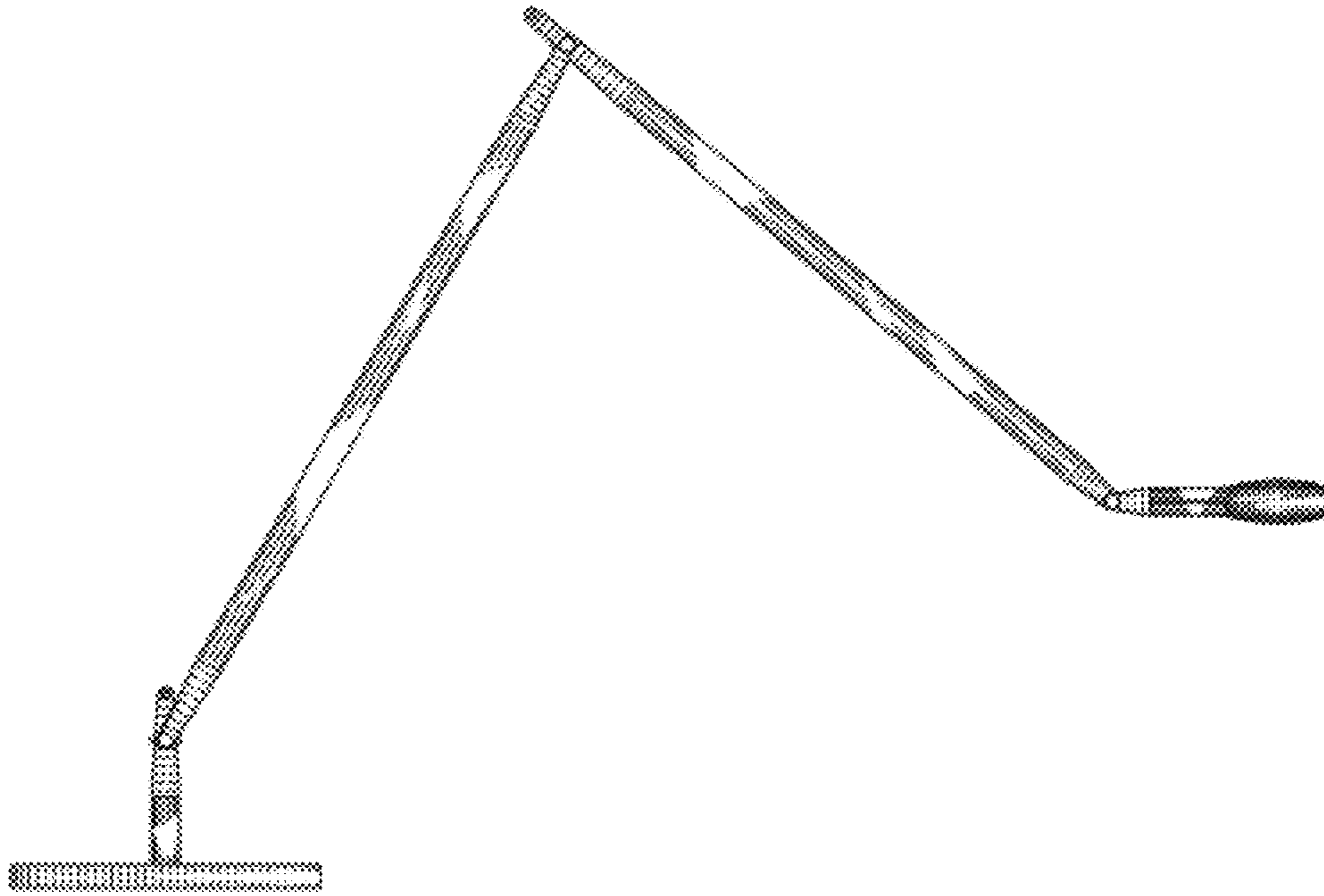


FIG. 4

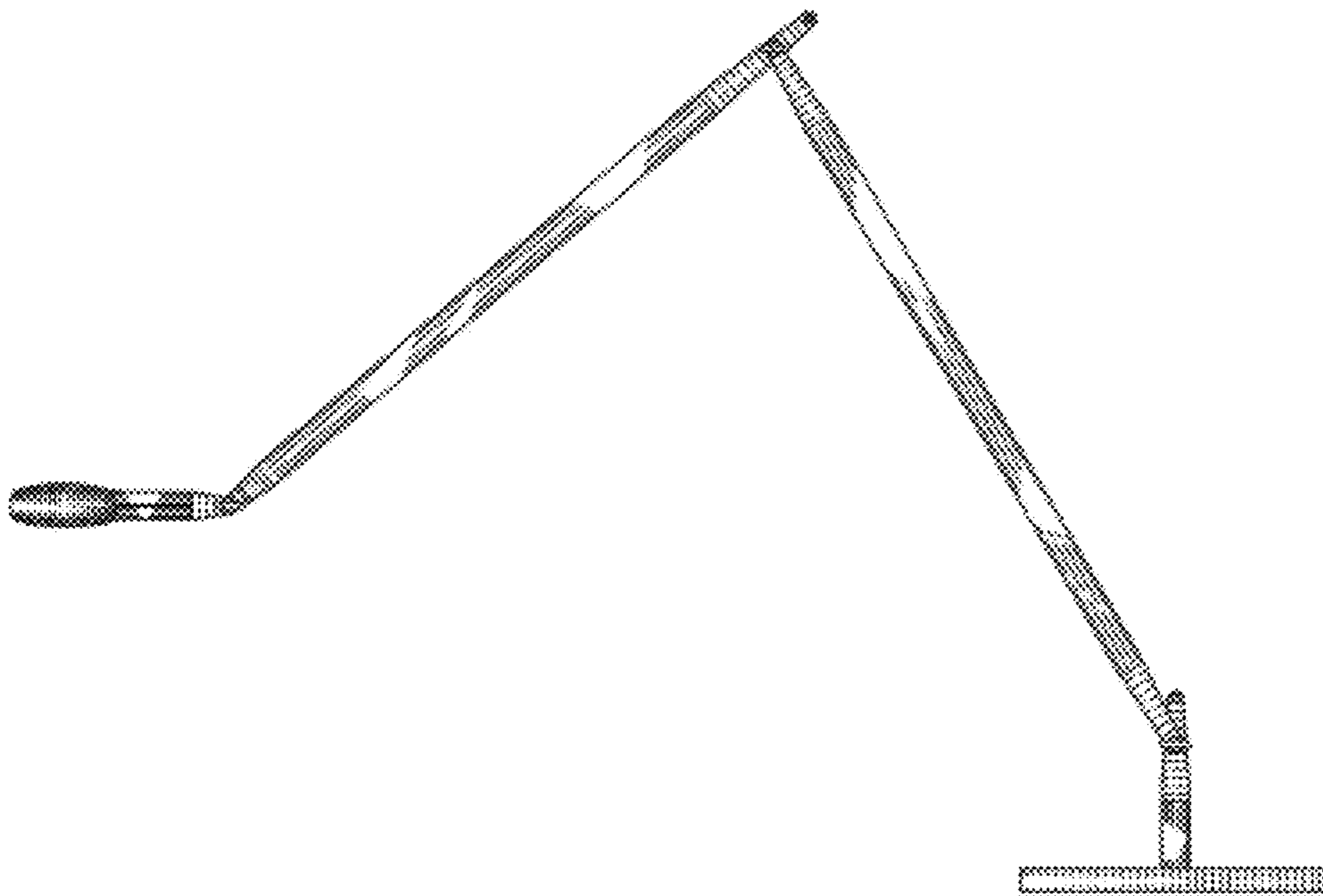


FIG. 5

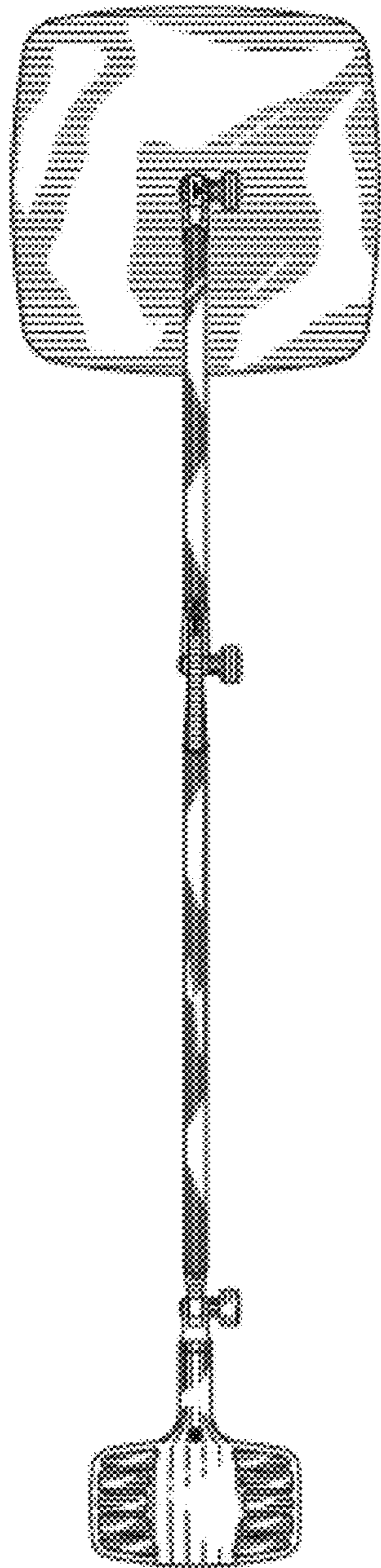


FIG. 6

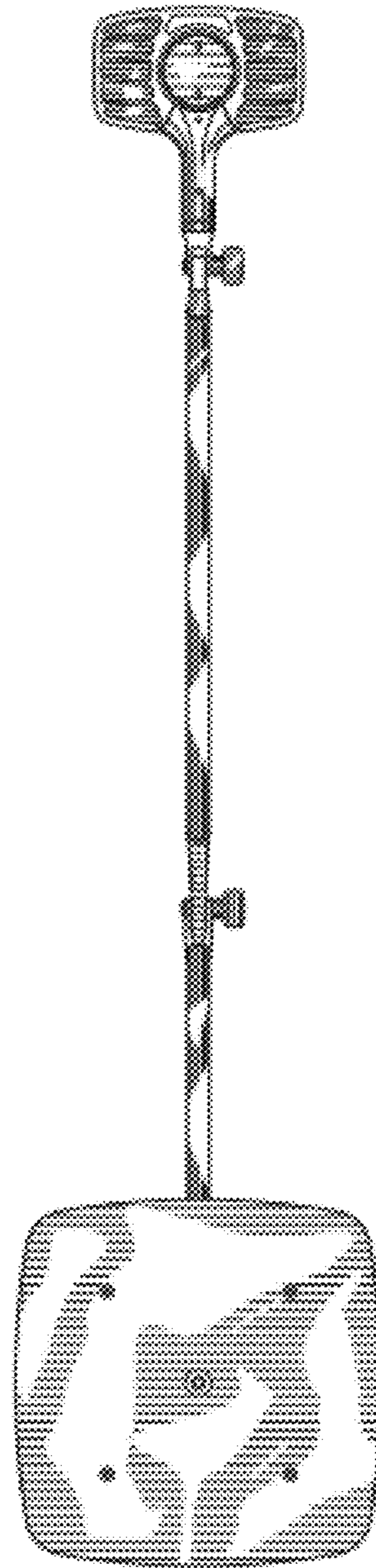


FIG. 7