



US00D667981S

(12) **United States Design Patent**
Connolly et al.

(10) **Patent No.:** **US D667,981 S**
(45) **Date of Patent:** **** Sep. 25, 2012**

(54) **LIGHT FIXTURE**

(75) Inventors: **Karl L. Connolly**, Brigham City, UT (US); **Landon T. Gwilliam**, Salt Lake City, UT (US)

(73) Assignee: **Orbit Irrigation Products, Inc.**, North Salt Lake, UT (US)

(**) Term: **14 Years**

(21) Appl. No.: **29/412,141**

(22) Filed: **Jan. 31, 2012**

(51) **LOC (9) Cl.** **26-05**

(52) **U.S. Cl.** **D26/63; D26/67**

(58) **Field of Classification Search** D26/60-66,
D26/67-72, 83, 85, 87, 89, 92, 121-124,
D26/128-138; 362/153.1, 152, 159, 183,
362/184, 185, 187, 431, 276, 273, 289, 153,
362/271, 269, 270, 274, 275, 277, 278, 282,
362/284, 285, 287, 418, 427

See application file for complete search history.

(56) **References Cited**

U.S. PATENT DOCUMENTS

D370,070 S *	5/1996	Kay	D26/67
D414,579 S *	9/1999	Denison et al.	D26/68
D417,519 S *	12/1999	Cutler	D26/63
D424,731 S *	5/2000	Landefeld	D26/68
D495,079 S *	8/2004	Mullen	D26/63

D518,909 S *	4/2006	Mullen	D26/61
D519,662 S *	4/2006	Mullen	D26/61
D590,979 S *	4/2009	Mullen	D26/63

OTHER PUBLICATIONS

Excerpts of Kichler Lighting Catalog (Attachment A hereto) published at least by Summer of 2009.

* cited by examiner

Primary Examiner — Susan M Lee

Assistant Examiner — Linda G. Brooks

(74) *Attorney, Agent, or Firm* — Austin Rapp & Hardman

(57) **CLAIM**

The ornamental design for a light fixture, as shown and described.

DESCRIPTION

FIG. 1 is an elevated perspective view of a light fixture, according to our new design;

FIG. 2 is a lower perspective view of the light fixture;

FIG. 3 is a first side view of the light fixture;

FIG. 4 is a second side view of the light fixture;

FIG. 5 is a bottom view of the light fixture;

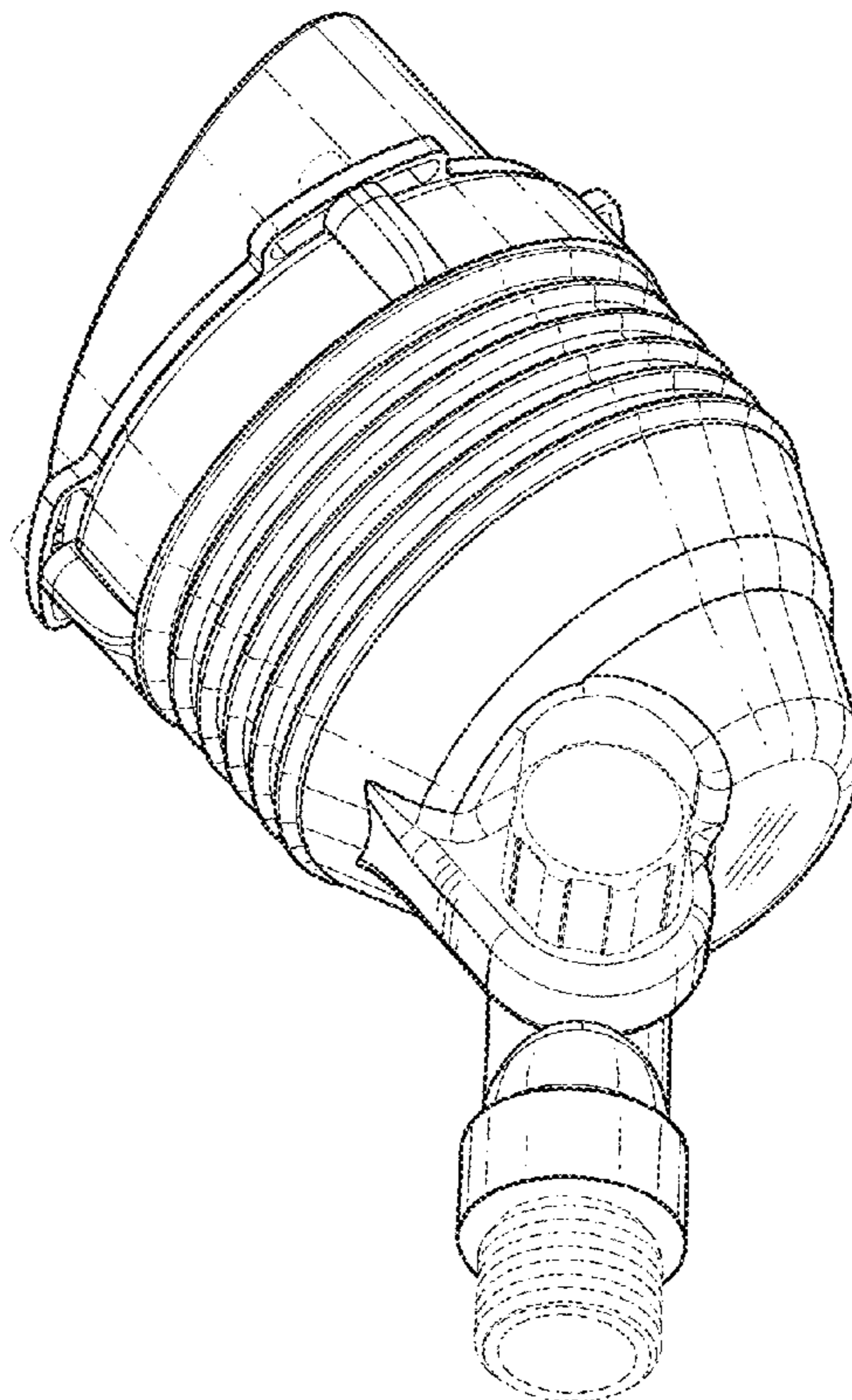
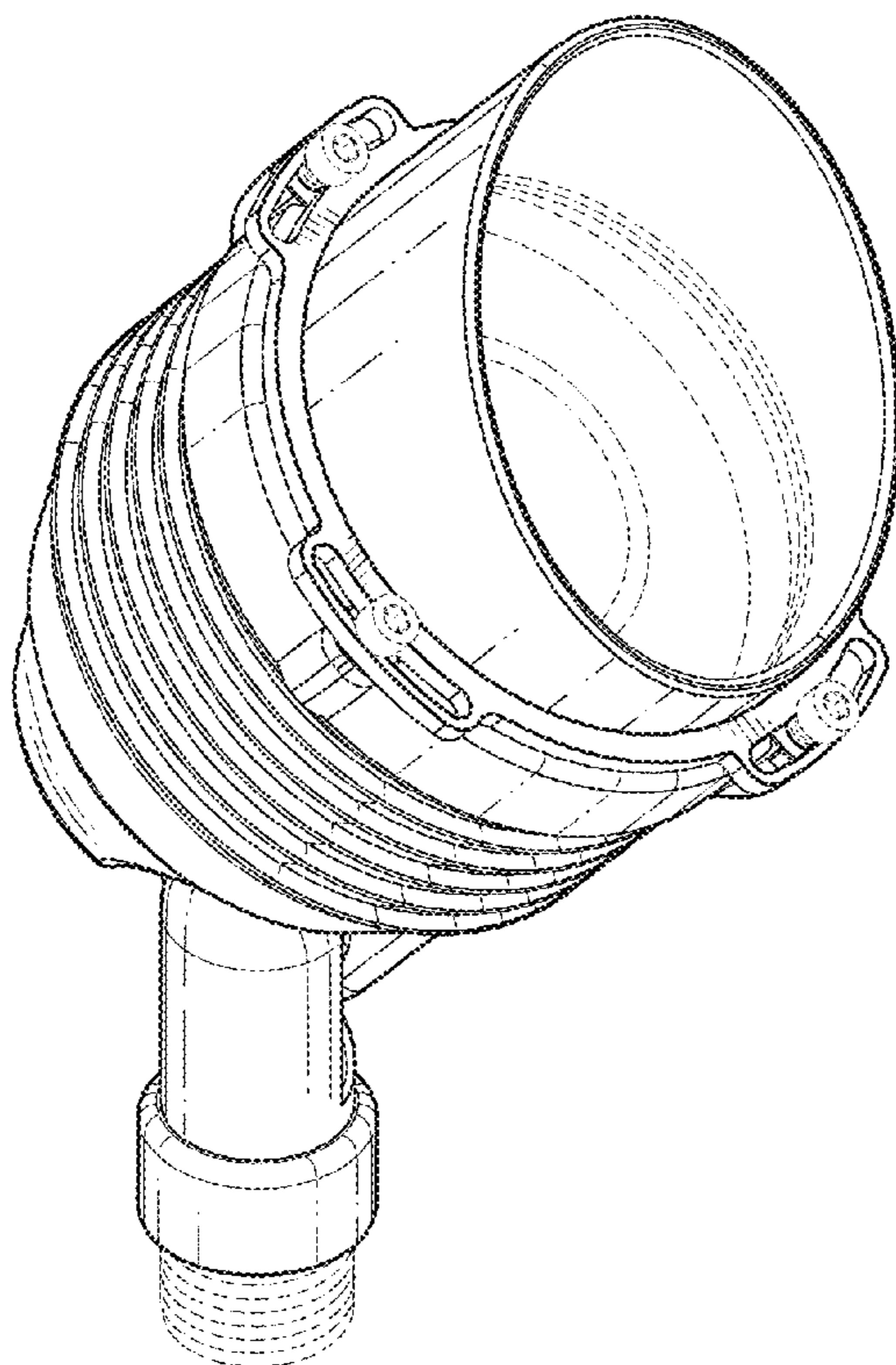
FIG. 6 is a top view of the light fixture;

FIG. 7 is a rear view of the light fixture; and,

FIG. 8 is a front view of the light fixture.

The portions shown in broken lines comprise environmental structure only and form no part of the claimed design.

1 Claim, 4 Drawing Sheets



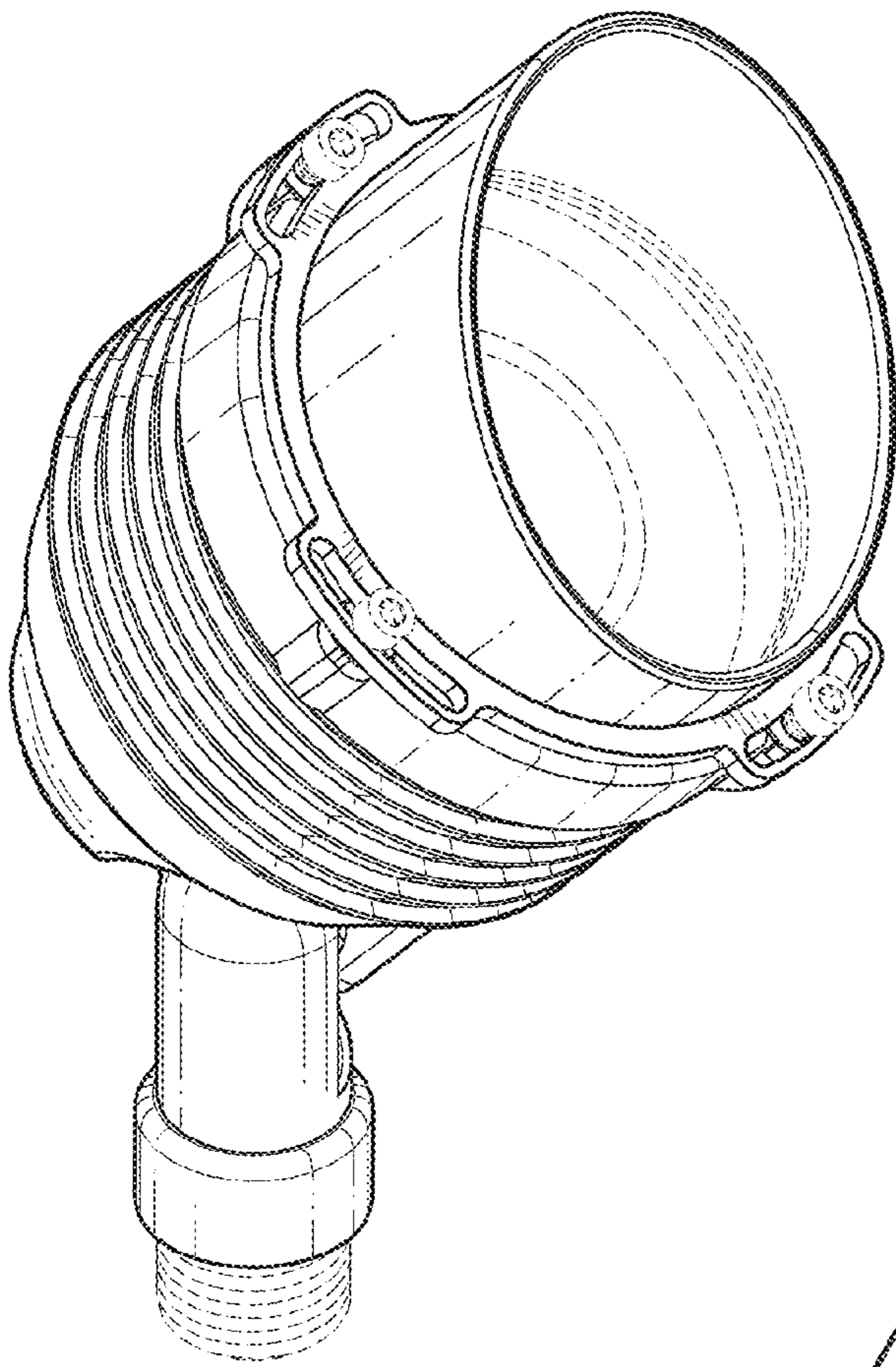


FIG. 1

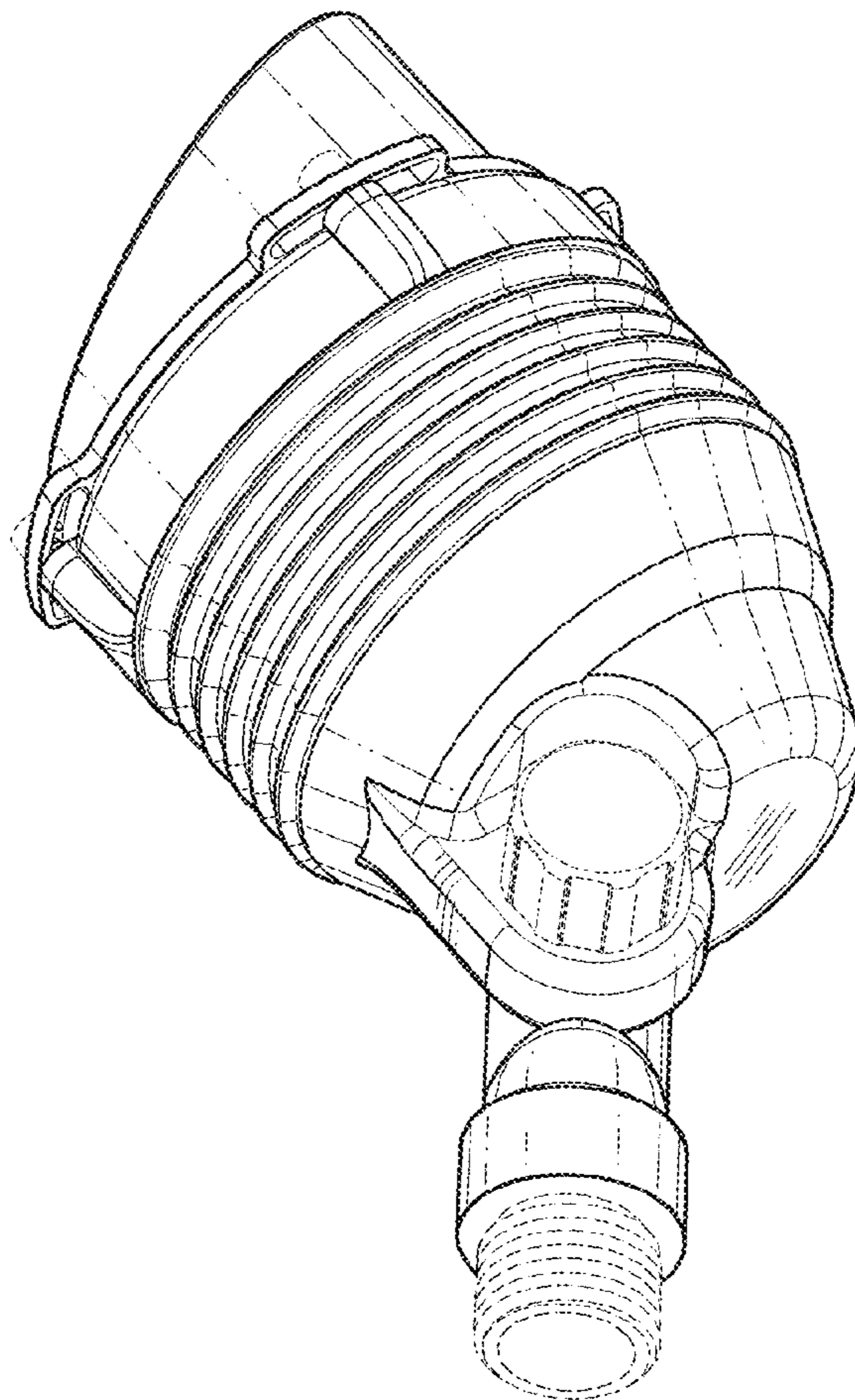


FIG. 2

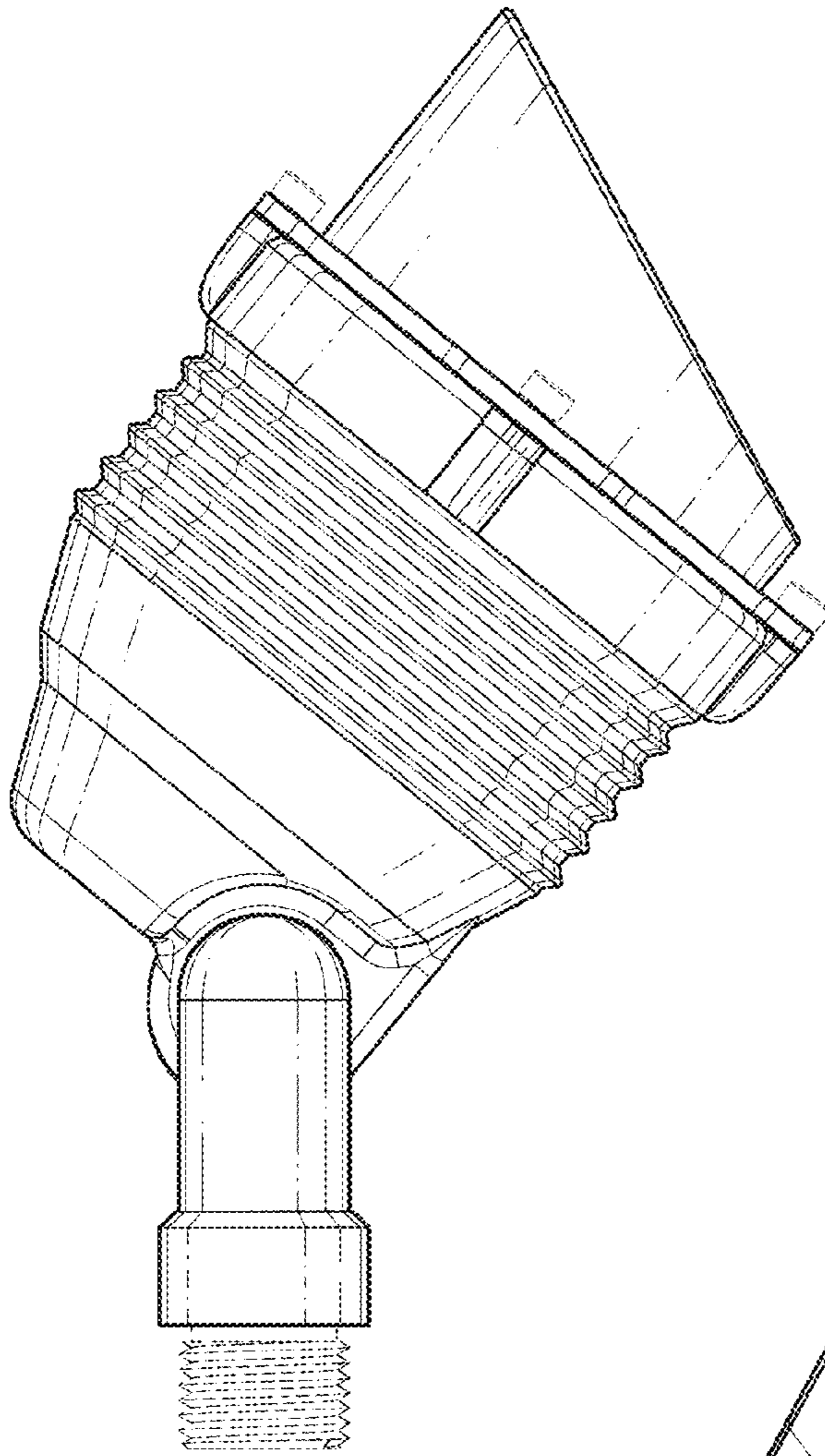


FIG. 3

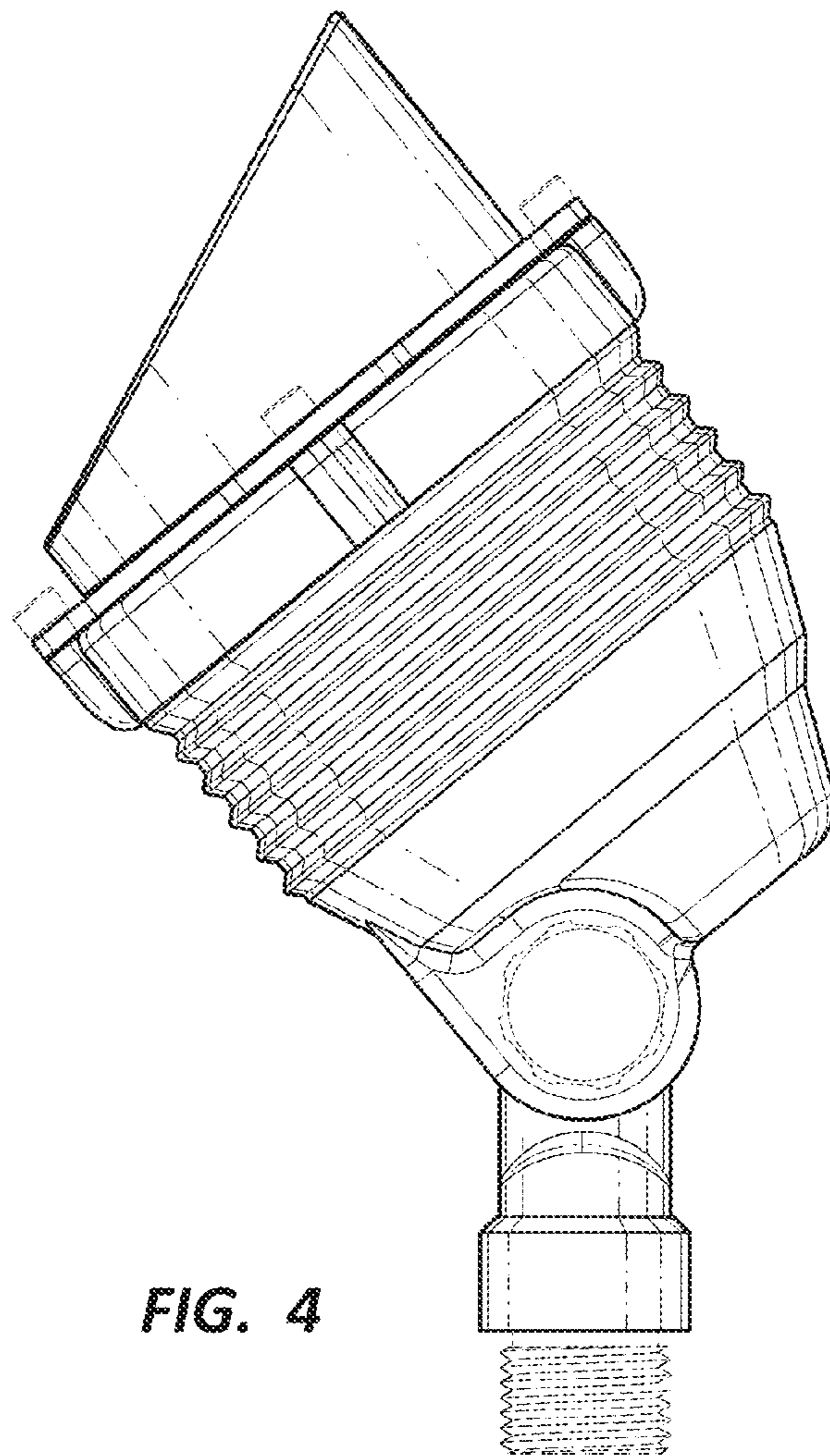


FIG. 4

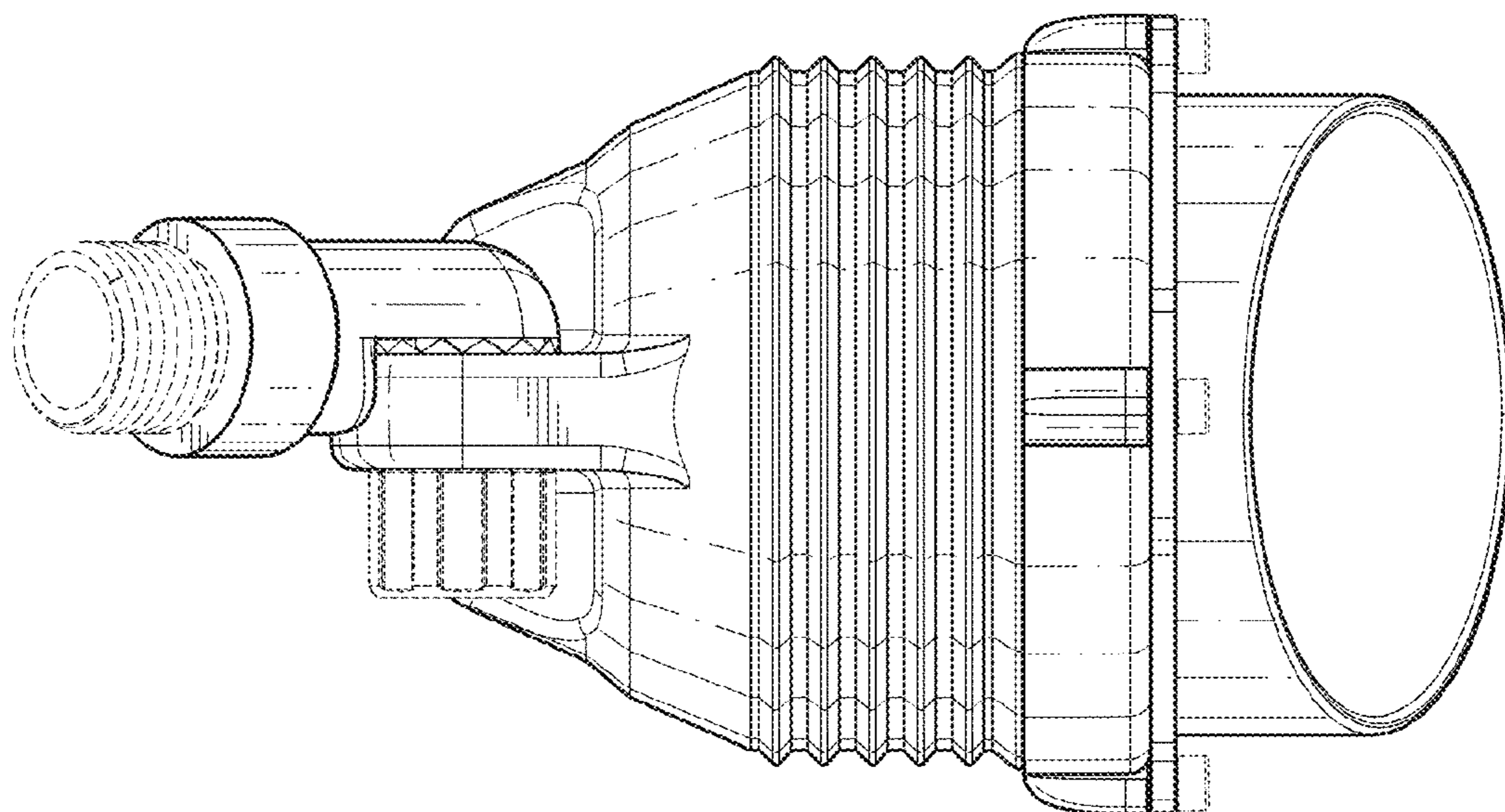


FIG. 5

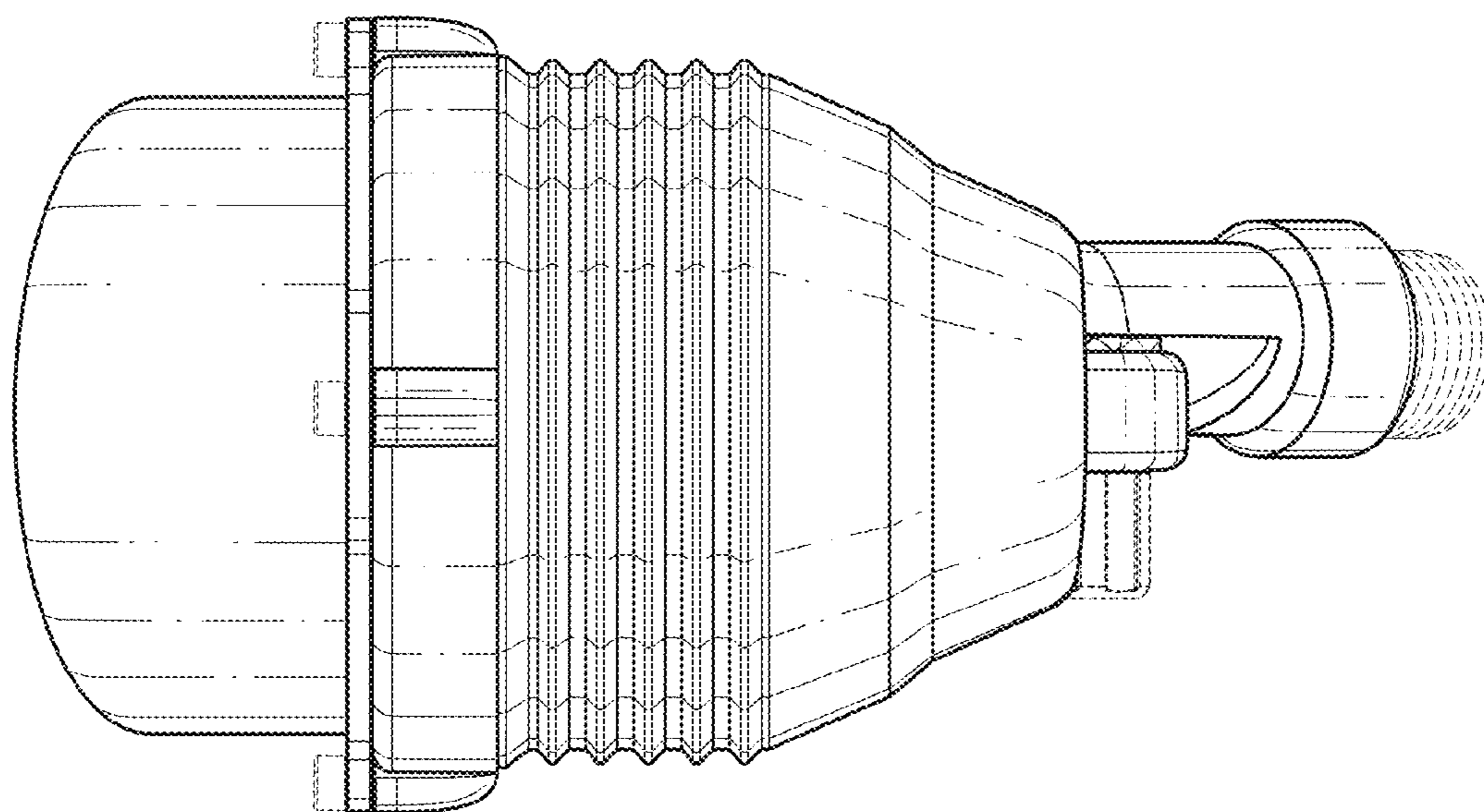


FIG. 6

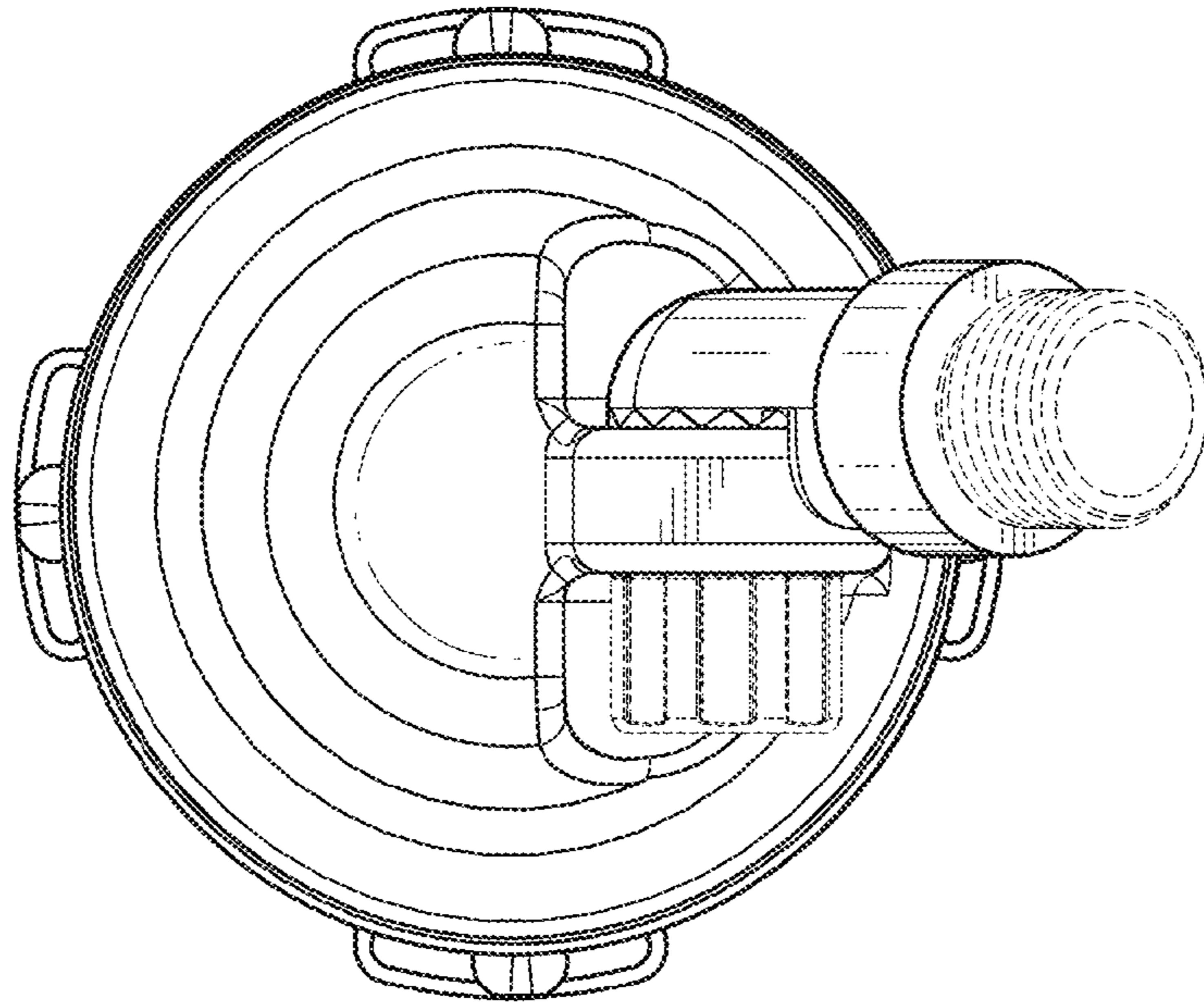


FIG. 7

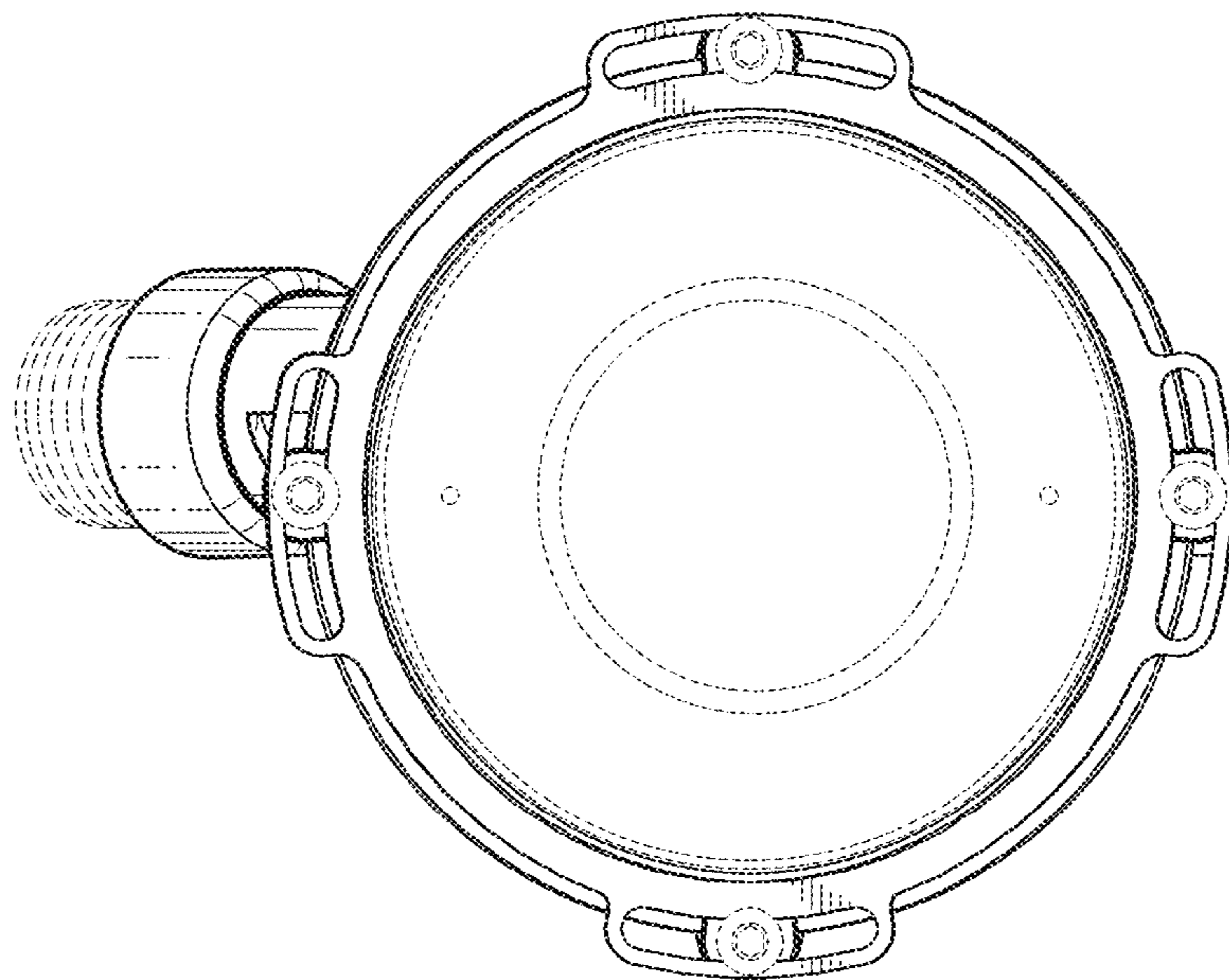


FIG. 8