



US00D667974S

(12) **United States Design Patent**  
**Nagao et al.**

(10) **Patent No.:** **US D667,974 S**  
(45) **Date of Patent:** **\*\* Sep. 25, 2012**

(54) **HEADLIGHT COVER**

(75) Inventors: **Daisuke Nagao**, Gardena, CA (US);  
**Ramon Meneses**, Redondo Beach, CA (US);  
**Jessica Vera**, Long Beach, CA (US);  
**Eric Chin**, Irvine, CA (US);  
**Hiroyuki Miyazaki**, Redondo Beach, CA (US)

(73) Assignee: **Honda Motor Company, Ltd.**, Tokyo (JP)

(\*\*) Term: **14 Years**

(21) Appl. No.: **29/376,103**

(22) Filed: **Oct. 1, 2010**

(51) **LOC (9) Cl.** ..... **26-06**

(52) **U.S. Cl.** ..... **D26/28**

(58) **Field of Classification Search** ..... D26/28-36,  
D26/139; 362/459-468, 475-478, 485-487  
See application file for complete search history.

(56) **References Cited**

**U.S. PATENT DOCUMENTS**

D472,854 S	4/2003	Weber et al.	
D485,219 S	1/2004	Hamm et al.	
D513,718 S	1/2006	Itaya et al.	
D522,924 S	6/2006	Yokoyama et al.	
D527,696 S	9/2006	Ichikawa et al.	
D529,413 S	10/2006	Basset et al.	
D539,705 S	4/2007	Ichikawa et al.	
D557,642 S	12/2007	Miwa et al.	
D585,792 S	2/2009	Chao et al.	
D599,250 S	9/2009	Hirano	
D606,913 S	12/2009	Robertson	
D614,332 S *	4/2010	Lamm et al.	D26/28
D617,020 S *	6/2010	Ishiguri et al.	D26/28
D620,399 S	7/2010	Wu et al.	
D638,150 S *	5/2011	Ichikawa et al.	D26/28

**FOREIGN PATENT DOCUMENTS**

JP 1202083 S 4/2004

**OTHER PUBLICATIONS**

Office Action in corresponding Russian Application Serial No. 2011500959, dated Aug. 18, 2011, along with partial English-language translation and portion of cited prior art reference, 7 pages. Honda TRX420FA All Terrain Vehicle, as shown in attached operations instructions for Honda TRX420FA, pp. 1-234, see all pages and in particular p. 30 (marked p. 22). Honda Motor Co., Ltd. Honda TRX500FA All Terrain Vehicle, as shown in attached operations instructions for Honda TRX500FA, pp. 1-232, see all pages and in particular p. 177 (marked p. 169), p. 20 (marked p. 12), and p. 100 (marked p. 92). Honda Motor Co., Ltd. 2004.

\* cited by examiner

*Primary Examiner* — Marcus Jackson

(74) *Attorney, Agent, or Firm* — Ulmer & Berne LLP

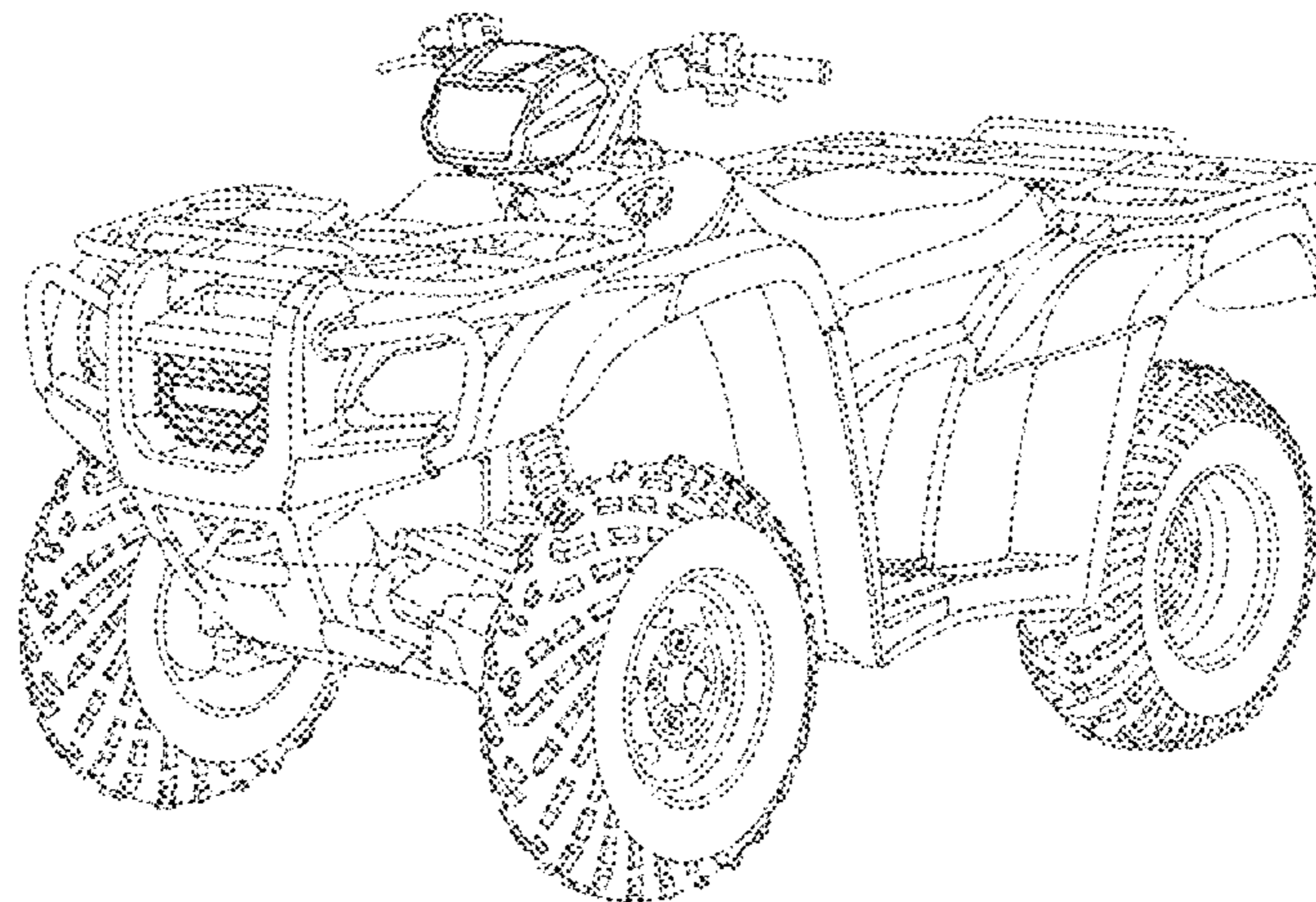
(57) **CLAIM**

The ornamental design for a headlight cover, as shown and described.

**DESCRIPTION**

FIG. 1 is a left perspective view of the headlight cover provided upon a saddle type vehicle;  
FIG. 2 is a right perspective view of the headlight cover of FIG. 1;  
FIG. 3 is a front perspective view of the headlight cover of FIG. 1;  
FIG. 4 is a left side perspective view of the headlight cover of FIG. 1;  
FIG. 5 is a right side perspective view of the headlight cover of FIG. 1;  
FIG. 6 is a rear perspective view of the headlight cover of FIG. 1;  
FIG. 7 is a top perspective view of the headlight cover of FIG. 1; and,  
FIG. 8 is a bottom perspective view of the headlight cover of FIG. 1.  
The phantom lines and areas shown in the figures are for illustrative purposes only and form no part of the claimed design.

**1 Claim, 3 Drawing Sheets**



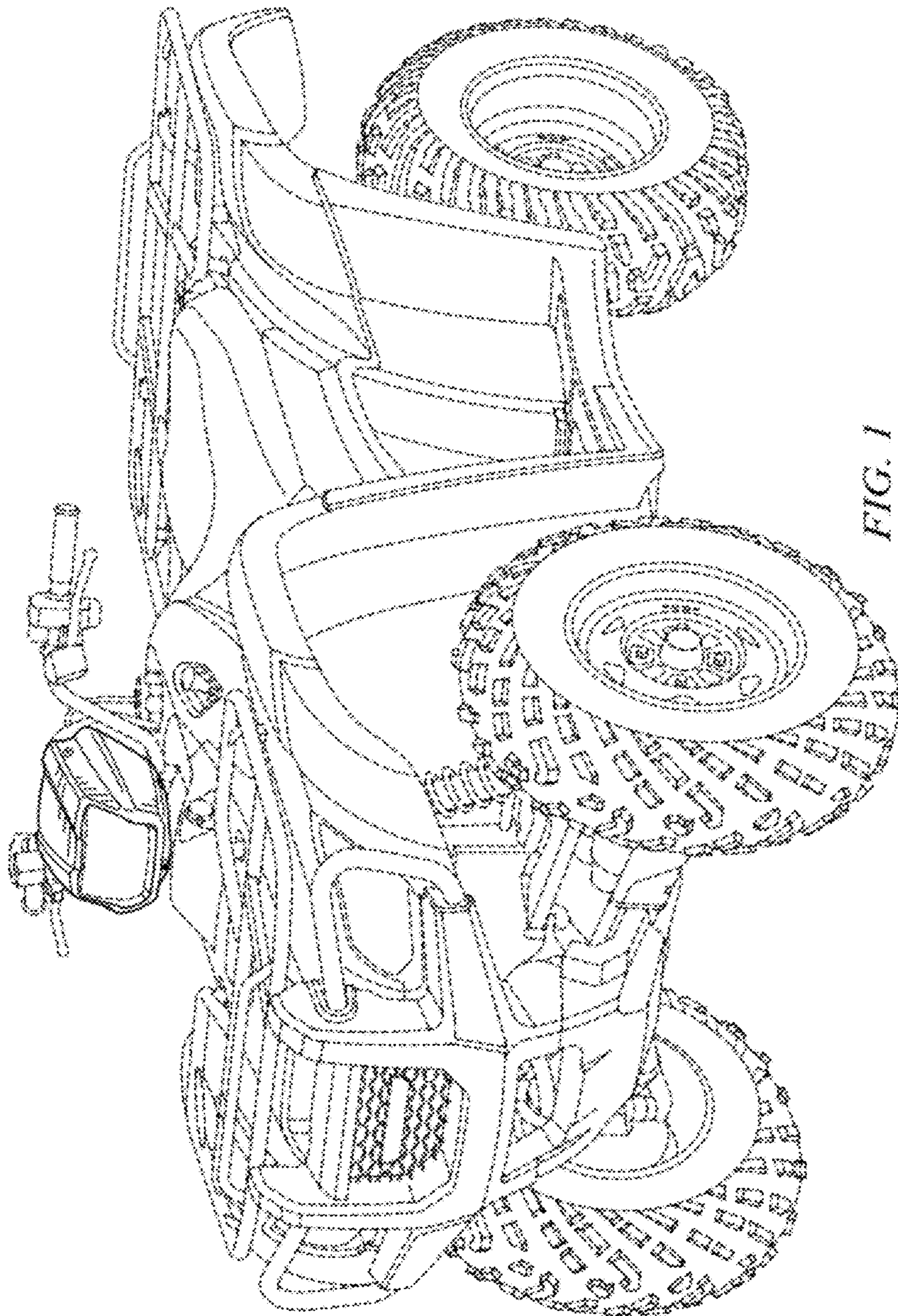


FIG. 1

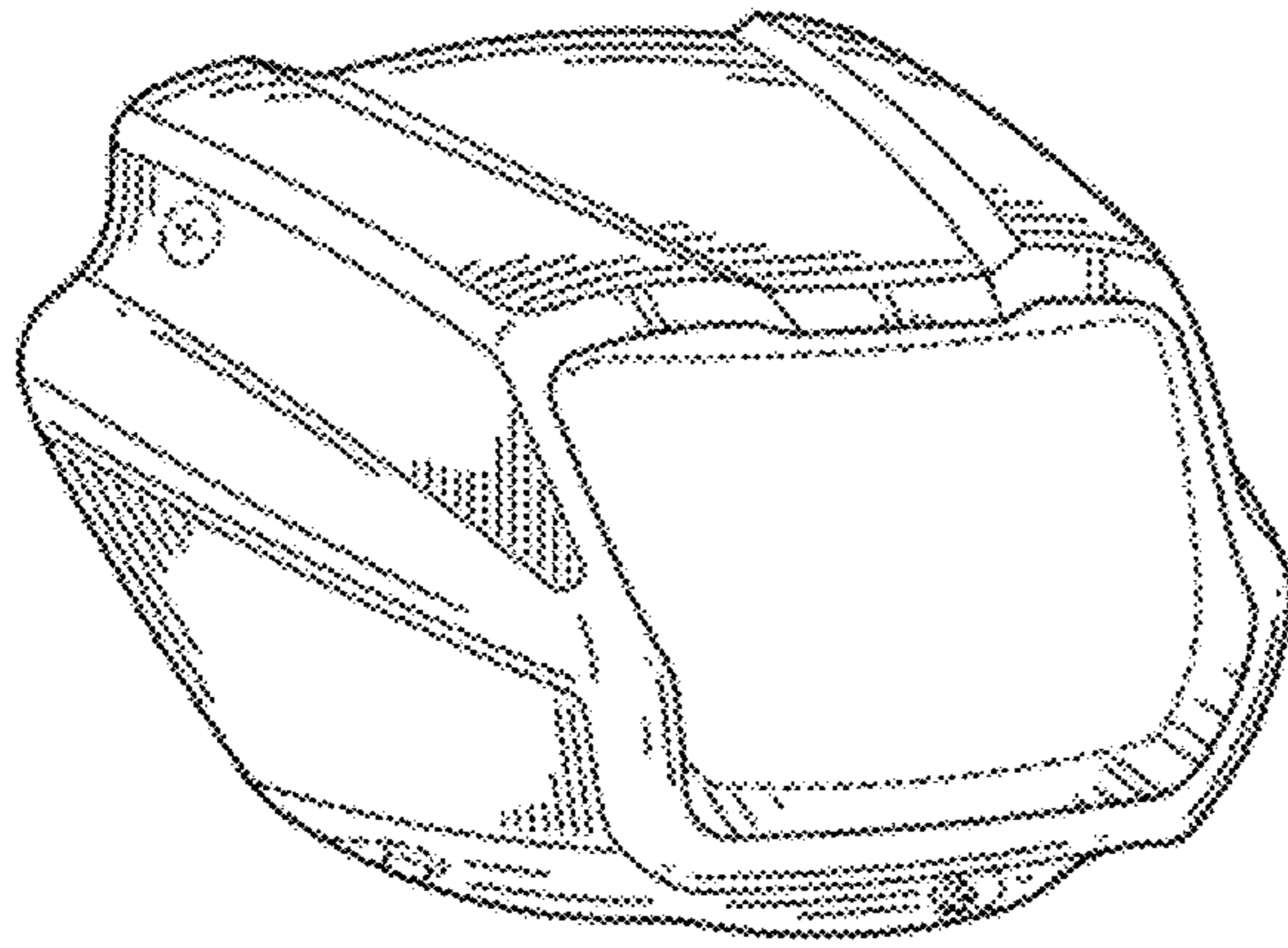


FIG. 2

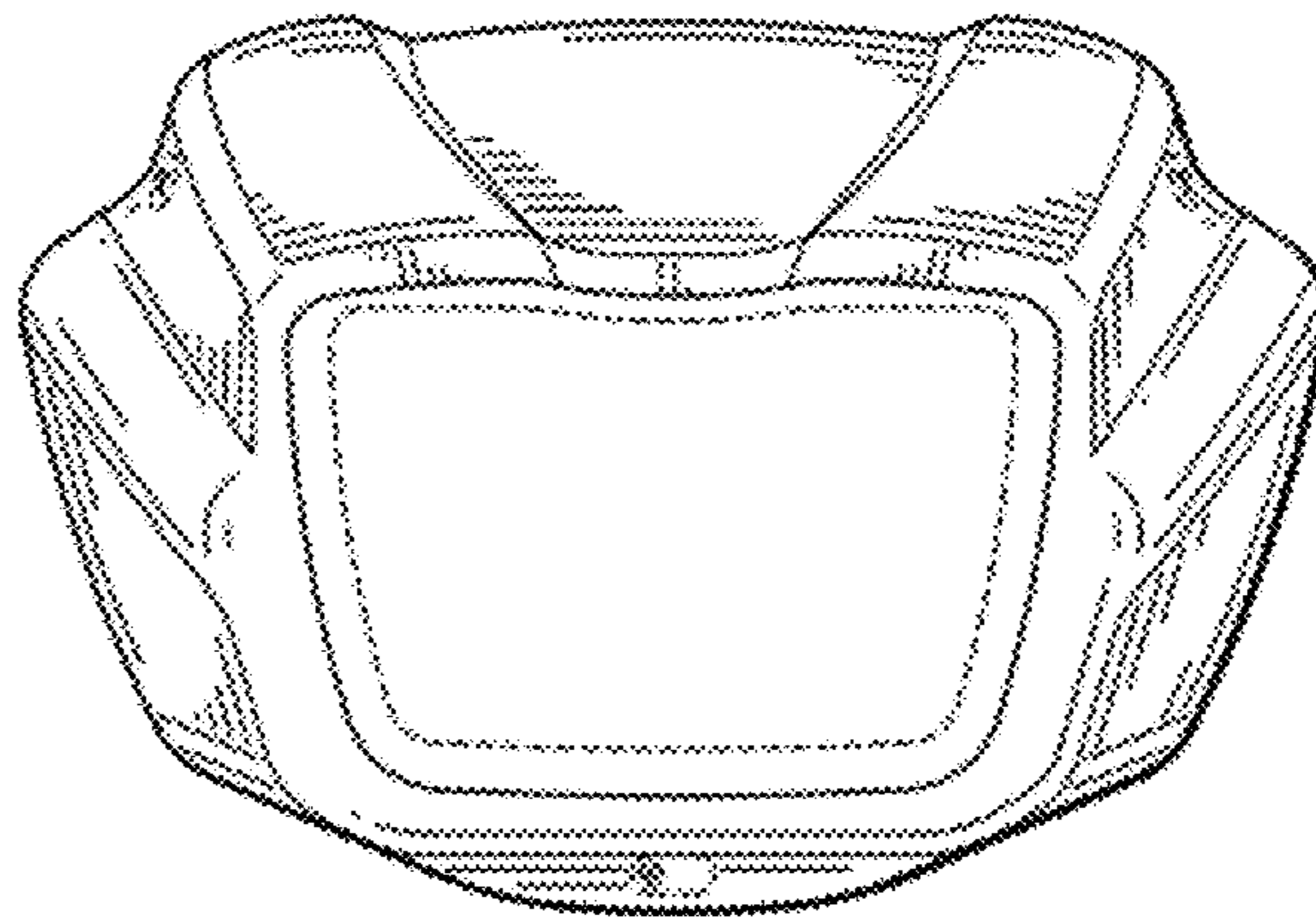


FIG. 3

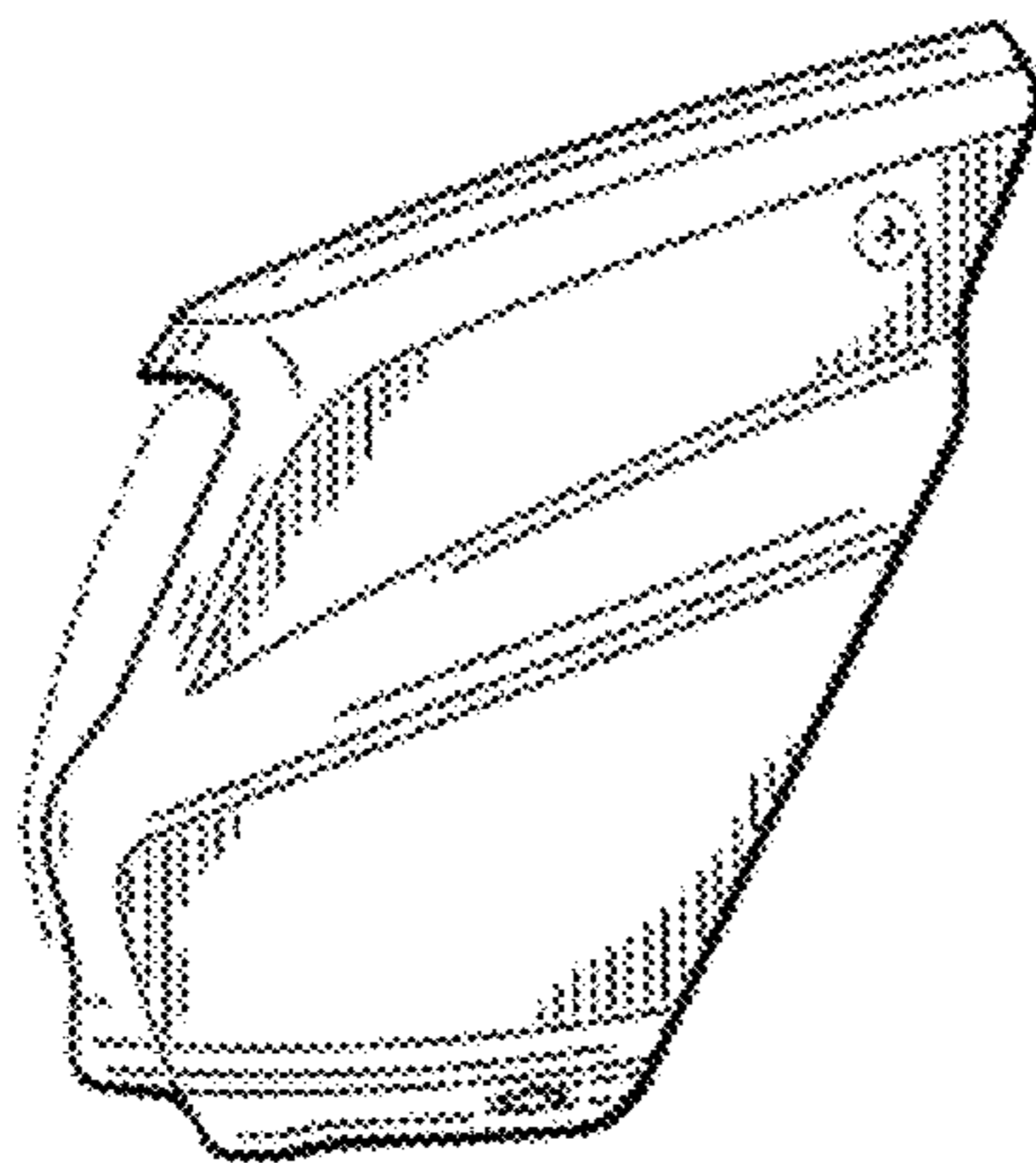


FIG. 4

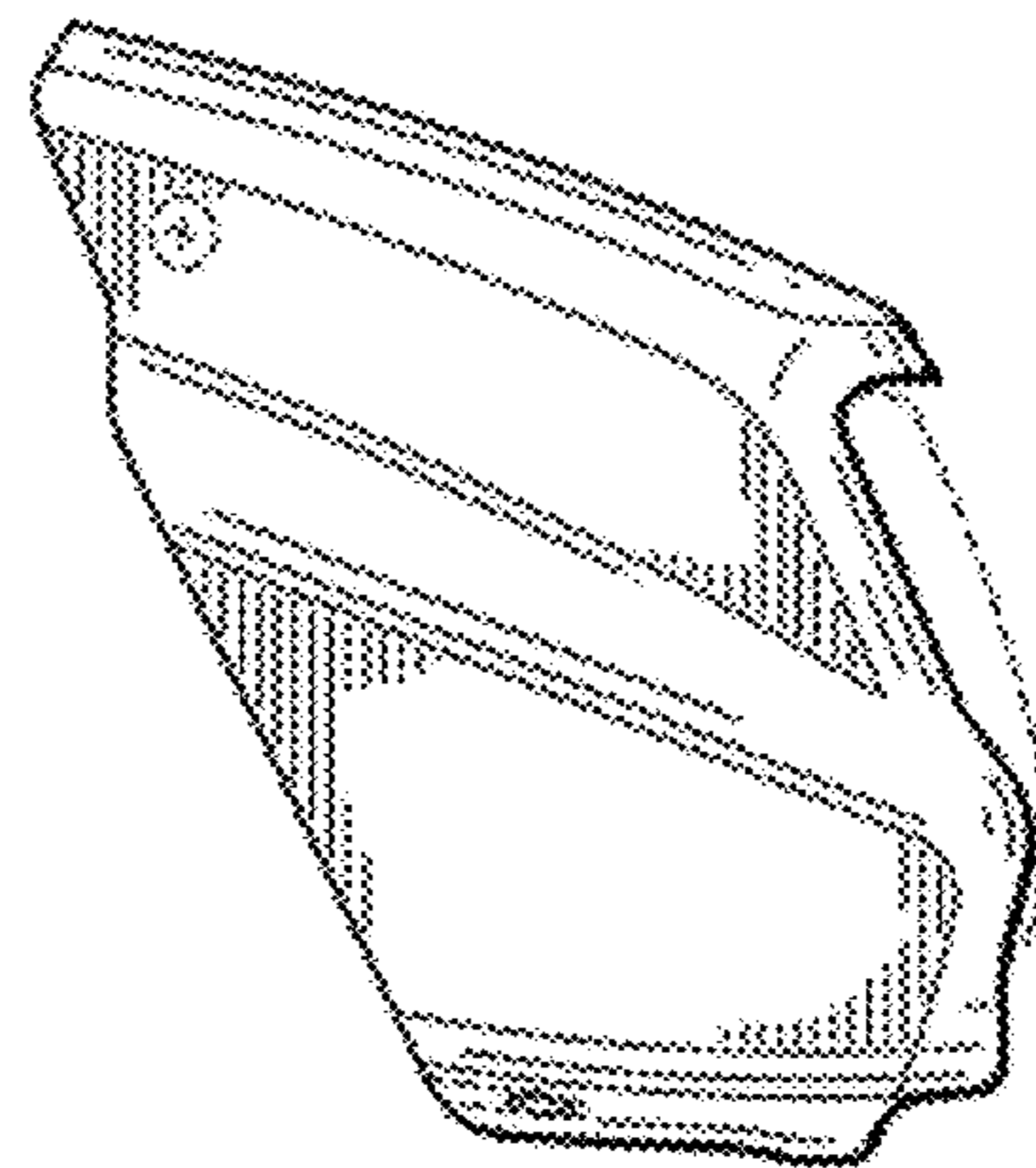


FIG. 5

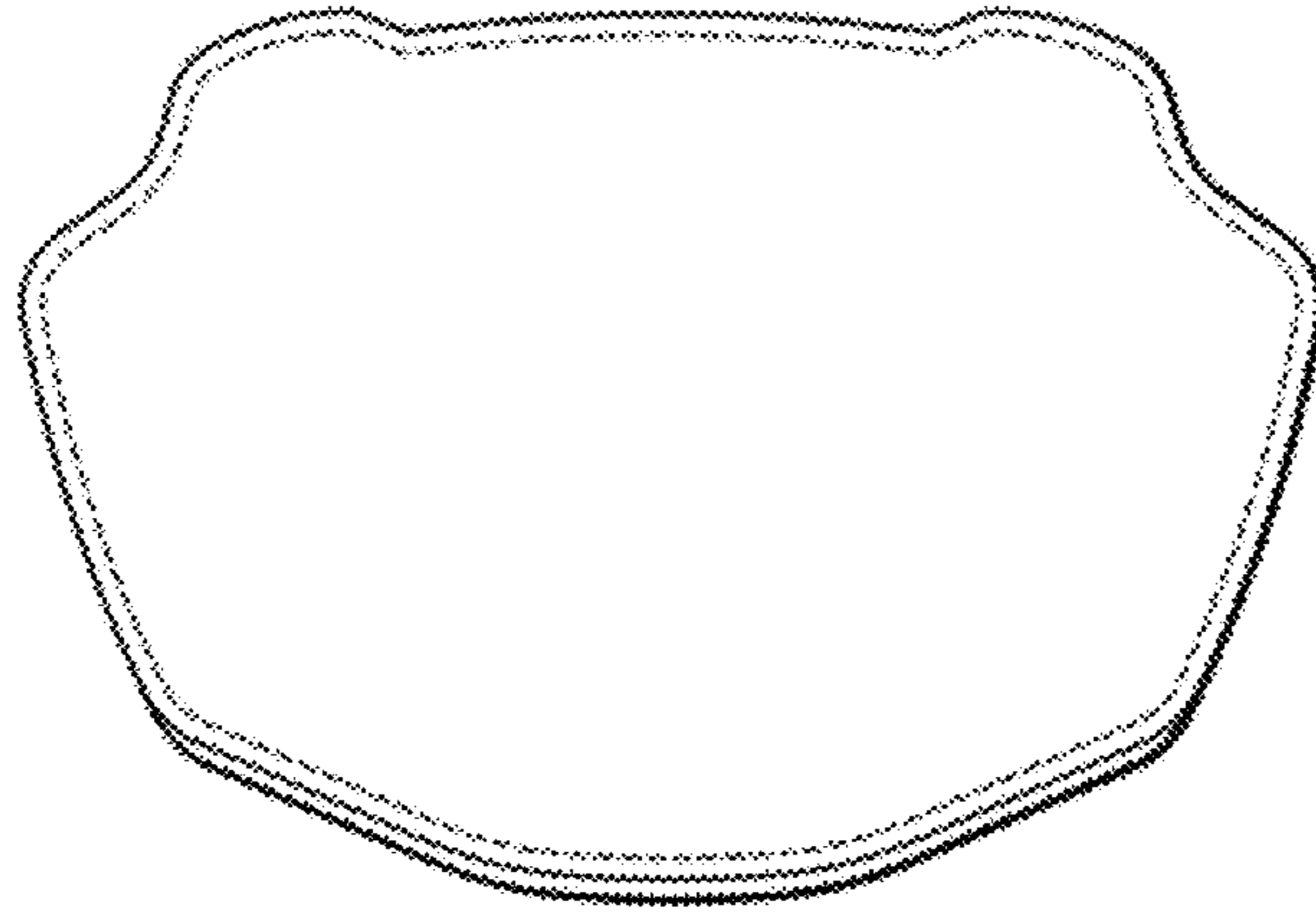


FIG. 6

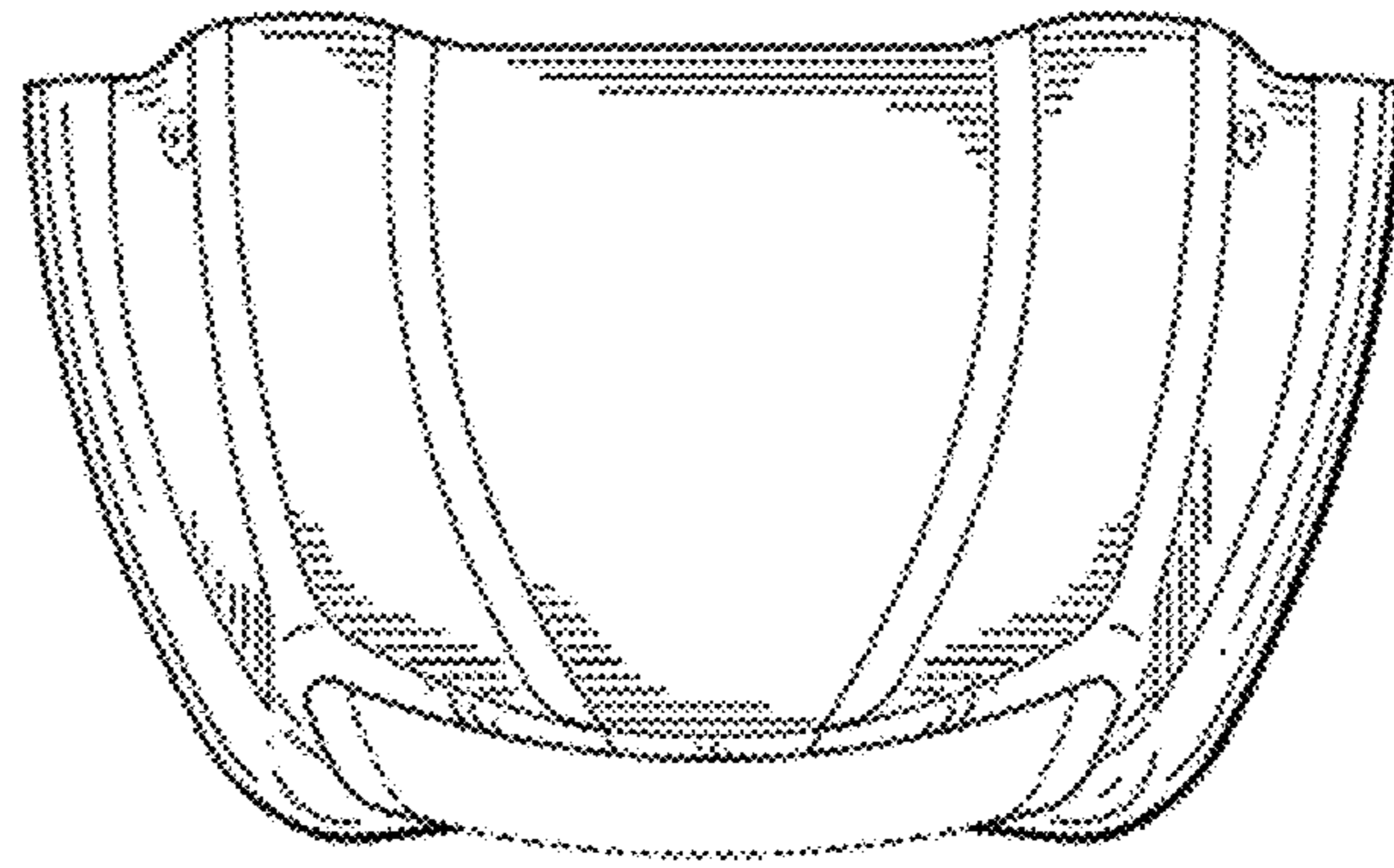


FIG. 7

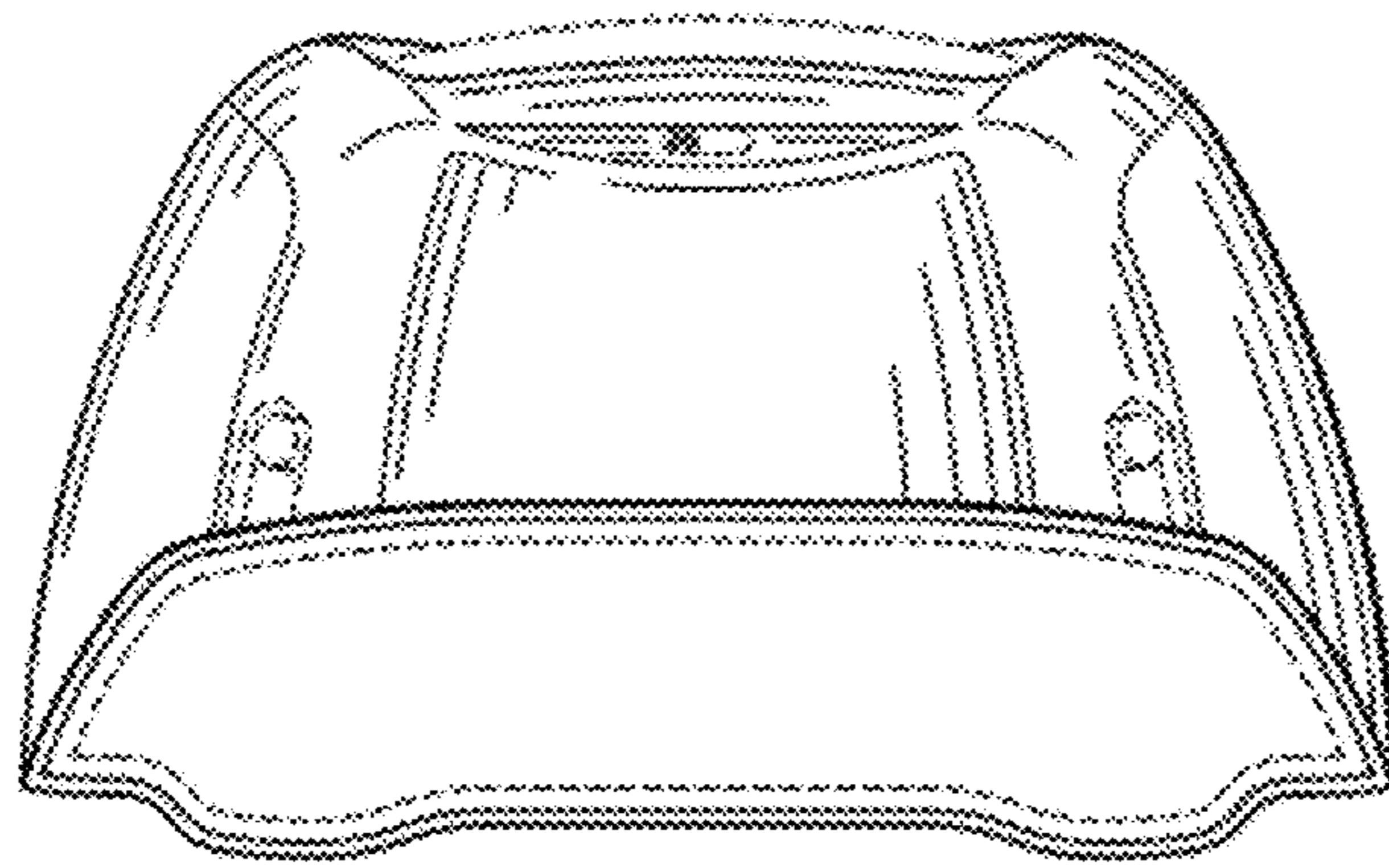


FIG. 8