



US00D667972S

(12) **United States Design Patent**
Sakamoto et al.

(10) **Patent No.:** **US D667,972 S**
(45) **Date of Patent:** **** Sep. 25, 2012**

- (54) **LED LIGHT BULB**
- (75) Inventors: **Mitsuhide Sakamoto**, Aichi (JP);
Toshiaki Yagi, Aichi (JP); **Junichi Ando**, Aichi (JP)
- (73) Assignee: **S. K. G. Co., Ltd.**, Aichi (JP)
- (**) Term: **14 Years**
- (21) Appl. No.: **29/418,462**
- (22) Filed: **Apr. 17, 2012**

D383,224	S	9/1997	Sangen et al.
D417,296	S	11/1999	Kato et al.
7,014,337	B2	3/2006	Chen
D574,091	S	7/2008	Sun
7,434,964	B1	10/2008	Zheng et al.
7,492,103	B2	2/2009	Hwang
7,513,653	B1	4/2009	Liu et al.
7,585,090	B2	9/2009	Wu
7,637,636	B2	12/2009	Zheng et al.
D629,537	S	12/2010	Hsu et al.
D630,348	S	1/2011	Duan
D631,567	S	1/2011	Lodhie
D641,895	S	7/2011	Huang
8,072,123	B1	12/2011	Han
8,092,045	B2	1/2012	Xiao et al.
D662,231	S *	6/2012	Sakamoto et al. D26/2
2004/0114367	A1	6/2004	Li
2007/0159828	A1	7/2007	Wang
2008/0013318	A1	1/2008	Sun et al.
2008/0316755	A1	12/2008	Zheng et al.
2011/0156584	A1	6/2011	Kim

Related U.S. Application Data

- (62) Division of application No. 29/347,973, filed on Aug. 20, 2010, now Pat. No. Des. 663,445.

Foreign Application Priority Data

- (30) May 24, 2010 (JP) 2010-012634

- (51) **LOC (9) Cl.** **26-04**
- (52) **U.S. Cl.** **D26/2**
- (58) **Field of Classification Search** D26/1-5,
D26/113, 120, 138; 313/313, 315, 316, 317,
313/318, 493; 315/52, 53, 56, 57, 58; 362/290,
362/294, 309; D13/110, 180
See application file for complete search history.

References Cited

U.S. PATENT DOCUMENTS

D289,798	S	5/1987	Joosten
4,777,405	A	10/1988	Hermes et al.
4,792,726	A	12/1988	Gandhi
D304,030	S	10/1989	Vakil
D346,456	S	4/1994	Matsumura et al.
D347,076	S	5/1994	DeKleine et al.
D347,077	S	5/1994	DeKleine et al.
5,309,062	A	5/1994	Perkins et al.
5,546,291	A	8/1996	Simes
5,575,459	A	11/1996	Anderson

* cited by examiner

Primary Examiner — Marcus Jackson
(74) *Attorney, Agent, or Firm* — Rabin & Berdo, P.C.

CLAIM

(57) The ornamental design for an LED light bulb, as shown and described.

DESCRIPTION

FIG. 1 is a perspective view of the LED light bulb;
FIG. 2 is a front view thereof;
FIG. 3 is a rear view thereof;
FIG. 4 is a plan view thereof;
FIG. 5 is a bottom plan view thereof;
FIG. 6 is a right side view thereof; and,
FIG. 7 is a left side view thereof.
The portions of the LED light bulb that are shown in broken lines throughout the drawings are for illustrative purposes only and form no part of the claimed design.

1 Claim, 4 Drawing Sheets

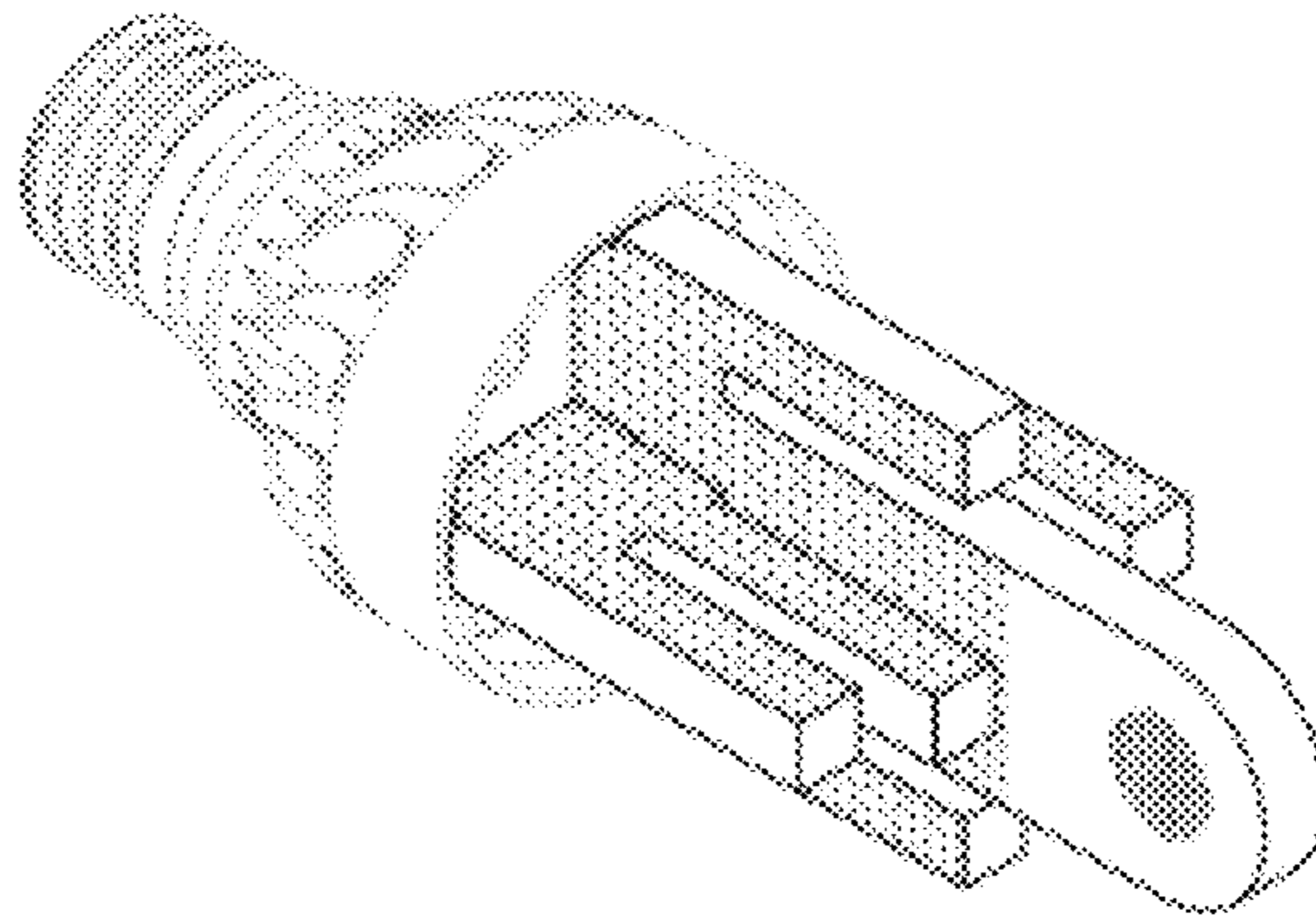


FIGURE 1

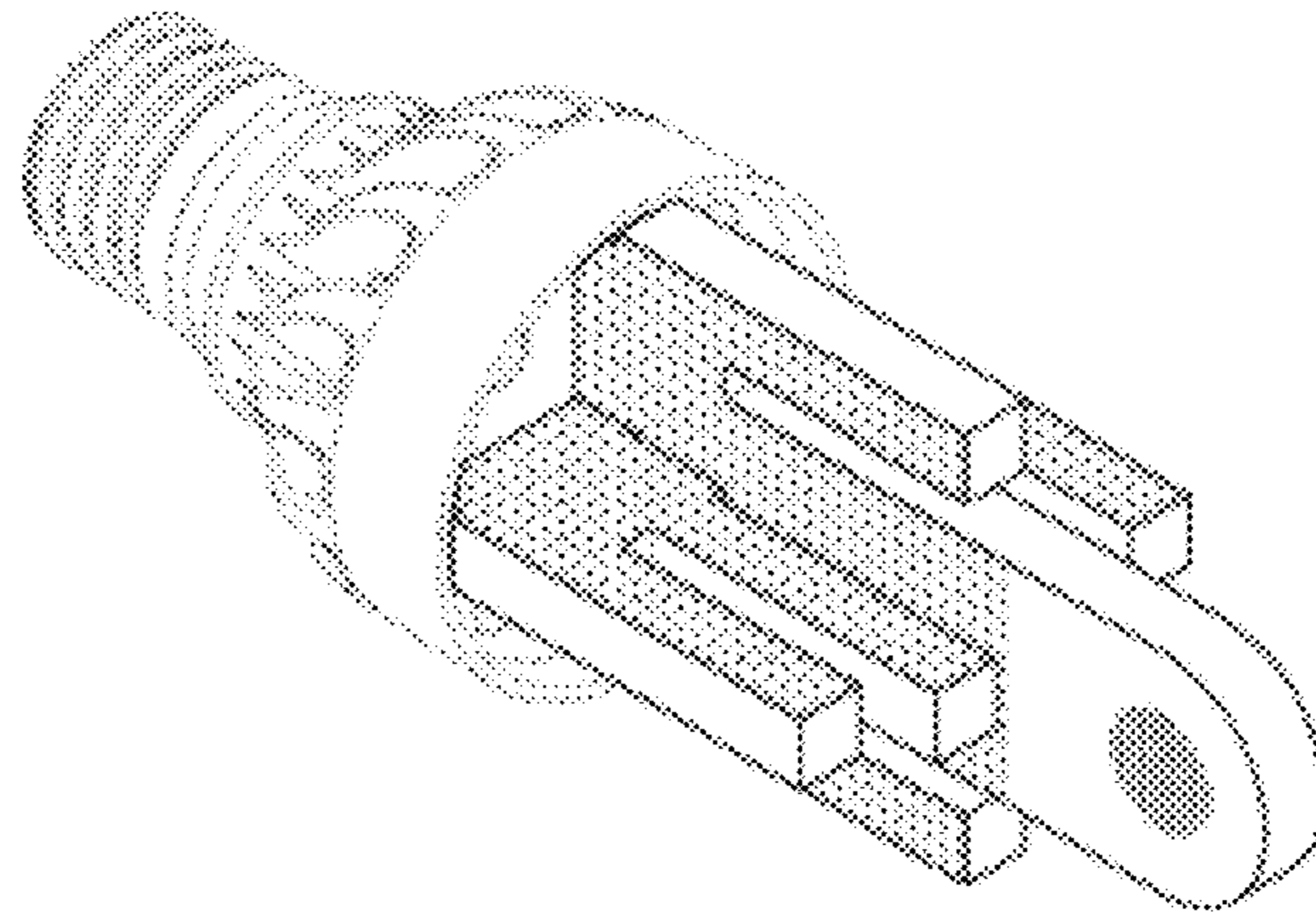


FIGURE 2

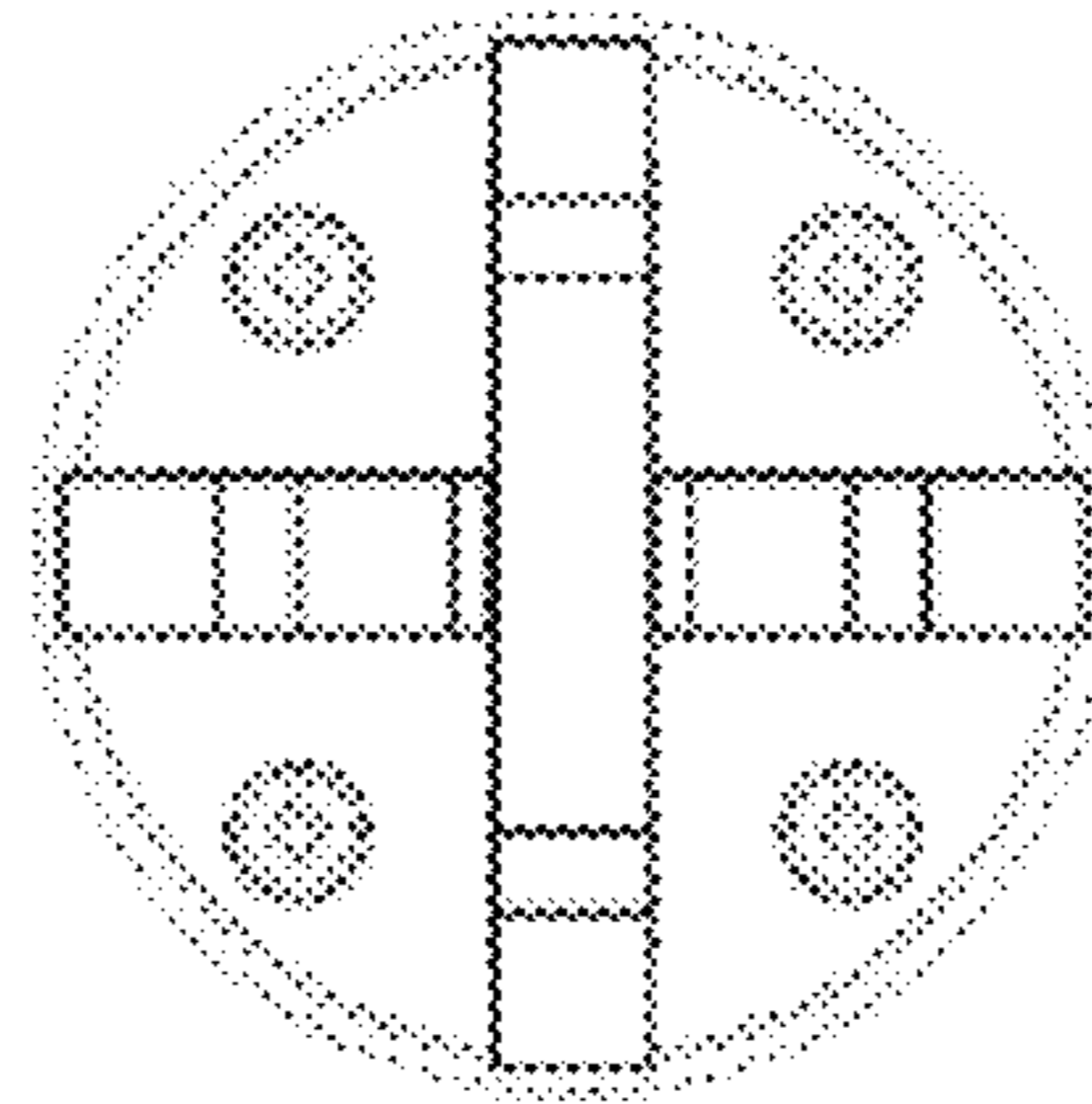


FIGURE 3

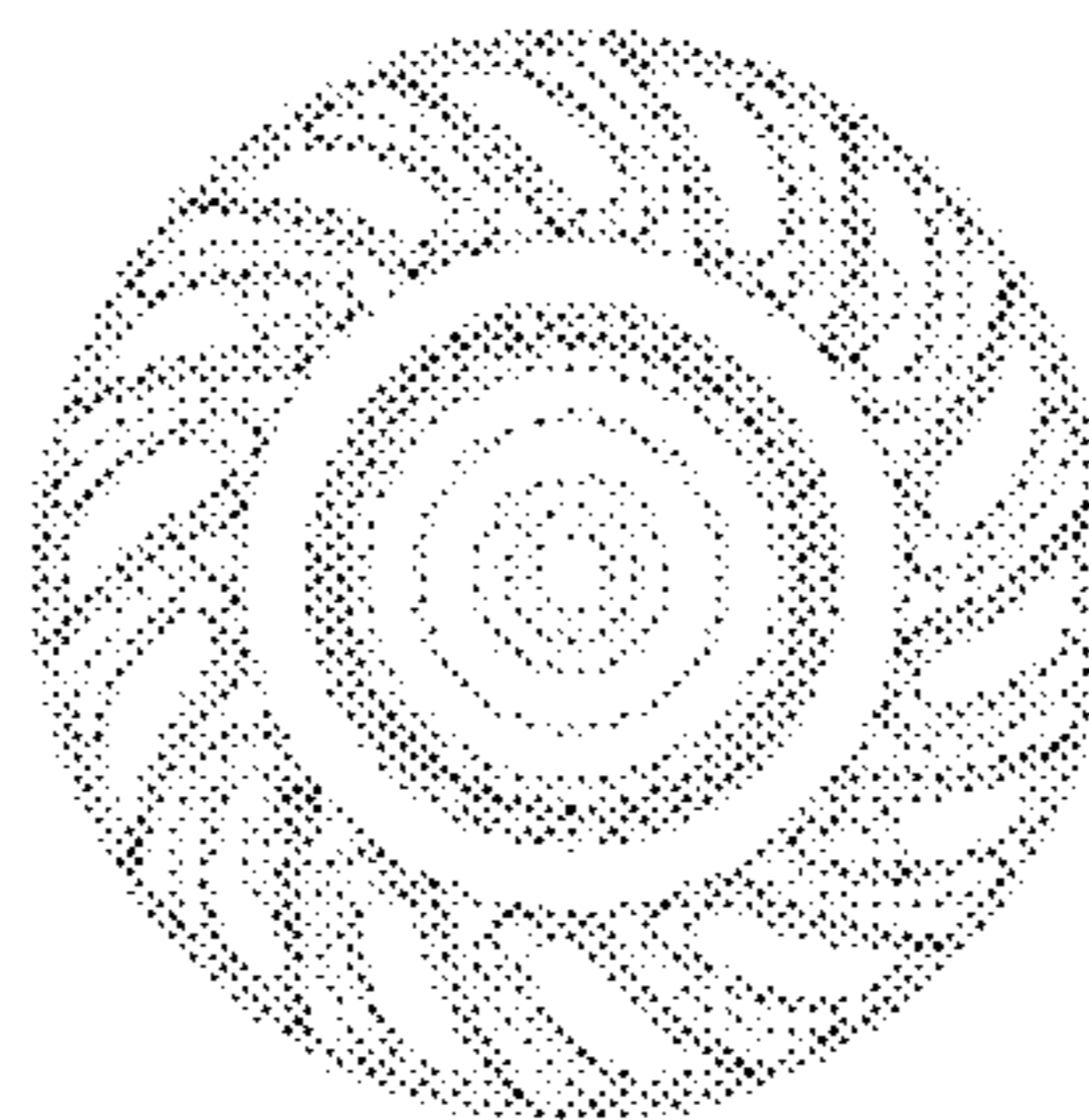


FIGURE 4

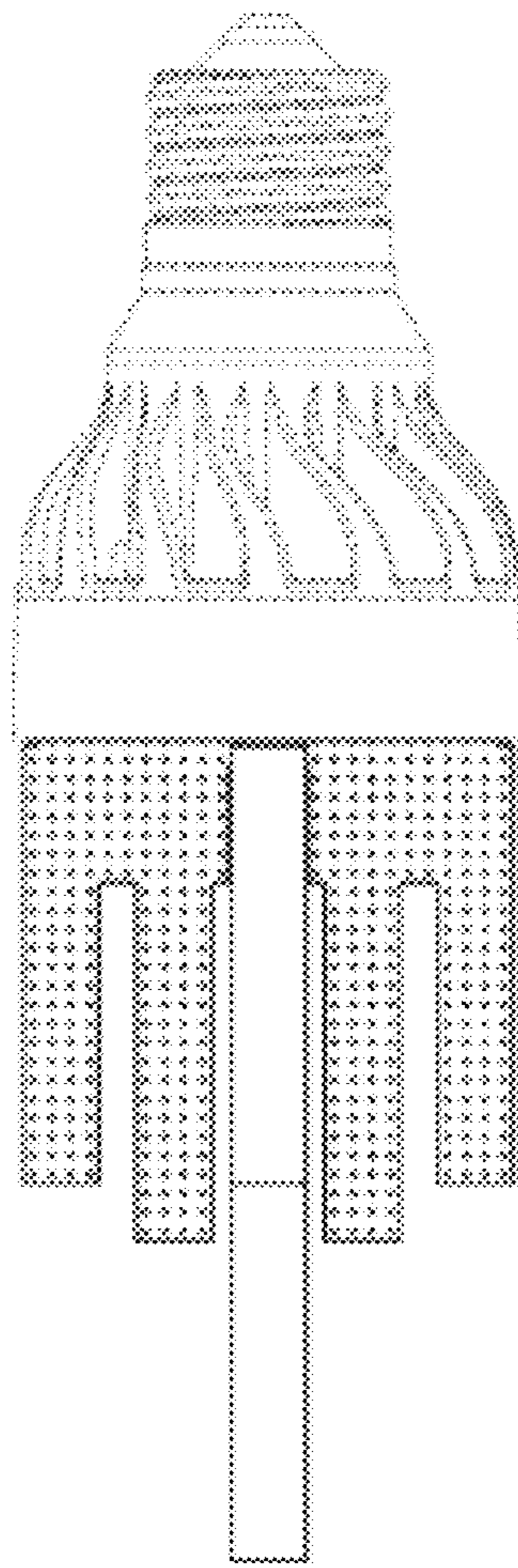


FIGURE 5

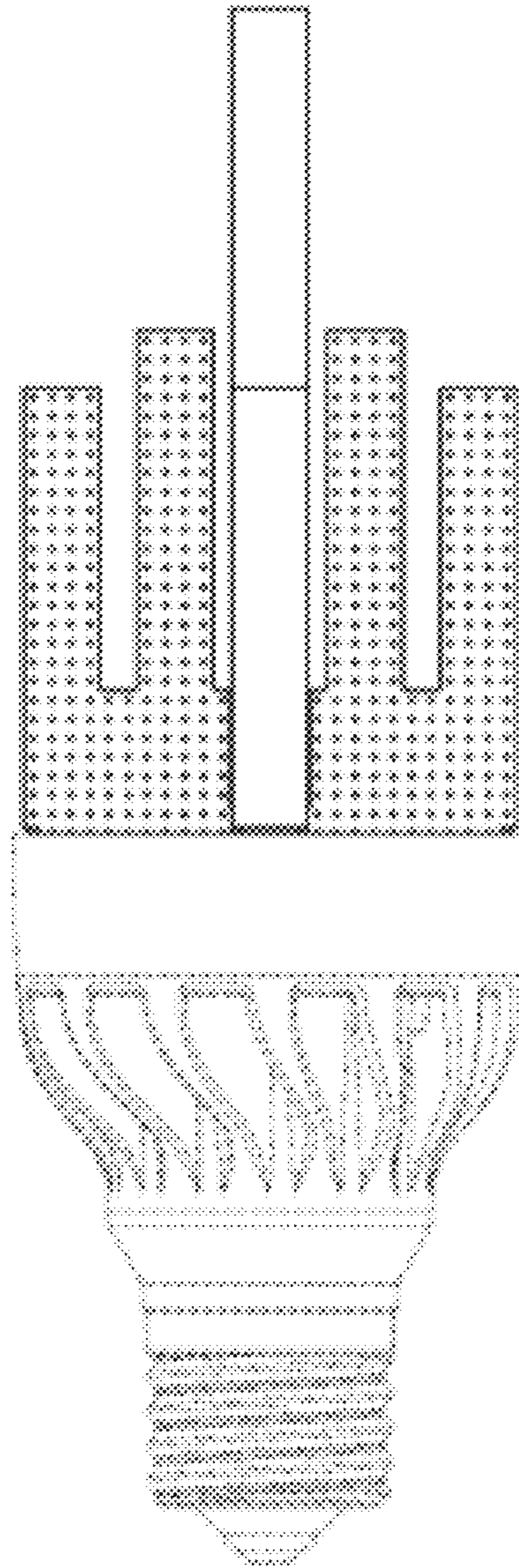


FIGURE 6

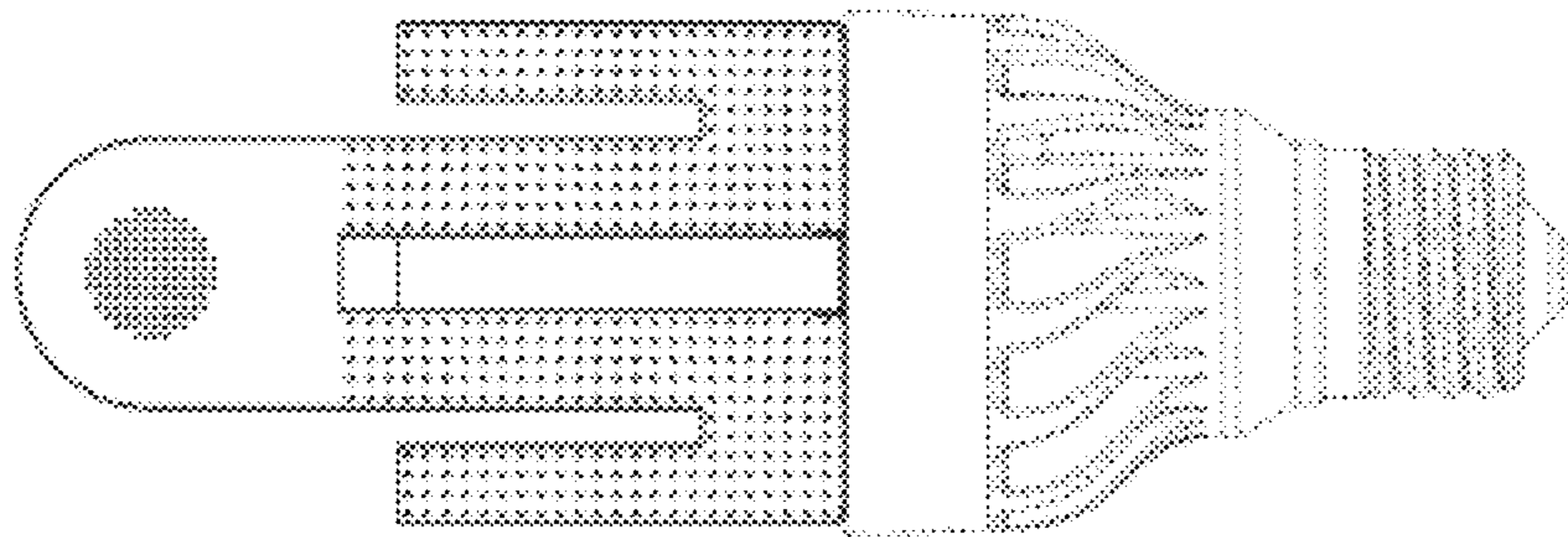


FIGURE 7

