



US00D667969S

(12) **United States Design Patent**  
**Rioux et al.**

(10) **Patent No.:** **US D667,969 S**  
(45) **Date of Patent:** **\*\* Sep. 25, 2012**

(54) **LAMP**

FOREIGN PATENT DOCUMENTS

(75) Inventors: **Phil Rioux**, Brentwood, NH (US);  
**Shiyong Zhang**, Acton, MA (US);  
**Yichong Zeng**, Chelmsford, MA (US)

EP 2256403 A2 12/2010  
WO 2011029724 A1 3/2011

\* cited by examiner

(73) Assignee: **OSRAM SYLVANIA Inc.**, Danvers,  
MA (US)

*Primary Examiner* — Marcus Jackson

(74) *Attorney, Agent, or Firm* — Edward S. Podszus

(\*\*) Term: **14 Years**

(57) **CLAIM**

The ornamental design for lamp, as shown and described.

(21) Appl. No.: **29/395,473**

(22) Filed: **Jan. 27, 2012**

**DESCRIPTION**

(51) **LOC (9) Cl.** ..... **26-04**

(52) **U.S. Cl.** ..... **D26/2**

(58) **Field of Classification Search** ..... D26/1-4;  
313/313, 315, 316, 317, 318, 493; 315/52,  
315/53, 56, 57, 58

See application file for complete search history.

FIG. 1 is a perspective view of the new design for a lamp as seen from the front, top;

FIG. 2 is a rear perspective view as seen from the rear, side thereof;

FIG. 3 is a side elevational view thereof;

FIG. 4 is a top plan view thereof; and

FIG. 5 is a rear plan view thereof.

FIG. 6 is a perspective view of the second embodiment of the new design for a lamp as seen from the front, top;

FIG. 7 is a rear perspective view of the second embodiment as seen from the rear, side thereof;

FIG. 8 is a side elevational view of the second embodiment;

FIG. 9 is a top plan view of the second embodiment; and,

FIG. 10 is a rear plan view of the second embodiment.

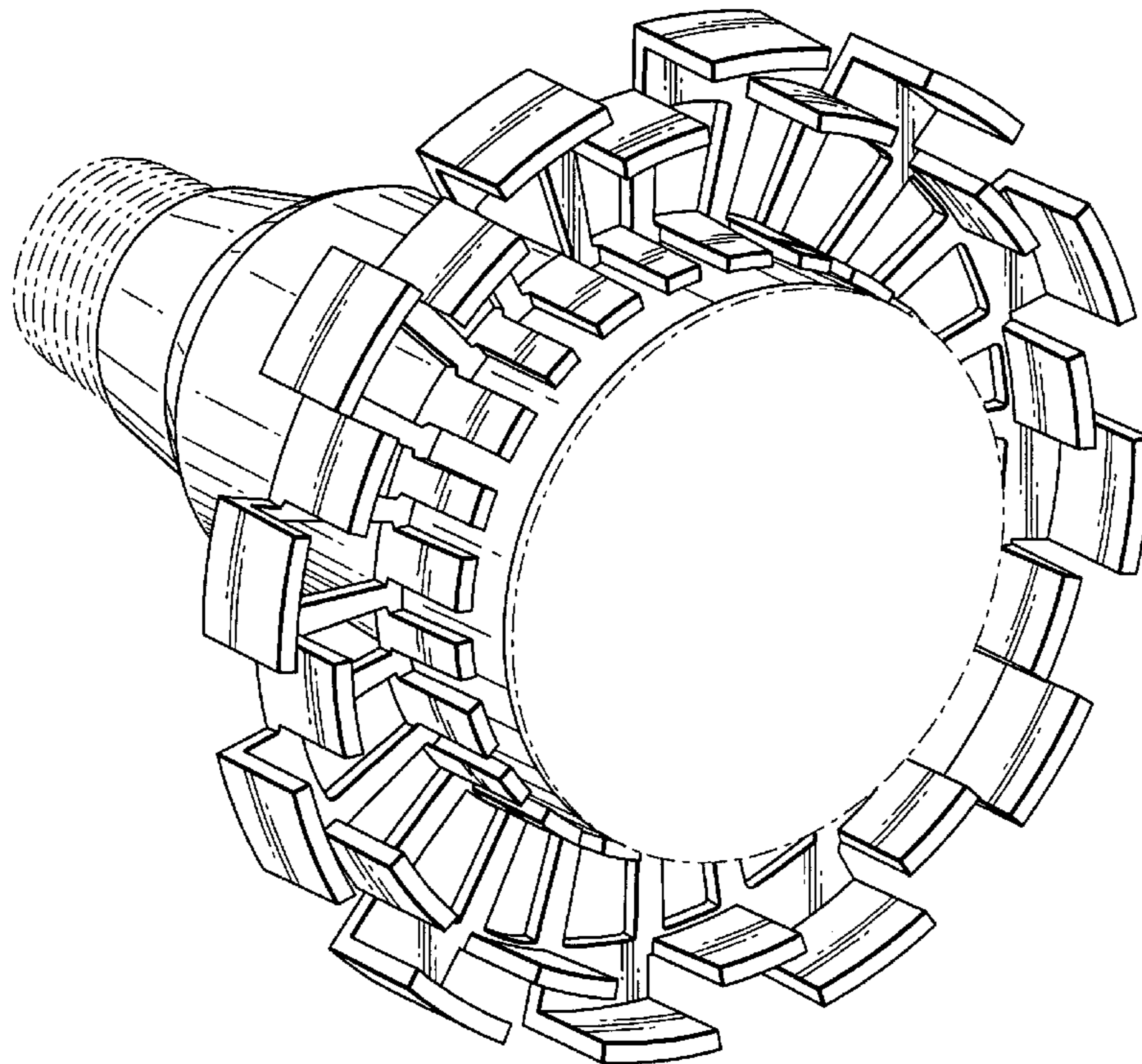
The broken line disclosure is for environmental purposes only and does not form a part of the claimed design.

(56) **References Cited**

U.S. PATENT DOCUMENTS

D610,722 S *	2/2010	Bi	.....	D26/2
D626,260 S *	10/2010	Wei	.....	D26/2
D628,319 S *	11/2010	Yoshinobu et al.	.....	D26/2
D629,129 S *	12/2010	Lin et al.	.....	D26/2
D630,347 S *	1/2011	Pei et al.	.....	D26/2
D630,775 S *	1/2011	Pan	.....	D26/2
D631,577 S *	1/2011	Yoshinobu et al.	.....	D26/2
D646,406 S *	10/2011	Tsai et al.	.....	D26/2
2010/0133578 A1	6/2010	Pickard et al.		

**1 Claim, 10 Drawing Sheets**



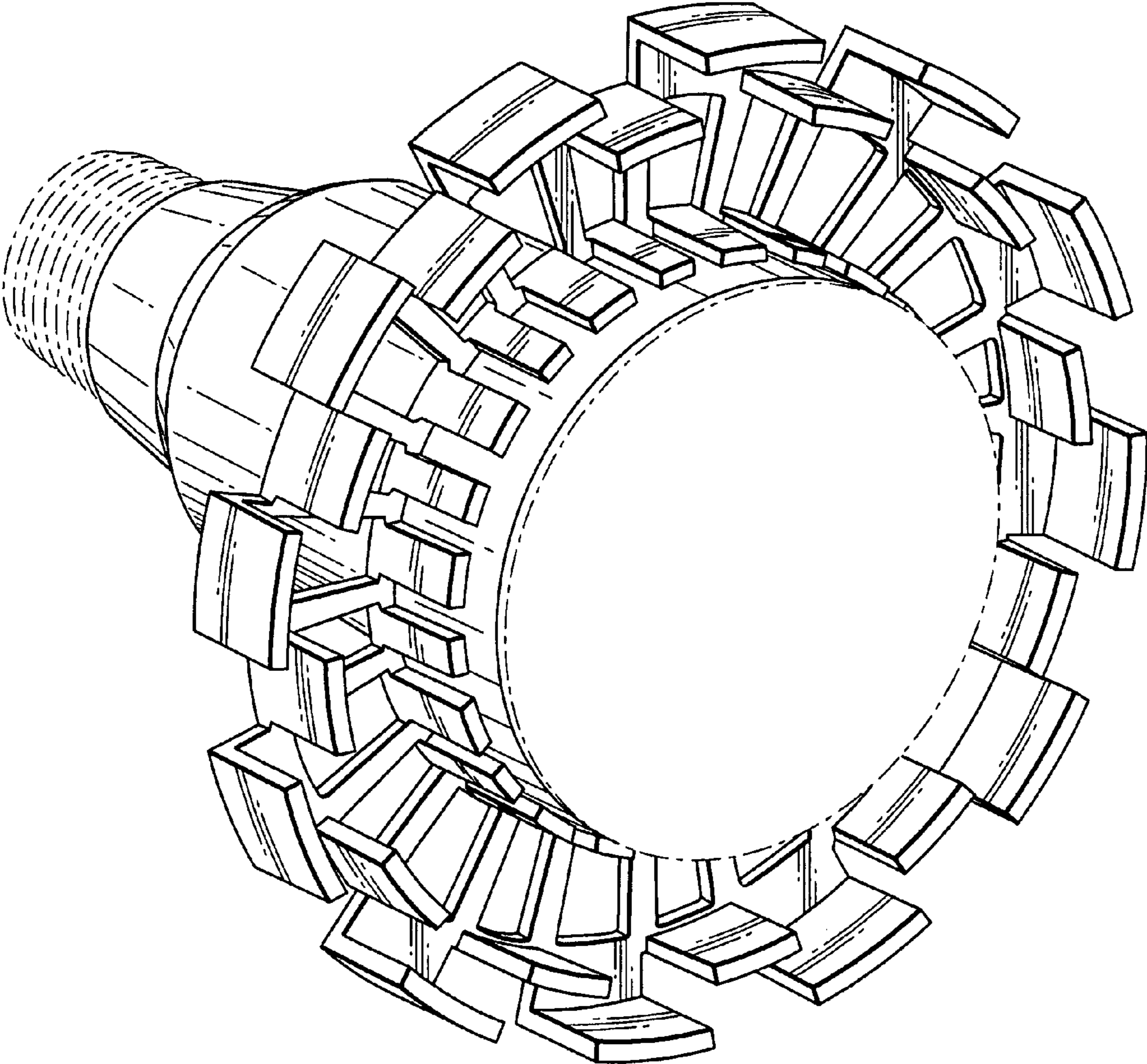


FIG. 1

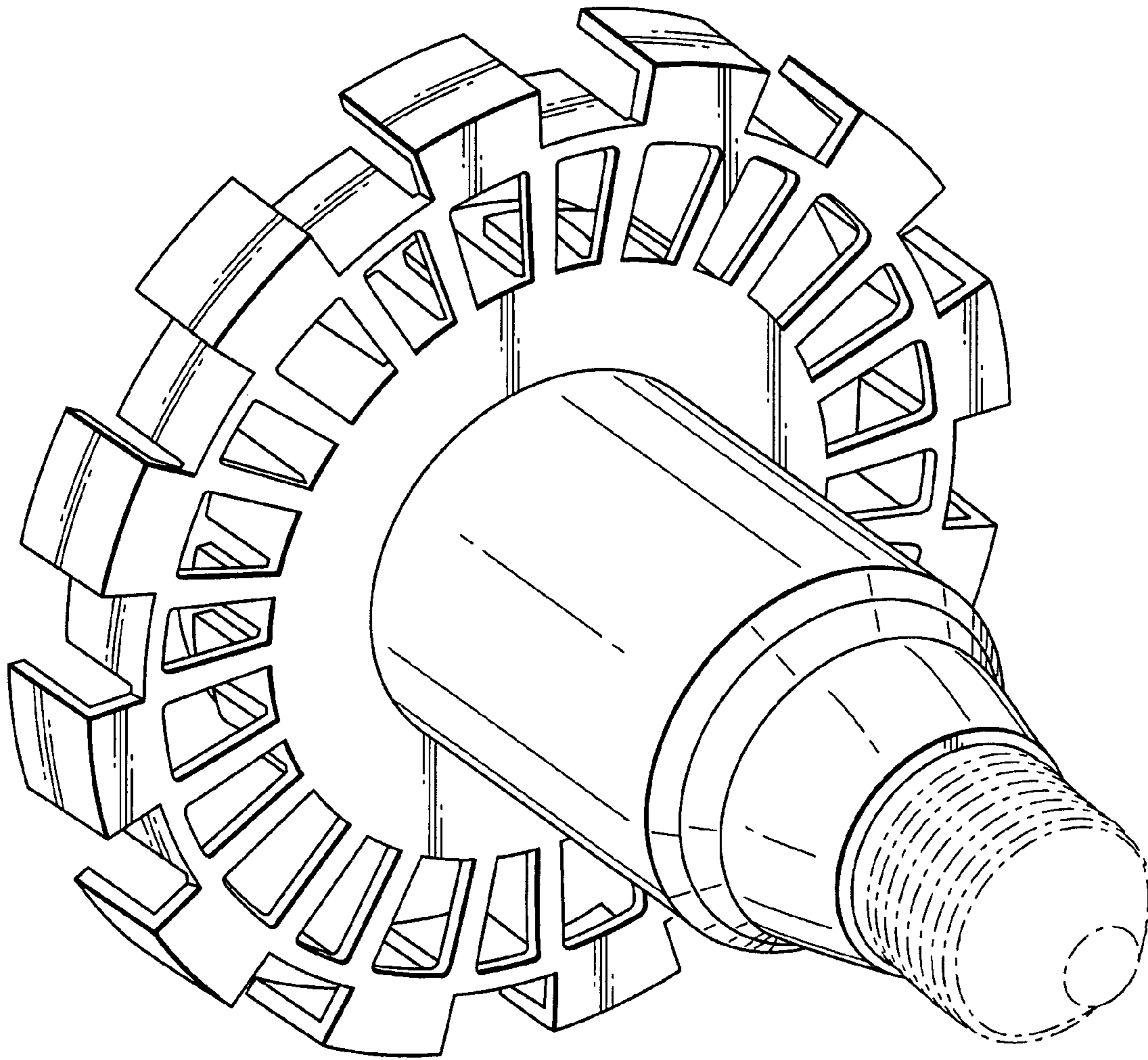


FIG. 2

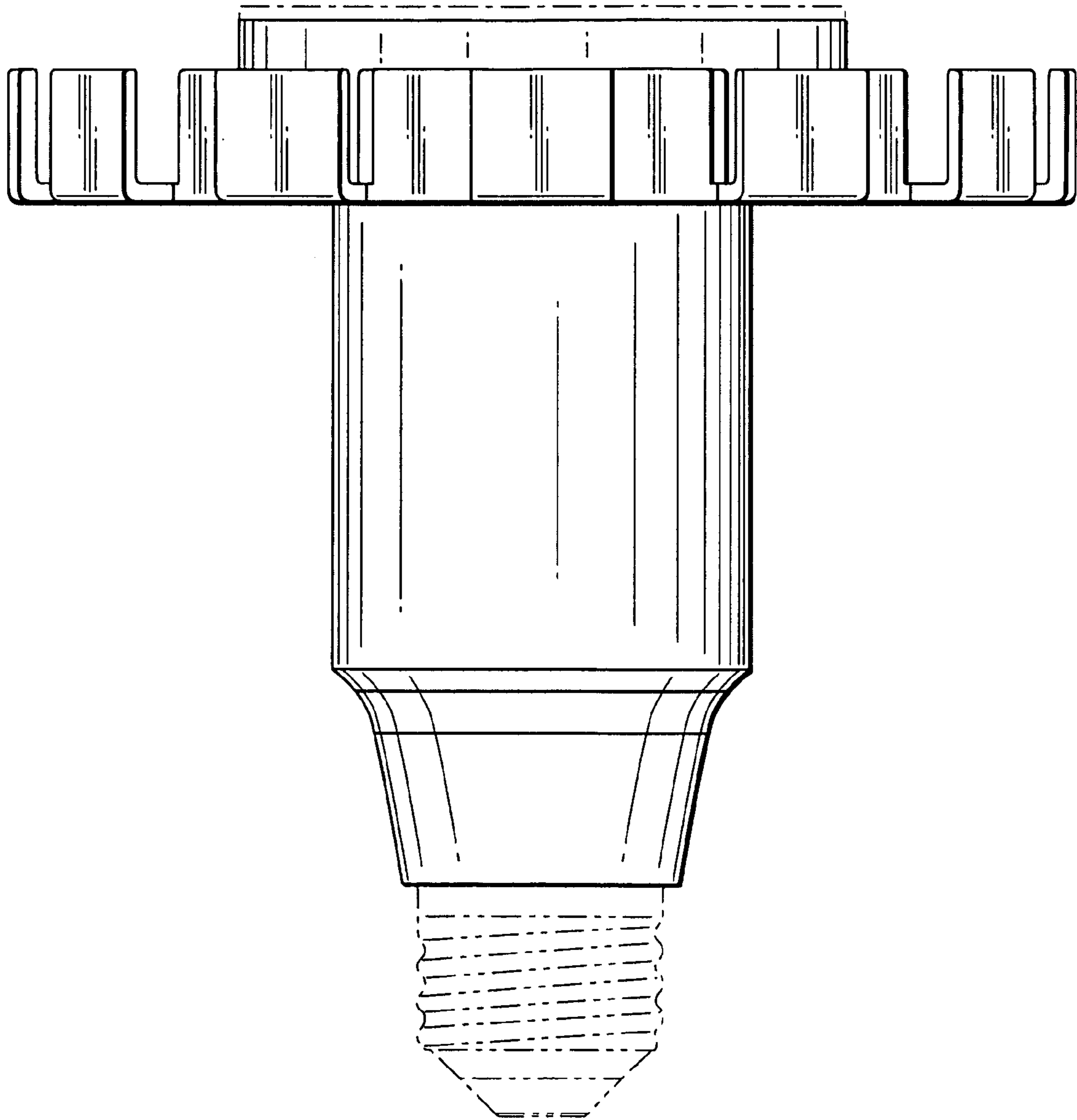


FIG. 3

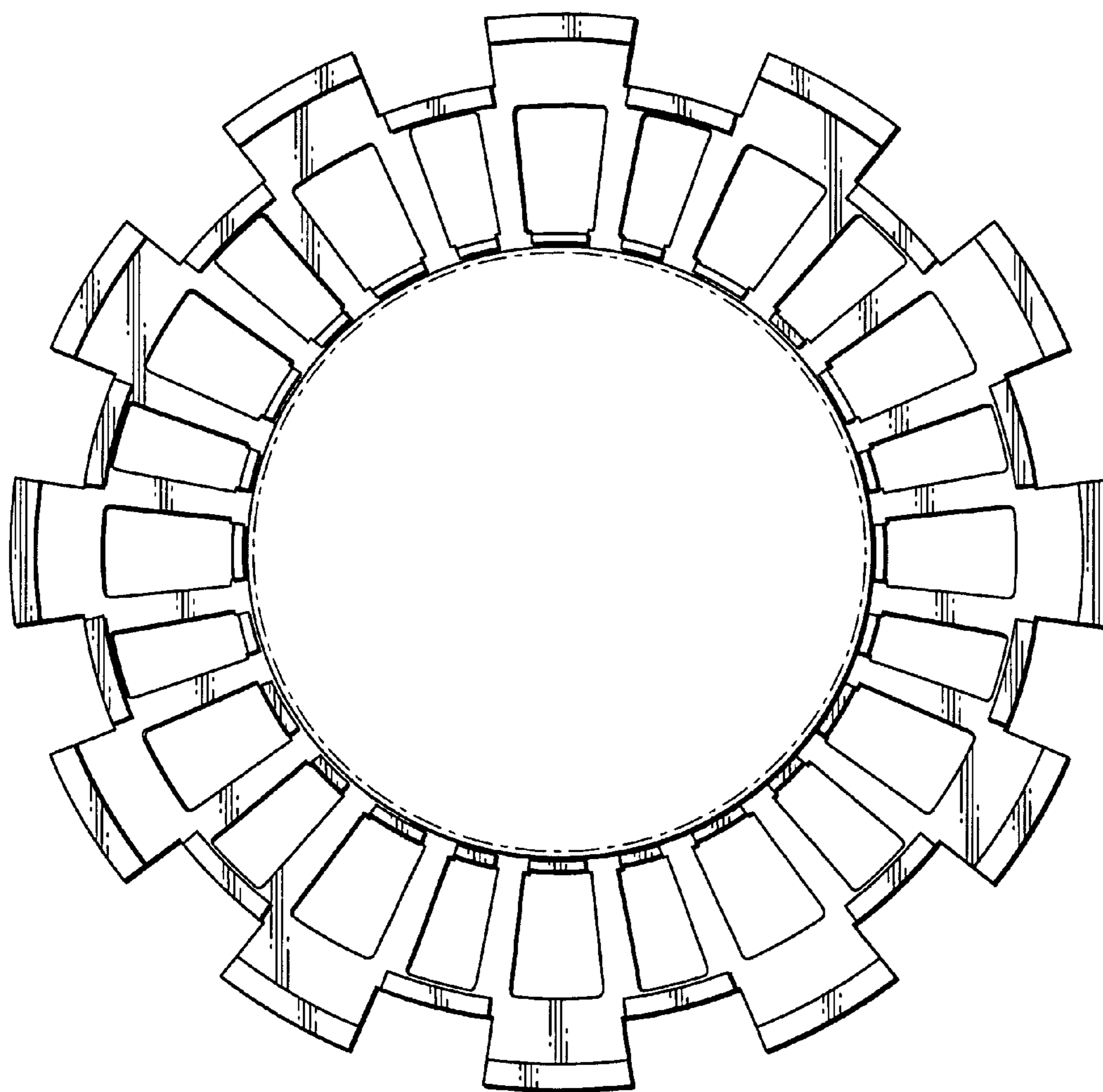


FIG. 4

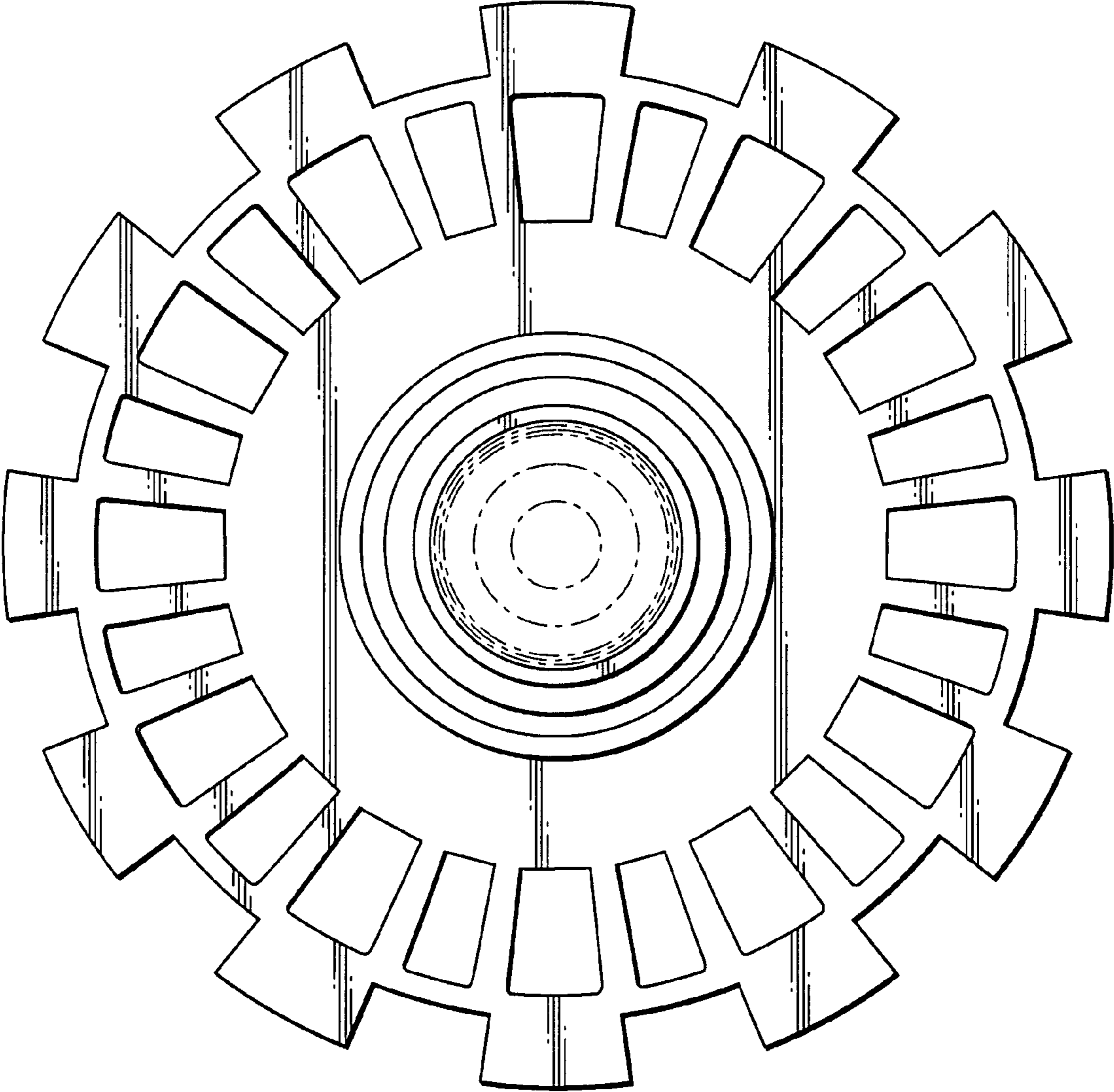


FIG. 5

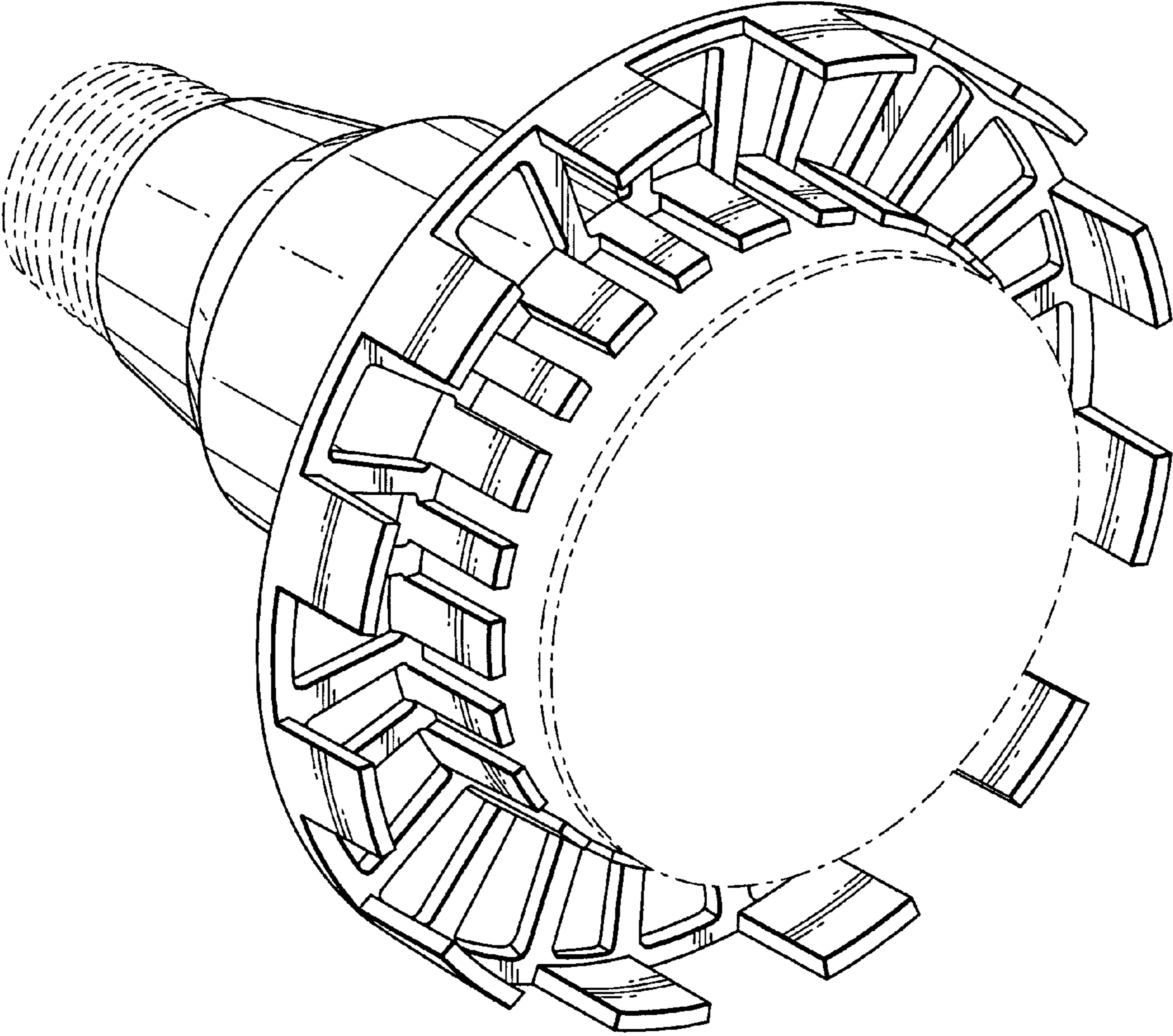


FIG. 6

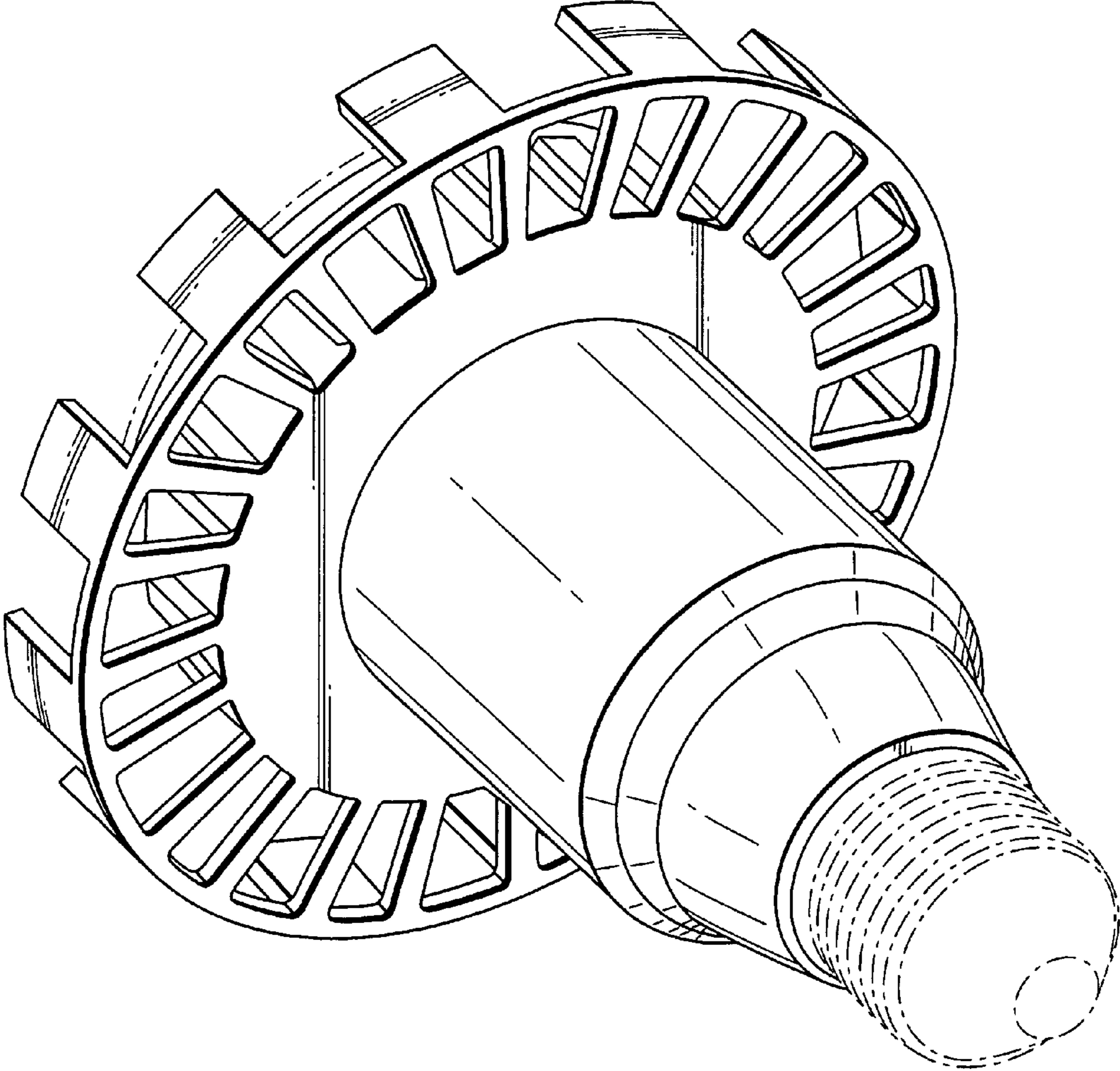


FIG. 7



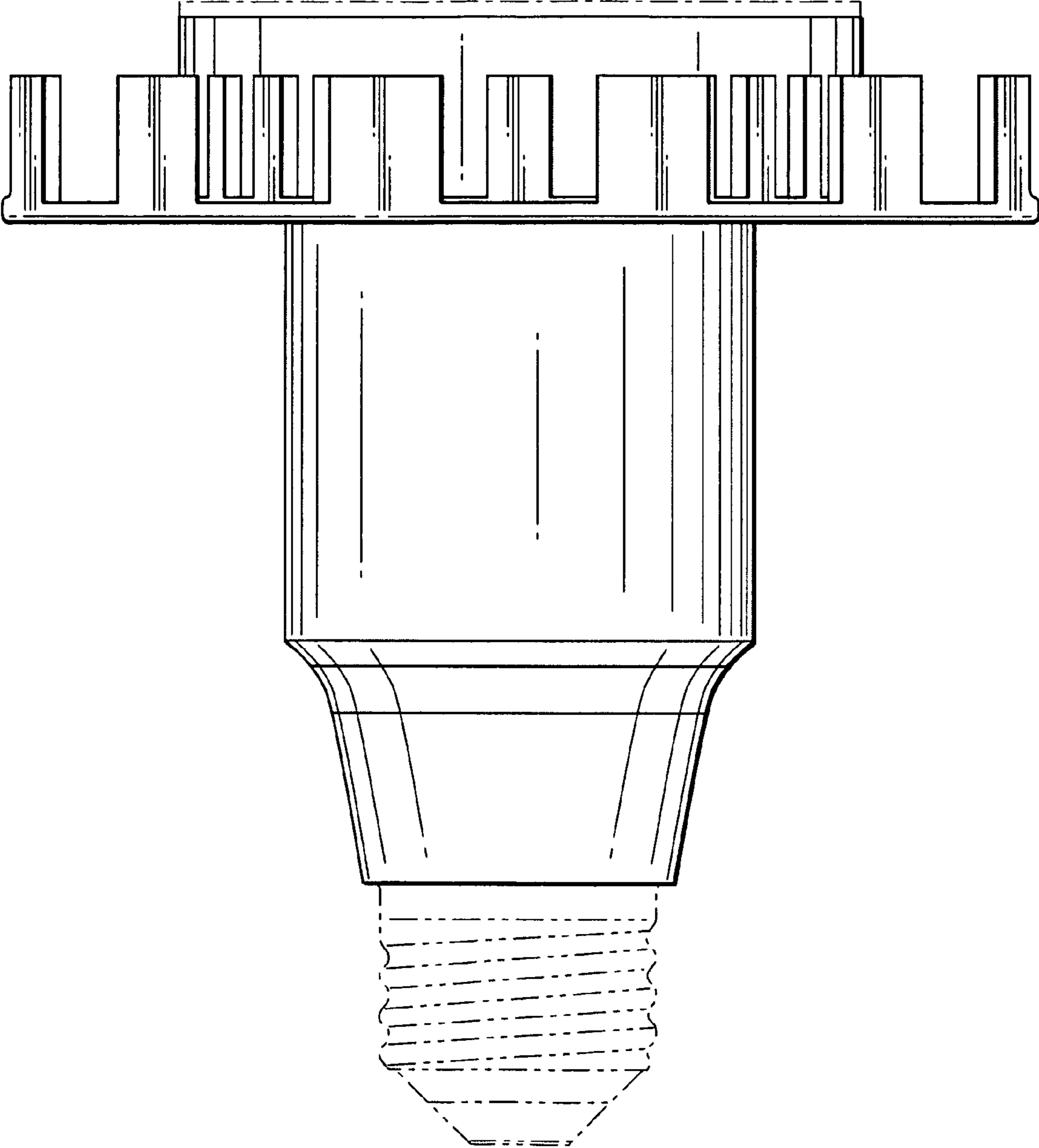


FIG. 8

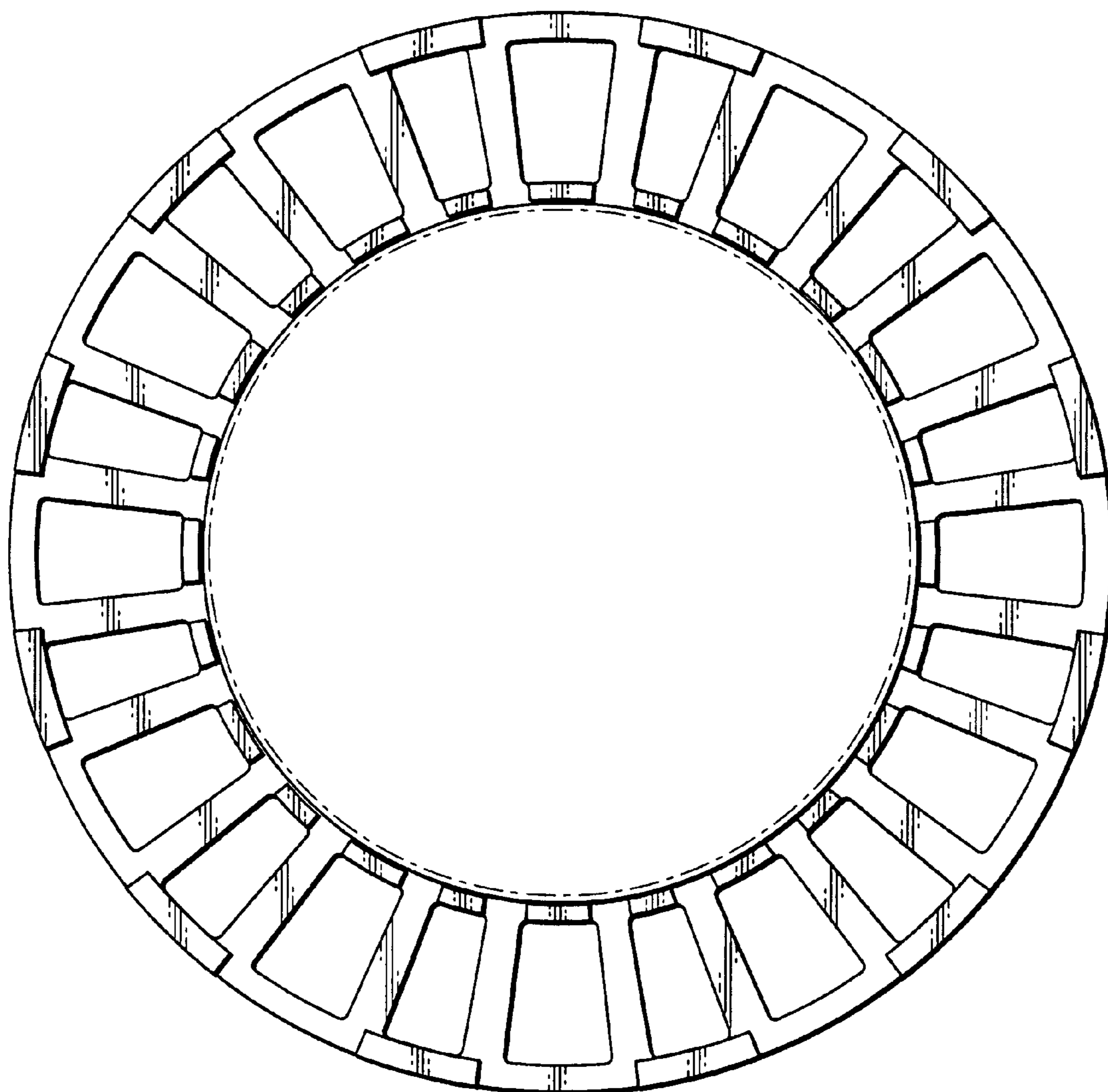


FIG. 9

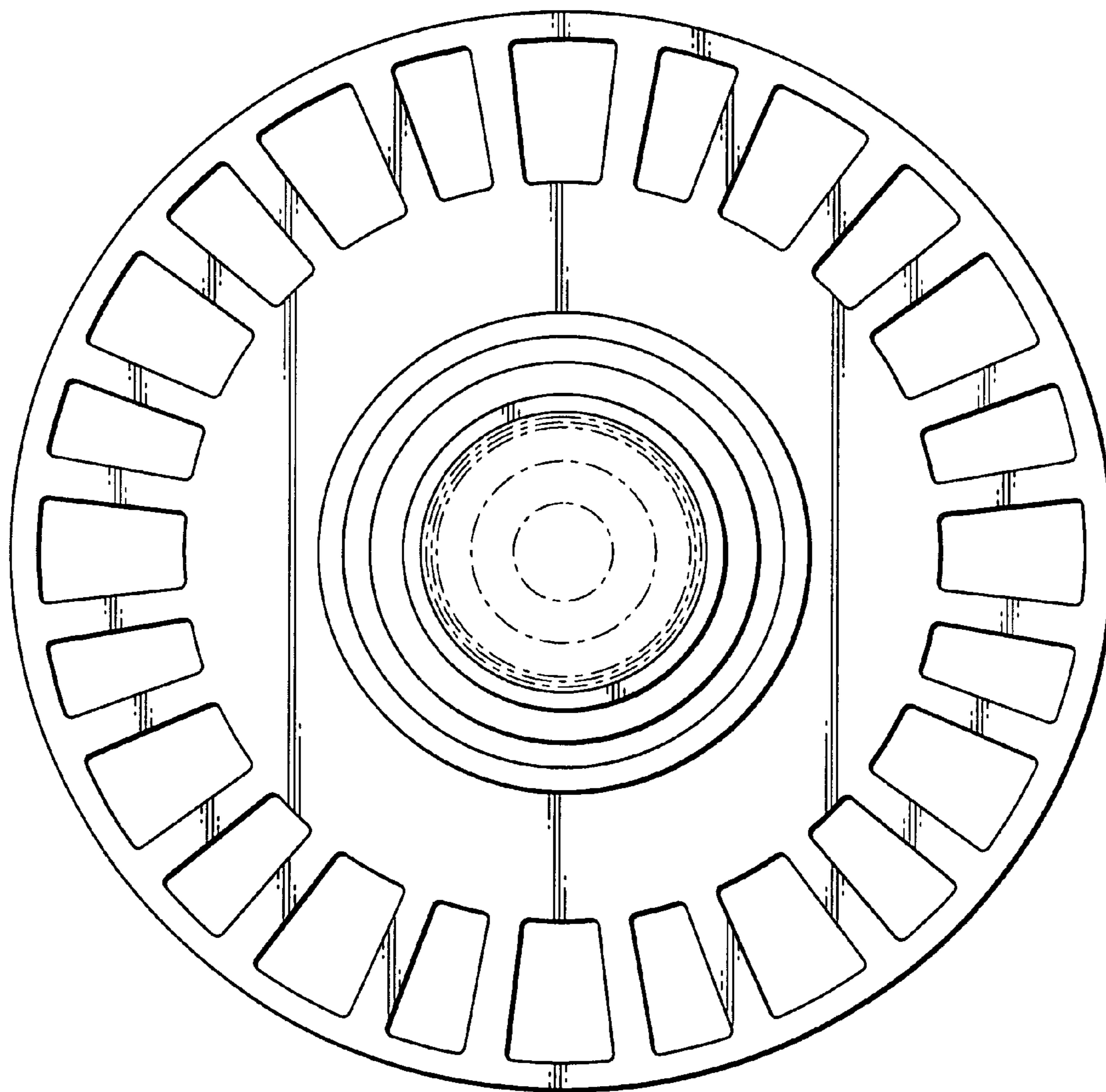


FIG. 10