

US00D667968S

(12) **United States Design Patent**  
**Shin et al.**

(10) **Patent No.:** **US D667,968 S**

(45) **Date of Patent:** **\*\* Sep. 25, 2012**

(54) **LED ILLUMINATION UNIT**

(75) Inventors: **Sang Hyun Shin**, Gyeonggi-do (KR);  
**Dae Hyun Sung**, Gyeonggi-do (KR);  
**Seok Rae Cho**, Incheon (KR)

(73) Assignee: **Wooree Lighting Co., Ltd.**,  
Gyeonggi-Do (KR)

(\*\*) Term: **14 Years**

(21) Appl. No.: **29/367,153**

(22) Filed: **Aug. 3, 2010**

(30) **Foreign Application Priority Data**

Feb. 5, 2010 (KR) ..... 30-2010-0005399

(51) **LOC (9) Cl.** ..... **26-04**

(52) **U.S. Cl.** ..... **D26/1**

(58) **Field of Classification Search** ..... D26/1-4;  
313/313, 315, 316, 317, 318, 493; 315/52,  
315/53, 56, 57, 58; D13/110, 180

See application file for complete search history.

(56) **References Cited**

**U.S. PATENT DOCUMENTS**

D509,309 S \* 9/2005 Janssen ..... D26/1  
D578,670 S \* 10/2008 Li et al. .... D26/1  
D636,900 S \* 4/2011 Chou et al. .... D26/1

D645,984 S \* 9/2011 Wang ..... D26/1  
\* cited by examiner

*Primary Examiner* — Marcus Jackson  
(74) *Attorney, Agent, or Firm* — Husch Blackwell LLP;  
Samuel Digirolamo

(57) **CLAIM**

The ornamental design for an LED illumination unit, as shown and described.

**DESCRIPTION**

FIG. 1 is a perspective view of an LED illumination unit embodying our new design;

FIG. 2 is a front elevation view thereof;

FIG. 3 is a rear elevation view thereof;

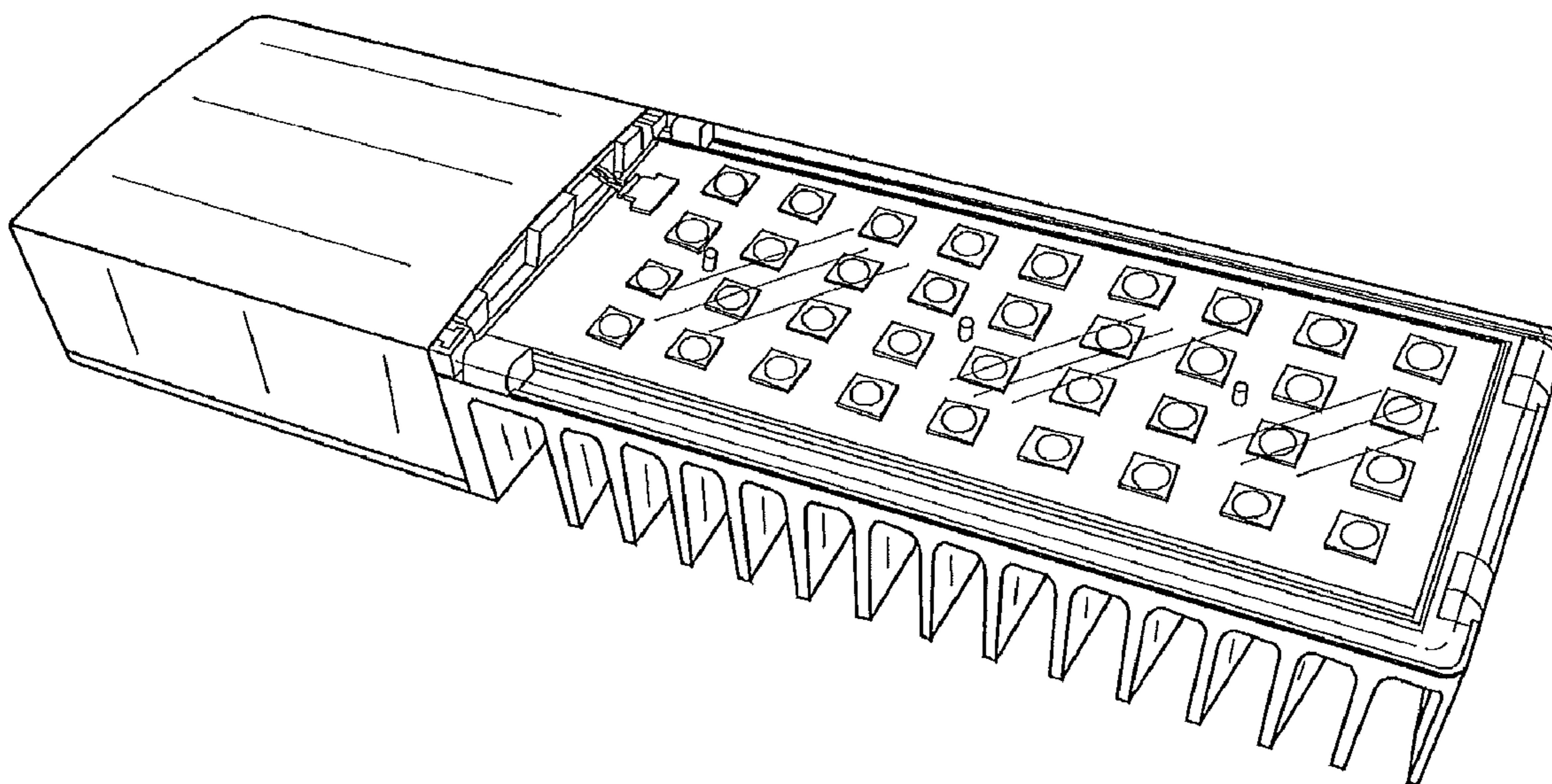
FIG. 4 is a left side elevation view thereof;

FIG. 5 is a right side elevation view thereof; and,

FIG. 6 is a bottom view thereof, the top plan view being a mirror image thereof.

A description of the appearance of the article is as follows: An LED illumination unit comprises a heat dissipation member having heat sink fins, a substrate equipped with a plurality of LEDs, a cover formed of light transmitting material, and an opaque box positioned on sides of the heat dissipation member, the substrate and the cover. The substrate is positioned on the heat dissipation member. The cover covers the substrate. The newly designed article can be used in illuminating a space.

**1 Claim, 2 Drawing Sheets**



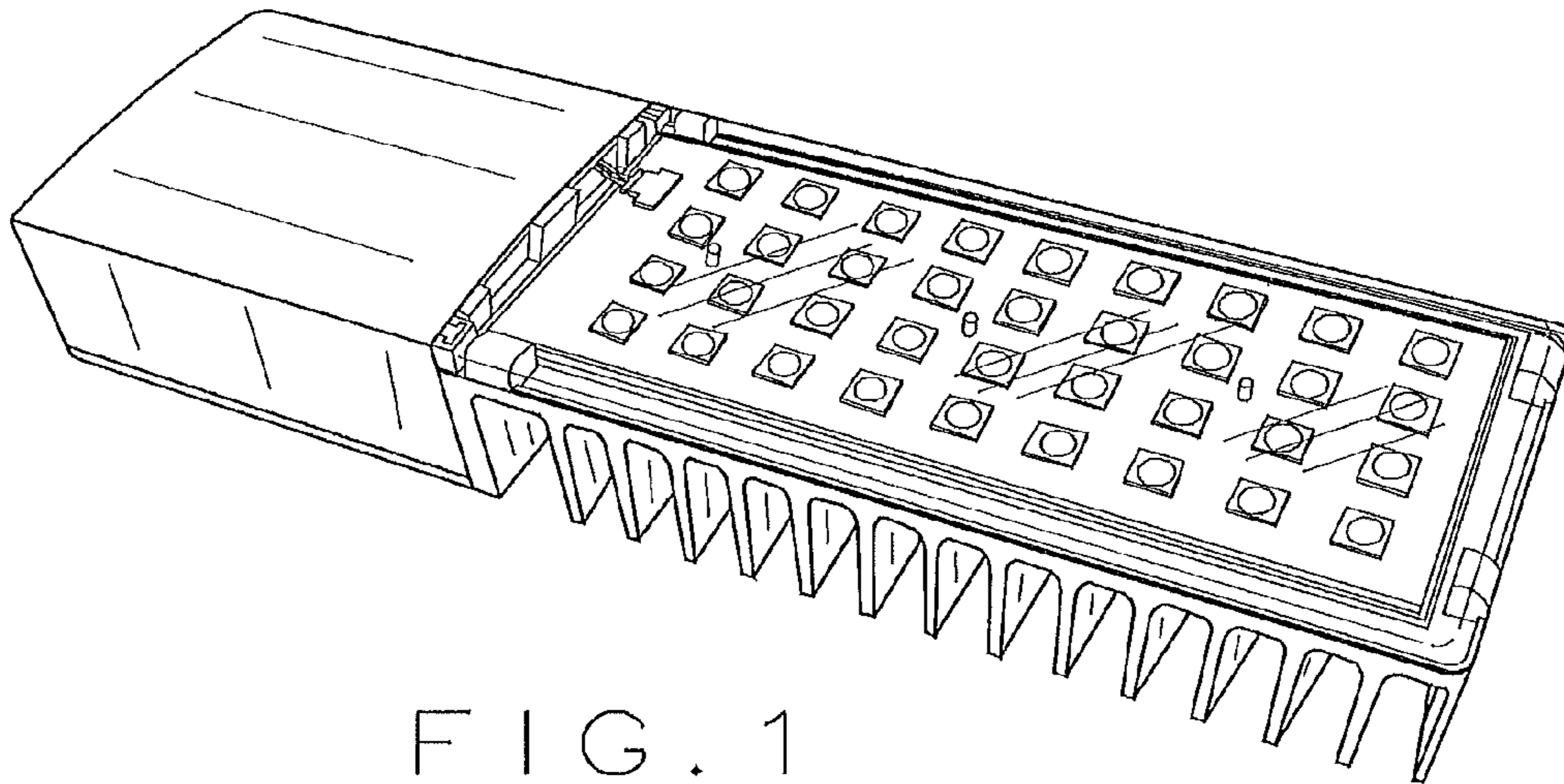


FIG. 1

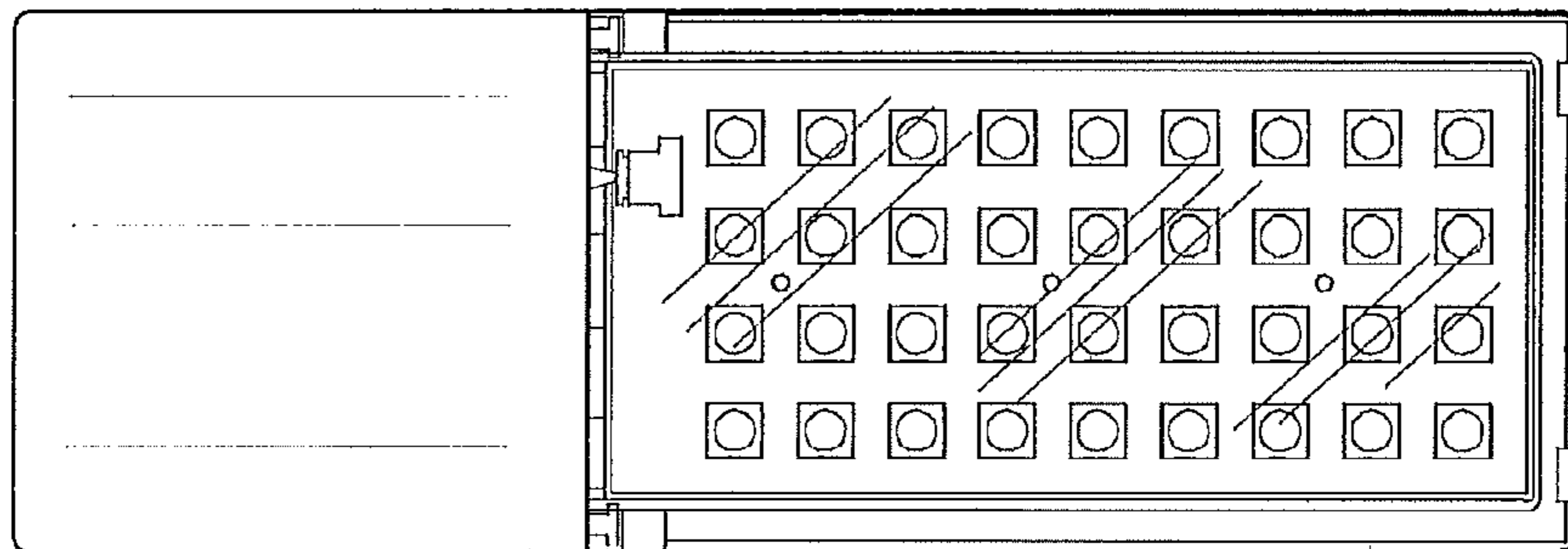


FIG. 2

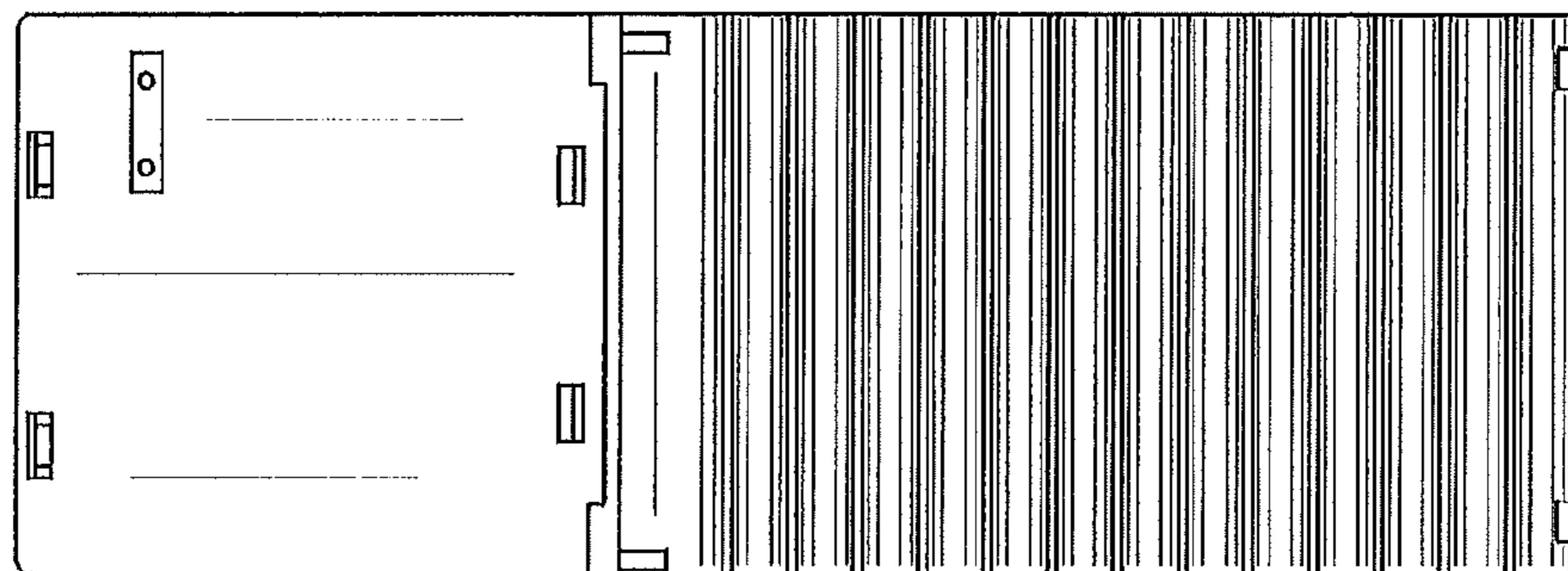


FIG. 3

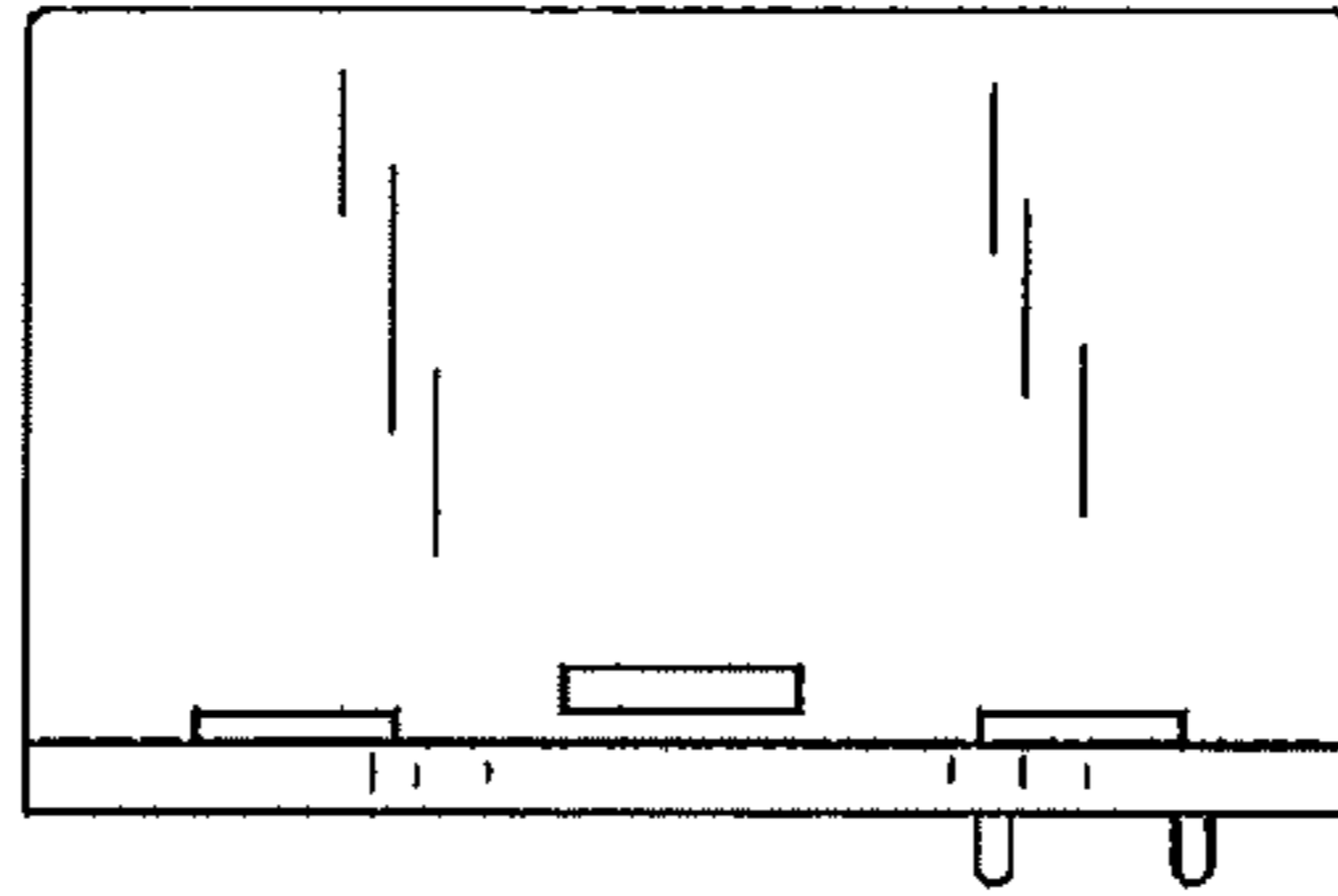


FIG. 4

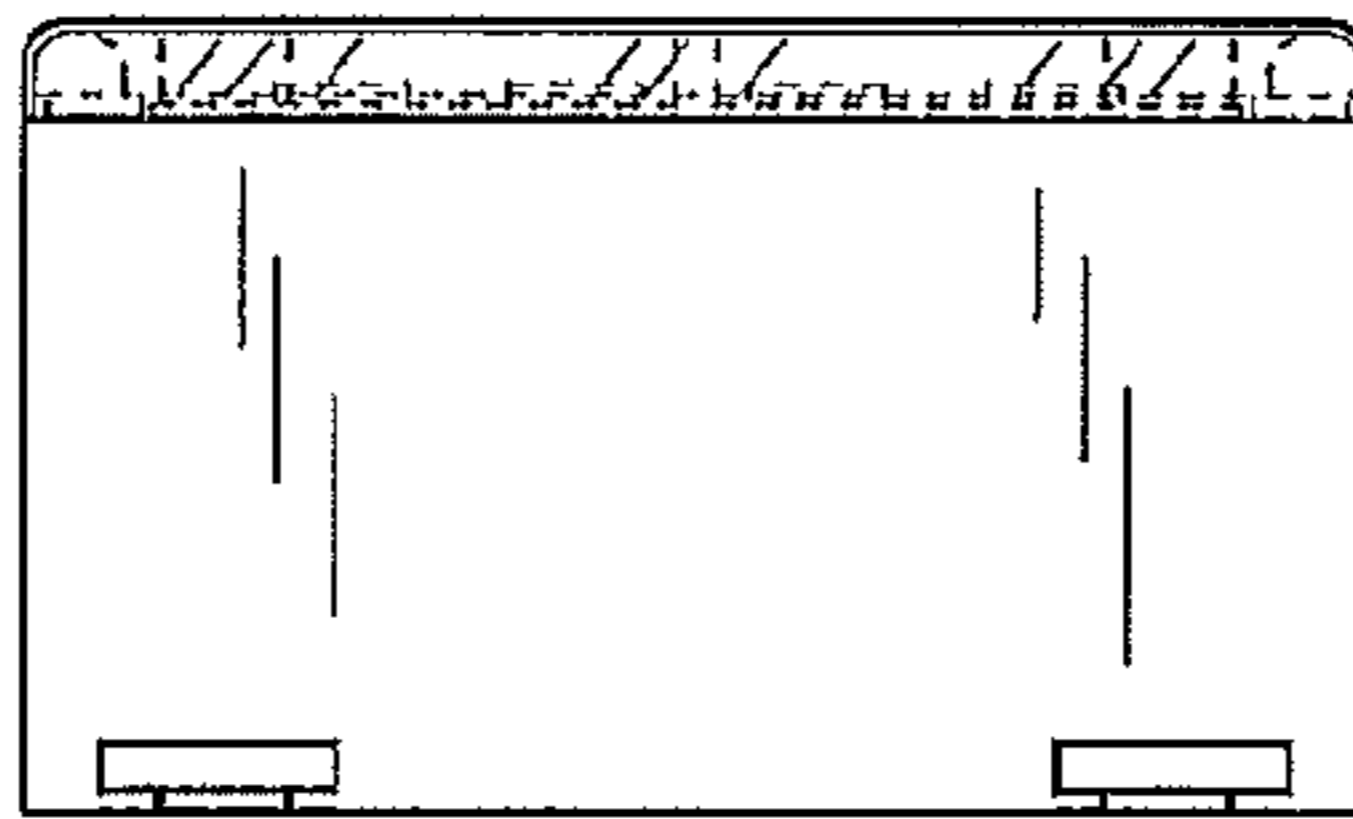


FIG. 5

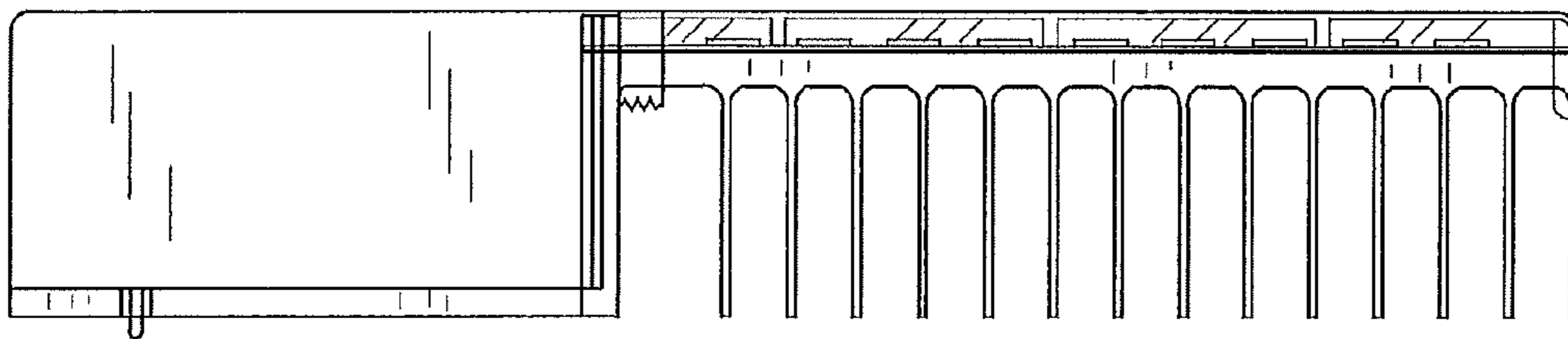


FIG. 6