



US00D667967S

(12) **United States Design Patent**  
**Ismay et al.**

(10) **Patent No.:** **US D667,967 S**  
(45) **Date of Patent:** **\*\* Sep. 25, 2012**

(54) **WAVE RIPPLE PANEL**

(75) Inventors: **Allan R. Ismay**, Sylvania Heights (AU);  
**Richard C. Perrior**, Oatley (AU)

(73) Assignee: **3form, Inc.**, Salt Lake City, UT (US)

(\*\*) Term: **14 Years**

(21) Appl. No.: **29/420,714**

(22) Filed: **May 11, 2012**

5,537,792 A	7/1996	Moliere
5,584,566 A	12/1996	Bowman et al.
5,623,800 A	4/1997	Shinkosky
5,803,560 A	9/1998	Trulaske et al.
5,809,709 A	9/1998	Ryan et al.
5,809,729 A	9/1998	Mitchell
6,209,271 B1	4/2001	Kovacs
D464,737 S *	10/2002	Gulbrandsen et al. .... D25/58
6,694,694 B2	2/2004	Zeeff
7,131,747 B1	11/2006	Yates
7,784,229 B2	8/2010	Ismay
2002/0059777 A1	5/2002	Saebi
2006/0016145 A1	1/2006	Lonneman
2007/0017171 A1	1/2007	Ismay

**Related U.S. Application Data**

(63) Continuation of application No. 12/846,601, filed on Jul. 29, 2010, now Pat. No. 8,220,215.

(51) **LOC (9) Cl.** ..... **25-01**

(52) **U.S. Cl.** ..... **D25/138**

(58) **Field of Classification Search** ..... 52/127.3,  
52/127.6, 127.4, 238.1, 311.2, 311.1, 450,  
52/506.06, 507, 798.1, 650.3, 664, 671, 674;  
D25/58, 138

See application file for complete search history.

**FOREIGN PATENT DOCUMENTS**

AU	23436/70	6/1972
DE	201 08 950	9/2001
EP	0 414 519	2/1991
NL	8 702 073	4/1989
WO	95/18900	7/1995
WO	98/09038	3/1998

\* cited by examiner

*Primary Examiner* — Doris Clark

(74) *Attorney, Agent, or Firm* — Workman Nydegger

(56) **References Cited**

**U.S. PATENT DOCUMENTS**

D200,005 S *	1/1965	Hirashiki	.....	D25/58
3,193,434 A *	7/1965	Weiss	.....	428/46
3,386,220 A	6/1968	Staats		
3,388,515 A	6/1968	Gruettner		
3,513,608 A	5/1970	Nagro		
4,083,153 A	4/1978	Sumpter		
4,121,396 A	10/1978	Oogami et al.		
4,571,897 A	2/1986	Kerr		
4,694,543 A	9/1987	Conley		
4,696,136 A	9/1987	Grewe		
4,723,386 A	2/1988	Sandow		
4,769,877 A	9/1988	Conley		
5,214,891 A	6/1993	Edlin		
5,276,598 A	1/1994	Hedenstrom et al.		
5,290,621 A *	3/1994	Bach et al.	.....	428/176

**CLAIM**

The ornamental design for a wave ripple panel, as shown and described.

**DESCRIPTION**

FIG. 1 is a top right perspective view of a wave ripple panel including our design;

FIG. 2 is a front, facing view thereof;

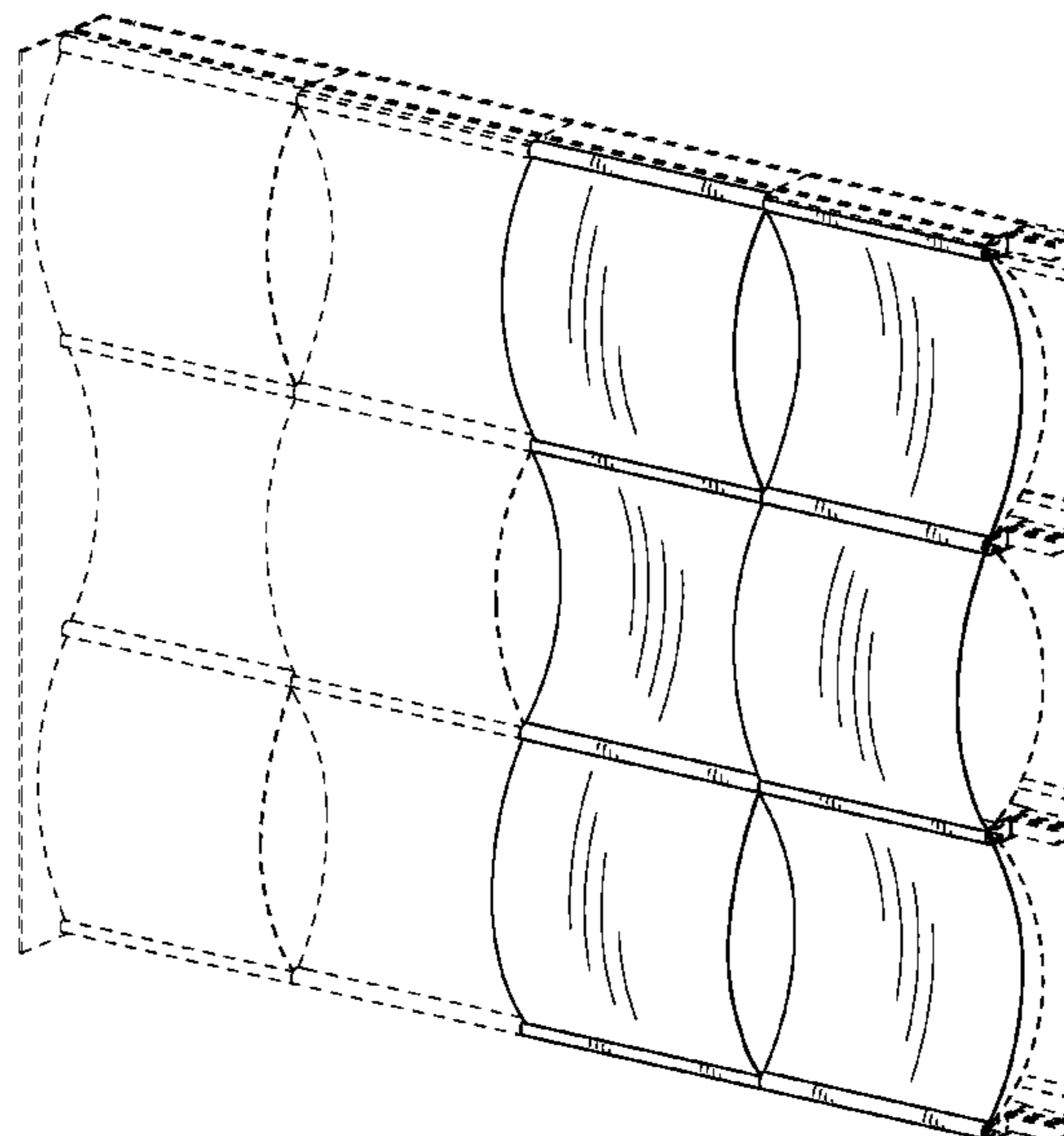
FIG. 3 is an elevated right side view thereof;

FIG. 4 is top plan view thereof; and,

FIG. 5 is a bottom plan view thereof.

The broken lines are included for the purpose of showing environmental portions of the wave ripple panel and form no part of the claimed design.

**1 Claim, 4 Drawing Sheets**



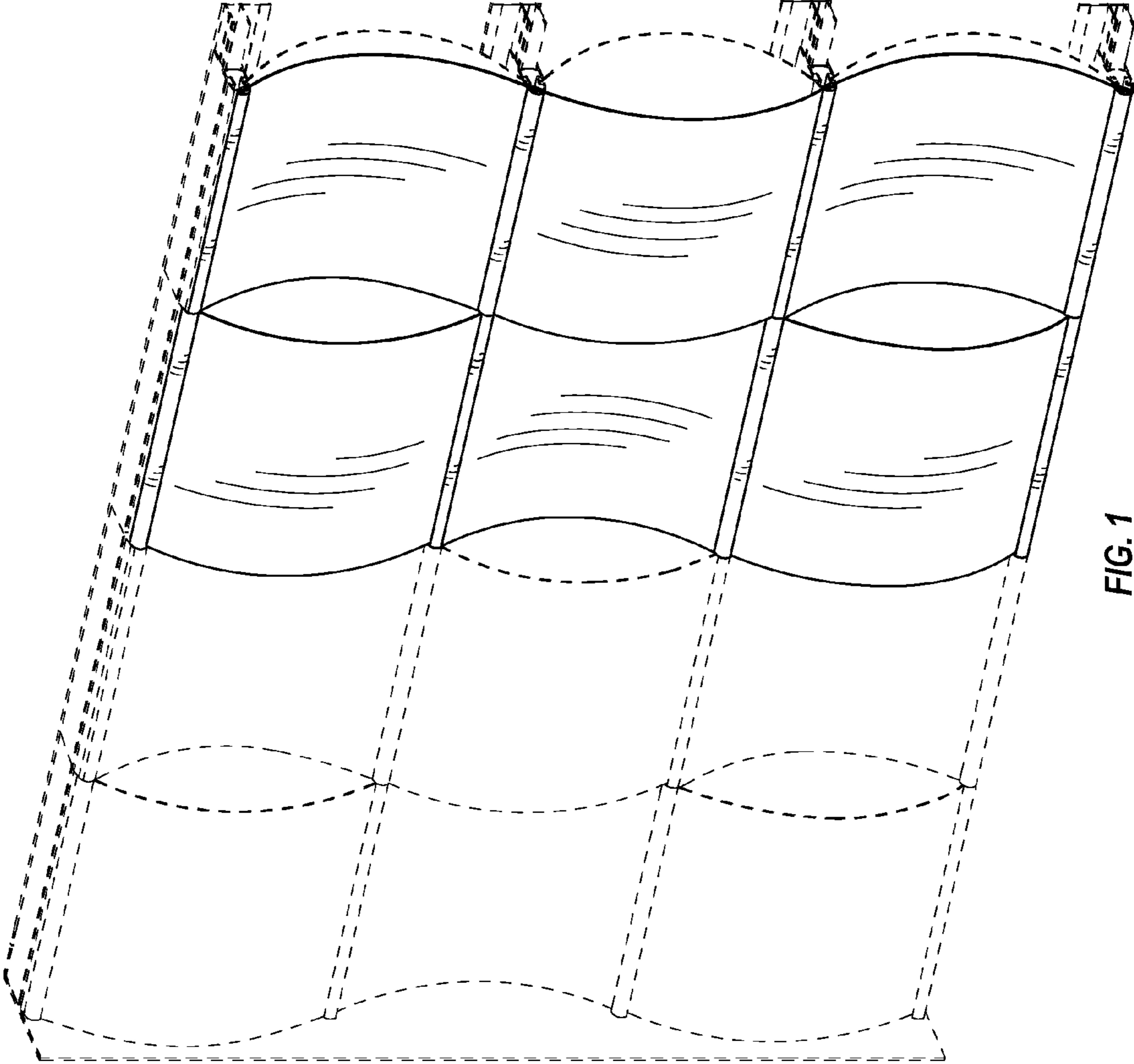


FIG. 1

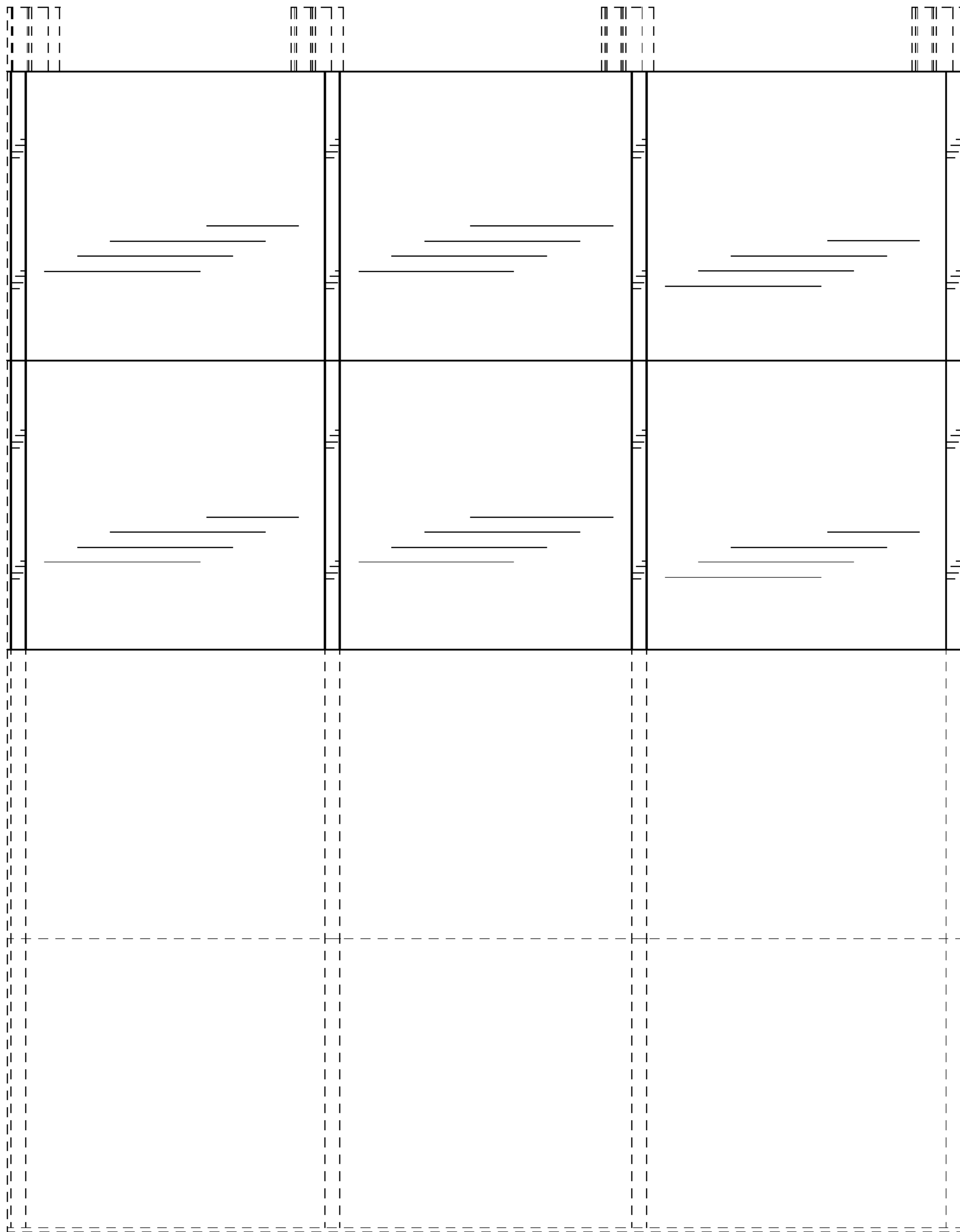


FIG. 2

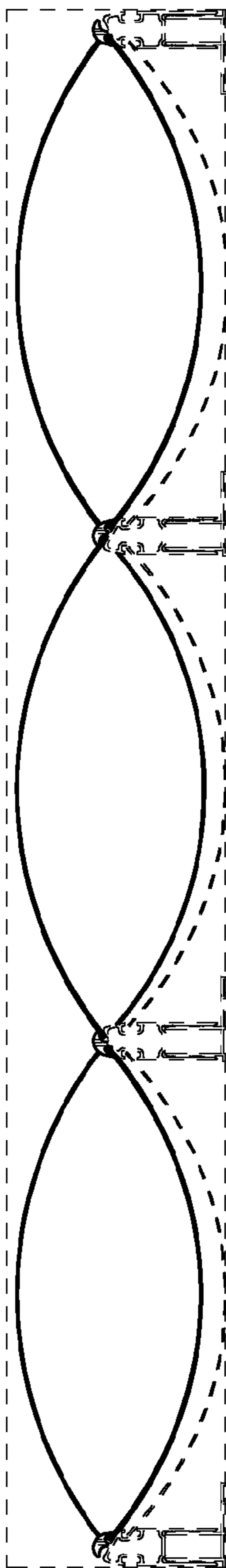


FIG. 3

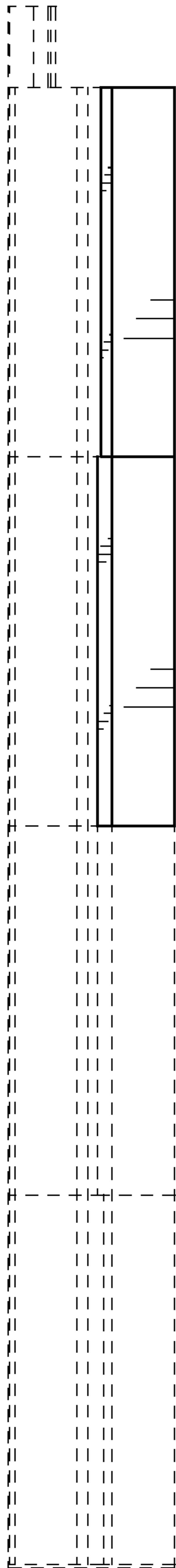


FIG. 4

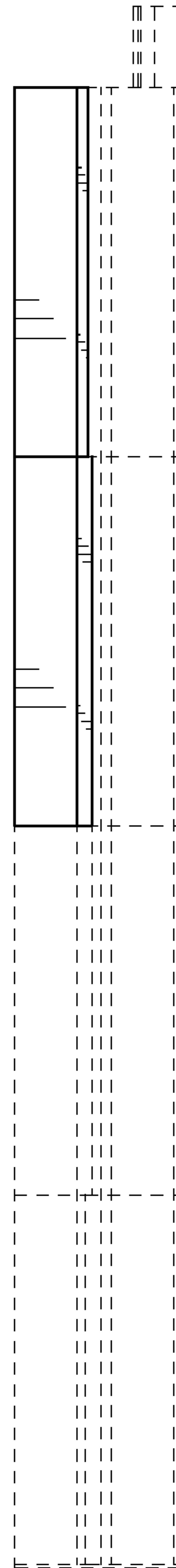


FIG. 5