



US00D667965S

(12) **United States Design Patent**
Tuan

(10) **Patent No.:** **US D667,965 S**

(45) **Date of Patent:** **** Sep. 25, 2012**

(54) **MODULAR FLOOR TILE**

(76) Inventor: **Ting-An Tuan**, Zhongli (TW)

(**) Term: **14 Years**

(21) Appl. No.: **29/387,918**

(22) Filed: **Mar. 21, 2011**

(51) **LOC (9) Cl.** **25-01**

(52) **U.S. Cl.** **D25/138**

(58) **Field of Classification Search** 52/403.1,
52/390, 311.2, 384, 391, 415, 568, 571, 588.1,
52/587; 428/49, 50, 51, 44; D25/138

See application file for complete search history.

(56) **References Cited**

U.S. PATENT DOCUMENTS

4,603,532 A * 8/1986 Watson 52/802.11
4,709,519 A * 12/1987 Liefer et al. 52/98

5,806,270 A * 9/1998 Solano et al. 52/747.11
D406,360 S * 3/1999 Finkell, Jr. D25/138
D497,212 S * 10/2004 Poliacek et al. D25/138

* cited by examiner

Primary Examiner — Doris Clark

(74) *Attorney, Agent, or Firm* — Egbert Law Offices, PLLC

(57) **CLAIM**

The ornamental design for a modular floor tile, as shown and described.

DESCRIPTION

FIG. 1 is an upper perspective view of the modular floor tile showing my design.

FIG. 2 is a front elevation view thereof;

FIG. 3 is a back elevation view thereof;

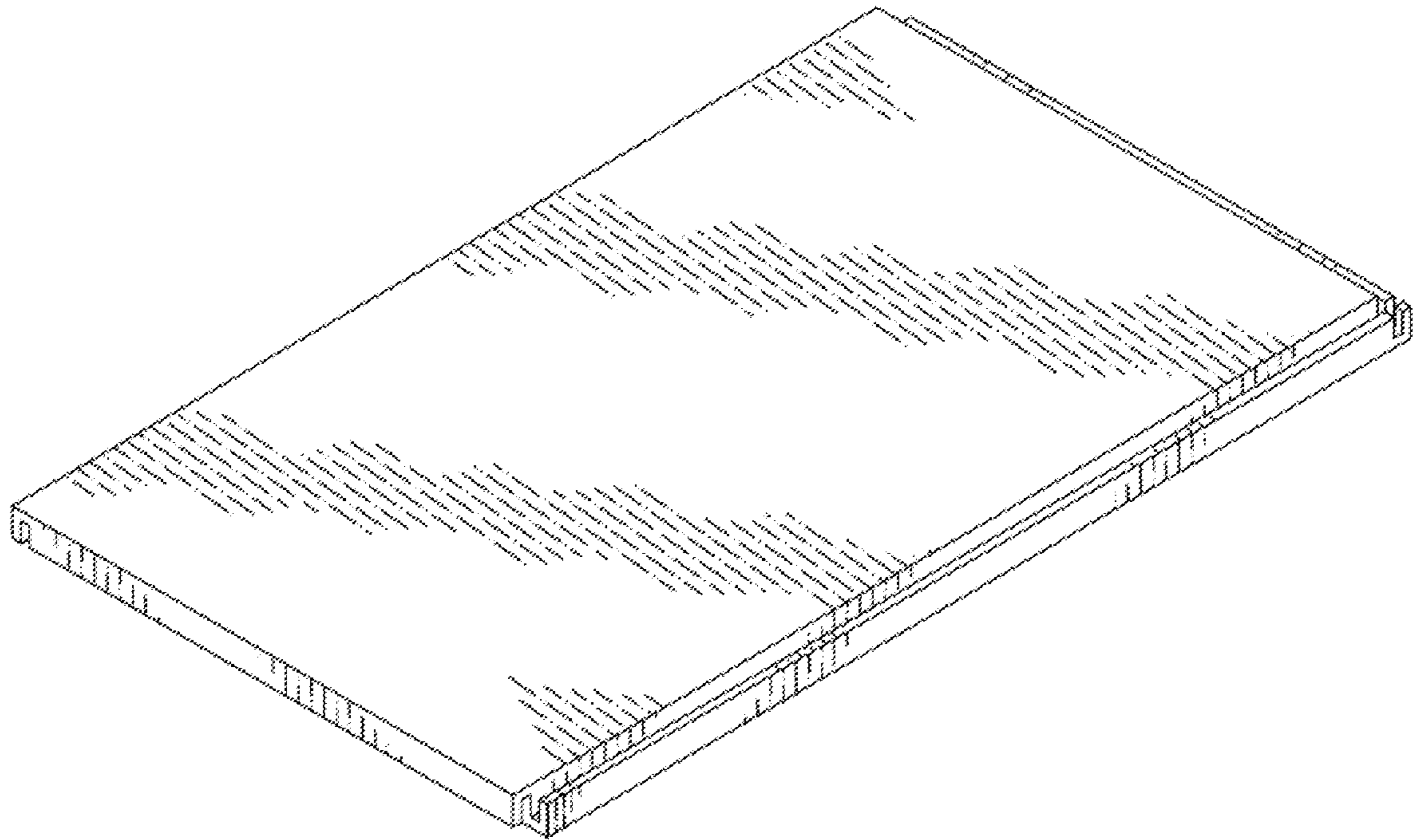
FIG. 4 is a side elevation view thereof;

FIG. 5 is an opposite side elevation view thereof;

FIG. 6 is top plan view thereof; and,

FIG. 7 is a bottom view thereof.

1 Claim, 5 Drawing Sheets



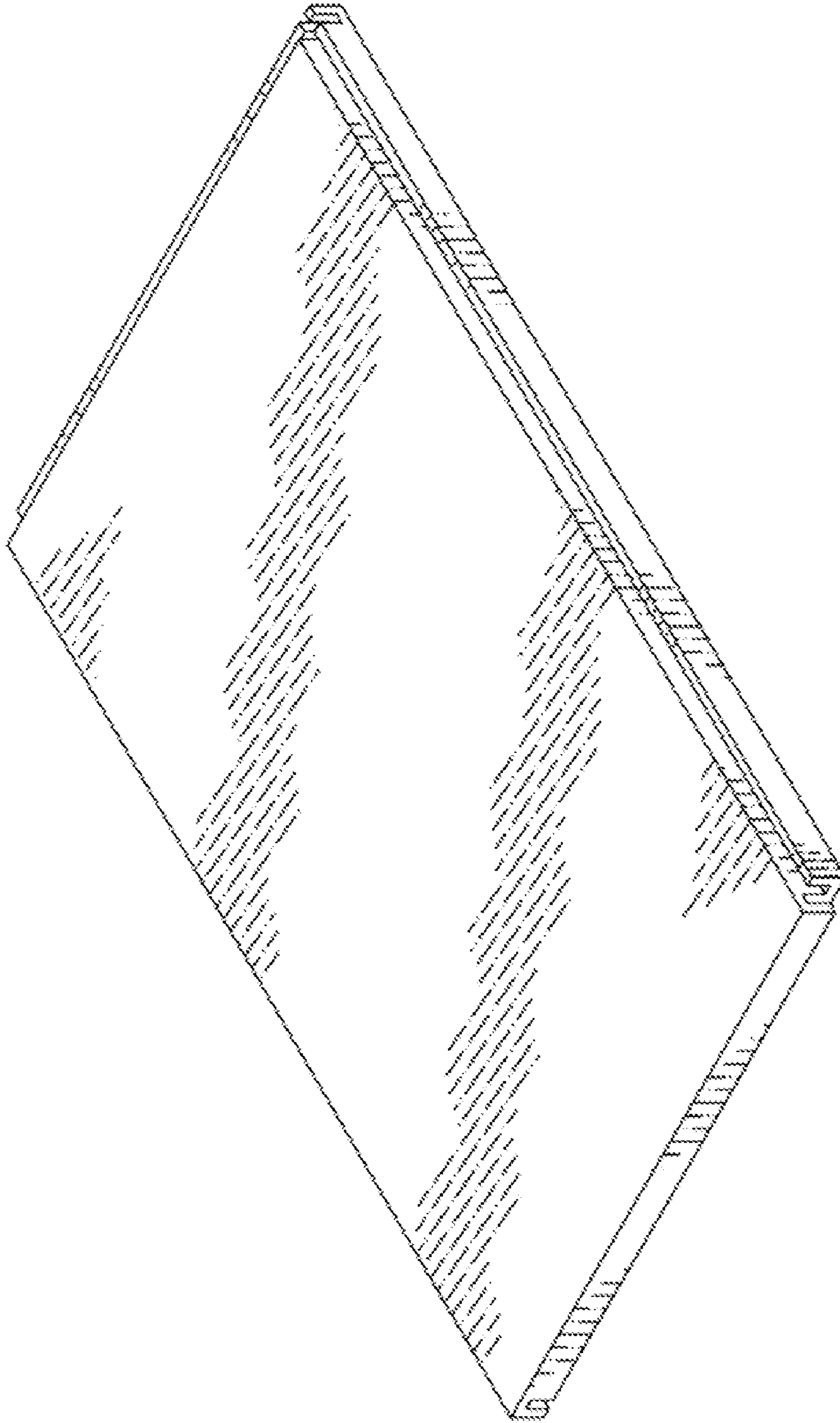


FIG. 1

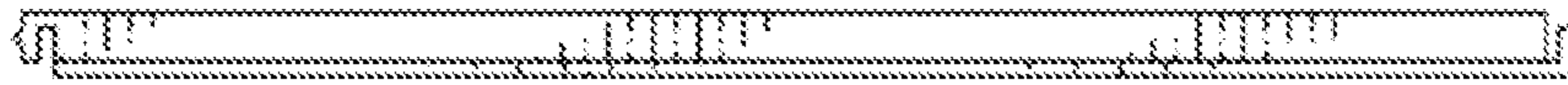


FIG. 2

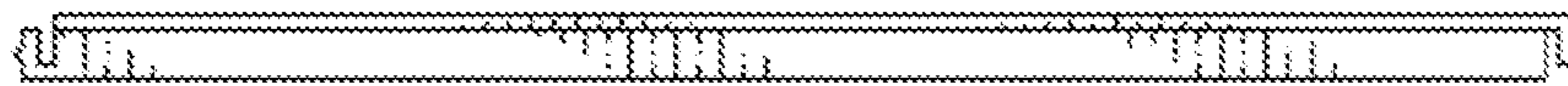


FIG. 3

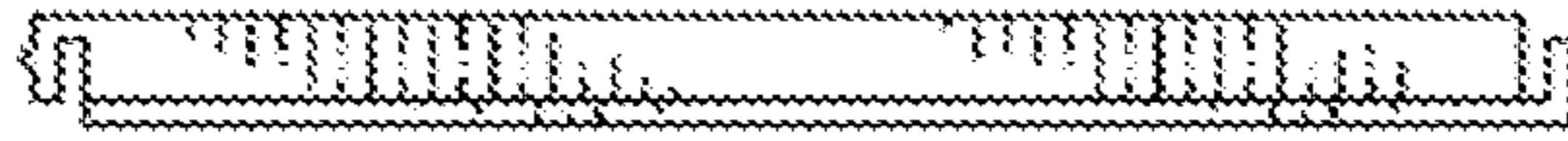


FIG. 4

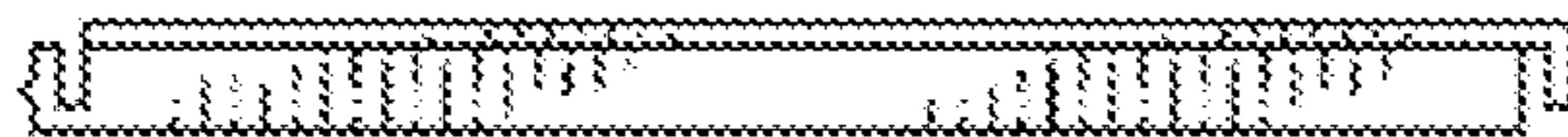


FIG. 5

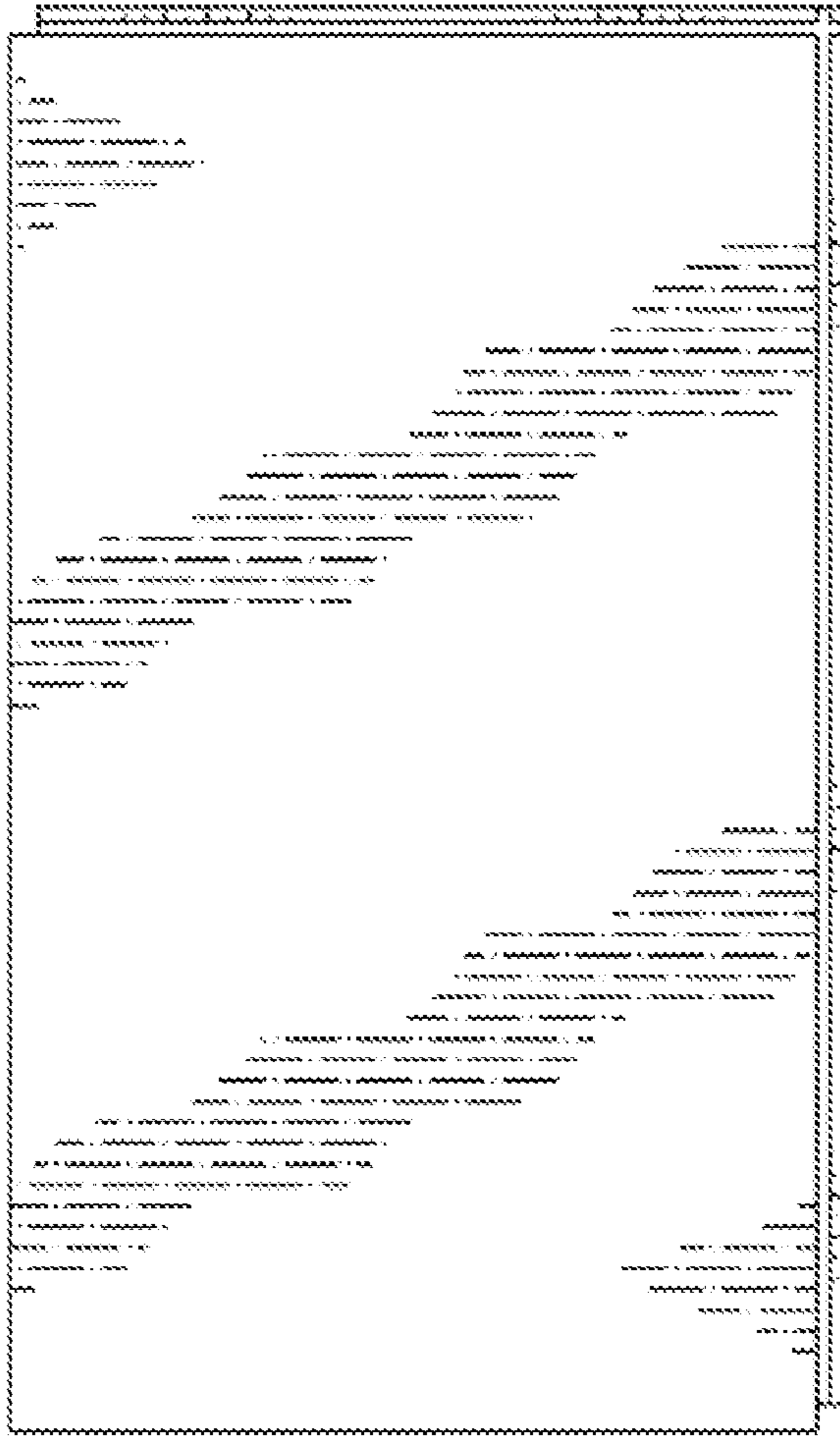


FIG. 6

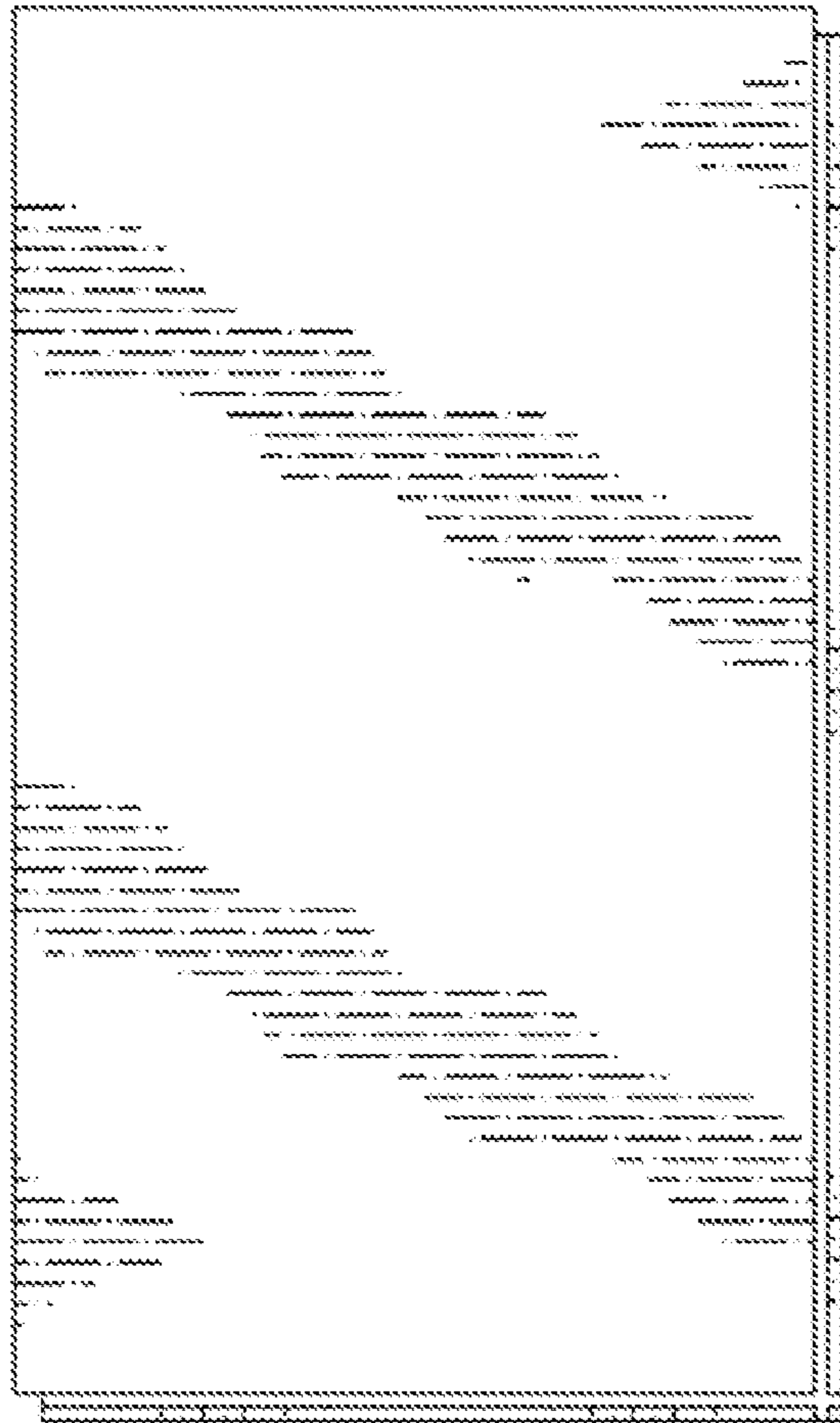


FIG. 7