



US00D667964S

(12) **United States Design Patent**  
**Chung**

(10) **Patent No.:** **US D667,964 S**

(45) **Date of Patent:** **\*\* Sep. 25, 2012**

(54) **BASE FASTENER FOR A BALUSTER**

*Primary Examiner* — Robert Delehanty

(76) Inventor: **Min-Ju Chung**, Taichung (TW)

(74) *Attorney, Agent, or Firm* — Whyte Hirschboeck Dudek SC

(\*\*) Term: **14 Years**

(21) Appl. No.: **29/393,244**

(57) **CLAIM**

The ornamental design for base fastener for a baluster, as shown and described.

(22) Filed: **Jun. 1, 2011**

(51) **LOC (9) Cl.** ..... **25-01**

(52) **U.S. Cl.** ..... **D25/133; D25/48.5; 256/65.14**

(58) **Field of Classification Search** ..... D25/38.1,  
D25/39, 42, 43, 44, 48.5, 126, 133; 256/22,  
256/34, 73, 27, 31, 65.14; 52/153

See application file for complete search history.

**DESCRIPTION**

FIG. 1 is a perspective view of base fastener for a baluster showing my new design;  
FIG. 2 is a front elevational view thereof;  
FIG. 3 is a rear elevational view thereof;  
FIG. 4 is a left side elevational view thereof;  
FIG. 5 is a right side elevational view thereof;  
FIG. 6 is a top plan view thereof; and,  
FIG. 7 is a bottom plan view thereof.

The broken line showing interior central top portion is included for the purpose of illustrating a portion of the base that forms no part of the claimed design.

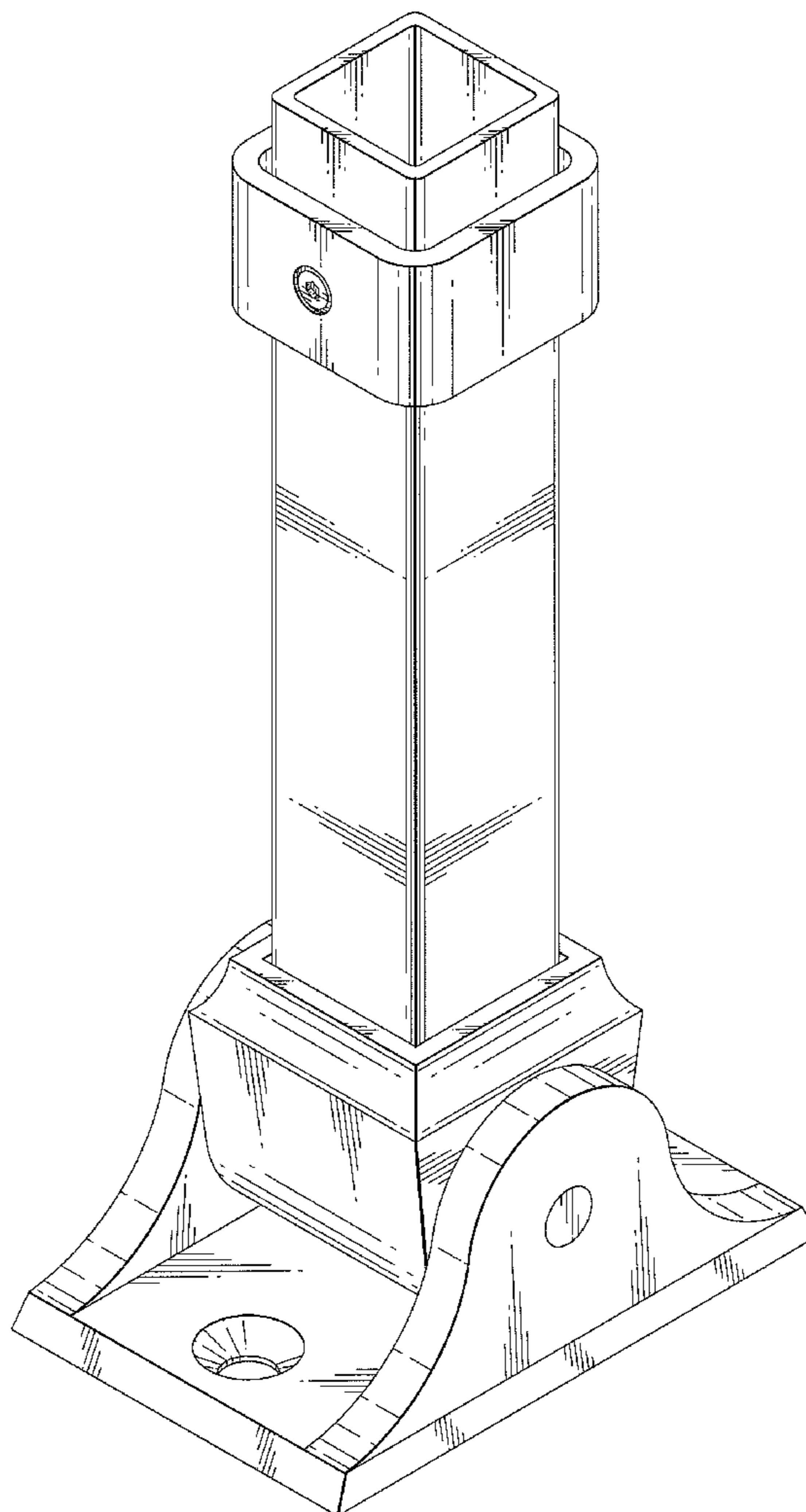
(56) **References Cited**

**U.S. PATENT DOCUMENTS**

D26,363 S *	12/1896	Thomas	.....	D25/126
5,364,076 A *	11/1994	Nicholls	.....	256/24
D600,363 S *	9/2009	Svedberg	.....	D25/133
8,033,530 B2 *	10/2011	Timothy	.....	256/22

\* cited by examiner

**1 Claim, 6 Drawing Sheets**



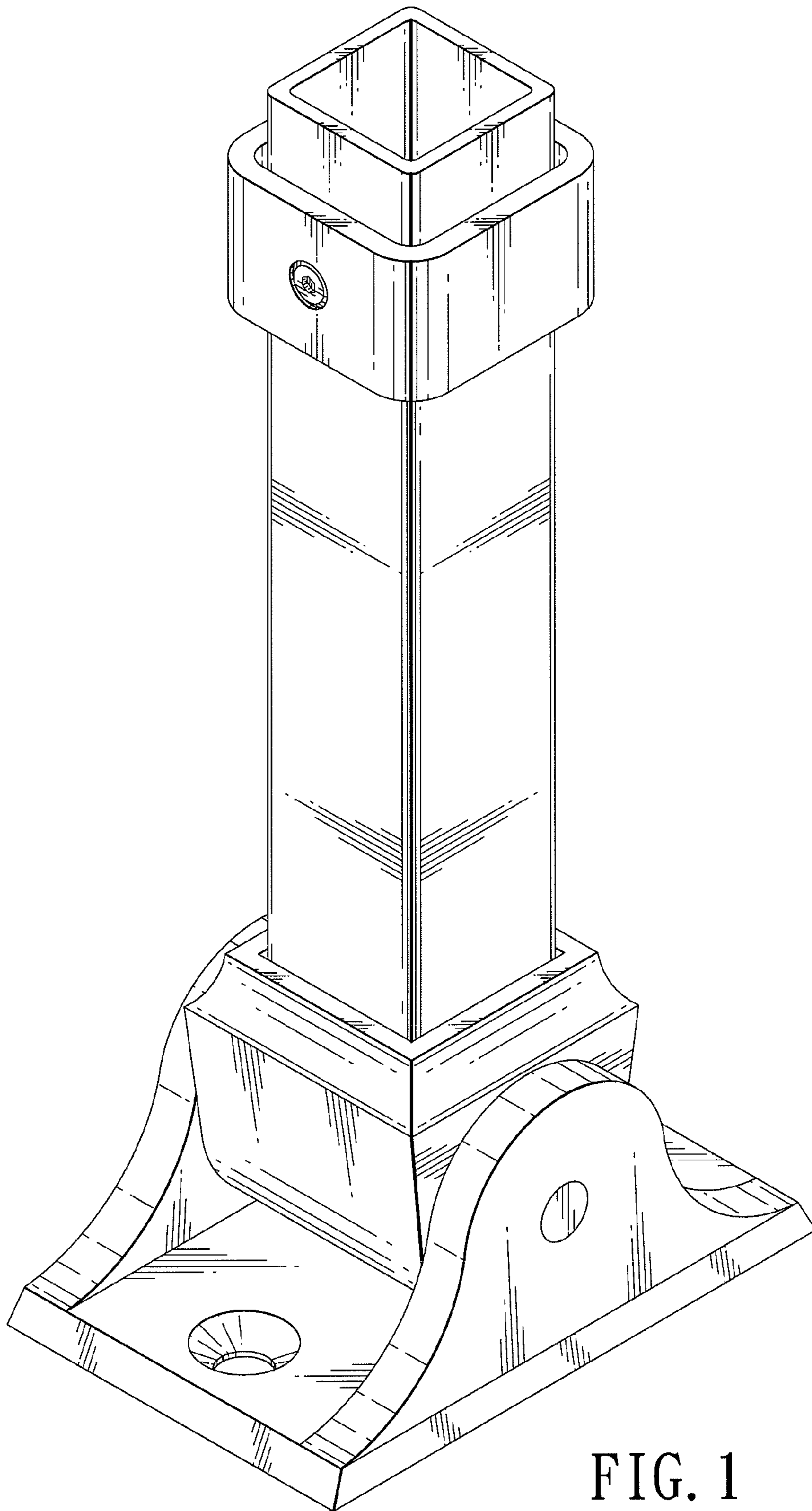


FIG. 1

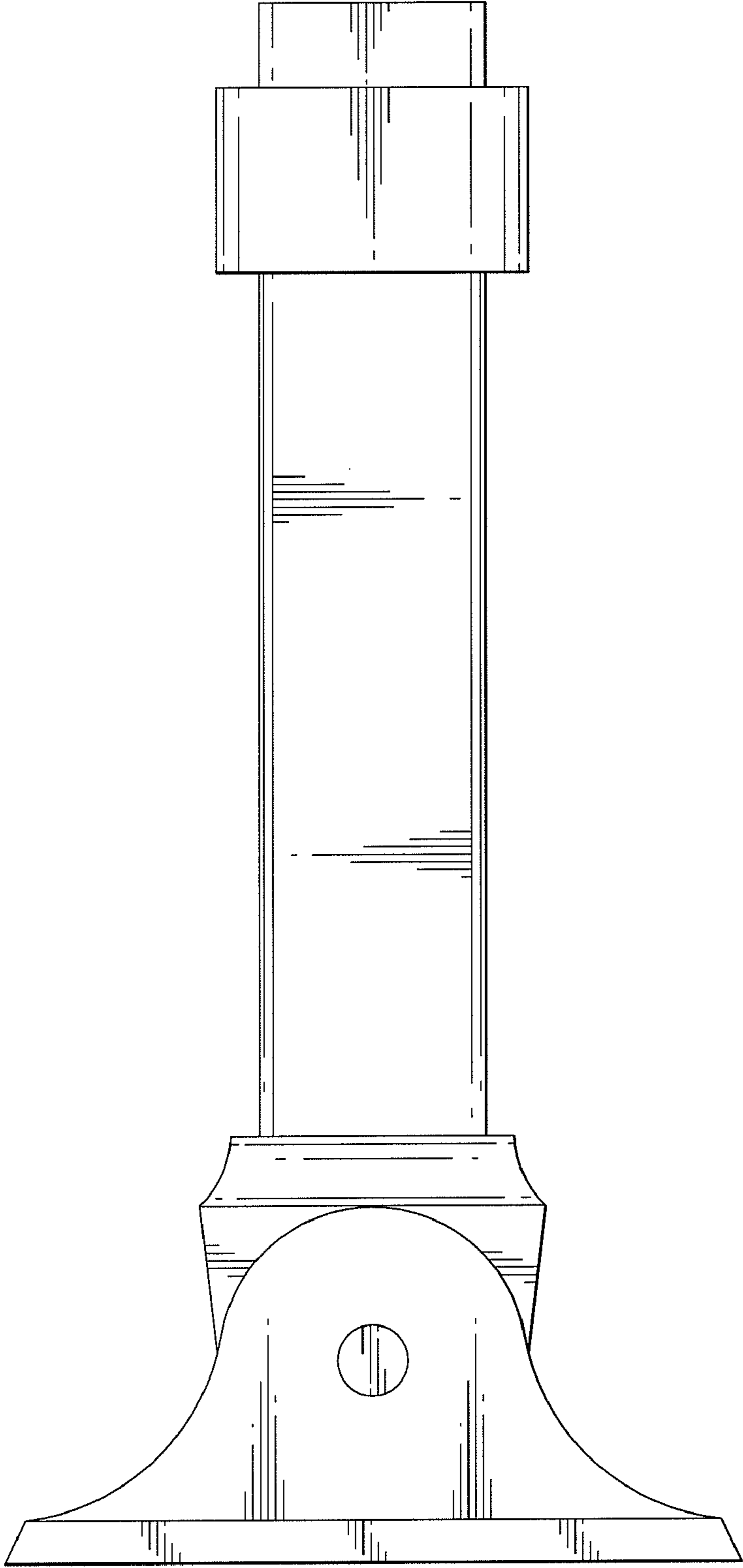


FIG. 2

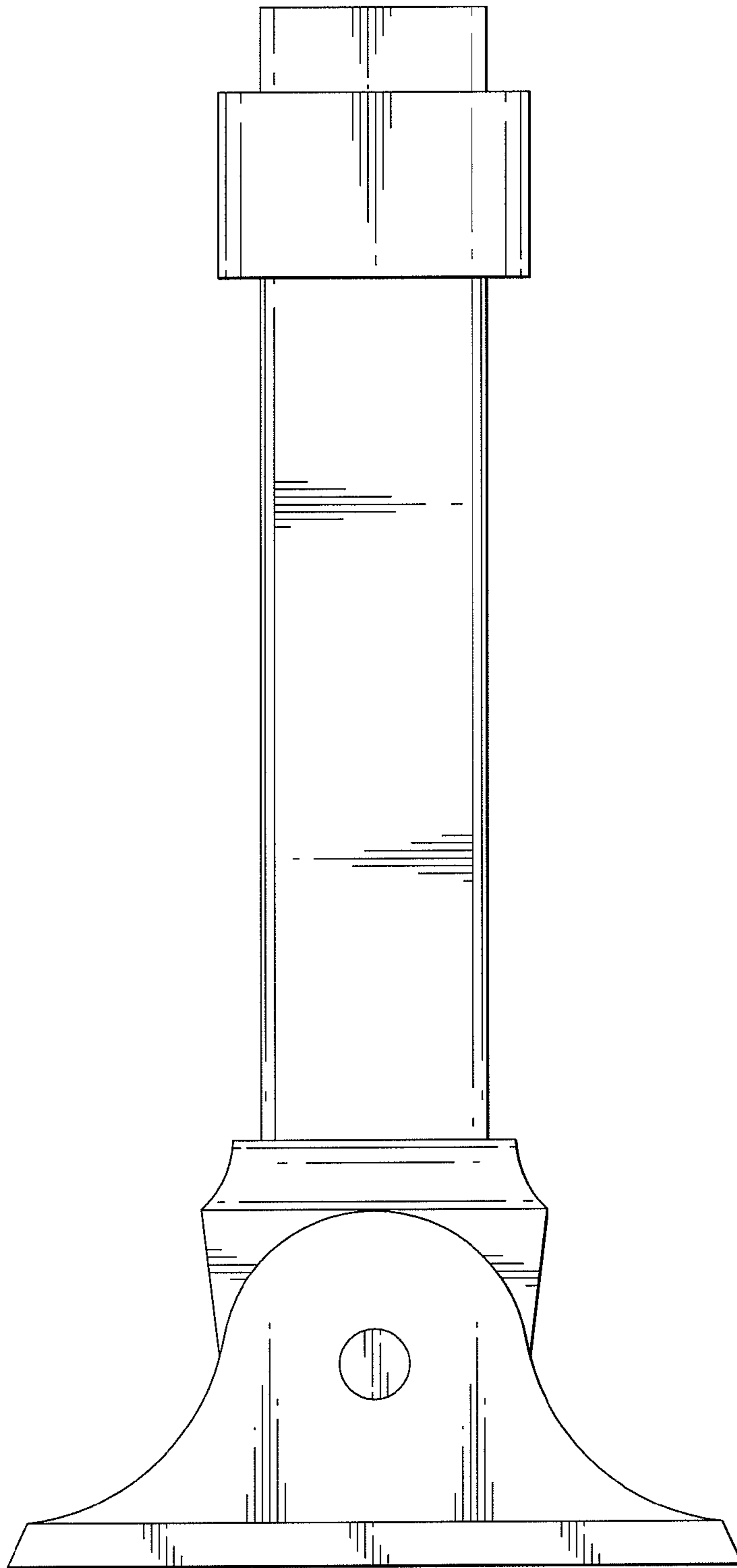


FIG. 3

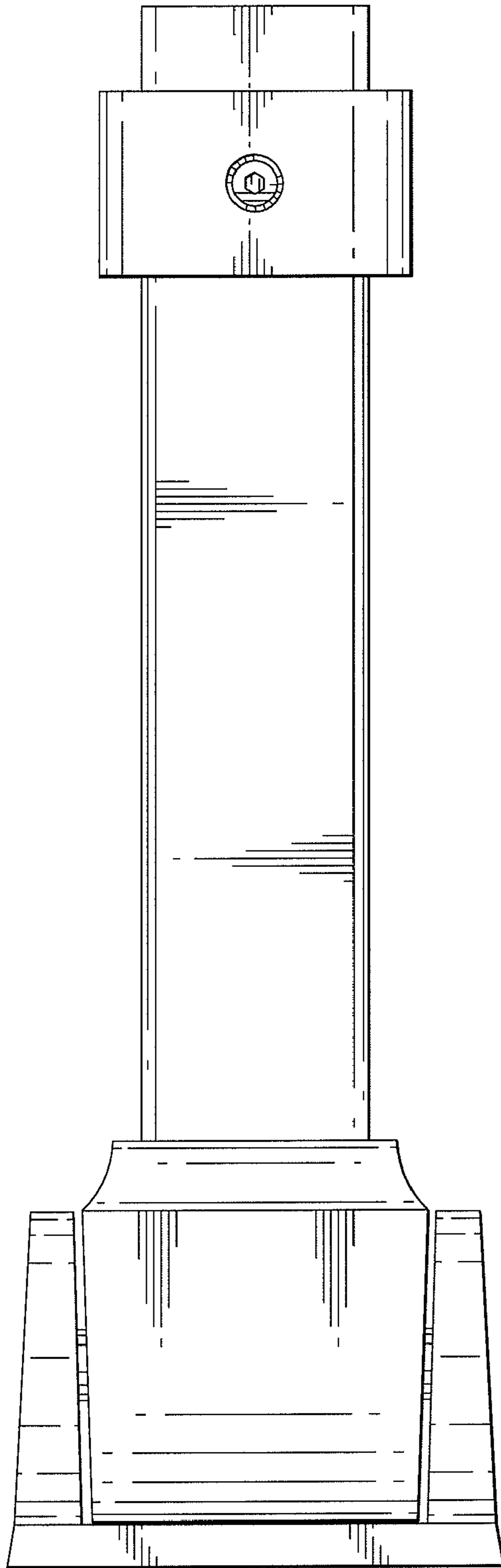


FIG. 4

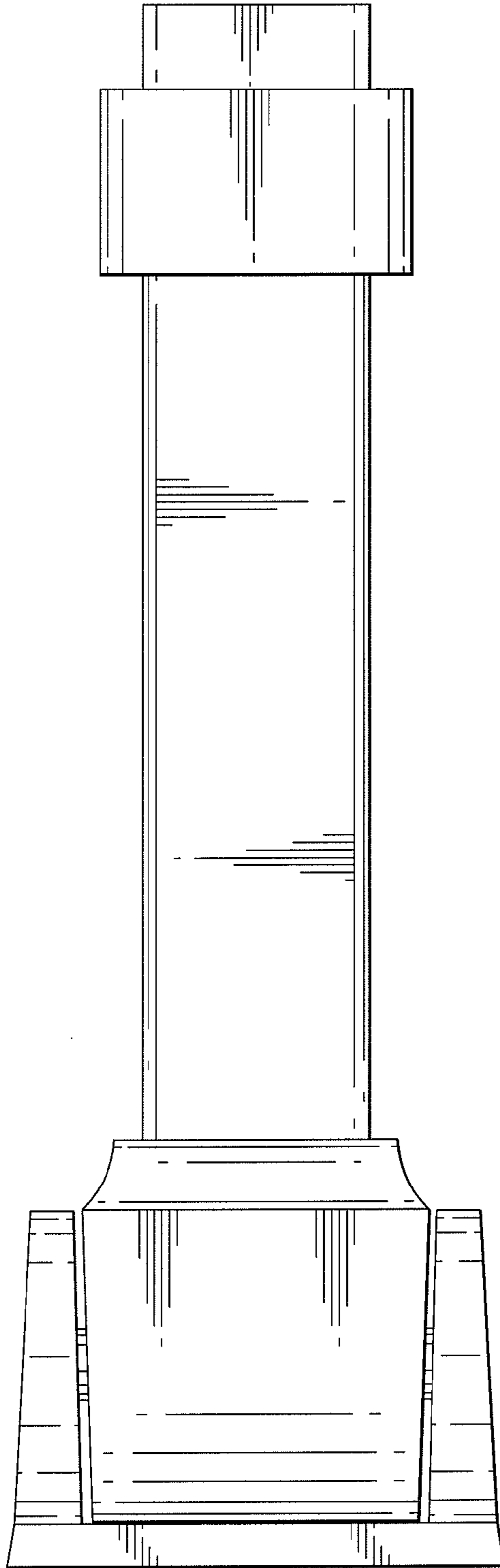


FIG. 5

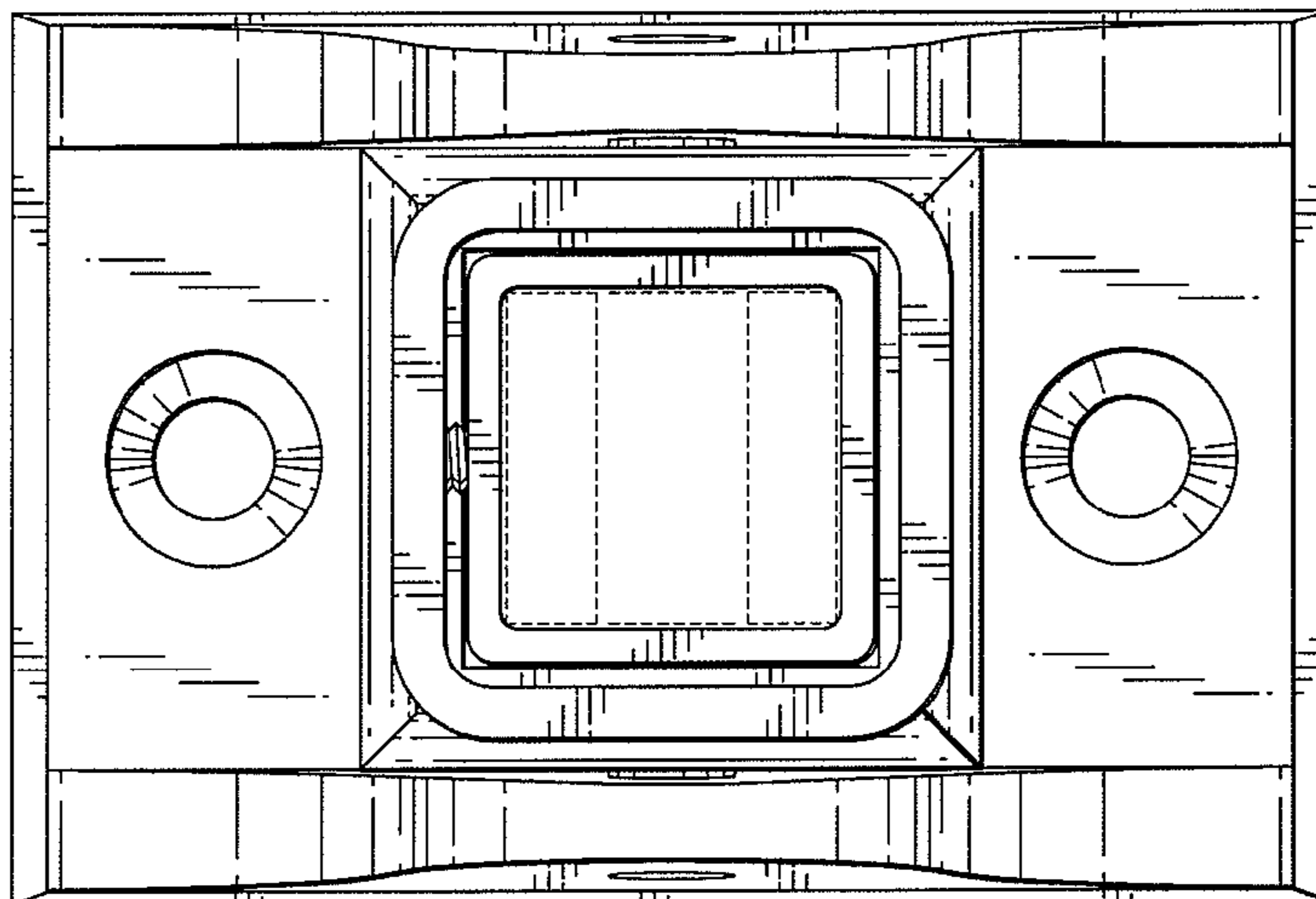


FIG. 6

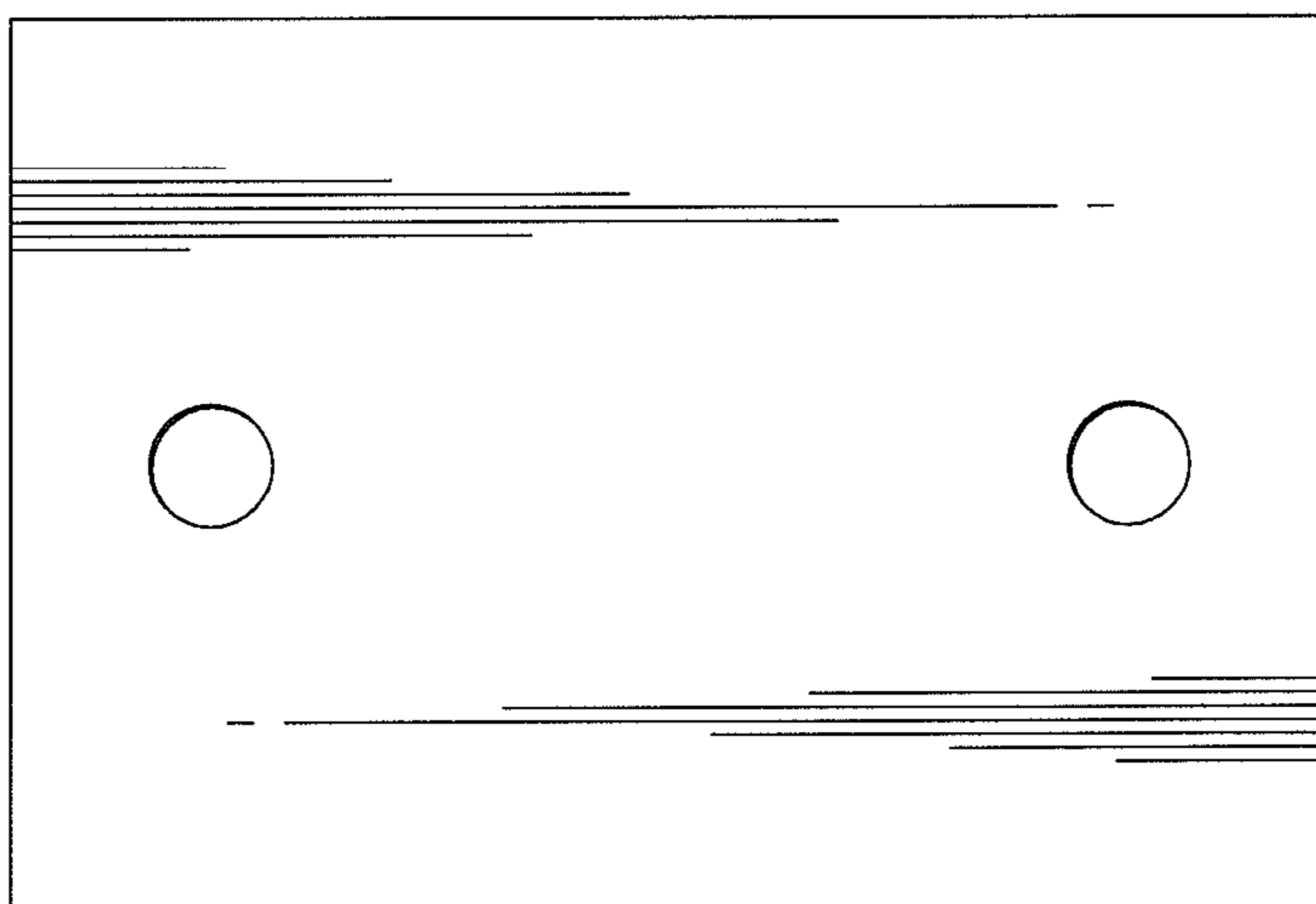


FIG. 7