

US00D667961S

(12) **United States Design Patent**
Marmier

(10) **Patent No.:** **US D667,961 S**

(45) **Date of Patent:** **** Sep. 25, 2012**

(54) **LABORATORY INSTRUMENT**

(75) **Inventor:** **Yves Marmier**, La Chaux-de-Fonds (CH)

(73) **Assignee:** **Mettler-Toledo AG**, Greifensee (CH)

(**) **Term:** **14 Years**

(21) **Appl. No.:** **29/362,420**

(22) **Filed:** **May 25, 2010**

(30) **Foreign Application Priority Data**

Dec. 2, 2009 (EM) 001642695

(51) **LOC (9) Cl.** **24-02**

(52) **U.S. Cl.** **D24/232**

(58) **Field of Classification Search** D24/186,
D24/231-232, 103, 127-128, 110; 141/75,
141/83, 253, 254, 257, 376, 271, 369, 372-373,
141/234; 222/181.2, 181.3; D16/235, 242;
D8/354-355; 248/324, 344, 519, 149, 346.01,
248/346.03; 422/64, 550, 510

See application file for complete search history.

(56) **References Cited**

U.S. PATENT DOCUMENTS

534,278	A *	2/1895	Moon	141/75
4,033,329	A *	7/1977	Gregory et al.	600/594
4,131,426	A *	12/1978	Range	422/510
D250,897	S *	1/1979	Potts	D24/232
4,235,840	A *	11/1980	Mendoza et al.	422/64
D271,570	S *	11/1983	Cain	D24/232
4,437,586	A *	3/1984	Columbus	222/181.2
4,705,630	A *	11/1987	Gordon et al.	422/550
5,046,539	A *	9/1991	MacLeish et al.	141/234
D321,340	S *	11/1991	Savio	D14/335
D328,954	S *	8/1992	Brech	D24/186

D390,967	S *	2/1998	Beuster et al.	D24/234
D390,968	S *	2/1998	Kummerfeld	D24/234
D406,900	S *	3/1999	Murrell et al.	D24/232
6,722,403	B2 *	4/2004	Zhou et al.	141/83
2008/0190513	A1 *	8/2008	Luechinger et al.	141/75
2010/0288566	A1 *	11/2010	Luchinger et al.	177/180
2011/0204088	A1 *	8/2011	Luchinger	222/129

FOREIGN PATENT DOCUMENTS

EM	001642695-0001	*	12/2009
EM	001642695-0002	*	12/2009
EM	001642695-0003	*	12/2009
EM	001642695-0004	*	12/2009

OTHER PUBLICATIONS

Google Image Result for http://www.kruss.de/uploads/pics/07-prod-dsa100m_01.jpg. 1 page [On line], retrieved on Dec. 8, 2011.*

* cited by examiner

Primary Examiner — Wan Laymon

(74) *Attorney, Agent, or Firm* — Standley Law Group LLP

(57) **CLAIM**

I claim the ornamental design for a laboratory instrument, as shown and described.

DESCRIPTION

FIG. 1 is a front and side perspective view of a laboratory instrument showing the design;
FIG. 2 is a rear and side perspective view thereof;
FIG. 3 is a right side elevation, the left side elevation view being a mirror image thereof;
FIG. 4 is a front elevation view thereof;
FIG. 5 is a rear elevation view thereof;
FIG. 6 is a top plan view thereof; and,
FIG. 7 is a bottom plan view of the FIG. 1 embodiment.
Broken lining shows features of the laboratory instrument that are not considered to be part of the design.

1 Claim, 7 Drawing Sheets

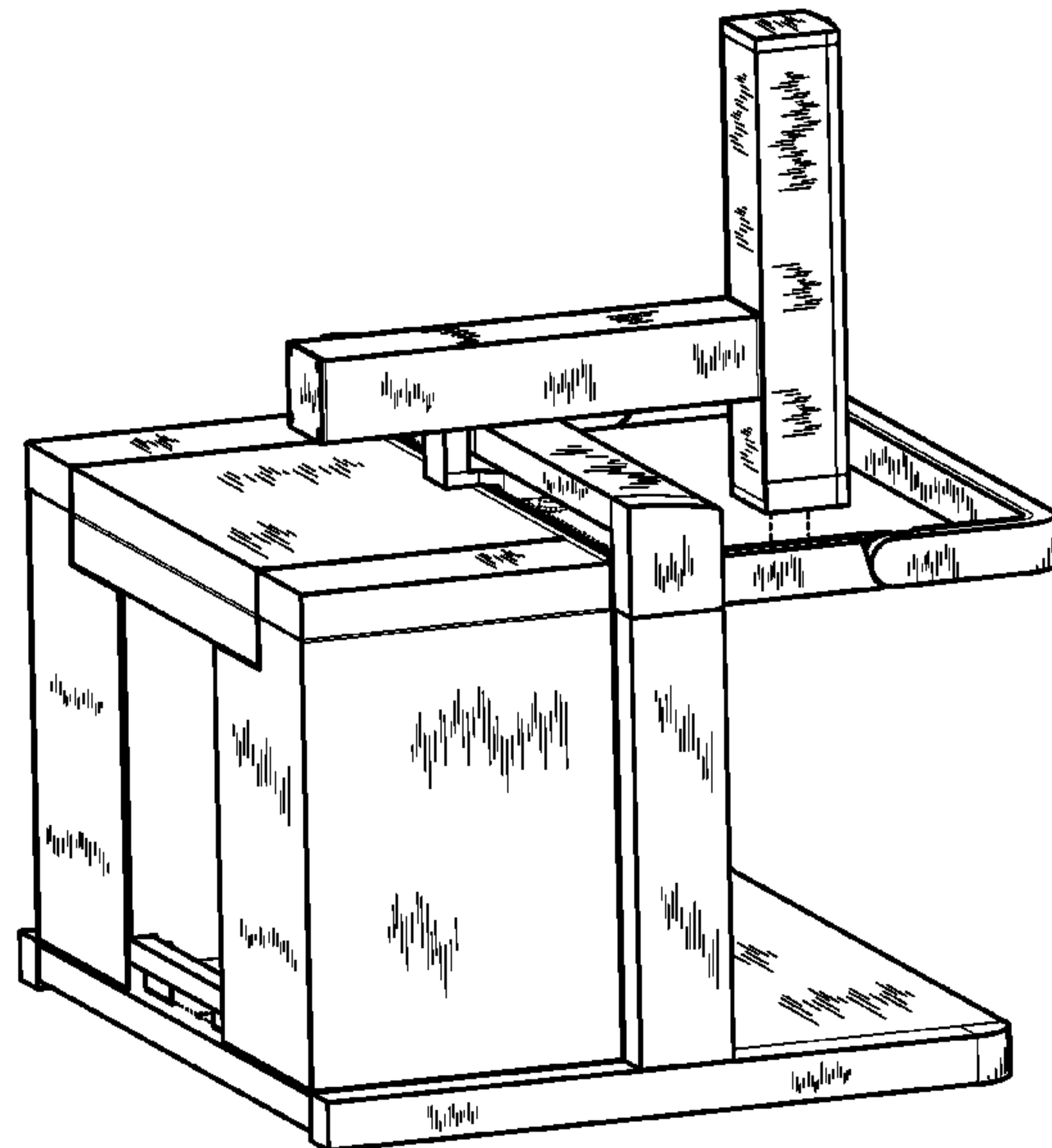
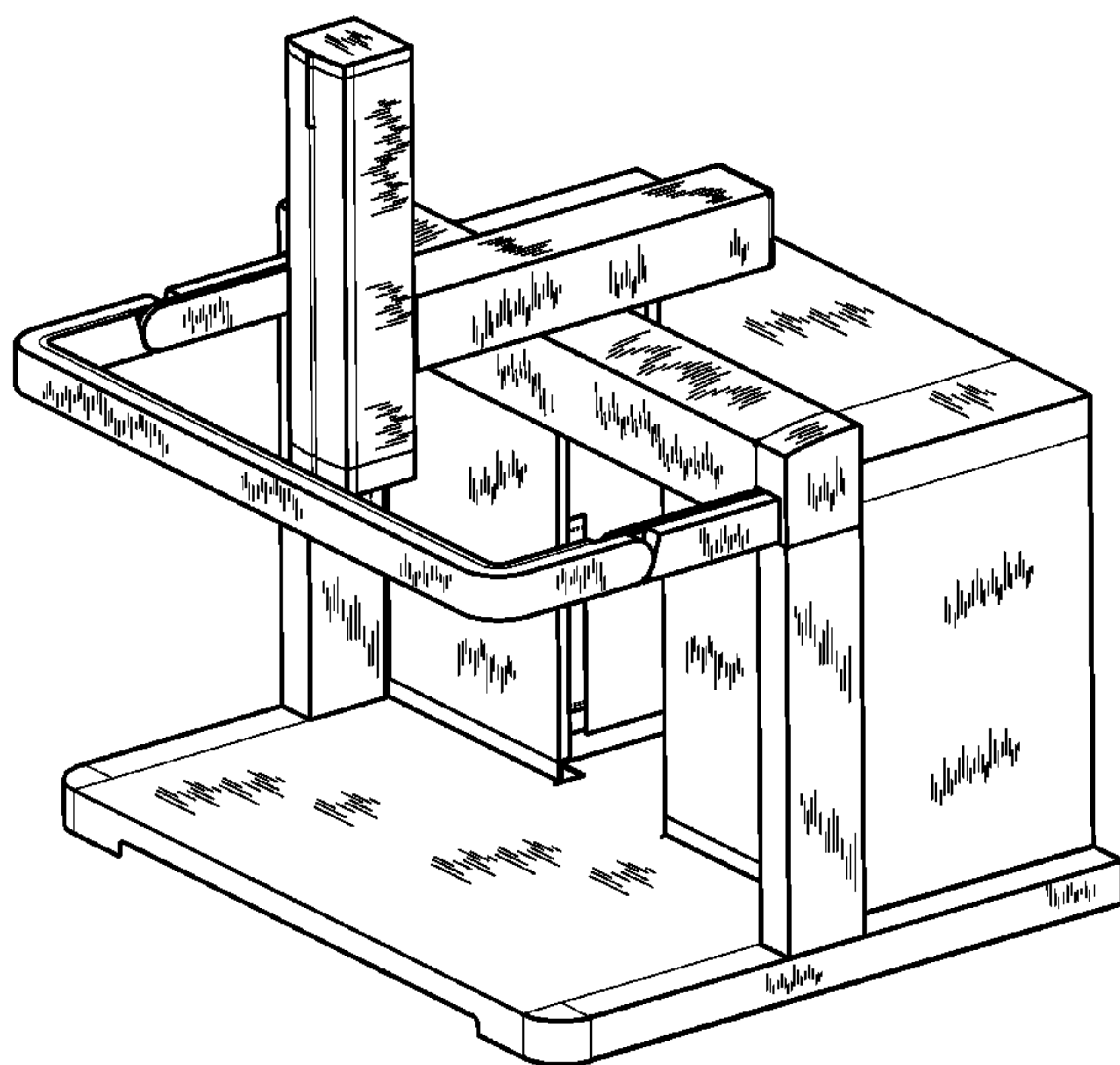


Fig. 1

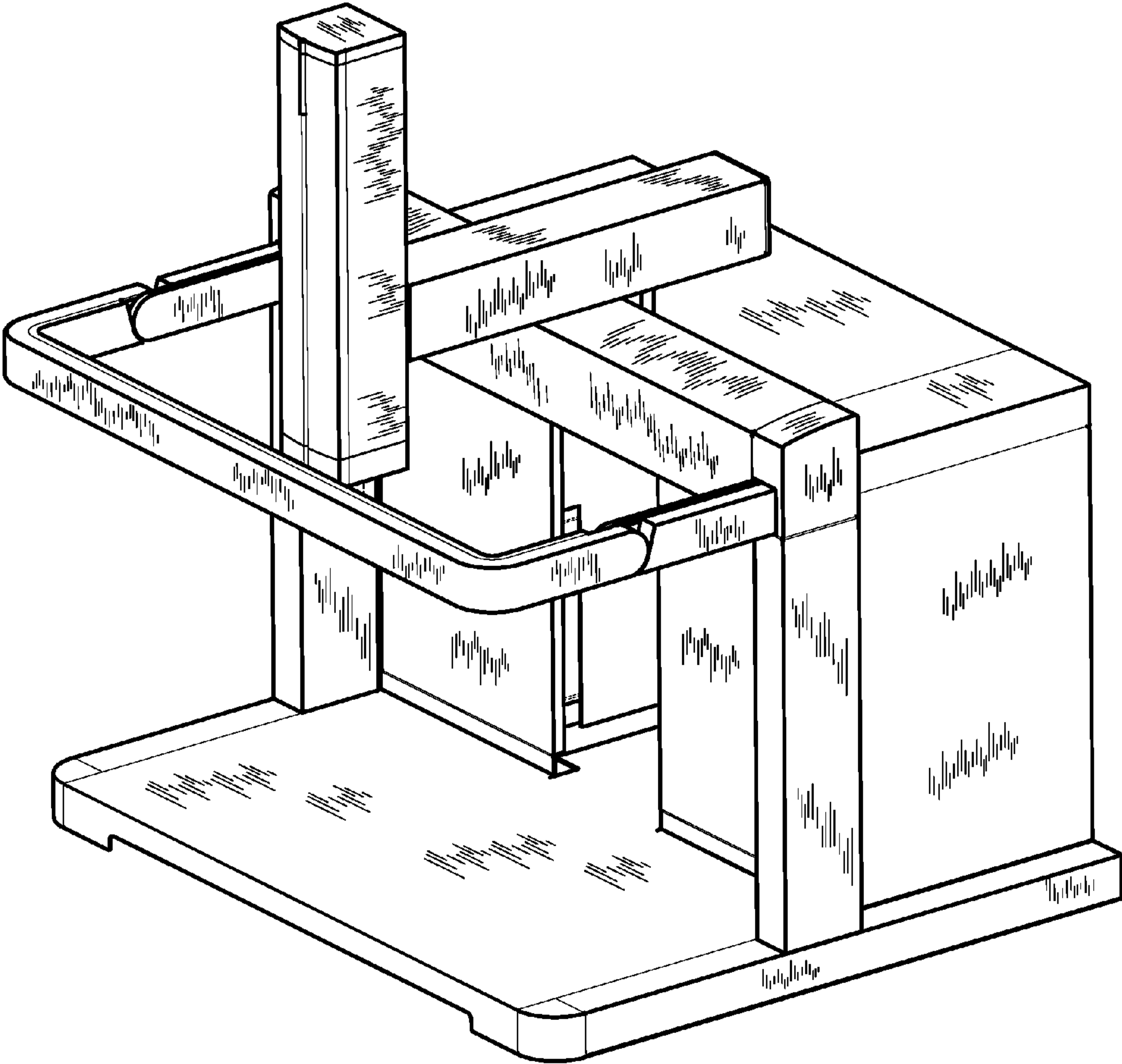


Fig. 2

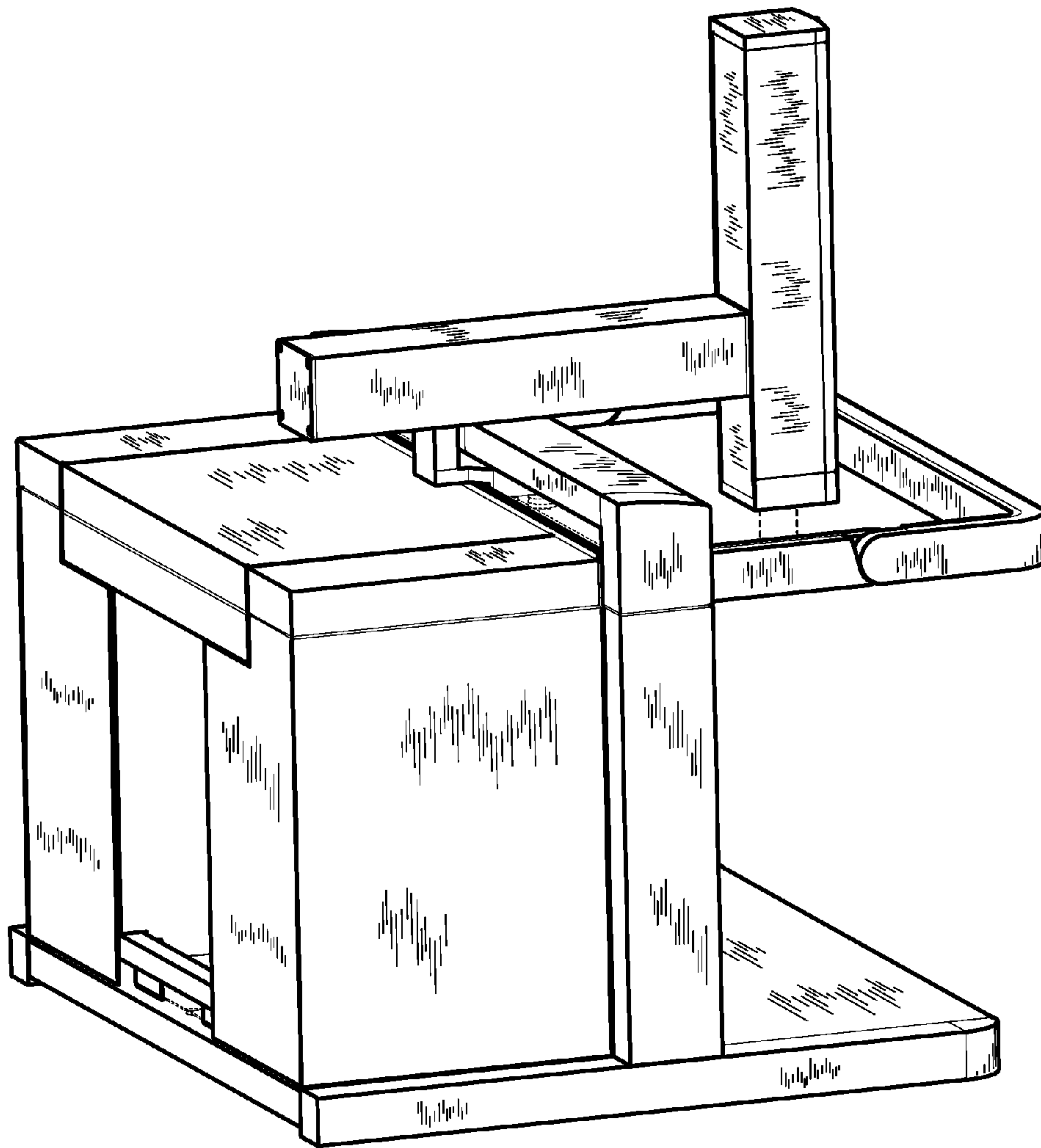


Fig. 3

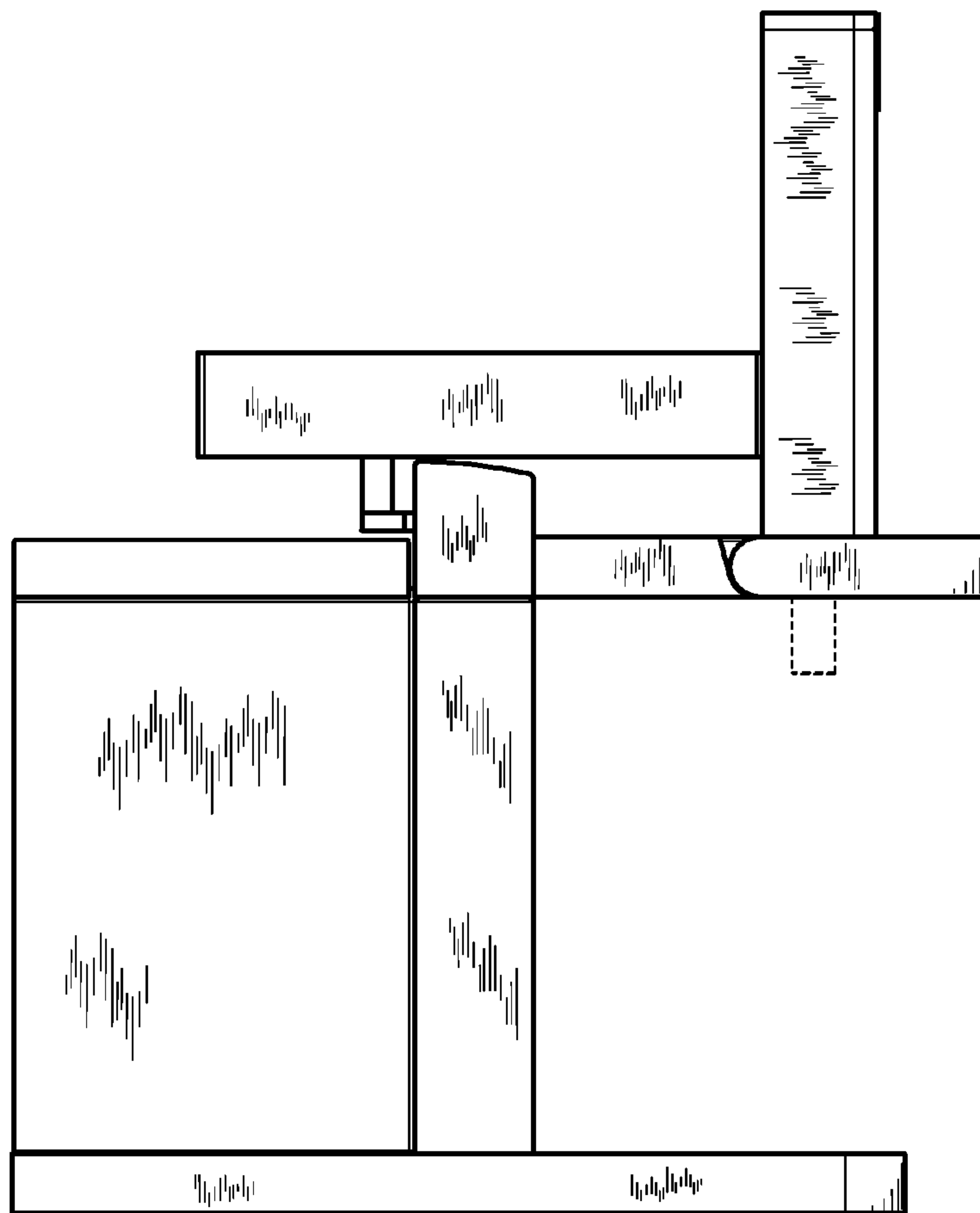


Fig. 4

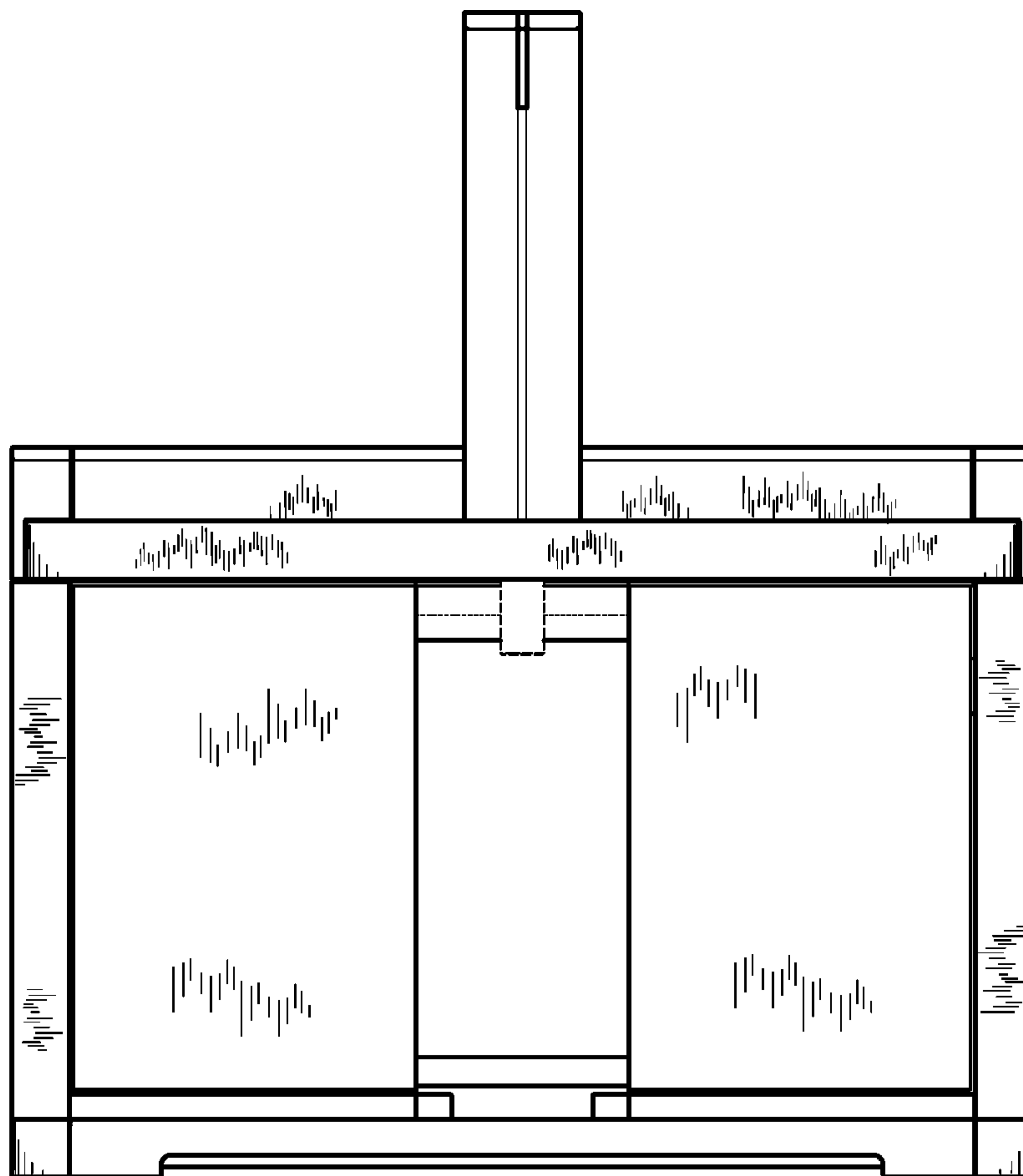


Fig. 5

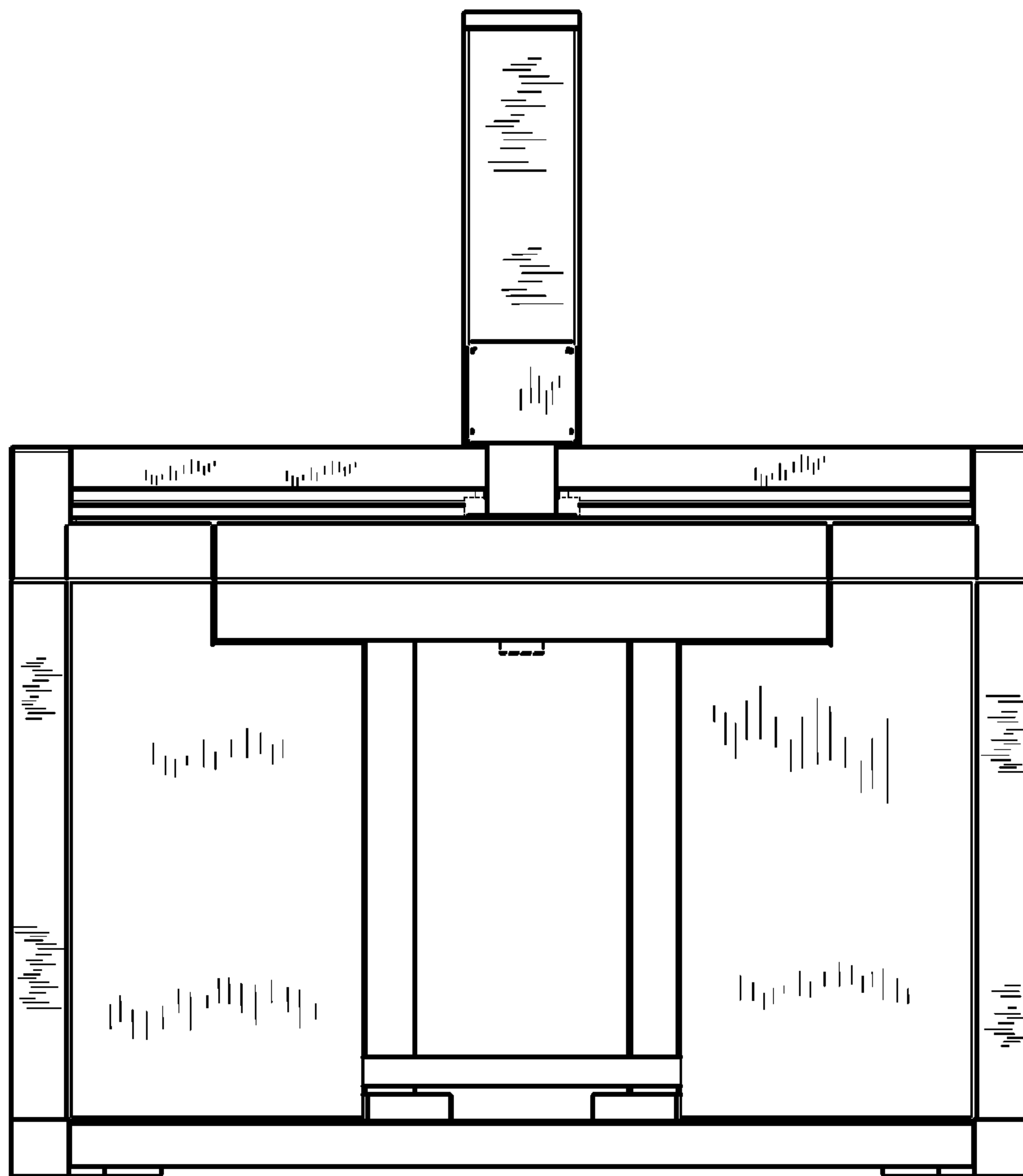


Fig. 6

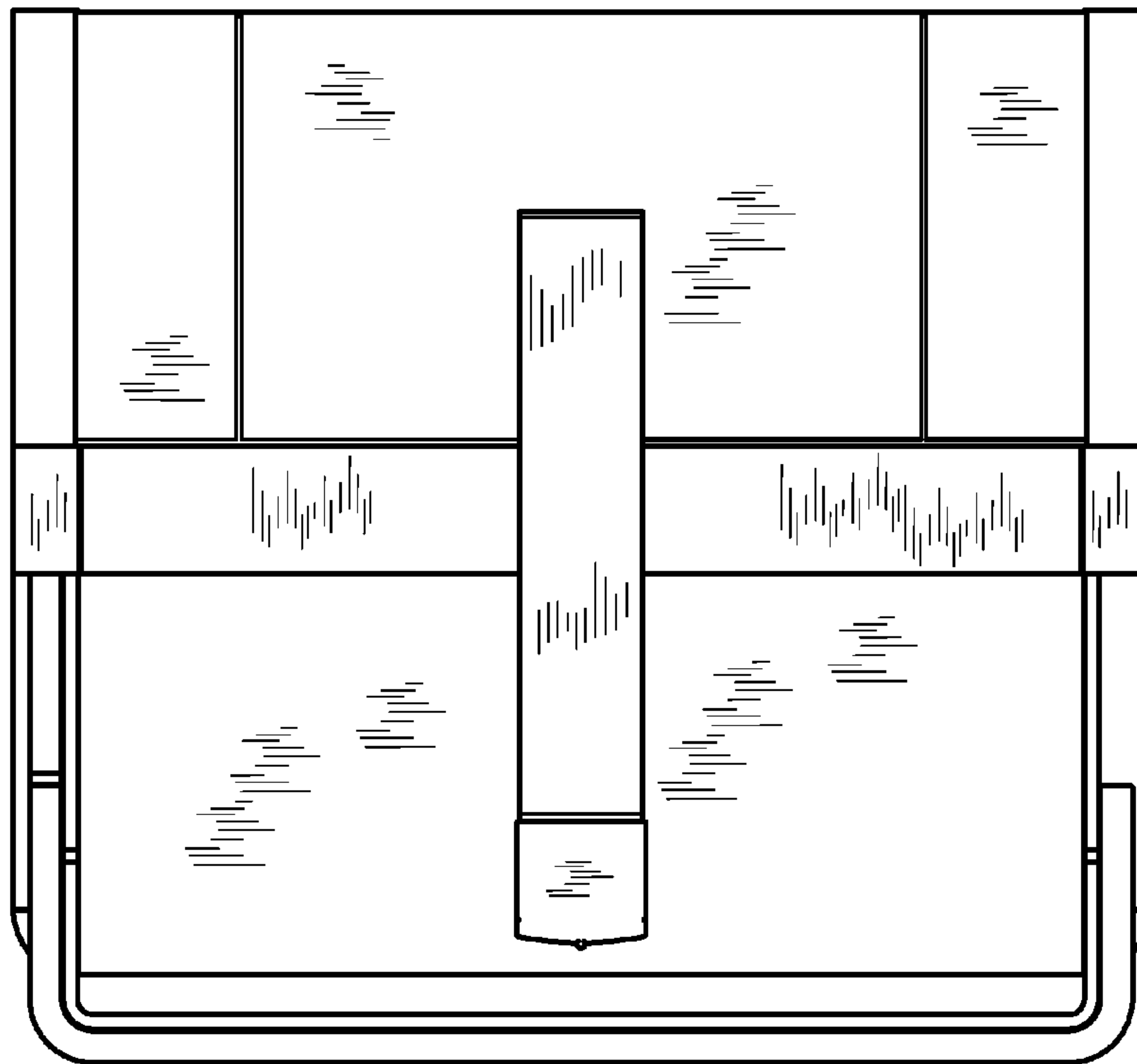


Fig. 7

