



US00D667960S

(12) **United States Design Patent**  
**Wilkinson**

(10) **Patent No.:** **US D667,960 S**

(45) **Date of Patent:** **\*\* \*Sep. 25, 2012**

(54) **SPECIMEN COLLECTION CONTAINER  
HAVING A LABEL AND A CLOSURE**

(75) Inventor: **Laura Wilkinson**, North Haledon, NJ  
(US)

(73) Assignee: **Becton, Dickinson and Company**,  
Franklin Lakes, NJ (US)

(\* ) Notice: This patent is subject to a terminal dis-  
claimer.

(\*\*) Term: **14 Years**

(21) Appl. No.: **29/400,163**

(22) Filed: **Aug. 24, 2011**

**Related U.S. Application Data**

(62) Division of application No. 29/354,479, filed on Jan.  
25, 2010, now Pat. No. Des. 645,972.

(51) **LOC (9) Cl.** ..... **24-01**

(52) **U.S. Cl.** ..... **D24/224**

(58) **Field of Classification Search** ..... D24/216,  
D24/222-226, 227, 229, 230, 231, 232, 169,  
D24/112-114; D10/81; D3/203.1-203.8;  
422/99, 102; D9/503, 504, 505, 529, 530,  
D9/549; 435/288.1, 288.3, 288.4, 304.1,  
435/305.1, 305.3, 305.4

See application file for complete search history.

(56) **References Cited**

**U.S. PATENT DOCUMENTS**

4,397,318 A 8/1983 Burns

(Continued)

**FOREIGN PATENT DOCUMENTS**

WO 2009111622 A2 9/2009

**OTHER PUBLICATIONS**

Product insert commercially available from Terumo for Venosafe.

(Continued)

*Primary Examiner* — Anhdao Doan

(74) *Attorney, Agent, or Firm* — The Webb Law Firm

(57) **CLAIM**

The ornamental design for a specimen collection container  
having a label and a closure, as shown and described.

**DESCRIPTION**

FIG. 1 is a top-directed perspective view of a specimen col-  
lection container having a label and a closure disposed there-  
with in accordance with the present invention.

FIG. 2 is a frontward-directed perspective view of the speci-  
men collection container having a label and a closure dis-  
posed therewith of FIG. 1.

FIG. 3 is a bottom-directed perspective view of the specimen  
collection container having a label and a closure disposed  
therewith of FIG. 1.

FIG. 4 is a front view of the specimen collection container  
having a label and a closure disposed therewith of FIG. 1.

FIG. 5 is a rear view of the specimen collection container  
having a label and a closure disposed therewith of FIG. 1.

FIG. 6 is a left side view of the specimen collection container  
having a label and a closure disposed therewith of FIG. 1.

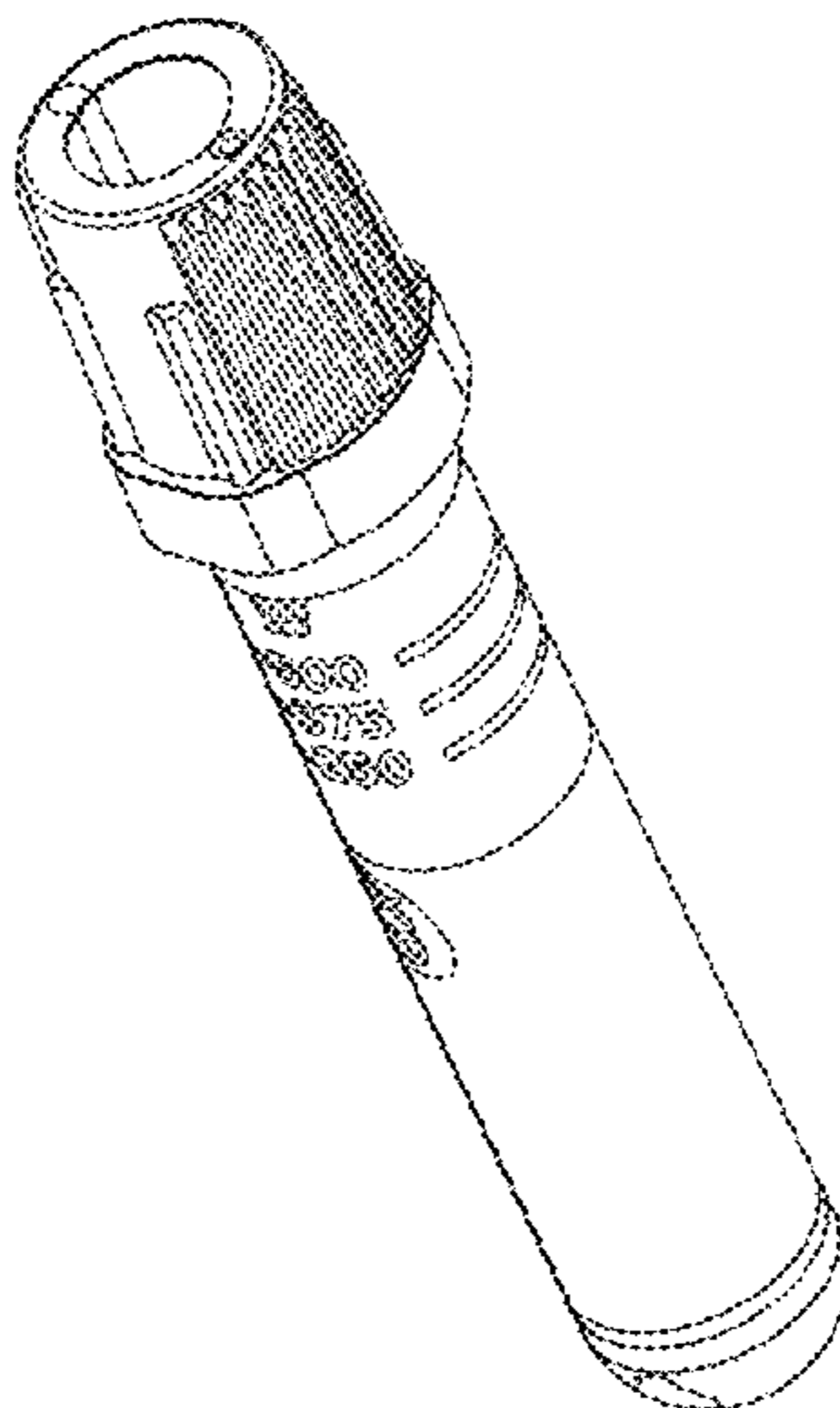
FIG. 7 is a right side view of the specimen collection con-  
tainer having a label and a closure disposed therewith of FIG.

1.

FIG. 8 is a top view of the specimen collection container  
having a label and a closure disposed therewith of FIG. 1; and,  
FIG. 9 is a bottom view of the specimen collection container  
having a label and a closure disposed therewith of FIG. 1.

The broken lines in the drawing views are included for the  
purpose of illustrating portions of the specimen collection  
container having a label and a closure that form no part of the  
claimed design.

**1 Claim, 8 Drawing Sheets**



# US D667,960 S

Page 2

## U.S. PATENT DOCUMENTS

4,411,163 A 10/1983 White  
4,576,185 A 3/1986 Proud et al.  
D285,115 S 8/1986 Proud et al.  
4,646,753 A 3/1987 Nugent  
4,690,153 A 9/1987 Losada et al.  
4,964,413 A 10/1990 Losada et al.  
4,967,763 A 11/1990 Nugent et al.  
5,038,794 A 8/1991 Van Valkenburg  
5,288,466 A 2/1994 Burns  
5,384,096 A 1/1995 Burns  
D356,643 S 3/1995 Burns  
D357,985 S 5/1995 Burns  
5,458,113 A 10/1995 Burns  
5,458,854 A 10/1995 Burns  
5,494,170 A 2/1996 Burns  
5,527,513 A 6/1996 Burns  
5,552,117 A 9/1996 Burns  
5,672,321 A 9/1997 Daykin  
5,699,923 A 12/1997 Burns  
5,700,429 A \* 12/1997 Buhler et al. .... 422/560  
5,711,875 A 1/1998 Kayal et al.  
5,738,233 A 4/1998 Burns  
D425,625 S 5/2000 Niermann  
6,056,925 A 5/2000 Sarstedt  
6,221,655 B1 4/2001 Fung et al.  
D445,908 S \* 7/2001 Conway ..... D24/224  
6,358,476 B1 3/2002 Innamorato et al.  
6,426,049 B1 7/2002 Rosen et al.  
6,551,267 B1 4/2003 Cohen et al.  
6,562,300 B2 5/2003 Rosen et al.

7,604,778 B2 \* 10/2009 Dause ..... 422/410  
D621,522 S \* 8/2010 Wilkinson ..... D24/224  
7,824,873 B2 \* 11/2010 Hale ..... 422/430  
D639,445 S \* 6/2011 Newman et al. .... D24/224  
D650,088 S \* 12/2011 Motadel ..... D24/224  
2002/0156439 A1 10/2002 Iskra

## OTHER PUBLICATIONS

Product insert commercially available from Becton, Dickinson and Company for BD Microtainer Chemistry Tubes.  
Product insert commercially available from Becton, Dickinson and Company for BD Capillary Collection, 2004.  
Product insert commercially available from Becton, Dickinson and Company for BD Microtainer Plasma Separator Tube, 2000.  
Product insert commercially available from Becton, Dickinson and Company for BD Microtainer Tubes with BD Microgard Closure, 2003.  
Product insert commercially available from Becton, Dickinson and Company for BD Microtainer Tubes with Microgard Closure—Tube Guide and Order of Draw, 2003.  
Product insert commercially available from Becton, Dickinson and Company for BD Microtainer Tubes—Tube Guide and Order of Draw, 2003.  
Product Literature commercially available from Greiner Bio One at [www.gbo.com/documents/V01\\_Tube\\_Guide\\_000502\\_e.pdf](http://www.gbo.com/documents/V01_Tube_Guide_000502_e.pdf).  
Portions of product literature catalog commercially available from Greiner Bio One at [www.gbo.com/documents/980042\\_VACUETTEkatalog\\_rev04\\_0609\\_small\\_e.pdf](http://www.gbo.com/documents/980042_VACUETTEkatalog_rev04_0609_small_e.pdf).

\* cited by examiner

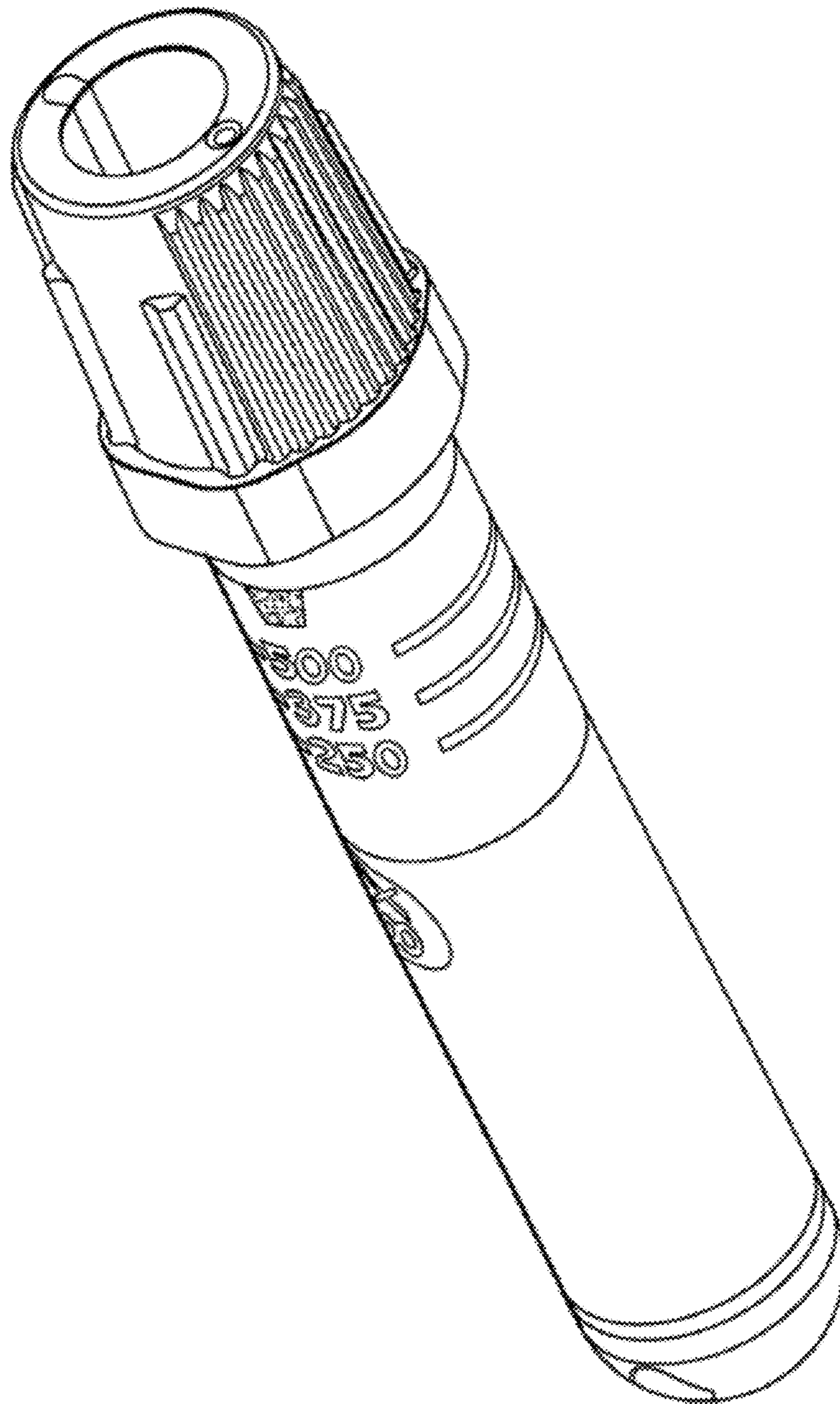


FIG. 1

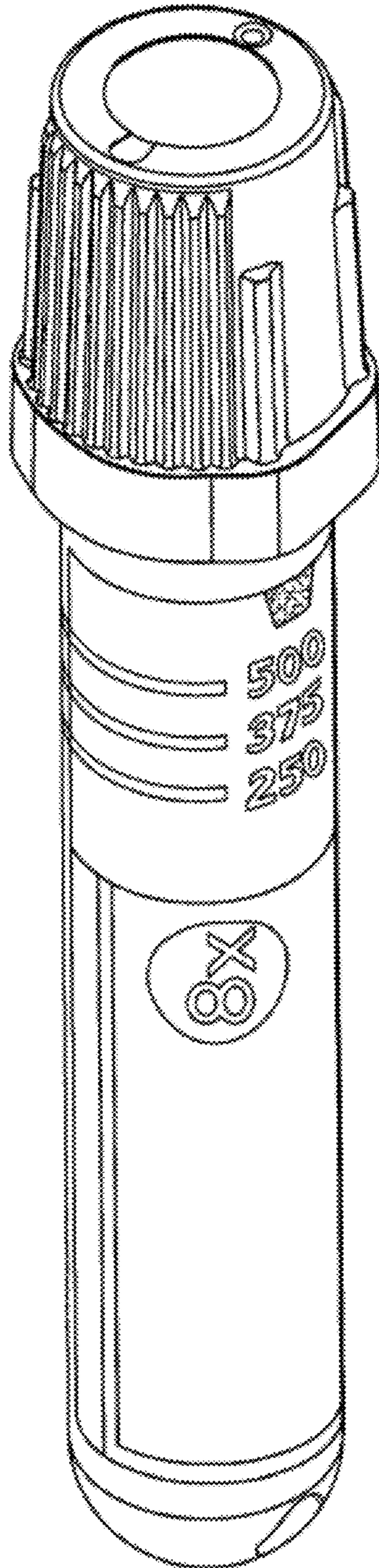


FIG.2

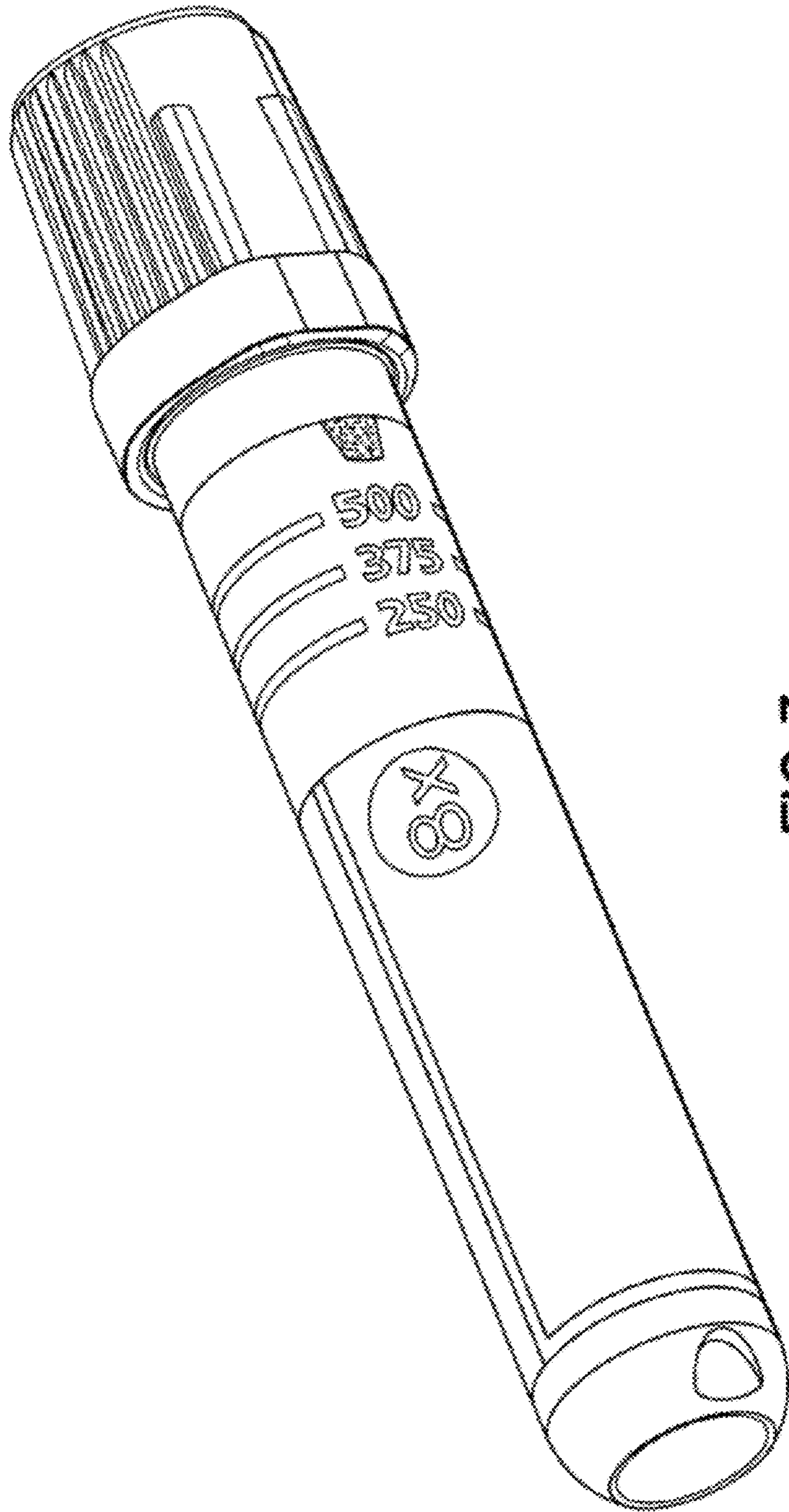


FIG.3

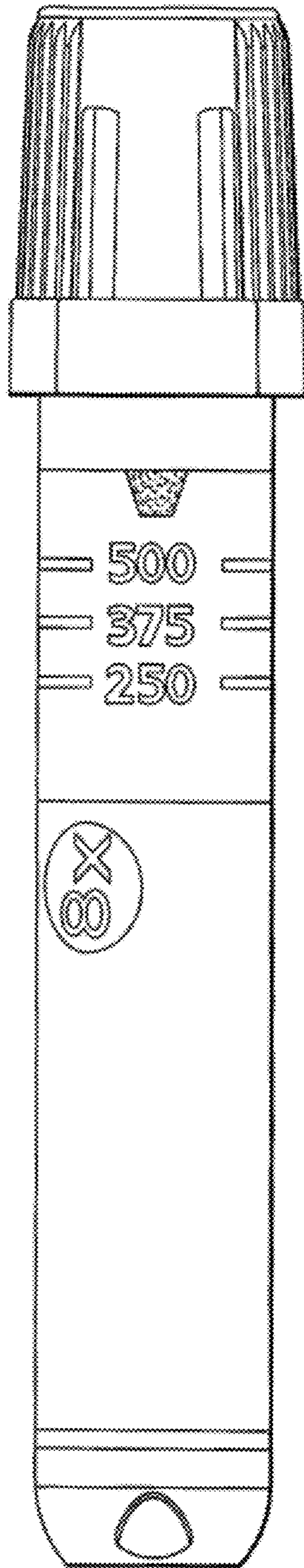


FIG.4

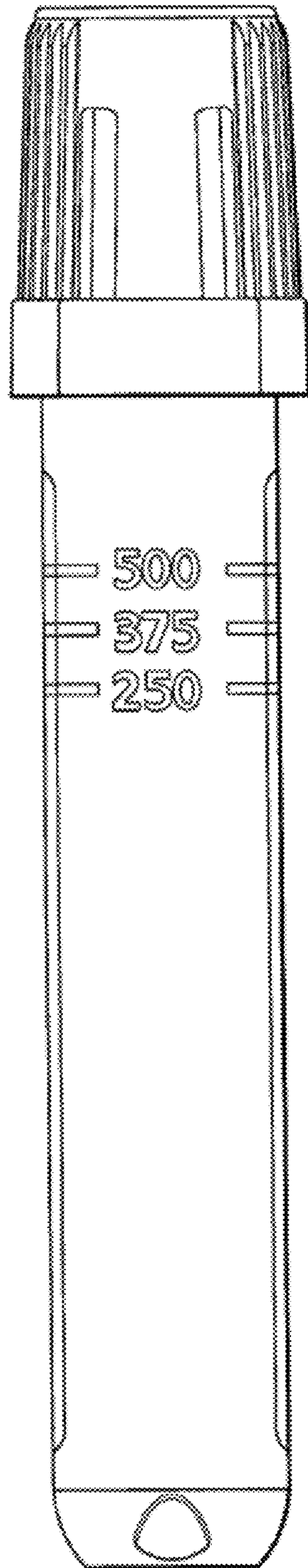


FIG.5

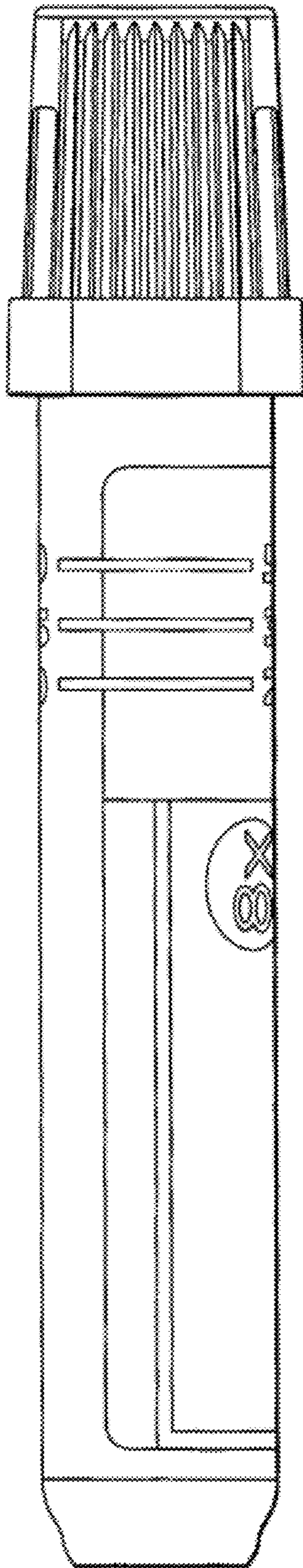


FIG.6



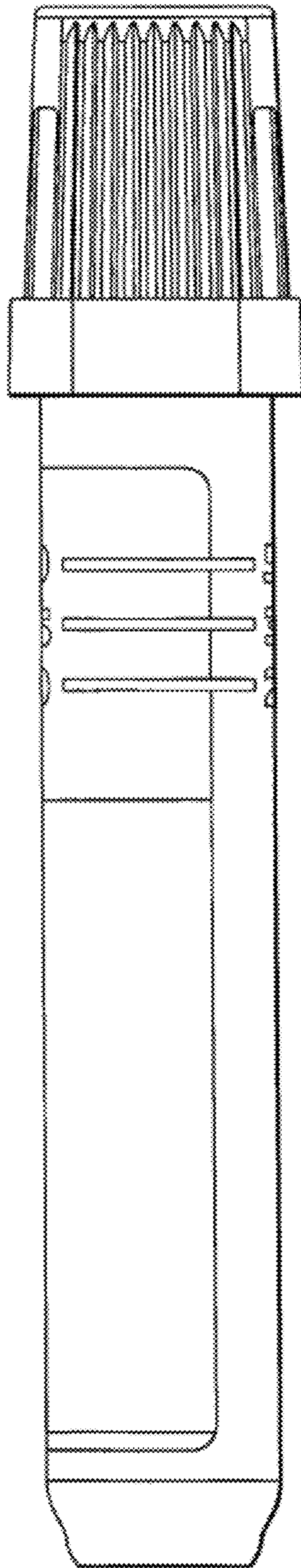


FIG.7

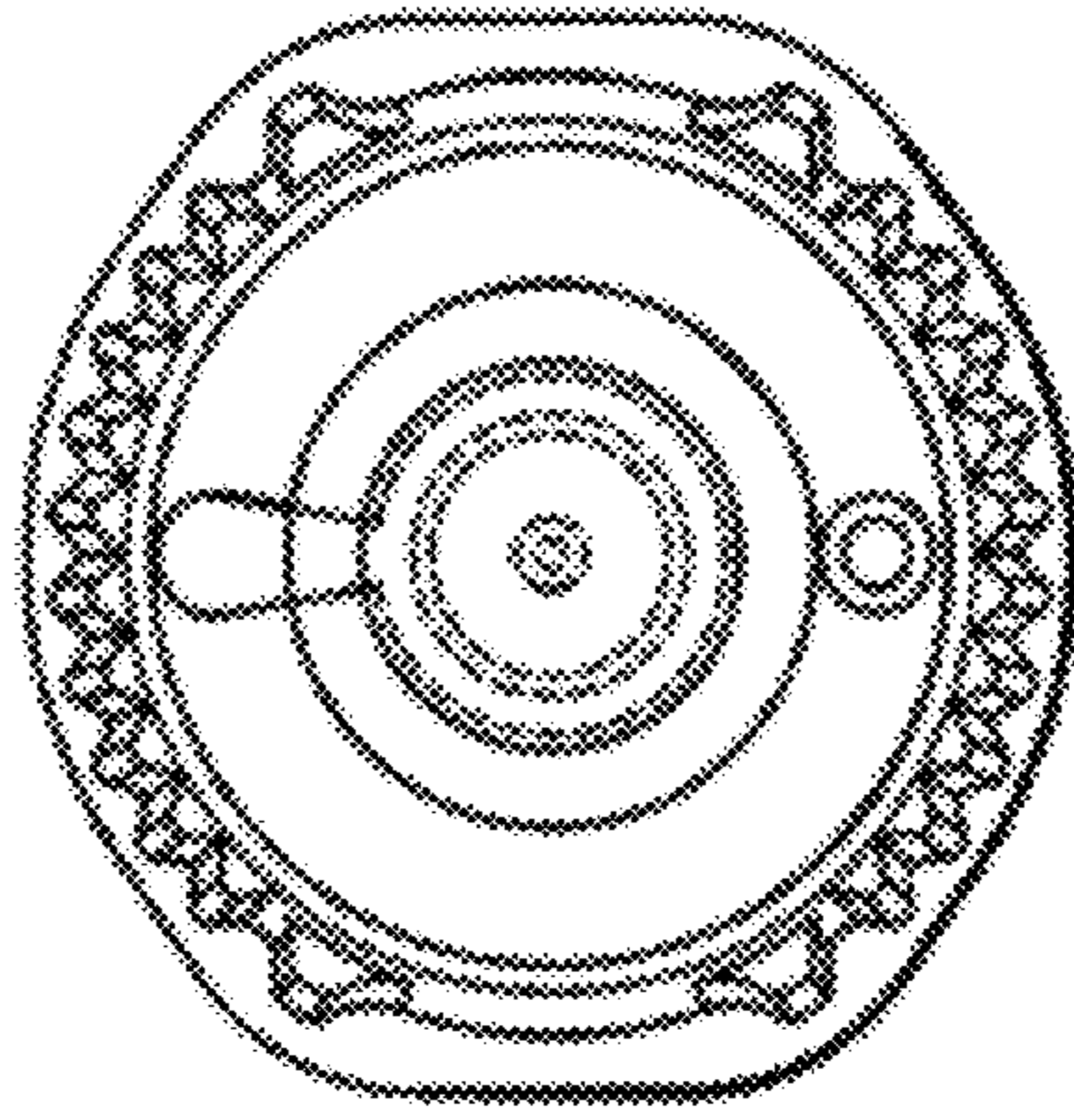


FIG. 8

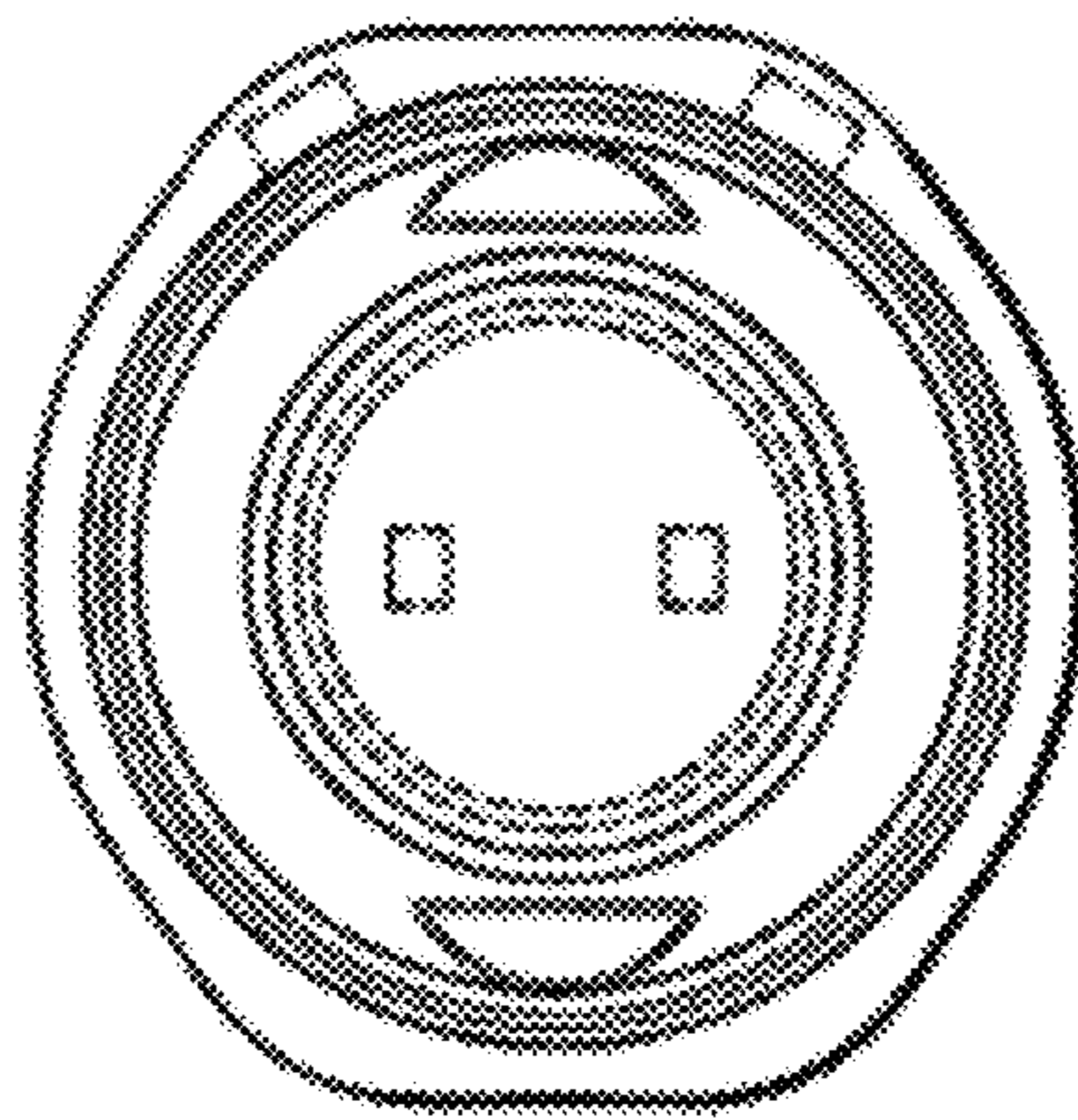


FIG. 9