

US00D667959S

(12) **United States Design Patent**
Lin et al.

(10) **Patent No.:** **US D667,959 S**

(45) **Date of Patent:** **** Sep. 25, 2012**

(54) **MULTIPLE CONFIGURATION CAP**

(76) Inventors: **Steve Lin**, Irvine, CA (US); **Syed Rehan**, Irvine, CA (US)

(**) Term: **14 Years**

(21) Appl. No.: **29/384,015**

(22) Filed: **Jan. 25, 2011**

(51) **LOC (9) Cl.** **24-01**

(52) **U.S. Cl.** **D24/224**

(58) **Field of Classification Search** D24/216–217,
D24/219, 222–226, 227, 231, 232, 108, 127,
D24/129, 130; D3/203.1–203.8, 202; D9/452,
D9/454, 435, 436, 439, 446, 447, 449, 450,
D9/453; 435/288.1, 288.3, 304.1, 304.3;
422/500, 547, 548, 549, 550, 554, 556, 910;
604/411, 414, 412

See application file for complete search history.

(56) **References Cited**

U.S. PATENT DOCUMENTS

D362,184 S *	9/1995	Carr	D24/224
D389,761 S *	1/1998	Thomas	D9/439
D423,354 S *	4/2000	Lin	D9/447
D424,440 S *	5/2000	Wilkinson et al.	D24/224
D425,683 S *	5/2000	Nichols et al.	D9/447
D427,306 S *	6/2000	McCallister et al.	D24/224
D538,925 S *	3/2007	Ward et al.	D24/224
D546,946 S *	7/2007	Blake et al.	D24/129
D551,075 S *	9/2007	Puller	D9/454
D561,587 S *	2/2008	Lin	D9/453
D591,152 S *	4/2009	Hatalla	D9/447
D630,732 S *	1/2011	Lev et al.	D24/129
D644,731 S *	9/2011	Fangrow, Jr.	D24/129

* cited by examiner

Primary Examiner — Anhdao Doan

(74) *Attorney, Agent, or Firm* — Clement Cheng

(57) **CLAIM**

The ornamental design for a multiple configuration cap, as shown and described.

DESCRIPTION

FIG. 1 is a perspective view of a stopper portion of a multiple configuration cap;

FIG. 2 is a front view thereof;

FIG. 3 is a right side view thereof, the left side view being mirror images;

FIG. 4 is a bottom view thereof;

FIG. 5 is a top view thereof;

FIG. 6 is a perspective view of a stem portion of a multiple configuration cap;

FIG. 7 is a front view thereof;

FIG. 8 is a rear view thereof;

FIG. 9 is a right side view thereof;

FIG. 10 is a left side view thereof;

FIG. 11 is a top view thereof;

FIG. 12 is a bottom view thereof;

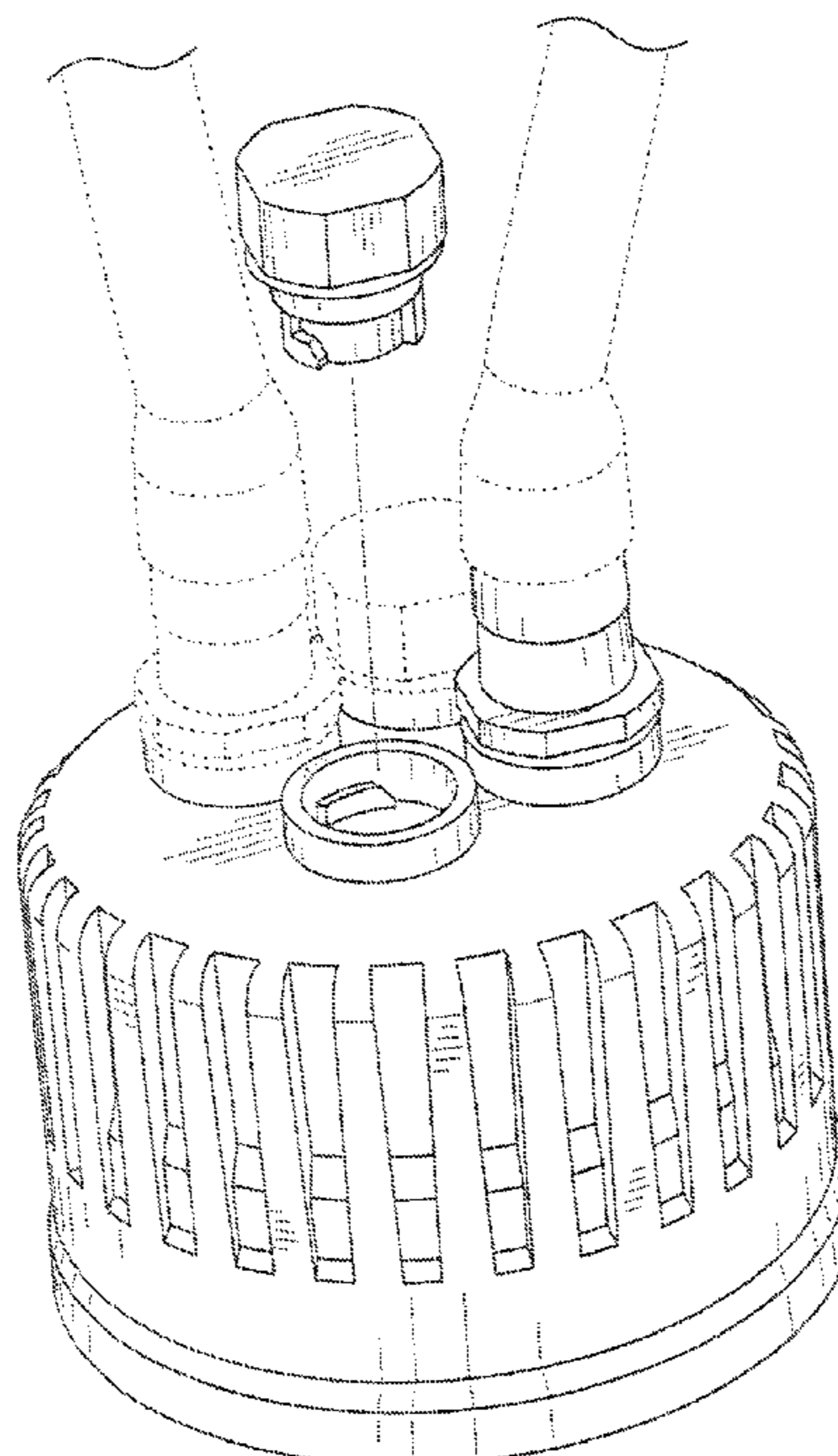
FIG. 13 is a top view of a multiple configuration cap;

FIG. 14 is a side view thereof; and,

FIG. 15 is a perspective view thereof assembled with the stopper and stem portions.

The broken lines in FIGS. 4, 11 and 12 represent the bounds of the claim, the broken lines in FIG. 13 represent the unclaimed portions of the multiple configuration cap, and the broken lines in FIG. 15 represent the environmental subject matters. None of the broken lines form a part of the claimed design.

1 Claim, 9 Drawing Sheets



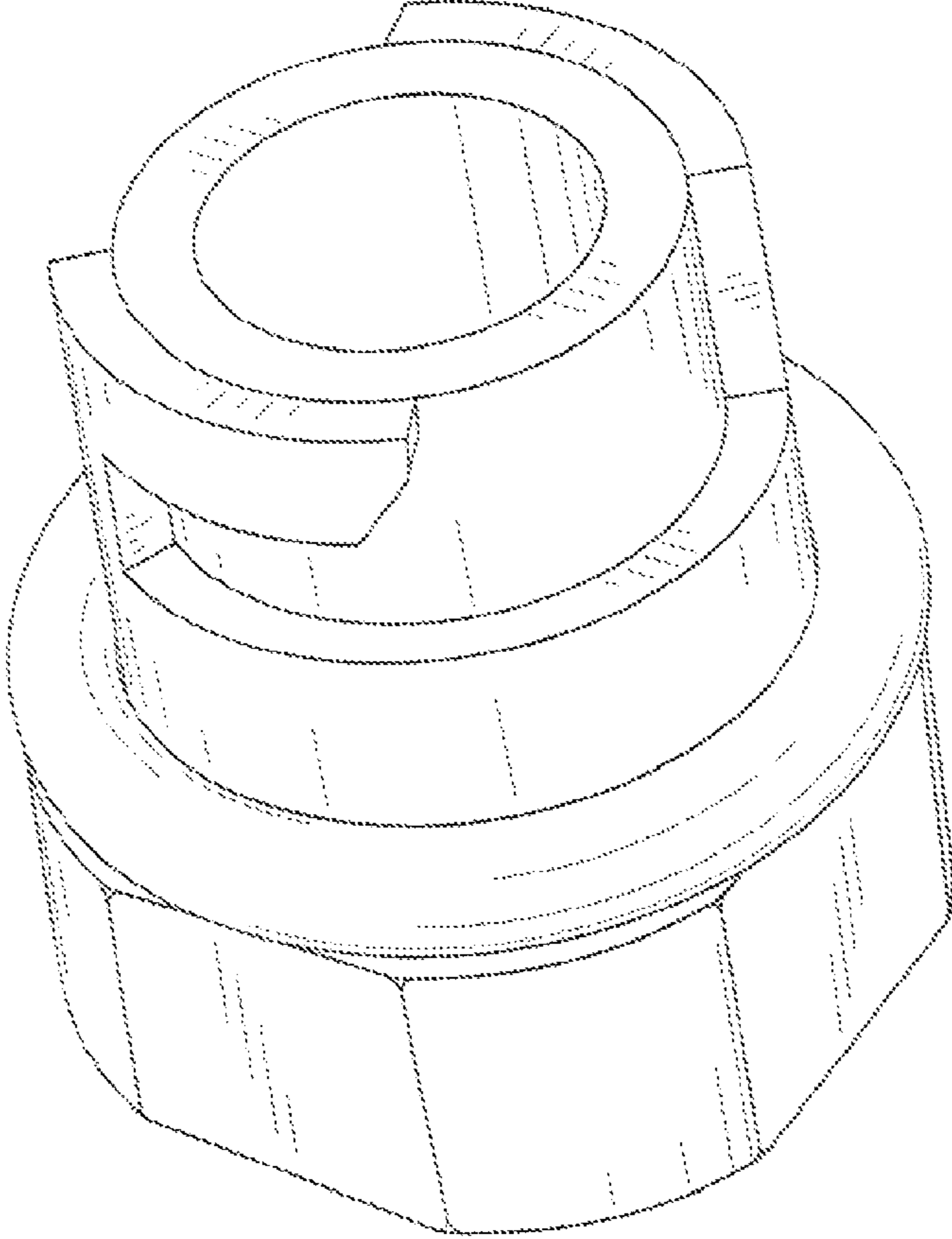


FIG. 1

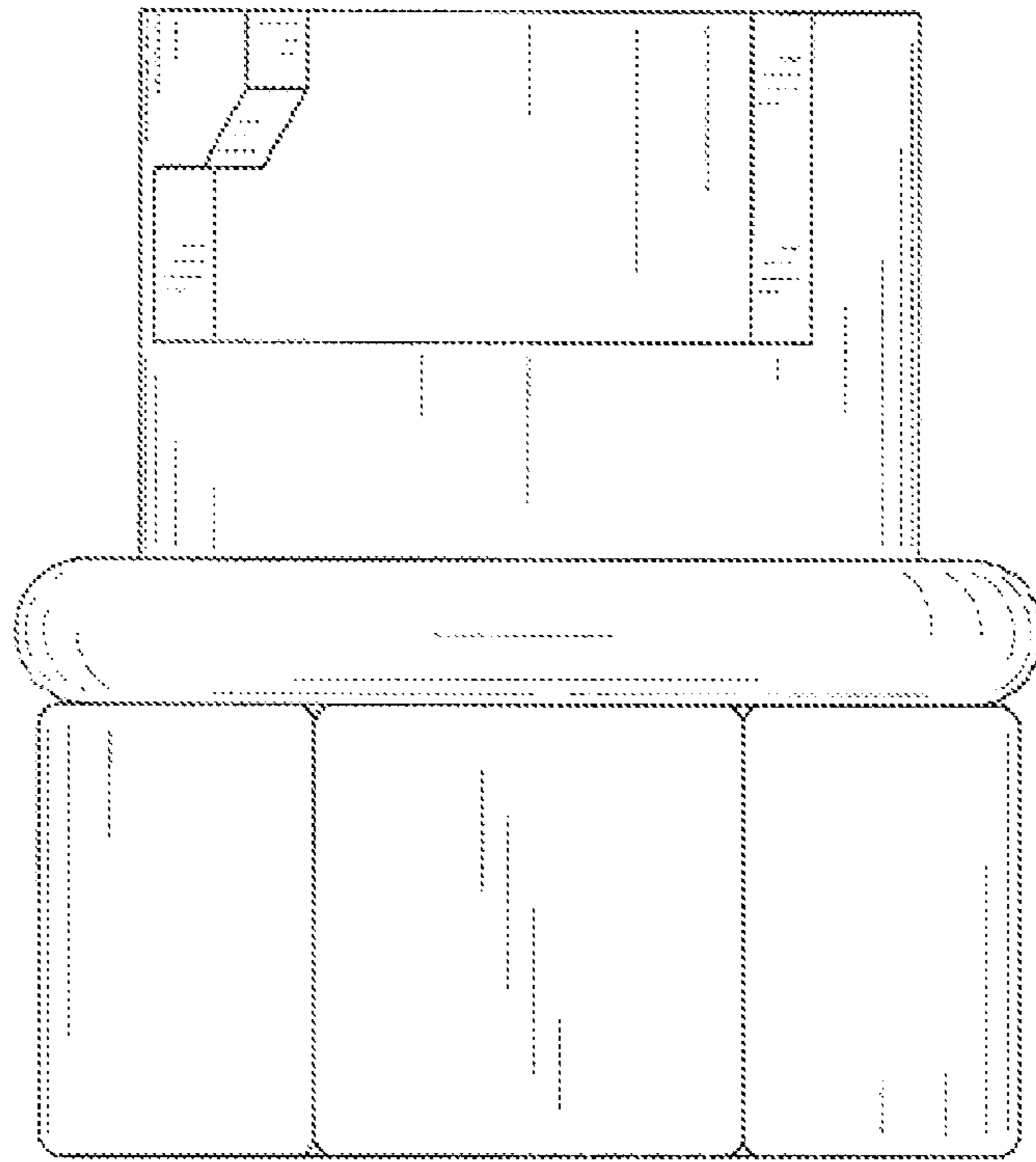


FIG. 2

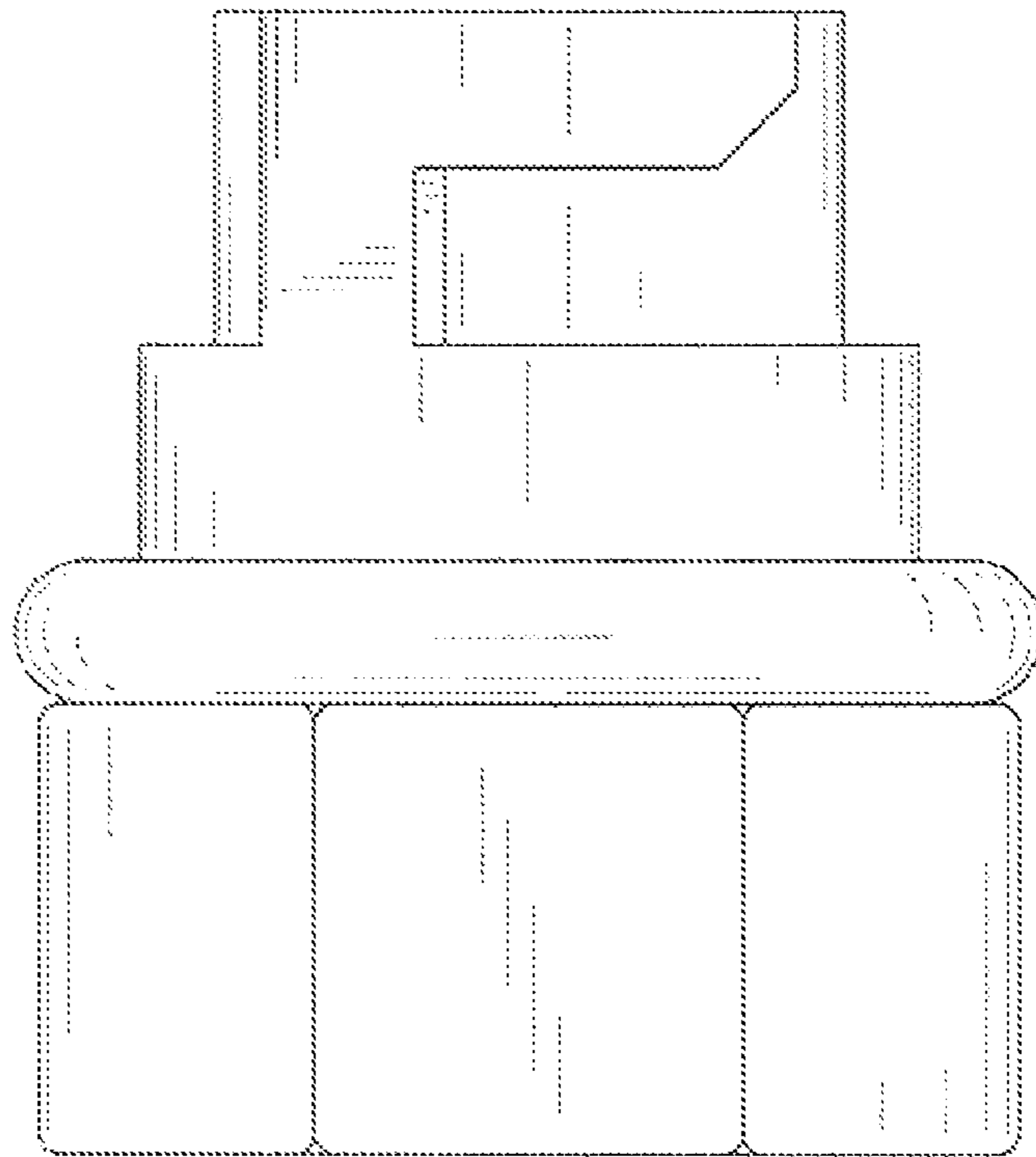


FIG. 3

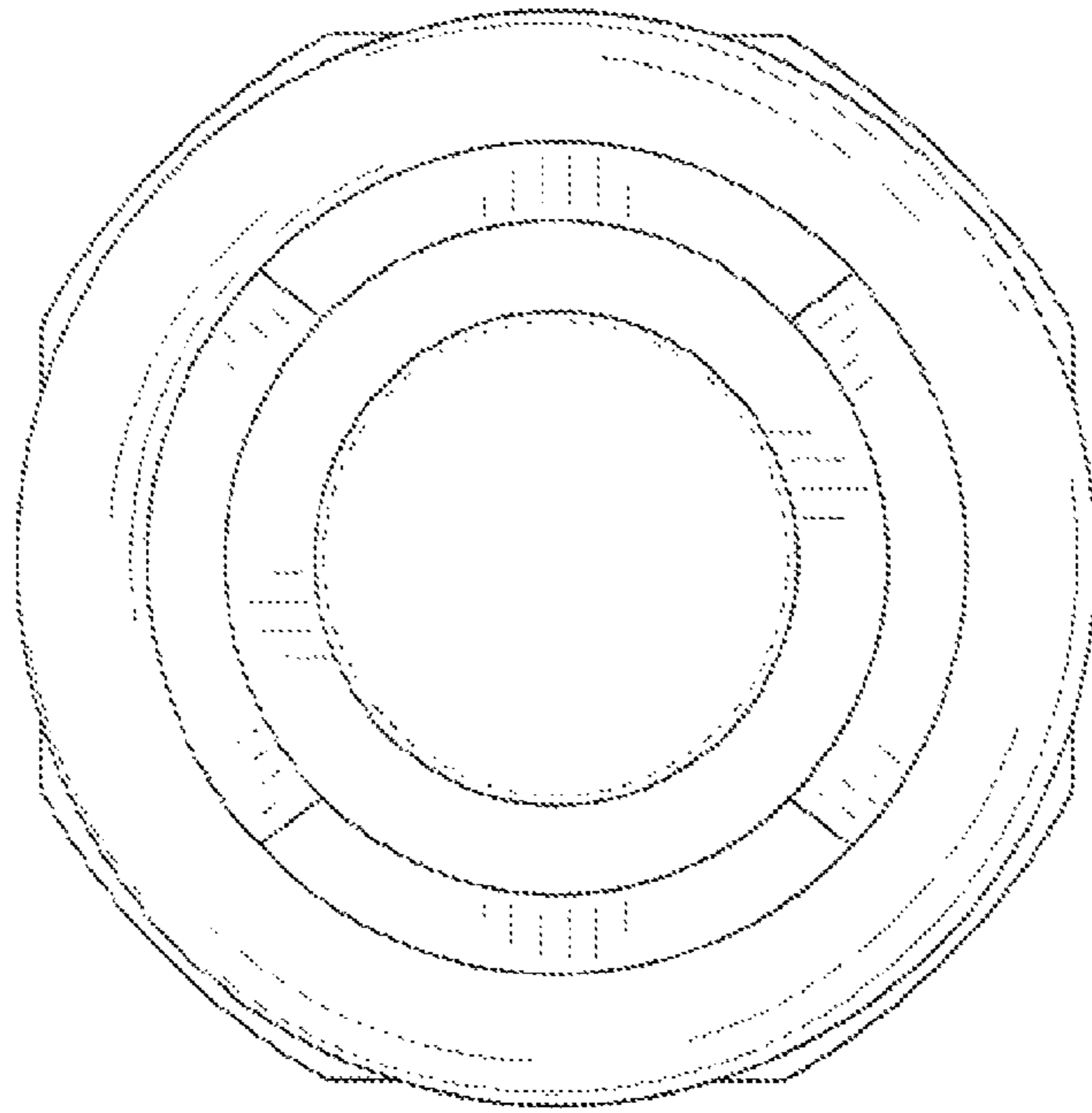


FIG. 4

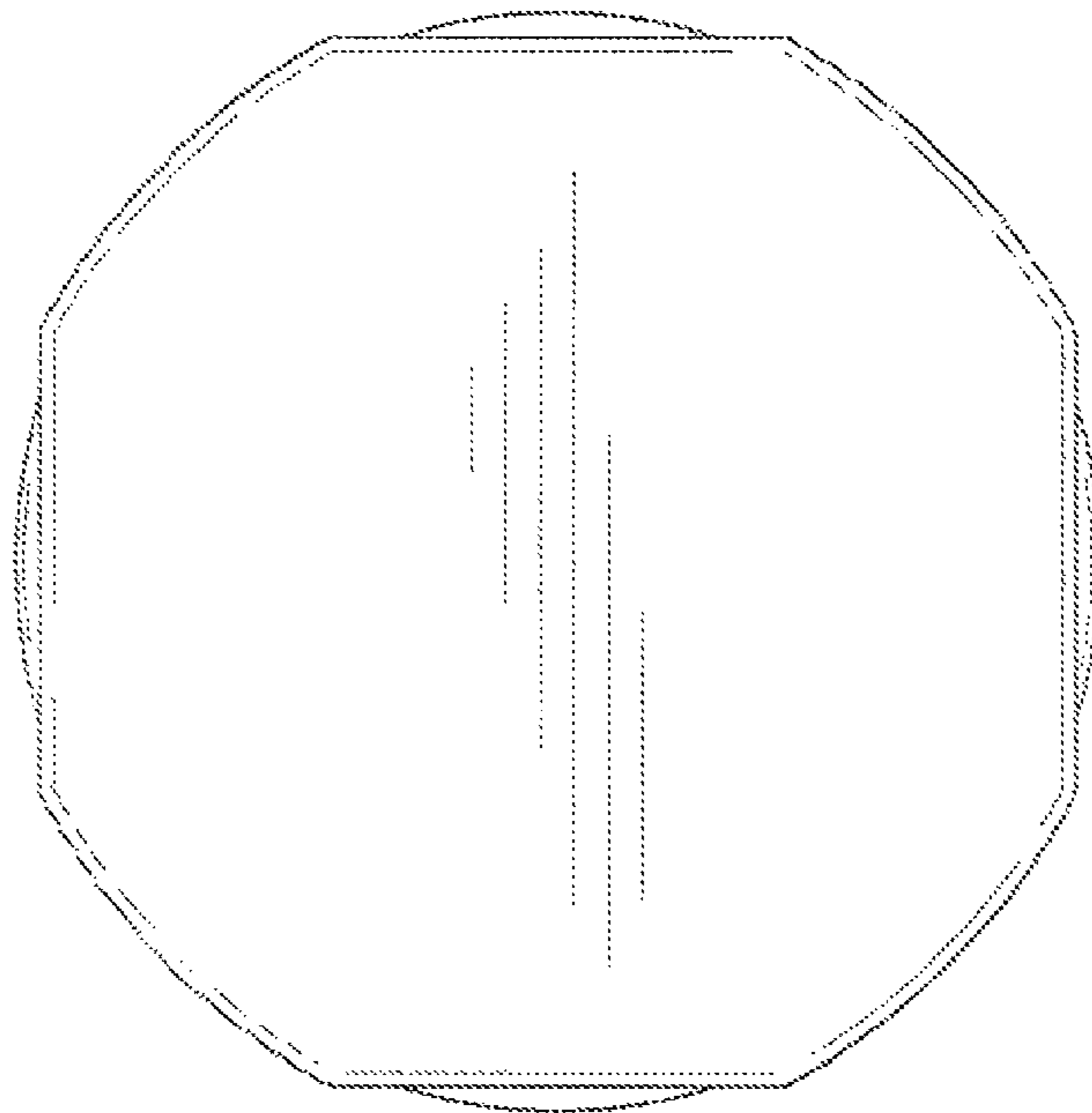


FIG. 5

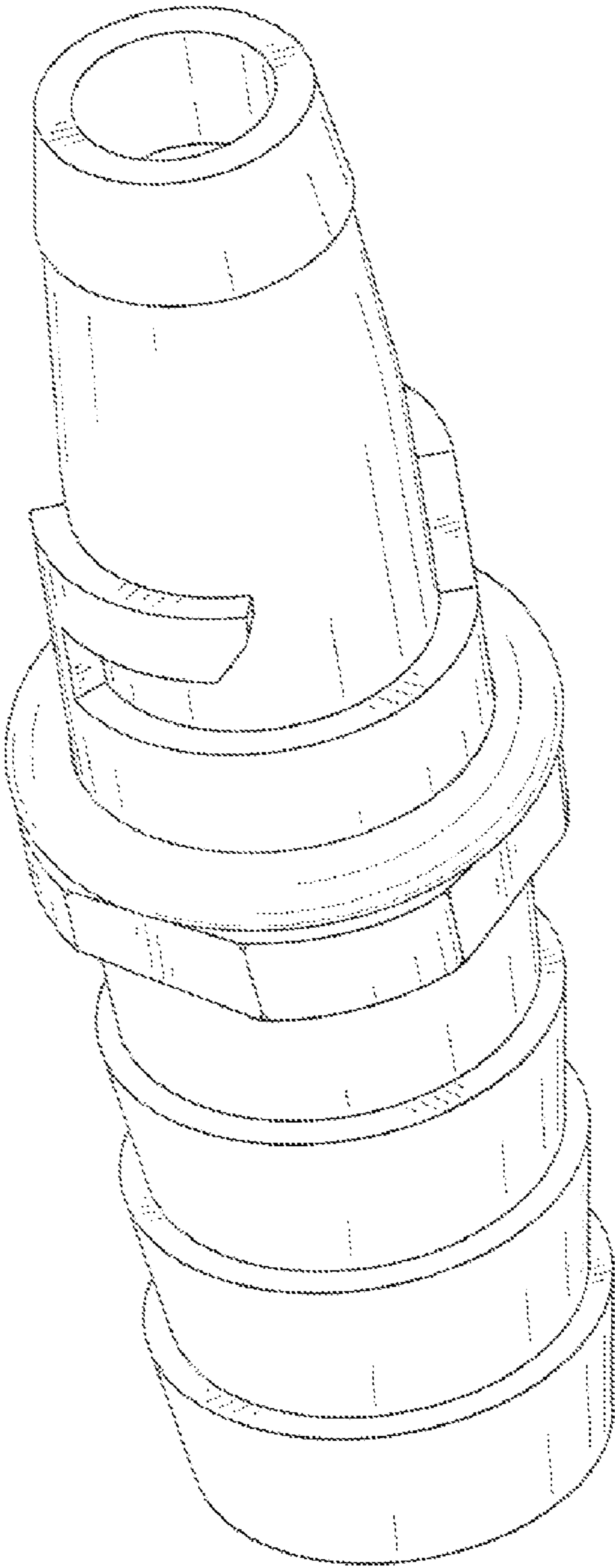


FIG. 8

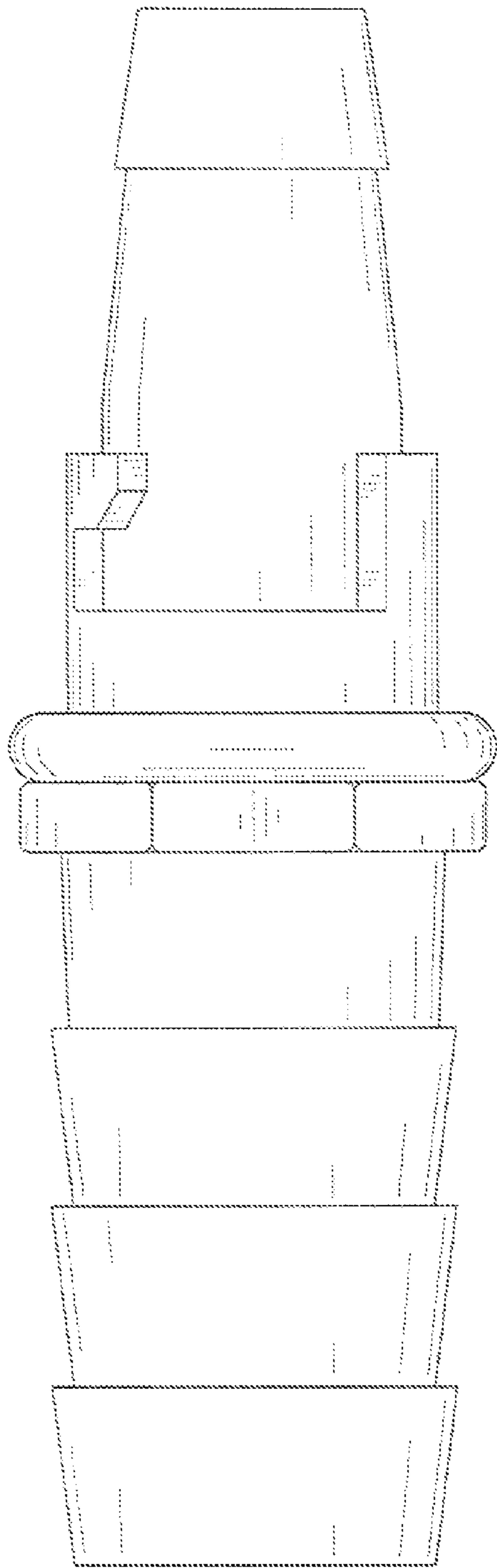


FIG. 7

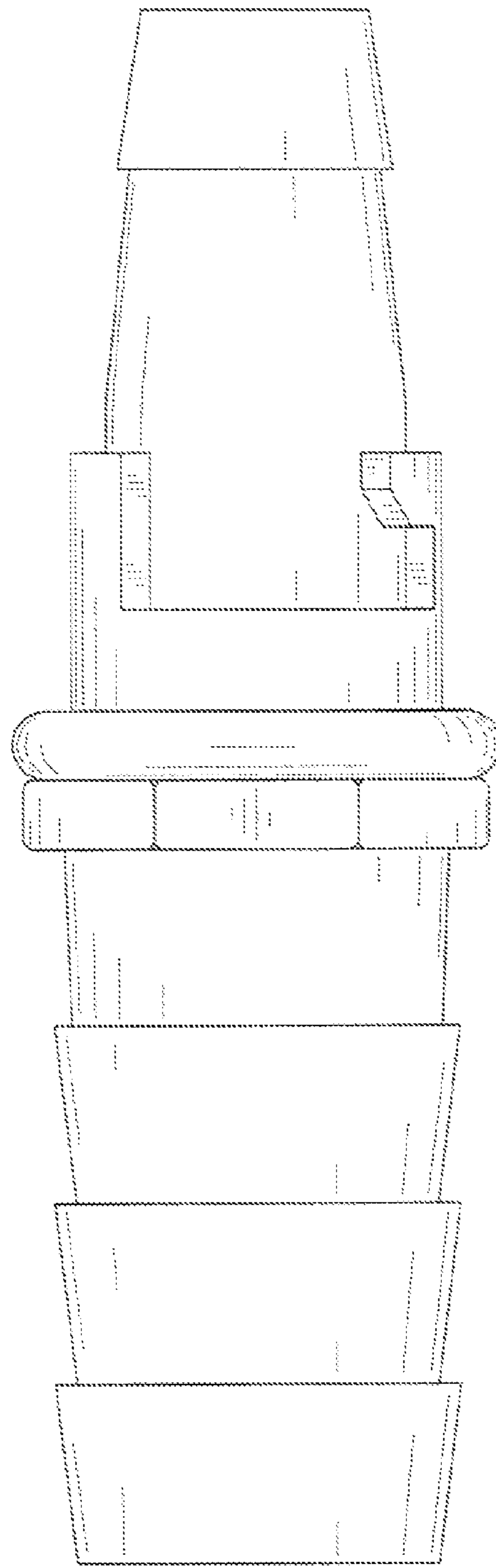


FIG. 8

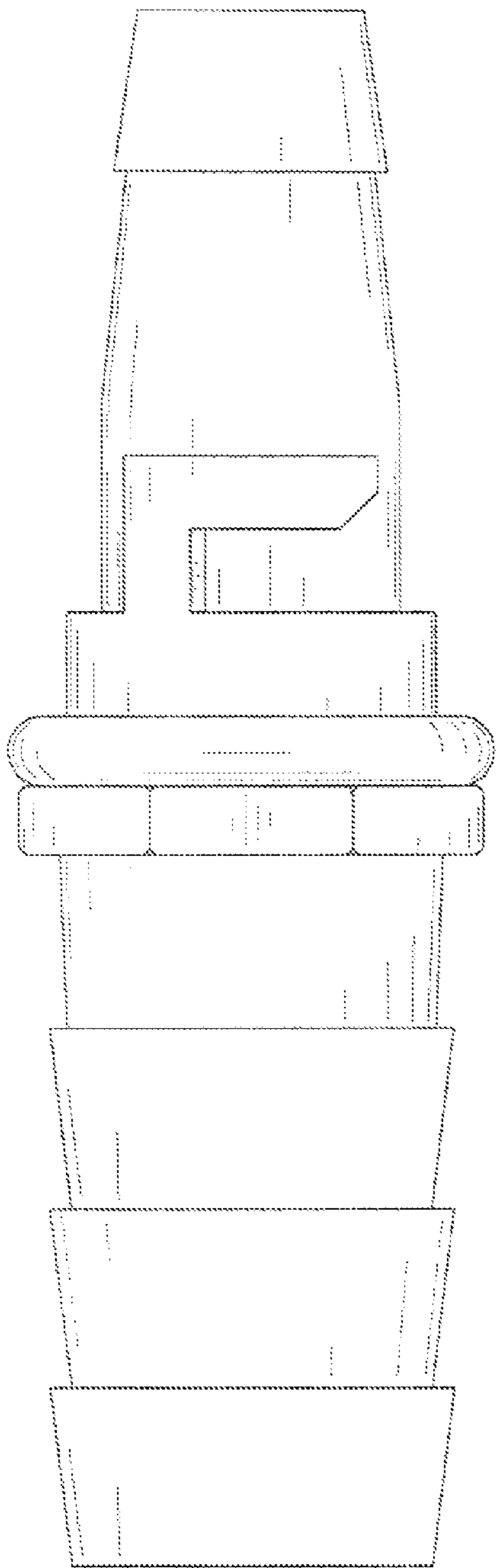


FIG. 9

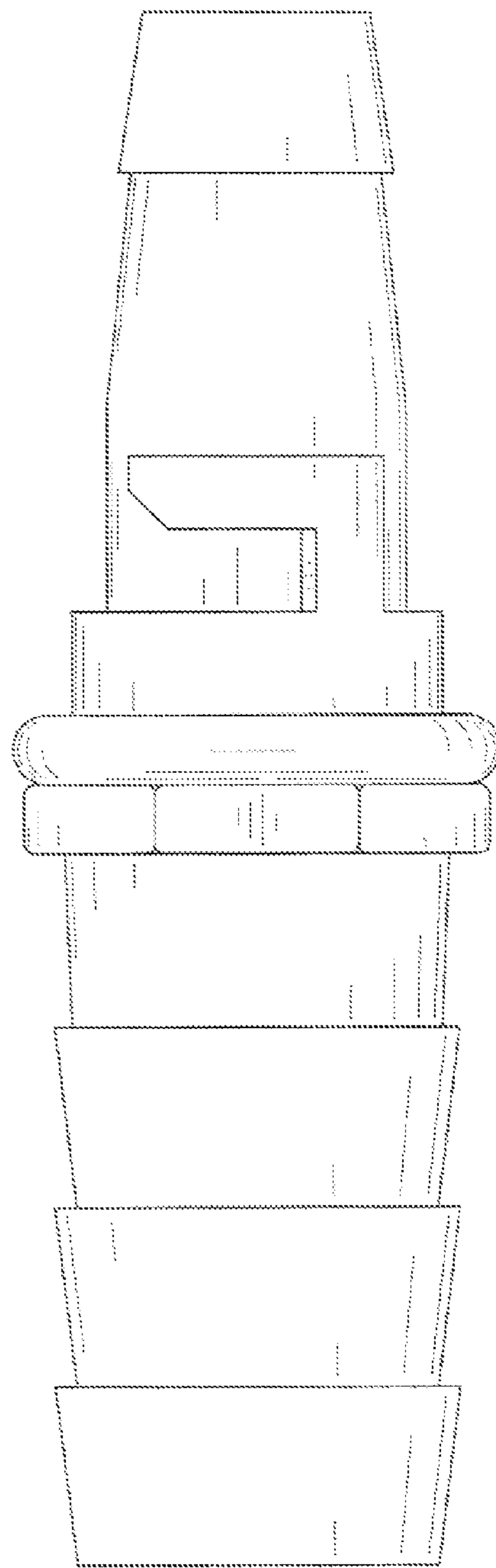


FIG. 10

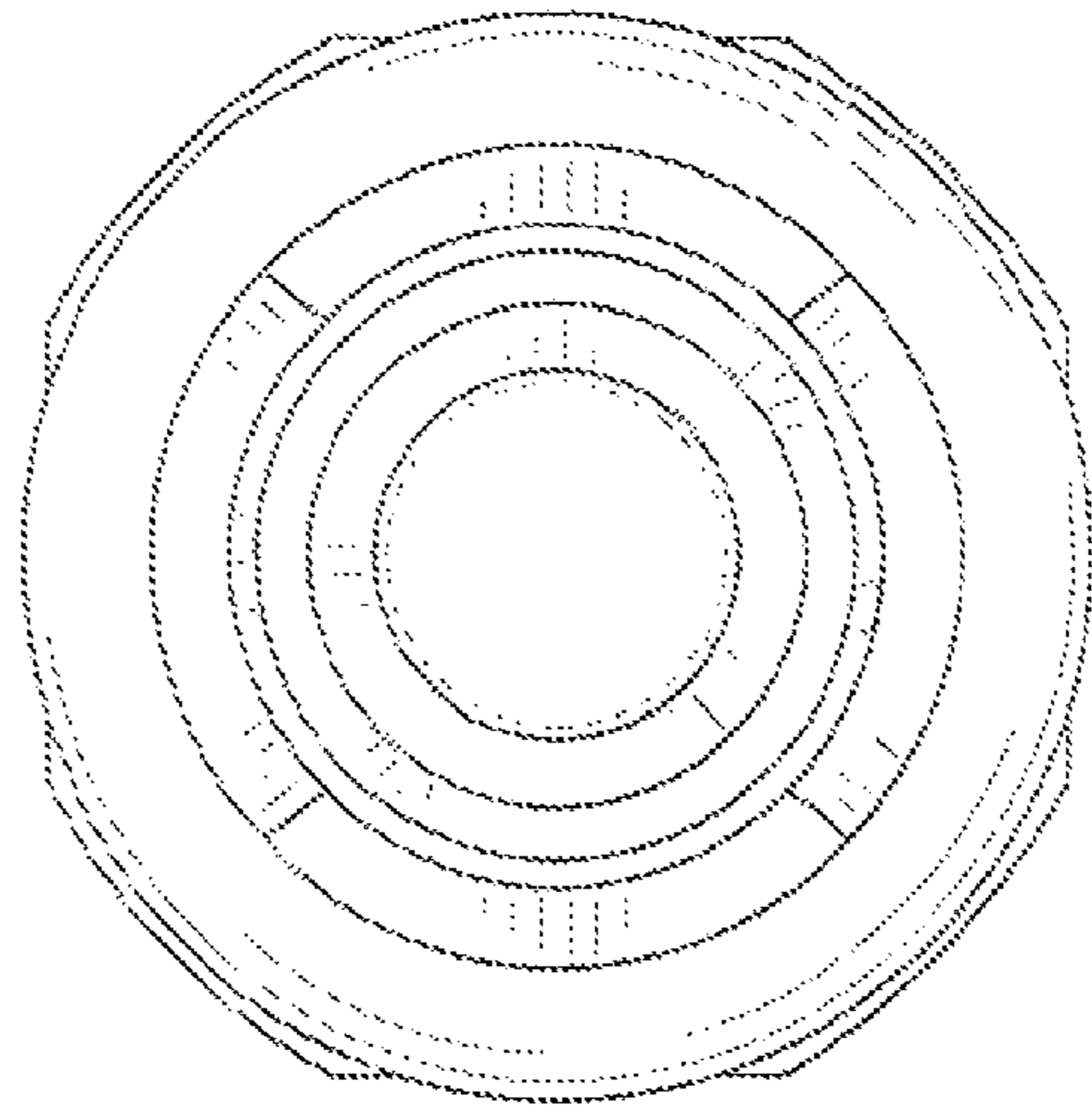


FIG. 11

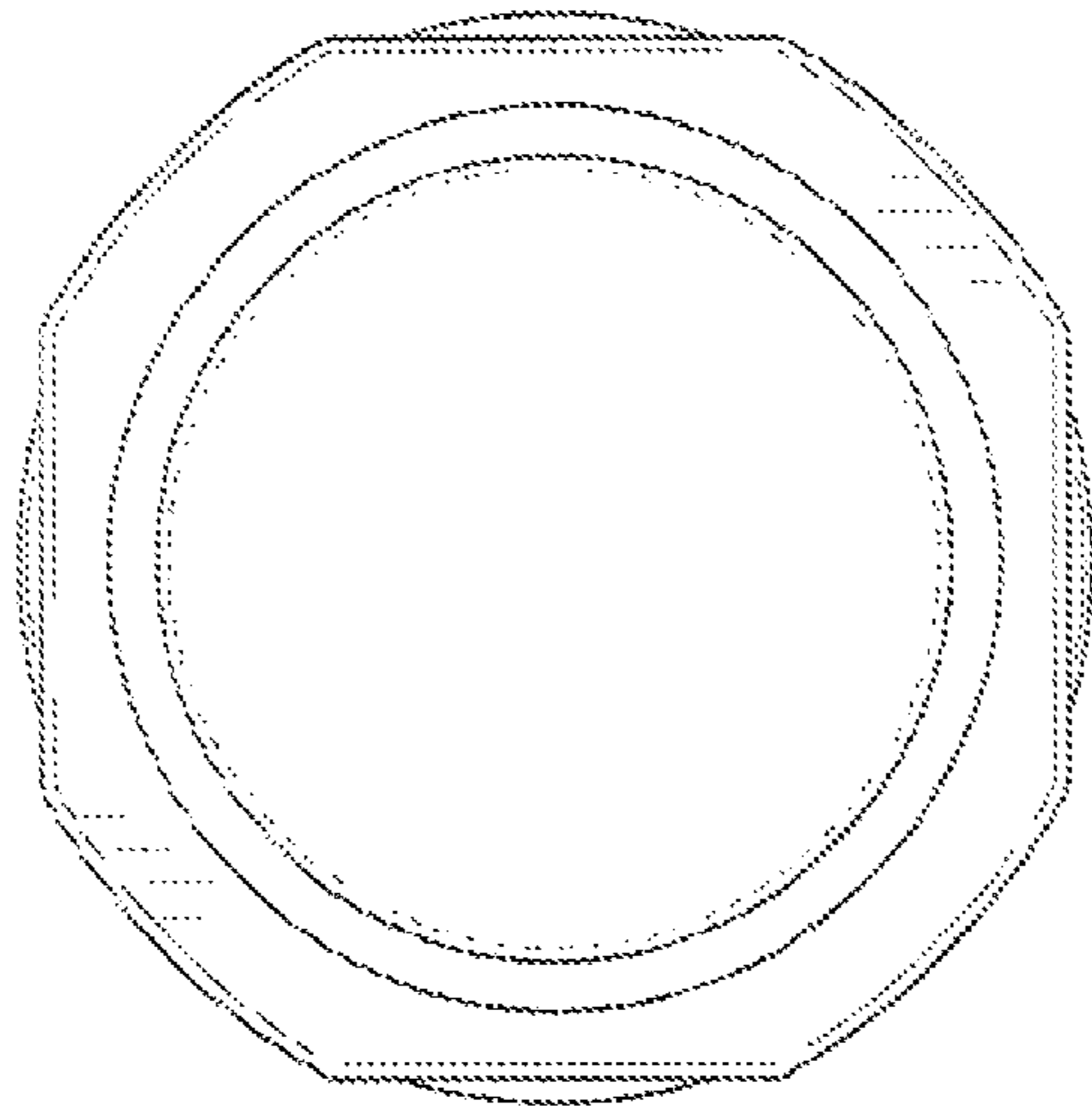


FIG. 12

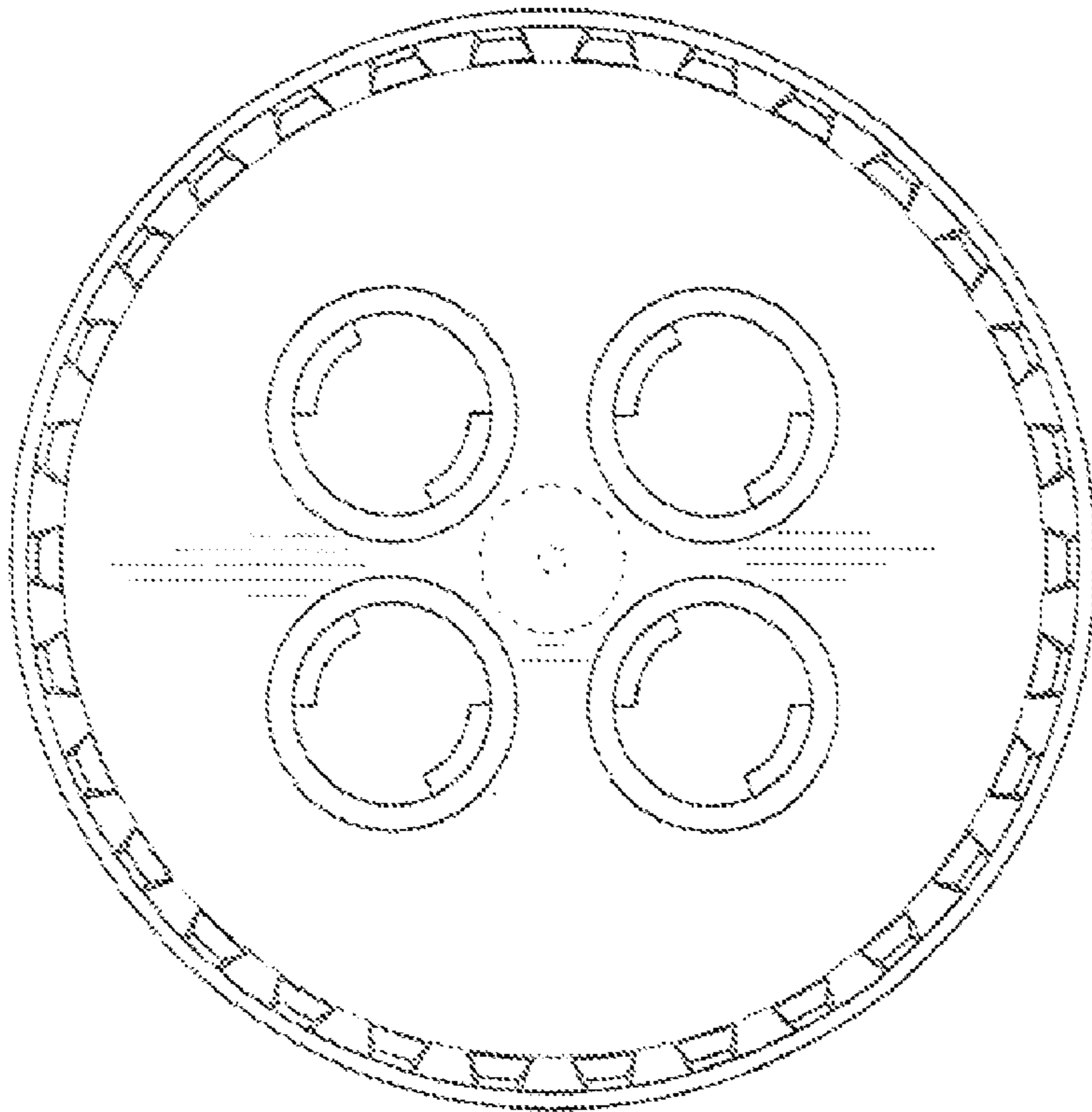


FIG. 13

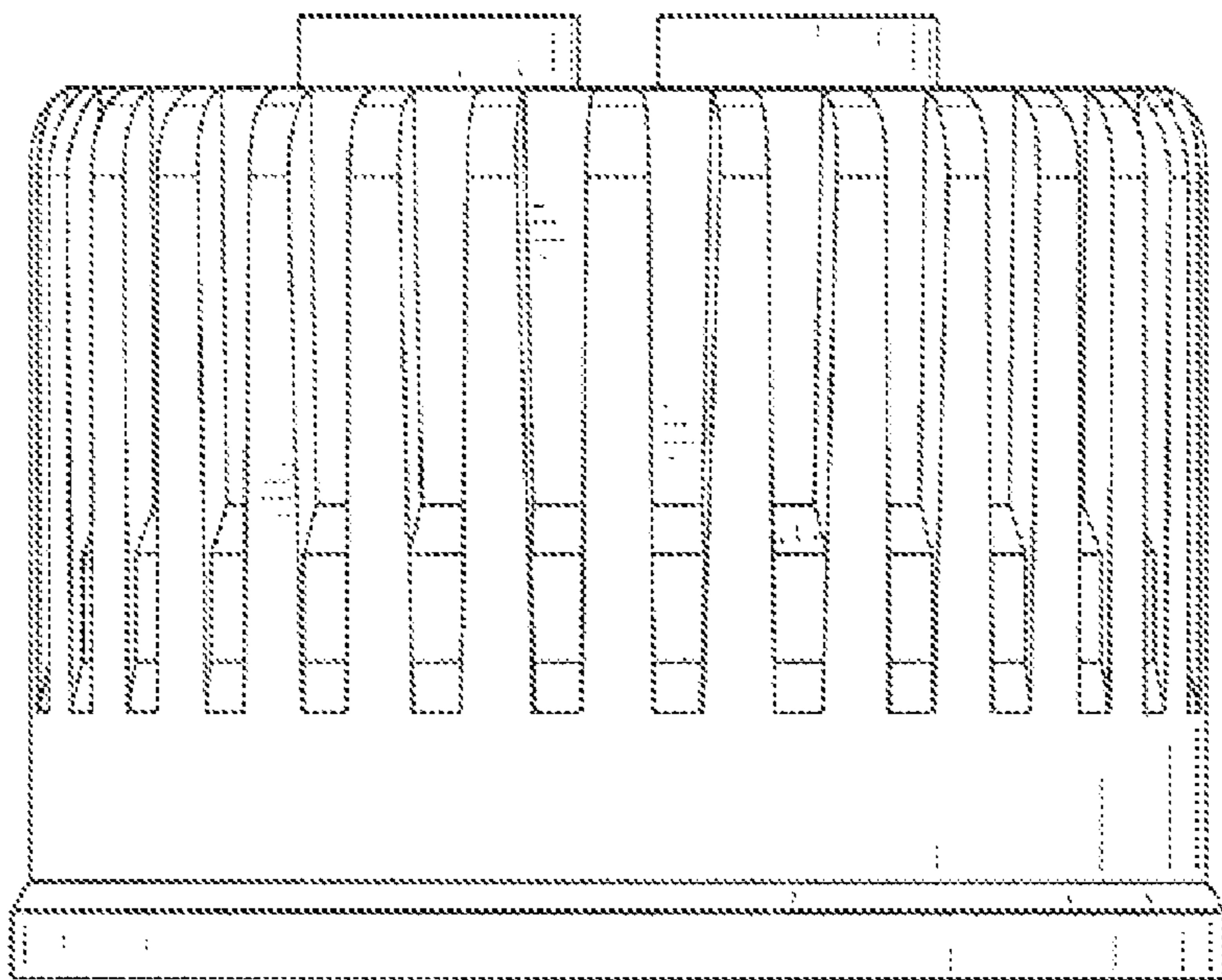


FIG. 14

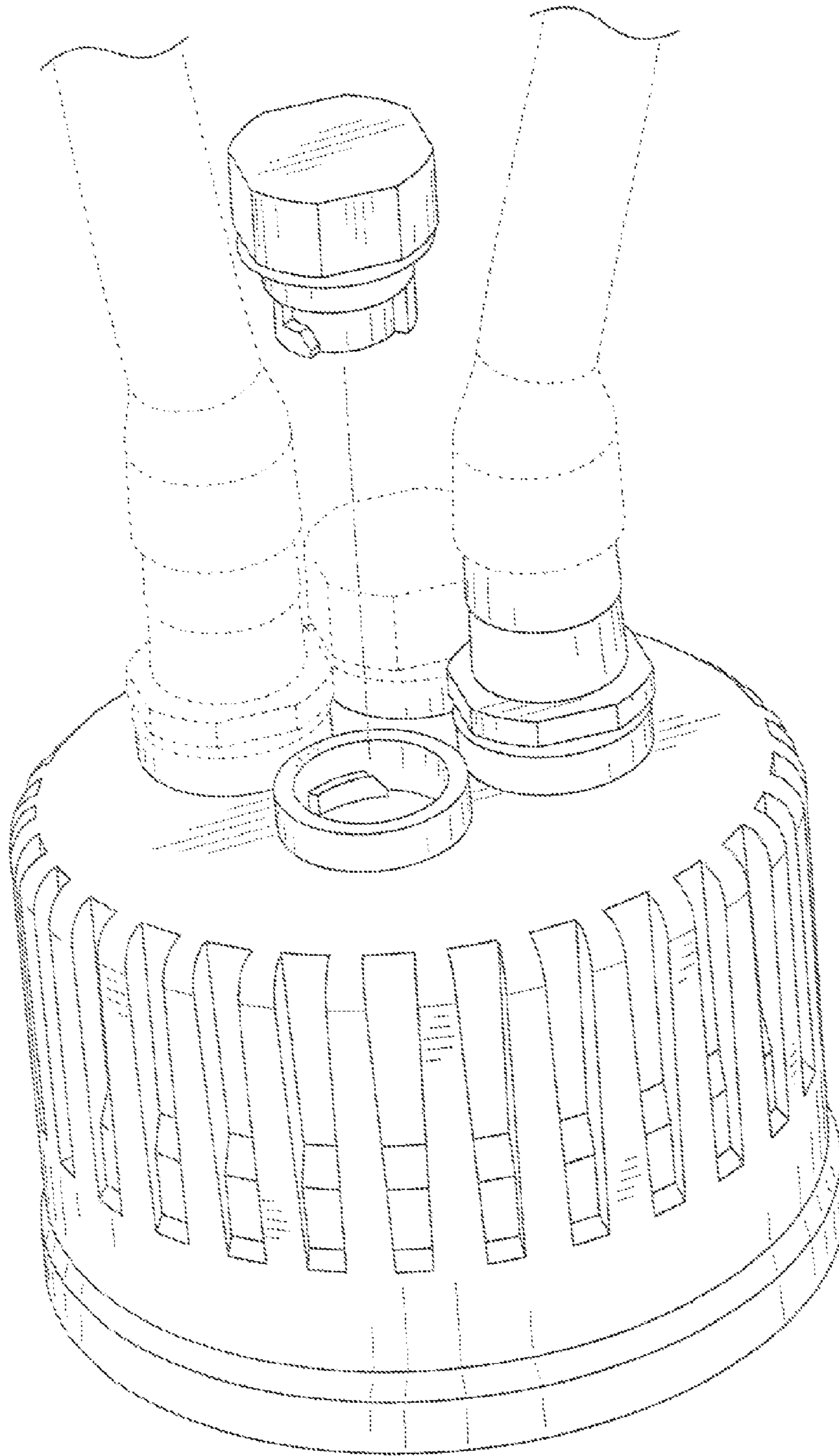


FIG. 15