

US00D667958S

(12) **United States Design Patent**
Wilson

(10) **Patent No.:** **US D667,958 S**

(45) **Date of Patent:** **** Sep. 25, 2012**

(54) **PERSONAL APPLICATOR**

(75) Inventor: **Bruce J. Wilson**, Edina, MN (US)

(73) Assignee: **Bruce J. Wilson**, Edina, MN (US)

(**) Term: **14 Years**

(21) Appl. No.: **29/373,943**

(22) Filed: **Jun. 13, 2011**

(51) **LOC (9) Cl.** **28-03**

(52) **U.S. Cl.** **D24/215**

(58) **Field of Classification Search** D24/200,
D24/211-215; 601/39, 40, 48, 52, 63, 68,
601/72, 80, 112, 113, 120, 121, 125, 134,
601/137, 138, DIG. 5, DIG. 14, DIG. 16,
601/DIG. 17

See application file for complete search history.

(56) **References Cited**

U.S. PATENT DOCUMENTS

D403,428 S * 12/1998 Russo D24/200
D422,711 S * 4/2000 Park D24/200

* cited by examiner

Primary Examiner — Sandra Snapp

(74) *Attorney, Agent, or Firm* — Richard C. Emery

(57) **CLAIM**

The ornamental design for a personal applicator, as shown.

DESCRIPTION

FIG. 1 is a side perspective of a personal applicator showing the design;

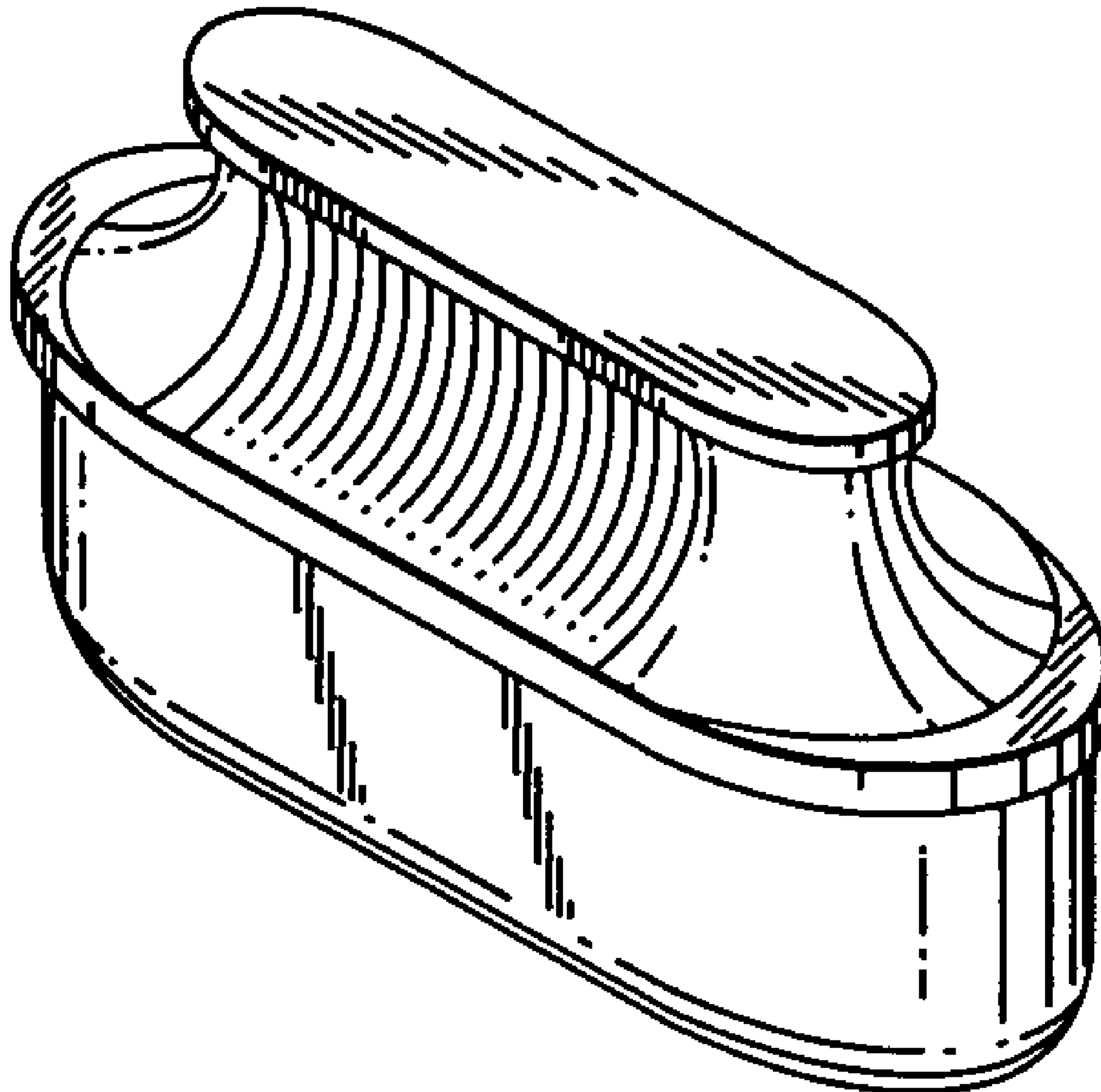
FIG. 2 is a top view thereof;

FIG. 3 is a side view thereof;

FIG. 4 is a bottom view thereof; and,

FIG. 5 is an end view thereof.

1 Claim, 1 Drawing Sheet



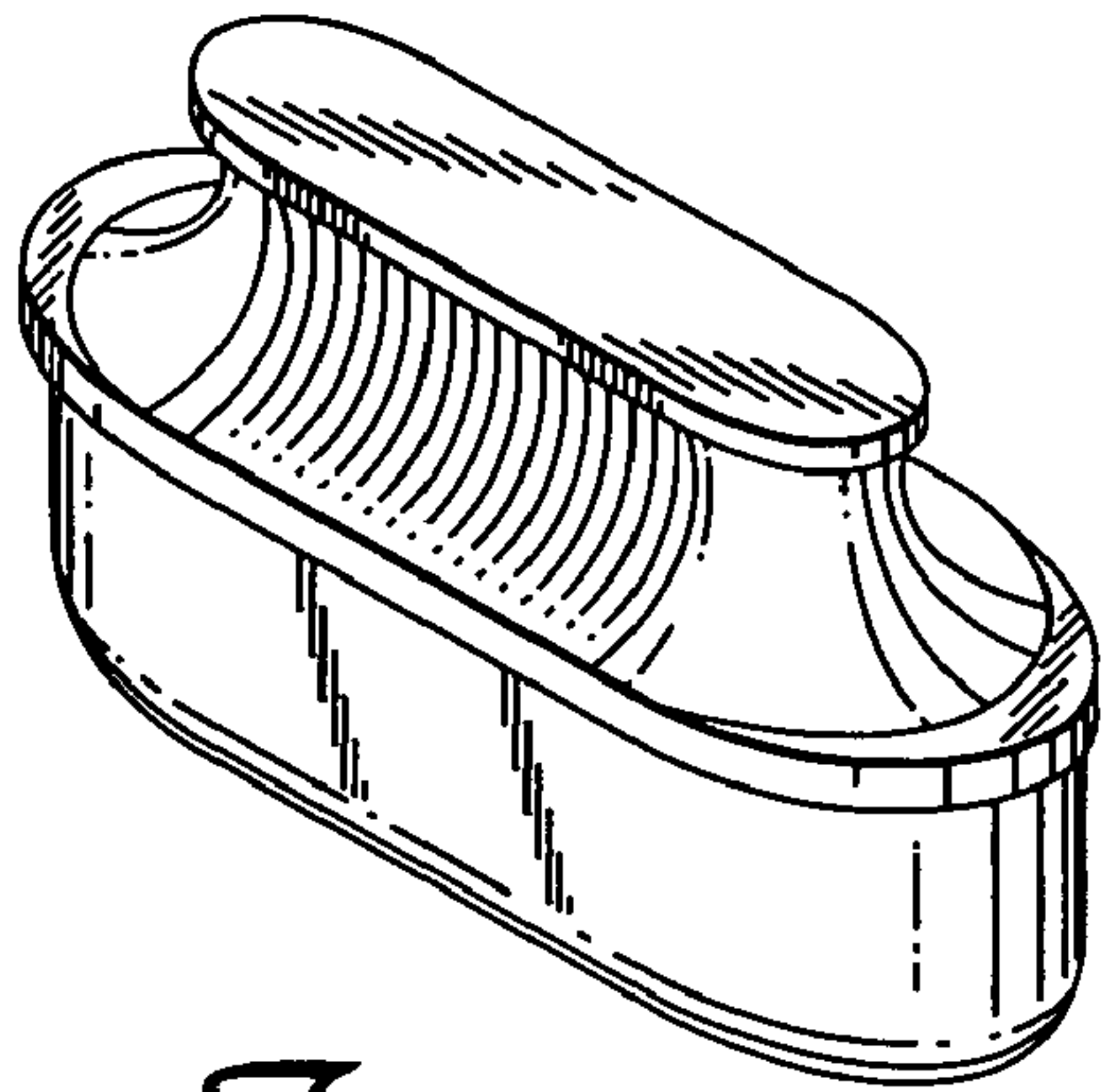


Fig. 1

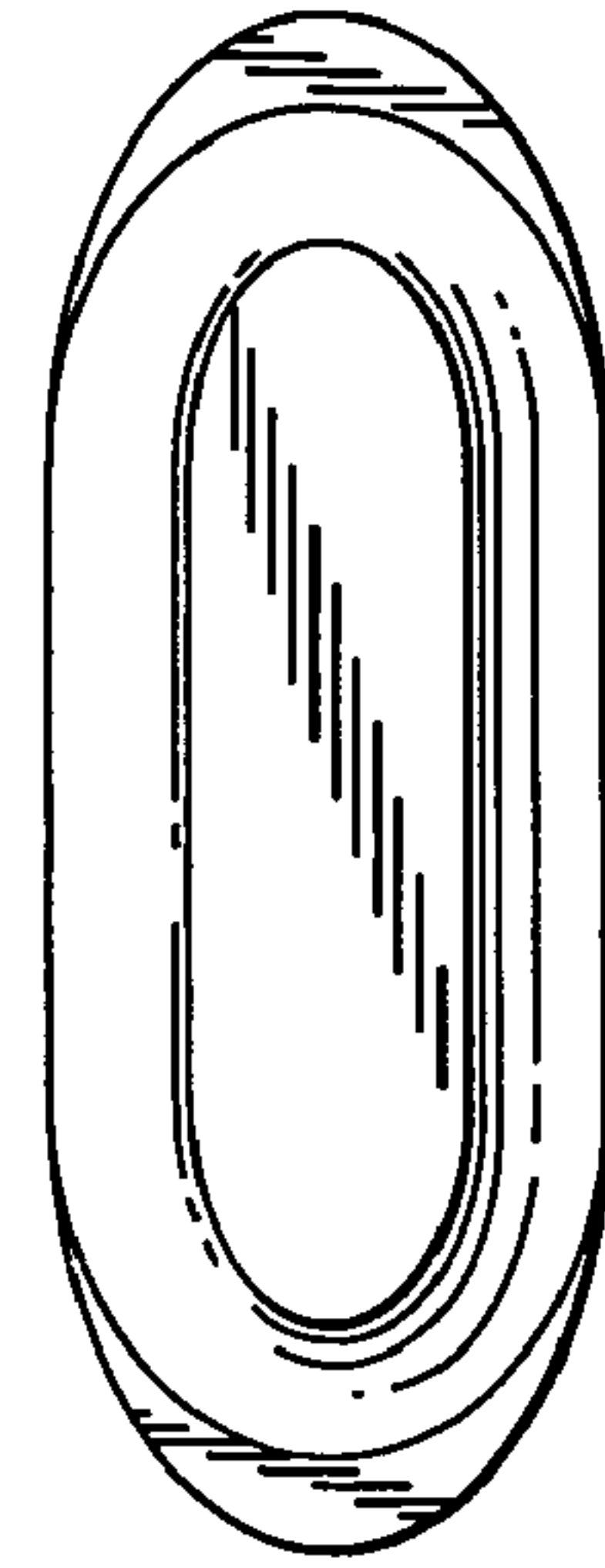


Fig. 2

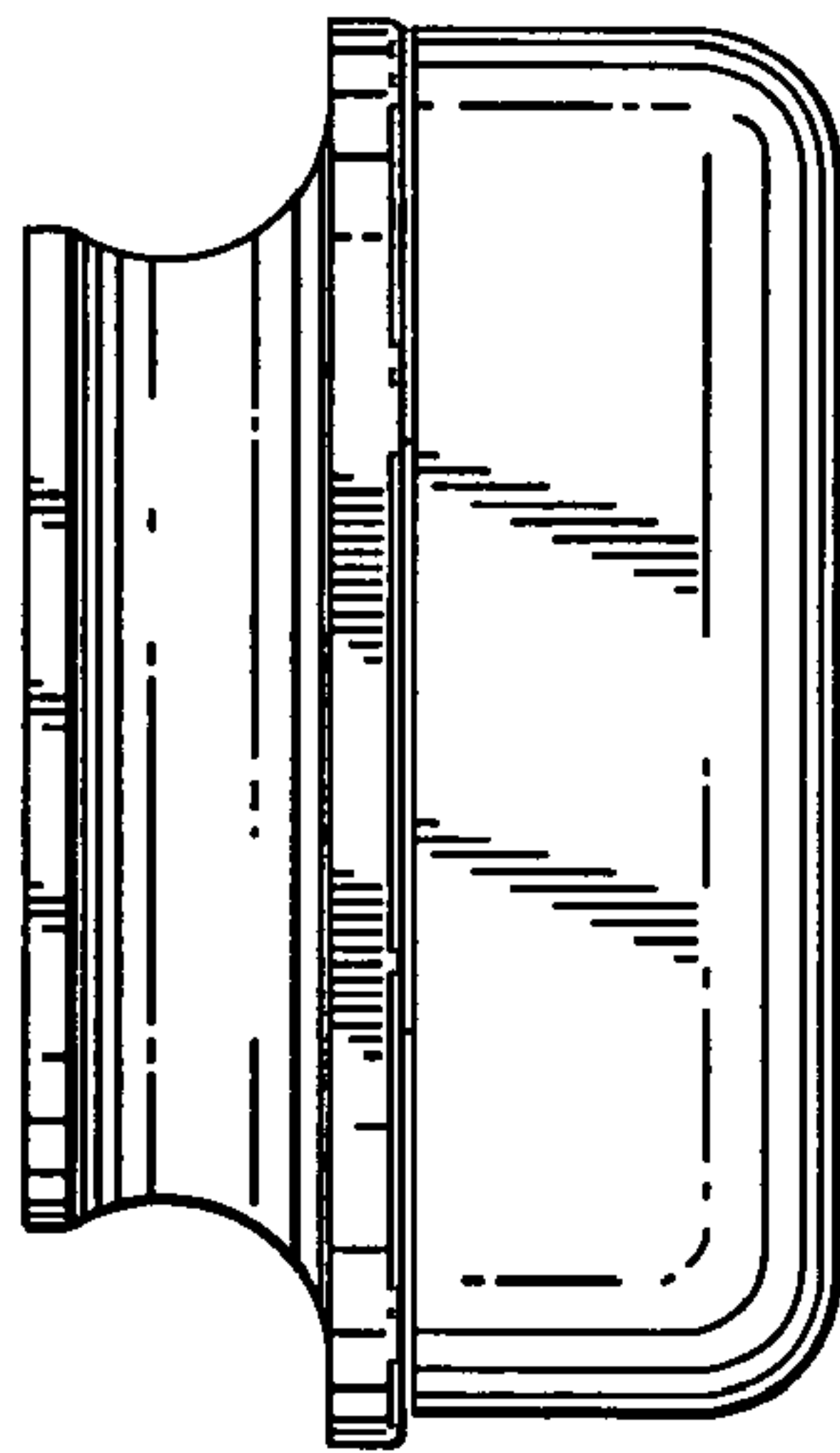


Fig. 3

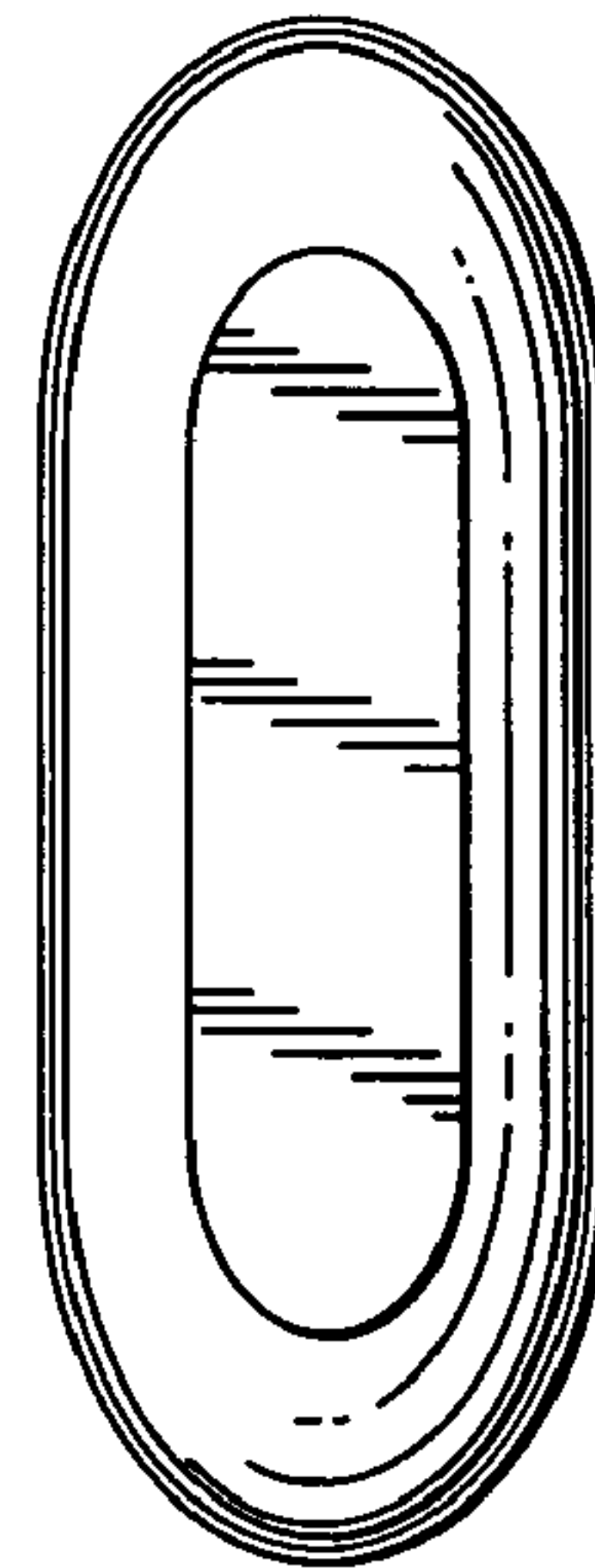


Fig. 4

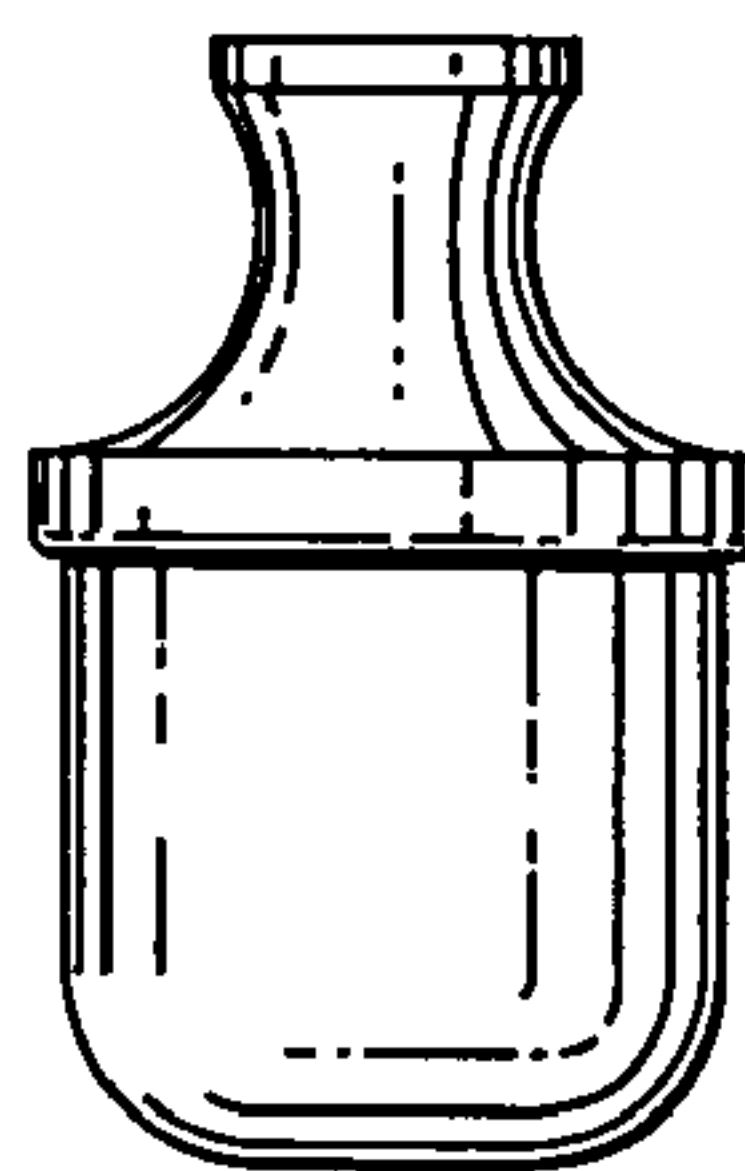


Fig. 5