



US00D667955S

(12) **United States Design Patent**
Spahn

(10) **Patent No.:** **US D667,955 S**

(45) **Date of Patent:** **** Sep. 25, 2012**

(54) **DENTAL IMPLANT**

(76) Inventor: **Frank-Peter Spahn**, Hasselt (BE)

(**) Term: **14 Years**

(21) Appl. No.: **29/394,664**

(22) Filed: **Jun. 20, 2011**

(30) **Foreign Application Priority Data**

Dec. 20, 2010 (DE) 40 2010 006 793

(51) **LOC (9) Cl.** **24-03**

(52) **U.S. Cl.** **D24/156**

(58) **Field of Classification Search** D24/155–156,
D24/176, 180; D8/382, 387; 433/75, 172–174,
433/181, 193–195, 211; 606/301, 305
See application file for complete search history.

(56) **References Cited**

U.S. PATENT DOCUMENTS

D319,500	S *	8/1991	Soderberg	D24/156
5,759,034	A *	6/1998	Daftary	433/173
D469,535	S *	1/2003	Lidskog et al.	D24/156
6,648,643	B2 *	11/2003	Hollander et al.	433/173
6,857,874	B2 *	2/2005	Kim	433/173
D507,650	S *	7/2005	Teich	D24/156
7,291,013	B2 *	11/2007	Aravena et al.	433/173
7,338,286	B2 *	3/2008	Porter et al.	433/173
D601,703	S *	10/2009	Kahdemann	D24/156
8,029,283	B2 *	10/2011	Schwarz et al.	433/173
8,118,596	B2 *	2/2012	Niznick	433/174
2009/0130629	A1 *	5/2009	Towse et al.	433/174
2009/0239197	A1 *	9/2009	Brajnovic	433/174
2009/0305190	A1 *	12/2009	Zipprich	433/173
2010/0145393	A1	6/2010	Fallin et al.	
2010/0291507	A1 *	11/2010	Abdelgany	433/174

OTHER PUBLICATIONS

Dental-Implant, 1 page, [on line], [retrieved on Dec. 5, 2011]. Retrieved from the Internet <URL: <http://drdentalimplants.com/wp-content/uploads/2011/10/Dental-Implant.jpg>>.*

Google Image Result for <http://drdentalimplants.com/wp-content/uploads/2011/mini-dental-implant-MDI.jpg>. [Retrieved on May 7, 2012].*

SisoMM.com—Peek-Based Implant System ®; SISOMM—Catalogue; Dec. 8, 2010; 2 pages; retrieved from the Internet via <http://www.sisomm.com/pdf/implantologie-crestale-de>.

* cited by examiner

Primary Examiner — Wan Laymon

(74) *Attorney, Agent, or Firm* — St. Onge Steward Johnston & Reens LLC

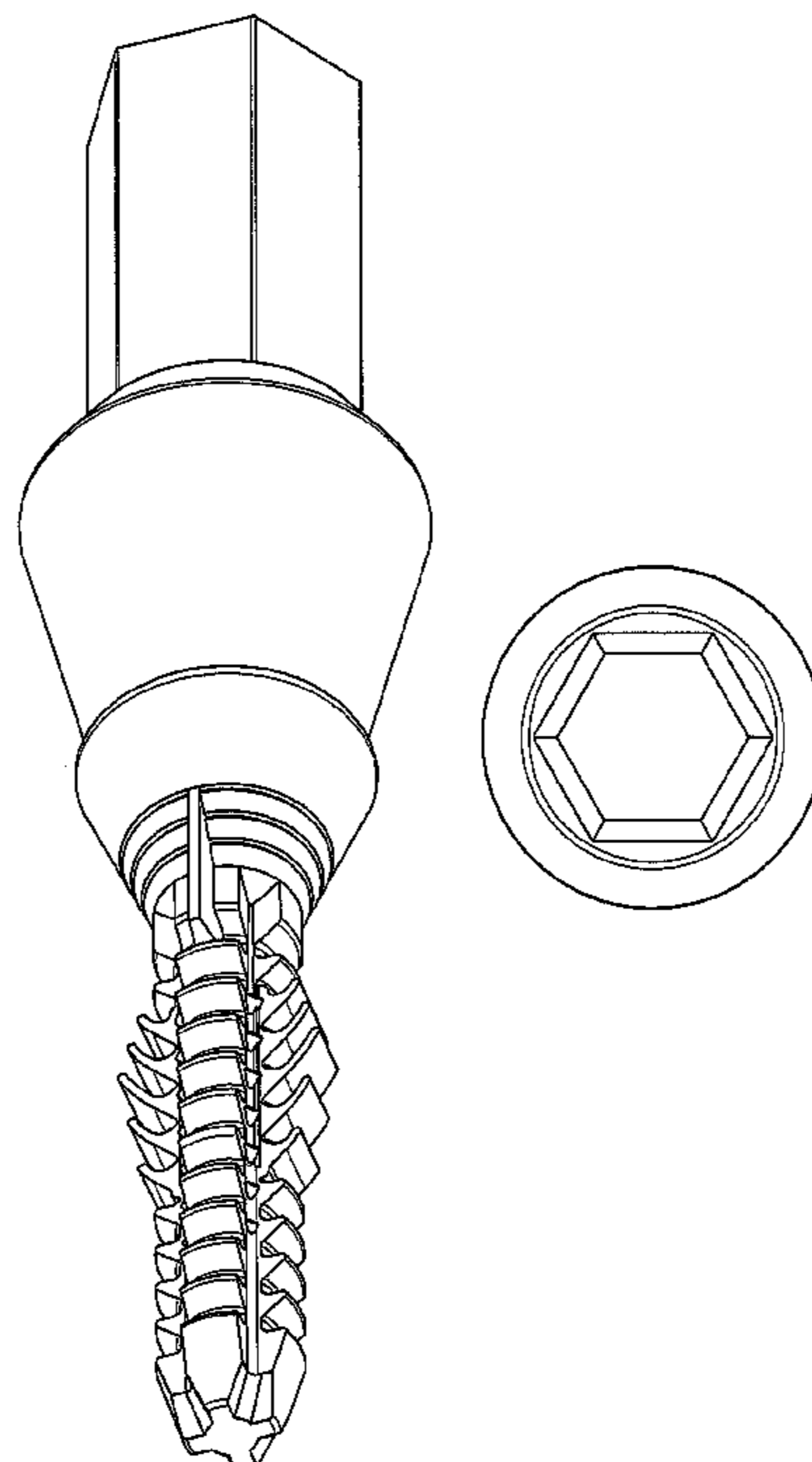
(57) **CLAIM**

The ornamental design for a dental implant, as shown and described.

DESCRIPTION

FIG. 1 is a top front perspective view of a dental implant in accordance with the new design;
FIG. 2 is a top right side isometric view thereof;
FIG. 3 is a bottom left side isometric view thereof;
FIG. 4 is a right side elevation view thereof, a left side elevation view being a mirror image thereof;
FIG. 5 is a top plan view thereof, a bottom plan view being a mirror image thereof;
FIG. 6 is a rear elevation view thereof; and,
FIG. 7 is a front elevation view thereof.

1 Claim, 4 Drawing Sheets



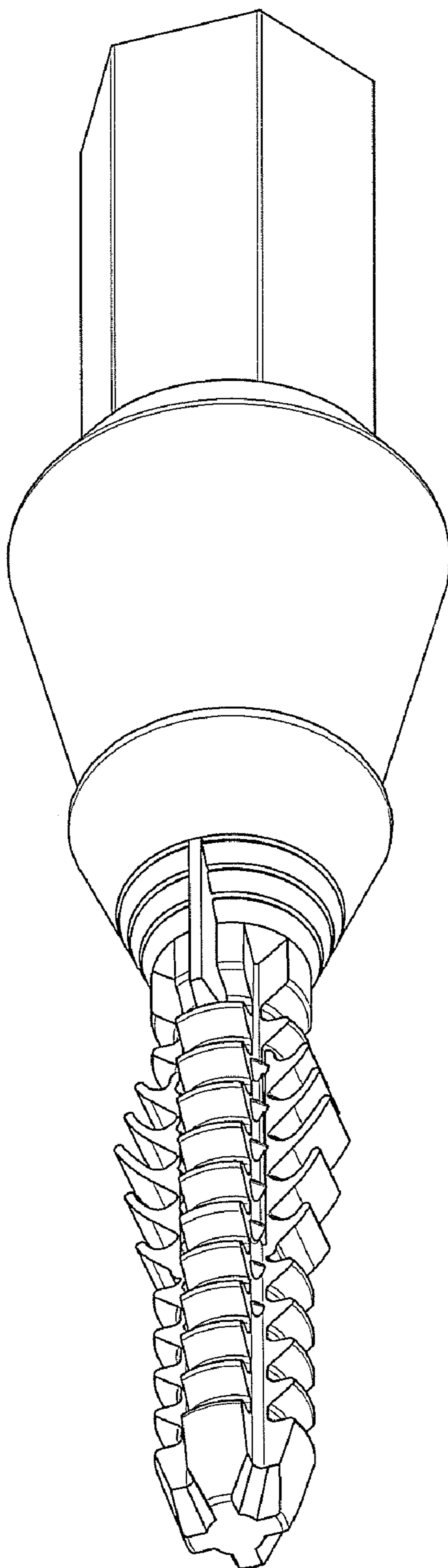


Fig. 1

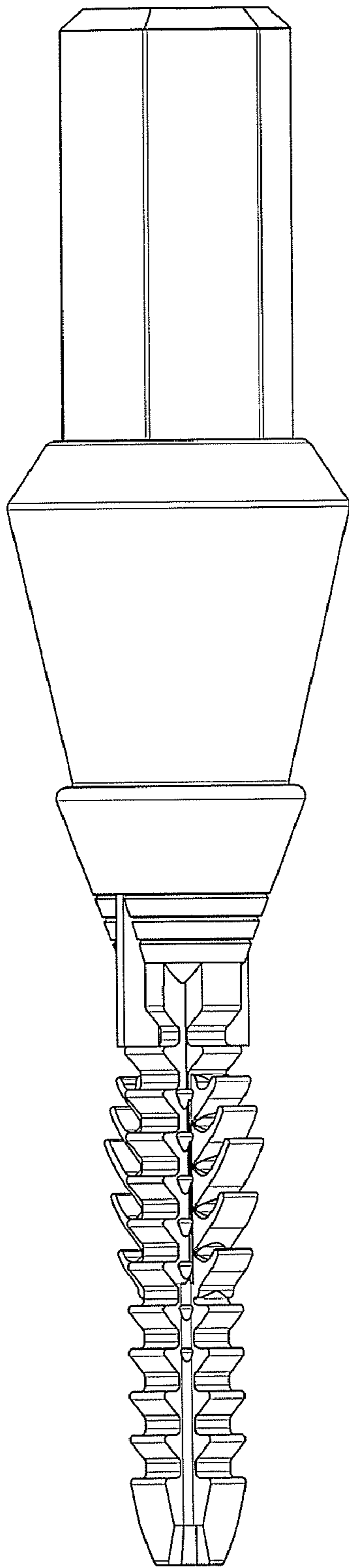


Fig. 2

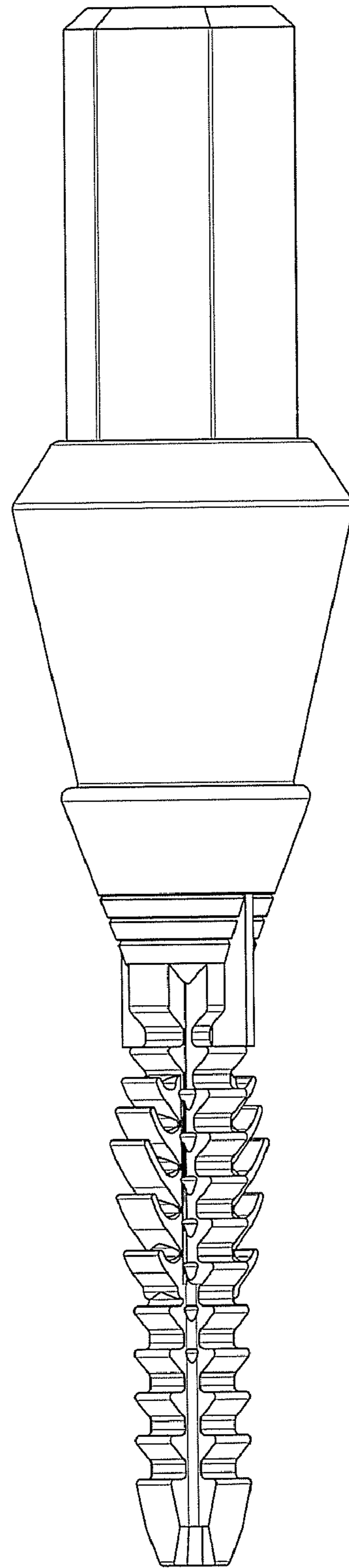


Fig. 3

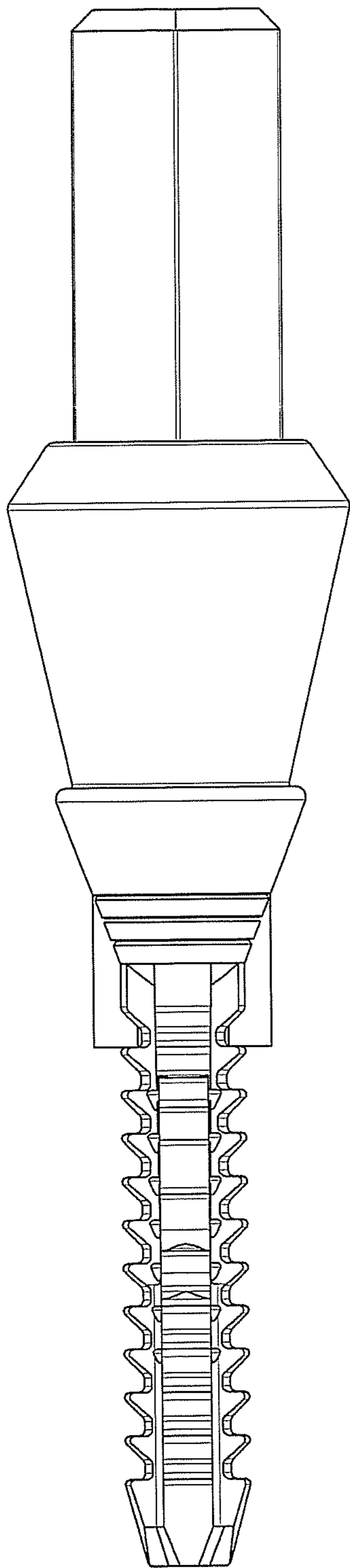


Fig. 4

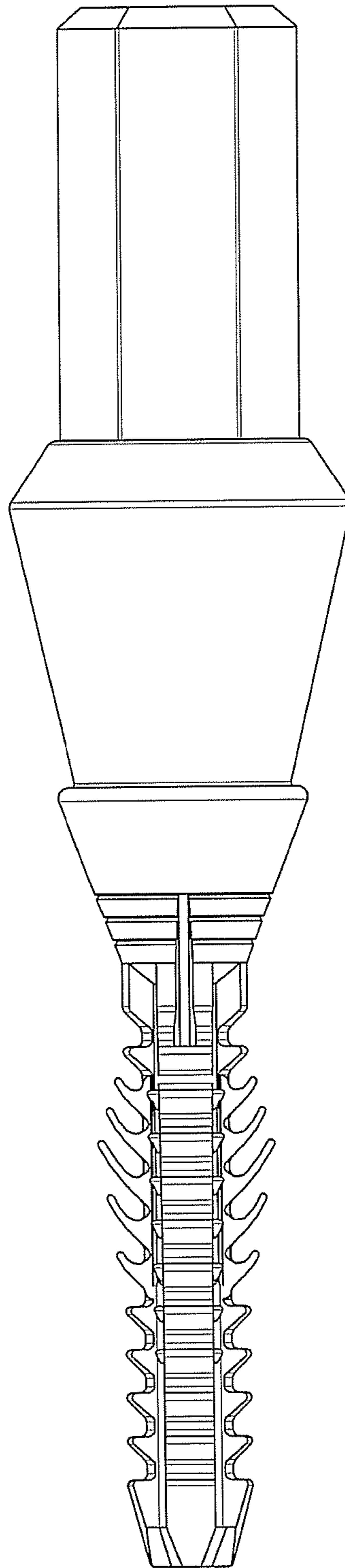


Fig. 5

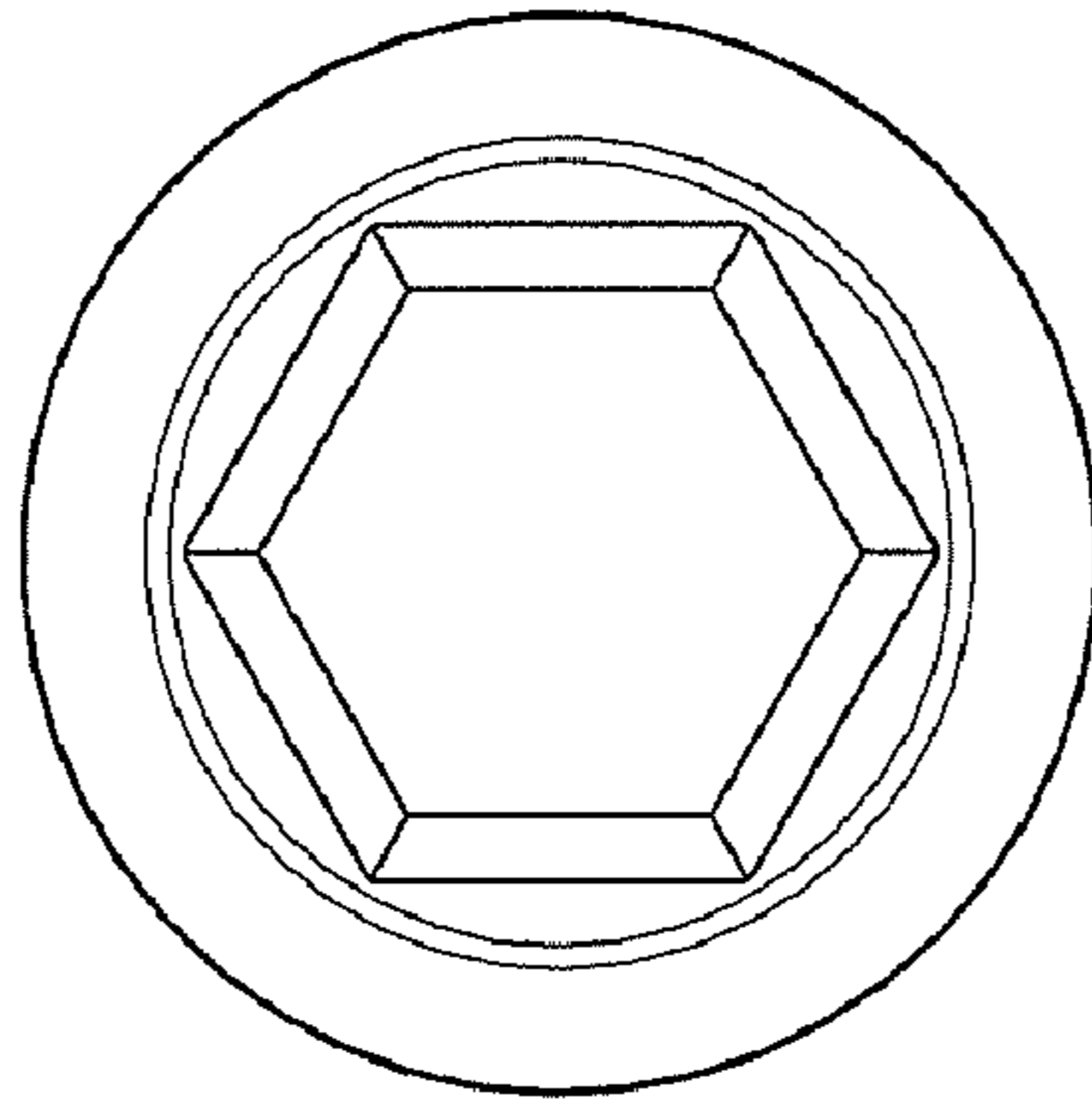


Fig. 6

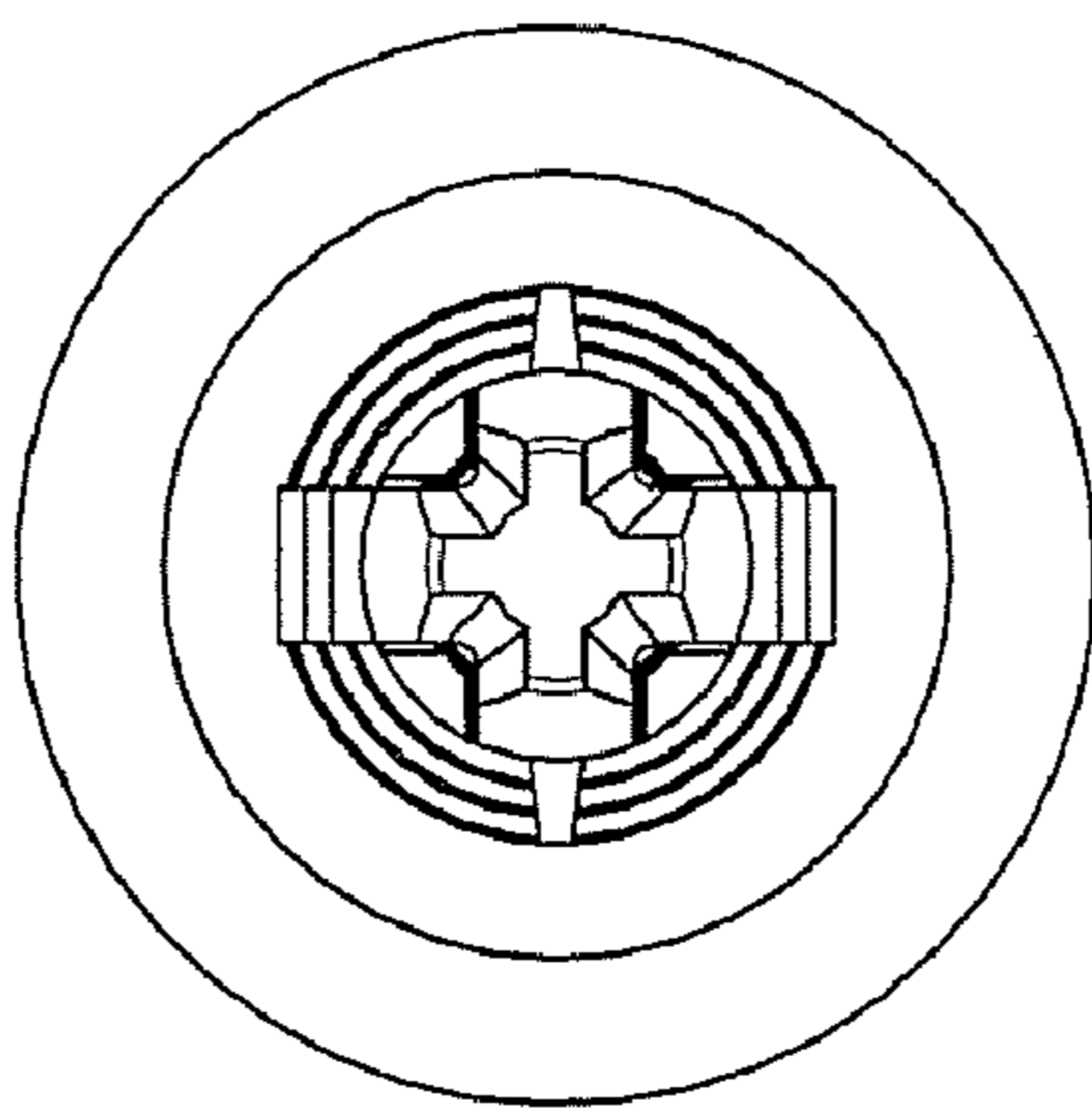


Fig. 7