



US00D667954S

(12) **United States Design Patent**
Mastri et al.

(10) **Patent No.:** **US D667,954 S**

(45) **Date of Patent:** **** Sep. 25, 2012**

(54) **VISUALIZATION TROCAR**

(75) Inventors: **Dominick Mastri**, Bridgeport, CT (US);
Kurt Azarbarzin, Fairfield, CT (US)

(73) Assignee: **SurgiQuest, Inc.**, Milford, CT (US)

(**) Term: **14 Years**

(21) Appl. No.: **29/366,388**

(22) Filed: **Jul. 23, 2010**

Related U.S. Application Data

(63) Continuation-in-part of application No. 11/973,123,
filed on Oct. 5, 2007, and a continuation-in-part of
application No. 29/359,636, filed on Apr. 13, 2010.

(51) **LOC (9) Cl.** **24-02**

(52) **U.S. Cl.** **D24/146**

(58) **Field of Classification Search** D24/147,
D24/146, 130; 606/181, 182, 184, 185, 134,
606/167, 170; 604/164.01, 164.07, 264,
604/506, 27, 272; 600/567

See application file for complete search history.

(56) **References Cited**

U.S. PATENT DOCUMENTS

3,224,320 A 12/1965 Knudsen
(Continued)

FOREIGN PATENT DOCUMENTS

DE 2538758 A1 3/1977
(Continued)

OTHER PUBLICATIONS

International Search Report and Written Opinion dated May 24, 2011
for international application PCT/US2011/032305.

(Continued)

Primary Examiner — Ian Simmons

Assistant Examiner — Carissa C Fitts

(74) *Attorney, Agent, or Firm* — Edwards Wildman Palmer
LLP; Scott D. Wofsy

(57) **CLAIM**

The ornamental design for a visualization trocar, as shown
and described.

DESCRIPTION

FIG. 1 is a perspective view of a visualization trocar accord-
ing to the present invention;

FIG. 2 is a lateral perspective view of the visualization trocar
of FIG. 1;

FIG. 3 is a rear perspective view of the visualization trocar of
FIG. 1;

FIG. 4 is a side elevational view of the visualization trocar of
FIG. 1;

FIG. 5 is a top plan view of the visualization trocar of FIG. 1;

FIG. 6 is a front end view of the visualization trocar of FIG. 1;

FIG. 7 is a rear end view of the visualization trocar of FIG. 1;

FIG. 8 is a perspective view of a visualization trocar accord-
ing to a second embodiment of the present invention.

FIG. 9 is a lateral perspective view of the visualization trocar
of FIG. 8;

FIG. 10 is a rear perspective view of the visualization trocar of
FIG. 8;

FIG. 11 is a side elevational view of the visualization trocar of
FIG. 8;

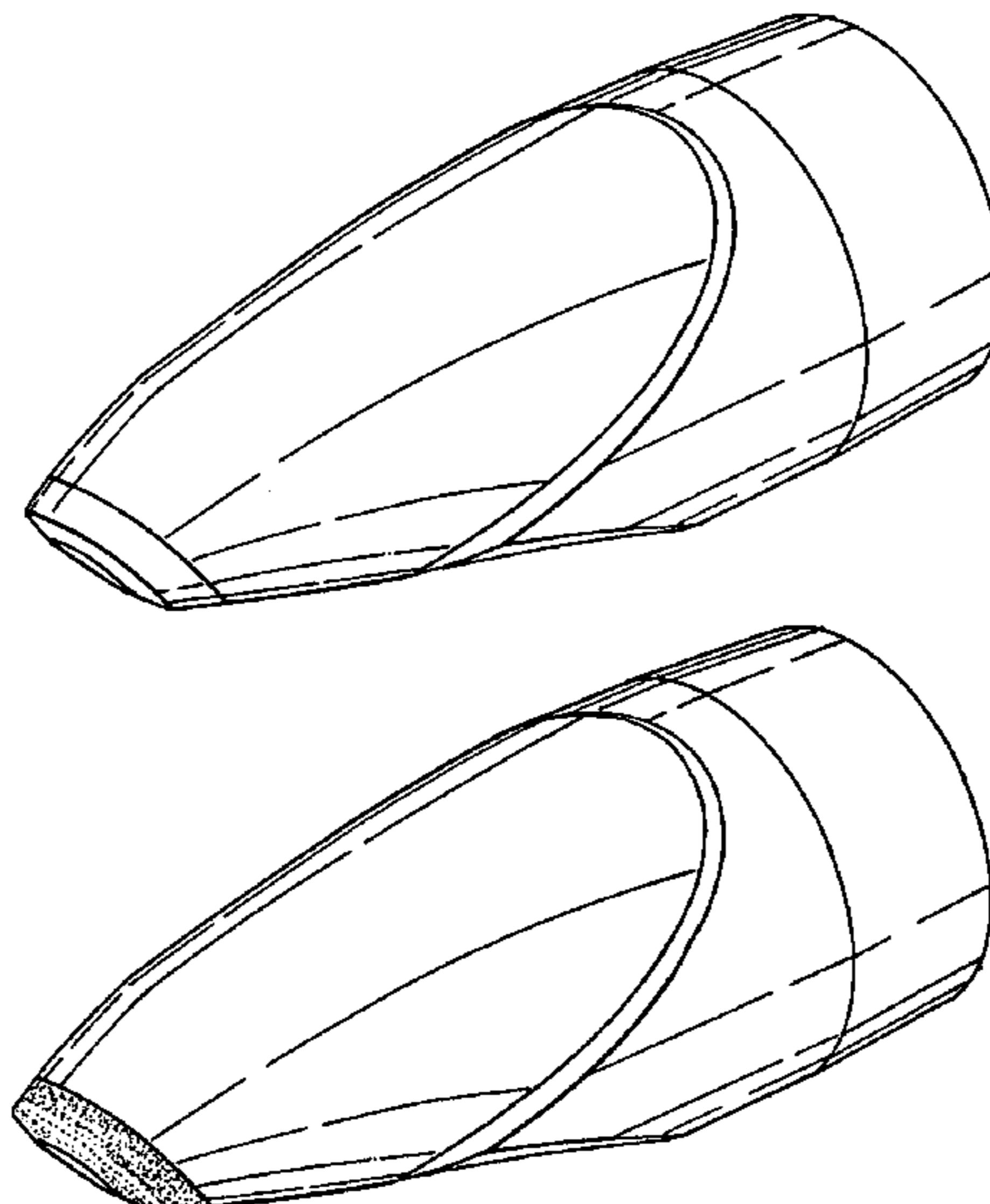
FIG. 12 is a top plan view of the visualization trocar of FIG.
8;

FIG. 13 is a front end view of the visualization trocar of FIG.
8; and,

FIG. 14 is a rear end view of the visualization trocar of FIG.
8.

The stippling shown in FIGS. 8-14 indicates opacity of the
distal end portion of the claimed design.

1 Claim, 6 Drawing Sheets



US D667,954 S

Page 2

U.S. PATENT DOCUMENTS

3,357,433 A 12/1967 Fourestier et al.
3,459,189 A 8/1969 Alley et al.
3,556,085 A 1/1971 Takahashi
4,191,191 A 3/1980 Auburn
4,319,563 A 3/1982 Kubota
4,931,042 A * 6/1990 Holmes et al. 604/164.12
D320,081 S * 9/1991 Johnson D24/145
5,057,082 A 10/1991 Burchette, Jr.
5,058,603 A 10/1991 Doi et al.
5,066,288 A 11/1991 Deniega et al.
5,122,122 A 6/1992 Allgood
5,147,376 A 9/1992 Pianetti et al.
5,159,920 A 11/1992 Condon et al.
D340,284 S * 10/1993 Johnson D24/145
5,256,149 A 10/1993 Banik et al.
5,271,380 A 12/1993 Riek et al.
5,290,276 A 3/1994 Sewell, Jr.
5,330,437 A 7/1994 Durman
5,334,150 A 8/1994 Kaali
5,376,076 A 12/1994 Kaali
5,380,291 A 1/1995 Kaali
5,385,572 A 1/1995 Nobles et al.
5,391,153 A 2/1995 Haber et al.
5,405,328 A 4/1995 Vidal et al.
5,431,151 A 7/1995 Riek et al.
5,441,041 A 8/1995 Sauer et al.
5,445,142 A 8/1995 Hassler, Jr.
D362,066 S * 9/1995 Petruschke et al. D24/146
5,467,762 A 11/1995 Sauer et al.
5,545,150 A 8/1996 Danks et al.
5,551,947 A 9/1996 Kaali
5,562,696 A 10/1996 Nobles et al.
5,569,160 A 10/1996 Sauer et al.
5,569,291 A 10/1996 Privitera et al.
5,569,292 A 10/1996 Scwemberger et al.
5,591,192 A 1/1997 Privitera et al.
5,607,440 A 3/1997 Danks et al.
5,607,441 A 3/1997 Sierocuk et al.
5,609,562 A 3/1997 Kaali
5,624,459 A 4/1997 Kortenbach et al.
5,647,840 A 7/1997 D'Amelio et al.
5,658,236 A 8/1997 Sauer et al.
5,674,184 A 10/1997 Hassler, Jr.
5,685,820 A 11/1997 Riek et al.
5,690,664 A 11/1997 Sauer et al.
5,697,913 A 12/1997 Sierocuk et al.
5,707,382 A 1/1998 Sierocuk et al.
5,720,761 A 2/1998 Kaali
5,738,628 A 4/1998 Sierocuk et al.
5,779,728 A 7/1998 Lunsford et al.
5,797,943 A 8/1998 Danks et al.
5,797,944 A 8/1998 Nobles et al.
5,800,451 A 9/1998 Buess et al.
5,817,061 A 10/1998 Goodwin et al.
5,817,062 A 10/1998 Flom et al.
5,860,996 A 1/1999 Urban et al.
5,951,464 A 9/1999 Takahashi et al.
5,976,168 A 11/1999 Chin

5,989,228 A 11/1999 Danks et al.
6,007,481 A 12/1999 Riek et al.
6,017,356 A 1/2000 Frederick et al.
6,063,099 A 5/2000 Danks et al.
6,206,823 B1 3/2001 Kolata et al.
D443,360 S 6/2001 Haberland
6,277,137 B1 8/2001 Chin
6,283,948 B1 9/2001 McKernan et al.
6,439,541 B1 8/2002 Nosel et al.
6,471,638 B1 10/2002 Chang et al.
6,478,806 B2 11/2002 McFarlane
6,544,277 B1 * 4/2003 O'Heeron et al. 606/185
6,613,063 B1 9/2003 Hunsberger
6,685,630 B2 2/2004 Sauer et al.
6,692,467 B2 2/2004 McFarlane
6,830,578 B2 12/2004 O'Heeron et al.
6,835,201 B2 12/2004 O'Heeron et al.
6,863,674 B2 3/2005 Kasahara et al.
6,884,253 B1 4/2005 McFarlane
6,908,454 B2 6/2005 McFarlane
6,918,871 B2 7/2005 Schulze
6,939,296 B2 9/2005 Ewers et al.
6,960,164 B2 11/2005 O'Heeron
D531,726 S * 11/2006 Blanco et al. D24/146
D589,617 S * 3/2009 Carter D24/146
D596,742 S * 7/2009 McNeil D24/146
2002/0013597 A1 1/2002 McFarlane
2002/0143236 A1 10/2002 Sauer et al.
2004/0158126 A1 8/2004 Sauer et al.
2005/0033304 A1 * 2/2005 O'Heeron 606/85
2005/0075605 A1 4/2005 Lyon
2005/0107815 A1 5/2005 McFarlane
2005/0107816 A1 * 5/2005 Pingleton et al. 606/185
2005/0251190 A1 11/2005 McFarlane
2005/0261717 A1 11/2005 Sauer et al.
2008/0086160 A1 * 4/2008 Mastri et al. 606/185

FOREIGN PATENT DOCUMENTS

DE 2847561 A1 5/1980
DE 4133073 A1 4/1992
EP 0484725 B1 5/1992
EP 0577400 B1 1/1994
EP 0664992 B1 8/1995
EP 1685792 A1 8/2006
EP 1707132 B1 10/2006
GB 2173312 A 10/1986
WO WO-9411040 A1 5/1994

OTHER PUBLICATIONS

International Preliminary Report on Patentability for PCT/US2007/021387 dated Apr. 7, 2009 together with the Written Opinion of the International Searching Authority (ISA) (10 pages).
International Search Report dated Jul. 30, 2008 for PCT/US2007/021387 (6 pages).
Office Action dated Nov. 10, 2011 for European Patent Application No. 07 839 288.3.

* cited by examiner

Fig. 1

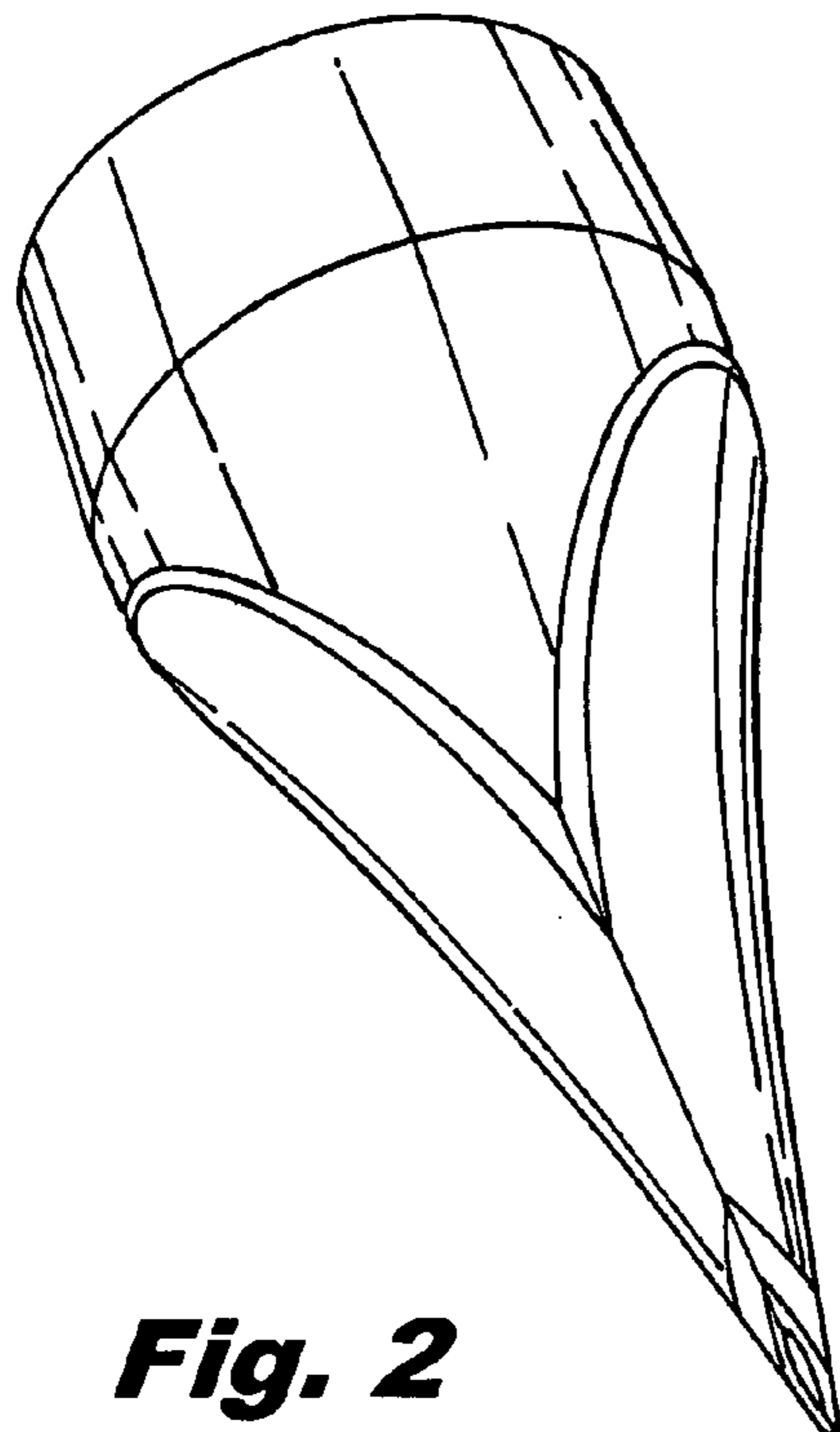
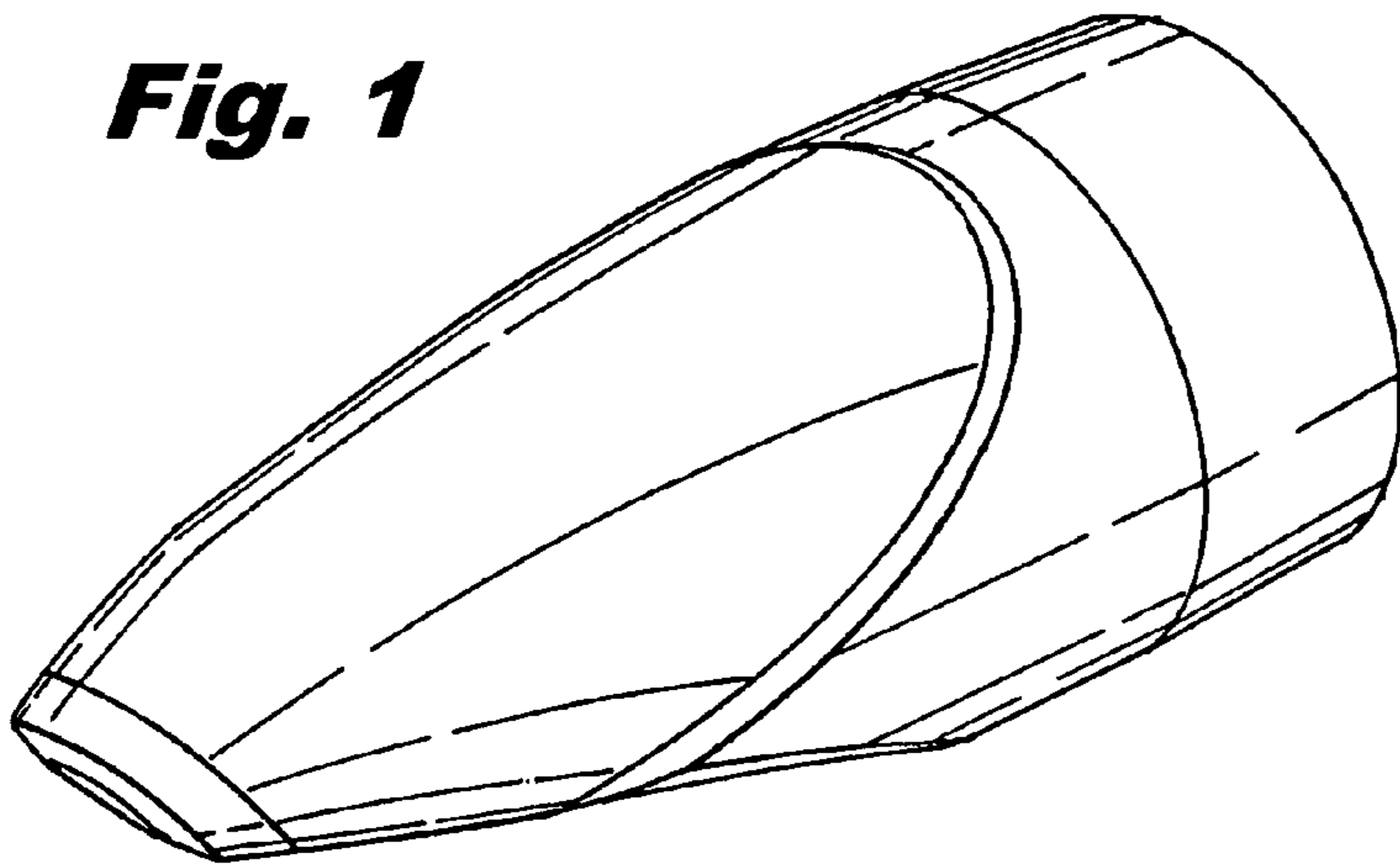
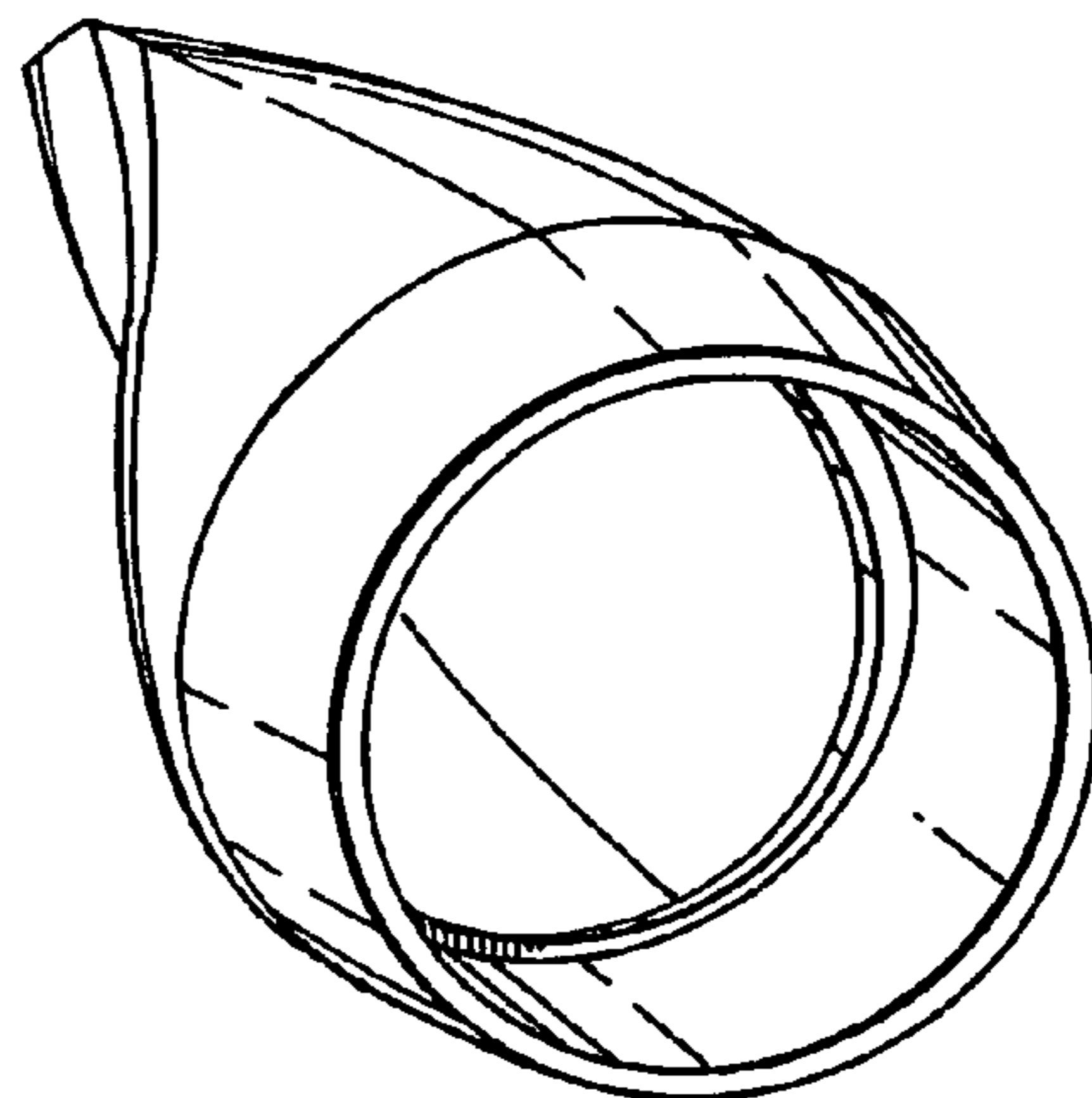


Fig. 2

Fig. 3



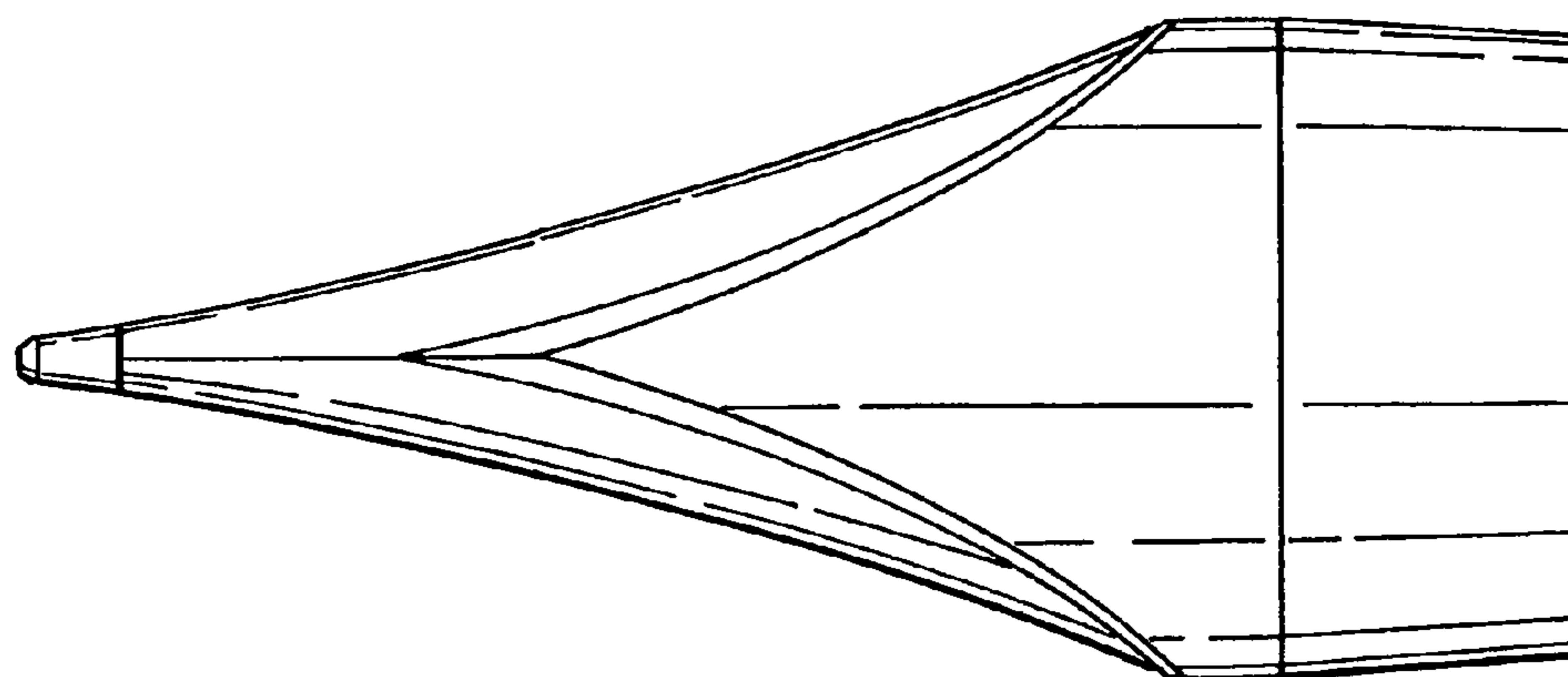


Fig. 4

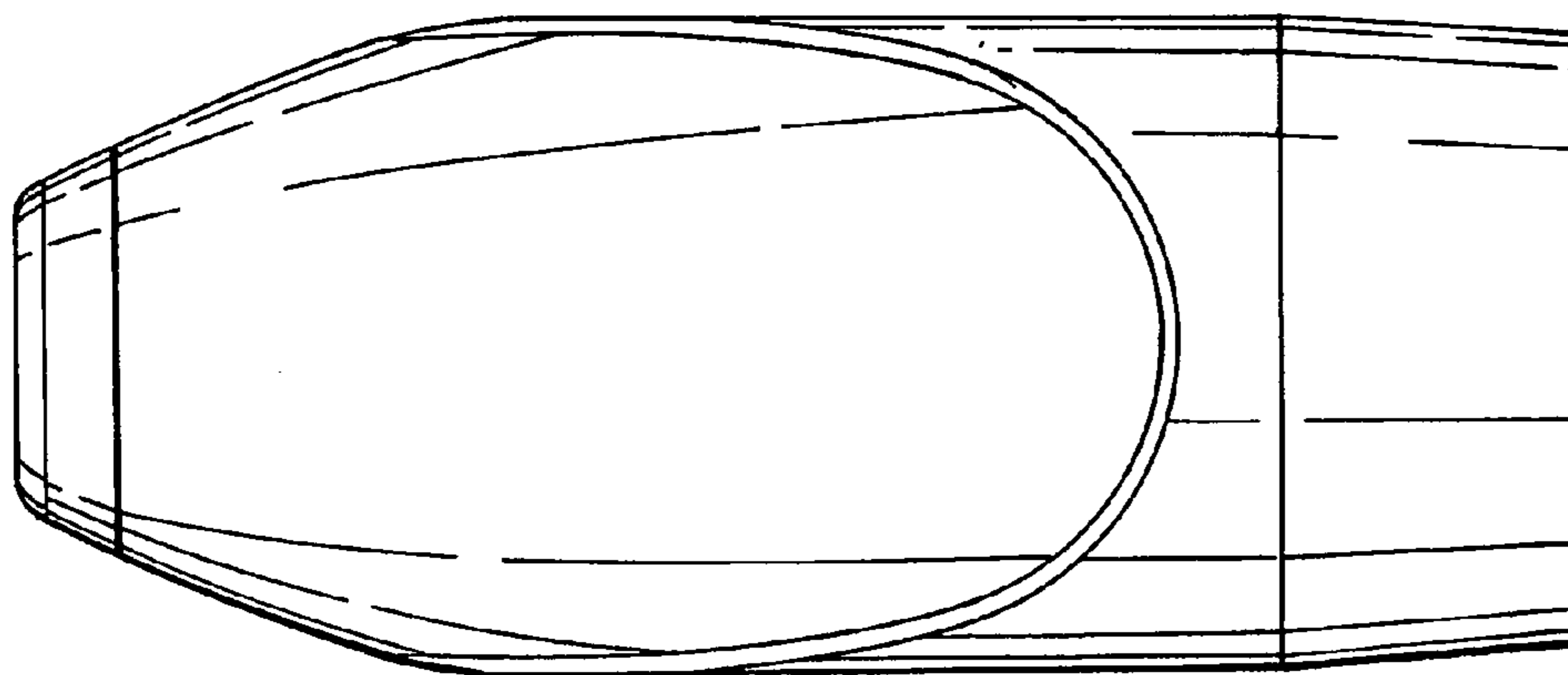


Fig. 5

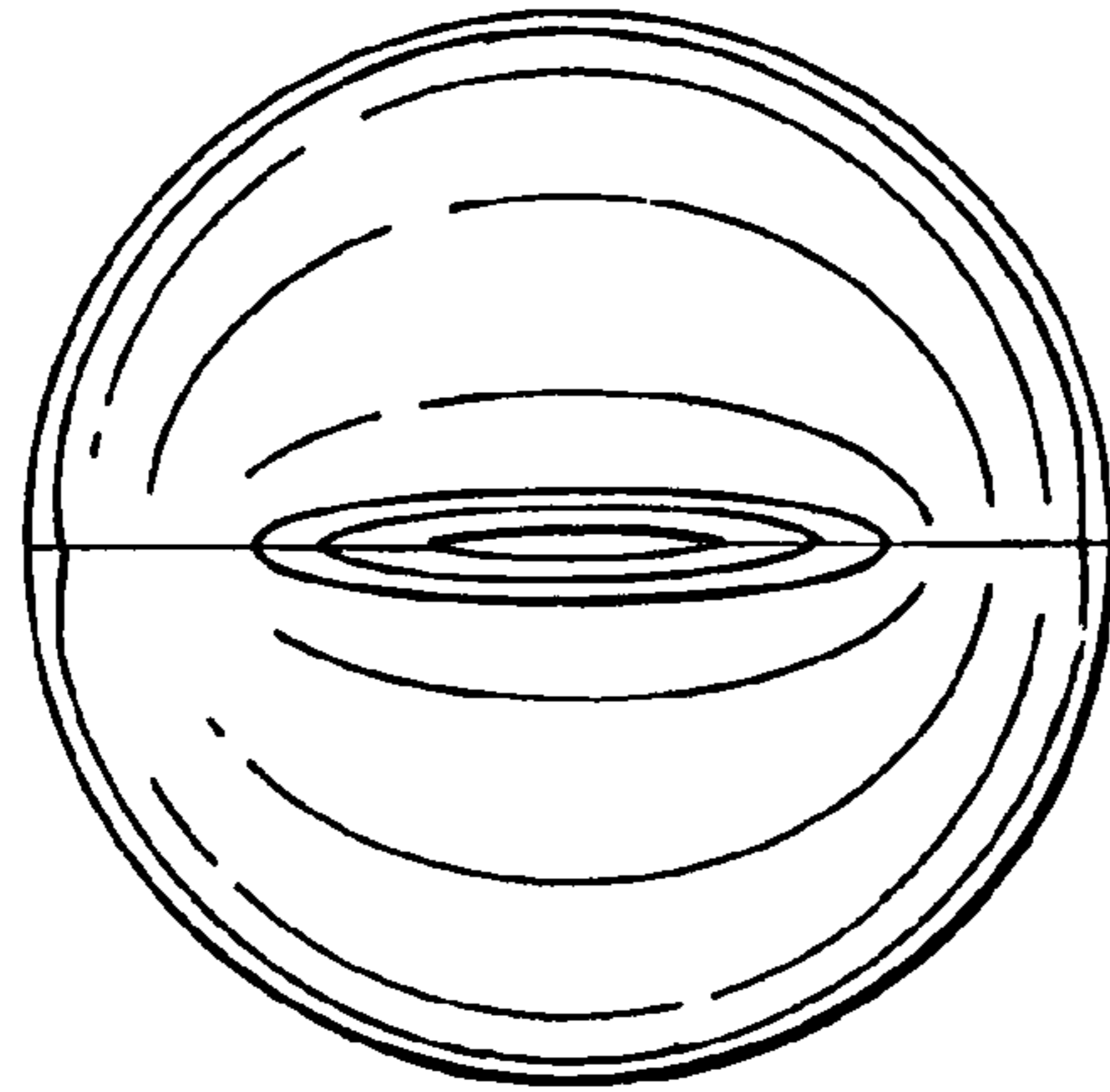


Fig. 6

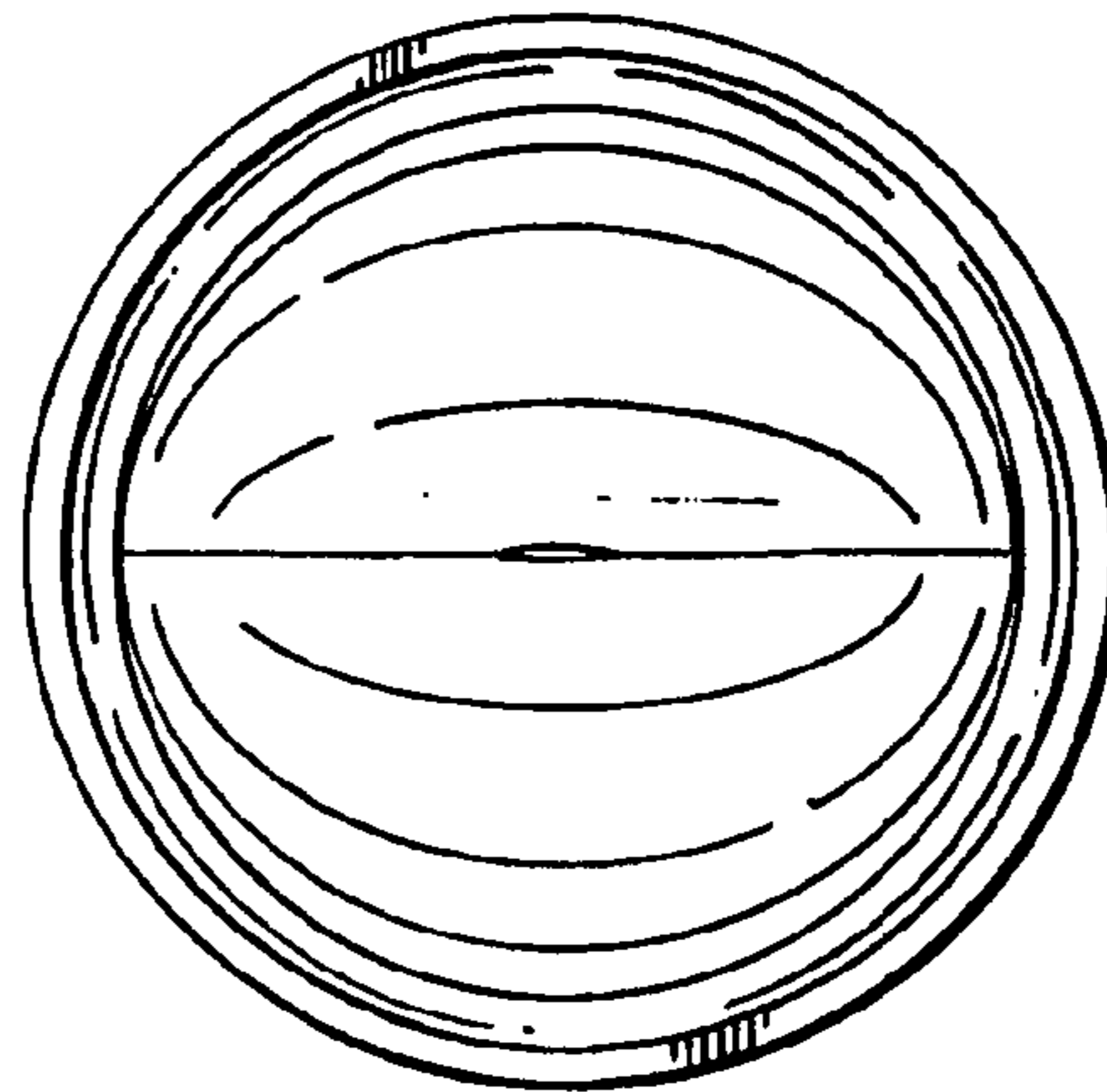


Fig. 7

Fig. 8

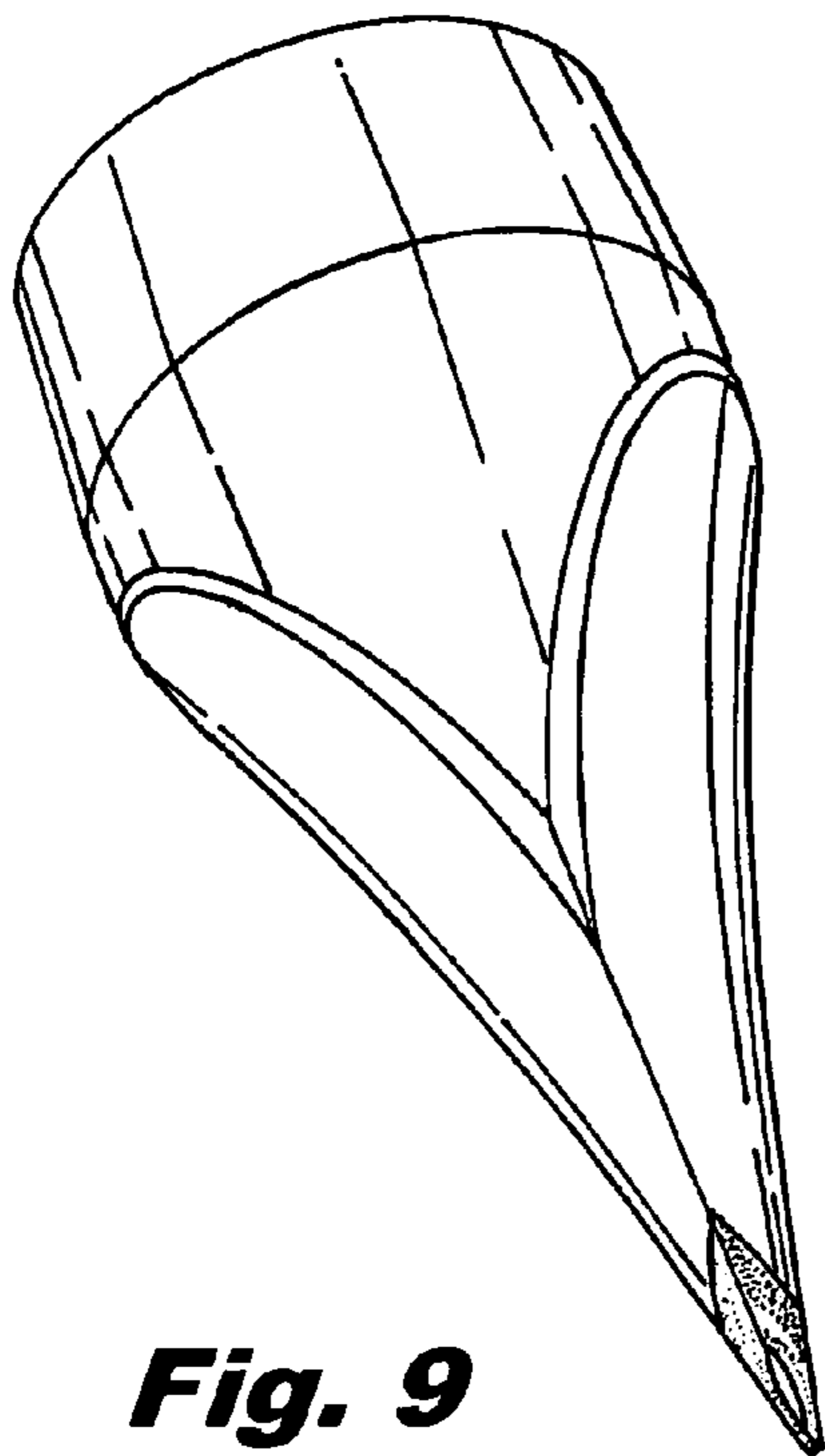
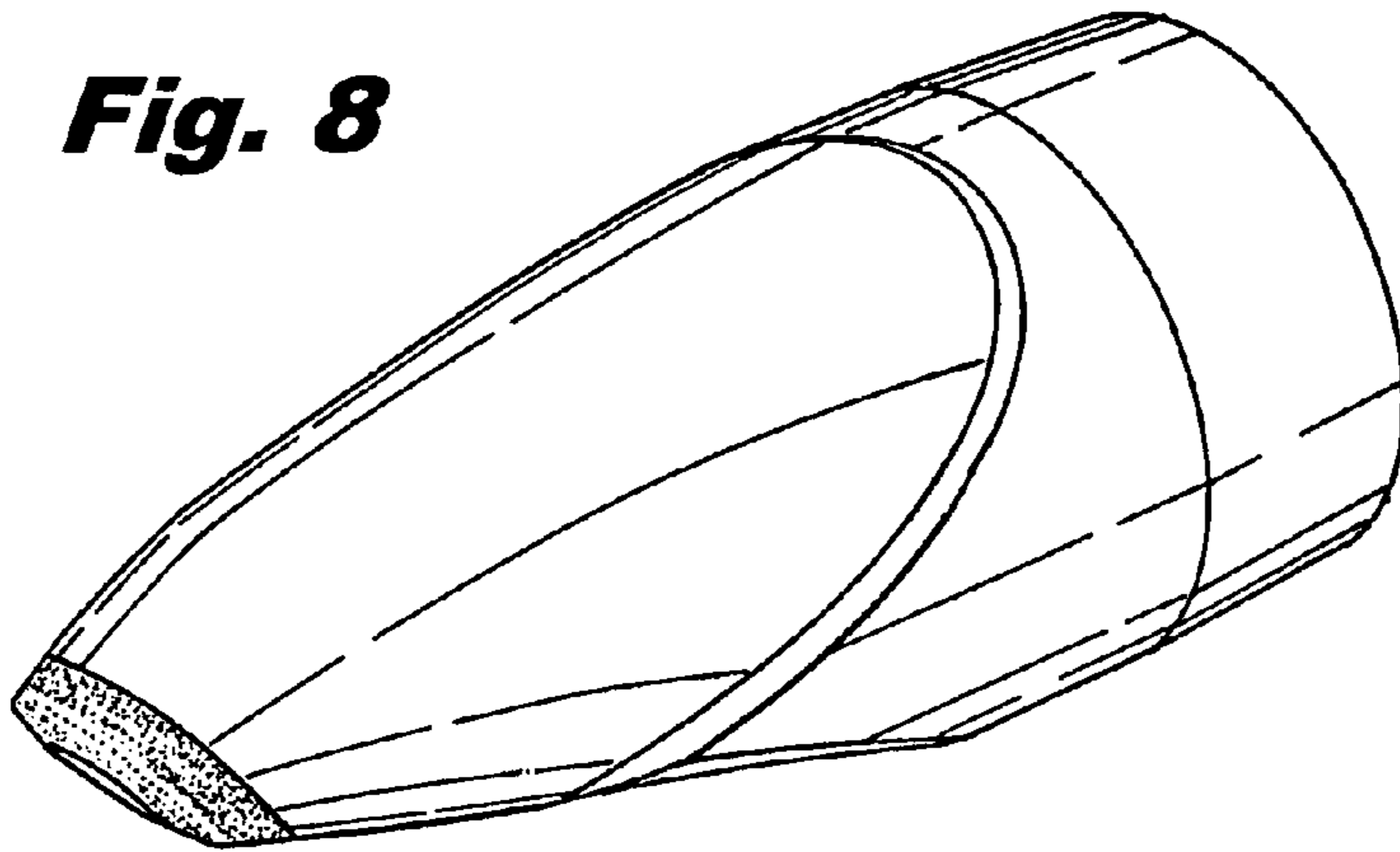
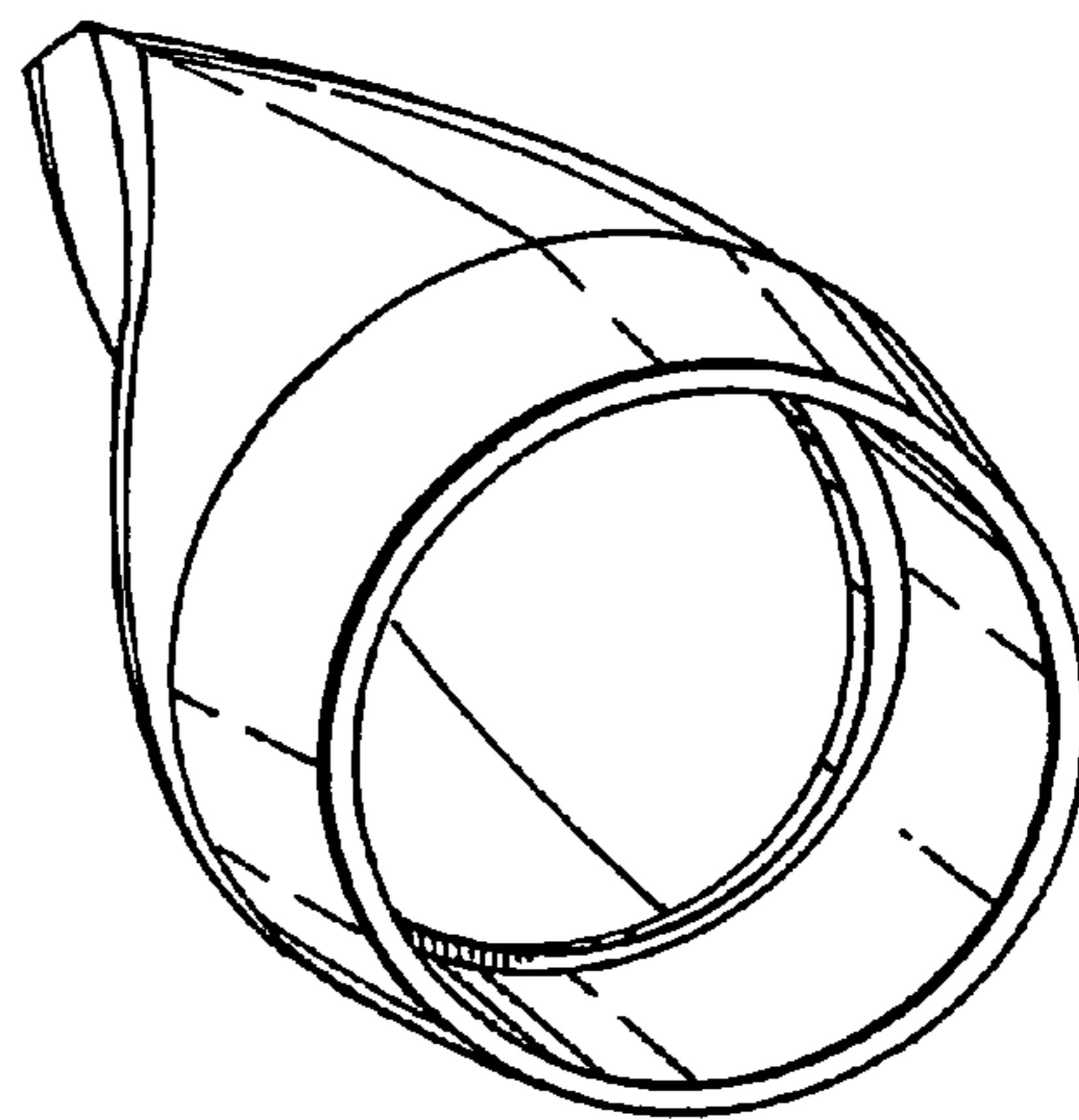


Fig. 9

Fig. 10



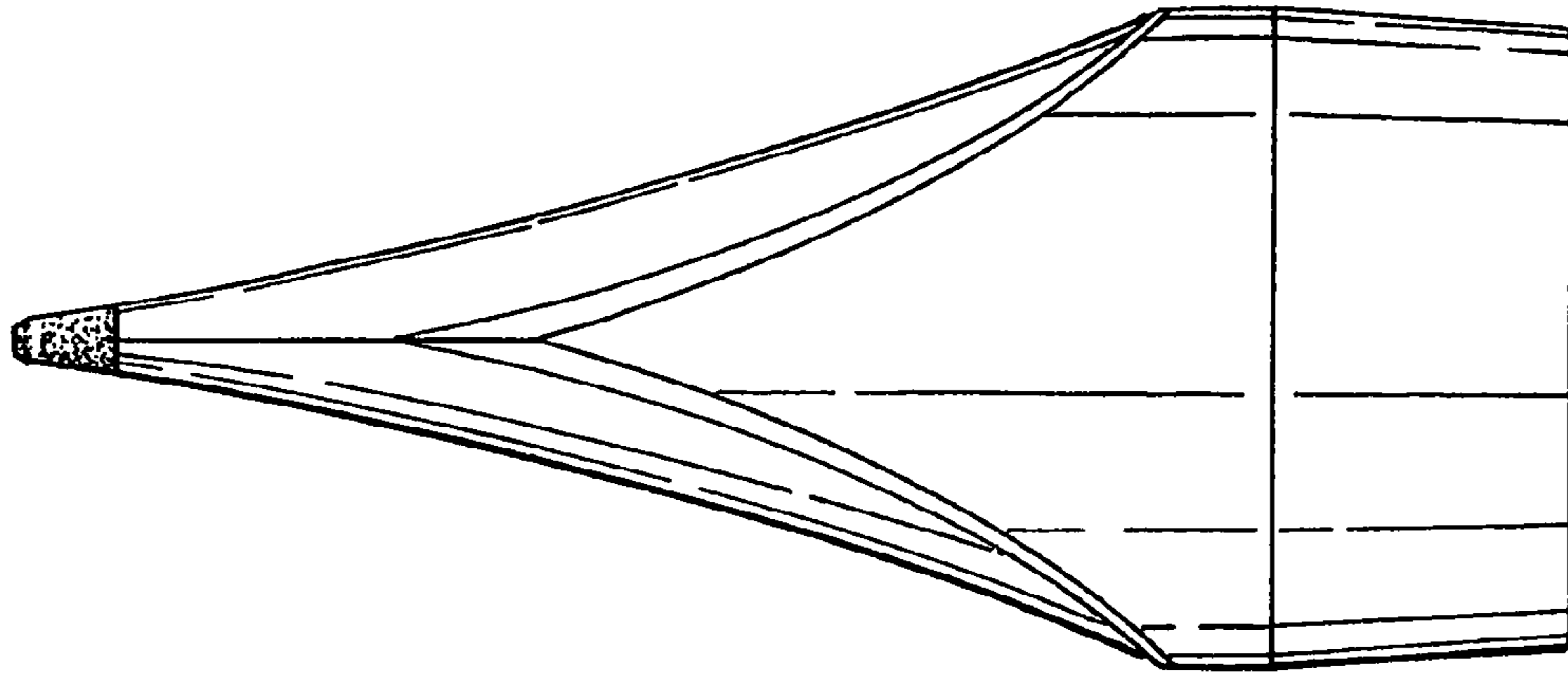


Fig. 11

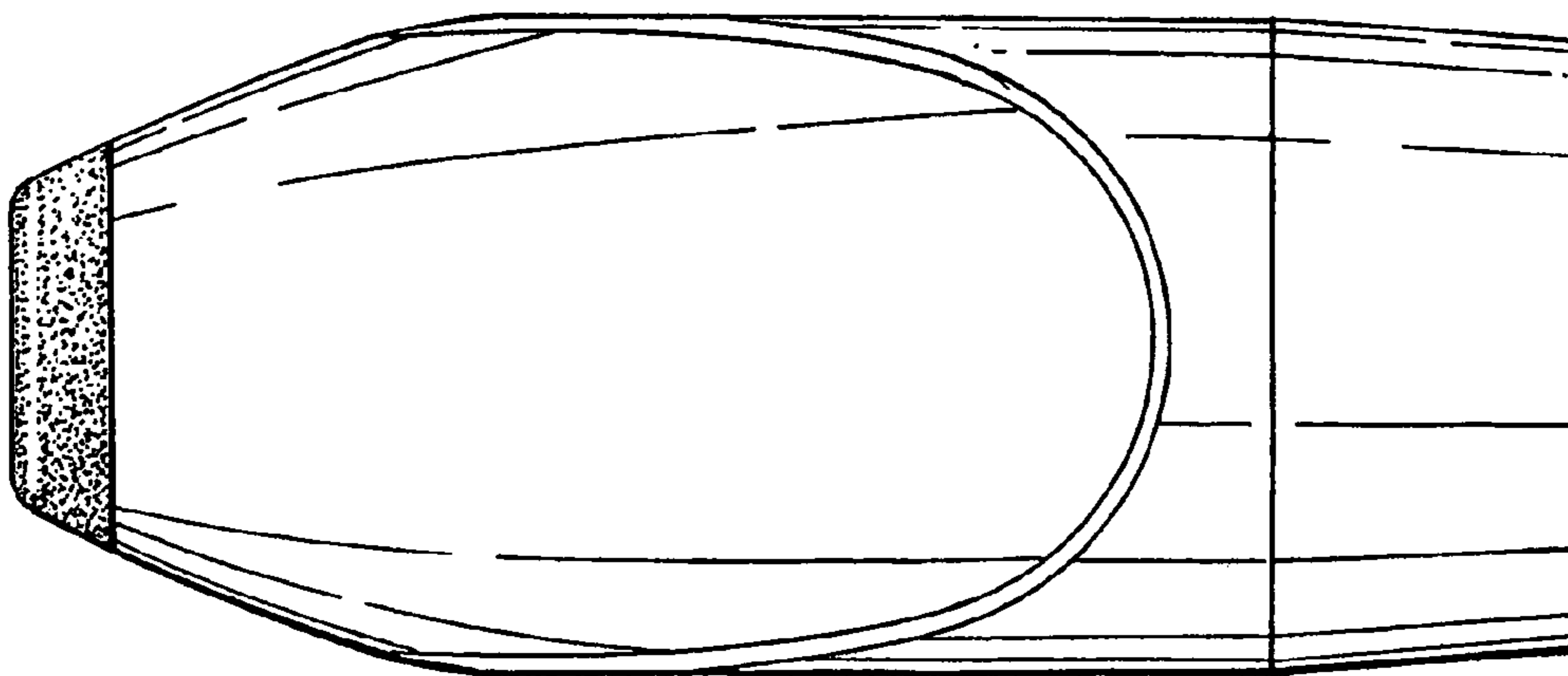


Fig. 12

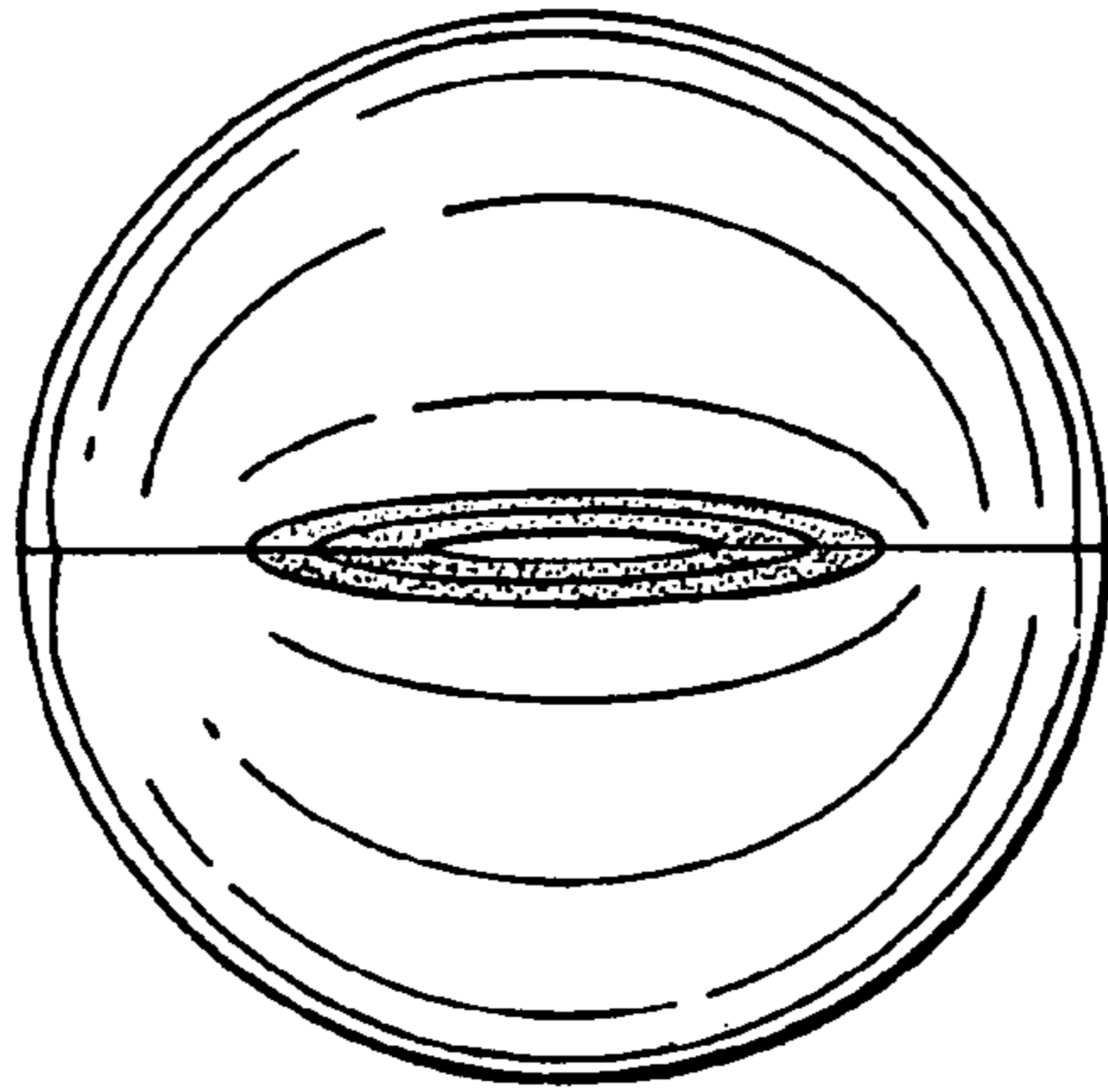


Fig. 13

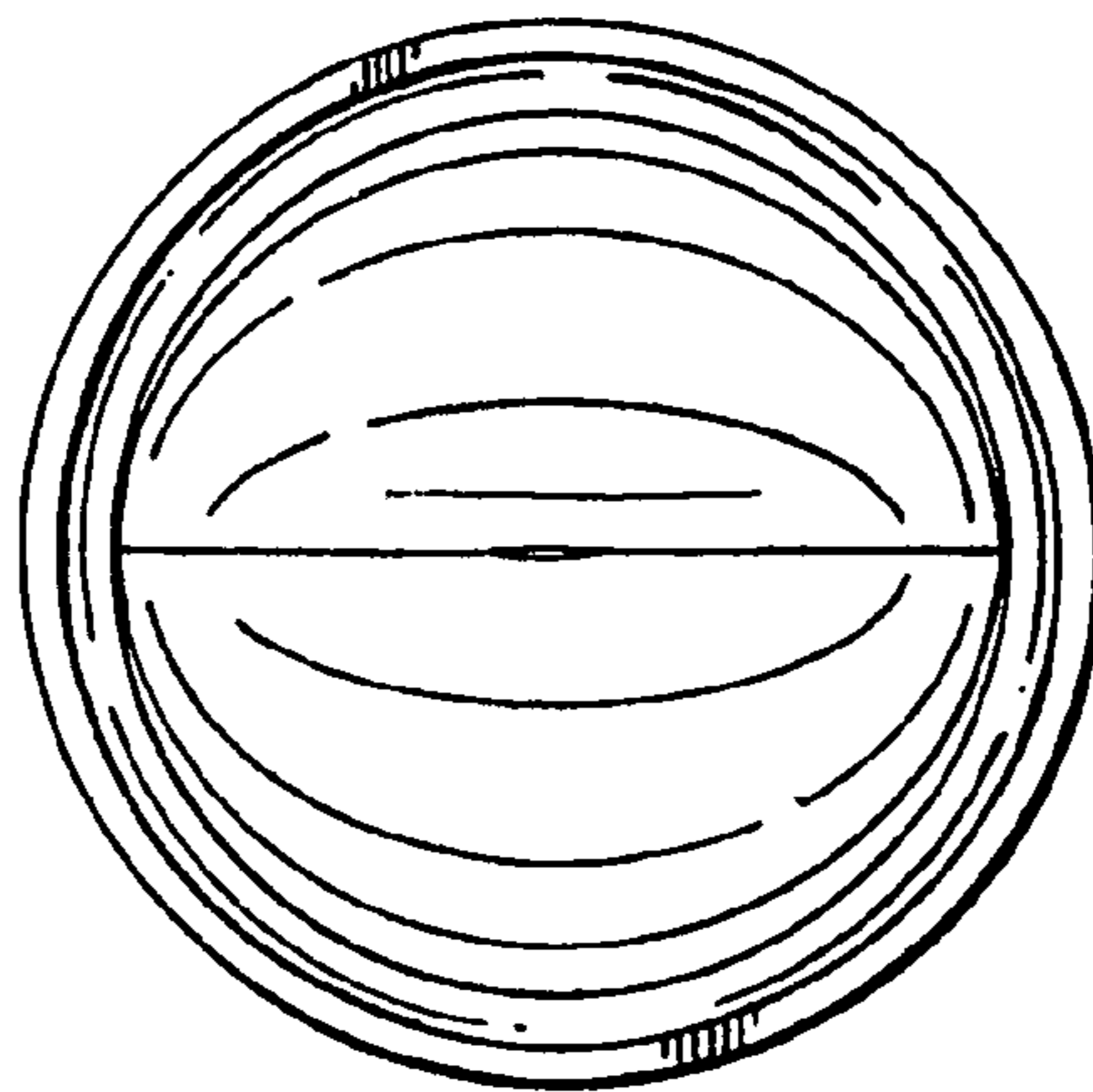


Fig. 14