



US00D667953S

(12) **United States Design Patent**
Wright et al.

(10) **Patent No.:** **US D667,953 S**

(45) **Date of Patent:** **** Sep. 25, 2012**

(54) **COMBINATION PATELLA DRILL GUIDE AND CLAMP**

(75) Inventors: **Abraham Wright**, Warsaw, IN (US);
Olen Borkholder, Milford, IN (US);
Kent Whitton, Warsaw, IN (US)

(73) Assignee: **DePuy Products, Inc.**, Warsaw, IN (US)

(**) Term: **14 Years**

(21) Appl. No.: **29/396,514**

(22) Filed: **Jun. 30, 2011**

(51) **LOC (9) Cl.** **24-02**

(52) **U.S. Cl.** **D24/140**

(58) **Field of Classification Search** D24/133,
D24/140, 143, 144, 145, 146, 147; 606/86 R,
606/87, 88, 89, 96, 324

See application file for complete search history.

(56) **References Cited**

U.S. PATENT DOCUMENTS

3,835,849	A *	9/1974	McGuire	606/96
D260,927	S *	9/1981	Glenn	D24/140
D281,622	S *	12/1985	Diamond	D24/139
4,565,192	A	1/1986	Shapiro		
4,633,862	A	1/1987	Petersen		
5,108,401	A	4/1992	Insall et al.		
5,147,365	A	9/1992	Whitlock et al.		
5,250,050	A	10/1993	Poggie et al.		
5,284,482	A *	2/1994	Mikhail	606/86 R
5,382,254	A	1/1995	McGarry et al.		
5,470,328	A	11/1995	Furnish et al.		
5,484,451	A	1/1996	Akopov et al.		
D367,531	S *	2/1996	Price et al.	D24/143
5,520,692	A	5/1996	Ferrante		
5,542,947	A	8/1996	Treacy		
D373,635	S *	9/1996	Price et al.	D24/140
5,582,615	A	12/1996	Foshee et al.		
5,611,802	A	3/1997	Samuelson et al.		
5,626,607	A	5/1997	Malecki et al.		
5,667,512	A	9/1997	Johnson		
5,827,279	A	10/1998	Hughett et al.		
5,941,884	A *	8/1999	Corvelli et al.	606/88

5,968,051	A *	10/1999	Luckman et al.	606/88
6,010,509	A	1/2000	Delgado et al.		
6,205,884	B1	3/2001	Foley et al.		
D459,474	S	6/2002	Bratt et al.		
6,419,675	B1	7/2002	Gallo, Sr.		
D463,550	S *	9/2002	Sherman	D24/127

(Continued)

OTHER PUBLICATIONS

P.F.C. Sigma Rotating Platform Knee System with M.B.T Tray, Primary Procedure with a Curved or Posterior Stabilised Implant, 2003, 43 pages.

(Continued)

Primary Examiner — Bridget L Eland

(74) *Attorney, Agent, or Firm* — Barnes & Thornburg LLP

(57) **CLAIM**

We claim the ornamental design for a combination patella drill guide and clamp, as shown and described.

DESCRIPTION

FIG. 1 is a front perspective view of a design of a combination patella drill guide and clamp;

FIG. 2 is a front elevation view of the combination patella drill guide and clamp of FIG. 1 shown removed from its environment in order to show aspects of the design that are not apparent in the perspective view;

FIG. 3 is a rear elevation view thereof;

FIG. 4 is a first side elevation view thereof;

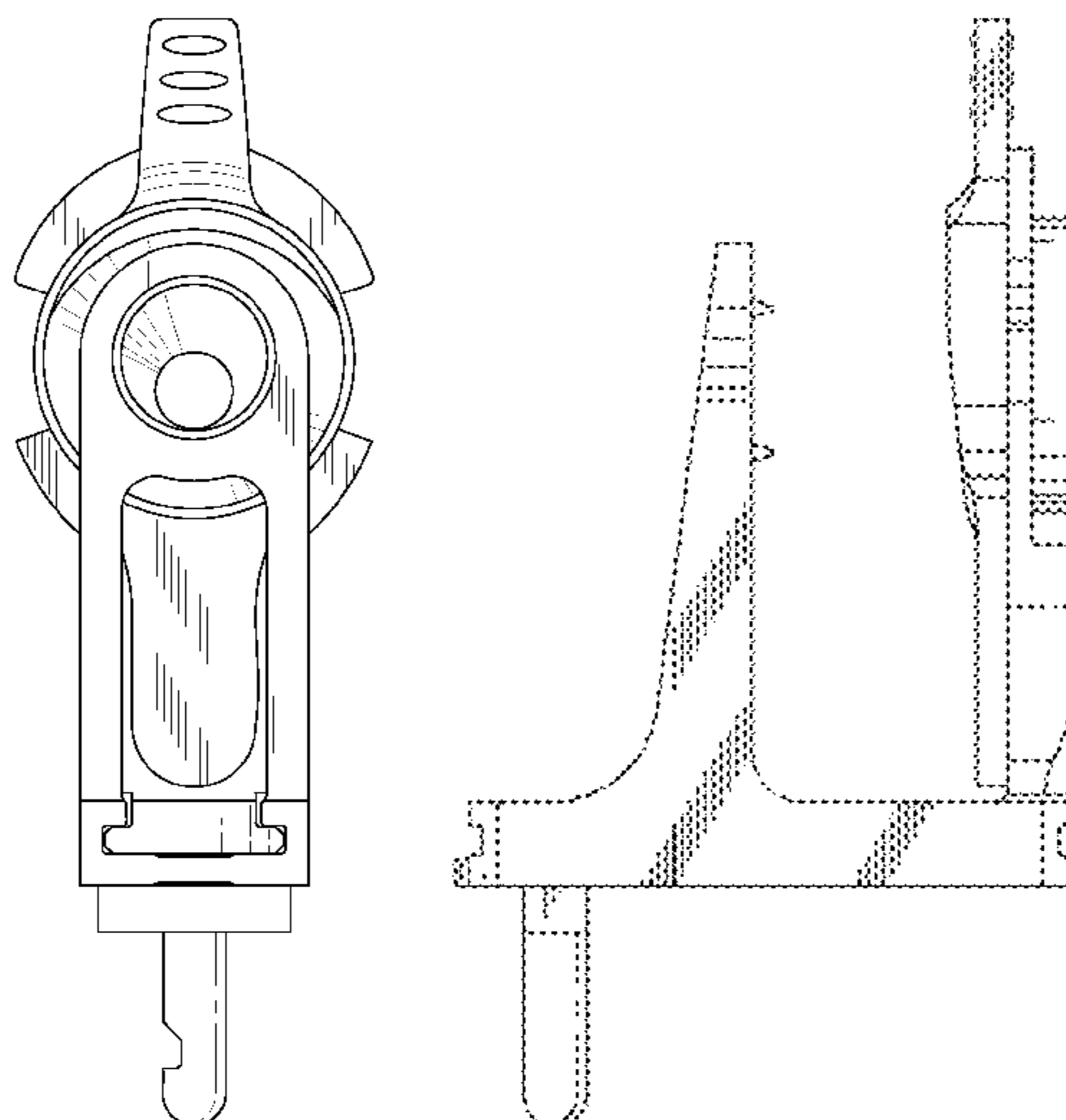
FIG. 5 is a second side elevation view thereof;

FIG. 6 is a bottom plan view thereof; and,

FIG. 7 is a top plan view thereof.

The evenly spaced broken lines shown in the FIG. 3 view, that are immediately adjacent the shaded areas, and define unshaded regions, represent unclaimed boundaries while the evenly spaced broken line showing of the handle in the FIG. 1 view is directed to environment and is for illustrative purposes only; the broken lines form no part of the claimed design.

1 Claim, 5 Drawing Sheets



US D667,953 S

Page 2

U.S. PATENT DOCUMENTS

6,866,667 B2* 3/2005 Wood et al. 606/96
D549,331 S 8/2007 Tomatsu et al.
7,344,540 B2 3/2008 Smucker et al.
7,632,279 B2 12/2009 Bastian
7,780,594 B2 8/2010 Hutton
7,806,899 B2 10/2010 Hogg et al.
7,878,989 B2 2/2011 McMinn
D638,541 S 5/2011 Claypool
D642,678 S 8/2011 Dockstader et al.
D646,389 S 10/2011 Claypool et al.
2002/0115987 A1 8/2002 Hildwein et al.
2005/0240196 A1 10/2005 Davis et al.
2006/0142777 A1* 6/2006 Bastian 606/88
2007/0118141 A1 5/2007 Marchyn et al.
2007/0233142 A1 10/2007 Oliver
2007/0260227 A1 11/2007 Phan

2008/0097450 A1* 4/2008 Brown et al. 606/88
2008/0114366 A1 5/2008 Smucker et al.
2008/0228190 A1 9/2008 Sherry et al.
2009/0264737 A1 10/2009 Haechler et al.
2010/0152742 A1* 6/2010 Nevelos et al. 606/89

OTHER PUBLICATIONS

LCS High Performance Instruments, Surgical Technique, 2008, 44 pages.
Sigma High Performance Instruments, Design Rationale, 2007, 12 pages.
Sigma High Performance Instruments, Classic Surgical Technique, 2010, 52 pages.
European Search Report, European Patent Application No. 11175824.9-2310, Dec. 16, 2011, 8 pages.

* cited by examiner

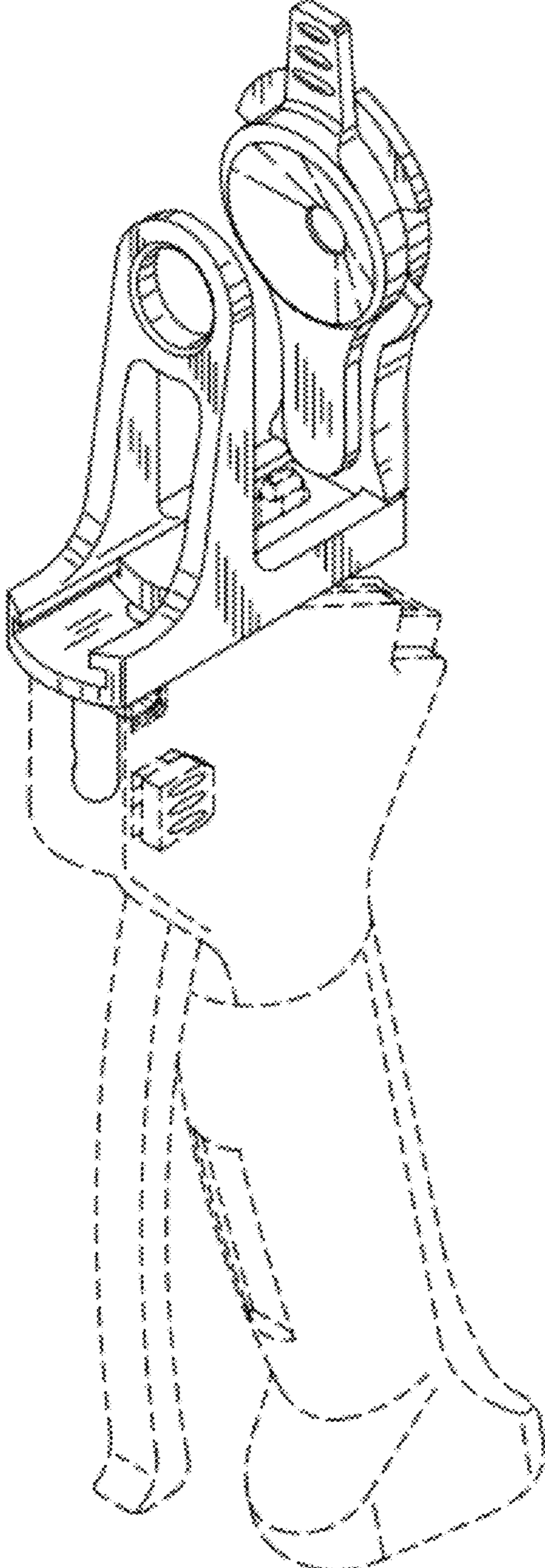


Fig. 1

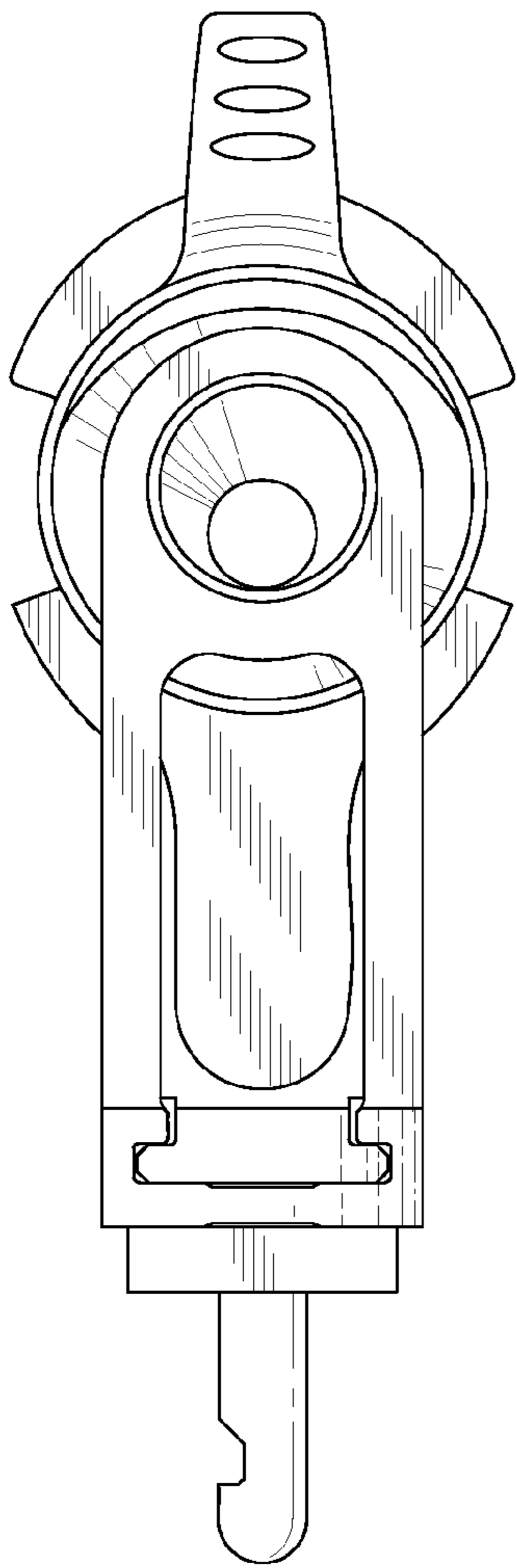


Fig. 2

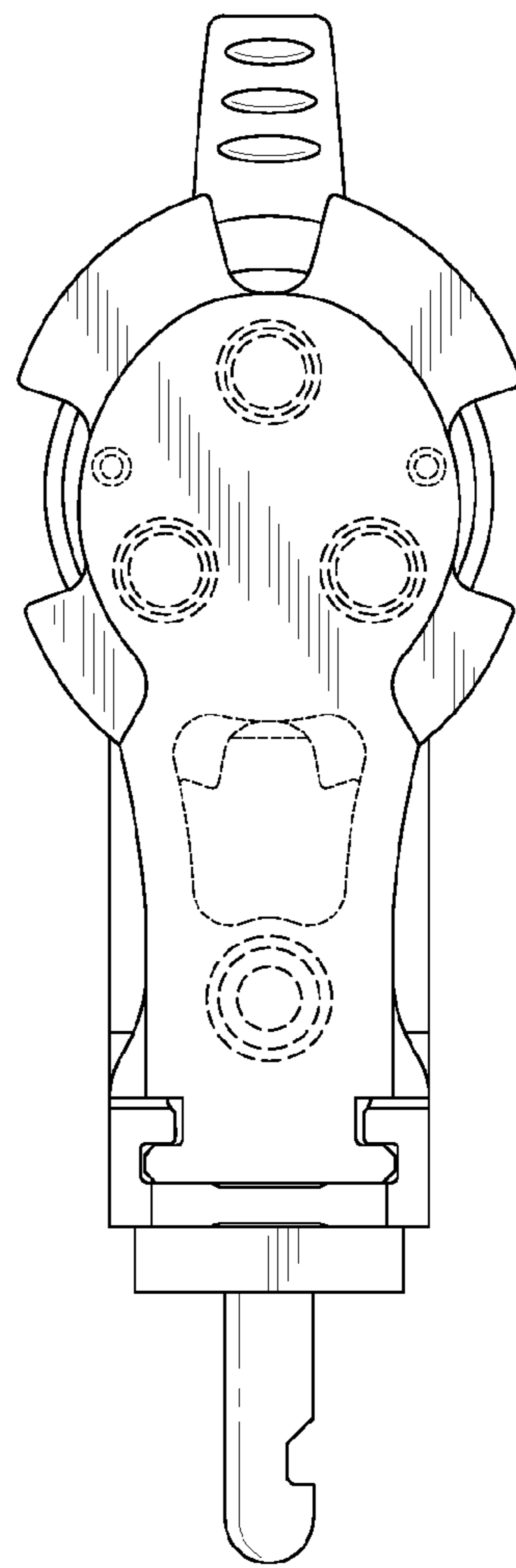


Fig. 3

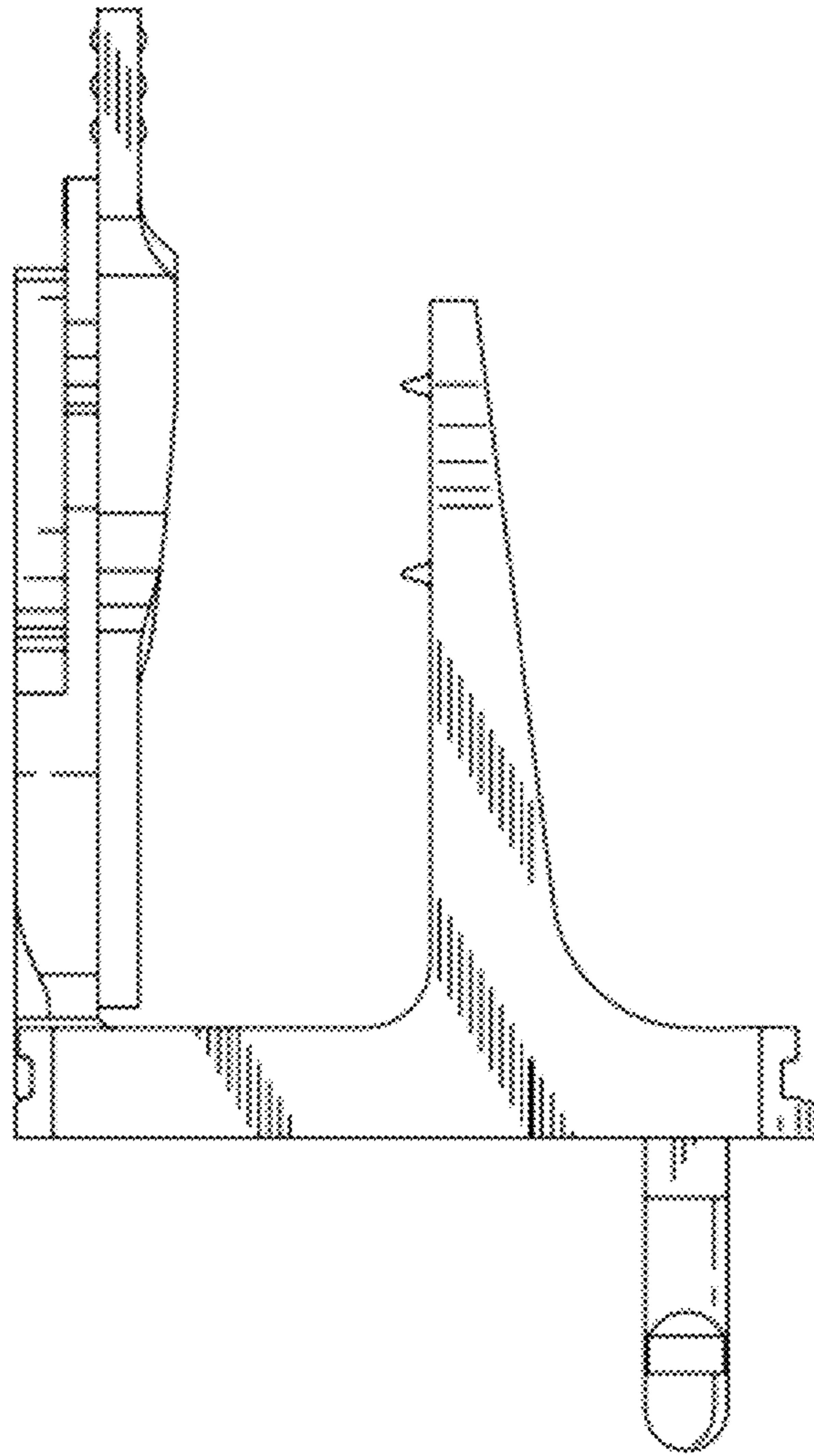


Fig. 4

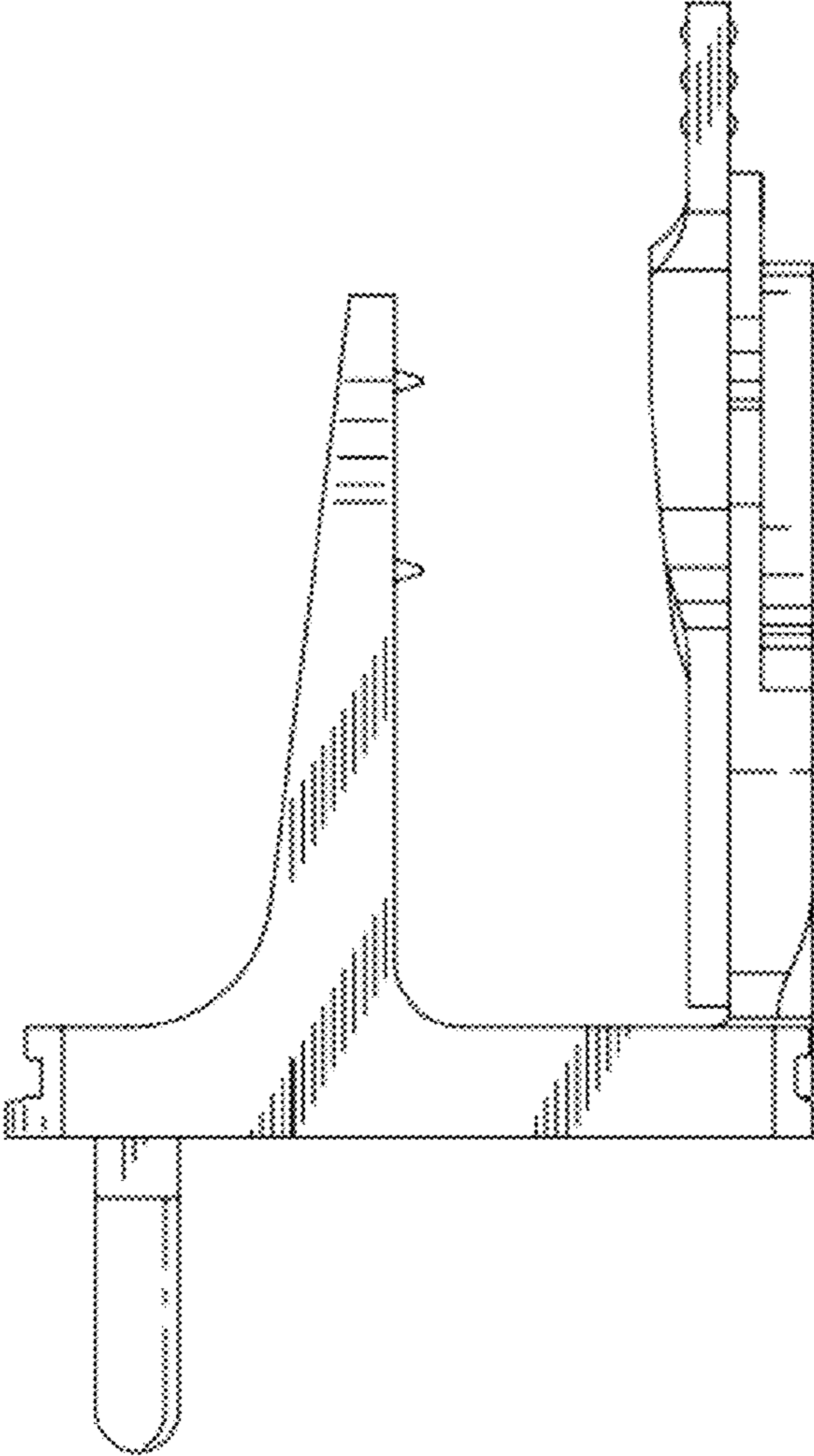


Fig. 5

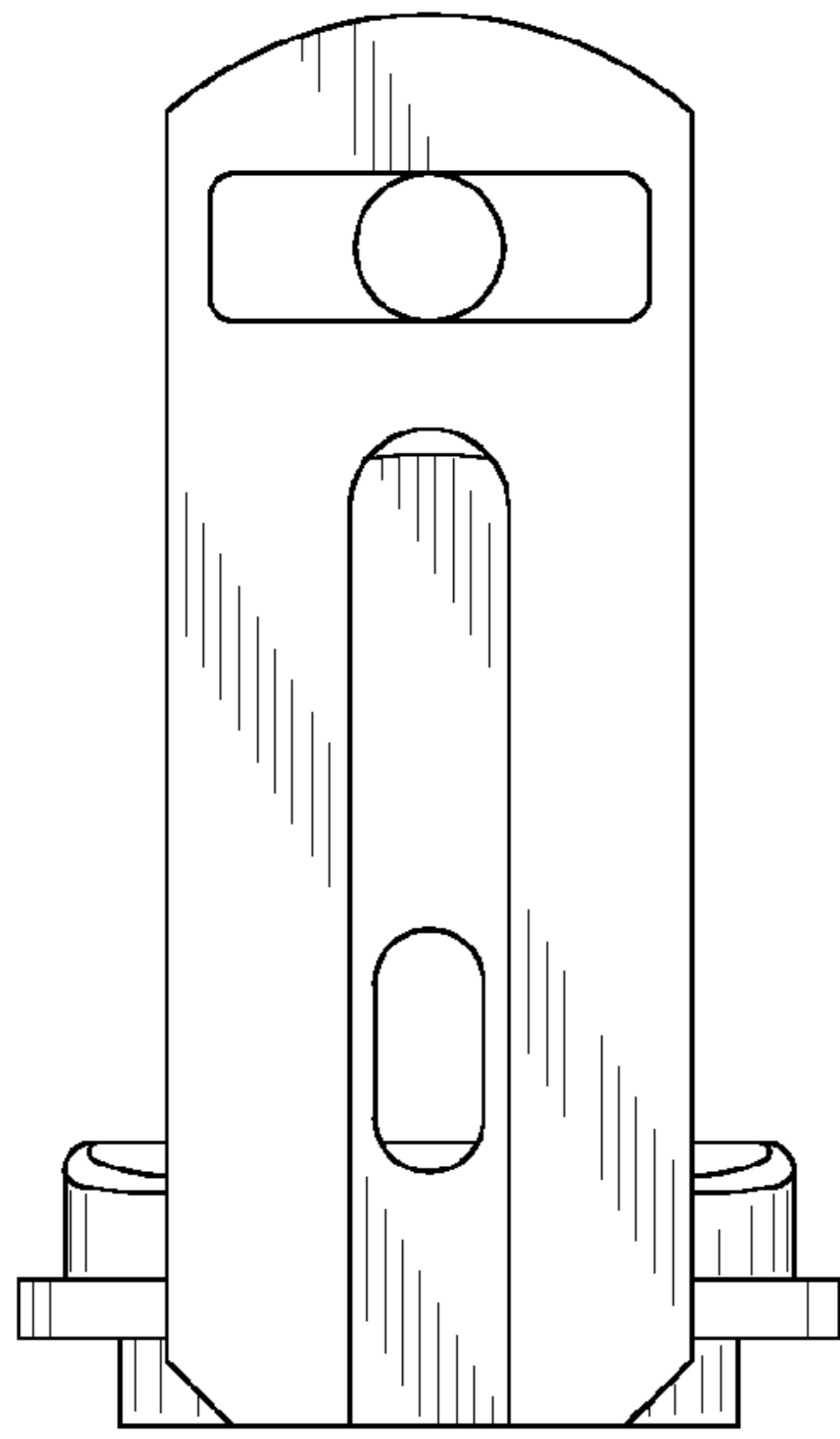


Fig. 6

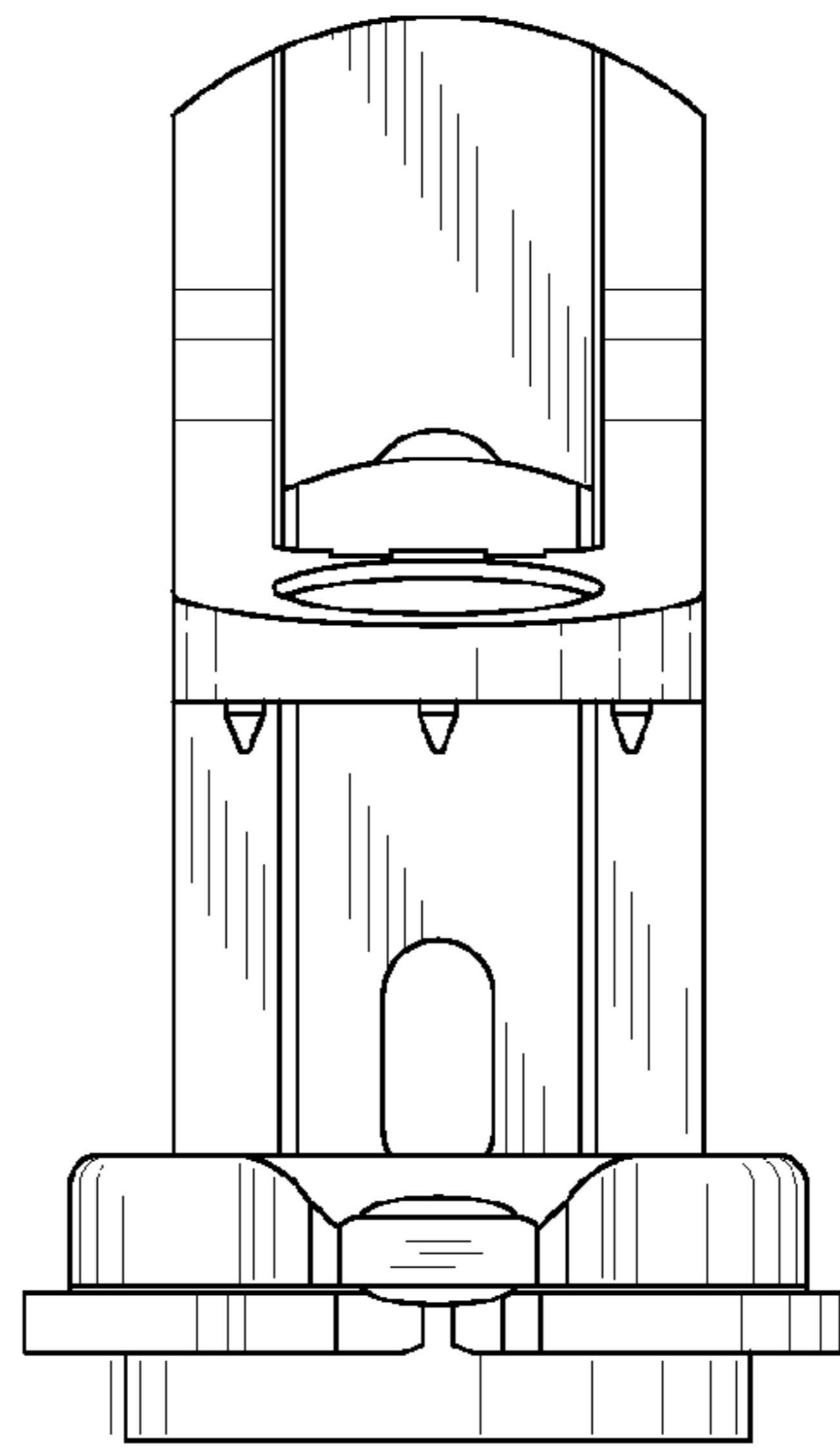


Fig. 7