



US00D667949S

(12) **United States Design Patent**  
**Lechtenberg**

(10) **Patent No.:** **US D667,949 S**

(45) **Date of Patent:** **\*\* Sep. 25, 2012**

(54) **CEILING MOUNT HAVING AN ARM HOLDING A MONITOR AND AN ARM ASSEMBLY FOR HOLDING A SURGICAL MICROSCOPE**

(75) Inventor: **Rolf Lechtenberg**, Ulm (DE)

(73) Assignee: **Carl Zeiss Meditec AG**, Jena (DE)

(\*\*) Term: **14 Years**

(21) Appl. No.: **29/274,388**

(22) Filed: **Apr. 20, 2007**

(30) **Foreign Application Priority Data**

Apr. 2, 2007 (EM) ..... 000700257

(51) **LOC (9) Cl.** ..... **24-02**

(52) **U.S. Cl.** ..... **D24/128; D24/184**

(58) **Field of Classification Search** ..... D24/128,  
D24/184; 248/317, 415, 418, 676; 359/382,  
359/368, 369; D16/131

See application file for complete search history.

(56) **References Cited**

**U.S. PATENT DOCUMENTS**

6,364,268	B1 *	4/2002	Metelski	.....	248/317
2005/0224686	A1 *	10/2005	Bremmon et al.	.....	248/610
2006/0126167	A1 *	6/2006	Piontkowski	.....	359/382
2006/0138288	A1 *	6/2006	Parsons	.....	248/125.7
2007/0161970	A1 *	7/2007	Spohn et al.	.....	604/533

\* cited by examiner

*Primary Examiner* — Joel Sincavage  
*Assistant Examiner* — Eric L Goodman  
(74) *Attorney, Agent, or Firm* — Walter Ottesen

(57) **CLAIM**

The ornamental design for a ceiling mount having an arm holding a monitor and an arm assembly for holding a surgical microscope, as shown and described.

**DESCRIPTION**

FIG. 1 is a side elevation view of the ceiling mount having an arm holding a monitor and an arm assembly for holding a surgical microscope;

FIG. 2 is a side elevation view of said ceiling mount of FIG. 1 with said arm holding the monitor rotated 180° and said arm assembly also rotated 180°;

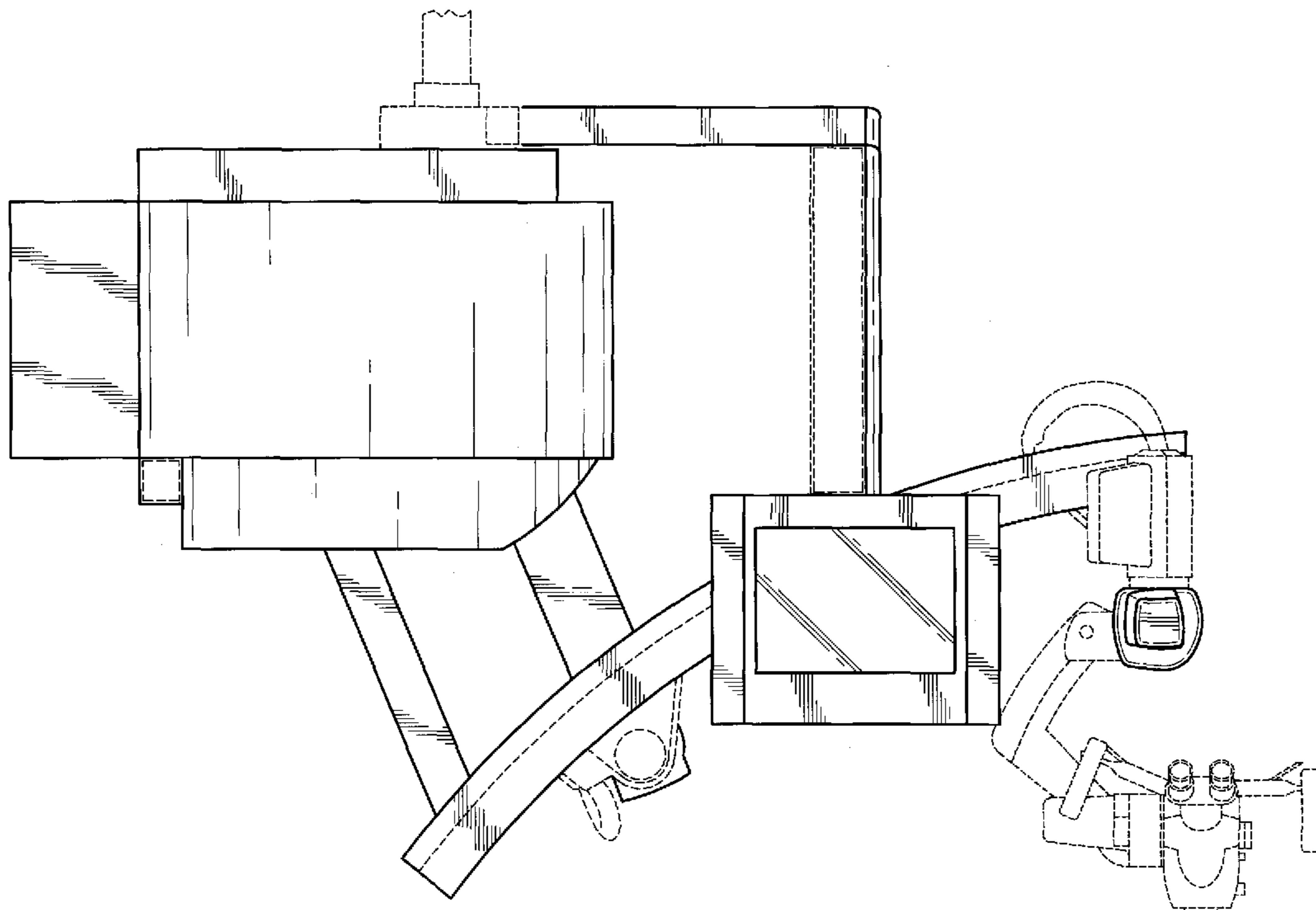
FIG. 3 is a side elevation view of said ceiling mount of FIG. 1 with said monitor rotated 90° on said arm relative thereto and said arm assembly rotated 90° from the position thereof shown in FIG. 1;

FIG. 4 is a side elevation view of said ceiling mount corresponding to FIG. 3 except that said monitor is rotated 90° on said arm relative thereto; and,

FIG. 5 is a bottom plan view of said ceiling mount with said arm holding said monitor and said arm assembly being disposed as shown in FIG. 3.

The surgical microscope and the other elements shown in broken line are for illustrative purposes only and form no part of the claimed design. Areas enclosed by broken lines too do not form part of the claimed design.

**1 Claim, 5 Drawing Sheets**



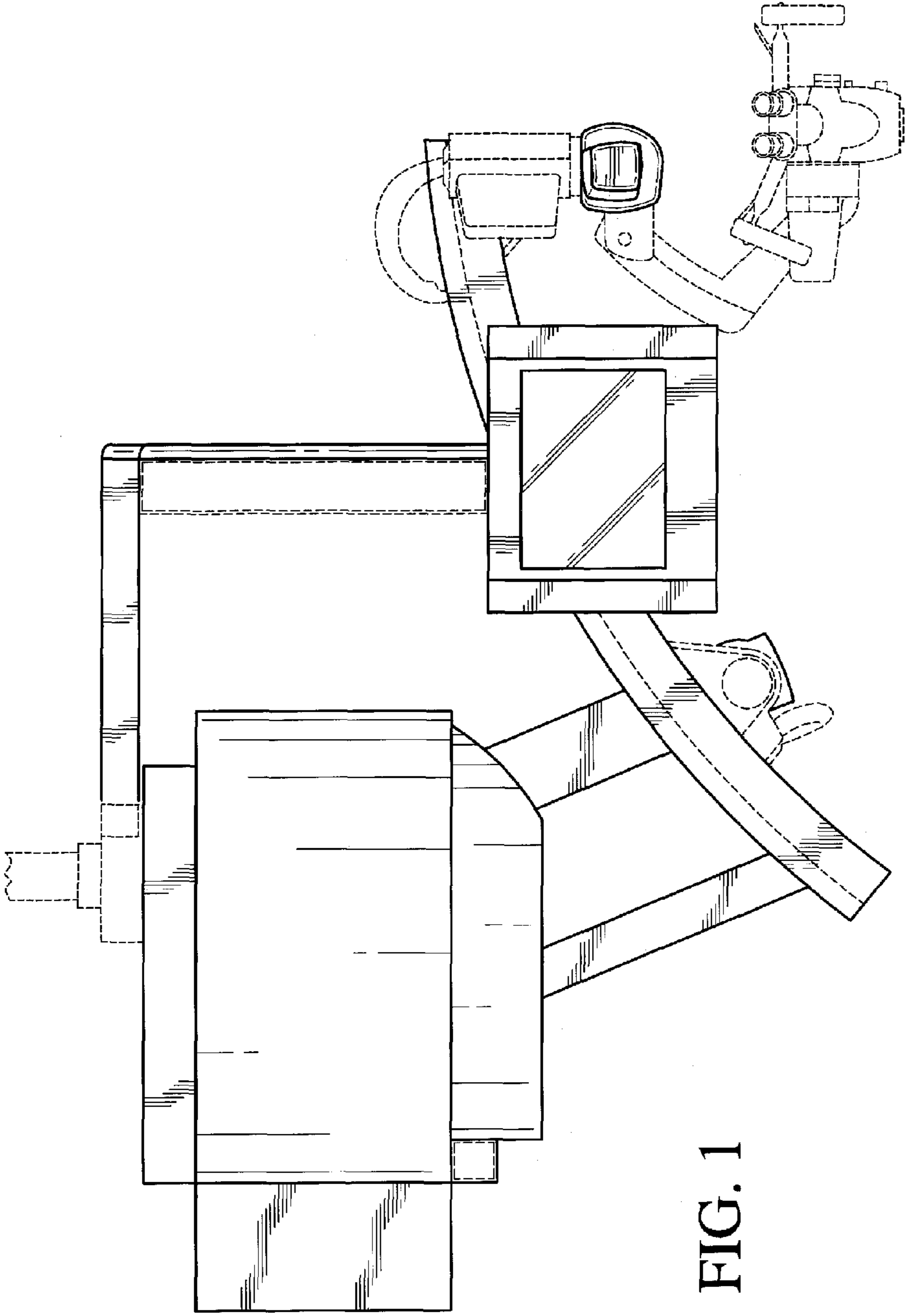


FIG. 1

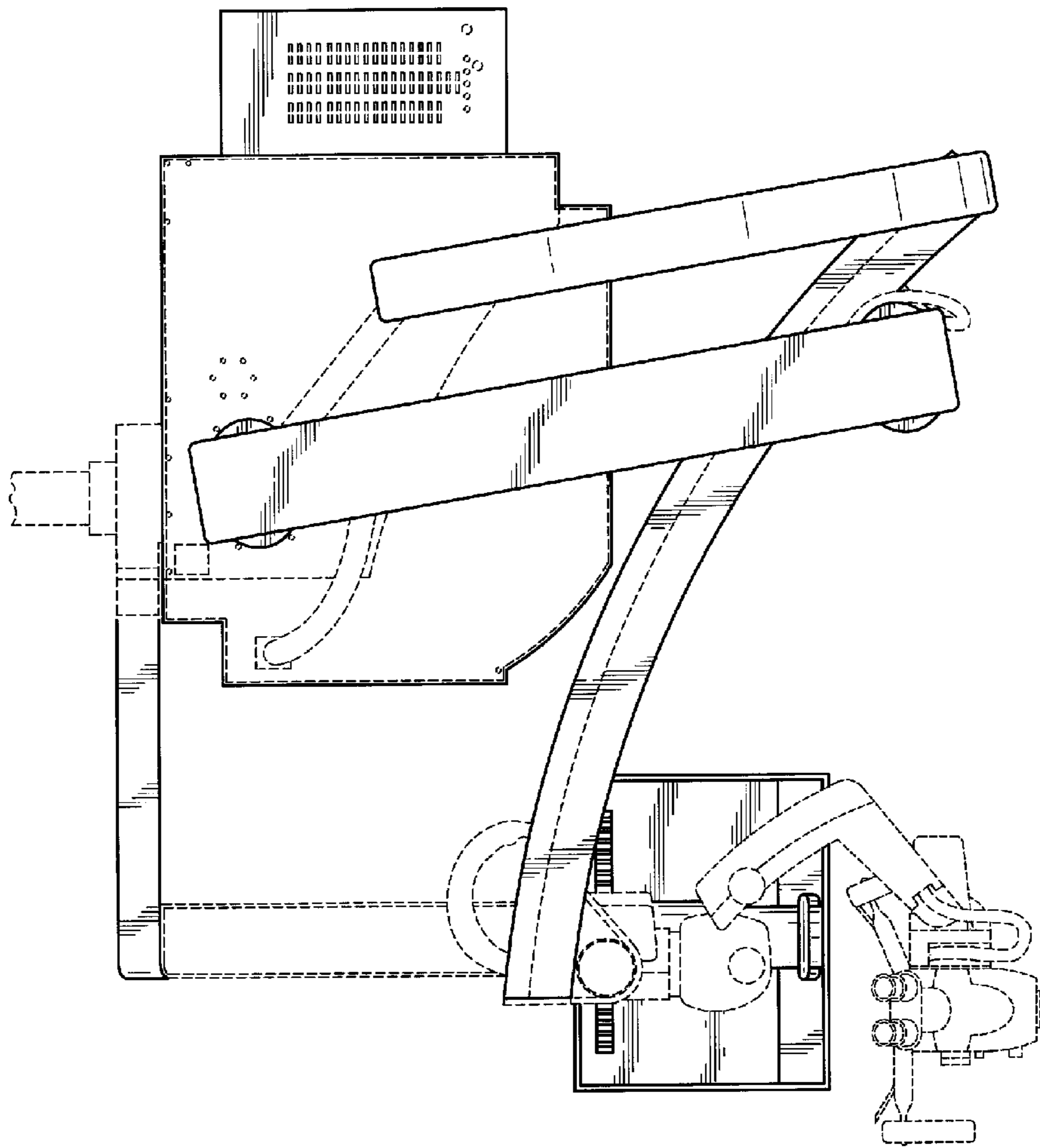


FIG. 2

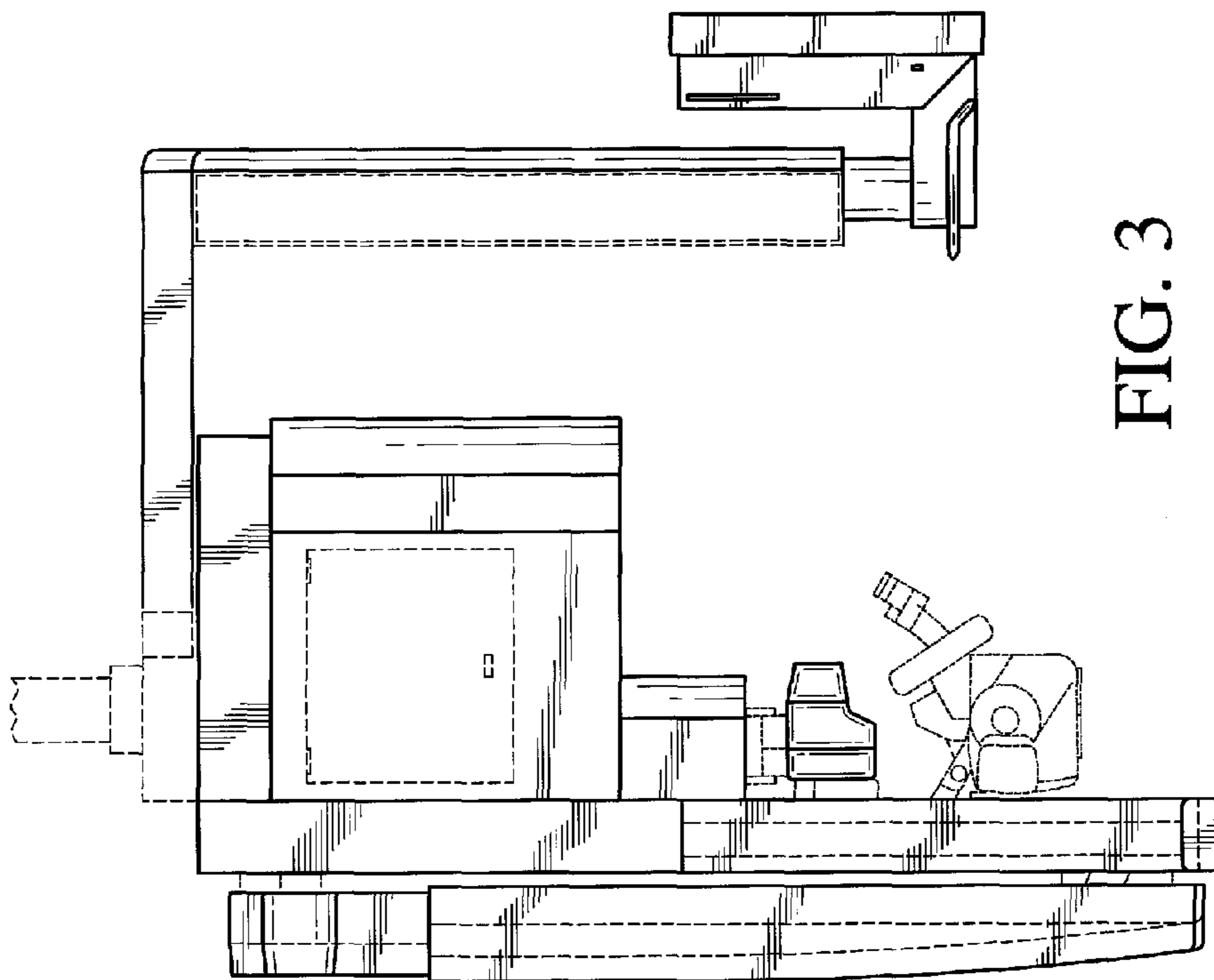


FIG. 3

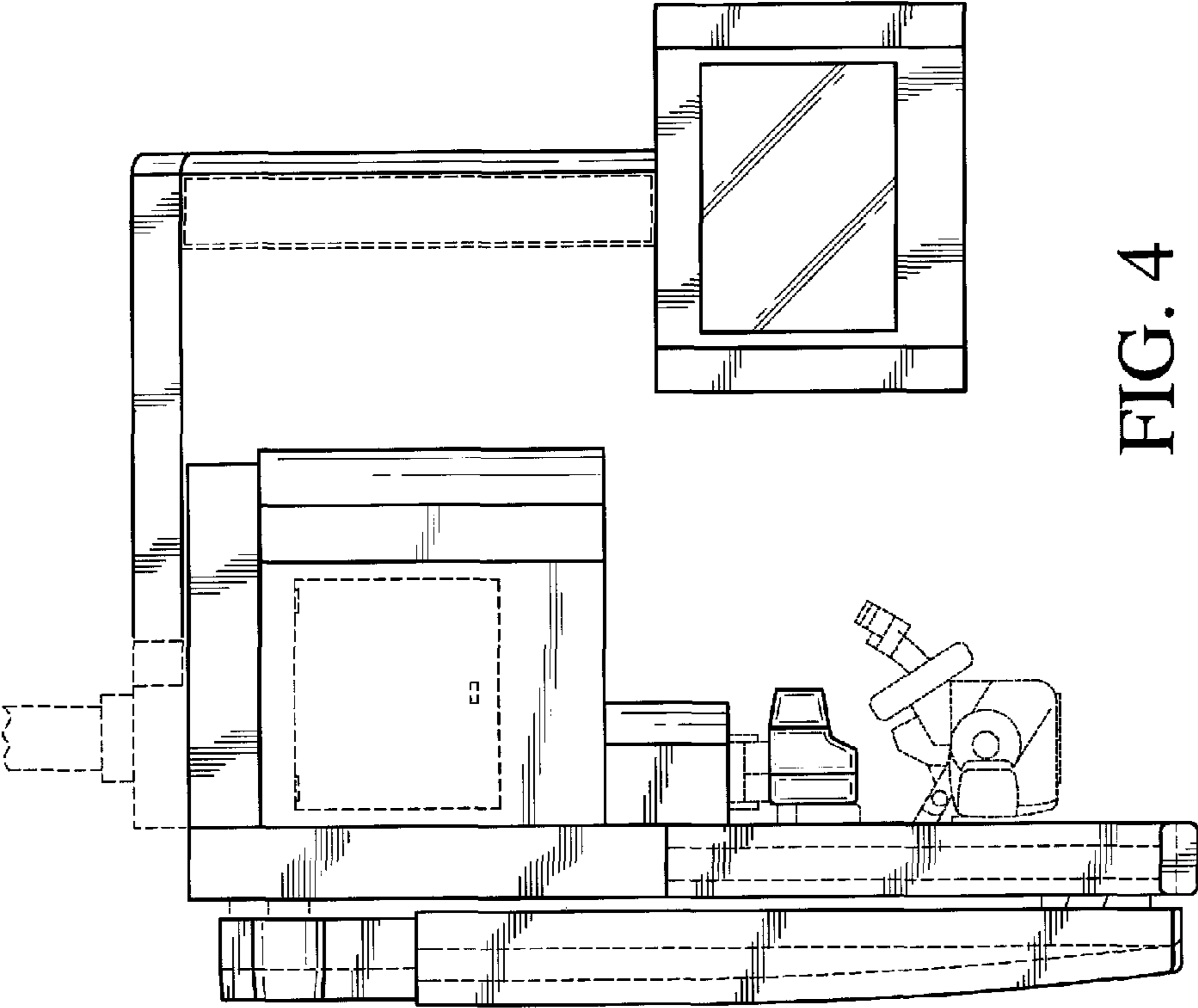


FIG. 4

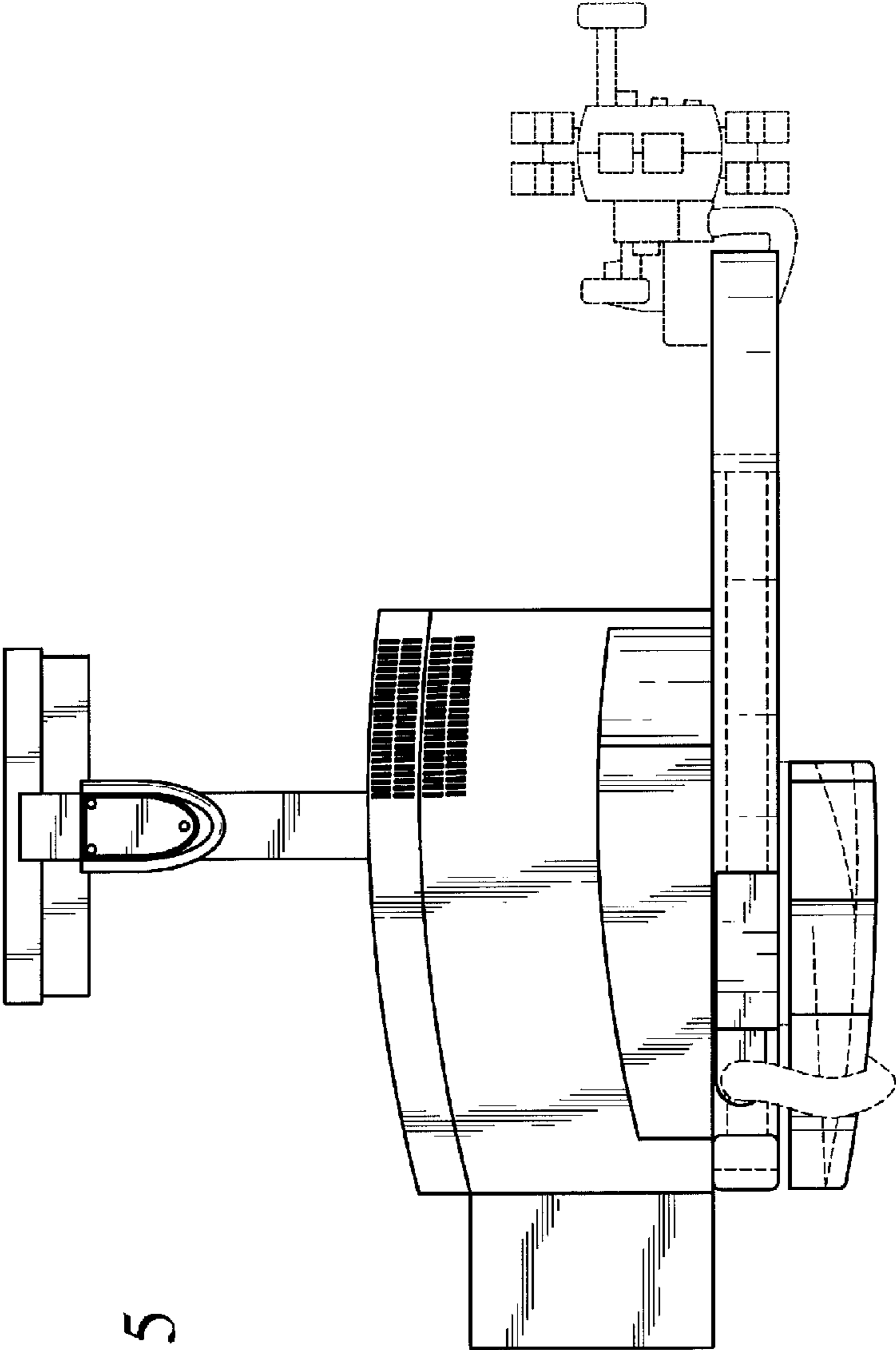


FIG. 5