



US00D667947S

(12) **United States Design Patent**
Py et al.

(10) **Patent No.:** **US D667,947 S**
(45) **Date of Patent:** **** Sep. 25, 2012**

(54) **DISPENSER**

(75) Inventors: **Daniel Py**, Stamford, CT (US); **Norbert M. Assion**, Shelton, CT (US); **Stephanie Ferreira**, Bridgeport, CT (US)

(73) Assignee: **Medical Instill Technologies, Inc.**, New Milford, CT (US)

(**) Term: **14 Years**

(21) Appl. No.: **29/407,973**

(22) Filed: **Dec. 6, 2011**

Related U.S. Application Data

(60) Division of application No. 29/332,347, filed on Feb. 13, 2009, now Pat. No. Des. 650,067, which is a division of application No. 29/304,143, filed on Feb. 26, 2008, now Pat. No. Des. 586,912, which is a division of application No. 29/272,946, filed on Feb. 22, 2007, now Pat. No. Des. 575,391, which is a division of application No. 29/245,663, filed on Dec. 28, 2005, now Pat. No. Des. 540,908, which is a division of application No. 29/225,228, filed on Mar. 14, 2005, now Pat. No. Des. 518,144, which is a division of application No. 29/200,756, filed on Mar. 3, 2004, now Pat. No. Des. 518,872, which is a division of application No. 29/174,936, filed on Jan. 27, 2003, now Pat. No. Des. 504,713, which is a continuation-in-part of application No. 10/272,577, filed on Oct. 16, 2002, now Pat. No. 6,957,752.

(51) **LOC (9) Cl.** **24-02**

(52) **U.S. Cl.** **D24/112**

(58) **Field of Classification Search** D23/213;
D24/112, 114, 130; 222/386

See application file for complete search history.

(56) **References Cited**

U.S. PATENT DOCUMENTS

D39,215 S 3/1908 Garrett
D78,140 S 4/1929 Blinks
2,128,035 A 8/1938 Boetel
2,185,536 A 1/1940 Borland et al.
D134,077 S 10/1942 Clark
2,695,735 A 11/1954 Van Doornik
D175,025 S 6/1955 Kowalczyk
3,141,460 A 7/1964 Tsochatzopoulos

(Continued)

FOREIGN PATENT DOCUMENTS

EP 0649795 B1 6/1999

(Continued)

Primary Examiner — Robin V Webster

(74) *Attorney, Agent, or Firm* — McCarter & English, LLP

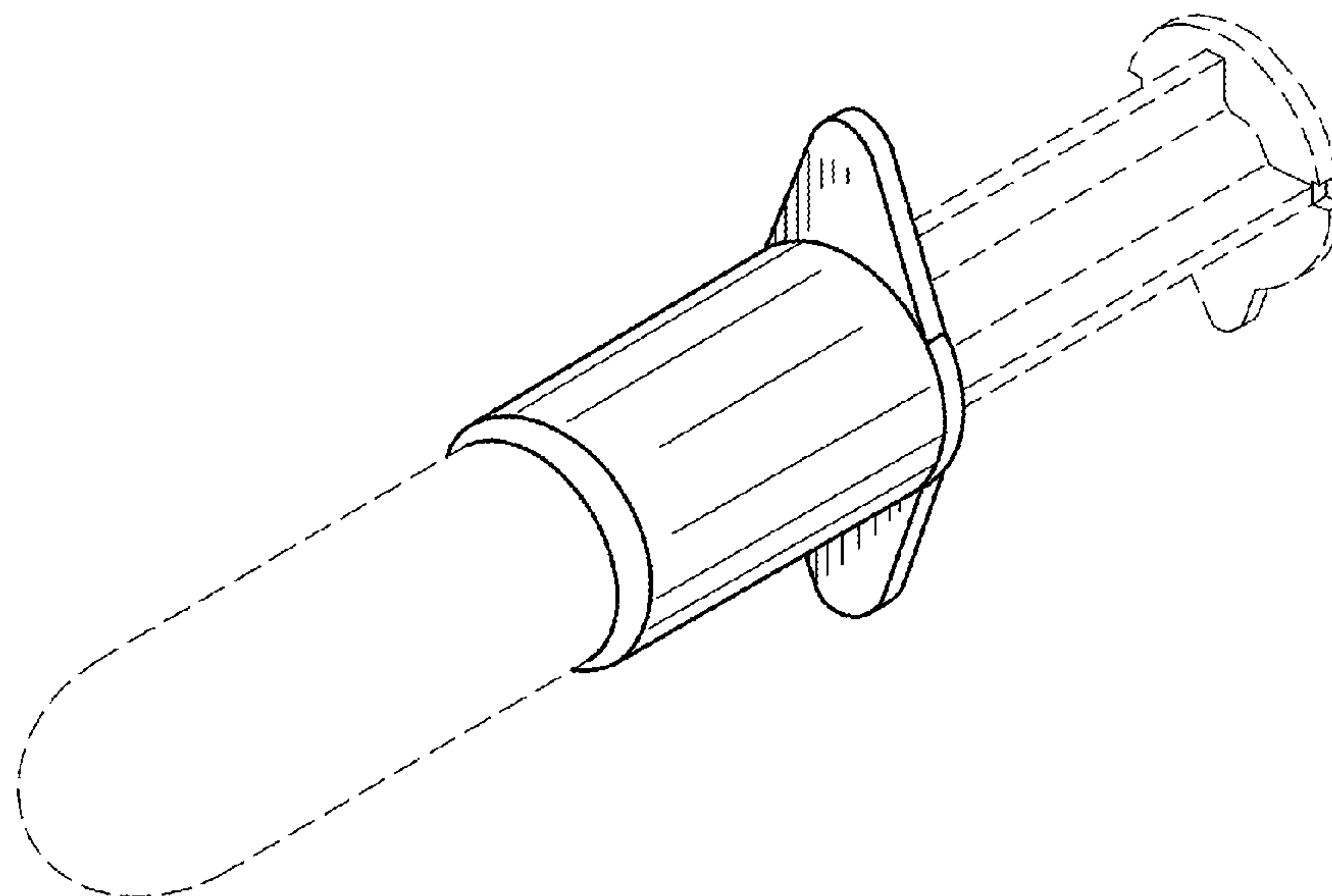
(57) **CLAIM**

The ornamental design for a dispenser, as shown and described.

DESCRIPTION

This application is also related to U.S. application Ser. No. 29/379,390, filed Nov. 18, 2010, now U.S. Pat. No. D644,322. FIG. 1 is a side perspective view of a dispenser showing our new design; FIG. 2 is a bottom plan view of the dispenser of FIG. 1; FIG. 3 is a side view of the dispenser of FIG. 1; and, FIG. 4 is a top plan view of the dispenser of FIG. 1. The broken lines in the figures show structure or boundaries that are not part of the claimed design, but rather show the environment in which the design is associated, or show portions of the article in which the design is embodied or applied to that are not considered part of the claimed design.

1 Claim, 2 Drawing Sheets



US D667,947 S

Page 2

U.S. PATENT DOCUMENTS

3,200,813	A	8/1965	Christakis	
3,412,910	A	11/1968	Hahn	
3,424,158	A	1/1969	Silver	
3,648,903	A	3/1972	Marchant	
3,669,323	A	6/1972	Harker et al.	
3,963,814	A	6/1976	Cospen et al.	
4,002,516	A	1/1977	Gaborieau et al.	
4,102,476	A	7/1978	Loeffler	
4,141,474	A	2/1979	Nilson	
4,513,891	A	4/1985	Hain et al.	
D278,951	S	5/1985	Kalinsky	
4,639,248	A	1/1987	Schweblin	
D288,954	S	3/1987	McDermott et al.	
4,699,300	A	10/1987	Blake	
4,737,148	A	4/1988	Blake	
4,739,906	A	4/1988	LoTurco	
4,842,165	A	6/1989	Van Coney	
D302,787	S	8/1989	Wilson et al.	
4,895,279	A	1/1990	Schultz	
D306,695	S	3/1990	Smith	
4,923,480	A	5/1990	Monestere	
4,932,941	A	6/1990	Min et al.	
4,949,877	A	8/1990	Hanna et al.	
4,978,036	A	12/1990	Burd	
5,033,647	A	7/1991	Smith et al.	
D321,241	S	10/1991	Ingle	
D323,391	S	1/1992	Payne et al.	D24/130
5,083,416	A	1/1992	Schneider et al.	
5,108,007	A	4/1992	Smith et al.	
5,178,300	A	1/1993	Haviv et al.	
5,197,638	A	3/1993	Wood	
5,226,568	A	7/1993	Newton et al.	
5,257,726	A	11/1993	Graf et al.	
5,259,840	A	11/1993	Boris	
5,318,204	A	6/1994	Davis et al.	
5,320,256	A	6/1994	Wood	
5,320,845	A	6/1994	Py	
5,332,121	A	7/1994	Schmidt et al.	
5,339,972	A	8/1994	Crosnier et al.	
5,350,078	A	9/1994	Potts et al.	
5,416,303	A	5/1995	Grooms et al.	
5,489,026	A	2/1996	D'Aloia	
5,489,027	A	2/1996	Goerigk	
5,497,910	A	3/1996	Meadows et al.	
D371,499	S	7/1996	Gomas	
D372,070	S	7/1996	Zak et al.	
5,556,678	A	9/1996	Jupin et al.	
5,564,596	A	10/1996	Meadows et al.	
5,582,330	A	12/1996	Iba	
D378,406	S	3/1997	Kugler	D24/114
5,609,273	A	3/1997	Firestone et al.	
D383,205	S	9/1997	Pagay et al.	D24/112
5,664,704	A	9/1997	Meadows et al.	
5,692,651	A	12/1997	Fuchs	

5,718,334	A	2/1998	Demel	
5,722,955	A	3/1998	Racz	
5,727,892	A	3/1998	Baudin	
5,730,322	A	3/1998	Iba et al.	
5,743,441	A	4/1998	Baudin et al.	
5,759,218	A	6/1998	Martin et al.	
5,799,837	A	9/1998	Firestone et al.	
5,823,397	A	10/1998	Gil	
D404,464	S	1/1999	Niemczyk	
5,855,302	A	1/1999	Fischer	
5,899,624	A	5/1999	Thompson	
5,921,989	A	7/1999	Deacon et al.	
5,934,500	A	8/1999	Cogger et al.	
5,971,217	A	10/1999	Visola et al.	
D418,222	S	12/1999	Pellow	D24/130
D419,671	S	1/2000	Jansen	D24/112
6,050,444	A	4/2000	Sugg	
6,053,370	A	4/2000	Ludbrook et al.	
D424,775	S	5/2000	Rabinowitz et al.	
6,062,437	A	5/2000	Mascitelli	
6,083,450	A	7/2000	Safian	
6,145,707	A	11/2000	Baudin	
6,170,705	B1	1/2001	Schneider et al.	
6,202,901	B1	3/2001	Gerber et al.	
D442,670	S	5/2001	Maddox et al.	
D445,176	S	7/2001	Landers	D24/114
6,254,579	B1	7/2001	Cogger et al.	
6,267,768	B1	7/2001	Deacon et al.	
6,283,976	B1	9/2001	Portney	
6,301,767	B1	10/2001	Granger et al.	
6,306,423	B1	10/2001	Donovan et al.	
D451,196	S	11/2001	Block et al.	
6,312,708	B1	11/2001	Donovan	
6,325,253	B1	12/2001	Robinson	
6,338,200	B1	1/2002	Baxa et al.	
6,351,924	B1	3/2002	Gustafsson et al.	
6,383,509	B1	5/2002	Donovan et al.	
6,386,395	B1	5/2002	Lunghetti	
6,428,545	B2	8/2002	Portney	
6,446,844	B1	9/2002	Gross	
6,450,994	B1	9/2002	Boyles et al.	
D470,221	S	2/2003	Niemczyk	
6,547,101	B1	4/2003	Sogaro	
6,613,024	B1	9/2003	Gargione	
D484,059	S	12/2003	Romeo et al.	
D538,626	S	3/2007	Hsieh-Yeh	
D588,693	S	3/2009	Strong et al.	
D618,347	S	6/2010	Bradshaw	
D622,382	S	8/2010	Richter et al.	
7,776,012	B2	8/2010	Felix-Faure	
7,798,993	B2	9/2010	Lim et al.	

FOREIGN PATENT DOCUMENTS

EP 0673852 B1 2/2000

* cited by examiner

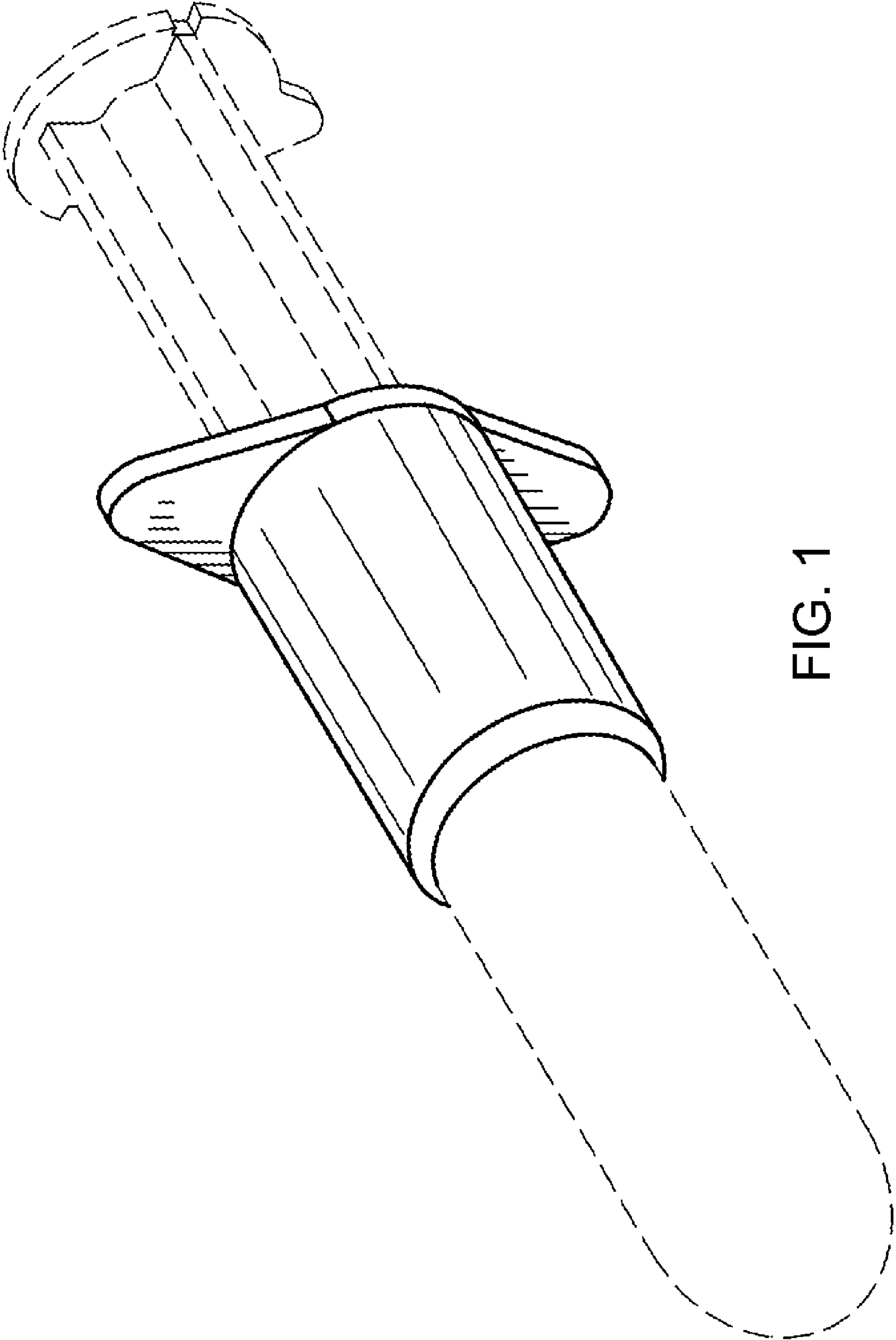


FIG. 1

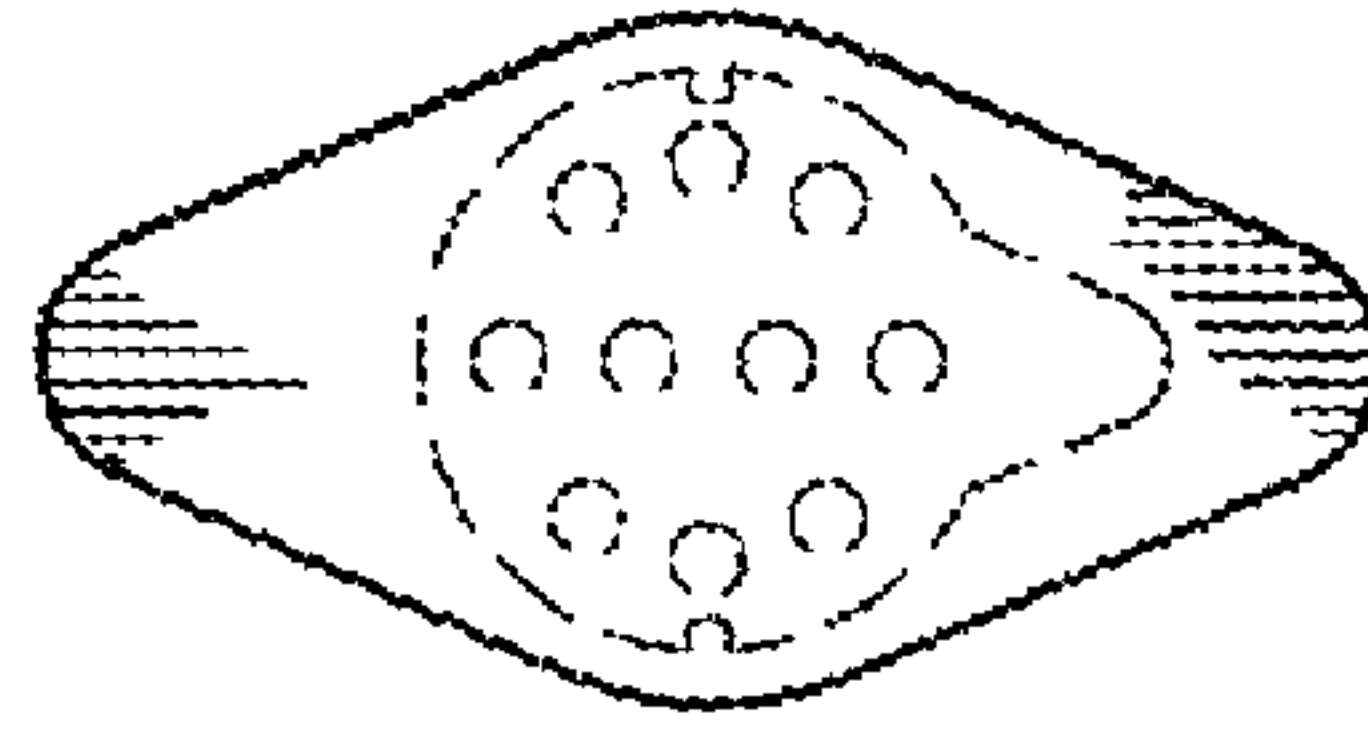


FIG. 4

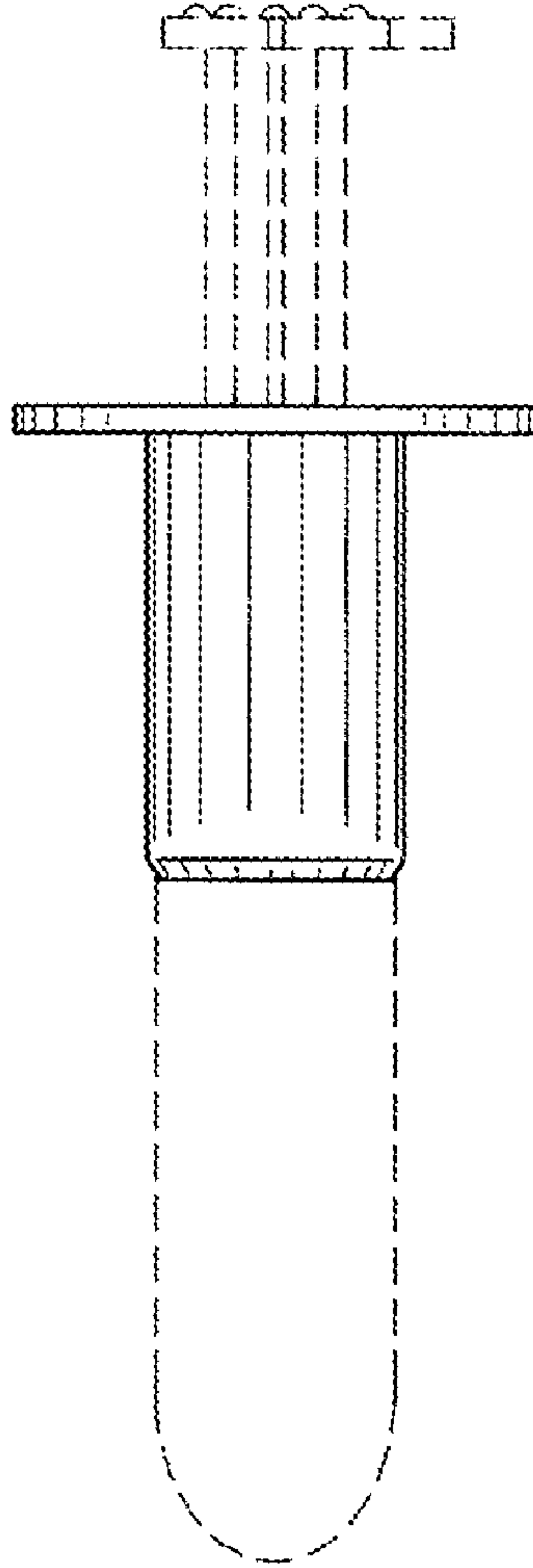


FIG. 3

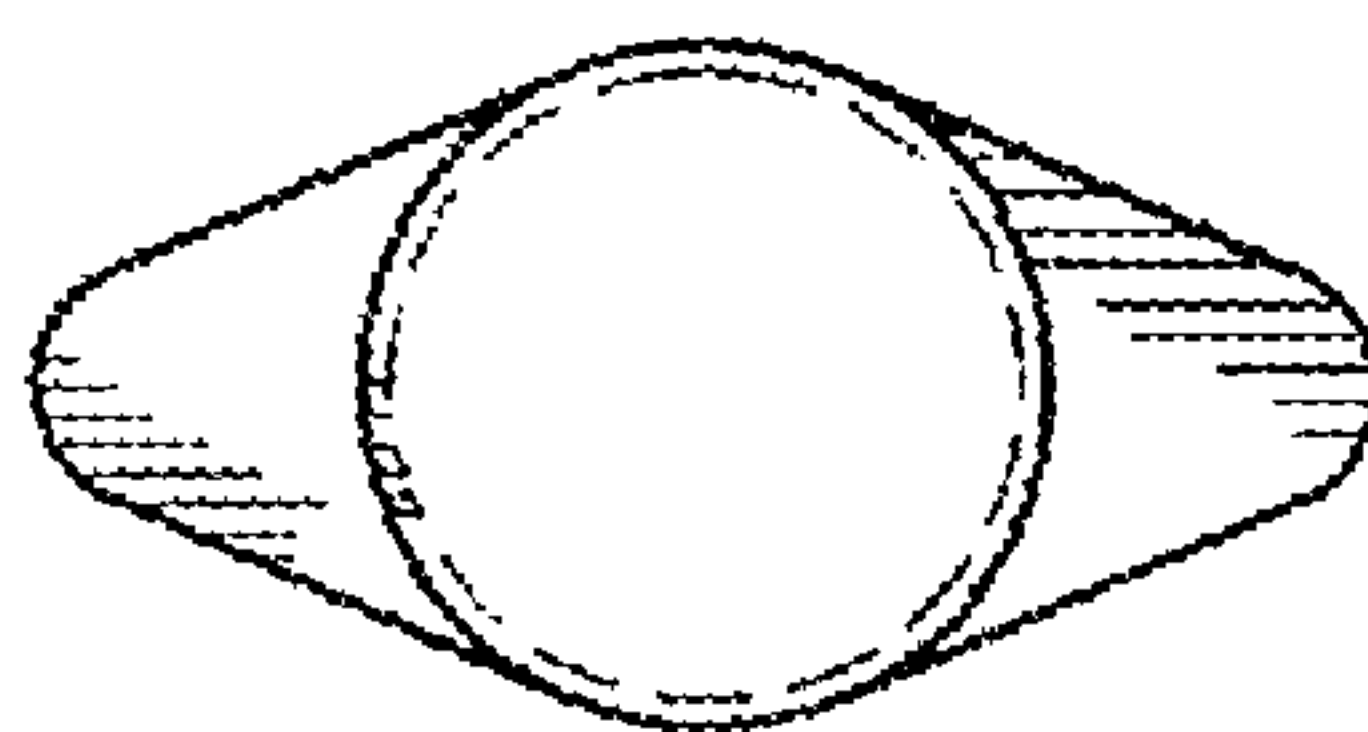


FIG. 2