



US00D667946S

(12) **United States Design Patent**
Levesque et al.

(10) **Patent No.:** **US D667,946 S**

(45) **Date of Patent:** **** Sep. 25, 2012**

(54) **FLUID TRANSFER DEVICE**

(75) Inventors: **Steven F. Levesque**, Hanson, MA (US);
Robert R. Gonnelli, Mahwah, NJ (US);
Robert L. Standley, Acton, MA (US);
Mario T. Capolongo, Ware, MA (US)

(73) Assignee: **Valeritas, Inc.**, Parsippany, NJ (US)

(**) Term: **14 Years**

(21) Appl. No.: **29/361,753**

(22) Filed: **May 14, 2010**

(51) **LOC (9) Cl.** **24-02**

(52) **U.S. Cl.** **D24/111**

(58) **Field of Classification Search** D24/108,
D24/127-130, 110, 111; 141/18, 22-24,
141/27-28; 604/93.01, 151, 7-8, 34, 67,
604/123, 131, 152-153; 137/561 R
See application file for complete search history.

(56) **References Cited**

U.S. PATENT DOCUMENTS

D236,163	S	*	7/1975	Manno	D24/111
3,895,631	A	*	7/1975	Buckles et al.	D24/111
D265,243	S	*	6/1982	Manno et al.	D24/111
D325,255	S	*	4/1992	Busche et al.	D24/111
8,113,240	B2	*	2/2012	Blanchard et al.	137/630.14
2010/0276034	A1	*	11/2010	Gonnelli et al.	141/18
2011/0028937	A1	*	2/2011	Powers et al.	604/67
2011/0284123	A1	*	11/2011	Bouix et al.	141/23
2012/0000569	A1	*	1/2012	Wiegel	141/18

* cited by examiner

Primary Examiner — Wan Laymon

(74) *Attorney, Agent, or Firm* — Morgan, Lewis & Bockius

(57) **CLAIM**

The ornamental design for a fluid transfer device, as shown and described.

DESCRIPTION

FIG. 1 is a front perspective view of a fluid transfer device showing our new design;

FIG. 2 is a front elevational view of the fluid transfer device shown in FIG. 1;

FIG. 3 is a rear elevational view of the fluid transfer device shown in FIG. 1;

FIG. 4 is a right-side elevational view of the fluid transfer device shown in FIG. 1;

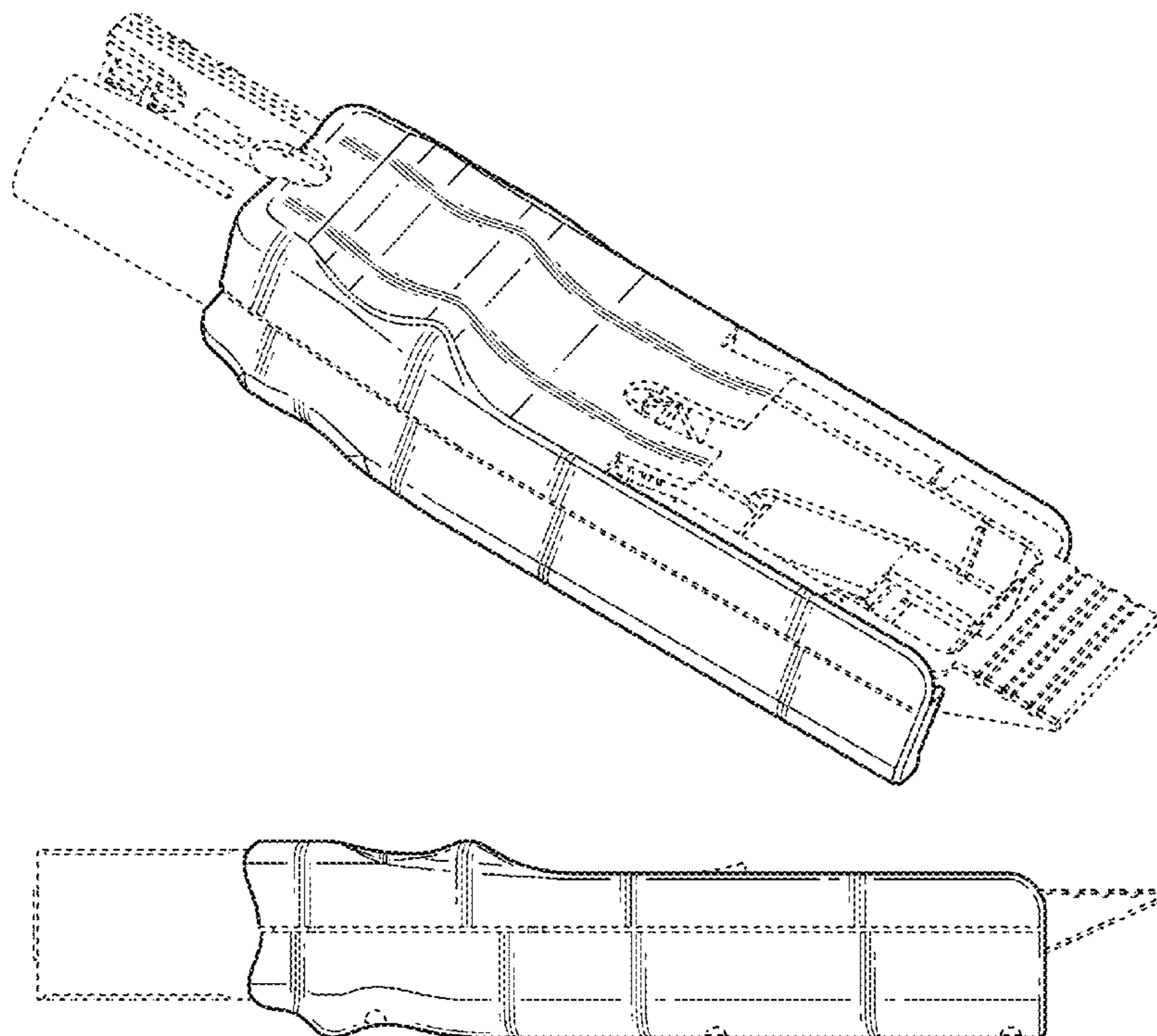
FIG. 5 is a left-side elevational view of the fluid transfer device shown in FIG. 1;

FIG. 6 is a top plan view of the fluid transfer device shown in FIG. 1; and,

FIG. 7 is a bottom plan view of the fluid transfer device shown in FIG. 1.

The broken lines immediately adjacent the claimed areas represent the bounds of the claimed design while all other broken lines represent environmental structure and are for illustrative purposes only; the broken lines form no part of the claimed design.

1 Claim, 3 Drawing Sheets



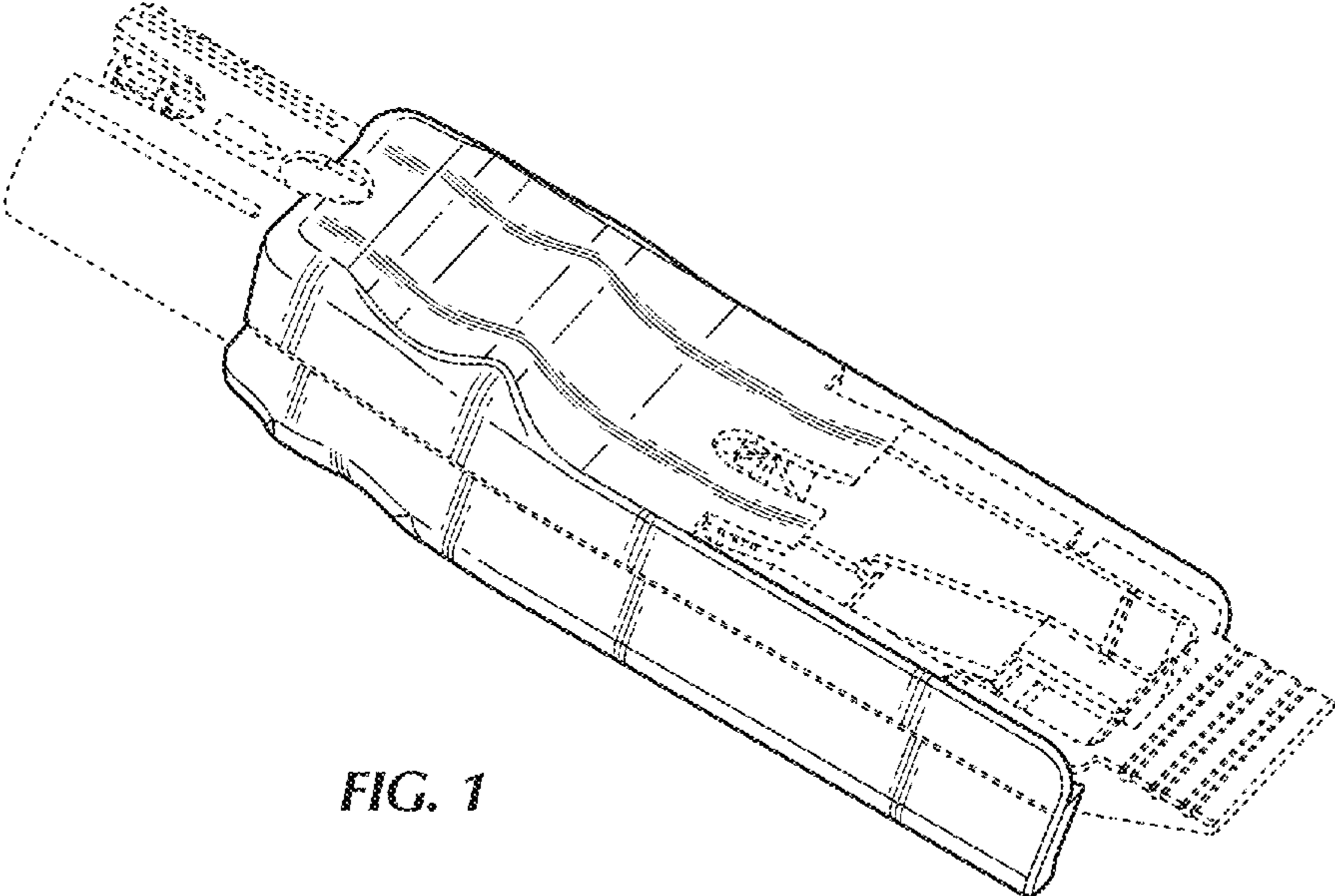


FIG. 1

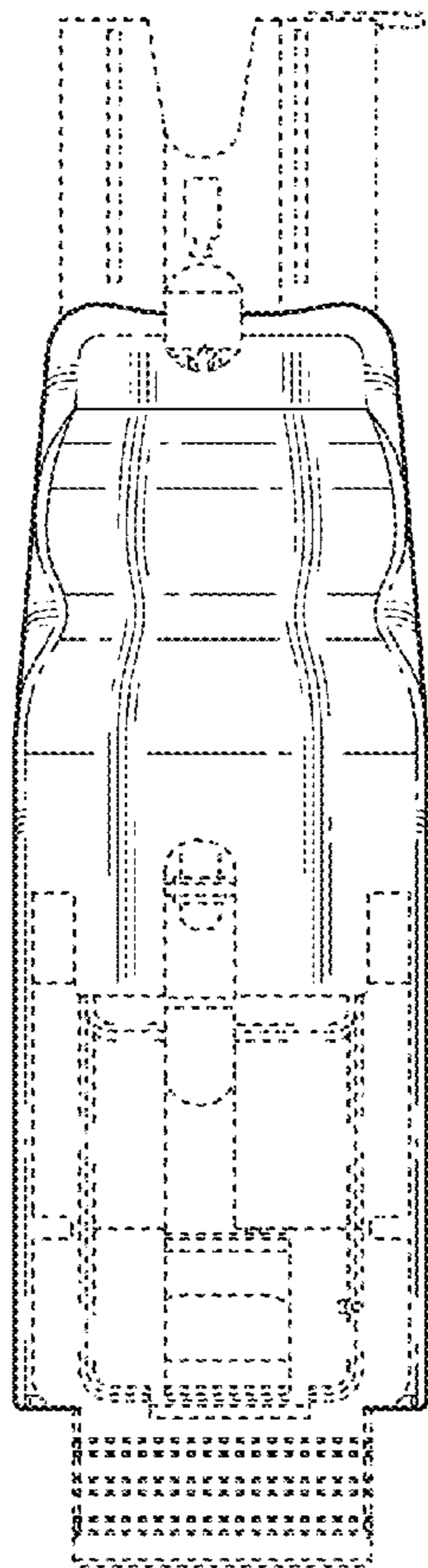


FIG. 2

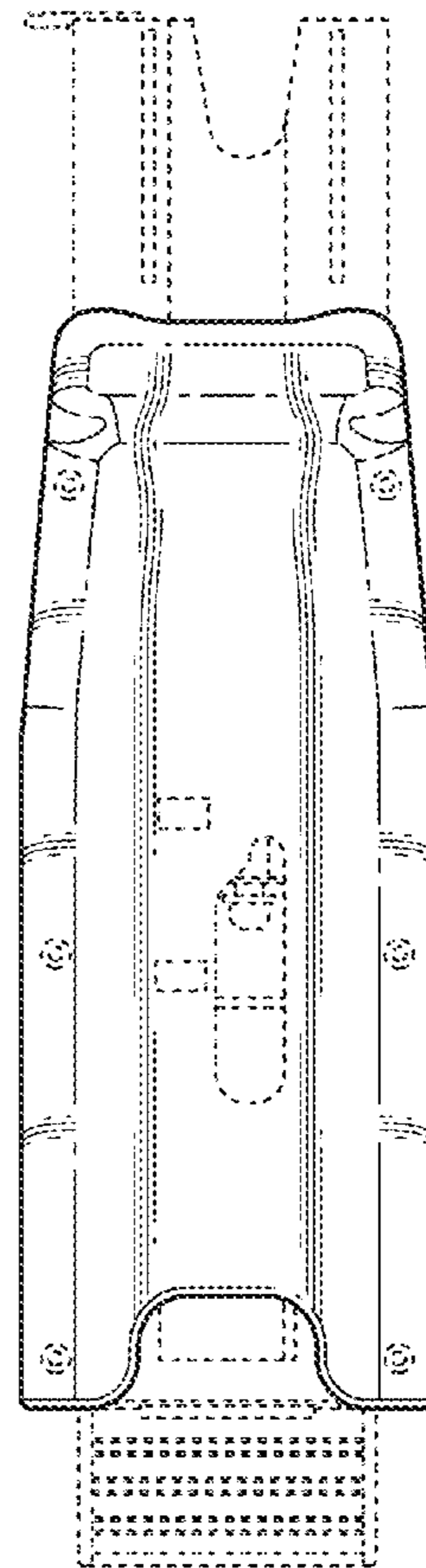


FIG. 3

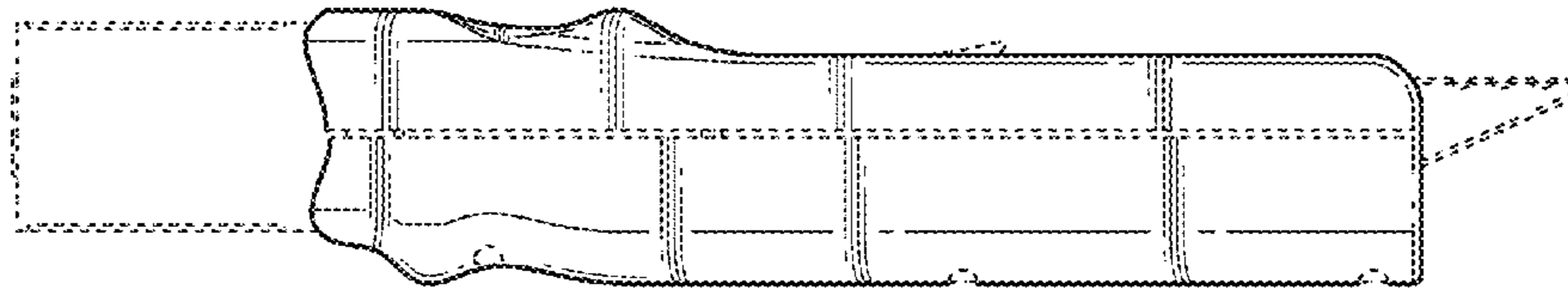


FIG. 4

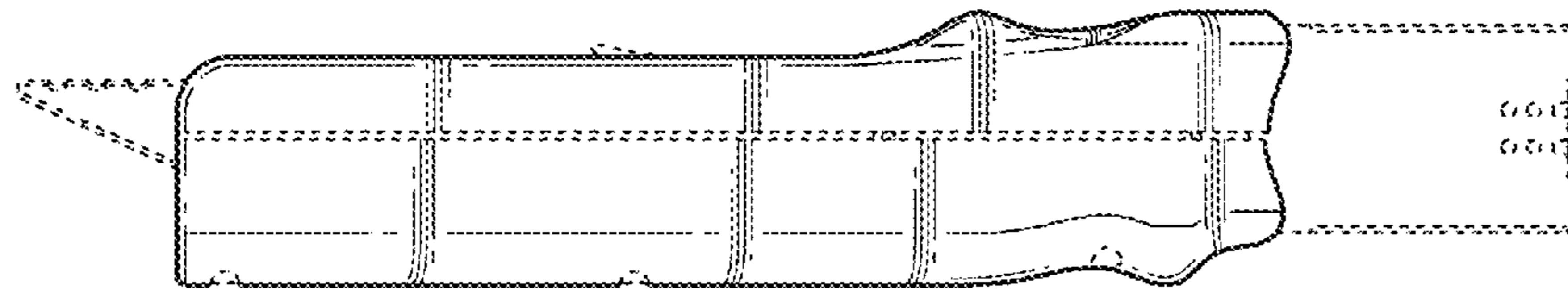


FIG. 5

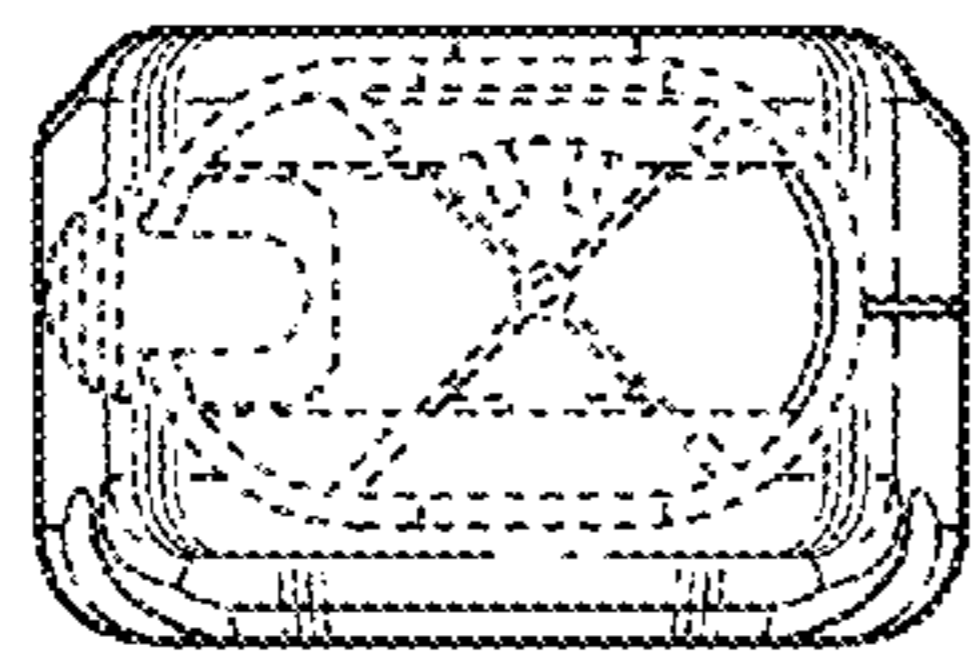


FIG. 6

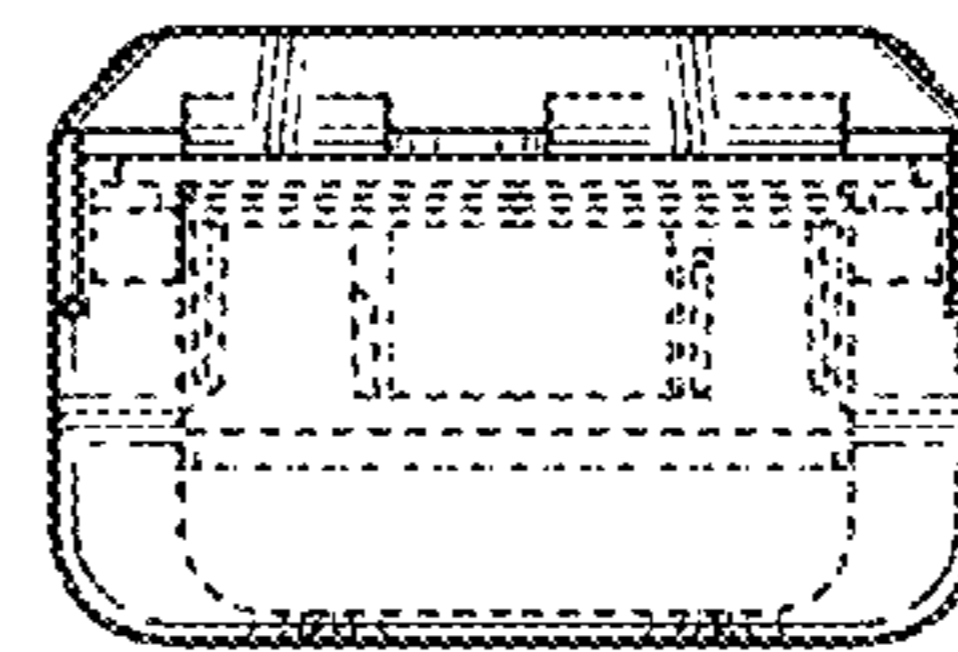


FIG. 7