

US00D667944S

(12) **United States Design Patent**
Richard et al.

(10) **Patent No.:** **US D667,944 S**
(45) **Date of Patent:** **** Sep. 25, 2012**

- (54) **DISPENSER MOUNTING DEVICE**
- (75) Inventors: **Jesse Richard**, Racine, WI (US); **Jason R. Gebhardt**, Buffalo Grove, IL (US); **Kristian Buschmann**, Chicago, IL (US); **Steven V. Bisbikis**, Hawthorn Woods, IL (US)
- (73) Assignee: **S.C. Johnson & Son, Inc.**, Racine, WI (US)
- (**) Term: **14 Years**
- (21) Appl. No.: **29/378,780**
- (22) Filed: **Nov. 9, 2010**
- (51) **LOC (9) Cl.** **28-99**
- (52) **U.S. Cl.** **D23/366**
- (58) **Field of Classification Search** D23/355-369, D23/208; D28/5, 6; 261/DIG. 17, DIG. 42, 261/DIG. 65, DIG. 88, DIG. 89; 392/386, 392/390, 394, 395; 239/34, 44, 53, 55, 56, 239/326; D26/14, 17, 98, 9, 22, 24; D11/131.1; D7/509, 522, 524, 537
See application file for complete search history.

- 6,230,334 B1 5/2001 Camp et al.
- D444,978 S 7/2001 Kauzlarich et al.
- 6,389,610 B1 5/2002 Hautmann et al.
- 6,434,758 B2 8/2002 Camp et al.
- 6,505,356 B1 1/2003 Leonard et al.
- 6,519,783 B2 2/2003 Falchieri
- D477,956 S 8/2003 Grisdale et al.
- D480,462 S * 10/2003 Conway et al. D23/368
- D481,896 S 11/2003 Shaanan
- 6,651,261 B1 11/2003 Leonard et al.
- 6,691,329 B2 2/2004 Slade
- 6,820,821 B2 11/2004 Linstedt et al.
- D499,295 S 12/2004 Grisdale et al.
- D500,548 S 1/2005 Conway et al.
- D500,550 S * 1/2005 Bariou et al. D23/368
- 6,898,806 B2 5/2005 Keramidas
- D509,293 S * 9/2005 Rivera D23/368
- D512,771 S * 12/2005 Conway et al. D23/368
- 6,976,277 B2 12/2005 Keramidas
- 7,021,494 B2 4/2006 Mazooji et al.
- 7,114,199 B2 10/2006 Conway et al.

(Continued)

Primary Examiner — Sandra Snapp

(57) **CLAIM**
The ornamental design for a dispenser mounting device, as shown and described.

DESCRIPTION

FIG. 1 is a top, left, front perspective view of a fourth embodiment of a dispenser mounting device embodying our new design;

FIG. 2 is a left elevational view thereof, the right elevational view being a mirror image thereof;

FIG. 3 is a front elevational view thereof;

FIG. 4 is a rear elevational view thereof;

FIG. 5 is a top plan view thereof; and,

FIG. 6 is a bottom plan view thereof.

In a preferred embodiment, the nature of this product is a liquid dispensing device for dispensing liquids from the rim of a toilet.

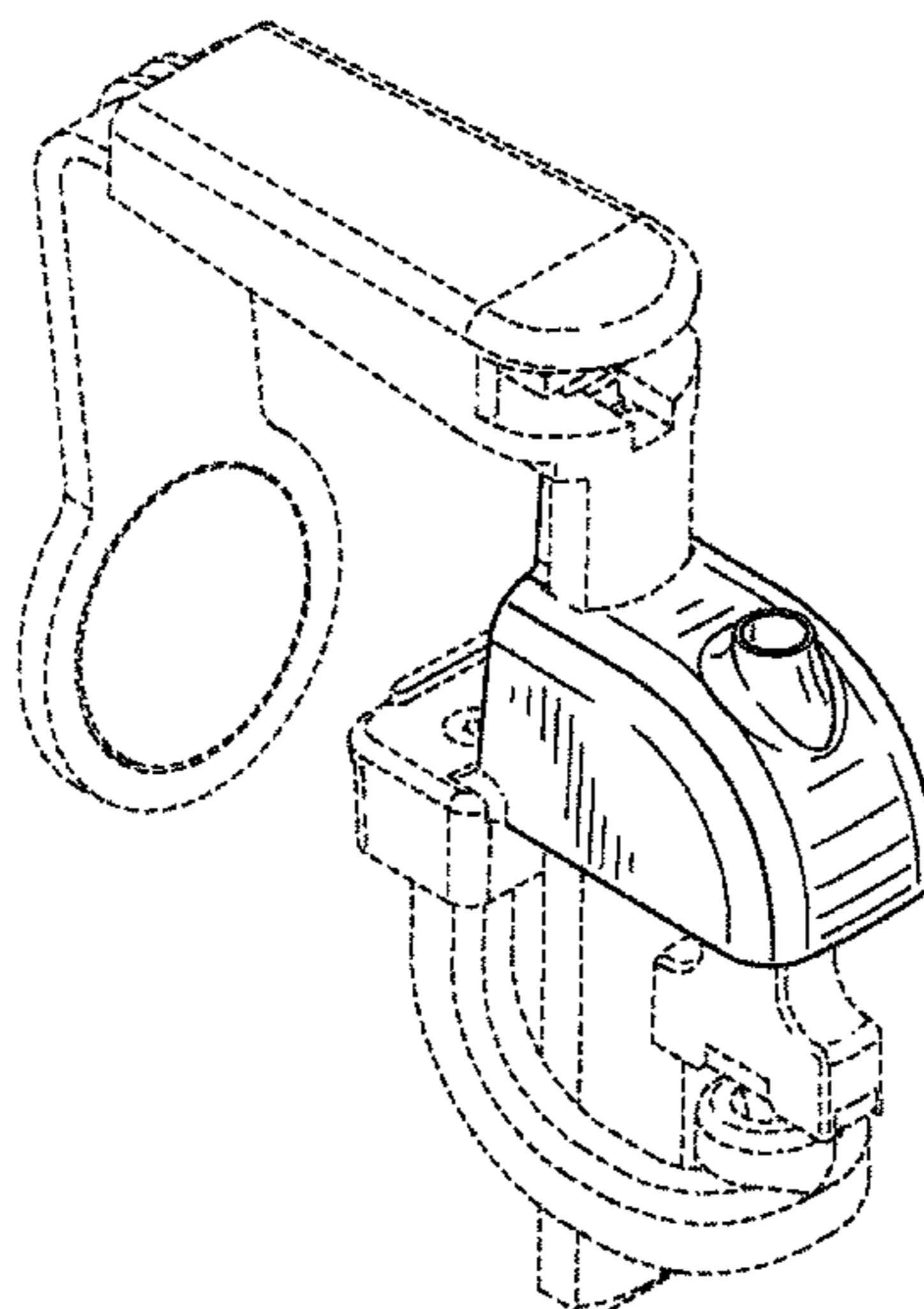
The broken line representations in the views are for illustrative purposes only and form no part of the claimed design.

1 Claim, 4 Drawing Sheets

(56) **References Cited**

U.S. PATENT DOCUMENTS

- 3,342,379 A 9/1967 Foley
- D217,872 S 6/1970 Sessions
- D228,994 S 11/1973 Reinecke et al.
- D273,607 S 4/1984 Joyaux et al.
- RE32,017 E 11/1985 Hautmann et al.
- 4,555,819 A 12/1985 Weiss et al.
- 4,560,108 A 12/1985 Rubinstein
- 4,660,765 A 4/1987 Rosenberg
- 4,763,839 A 8/1988 Greenberg
- 4,817,869 A 4/1989 Rubinstein
- D384,736 S * 10/1997 Goode et al. D23/366
- D400,965 S * 11/1998 Akwei D23/208
- D419,347 S 1/2000 Leonard
- D423,639 S 4/2000 Leonard
- D436,160 S 1/2001 Leonard et al.
- 6,178,564 B1 1/2001 Leonard et al.



US D667,944 S

Page 2

| U.S. PATENT DOCUMENTS | | | | | |
|-----------------------|--------|--------------------------|------------------|---------|---------------------------------|
| D540,907 S | 4/2007 | Liu | D643,101 S * | 8/2011 | Abbondanzio et al. D23/366 |
| 7,234,175 B2 | 6/2007 | Wilson et al. | 2002/0083514 A1 | 7/2002 | Lhoste |
| D558,856 S | 1/2008 | King | 2007/0136937 A1 | 6/2007 | Sawalski et al. |
| D591,824 S | 5/2009 | Leonard et al. | 2007/0240252 A1* | 10/2007 | Leonard et al. 4/223 |
| D595,388 S | 6/2009 | Leonard et al. | 2008/0017762 A1 | 1/2008 | Leonard et al. |
| D595,389 S | 6/2009 | Leonard et al. | 2008/0272200 A1* | 11/2008 | Ordiway et al. 239/7 |
| D613,367 S * | 4/2010 | Burt et al. D23/208 | 2010/0205728 A1* | 8/2010 | Muhlhausen et al. 4/223 |
| | | | | | * cited by examiner |

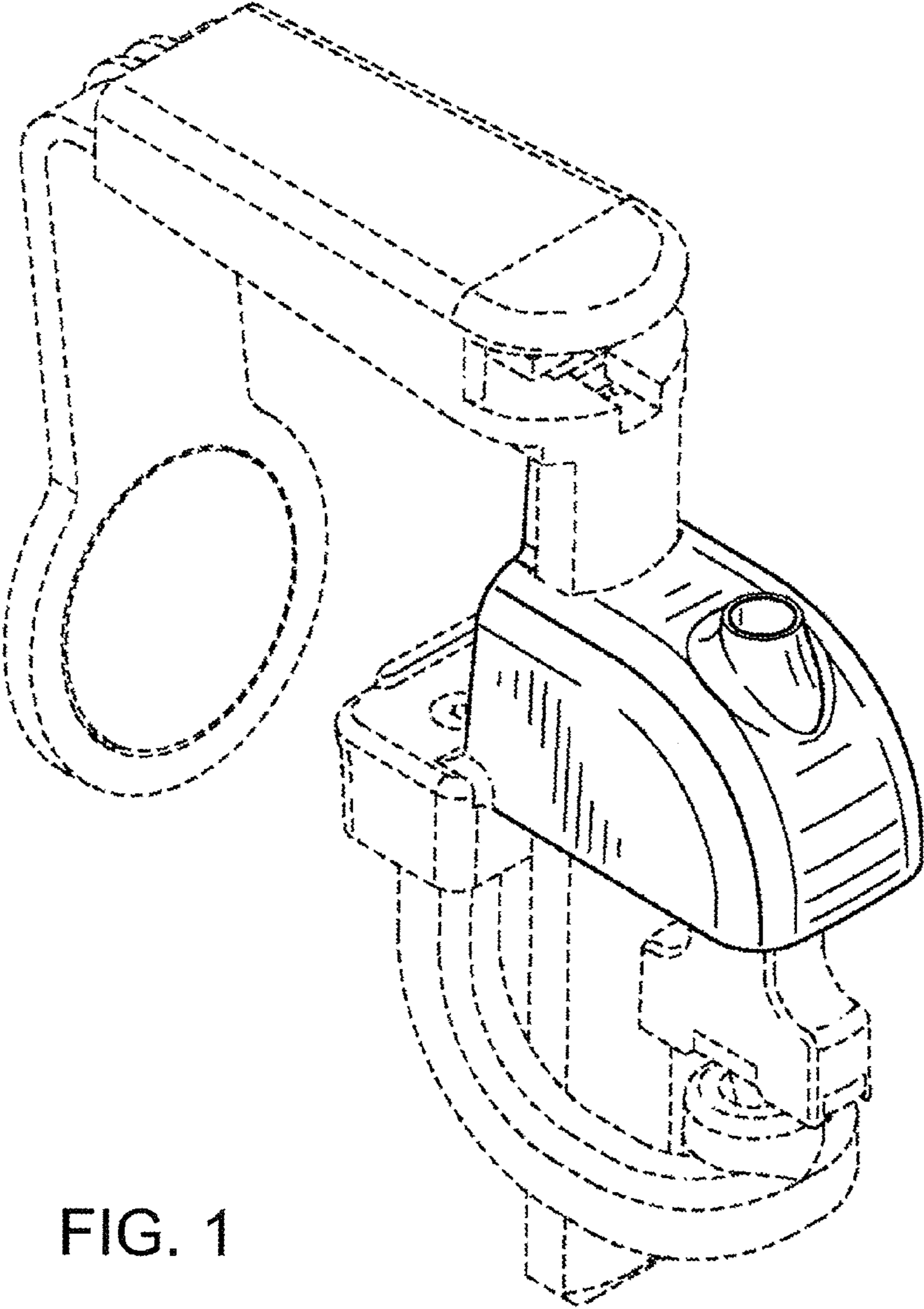


FIG. 1

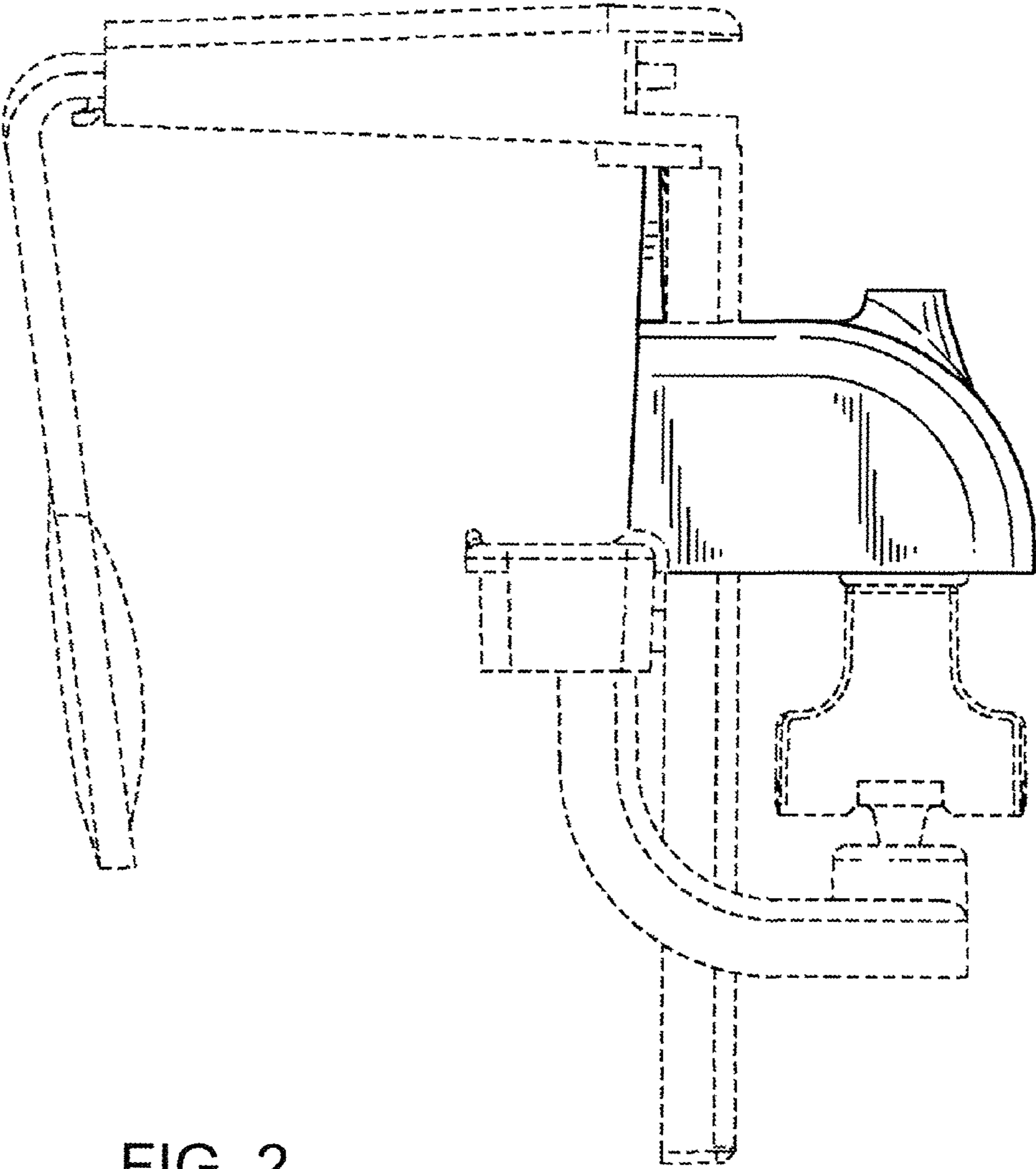


FIG. 2

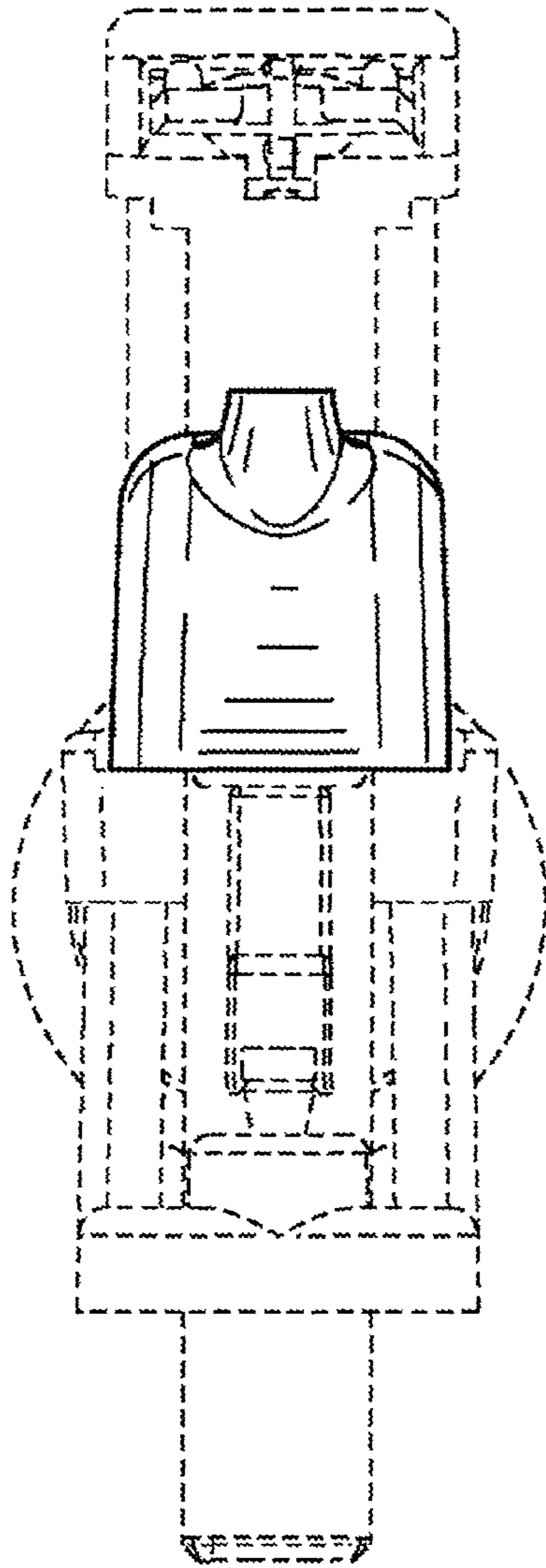


FIG. 3

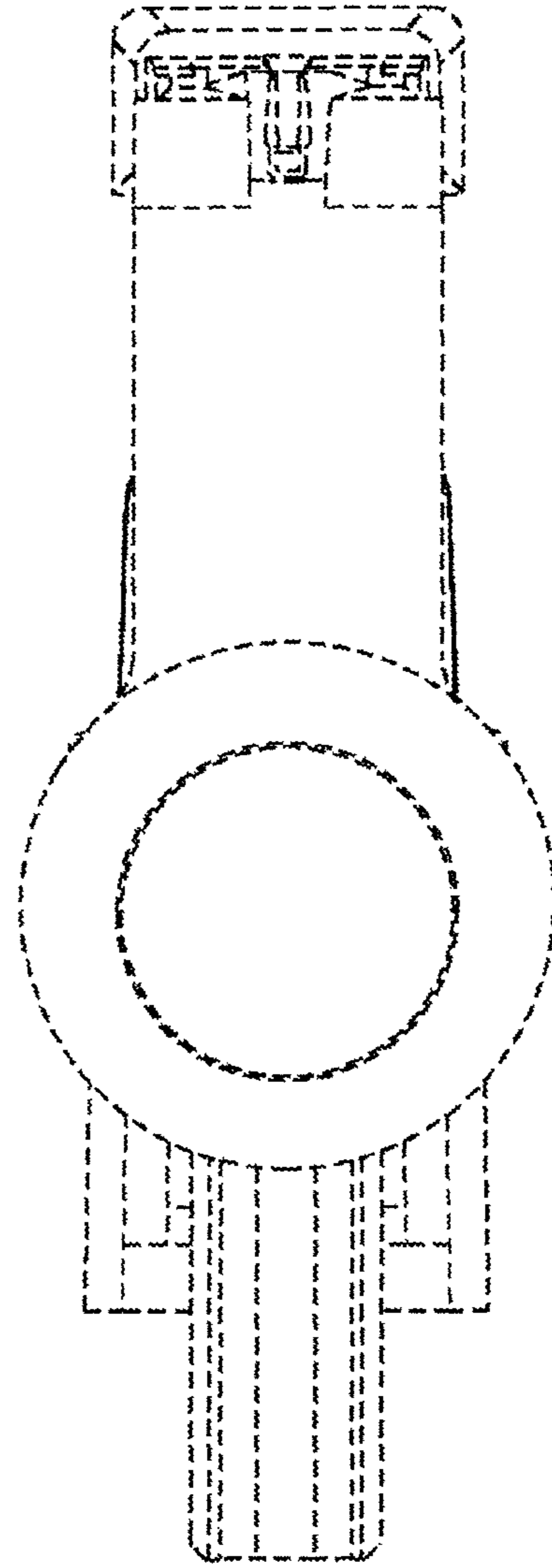


FIG. 4

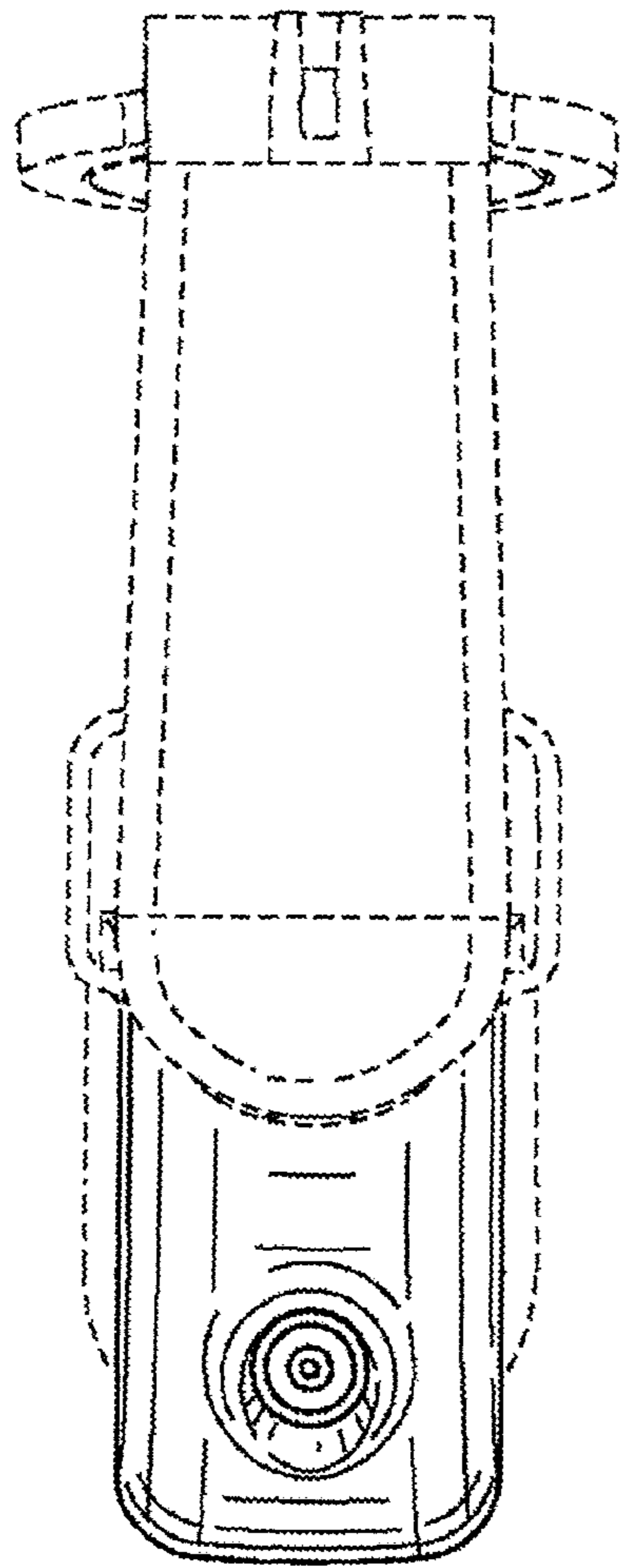


FIG. 5

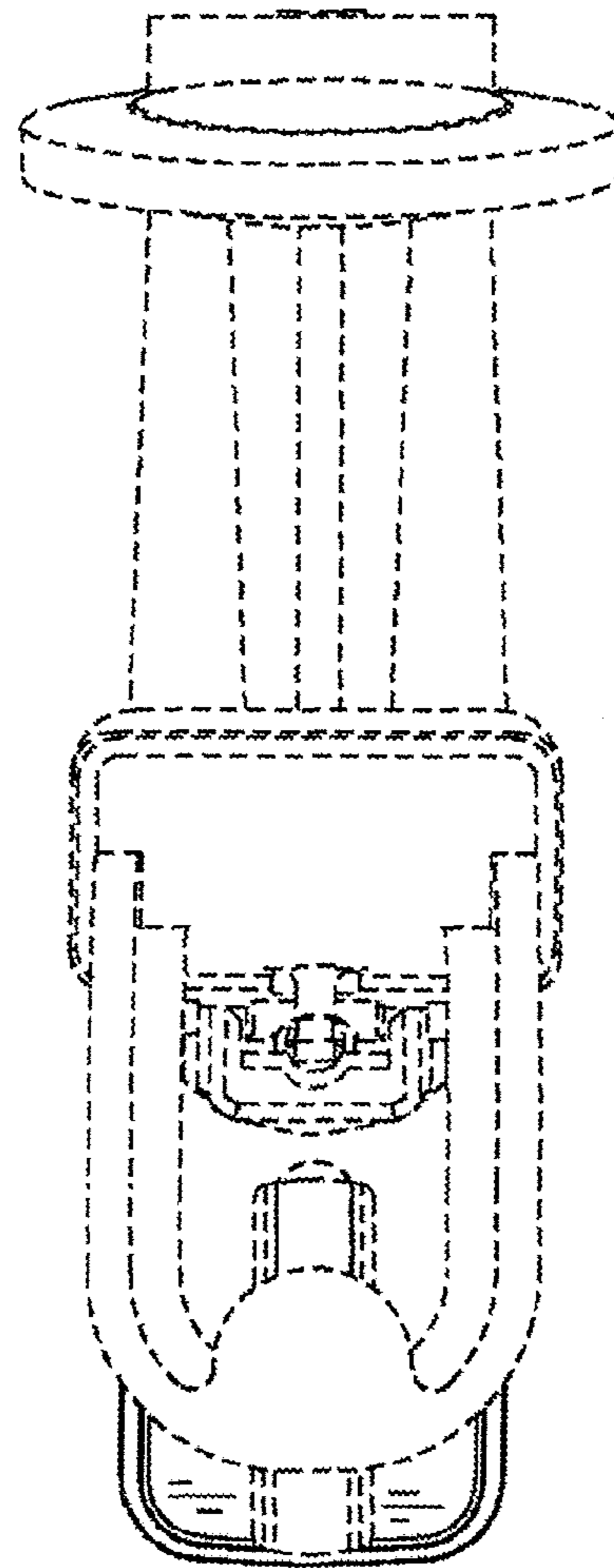


FIG. 6