



US00D667942S

(12) **United States Design Patent**  
**Kent et al.**

(10) **Patent No.:** **US D667,942 S**

(45) **Date of Patent:** **\*\* Sep. 25, 2012**

(54) **FIREBOX**

(75) Inventors: **Jason Kent**, Guelph (CA); **Douglas G. Greenway**, Guelph (CA)

(73) Assignee: **Greenway Home Products Ltd.**, Guelph, Ontario (CA)

(\*\*) Term: **14 Years**

(21) Appl. No.: **29/395,221**

(22) Filed: **Dec. 20, 2011**

(51) **LOC (9) Cl.** ..... **23-03**

(52) **U.S. Cl.** ..... **D23/343**

(58) **Field of Classification Search** ..... D23/342,  
D23/351, 355, 378, 370, 381, 364, 336, 341,  
D23/343, 344; 126/547, 92 AC, 92 B, 91 R,  
126/200

See application file for complete search history.

(56) **References Cited**

**U.S. PATENT DOCUMENTS**

D264,497 S *	5/1982	Morande, Jr.	.....	D23/344
D301,610 S *	6/1989	Craver	.....	D23/344
D390,936 S *	2/1998	French et al.	.....	D23/350
D591,409 S *	4/2009	Kashimoto	.....	D23/351
D591,410 S *	4/2009	Kashimoto	.....	D23/351
7,726,299 B2 *	6/2010	Reyher	.....	126/512
D638,922 S *	5/2011	Zhou	.....	D23/344
D658,750 S *	5/2012	Nemes	.....	D23/344

\* cited by examiner

*Primary Examiner* — Eric Goodman

(74) *Attorney, Agent, or Firm* — Norton Rose Canada LLP

(57) **CLAIM**

The ornamental design for a firebox, as shown and described.

**DESCRIPTION**

FIG. 1 is a front perspective view of a first embodiment of the firebox.

FIG. 2 is a back perspective view of FIG. 1.

FIG. 3 is a front plan view of FIG. 1.

FIG. 4 is a back plan view of FIG. 1.

FIG. 5 is a right plan view of FIG. 1.

FIG. 6 is a left plan view of FIG. 1.

FIG. 7 is a top plan view of FIG. 1.

FIG. 8 is a bottom plan view of FIG. 1.

FIG. 9 is a front perspective view of a second embodiment of the firebox.

FIG. 10 is a back perspective view of FIG. 9.

FIG. 11 is a front plan view of FIG. 9.

FIG. 12 is a back plan view of FIG. 9.

FIG. 13 is a right plan view of FIG. 9.

FIG. 14 is a left plan view of FIG. 9.

FIG. 15 is a top plan view of FIG. 9.

FIG. 16 is a bottom plan view of FIG. 9.

FIG. 17 is a front perspective view of a third embodiment of the firebox.

FIG. 18 is a back perspective view of FIG. 17.

FIG. 19 is a front plan view of FIG. 17.

FIG. 20 is a back plan view of FIG. 17.

FIG. 21 is a right plan view of FIG. 17.

FIG. 22 is a left plan view of FIG. 17.

FIG. 23 is a top plan view of FIG. 17.

FIG. 24 is a bottom plan view of FIG. 17.

FIG. 25 is a front perspective view of a fourth embodiment of the firebox.

FIG. 26 is a back perspective view of FIG. 25.

FIG. 27 is a front plan view of FIG. 25.

FIG. 28 is a back plan view of FIG. 25.

FIG. 29 is a right plan view of FIG. 25.

FIG. 30 is a left plan view of FIG. 25.

FIG. 31 is a top plan view of FIG. 25.

FIG. 32 is a bottom plan view of FIG. 25.

FIG. 33 is a front perspective view of a fifth embodiment of the firebox

FIG. 34 is a back perspective view of FIG. 33.

FIG. 35 is a front plan view of FIG. 33.

FIG. 36 is a back plan view of FIG. 33.

FIG. 37 is a right plan view of FIG. 33.

FIG. 38 is a left plan view of FIG. 33.

FIG. 39 is a top plan view of FIG. 33.

FIG. 40 is a bottom plan view of FIG. 33.

FIG. 41 is a front perspective view of a sixth embodiment of the firebox.

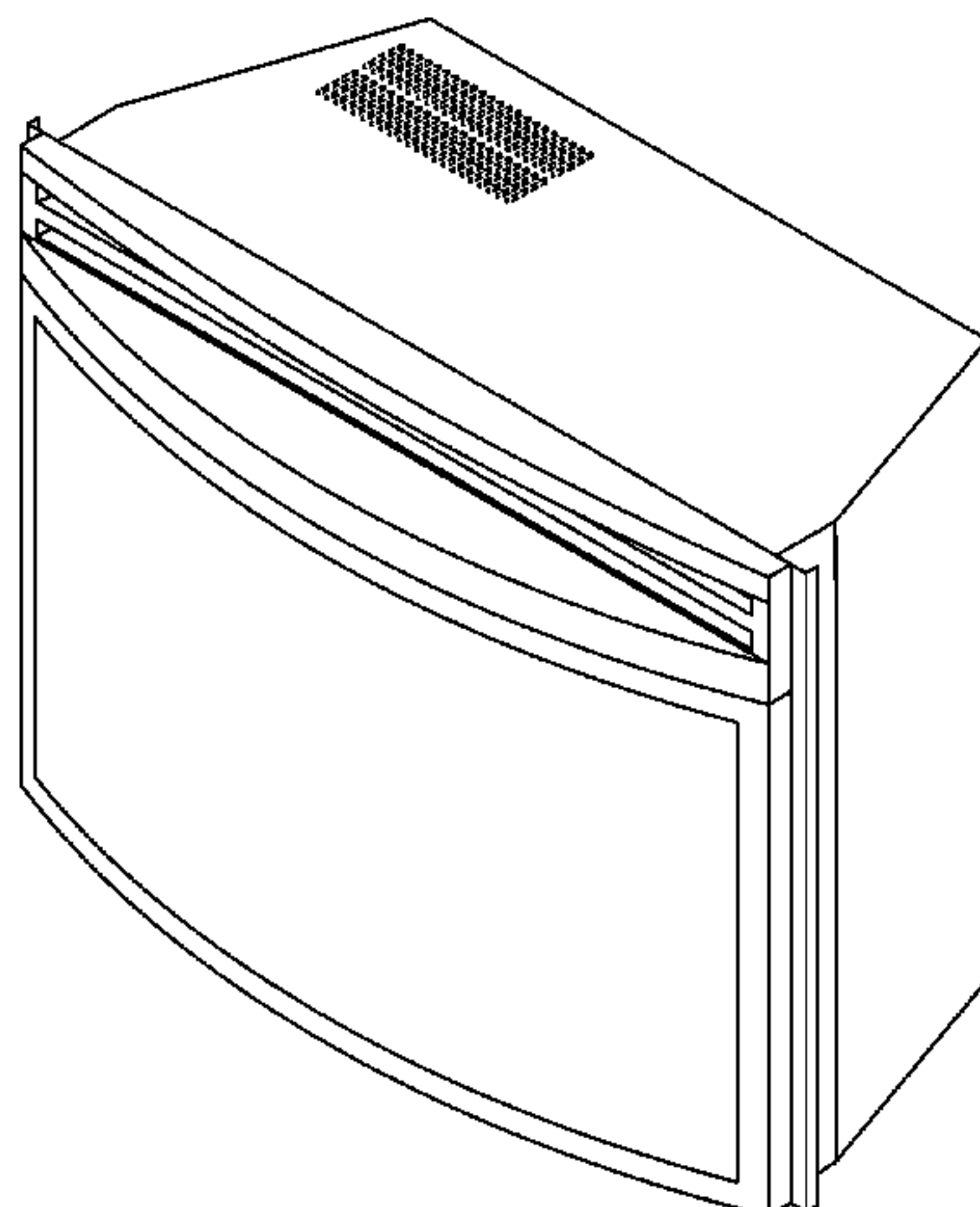


FIG. 42 is a back perspective view of FIG. 41.  
FIG. 43 is a front plan view of FIG. 41.  
FIG. 44 is a back plan view of FIG. 41.  
FIG. 45 is a right plan view of FIG. 41.  
FIG. 46 is a left plan view of FIG. 41.  
FIG. 47 is a top plan view of FIG. 41.  
FIG. 48 is a bottom plan view of FIG. 41.  
FIG. 49 is a front perspective view of a seventh embodiment of the firebox.  
FIG. 50 is a back perspective view of FIG. 49.  
FIG. 51 is a front plan view of FIG. 49.  
FIG. 52 is a back plan view of FIG. 49.  
FIG. 53 is a right plan view of FIG. 49.  
FIG. 54 is a left plan view of FIG. 49.  
FIG. 55 is a top plan view of FIG. 49.  
FIG. 56 is a bottom plan view FIG. 49.  
FIG. 57 is a front perspective view of an eight embodiment of the firebox.  
FIG. 58 is a back perspective view of FIG. 57.  
FIG. 59 is a front plan view of FIG. 57.  
FIG. 60 is a back plan view of FIG. 57.  
FIG. 61 is a right plan view of FIG. 57.  
FIG. 62 is a left plan view of FIG. 57.  
FIG. 63 is a top plan view of FIG. 57.  
FIG. 64 is a bottom plan view of FIG. 57.  
FIG. 65 is a front perspective view of a ninth embodiment of the firebox.  
FIG. 66 is a back perspective view of FIG. 65.  
FIG. 67 is a front plan view of FIG. 65.  
FIG. 68 is a back plan view of FIG. 65.  
FIG. 69 is a right plan view of FIG. 65.  
FIG. 70 is a left plan view of FIG. 65.  
FIG. 71 is a top plan view of FIG. 65.  
FIG. 72 is a bottom plan view of FIG. 65.  
FIG. 73 is a front perspective view of a tenth embodiment of the firebox.  
FIG. 74 is a back perspective view of FIG. 73.  
FIG. 75 is a front plan view of FIG. 73.  
FIG. 76 is a back plan view of FIG. 73.  
FIG. 77 is a right plan view of FIG. 73.  
FIG. 78 is a left plan view of FIG. 73.  
FIG. 79 is a top plan view of FIG. 73.  
FIG. 80 is a bottom plan view FIG. 73.  
FIG. 81 is a front perspective view of an eleventh the firebox.  
FIG. 82 is a back perspective view of FIG. 81.  
FIG. 83 is a front plan view of FIG. 81.  
FIG. 84 is a back plan view of FIG. 81.  
FIG. 85 is a right plan view of FIG. 81.  
FIG. 86 is a left plan view of FIG. 81.  
FIG. 87 is a top plan view of FIG. 81.  
FIG. 88 is a bottom plan view of FIG. 81.  
FIG. 89 is a front perspective view of a twelfth embodiment of the firebox.  
FIG. 90 is a back perspective view of FIG. 89.  
FIG. 91 is a front plan view of FIG. 89.  
FIG. 92 is a back plan view of FIG. 89.  
FIG. 93 is a right plan view of FIG. 89.  
FIG. 94 is a left plan view of FIG. 89.  
FIG. 95 is a top plan view of FIG. 89.  
FIG. 96 is a bottom plan view of FIG. 89.  
FIG. 97 is a front perspective view of a thirteenth embodiment of the firebox.  
FIG. 98 is a back perspective view of FIG. 97.  
FIG. 99 is a front plan view of FIG. 89.  
FIG. 100 is a back plan view of FIG. 89.  
FIG. 101 is a right plan view of FIG. 89.  
FIG. 102 is a left plan view of FIG. 89.  
FIG. 103 is a top plan view of FIG. 89.  
FIG. 104 is a bottom plan view of FIG. 89.  
FIG. 105 is a front perspective view of a fourteenth embodiment of the firebox.  
FIG. 106 is a back perspective view of FIG. 105.  
FIG. 107 is a front plan view of FIG. 105.  
FIG. 108 is a back plan view of FIG. 105.  
FIG. 109 is a right plan view of FIG. 105.  
FIG. 110 is a left plan view of FIG. 105.  
FIG. 111 is a top plan view of FIG. 105.  
FIG. 112 is a bottom plan view of FIG. 105.  
FIG. 113 is a front perspective view of a fifteenth embodiment of the firebox.  
FIG. 114 is a back perspective view of FIG. 113.  
FIG. 115 is a front plan view of FIG. 113.  
FIG. 116 is a back plan view of FIG. 113.  
FIG. 117 is a right plan view of FIG. 113.  
FIG. 118 is a left plan view of FIG. 113.  
FIG. 119 is a top plan view of FIG. 113.  
FIG. 120 is a bottom plan view of FIG. 113.  
FIG. 121 is a front perspective view of a sixteenth embodiment of the firebox.  
FIG. 122 is a back perspective view of FIG. 121.  
FIG. 123 is a front plan view of FIG. 121.  
FIG. 124 is a back plan view of FIG. 121.  
FIG. 125 is a right plan view of FIG. 121.  
FIG. 126 is a left plan view of FIG. 121.  
FIG. 127 is a top plan view of FIG. 121.  
FIG. 128 is a bottom plan view of FIG. 121.  
FIG. 129 is a front perspective view of a seventeenth embodiment of the firebox.  
FIG. 130 is a back perspective view of FIG. 129.  
FIG. 131 is a front plan view of FIG. 129.  
FIG. 132 is a back plan view of FIG. 129.  
FIG. 133 is a right plan view of FIG. 129.  
FIG. 134 is a left plan view of FIG. 129.  
FIG. 135 is a top plan view of FIG. 129.  
FIG. 136 is a bottom plan view of FIG. 129.  
FIG. 137 is a front perspective view of an eighteenth embodiment of the firebox.  
FIG. 138 is a back perspective view of FIG. 137.  
FIG. 139 is a front plan view of FIG. 137.  
FIG. 140 is a back plan view of FIG. 137.  
FIG. 141 is a right plan view of FIG. 137.  
FIG. 142 is a left plan view of FIG. 137.  
FIG. 143 is a top plan view of FIG. 137.  
FIG. 144 is a bottom plan view of FIG. 137.  
FIG. 145 is a front perspective view of a nineteenth embodiment of the firebox.  
FIG. 146 is a back perspective view of FIG. 145.  
FIG. 147 is a front plan view of FIG. 145.  
FIG. 148 is a back plan view of FIG. 145.  
FIG. 149 is a right plan view of FIG. 145.  
FIG. 150 is a left plan view of FIG. 145.  
FIG. 151 is a top plan view of FIG. 145.  
FIG. 152 is a bottom plan view of FIG. 145.  
FIG. 153 is a front perspective view of a twentieth embodiment of the firebox.  
FIG. 154 is a back perspective view of FIG. 153.  
FIG. 155 is a front plan view of FIG. 153.  
FIG. 156 is a back plan view of FIG. 153.  
FIG. 157 is a right plan view of FIG. 153.  
FIG. 158 is a left plan view of FIG. 153.



FIG. 159 is a top plan view of FIG. 153; and,  
FIG. 160 is a bottom plan view of FIG. 153.  
The broken line showing is included for the purpose of illustrating portions of the article and forms no part of the claimed design.

**1 Claim, 160 Drawing Sheets**

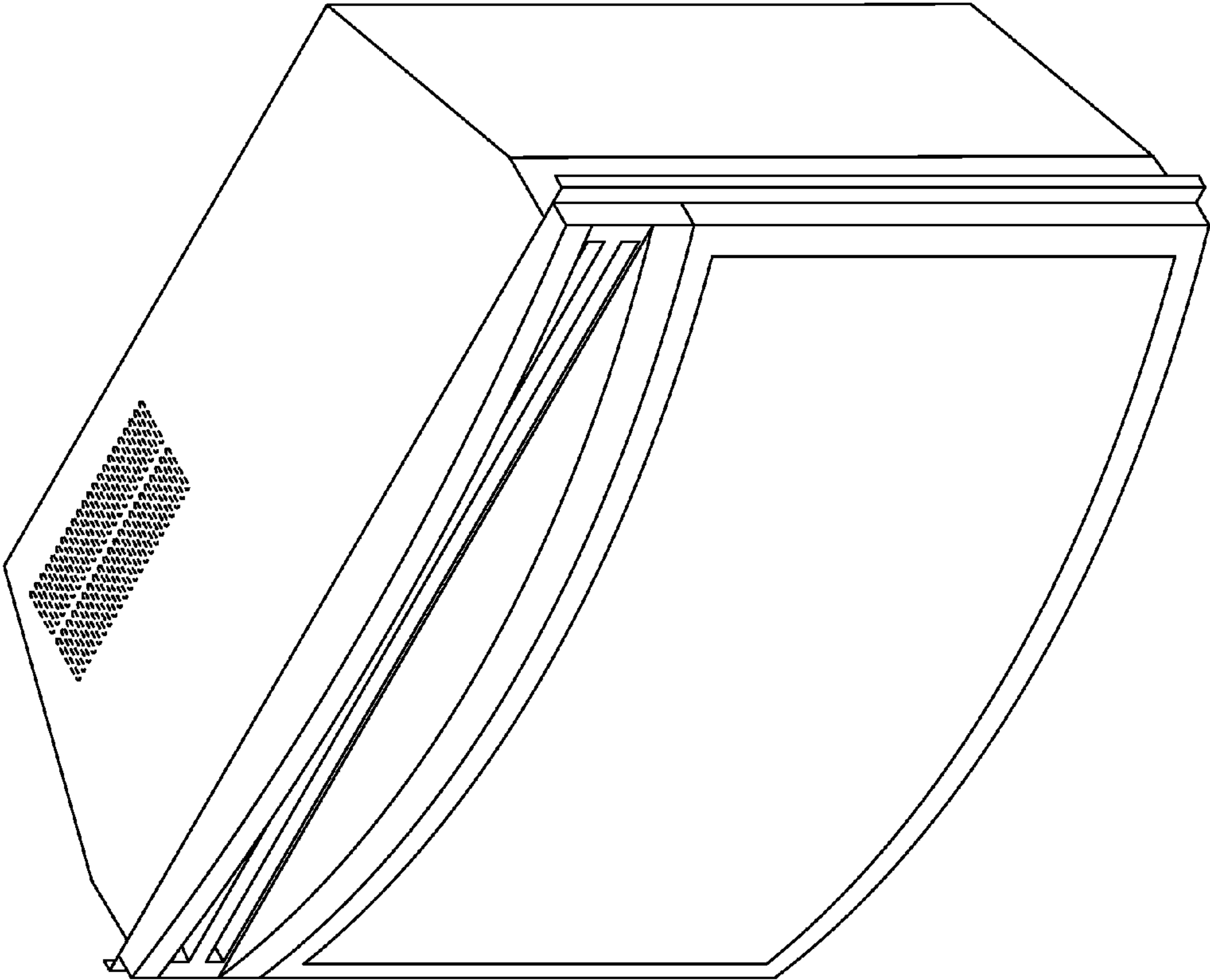


FIG. 1

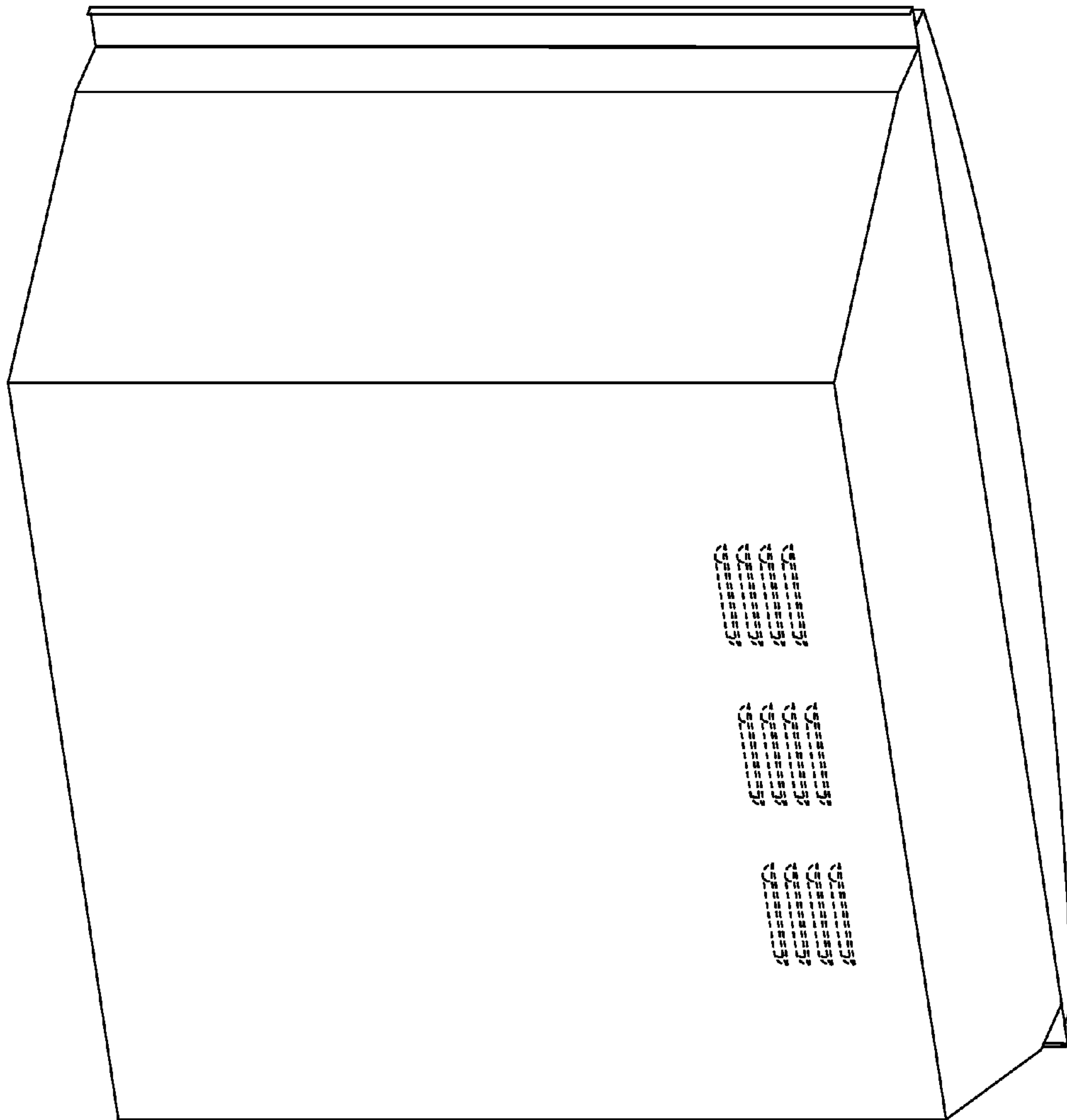


FIG. 2

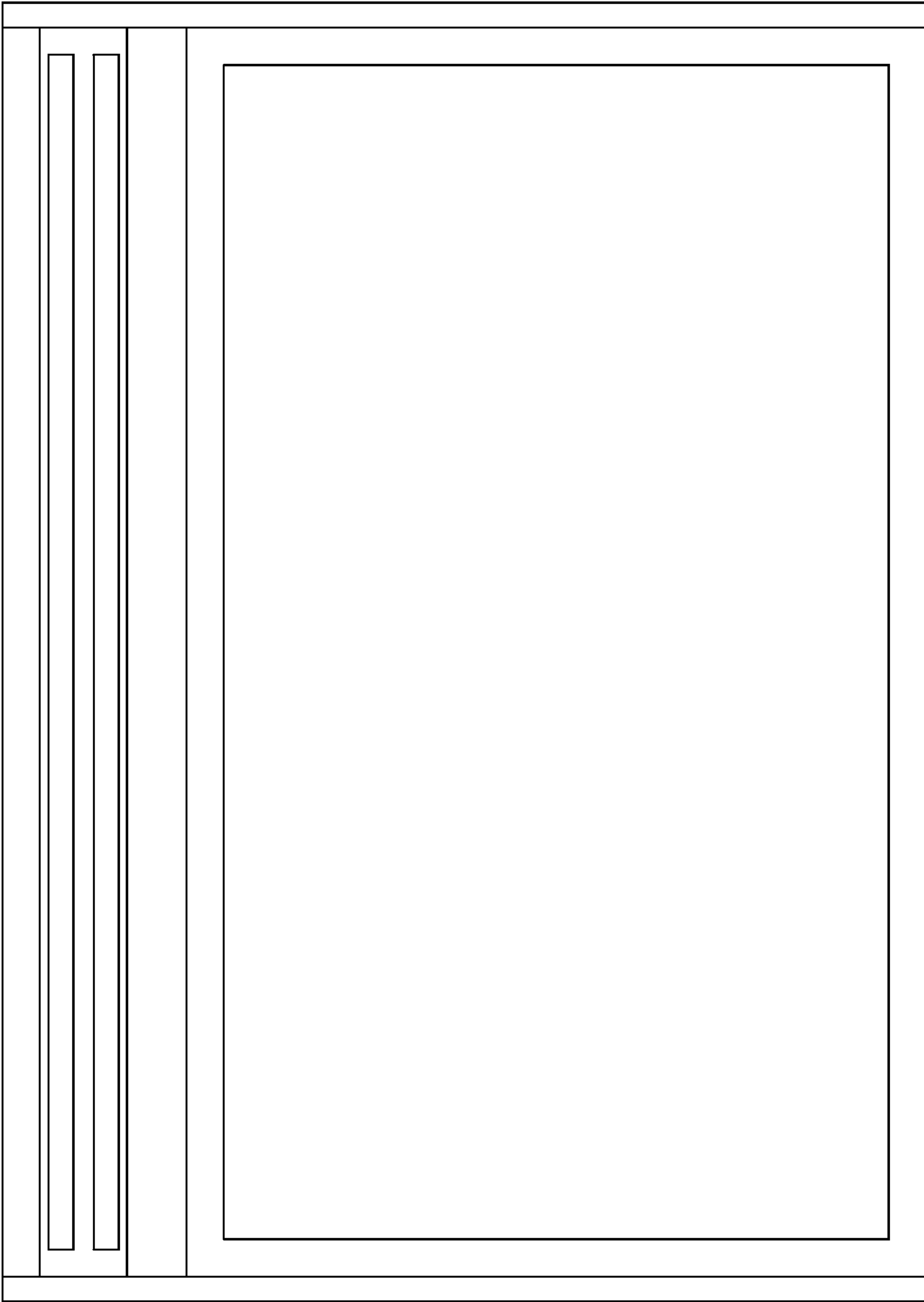


FIG. 3

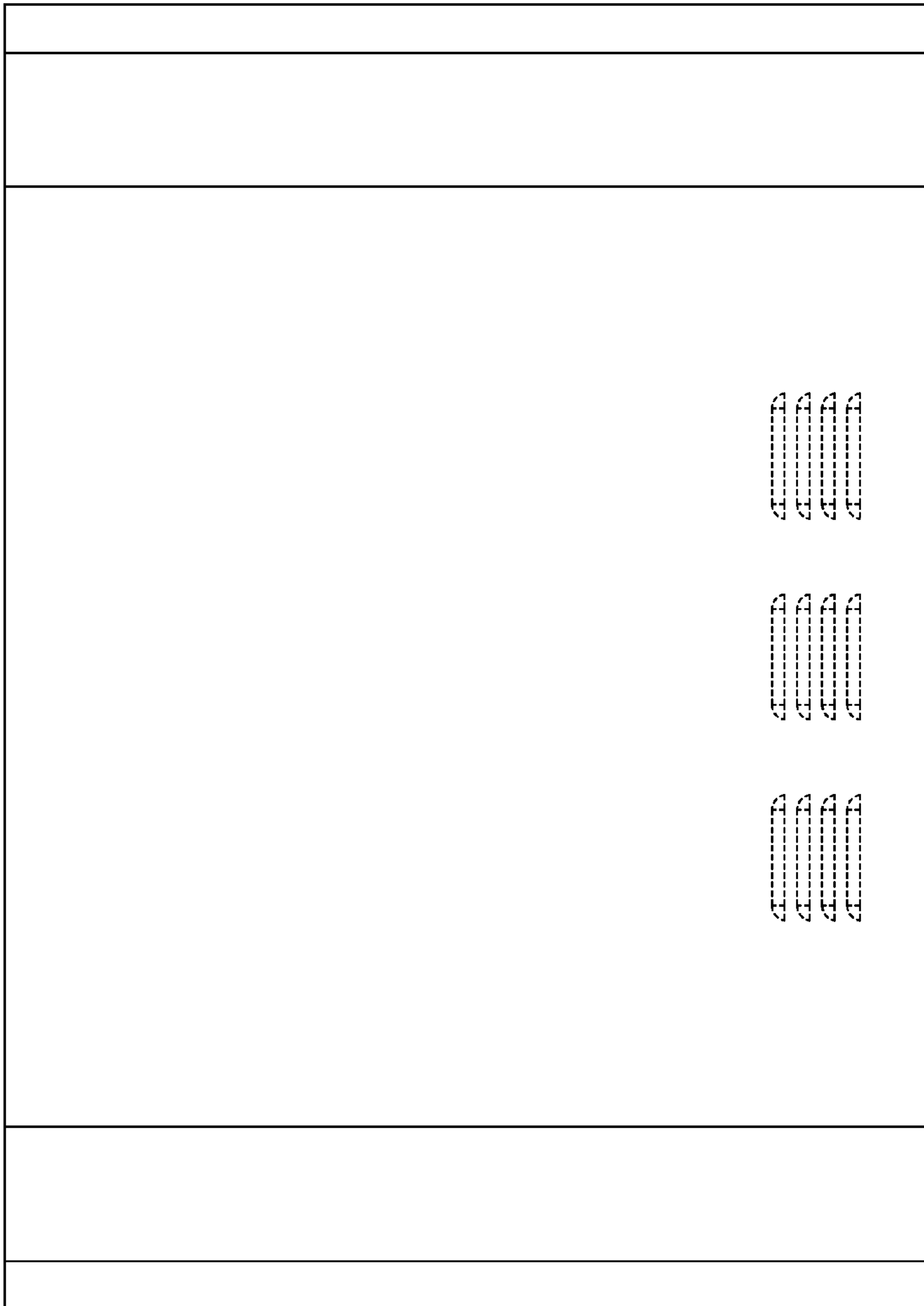


FIG. 4

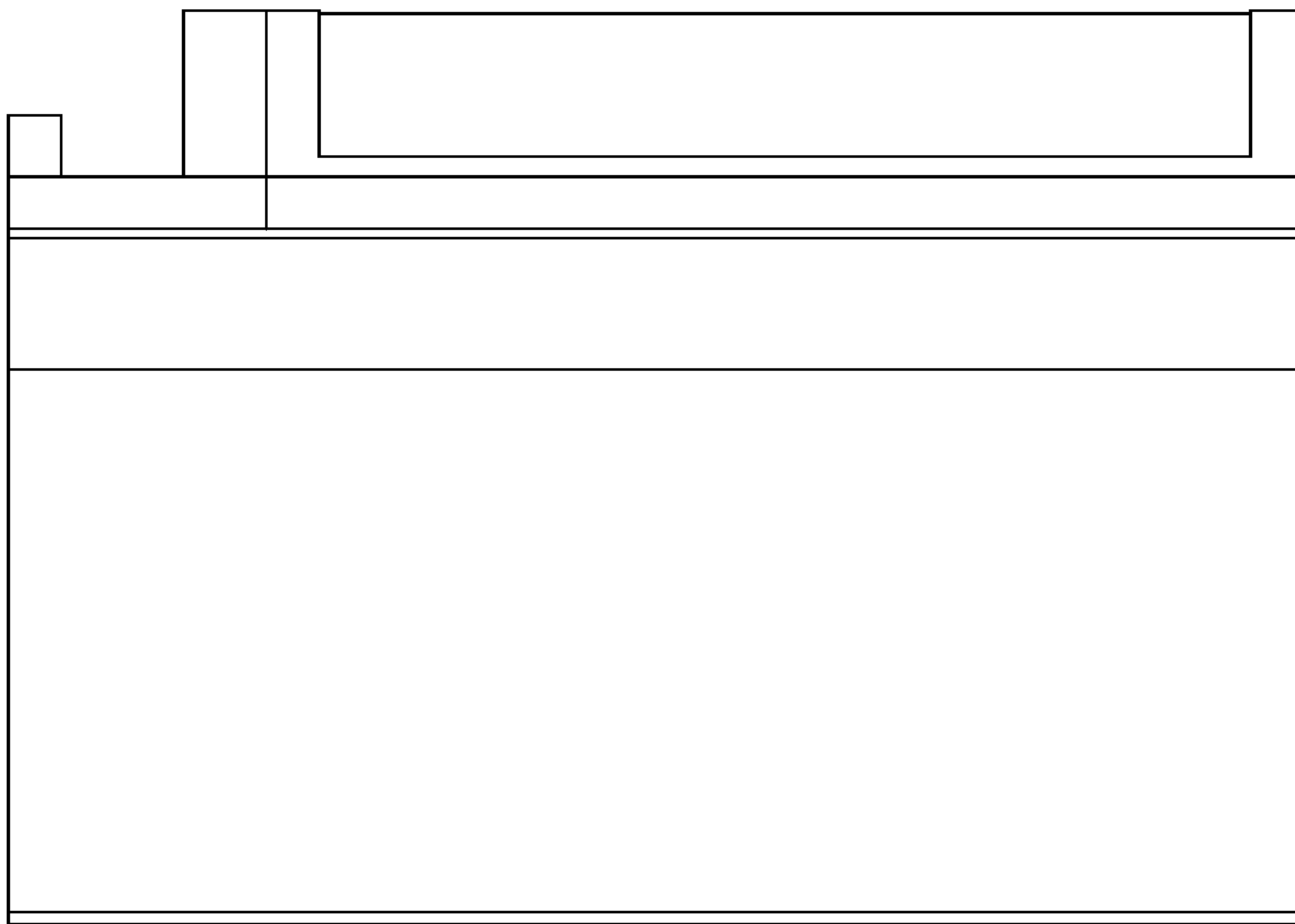


FIG. 5

1000



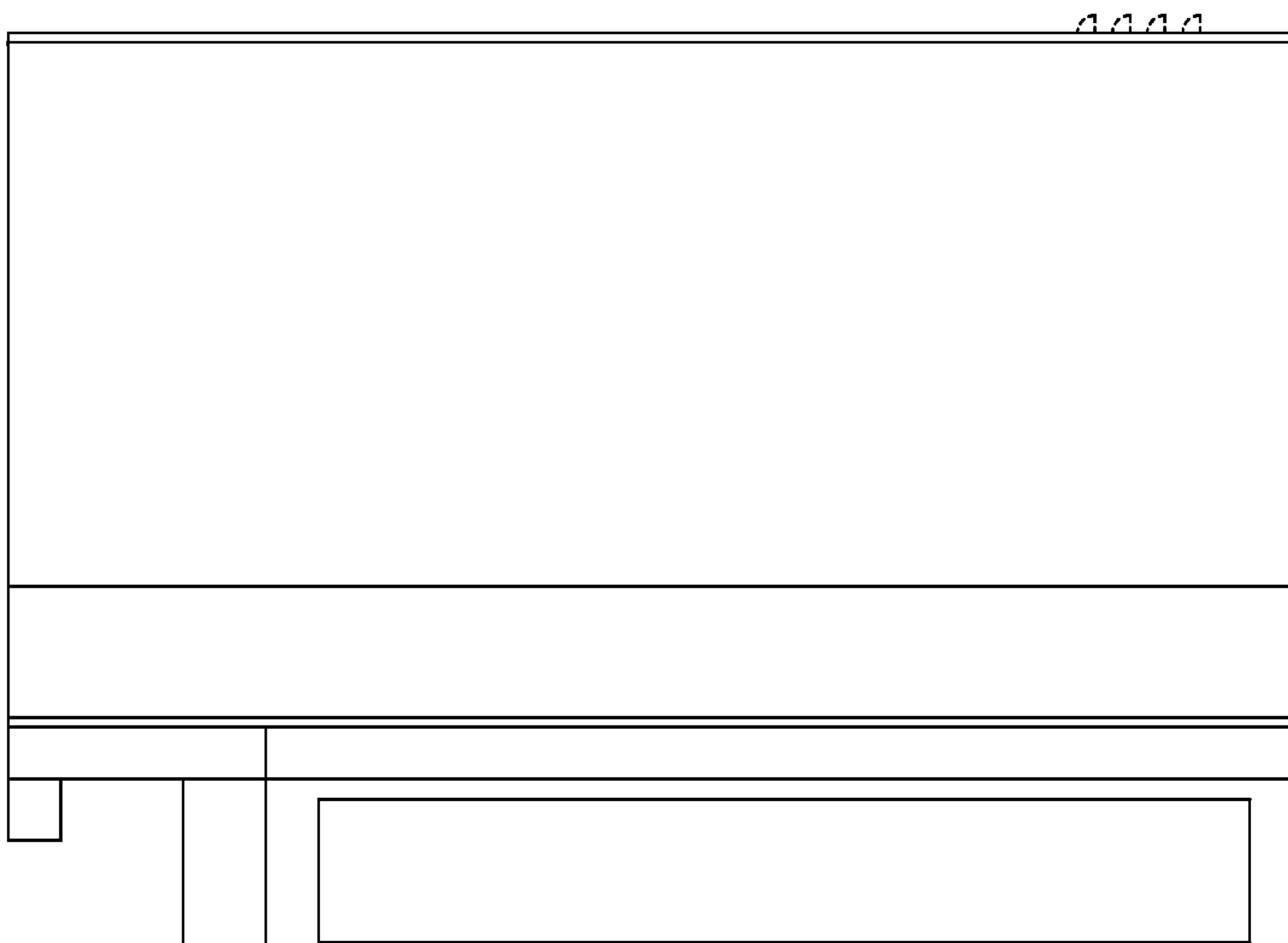


FIG. 6

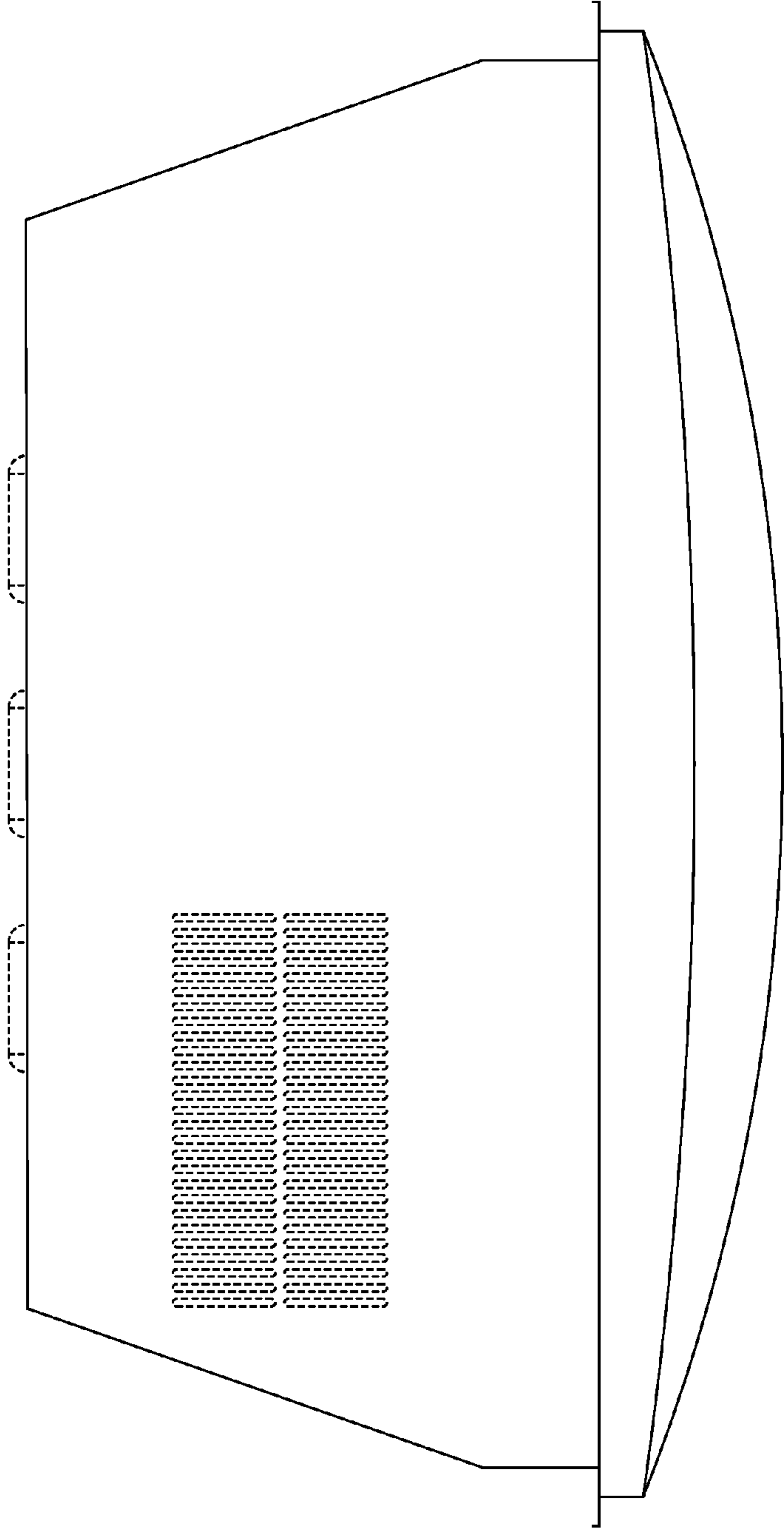


FIG. 7

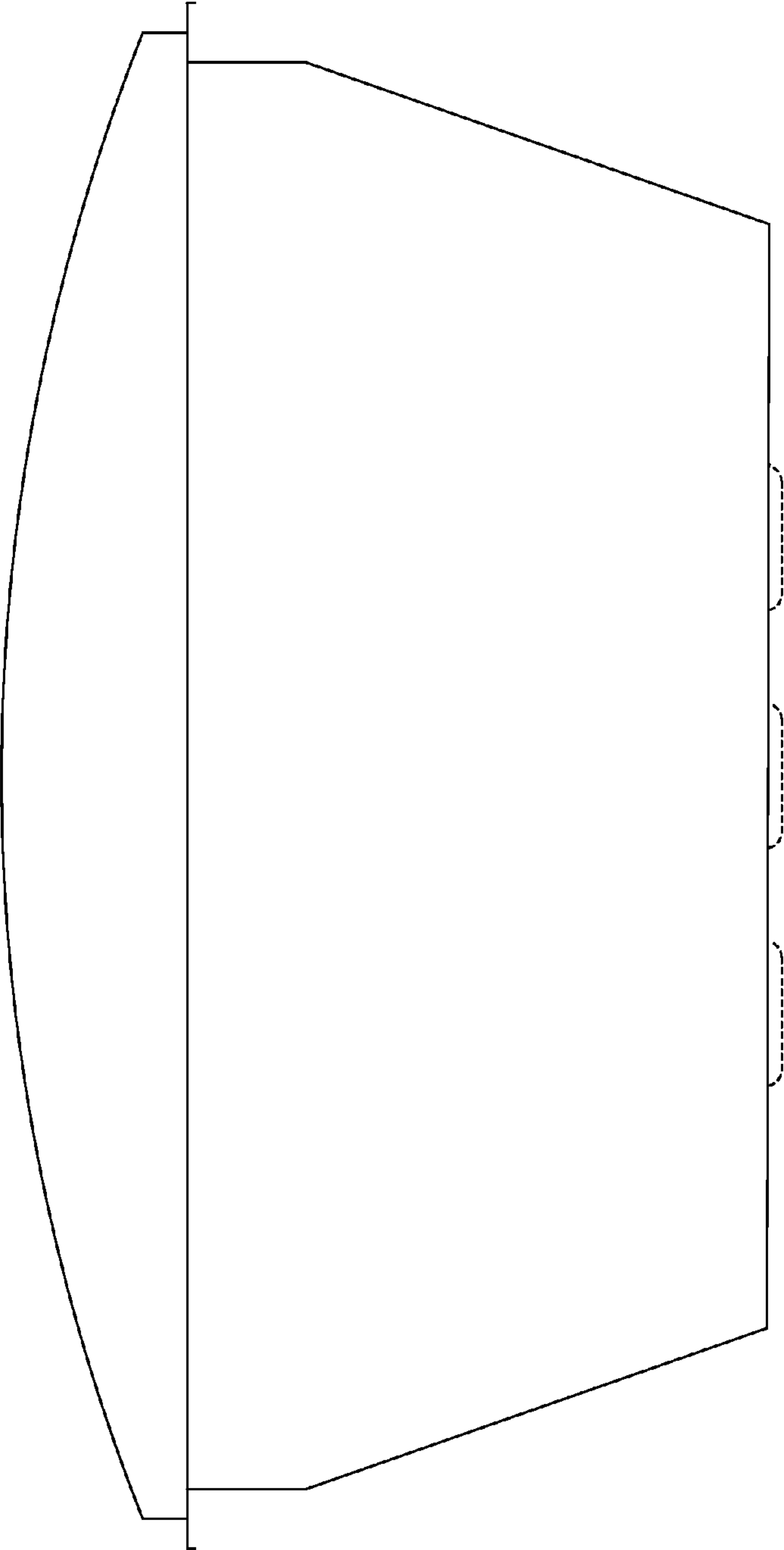


FIG. 8

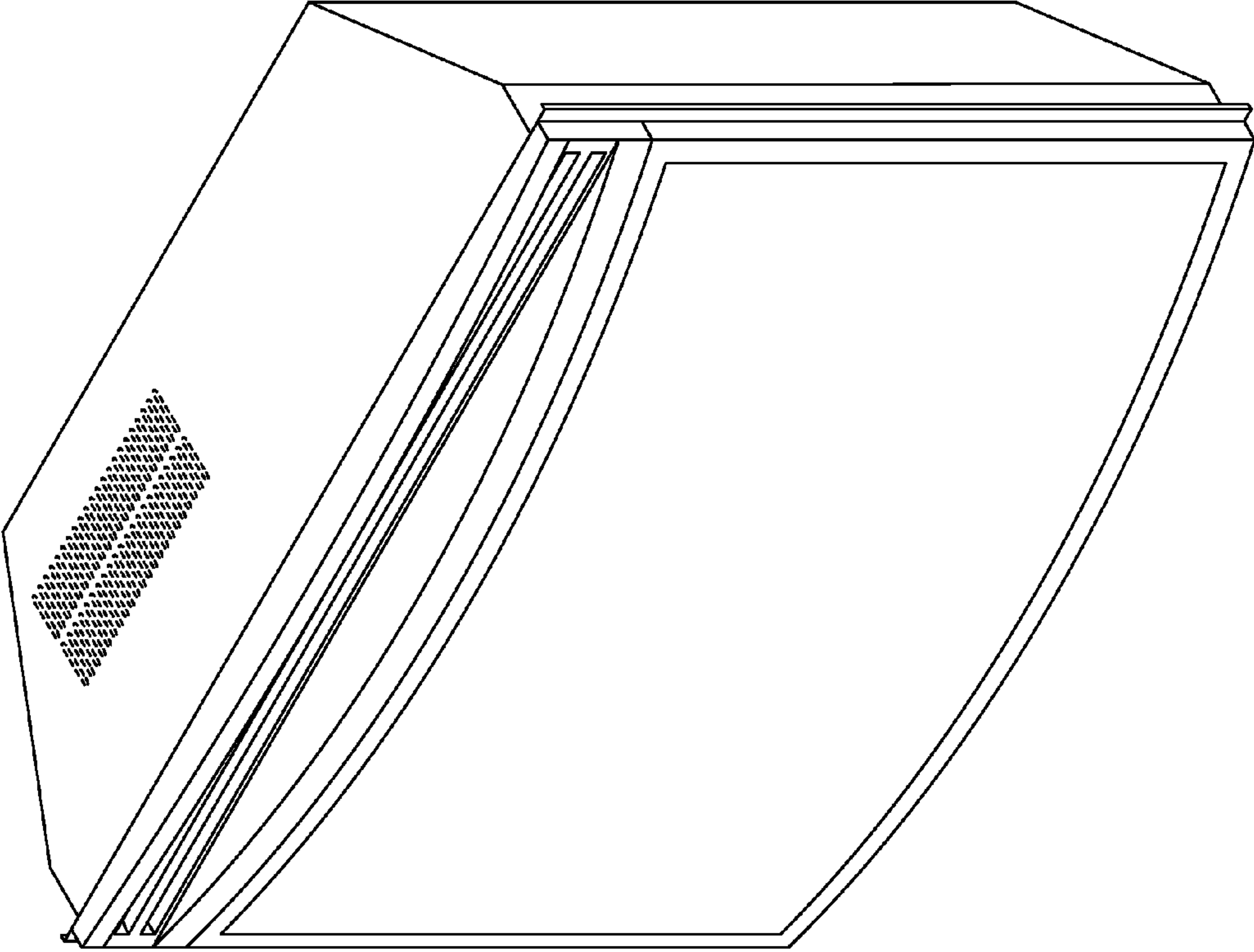


FIG. 9

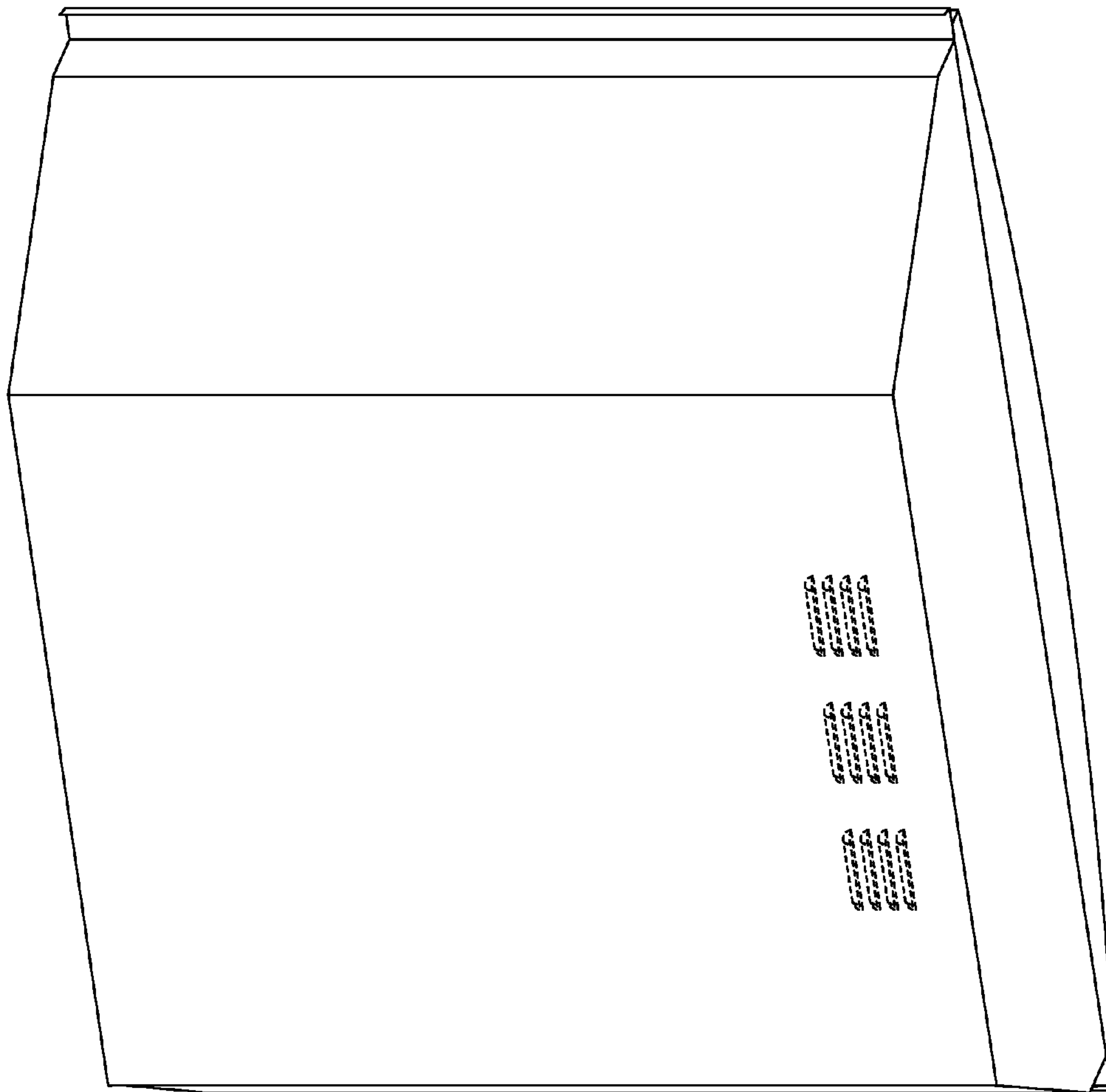


FIG. 10



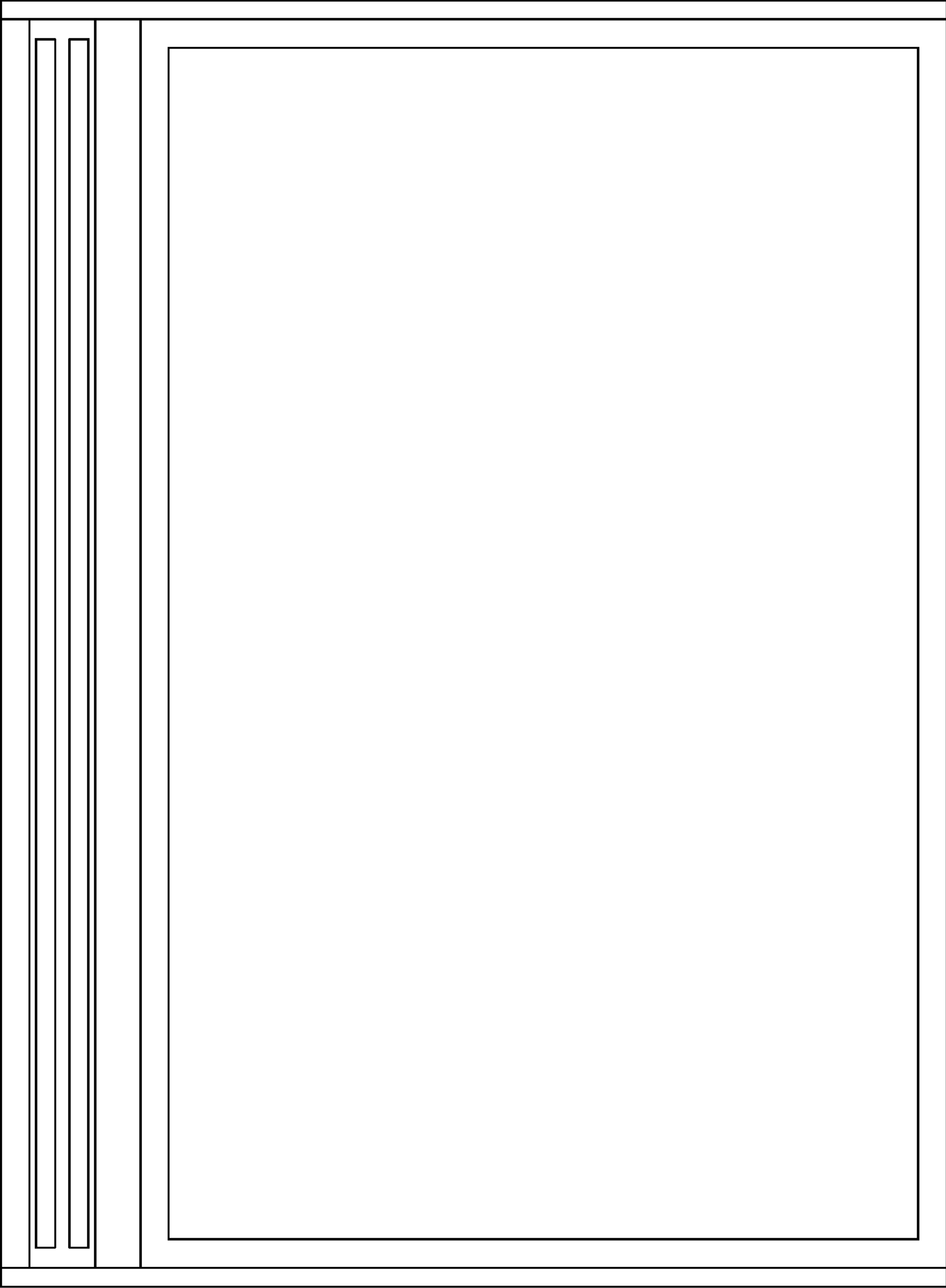


FIG. 11

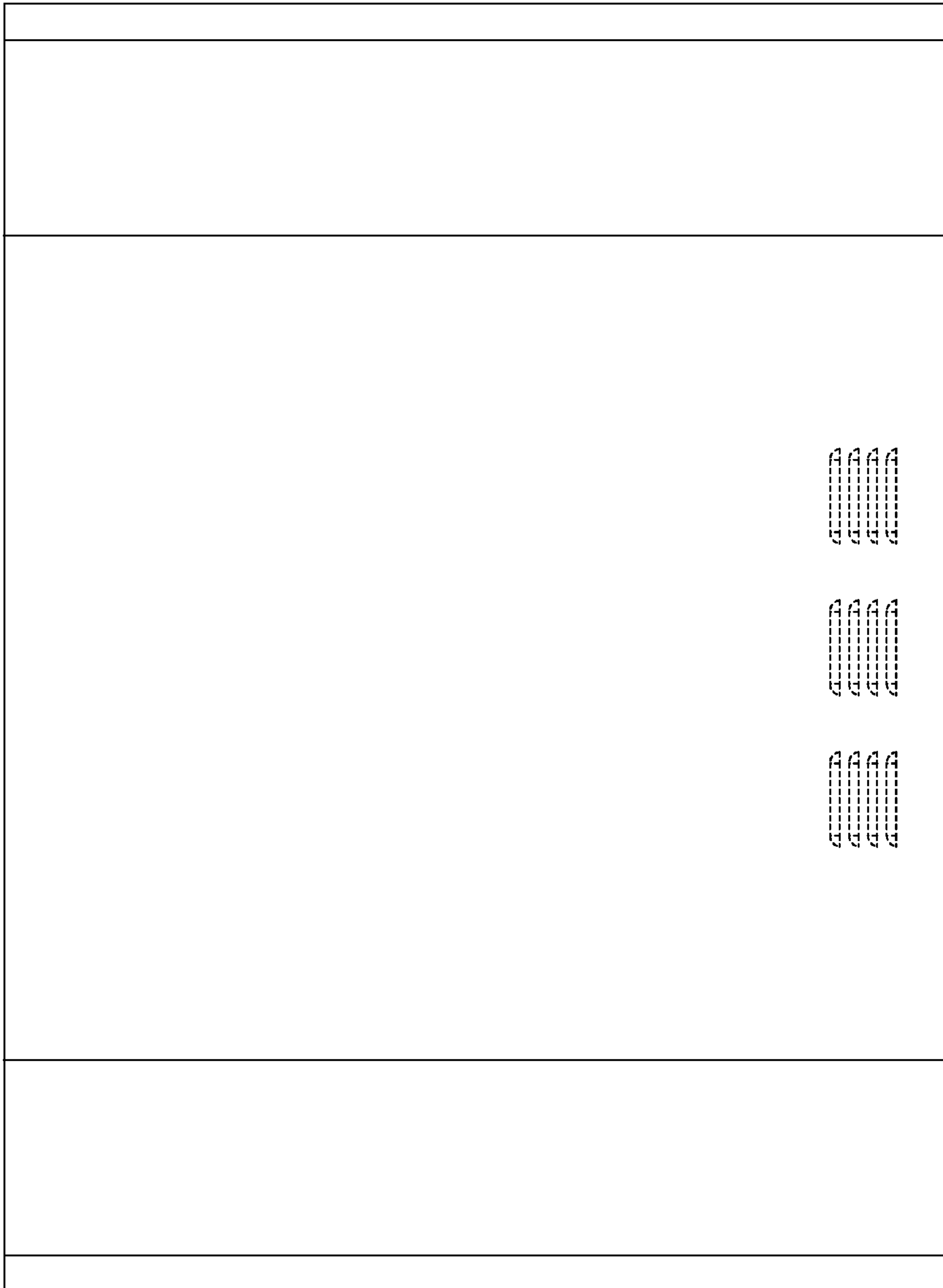


FIG. 12

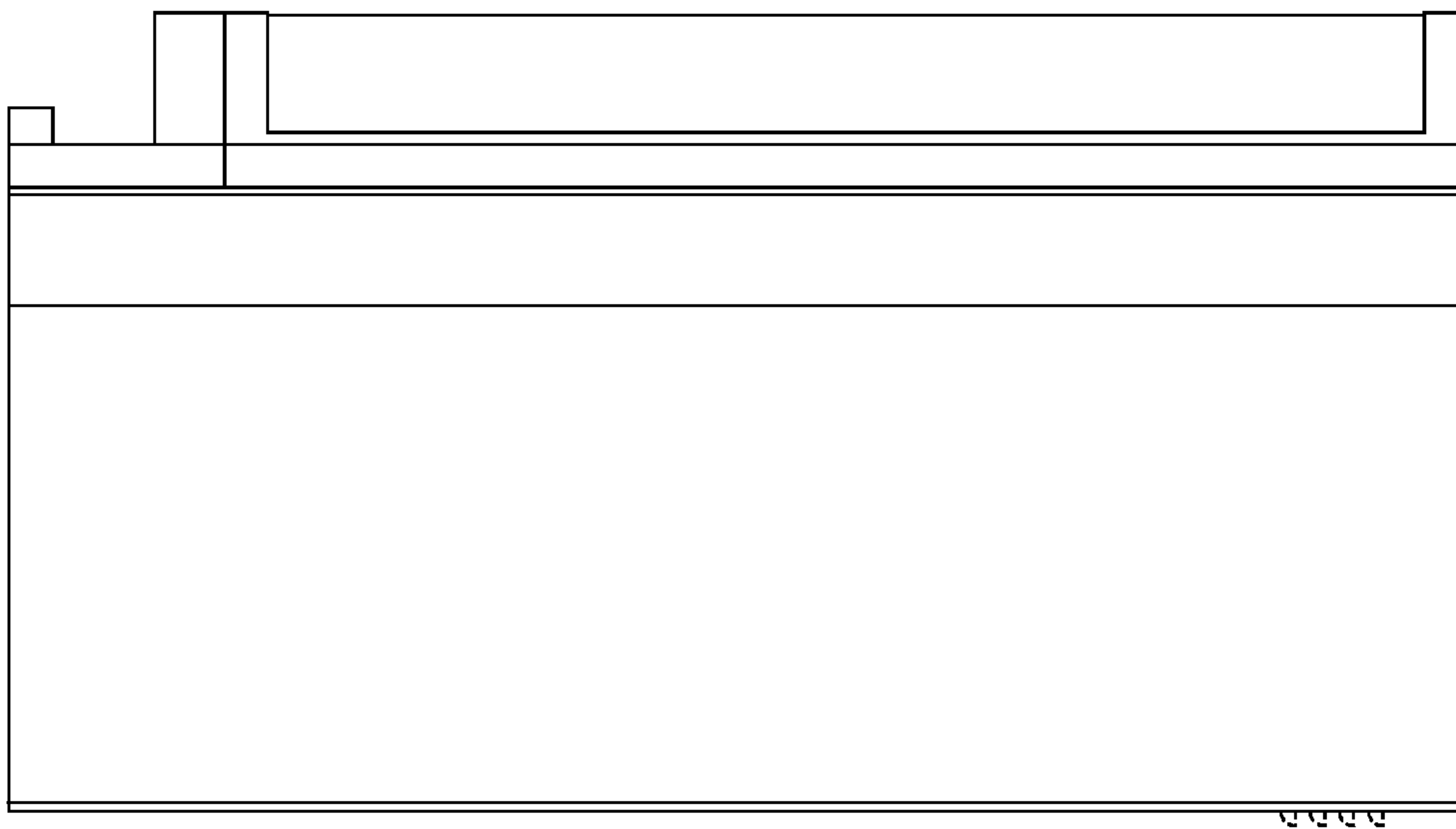


FIG. 13

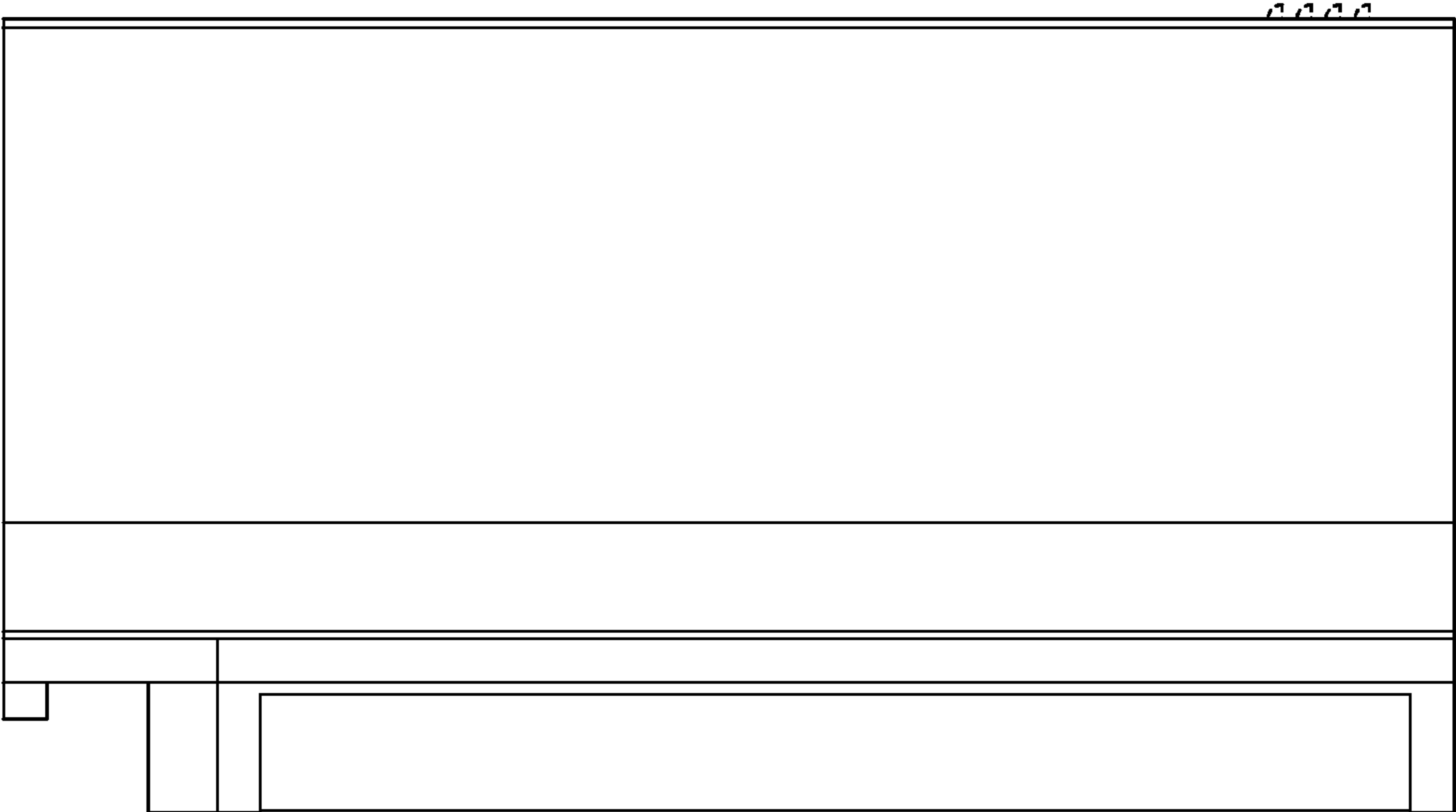


FIG. 14

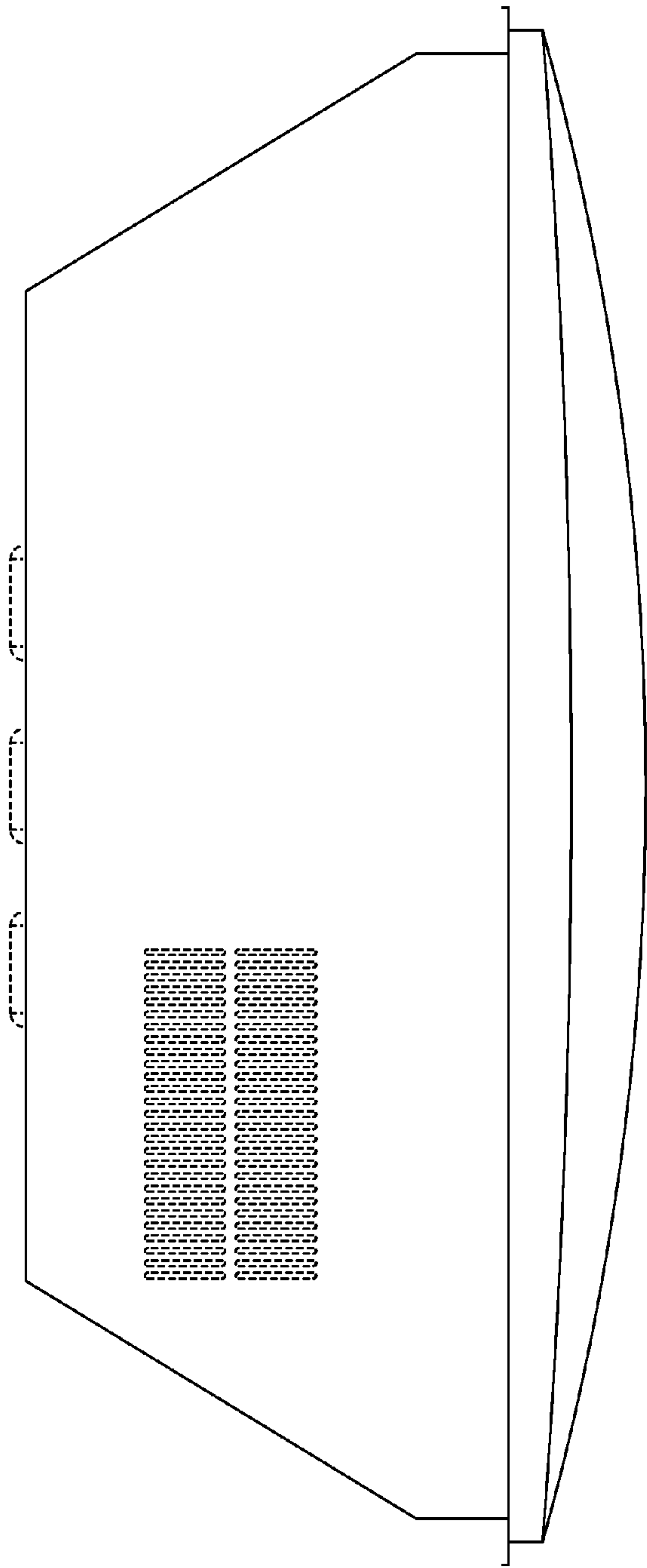


FIG. 15



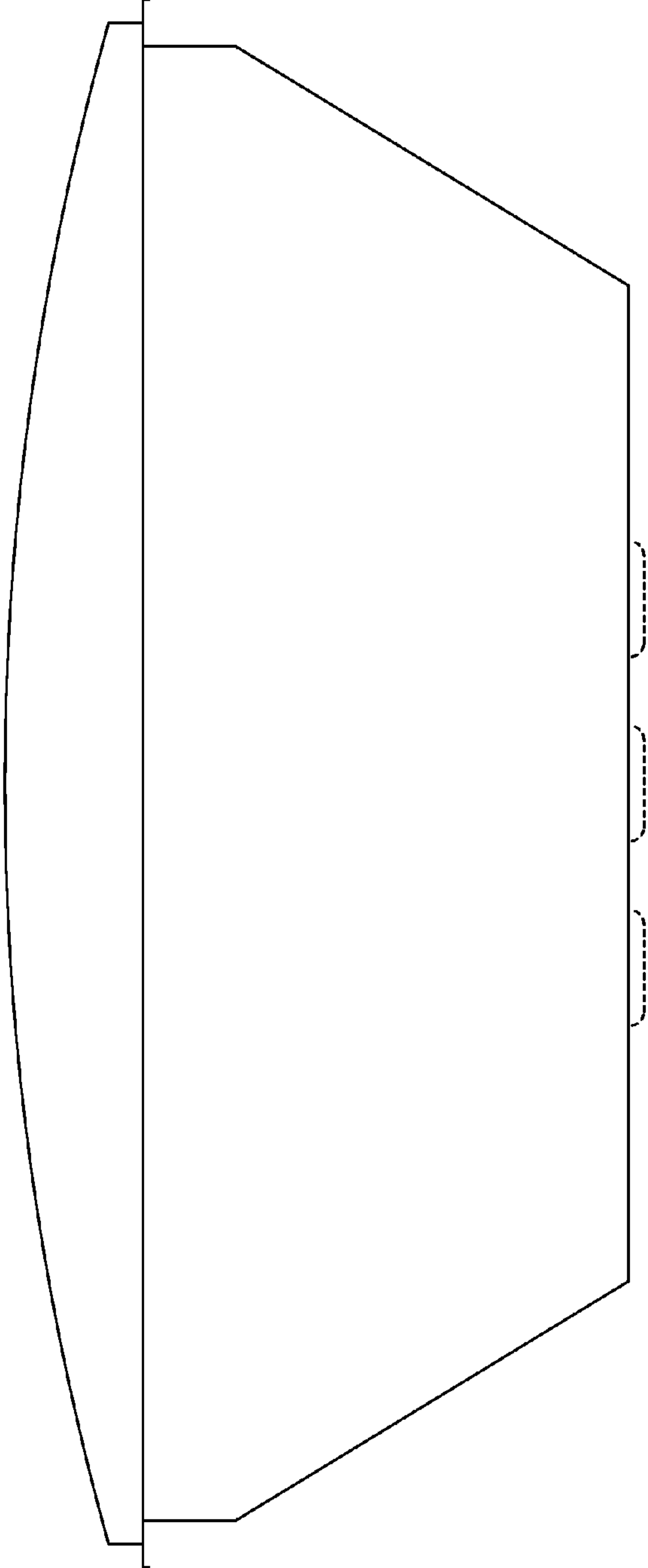


FIG. 16

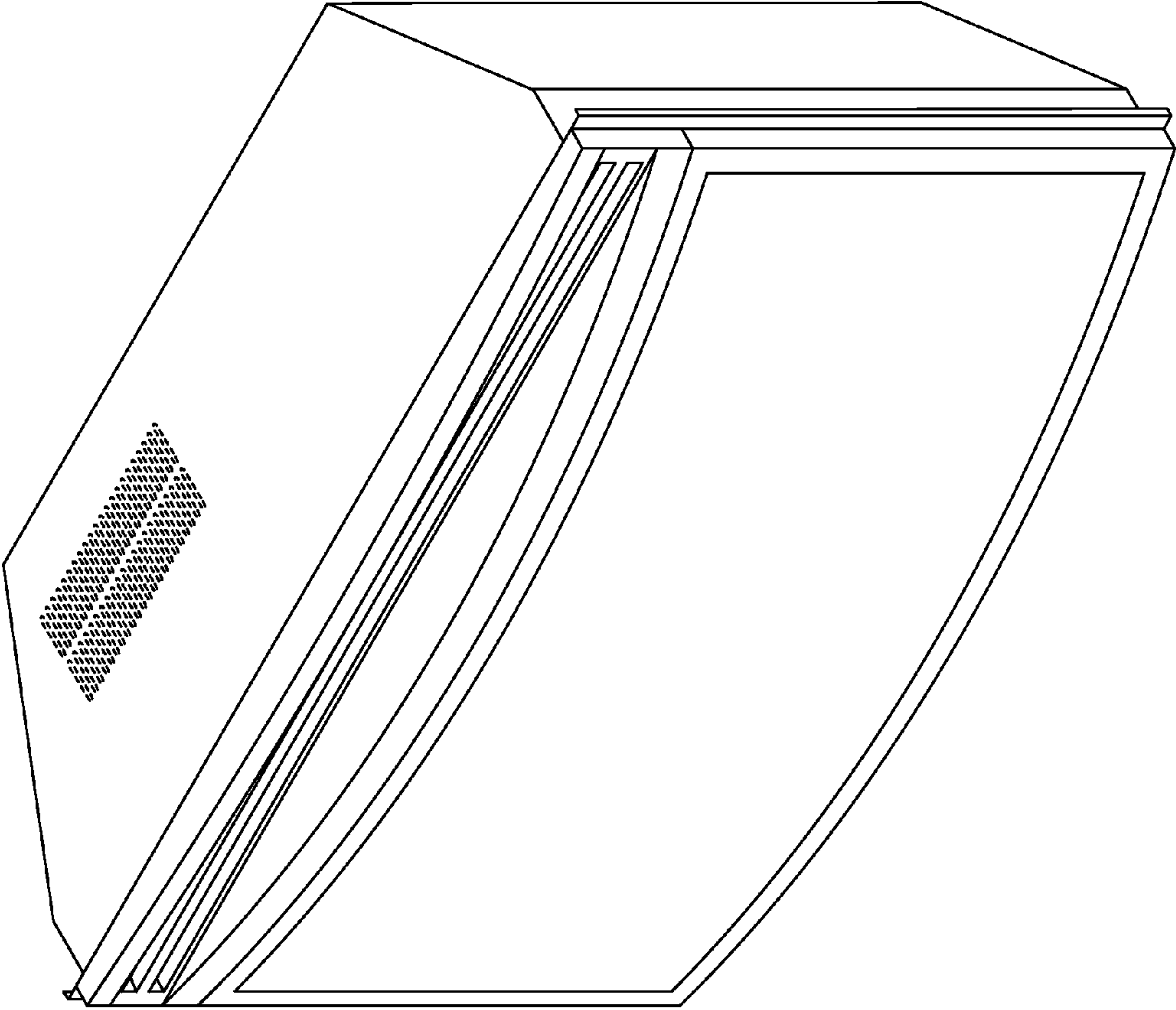


FIG. 17

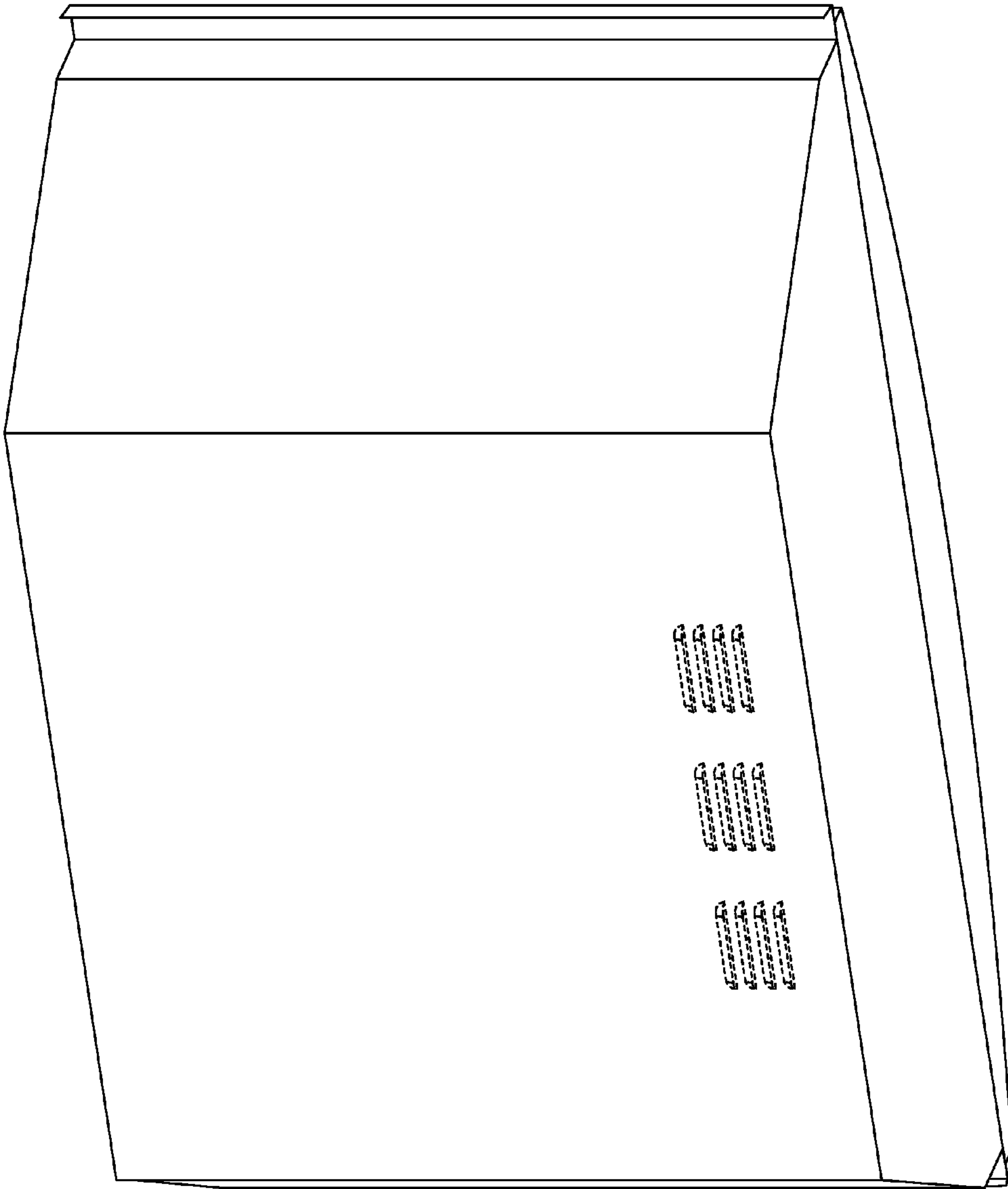


FIG. 18

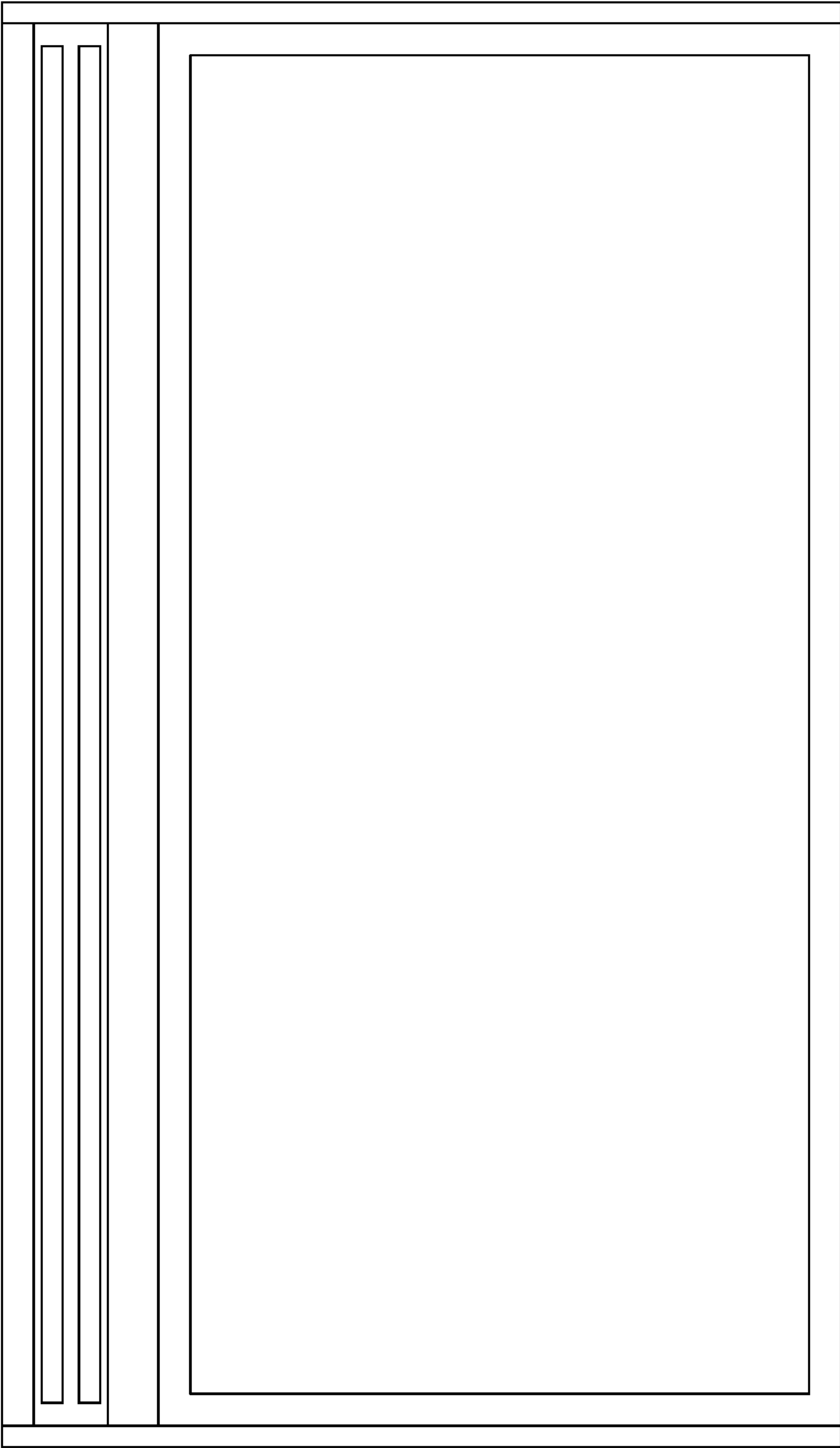


FIG. 19

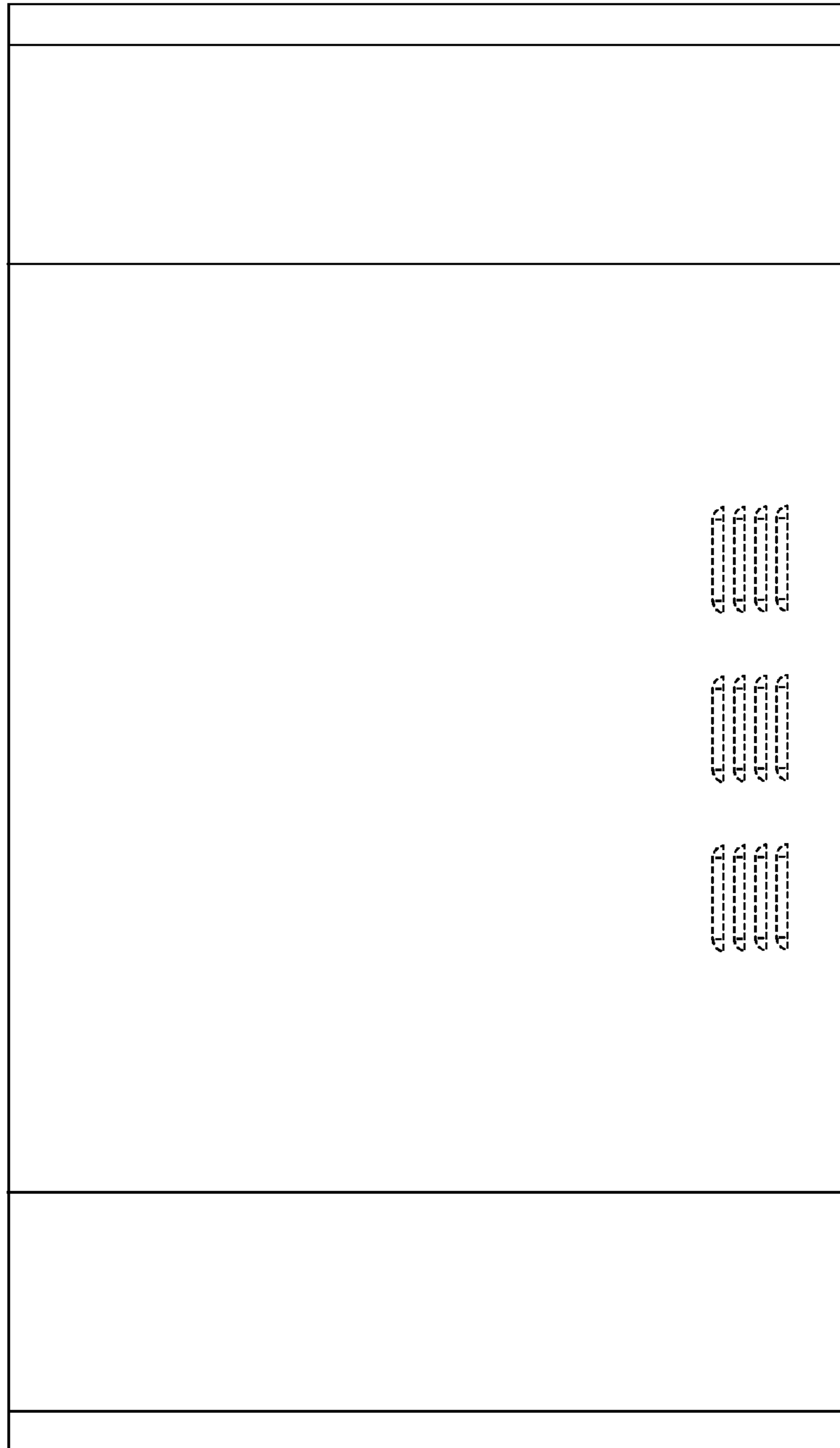


FIG. 20





FIG. 21

FIG. 21

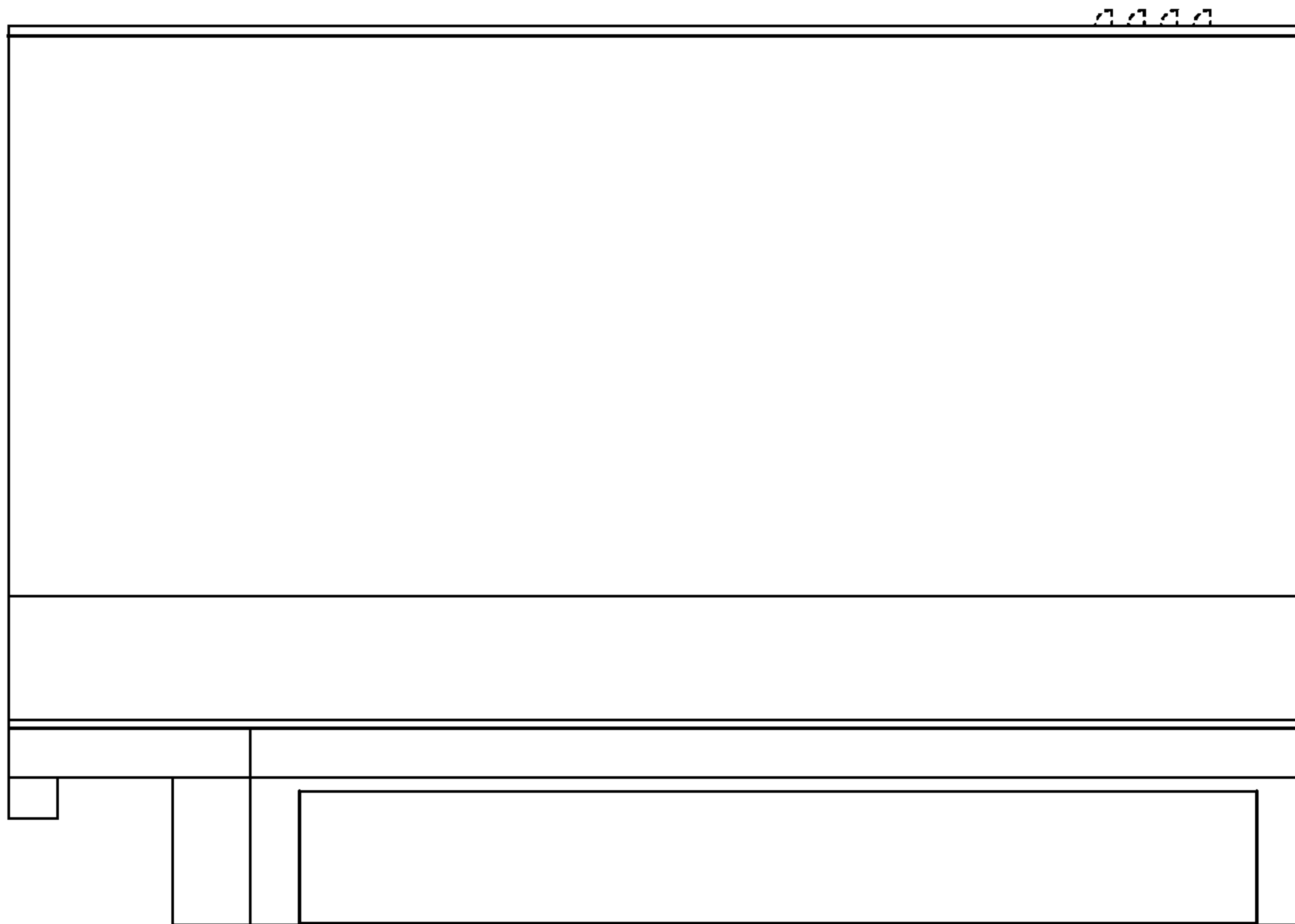


FIG. 22

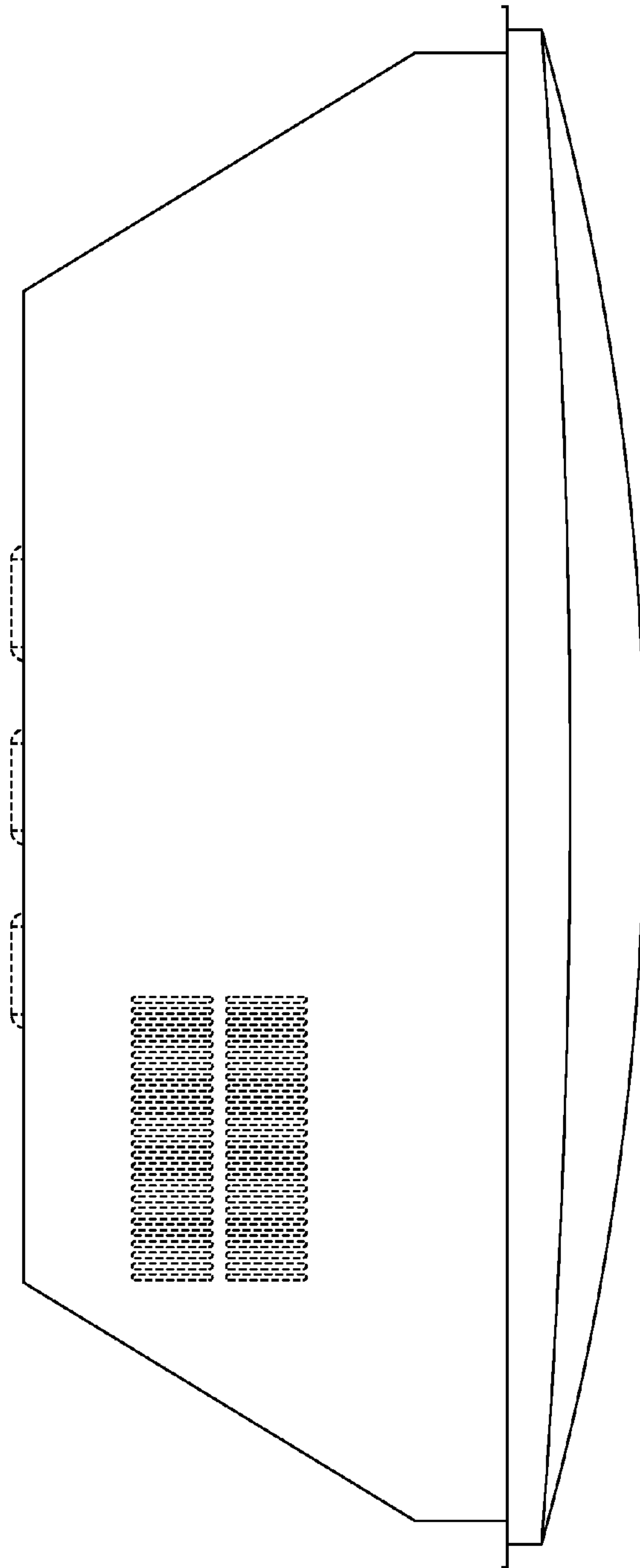


FIG. 23

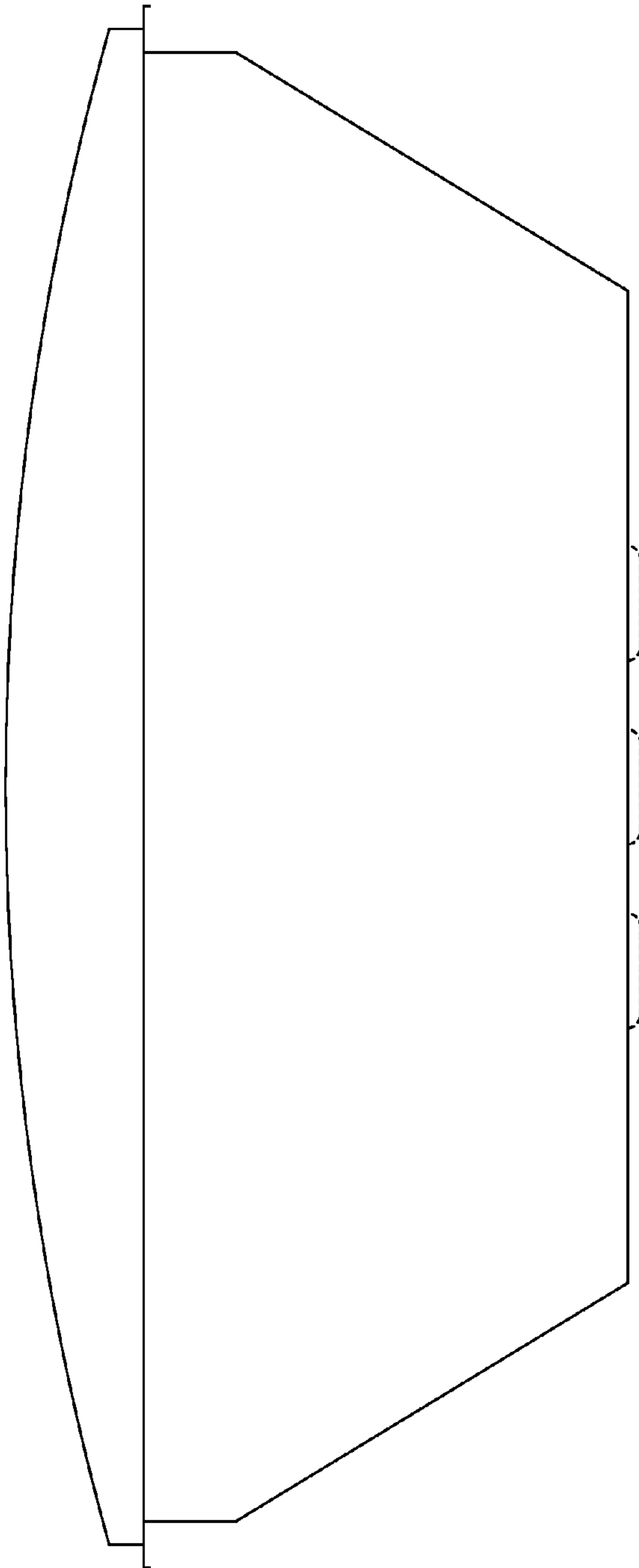


FIG. 24

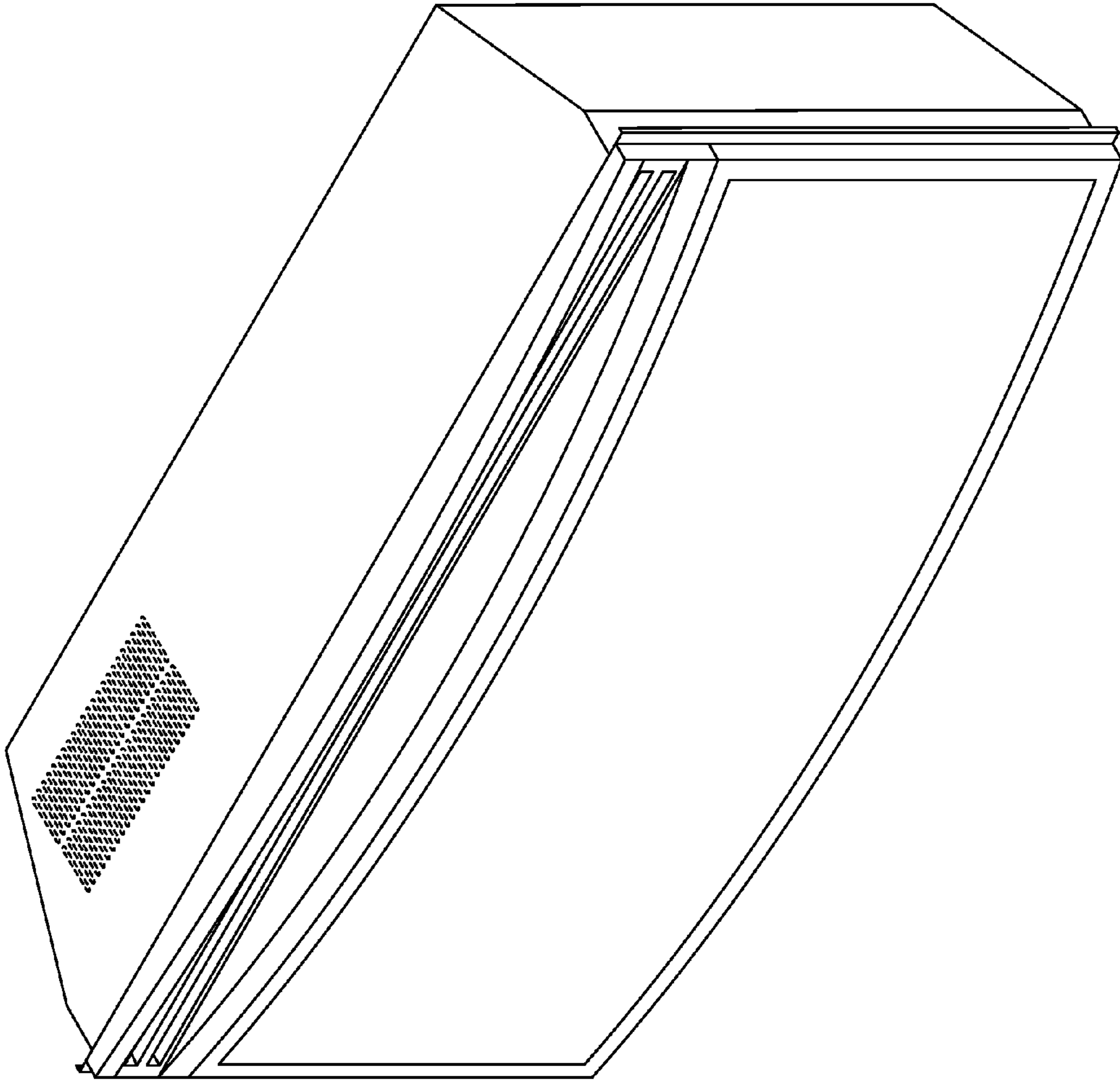


FIG. 25



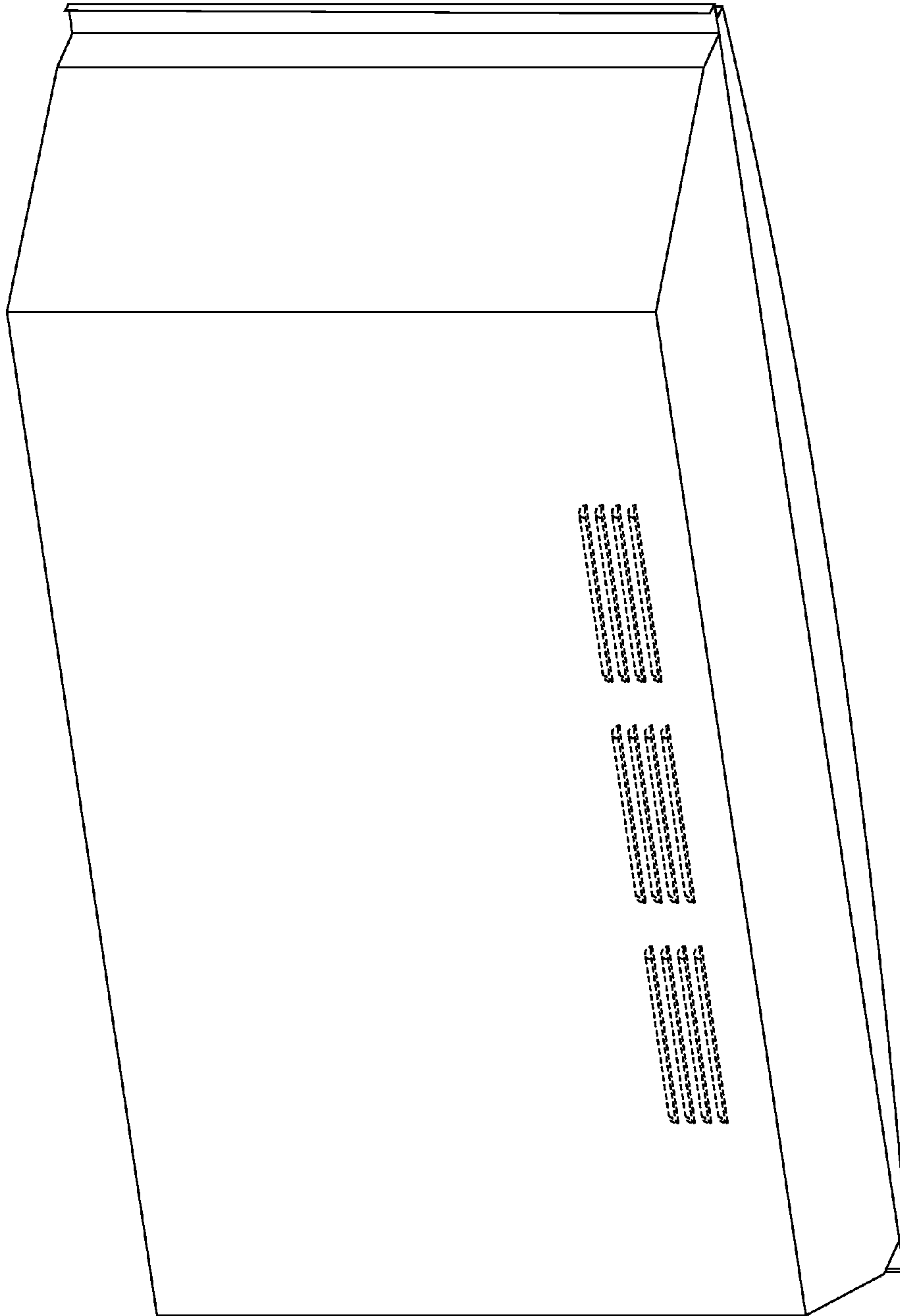


FIG. 26

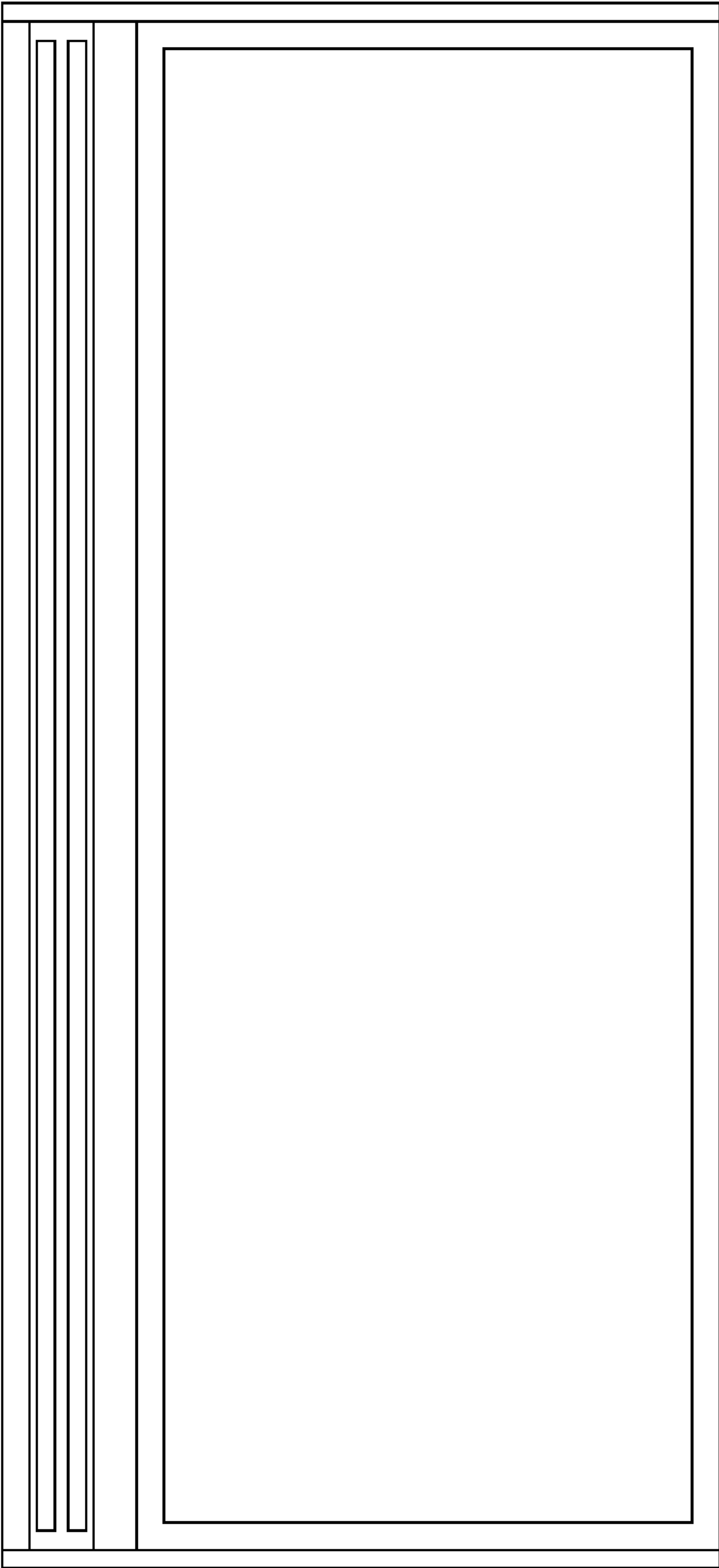


FIG. 27

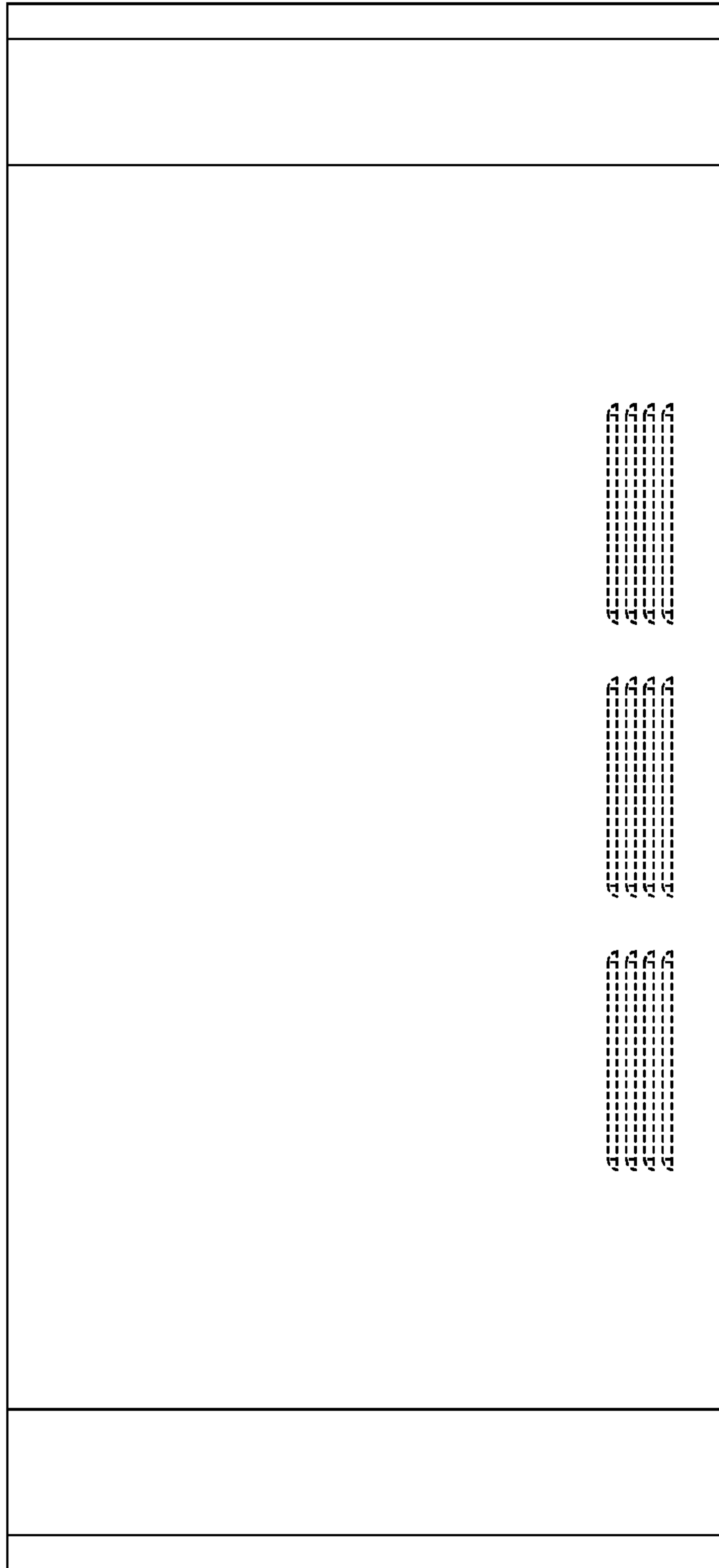


FIG. 28

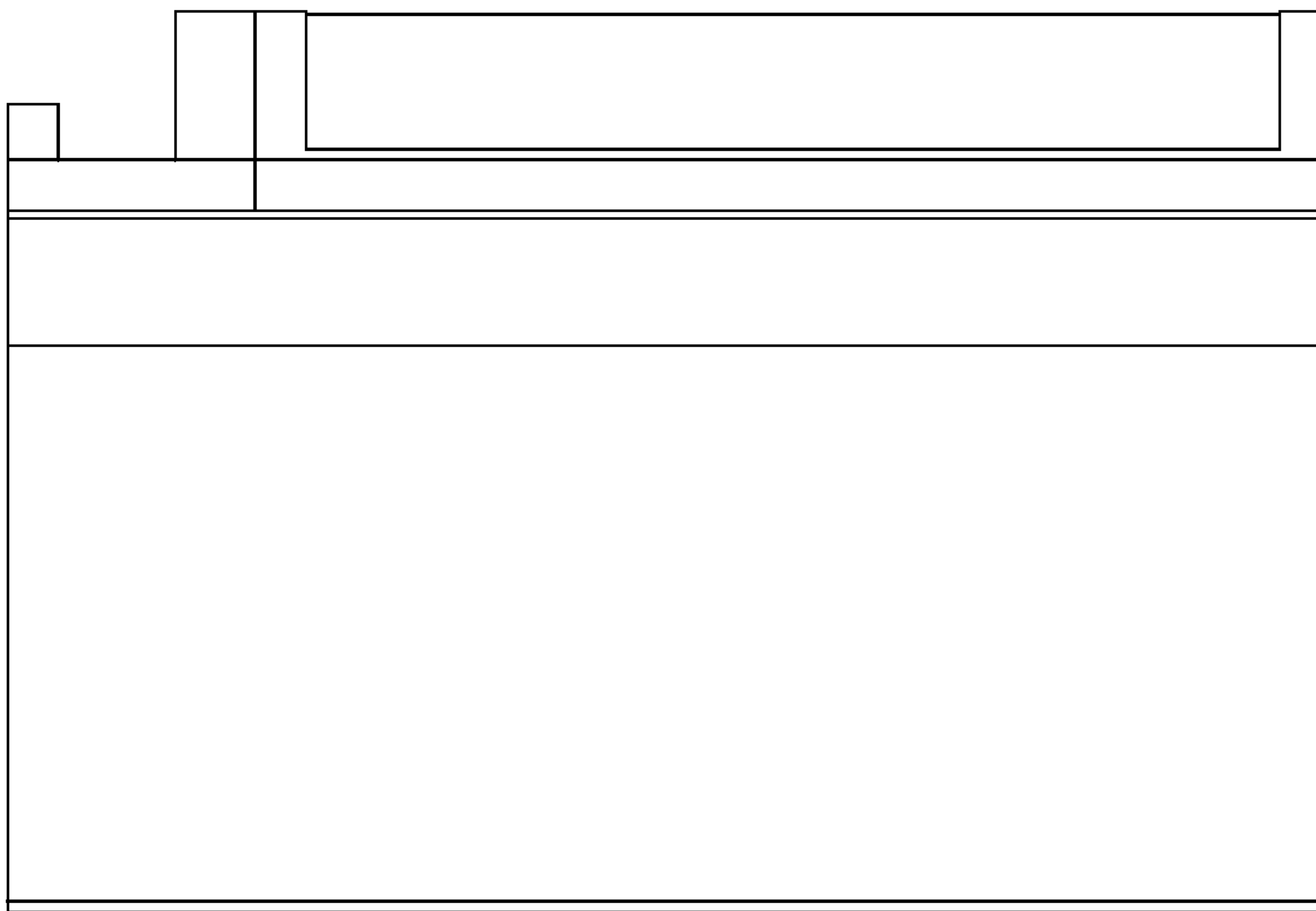


FIG. 29

2000

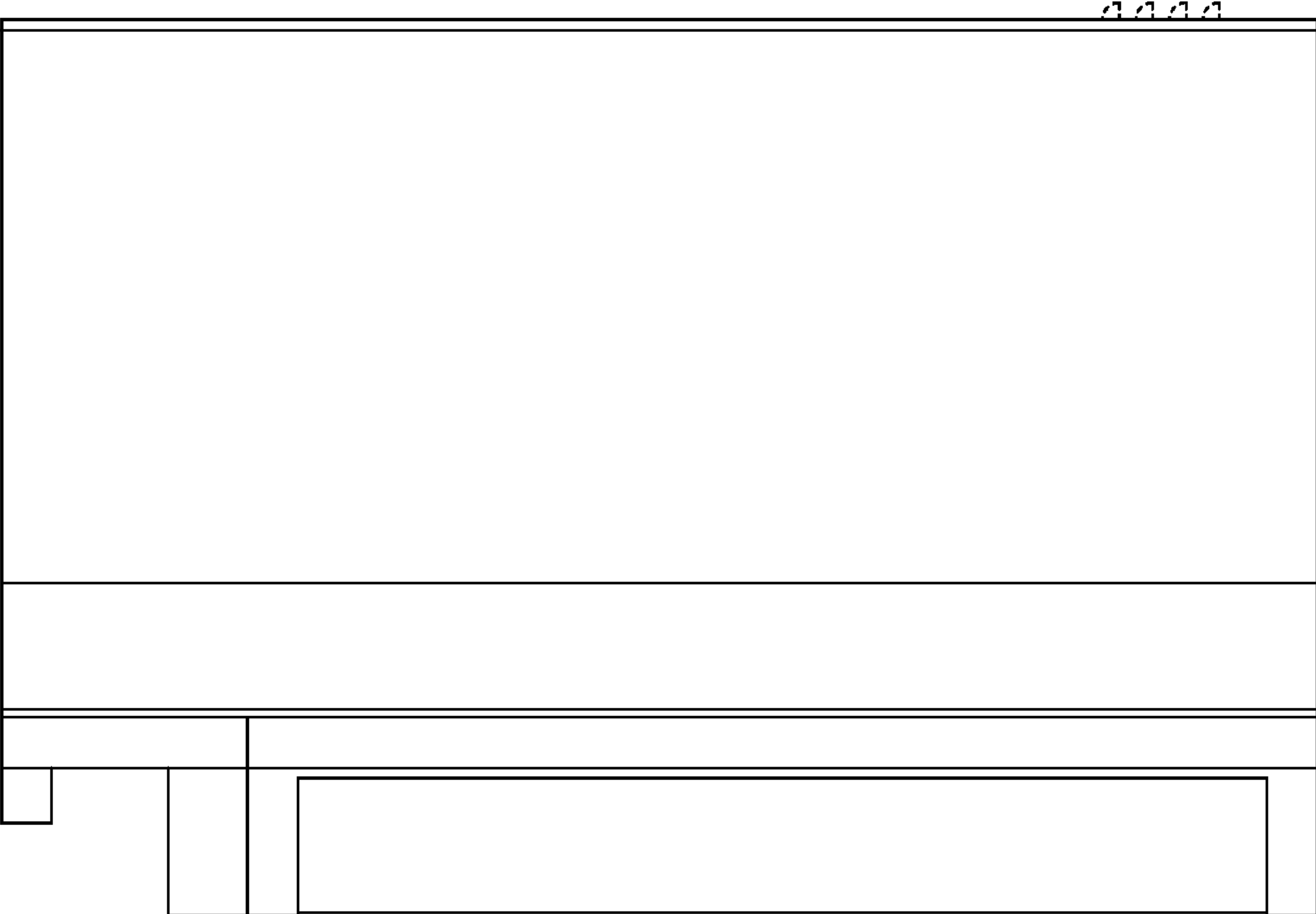


FIG. 30

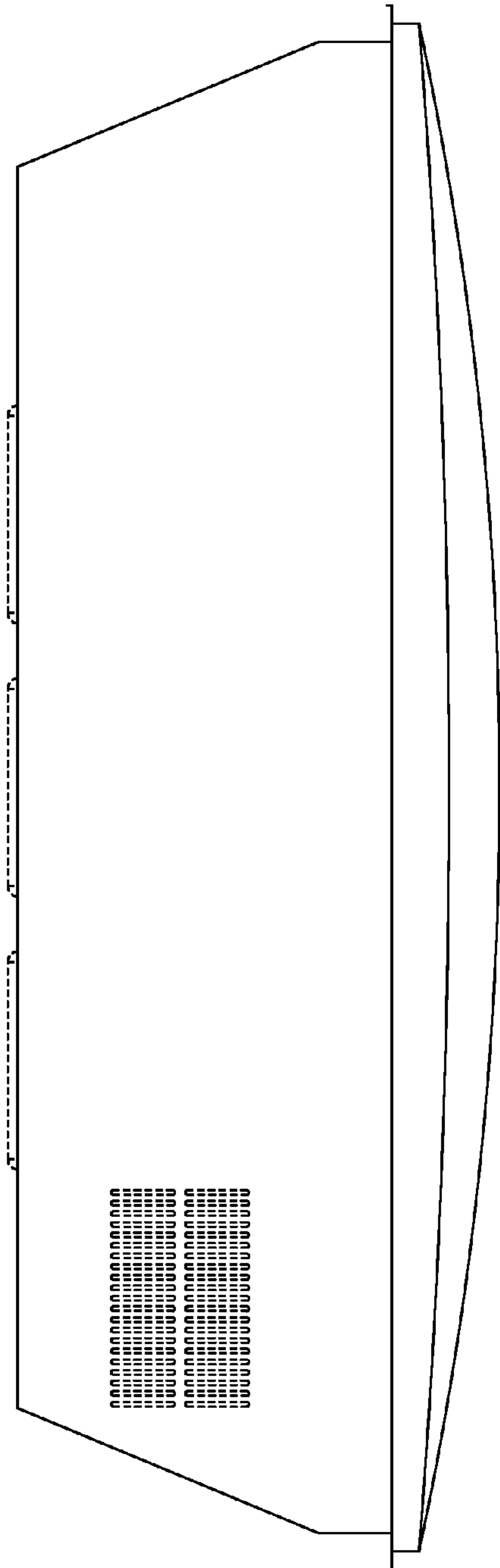


FIG. 31

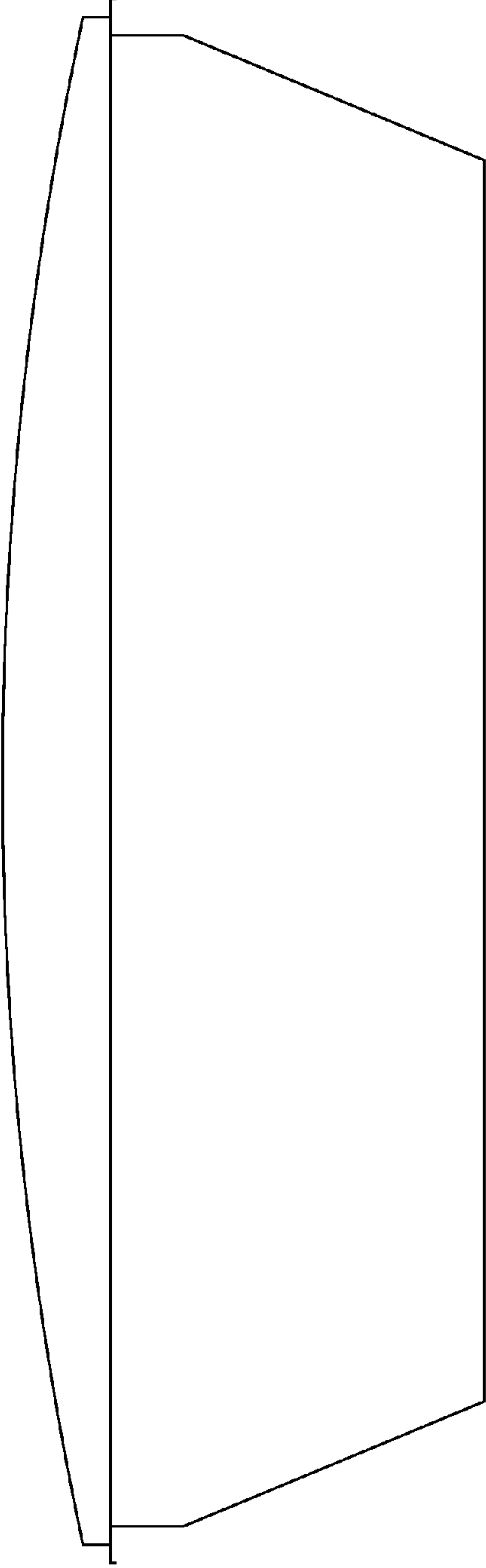


FIG. 32

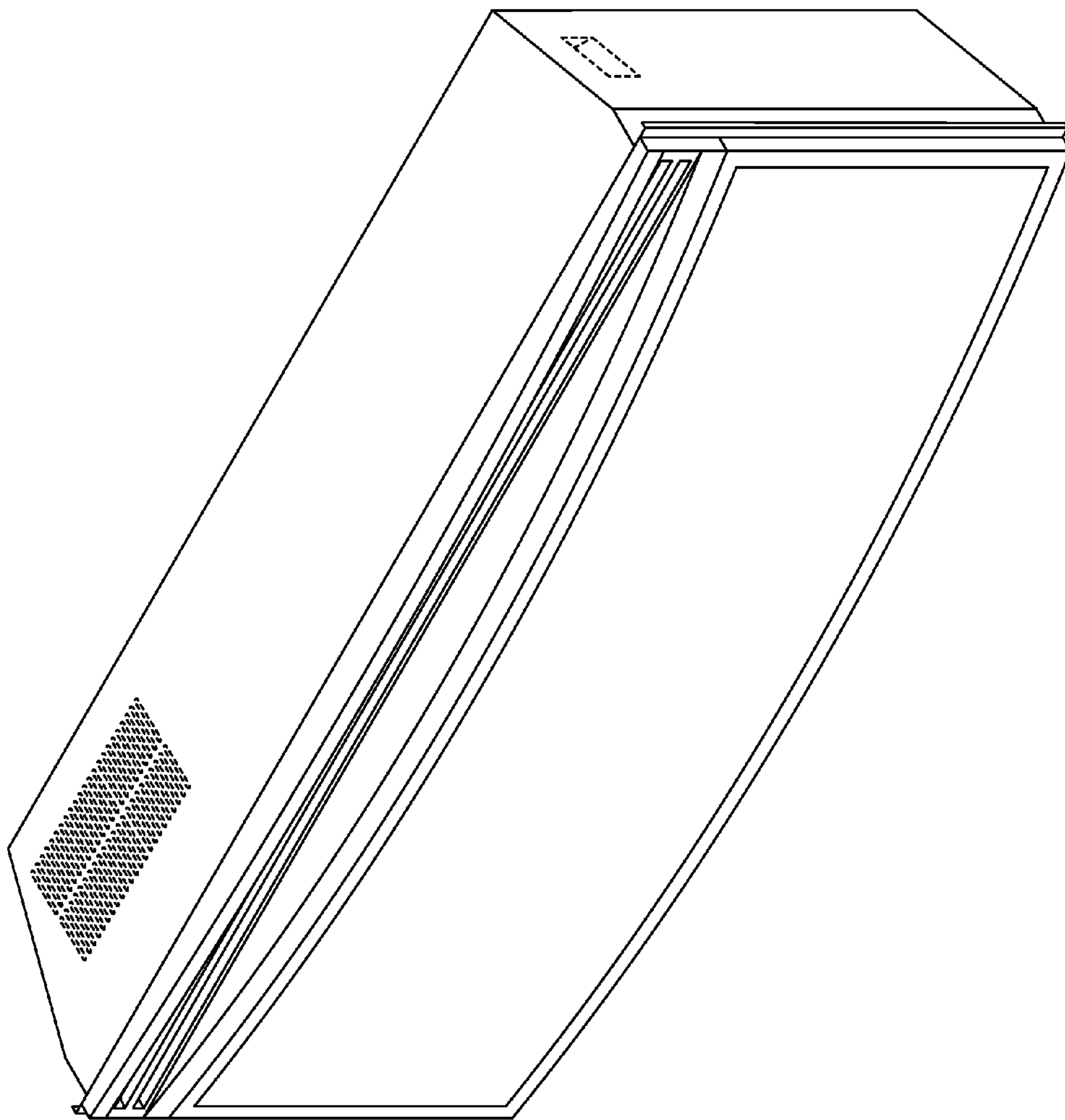


FIG. 33



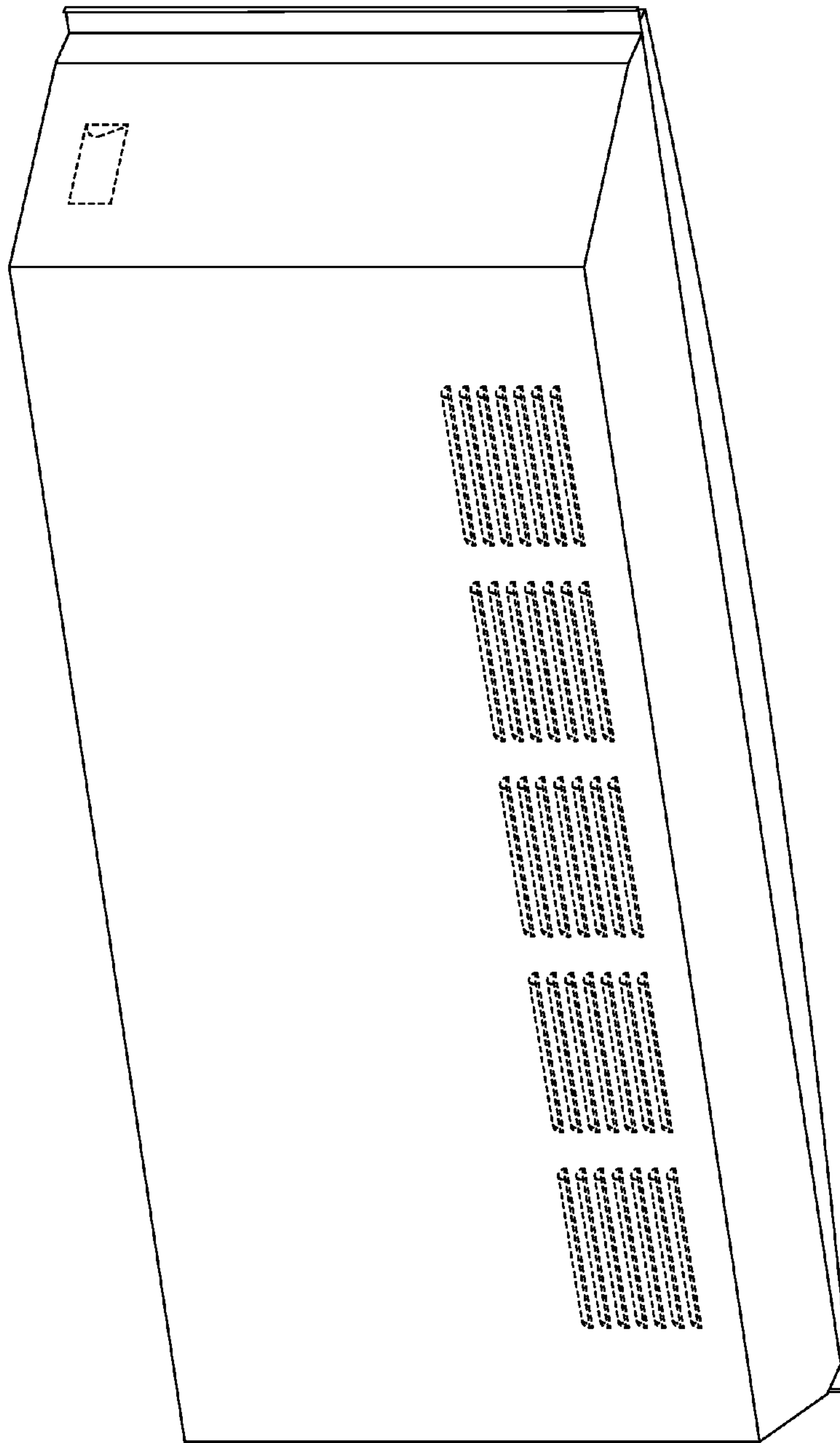


FIG. 34

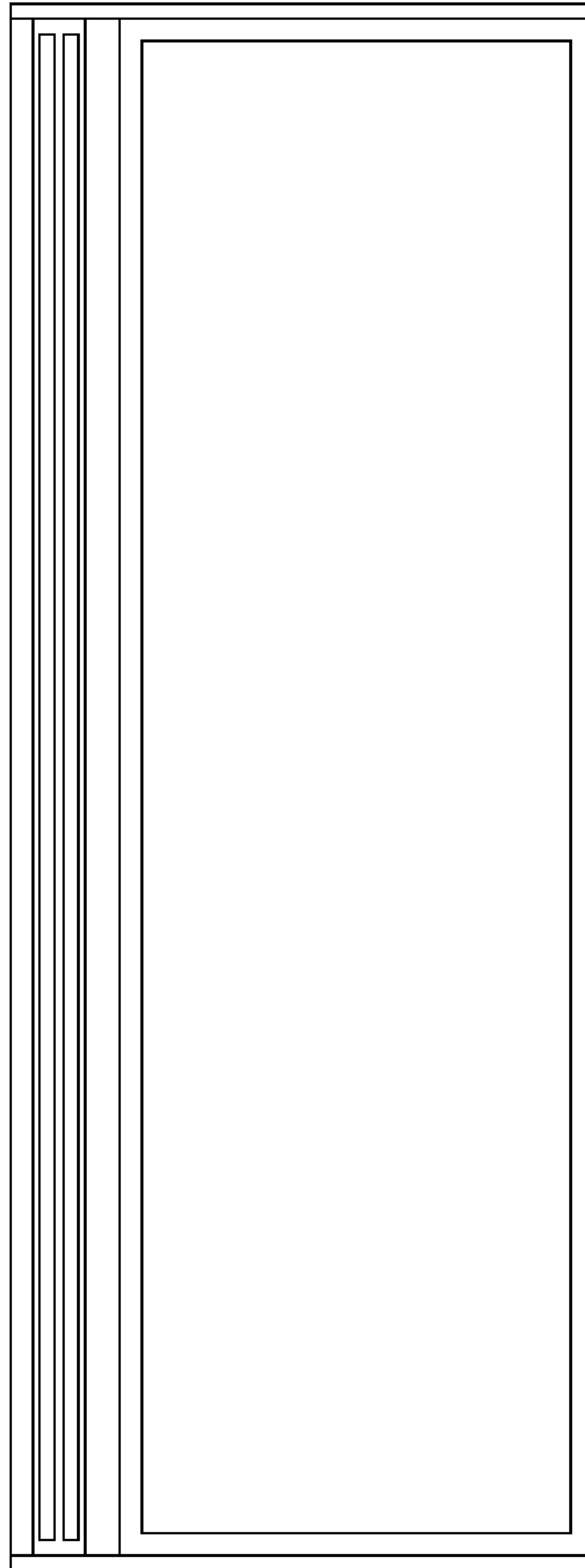


FIG. 35

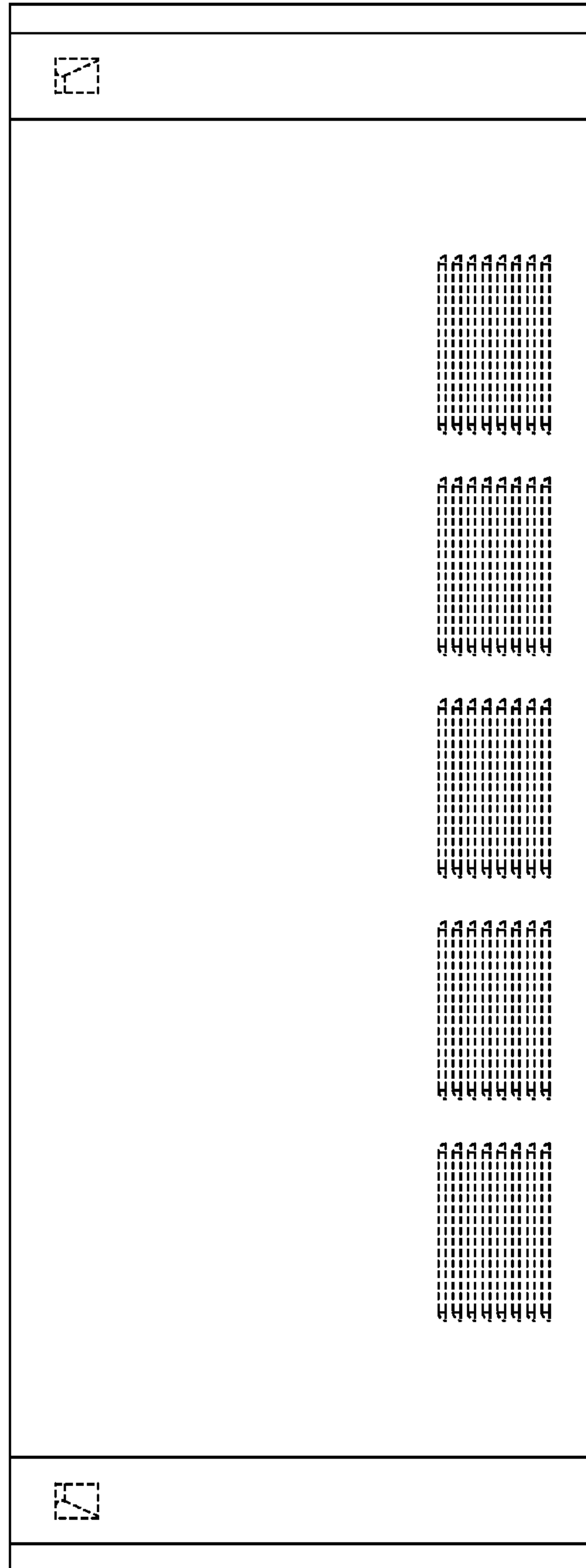


FIG. 36

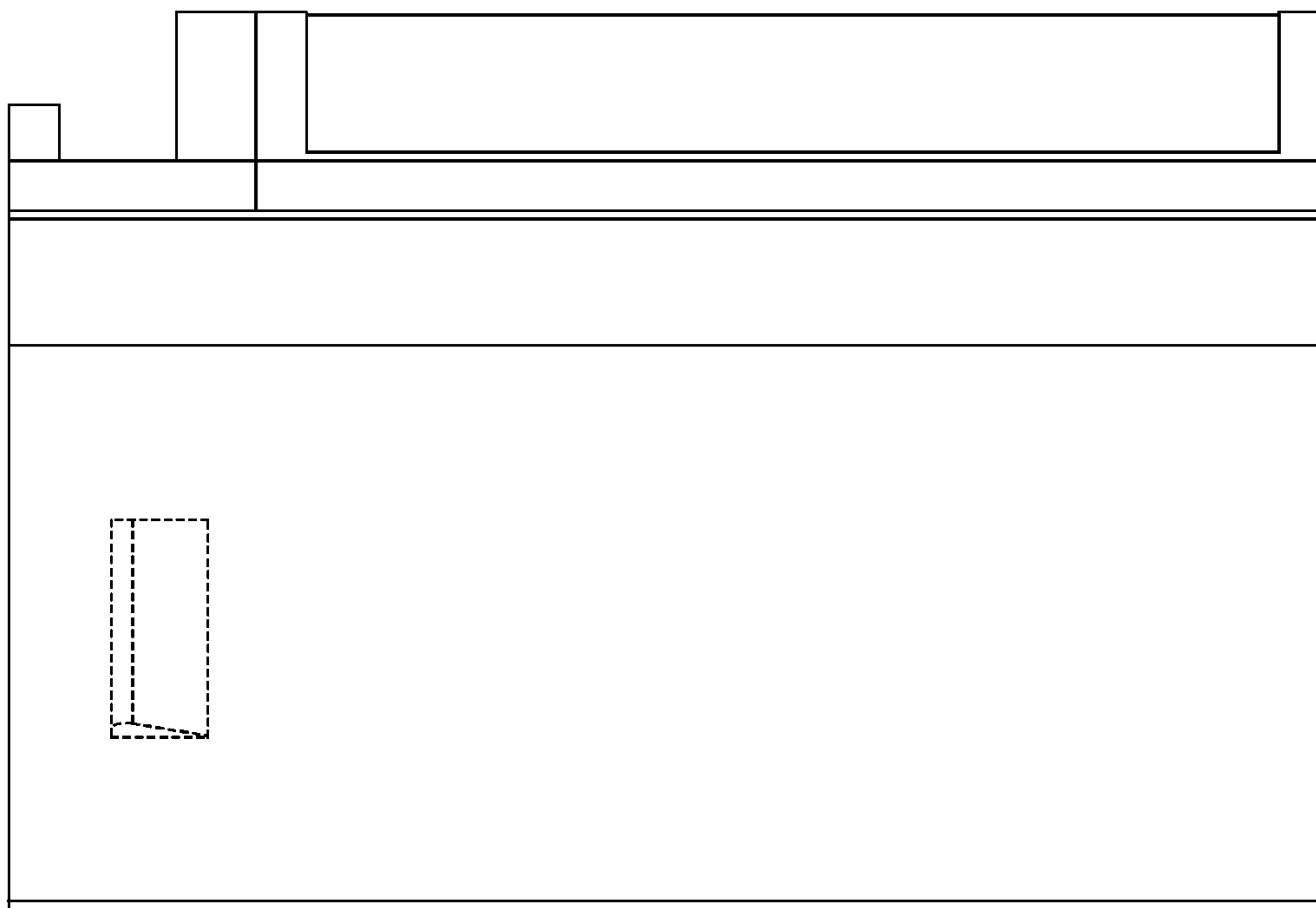


FIG. 37

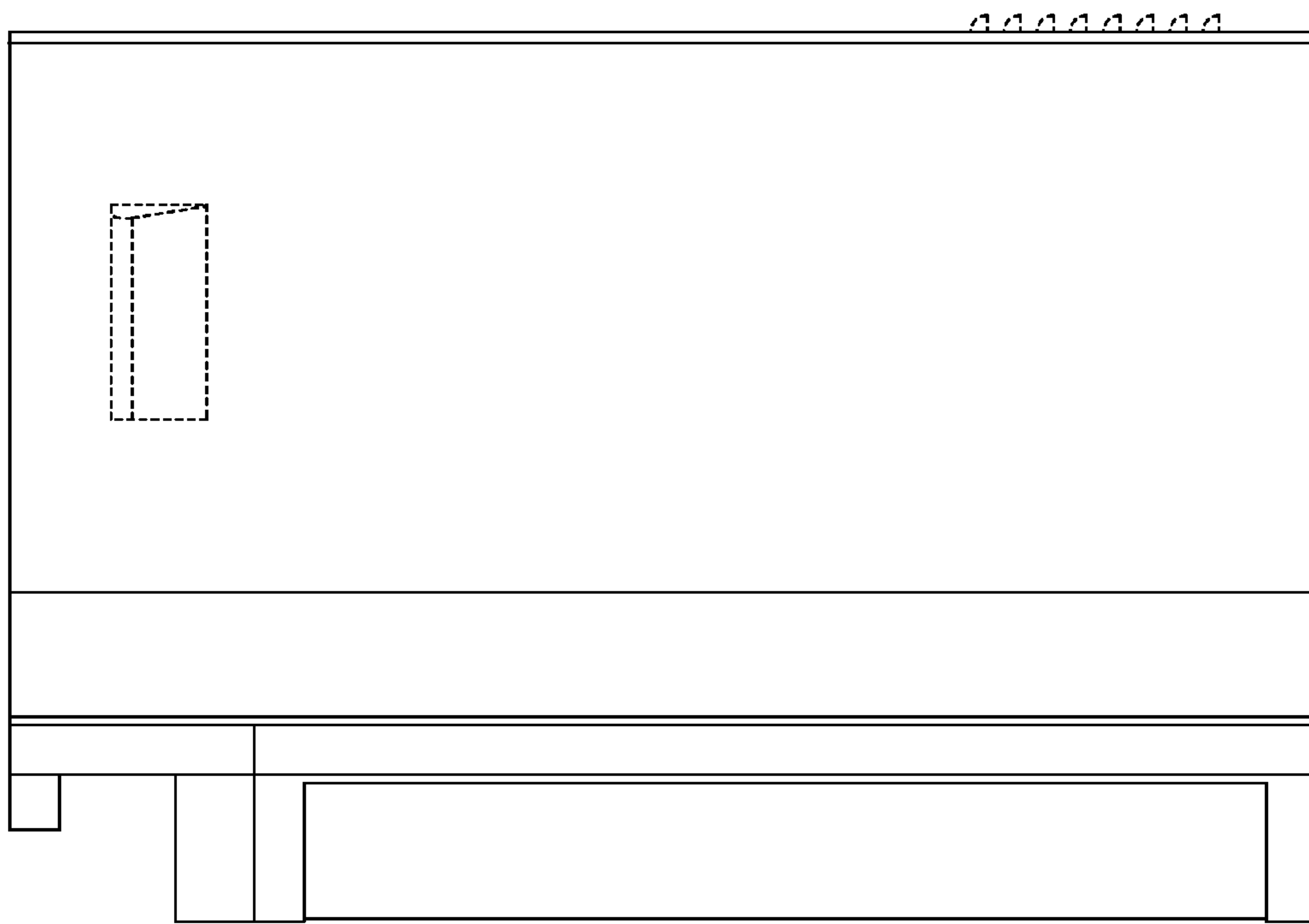


FIG. 38

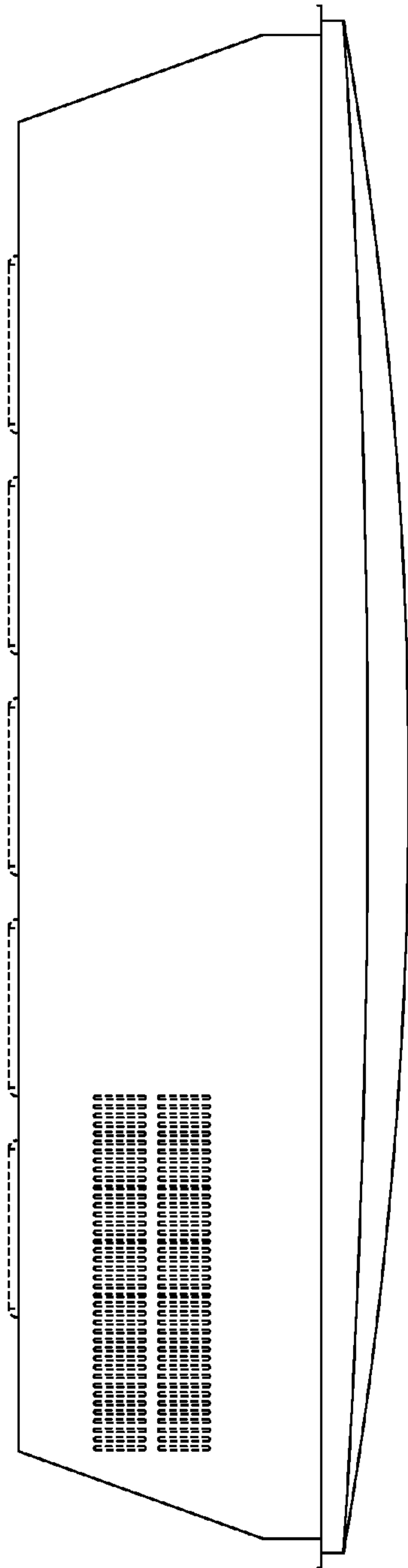


FIG. 39

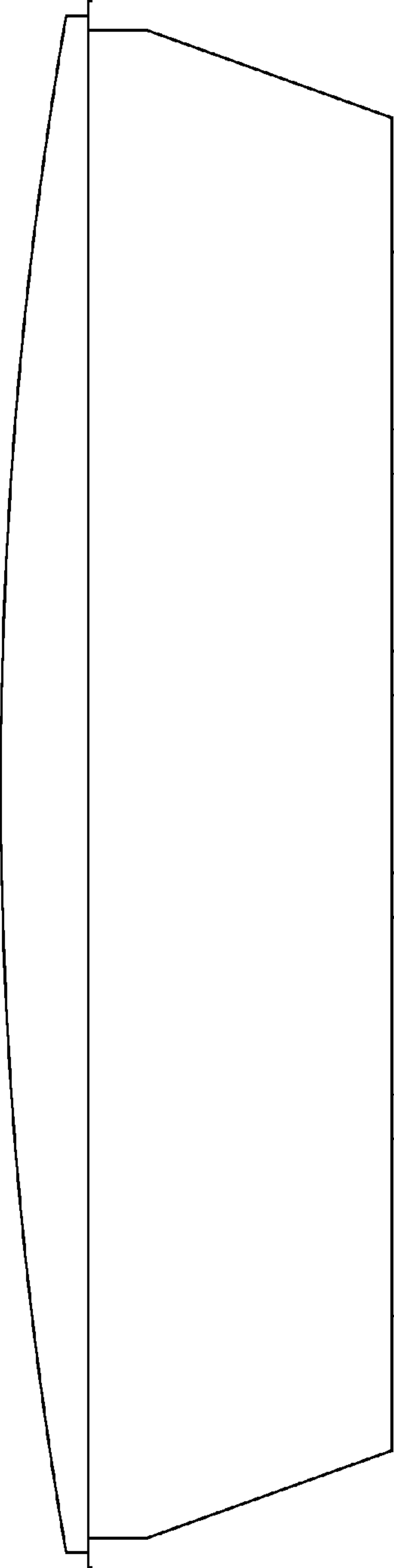


FIG. 40

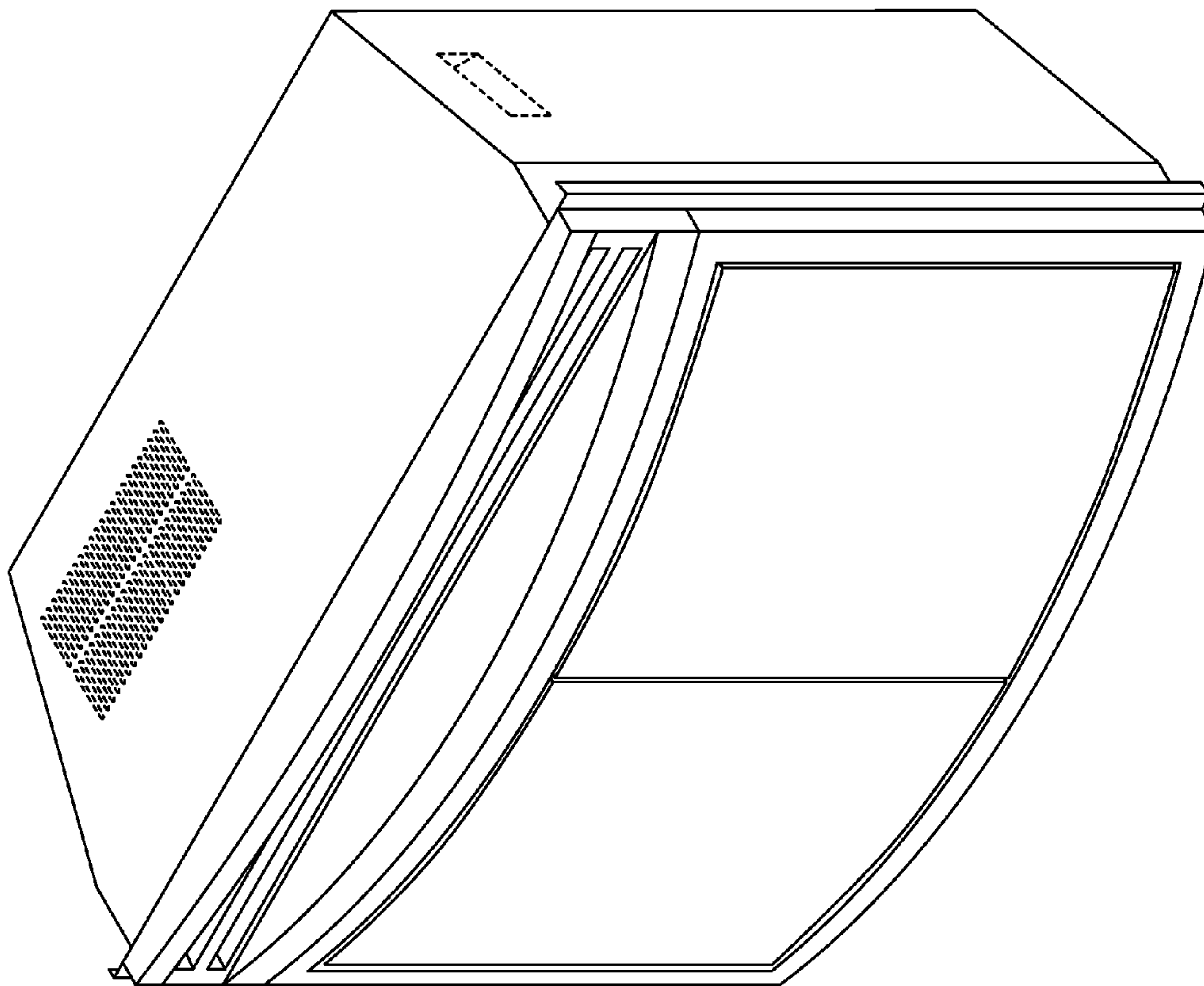


FIG. 41



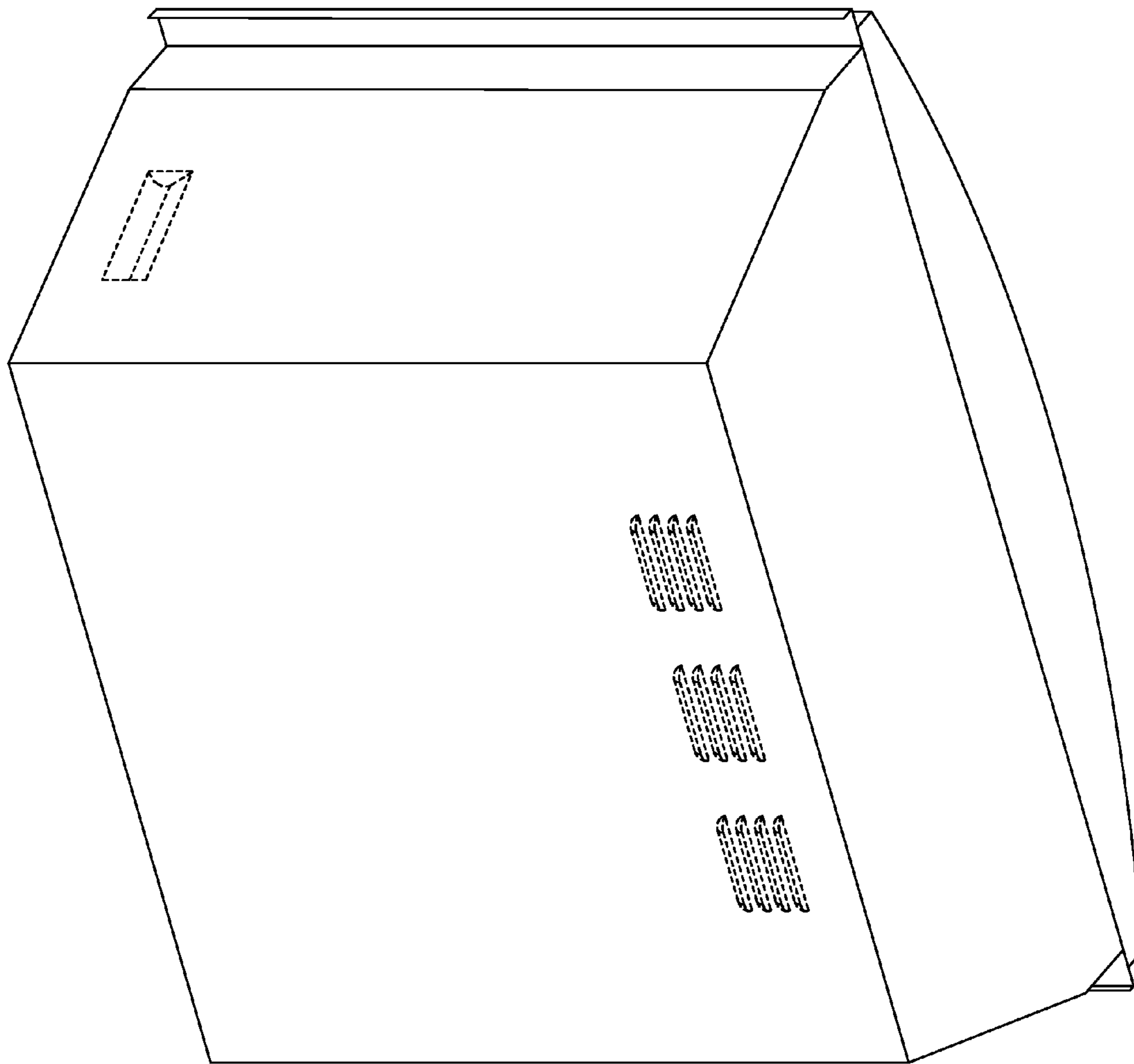


FIG. 42

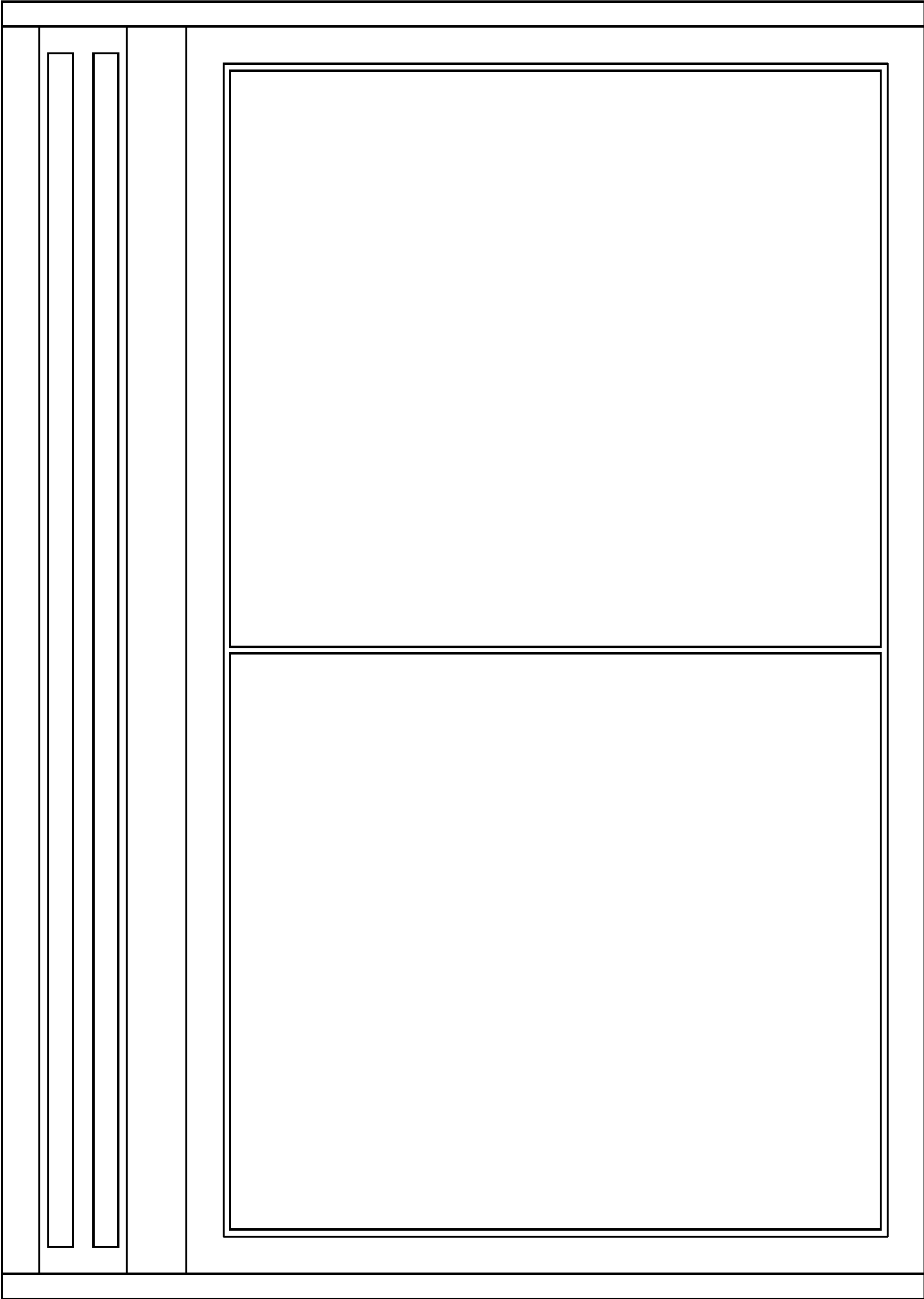


FIG. 43

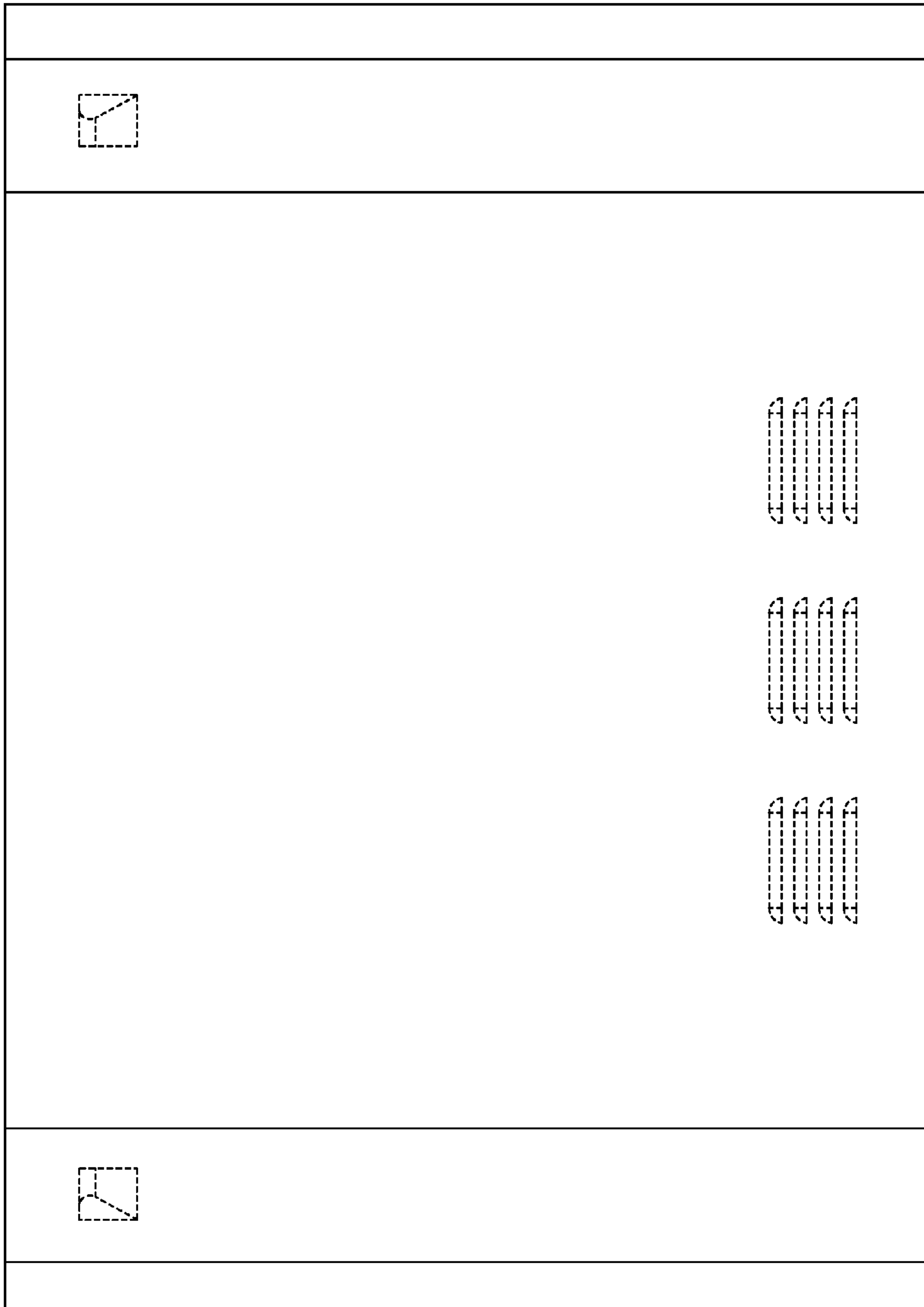


FIG. 44

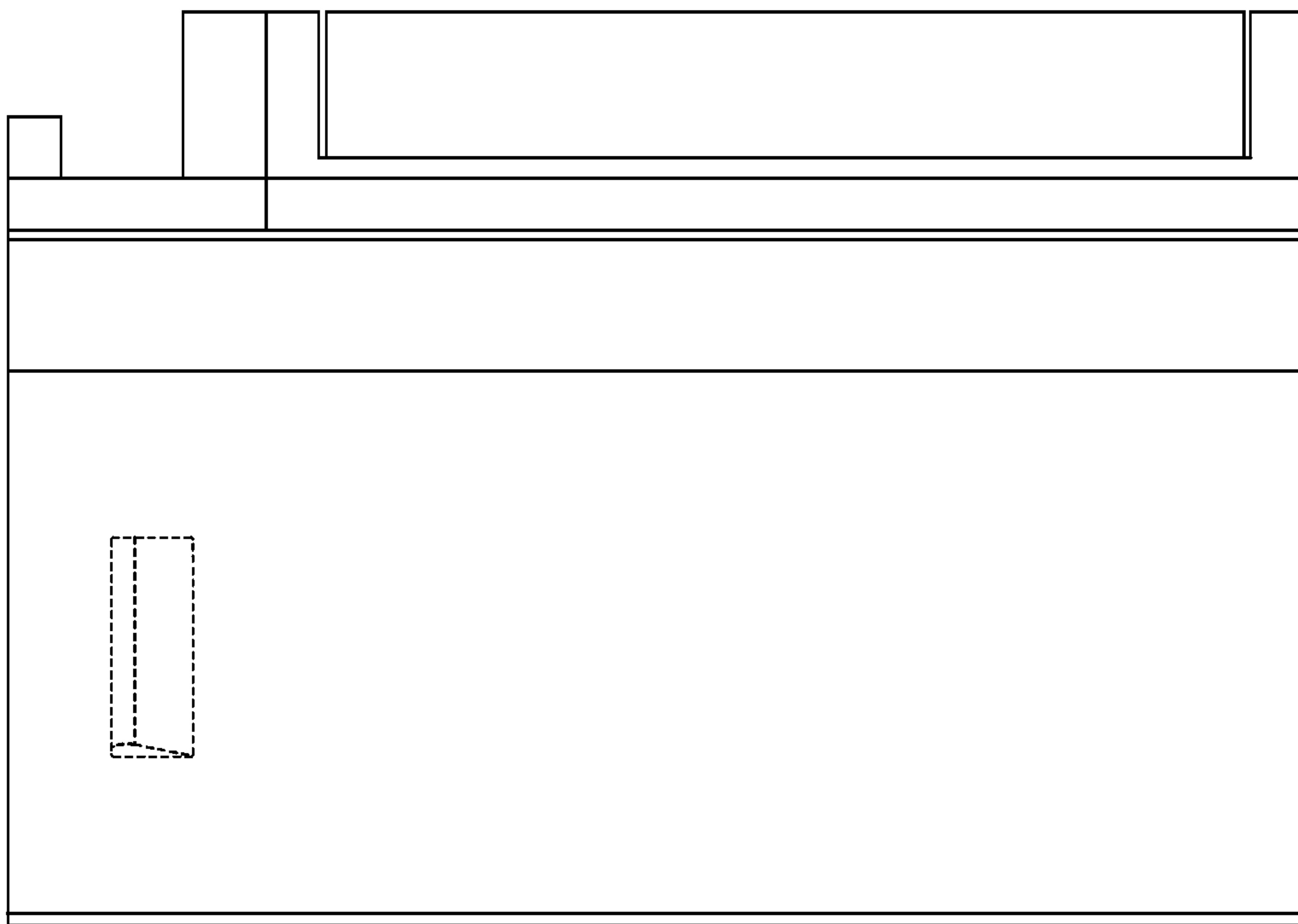


FIG. 45

FIG. 45

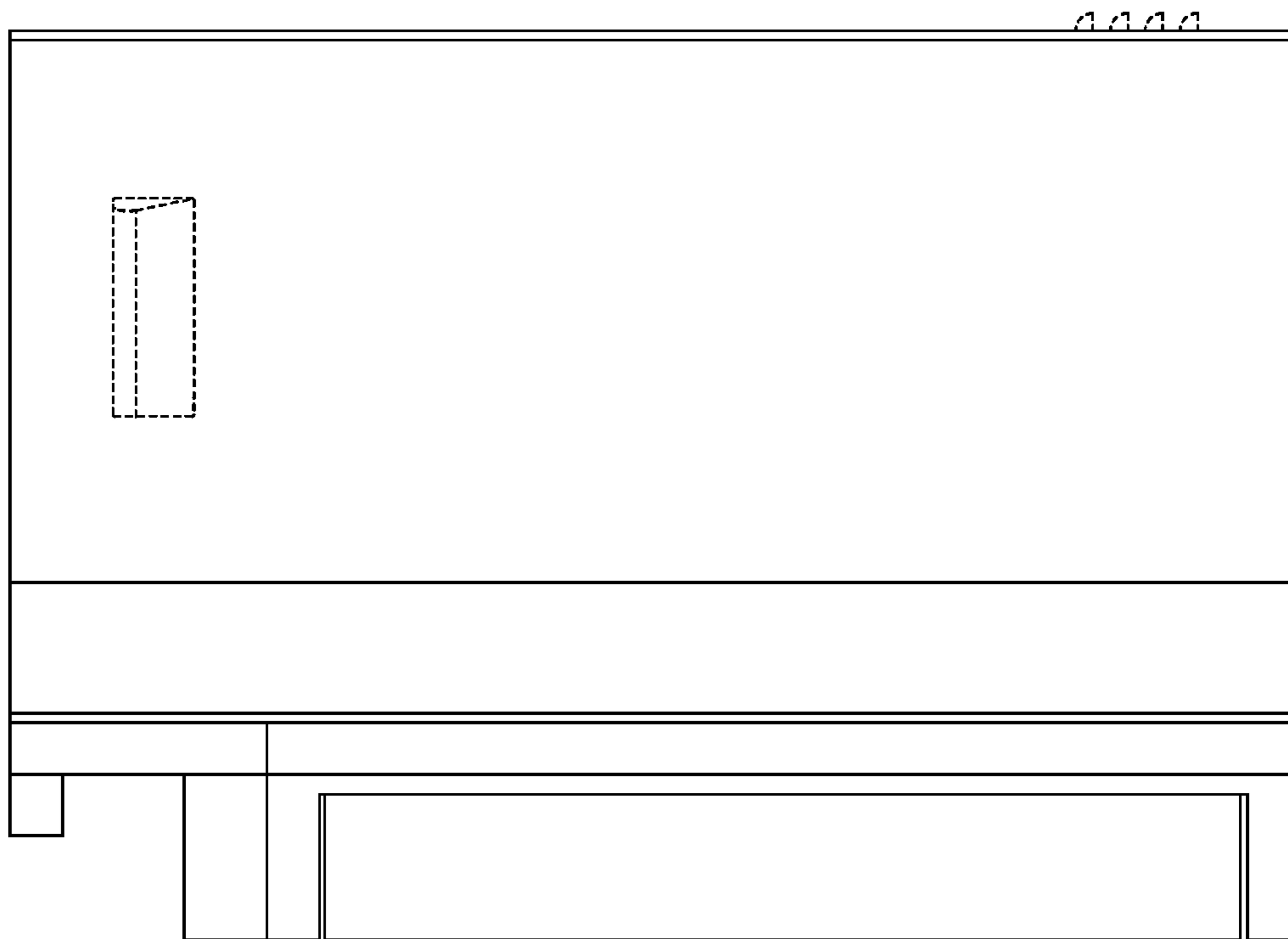


FIG. 46

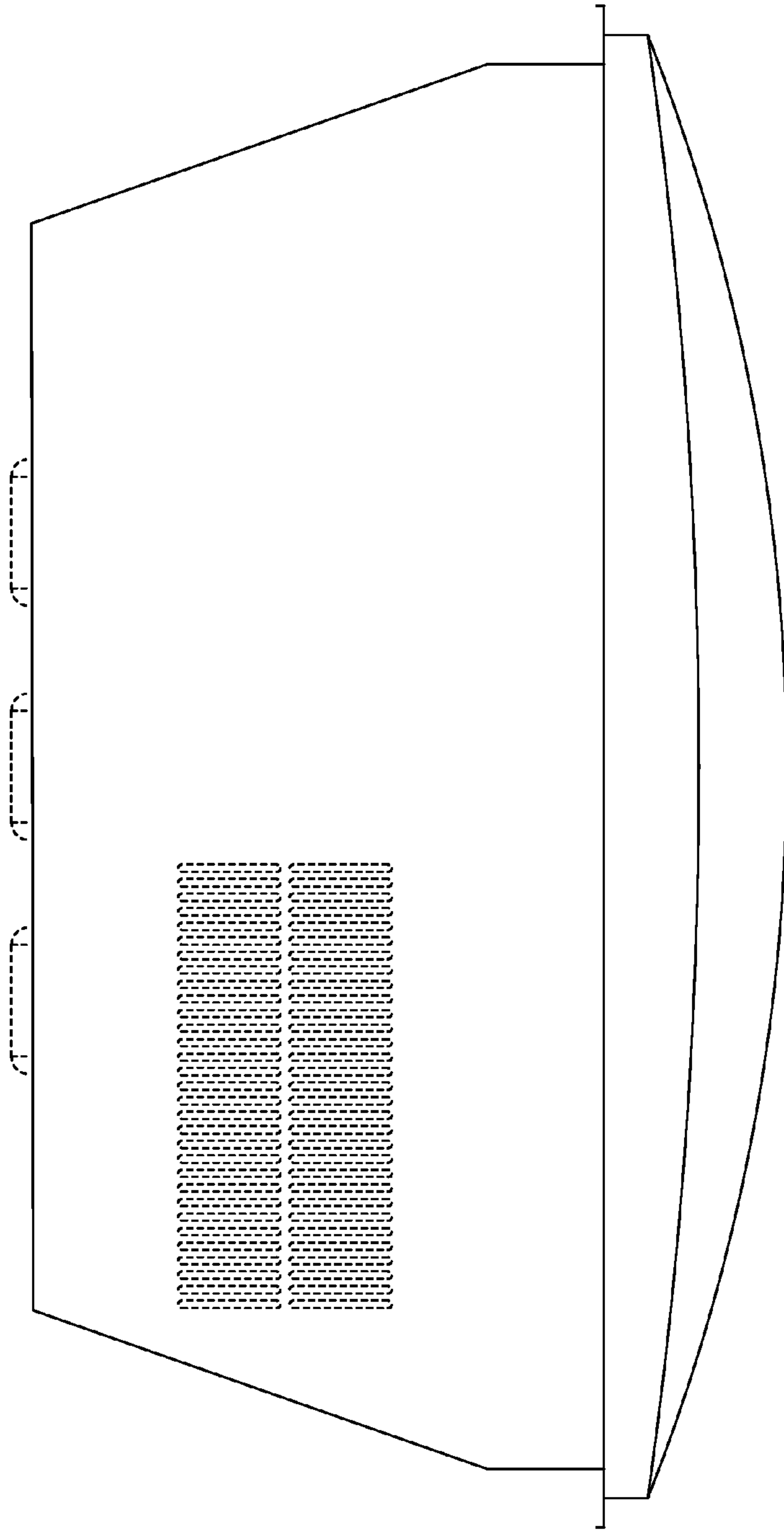


FIG. 47

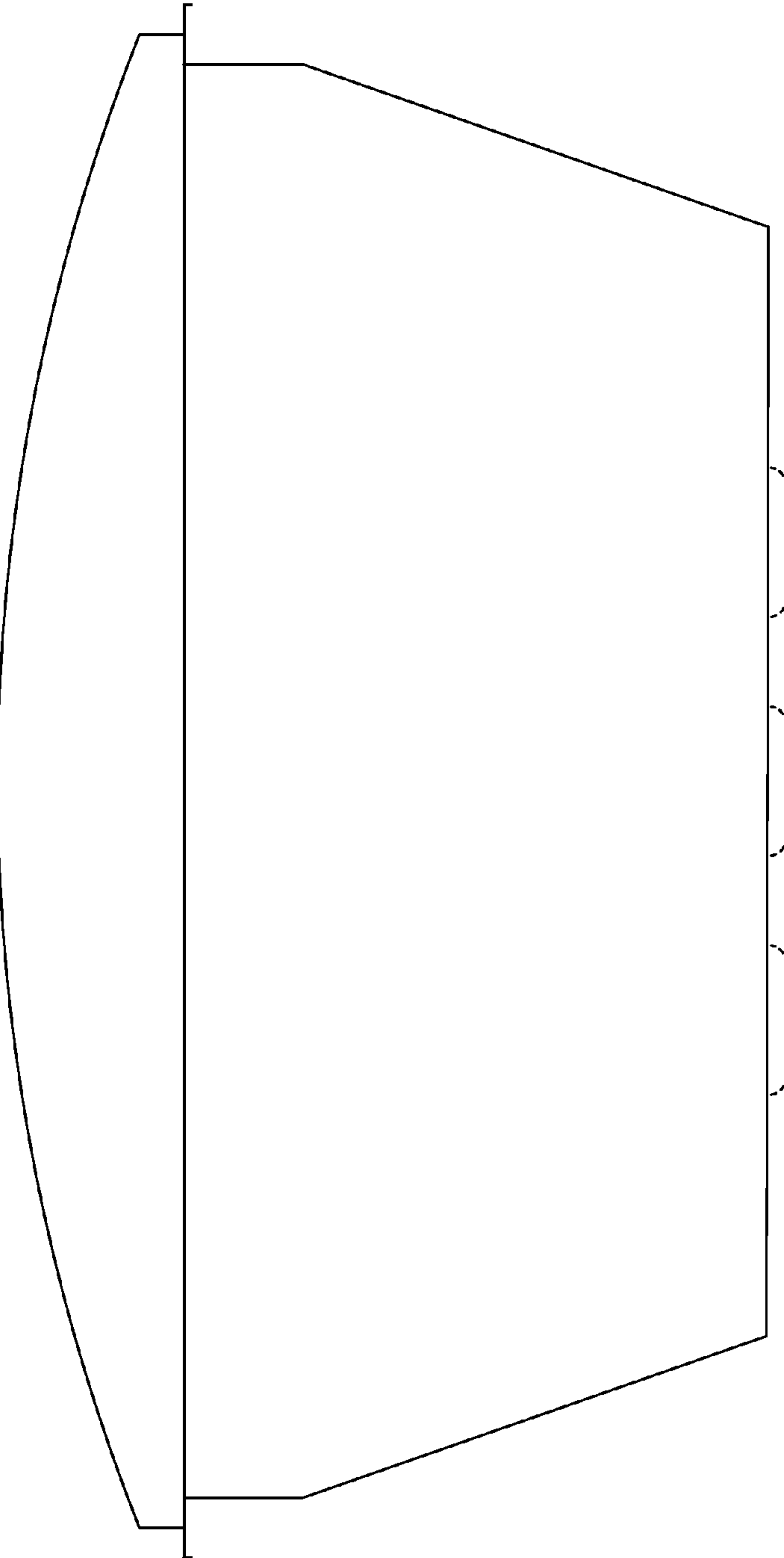


FIG. 48

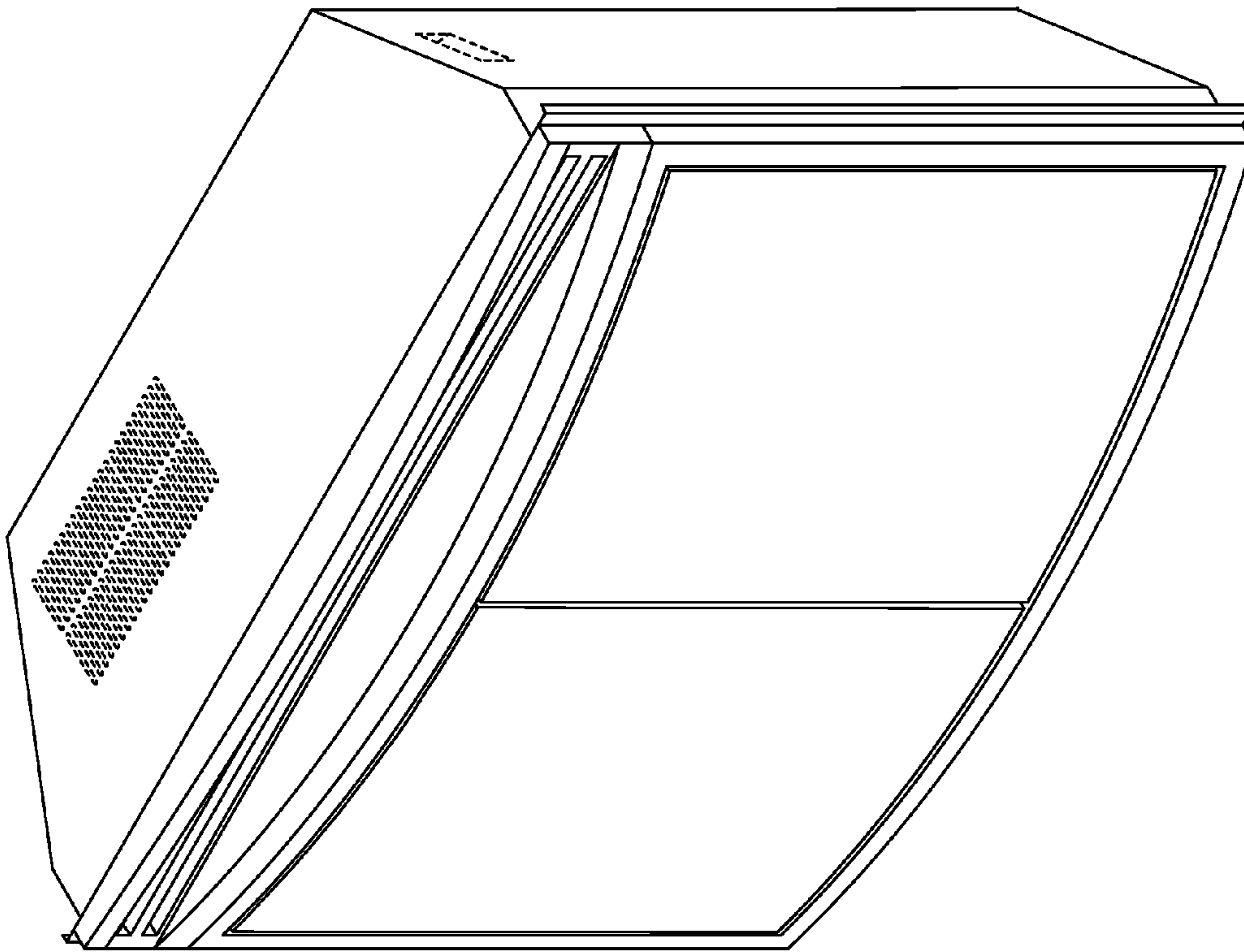


FIG. 49



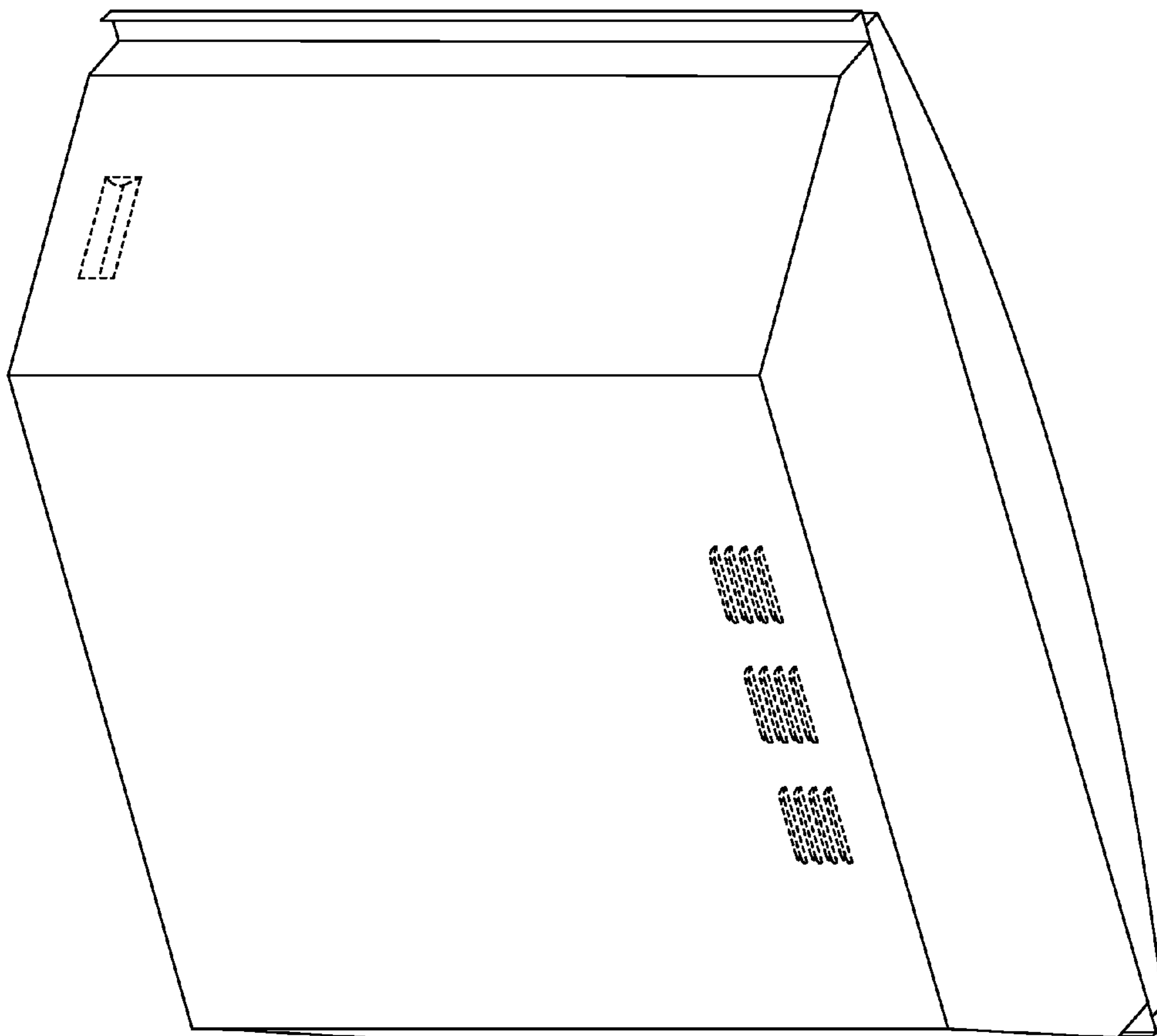


FIG. 50

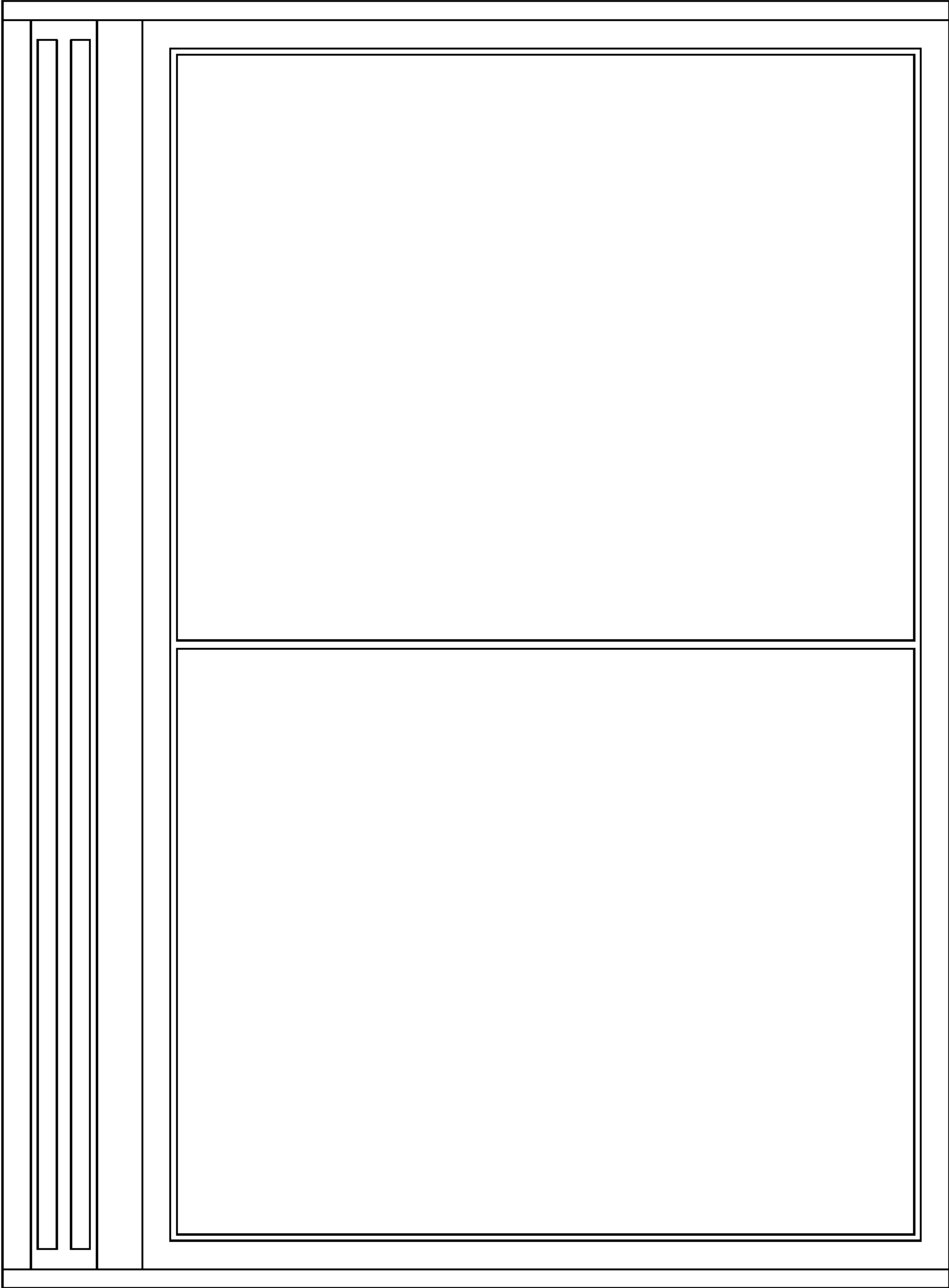


FIG. 51

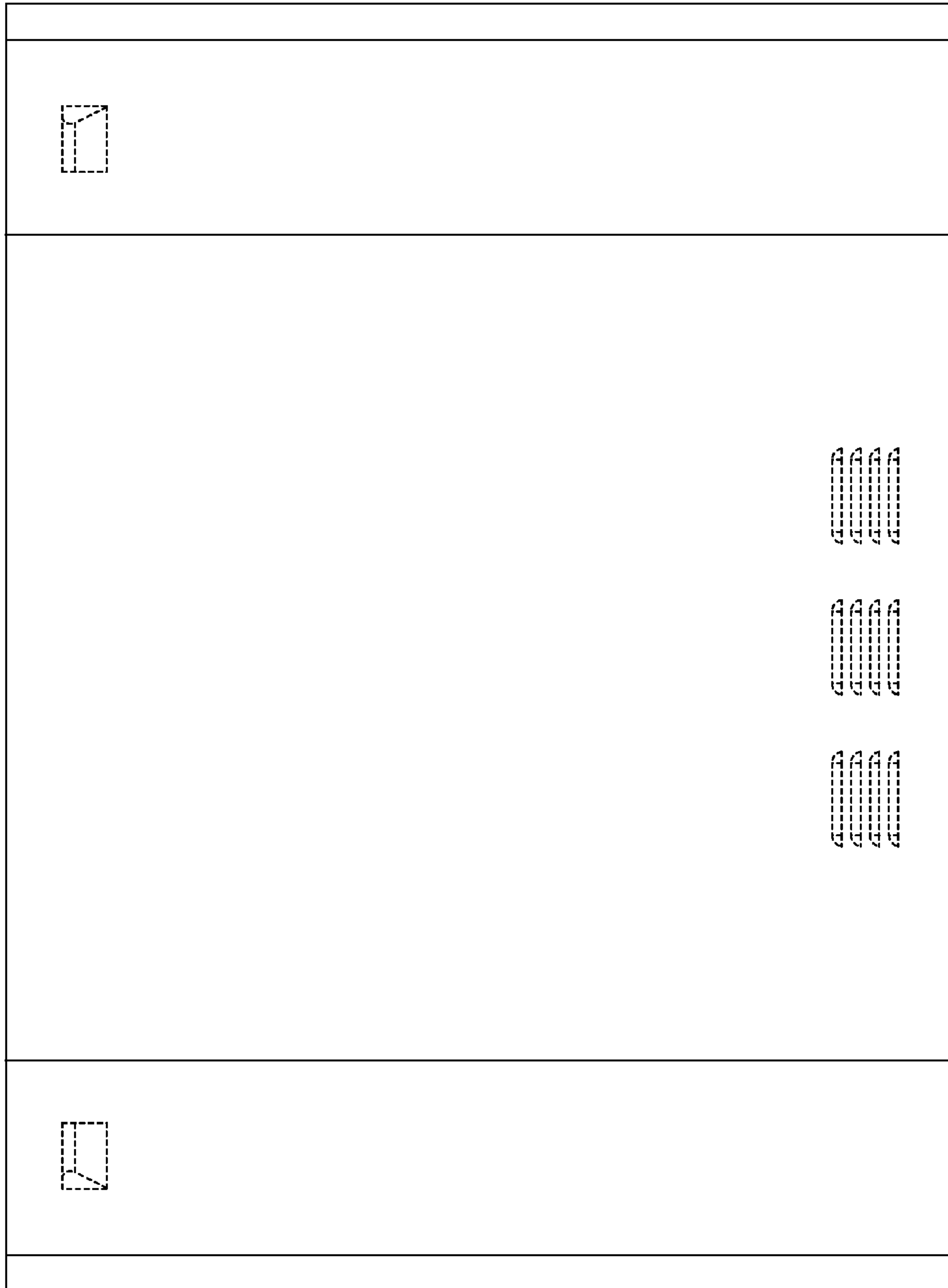


FIG. 52

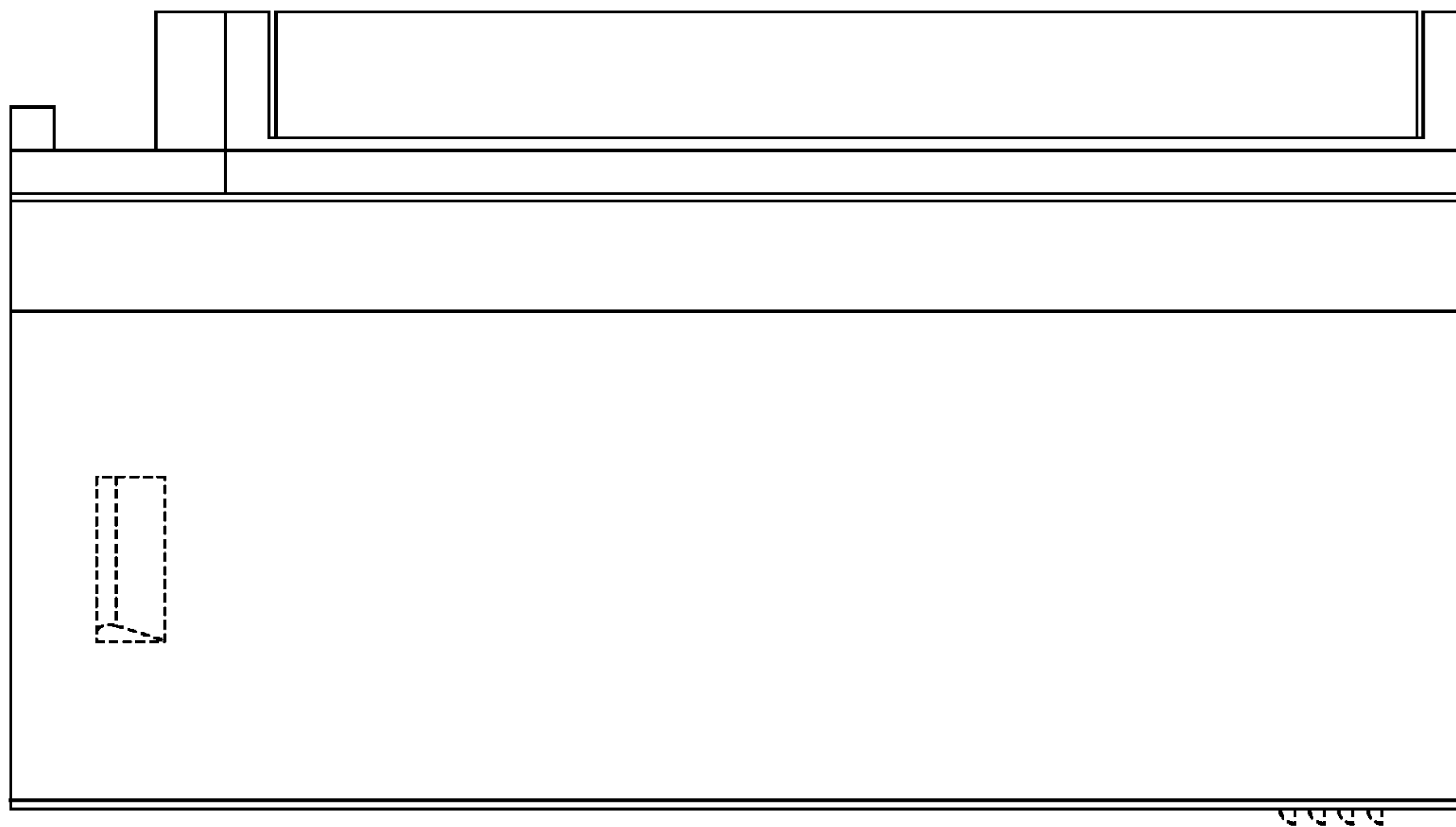


FIG. 53

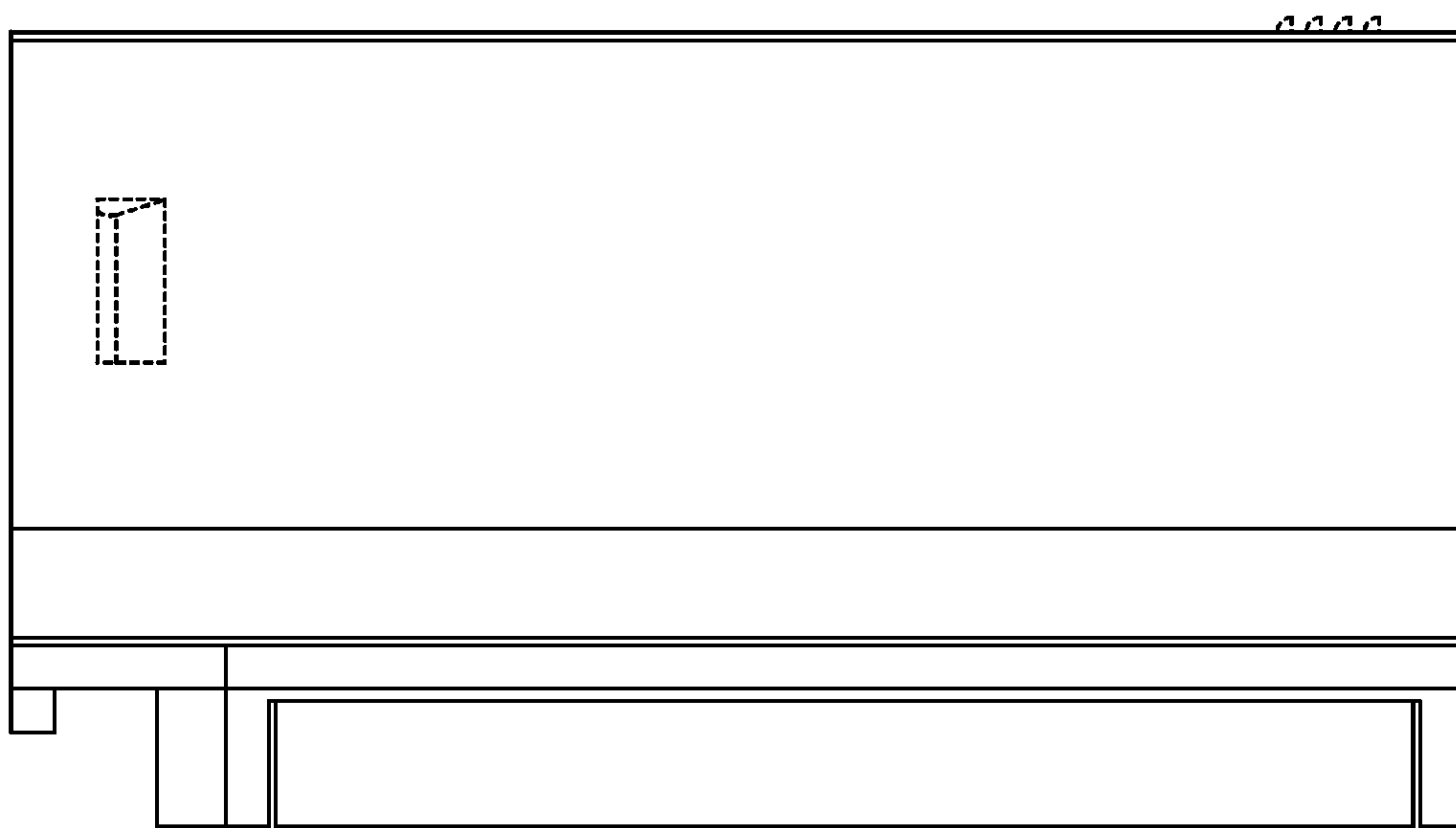


FIG. 54

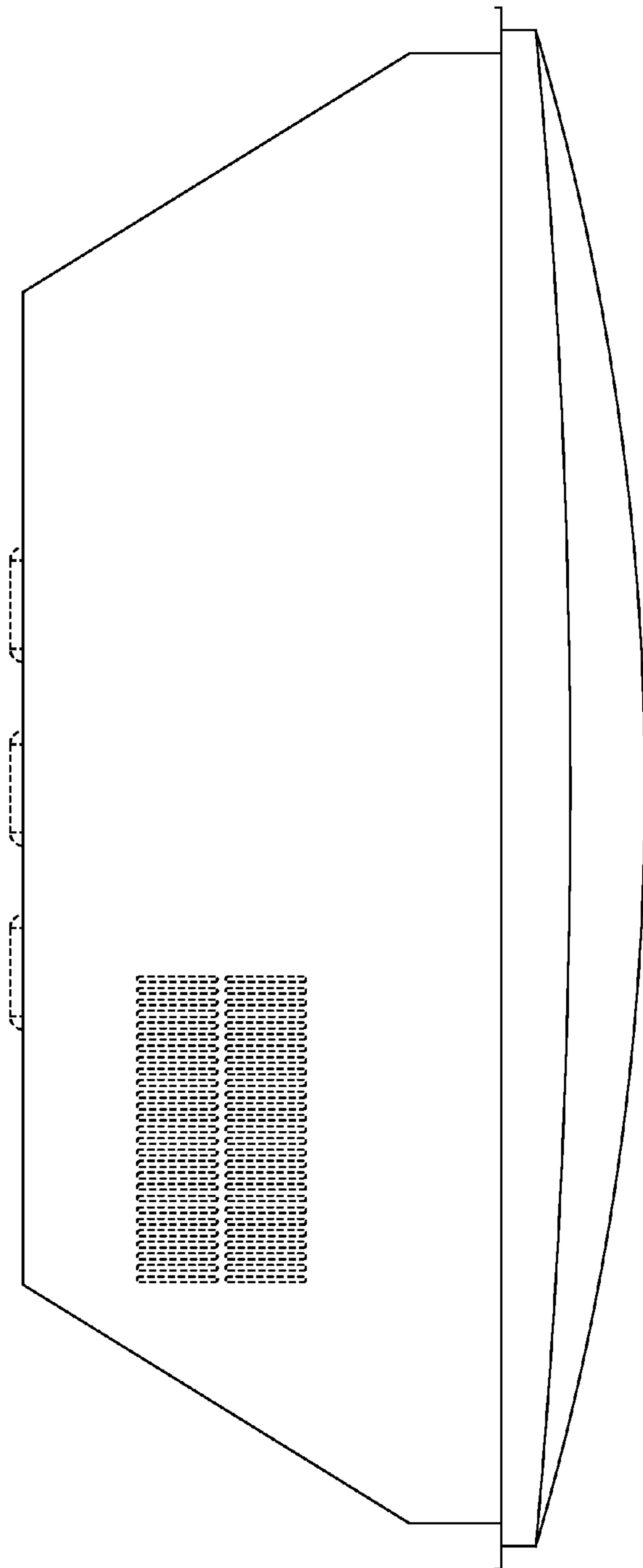


FIG. 55

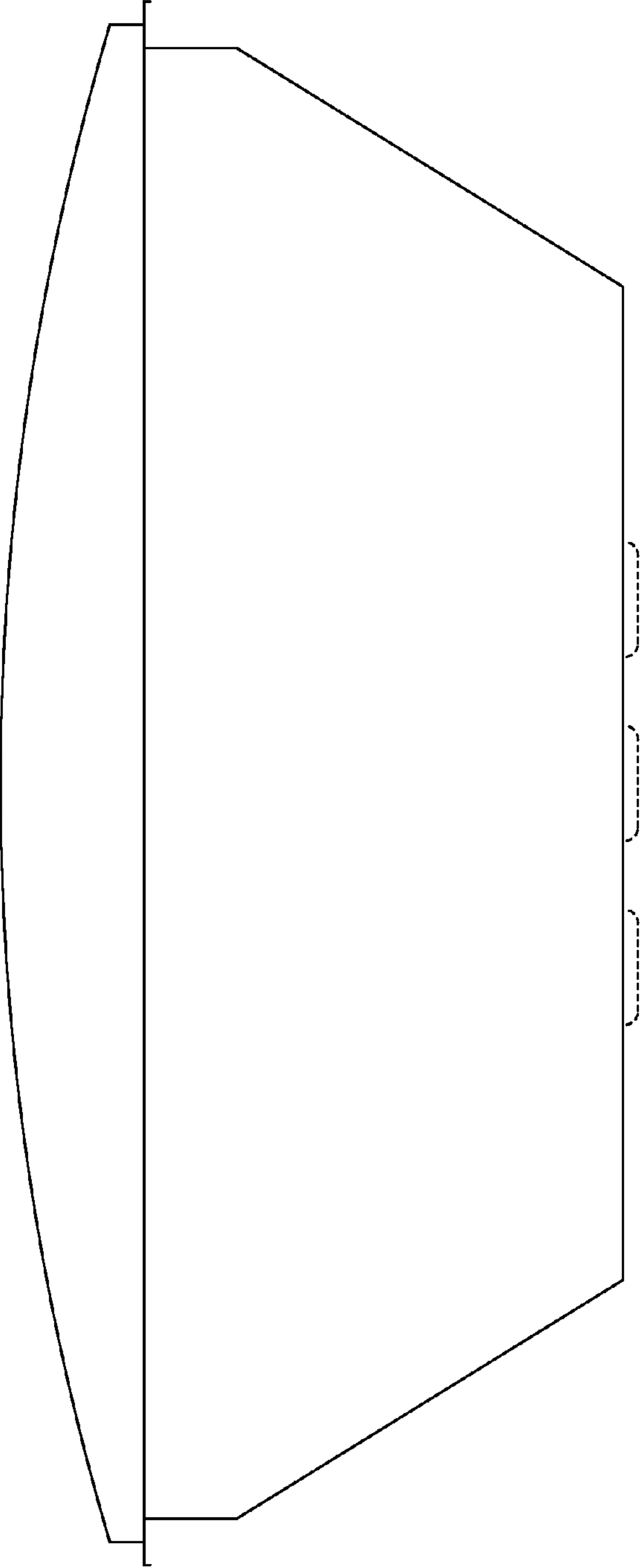


FIG. 56

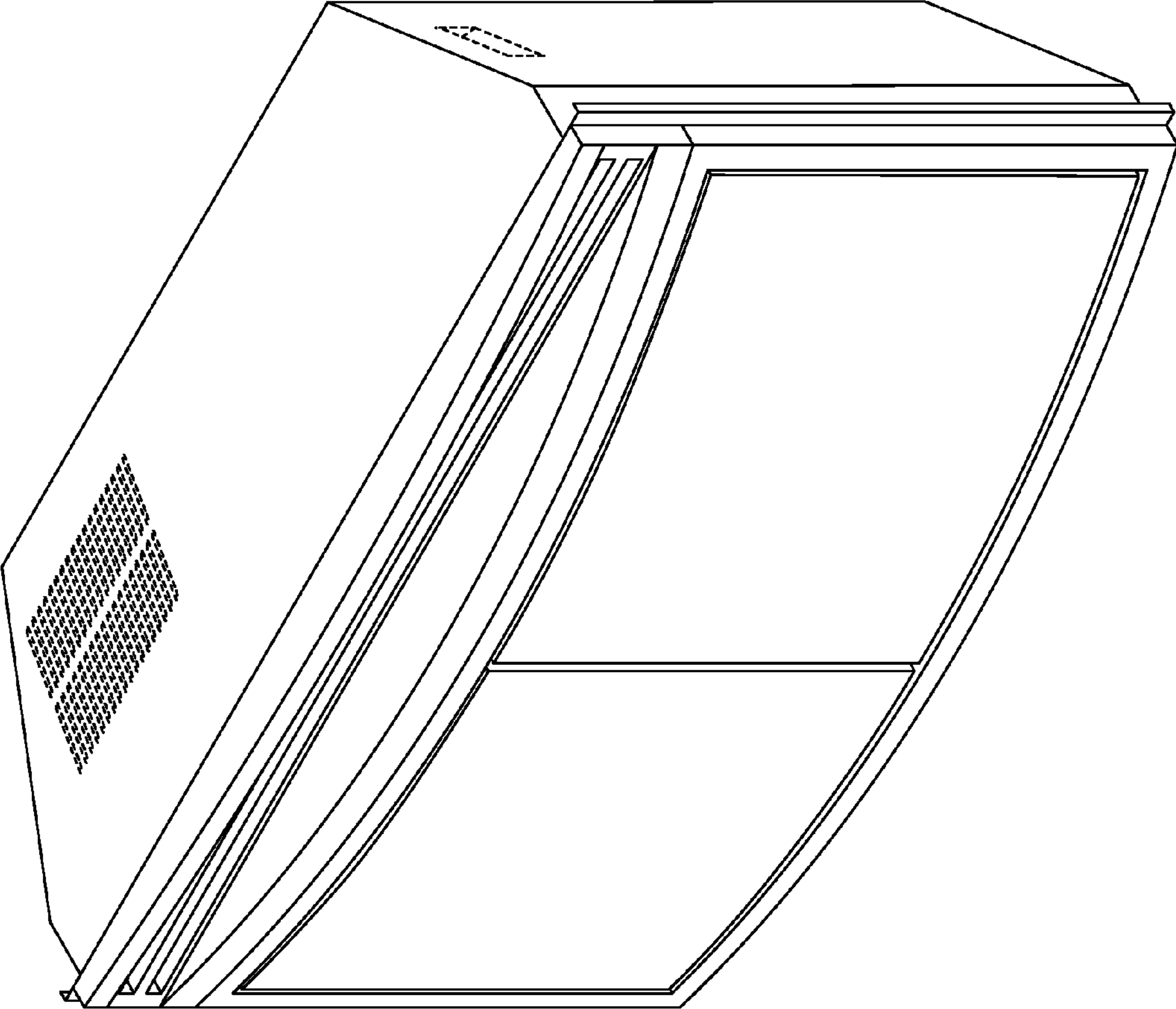


FIG. 57



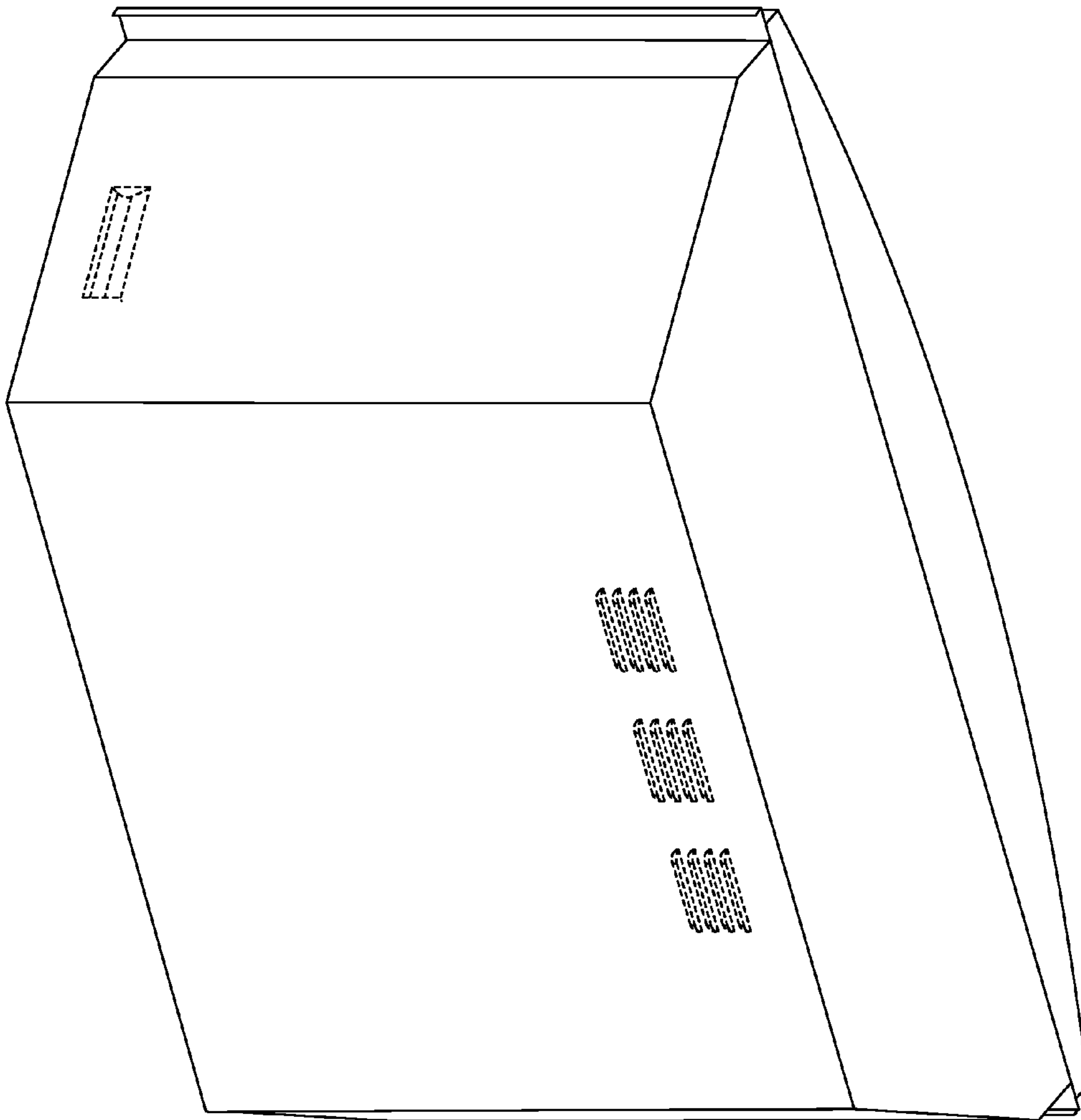


FIG. 58

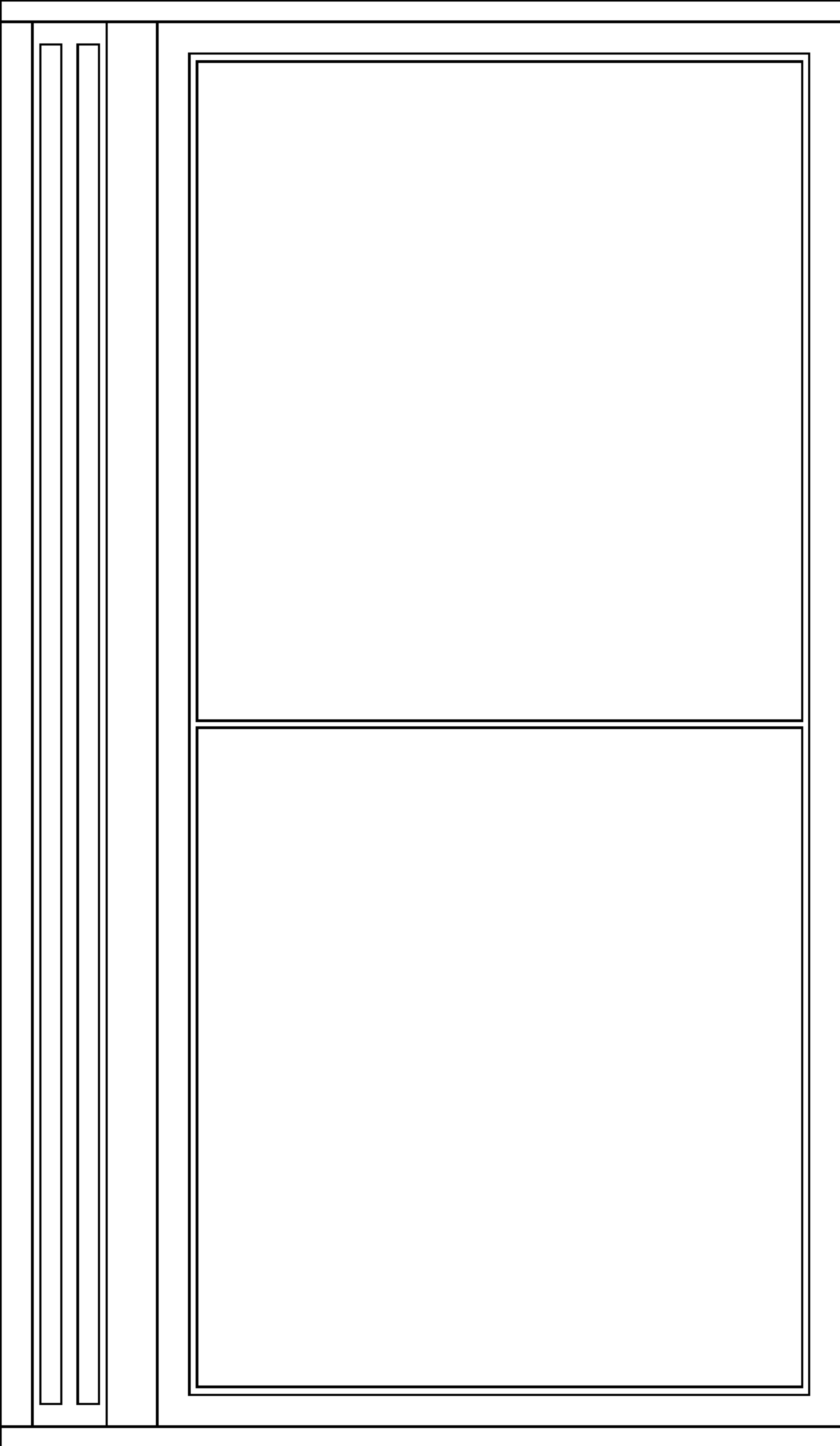


FIG. 59

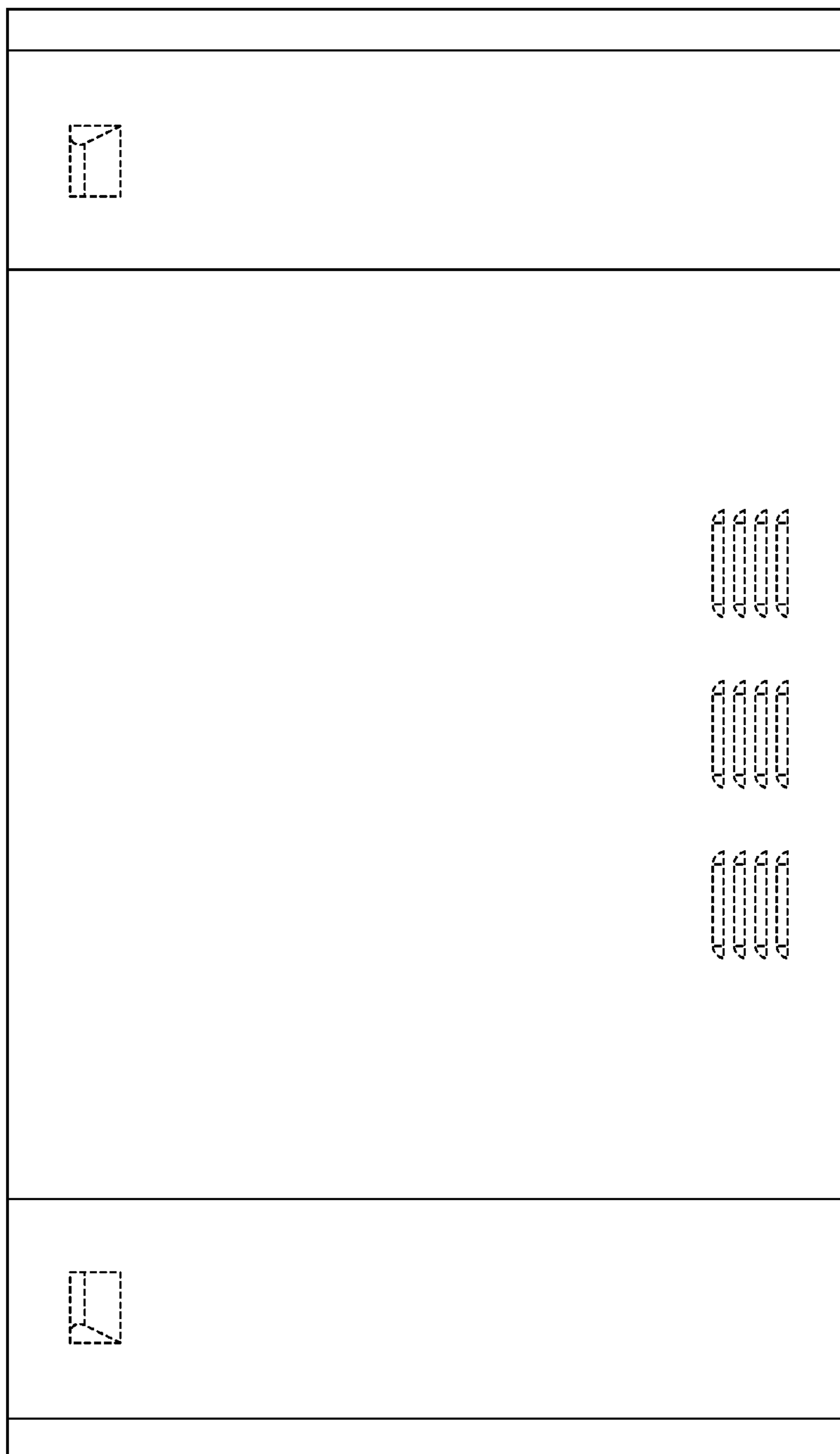


FIG. 60

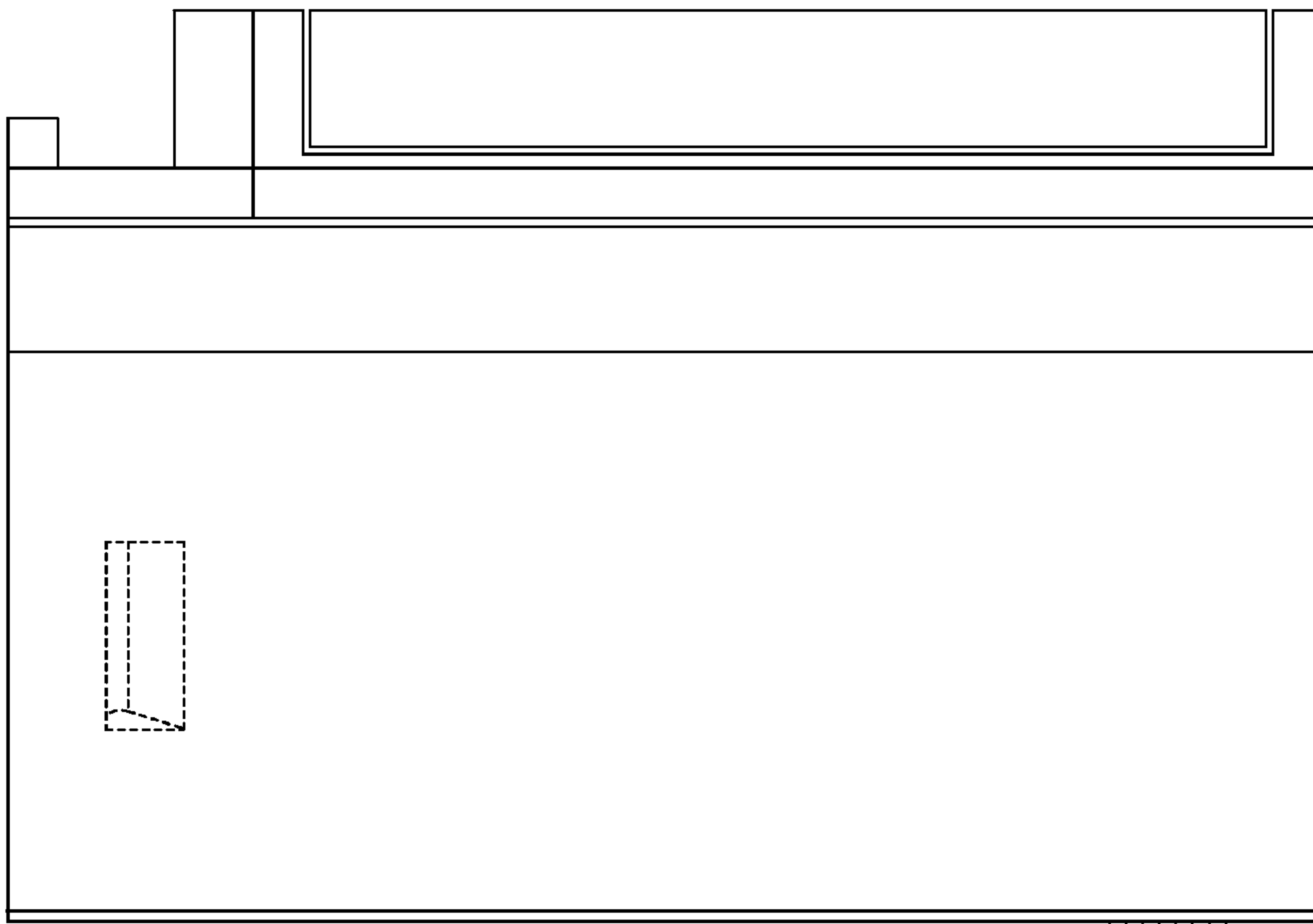


FIG. 61



FIG. 62

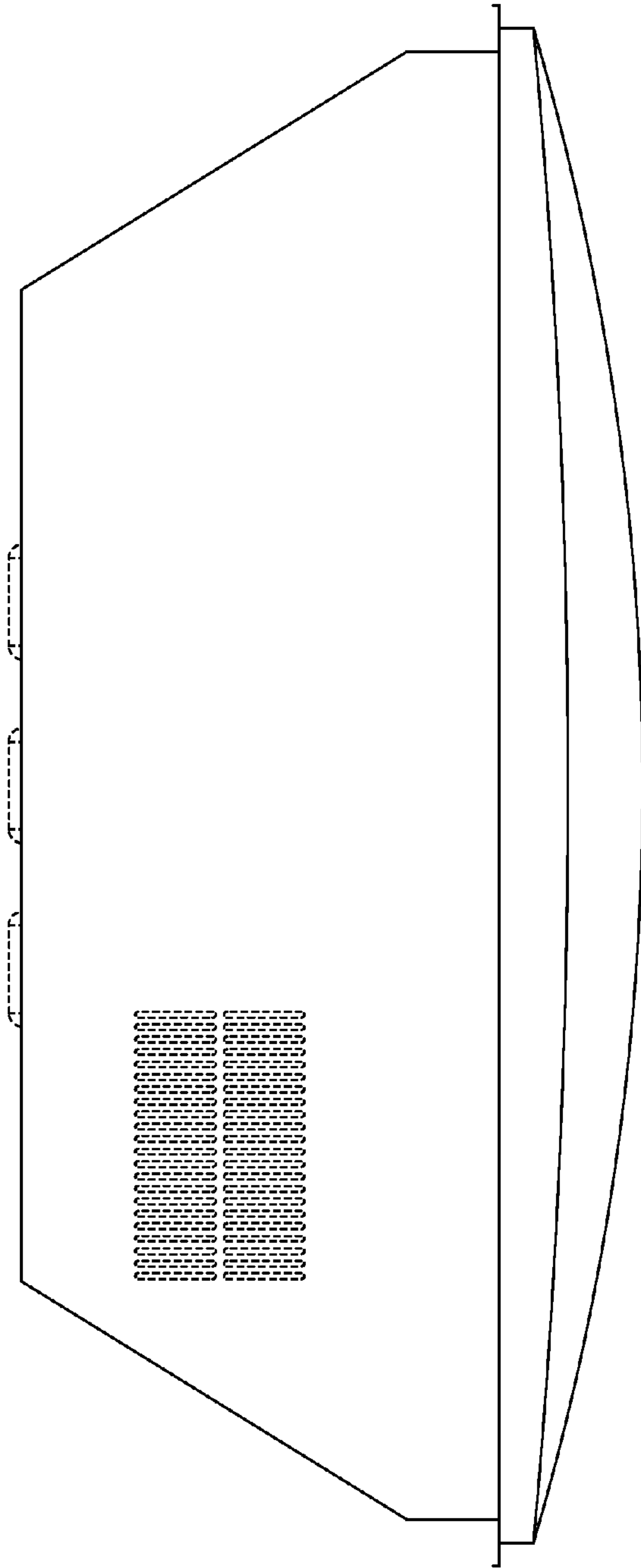


FIG. 63

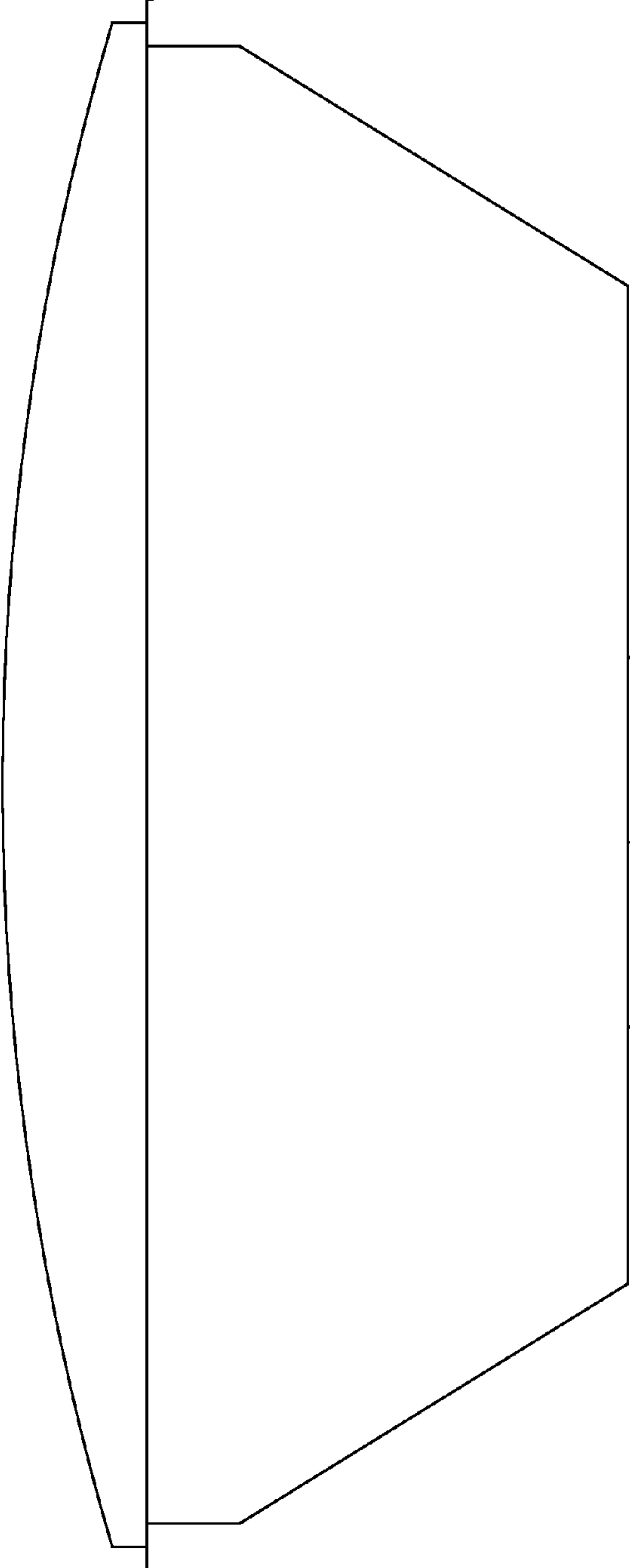


FIG. 64

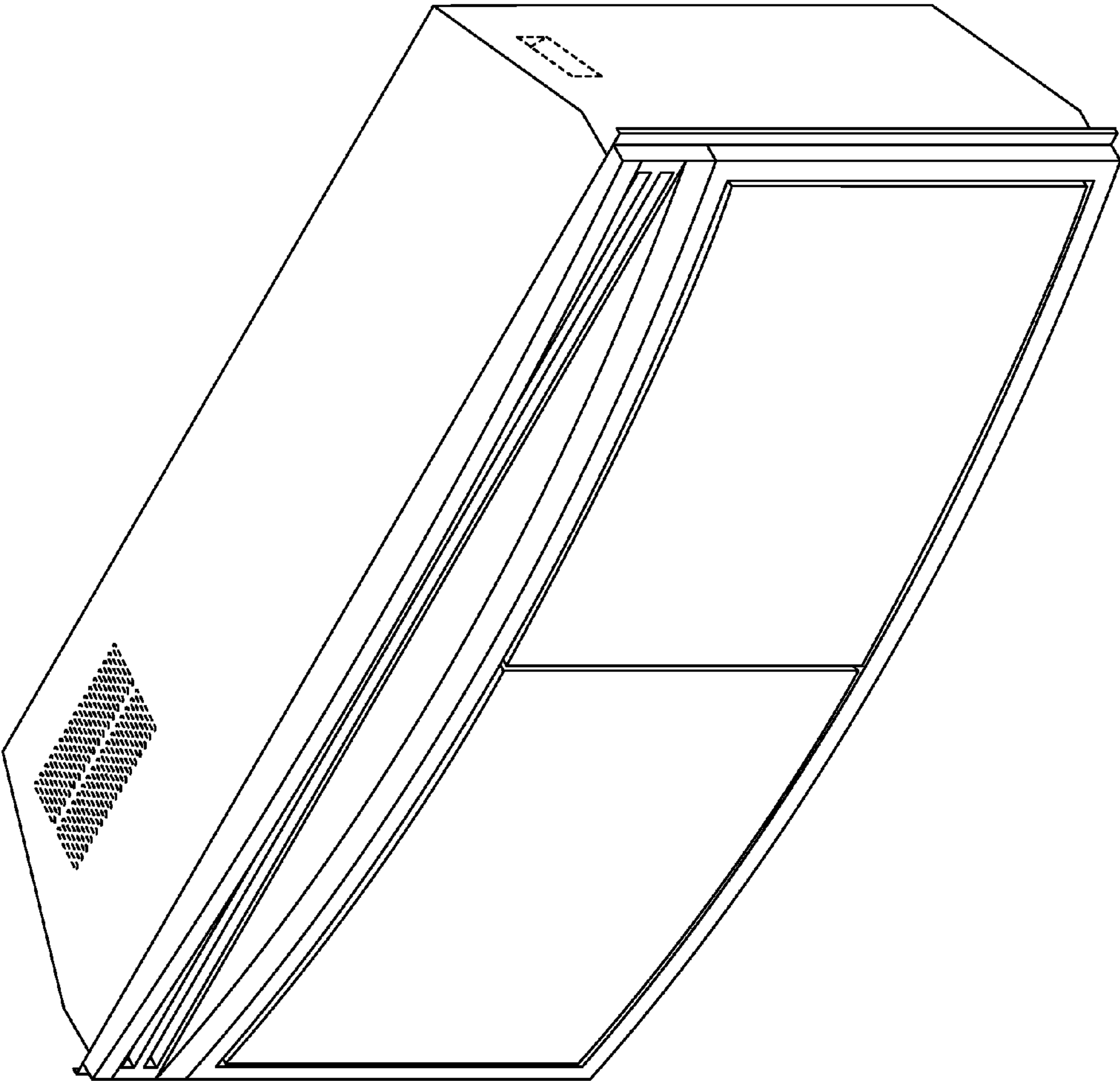


FIG. 65



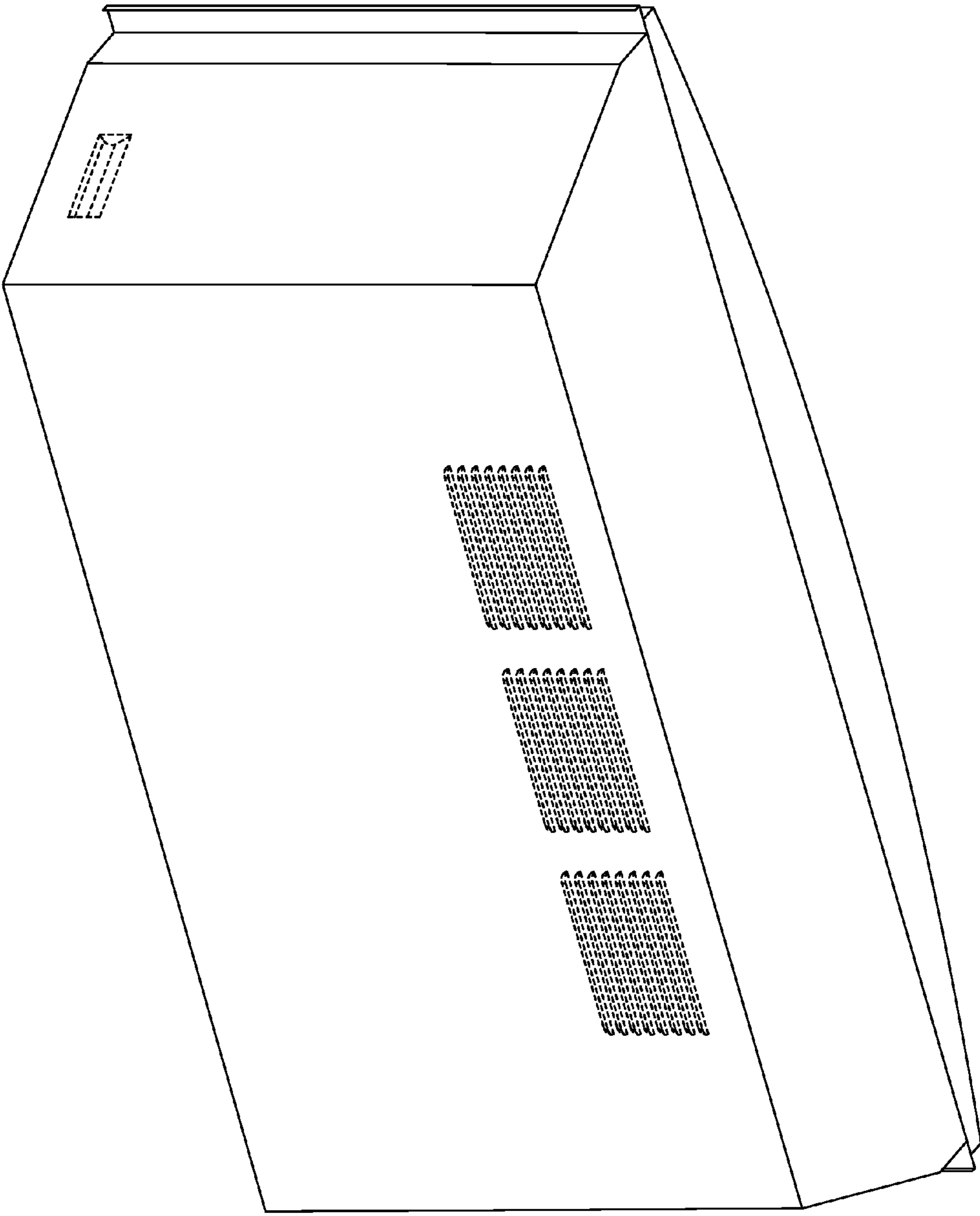


FIG. 66

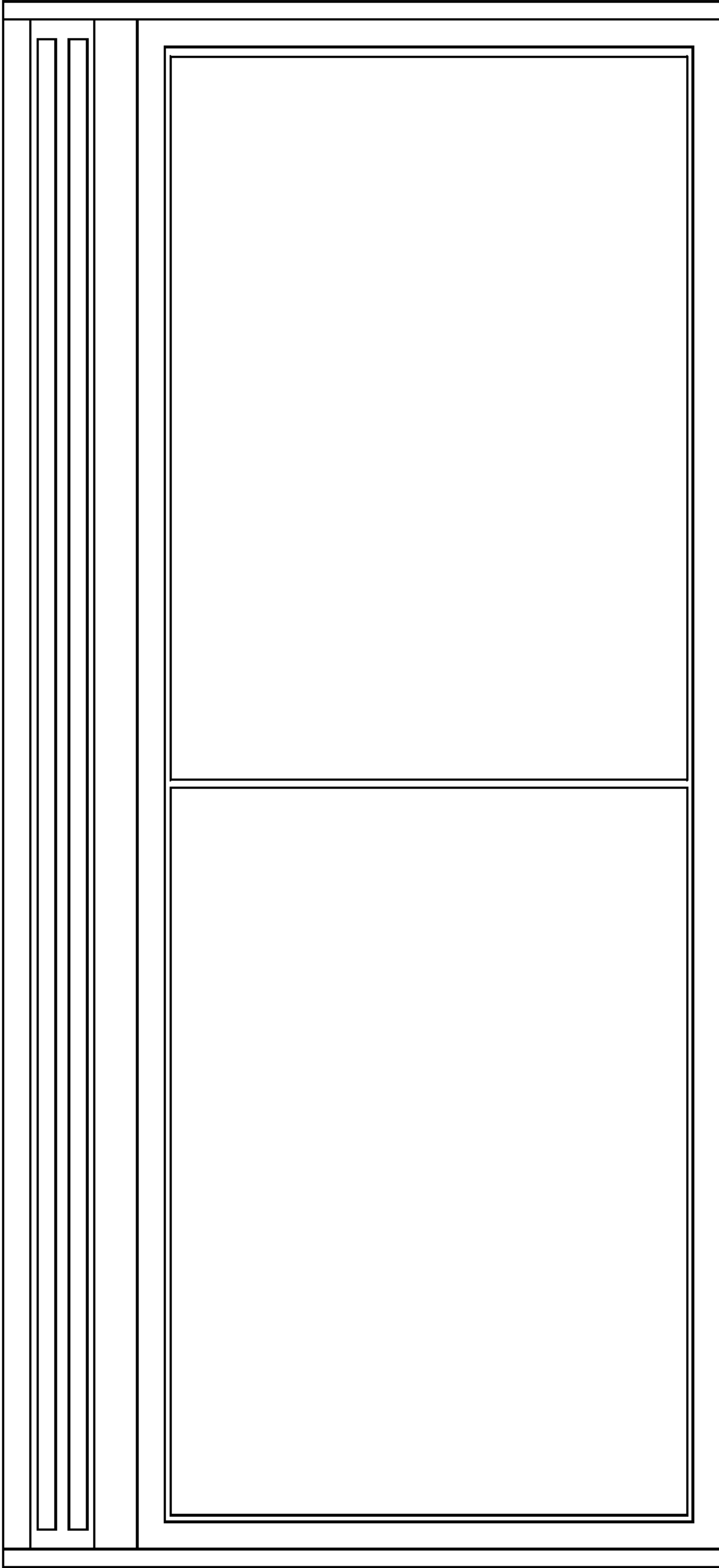


FIG. 67

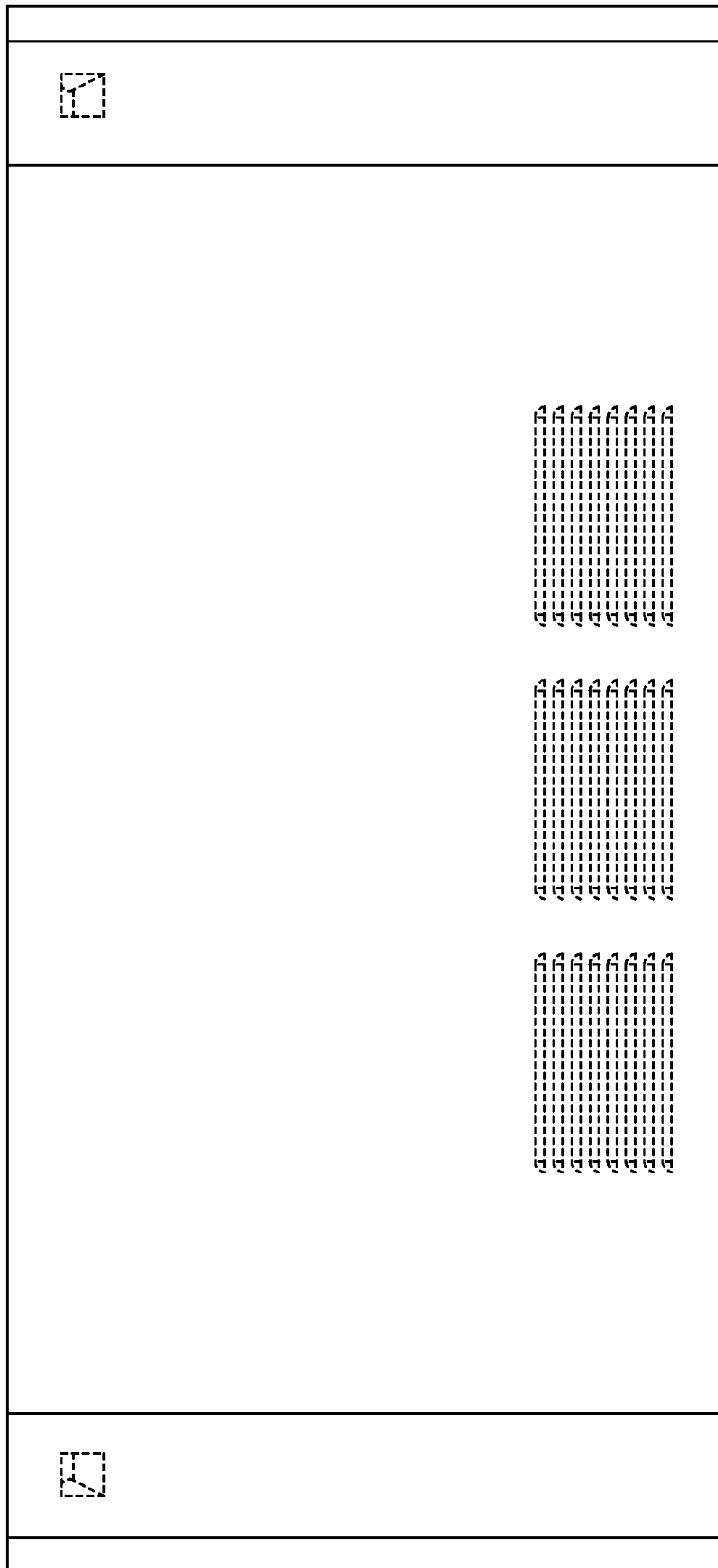


FIG. 68

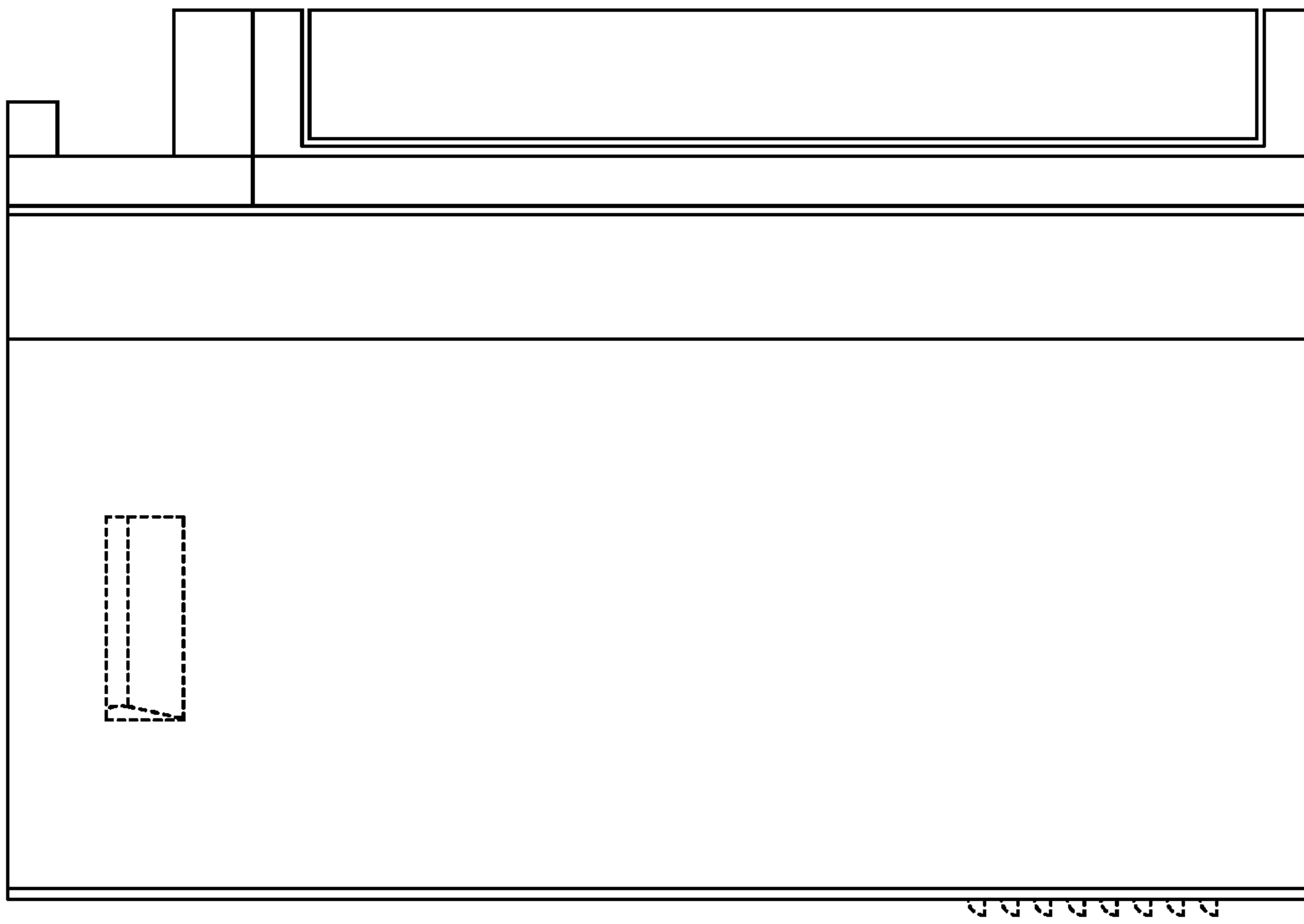


FIG. 69



FIG. 70

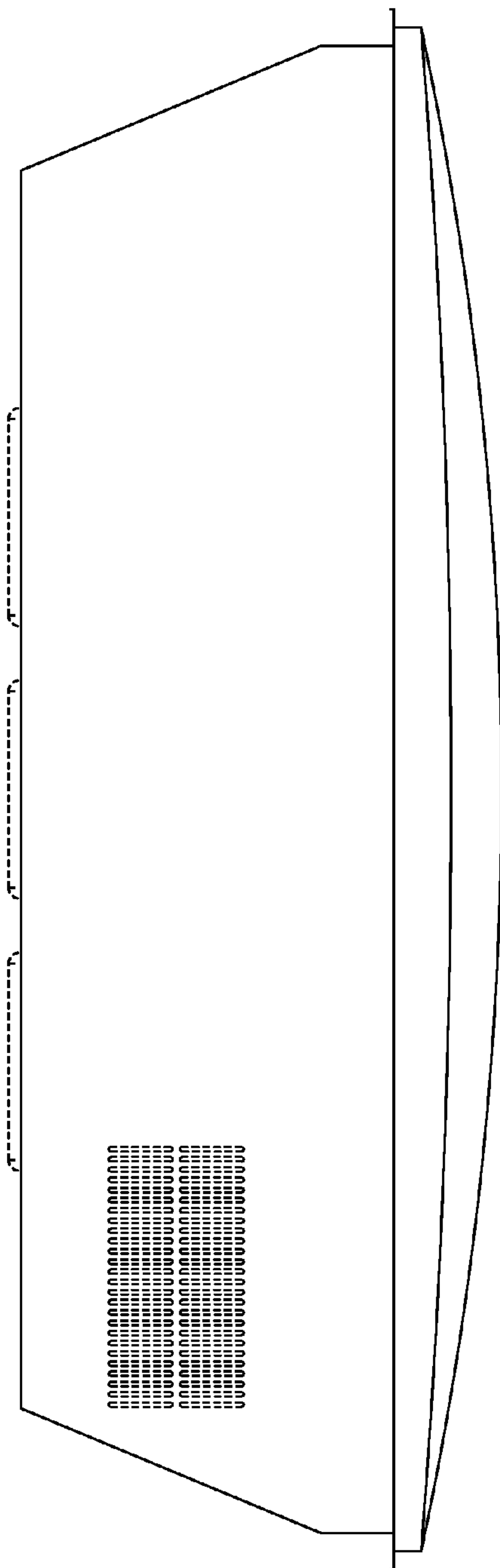


FIG. 71

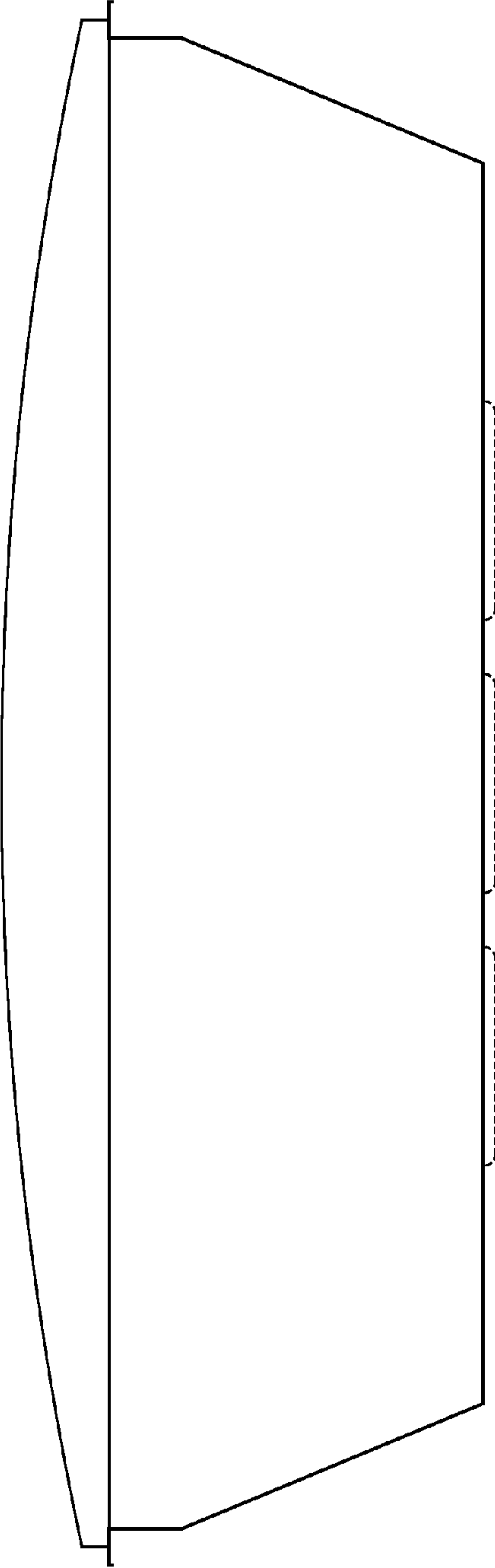


FIG. 72

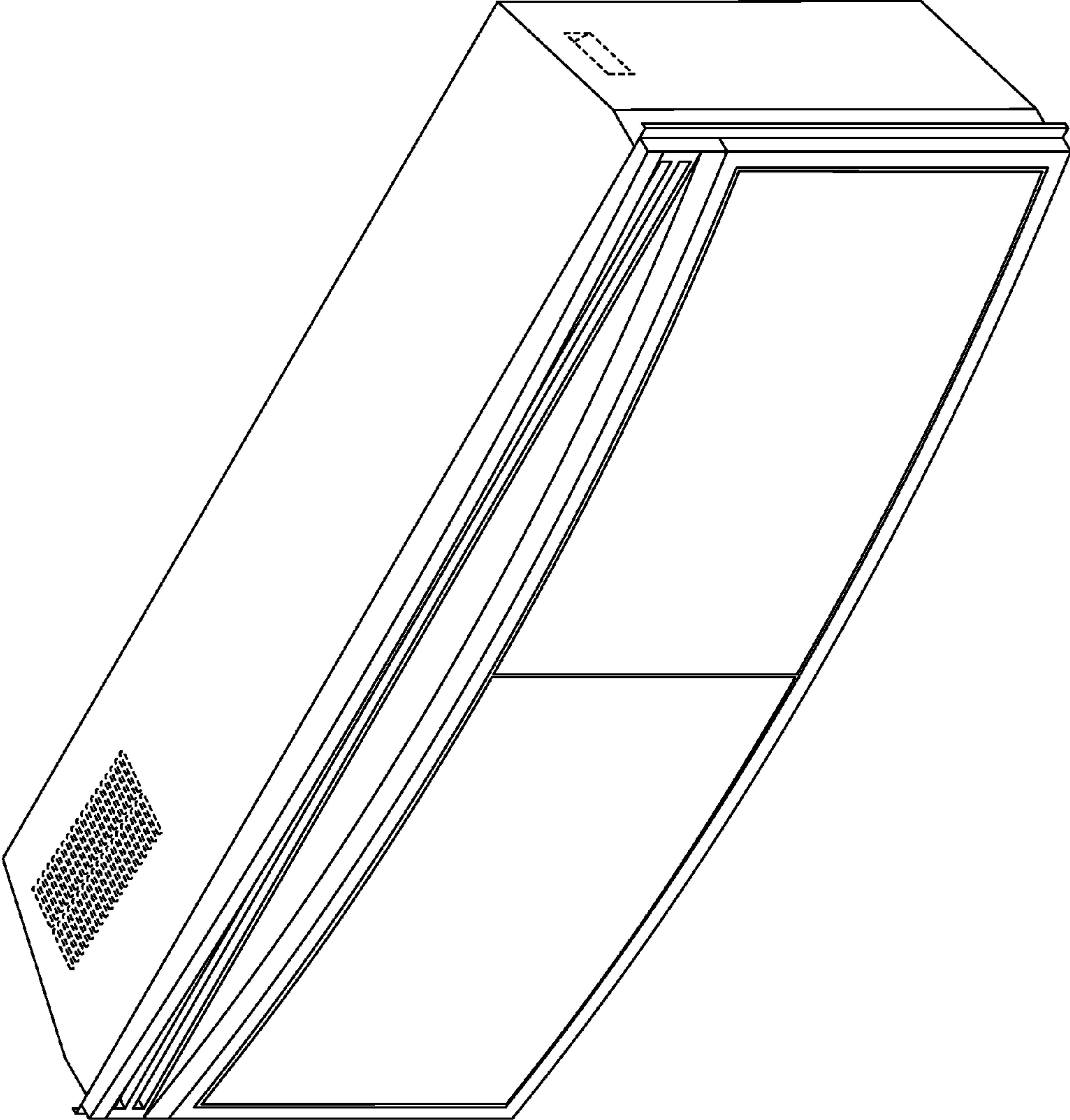


FIG. 73



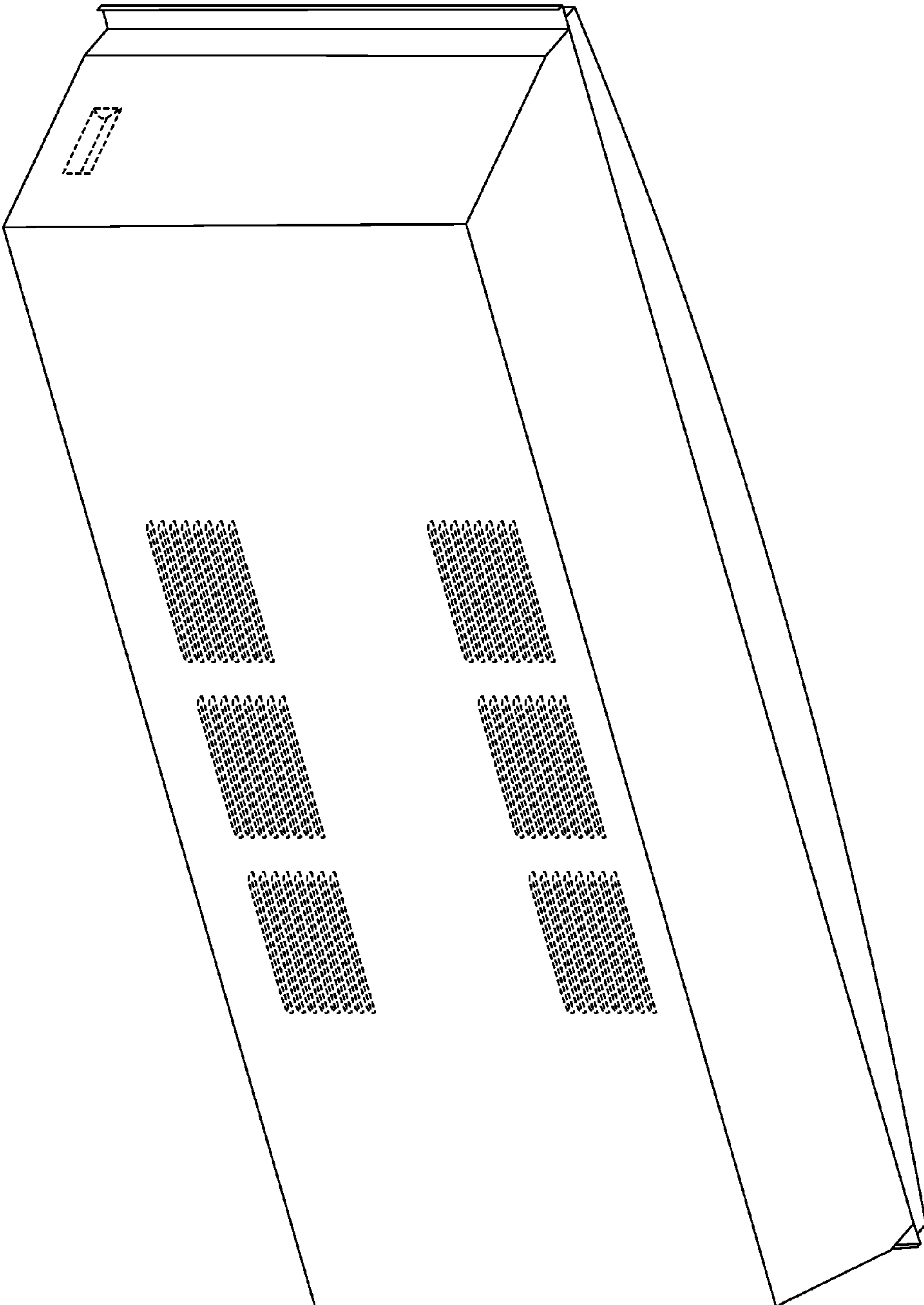


FIG. 74

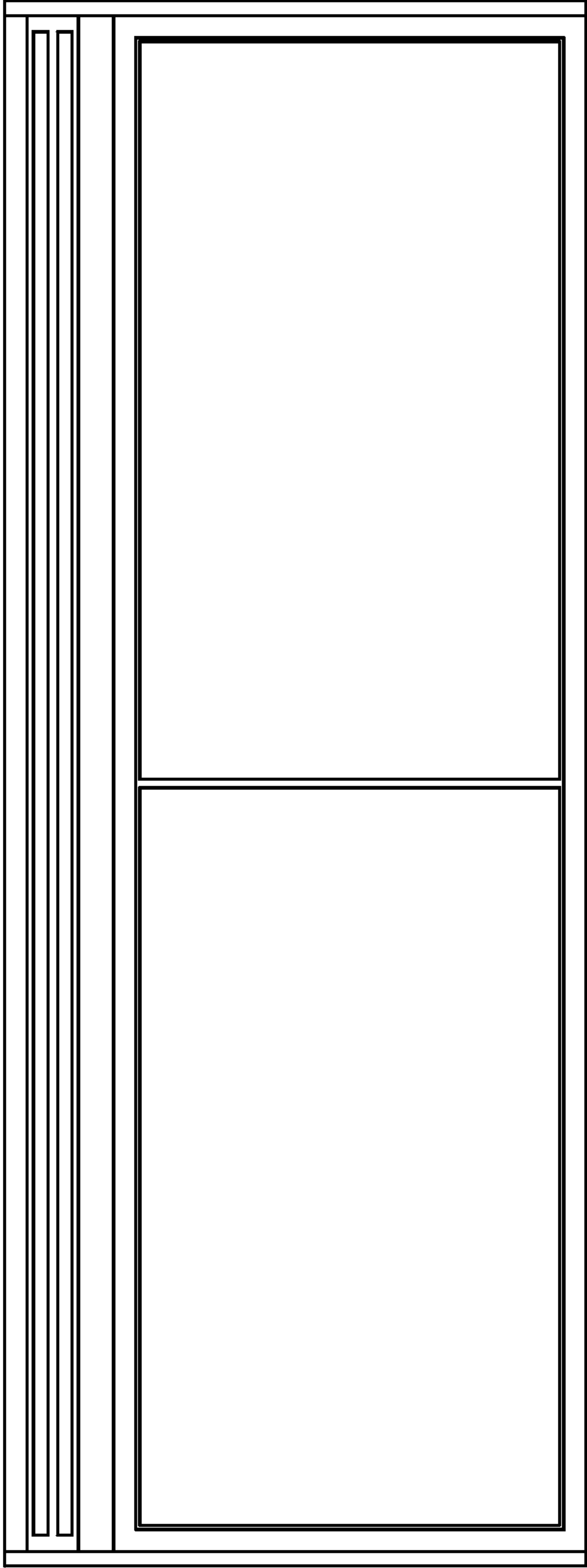


FIG. 75

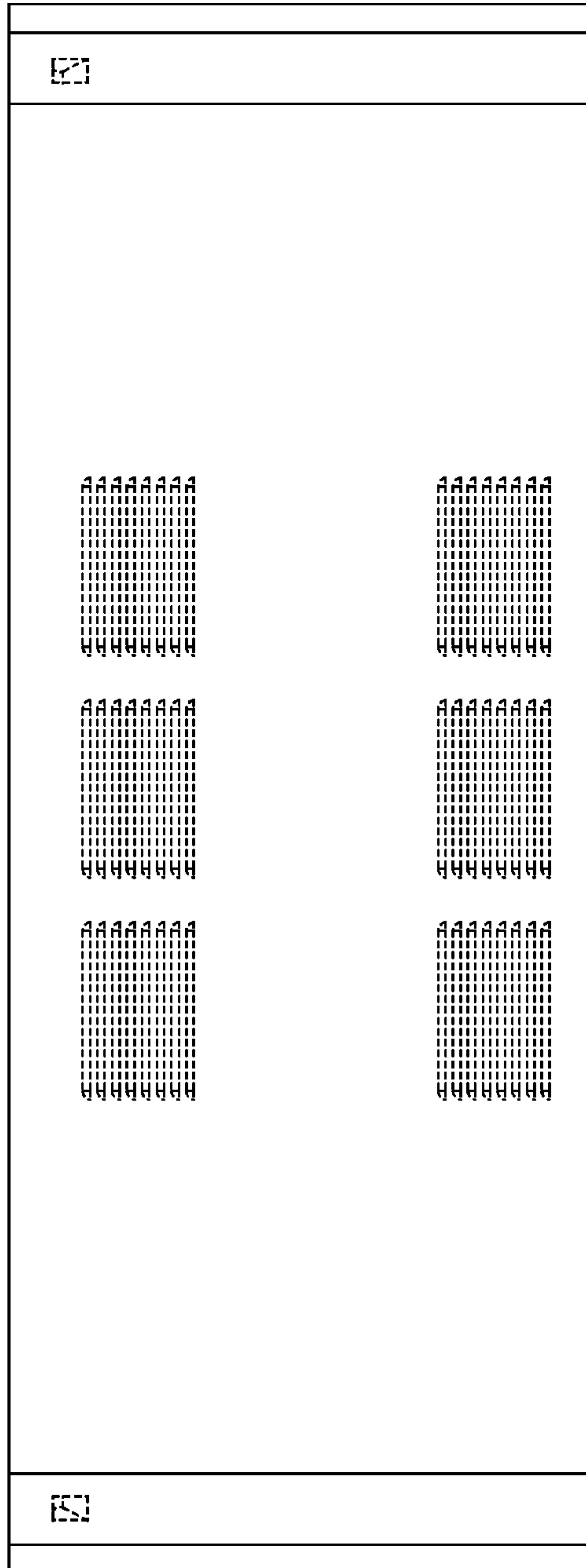


FIG. 76

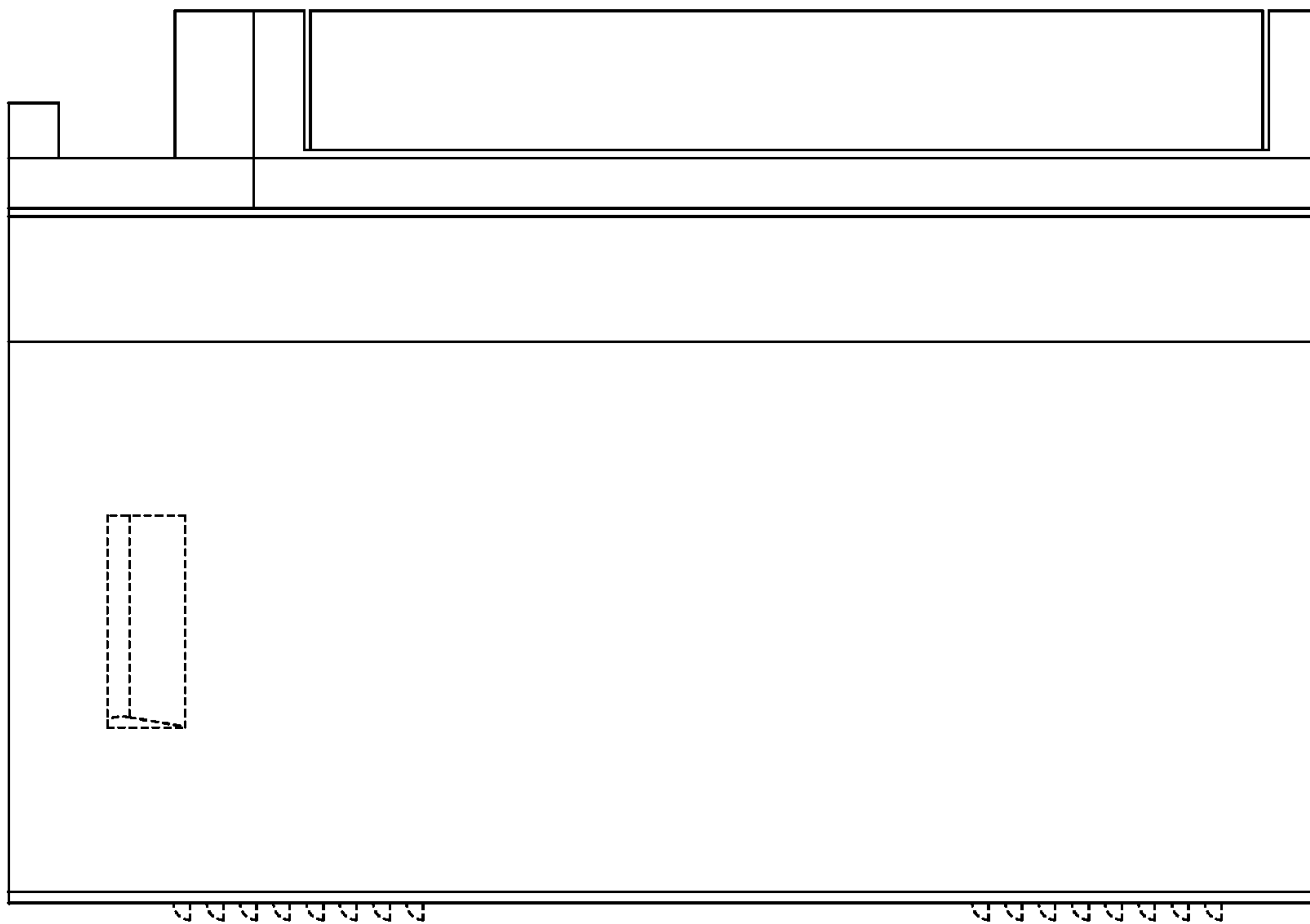


FIG. 77

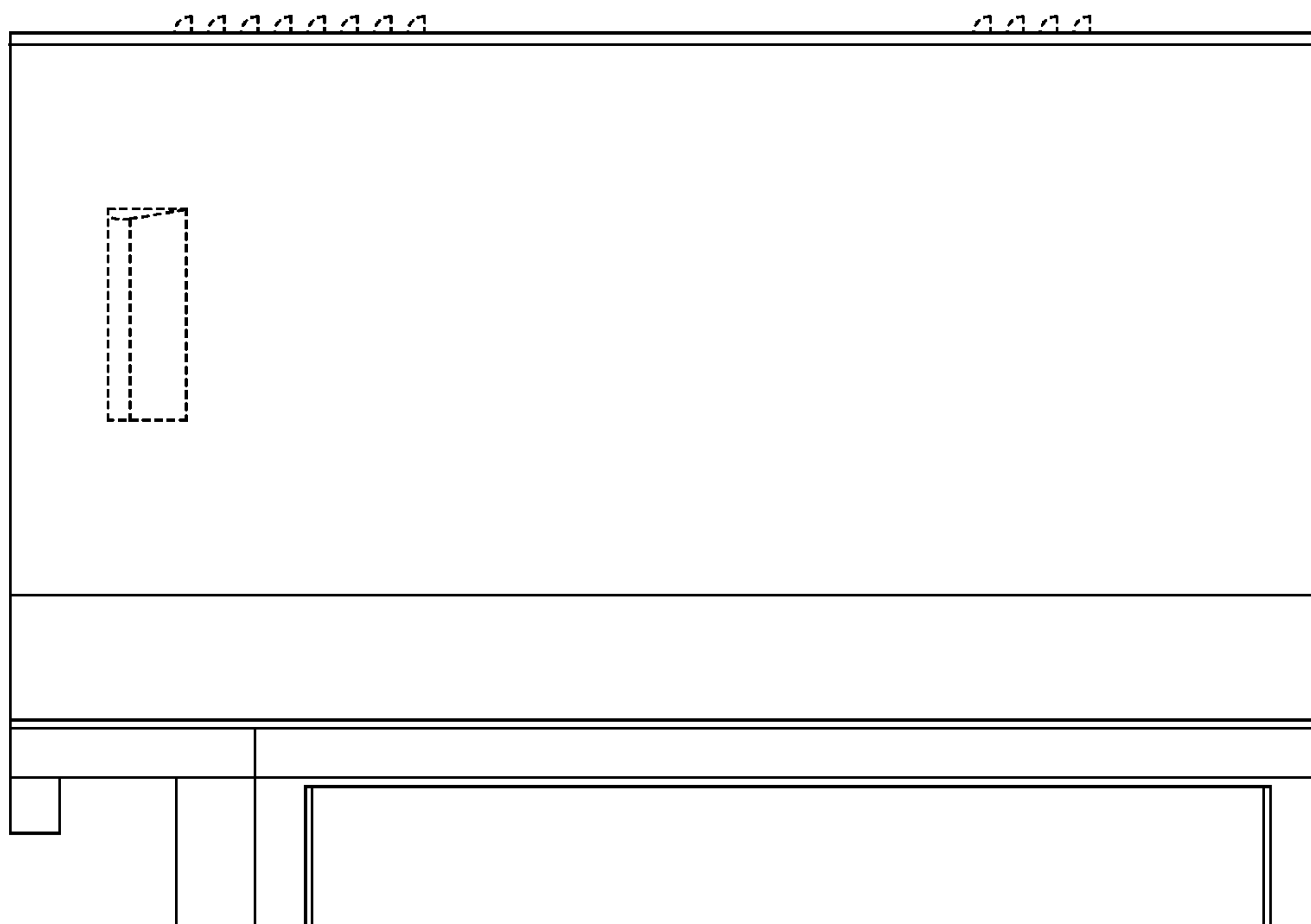


FIG. 78

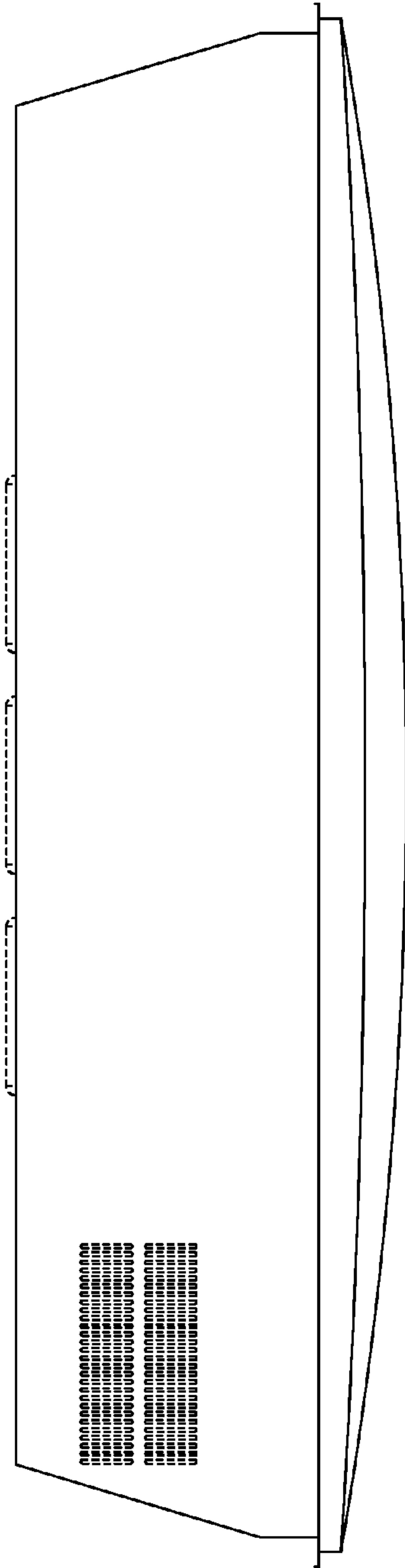


FIG. 79

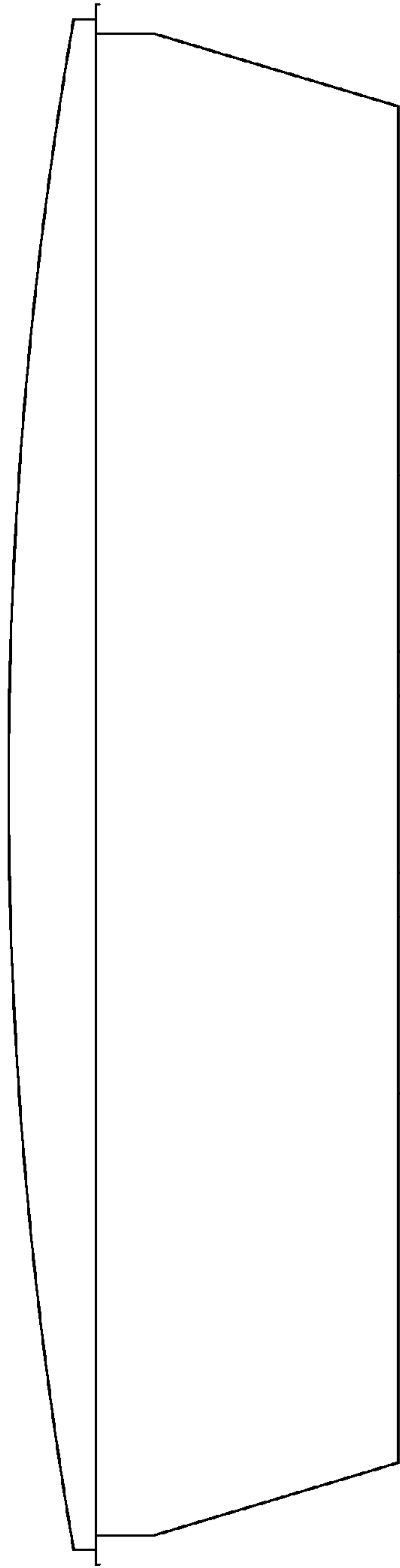


FIG. 80

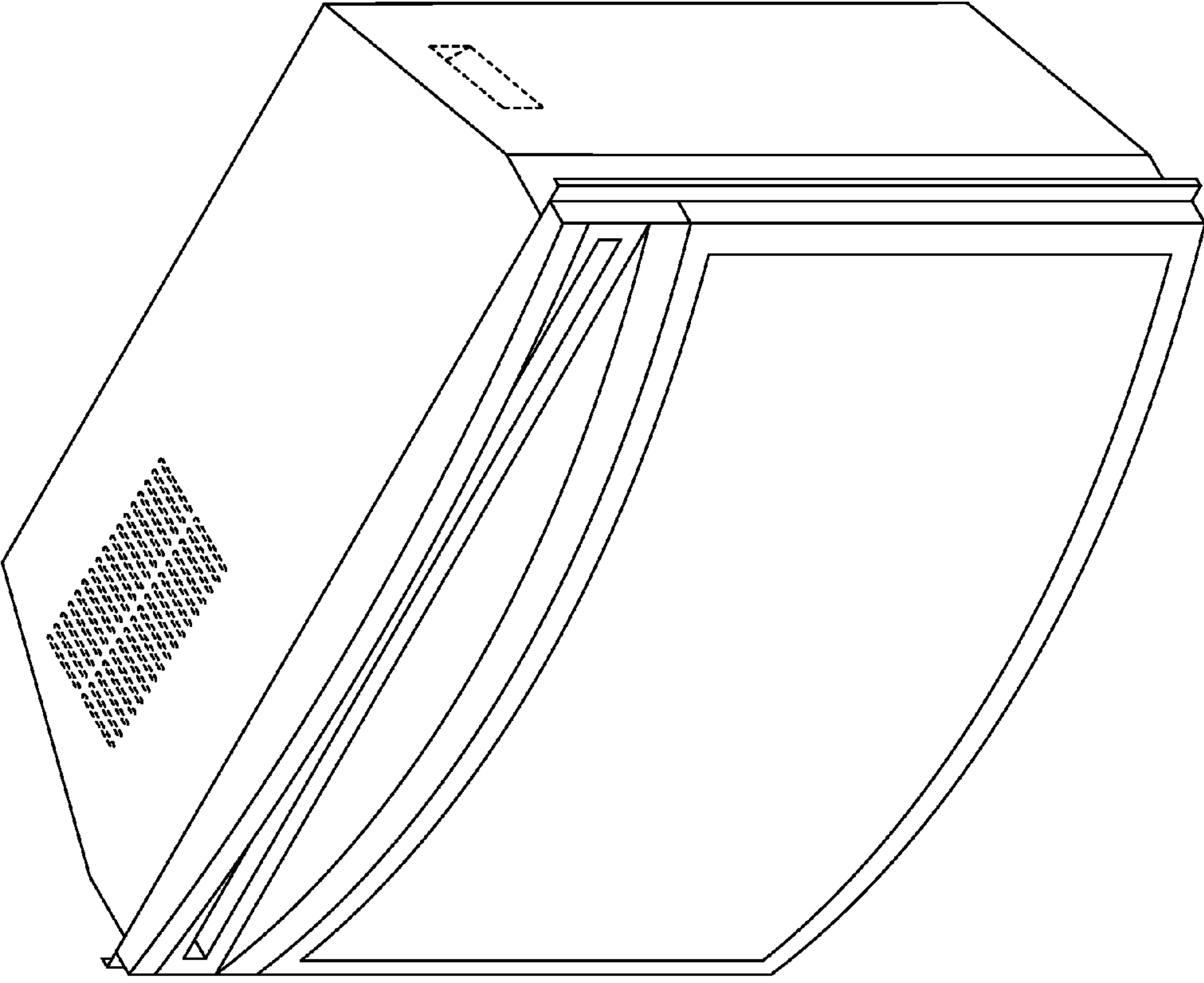


FIG. 81



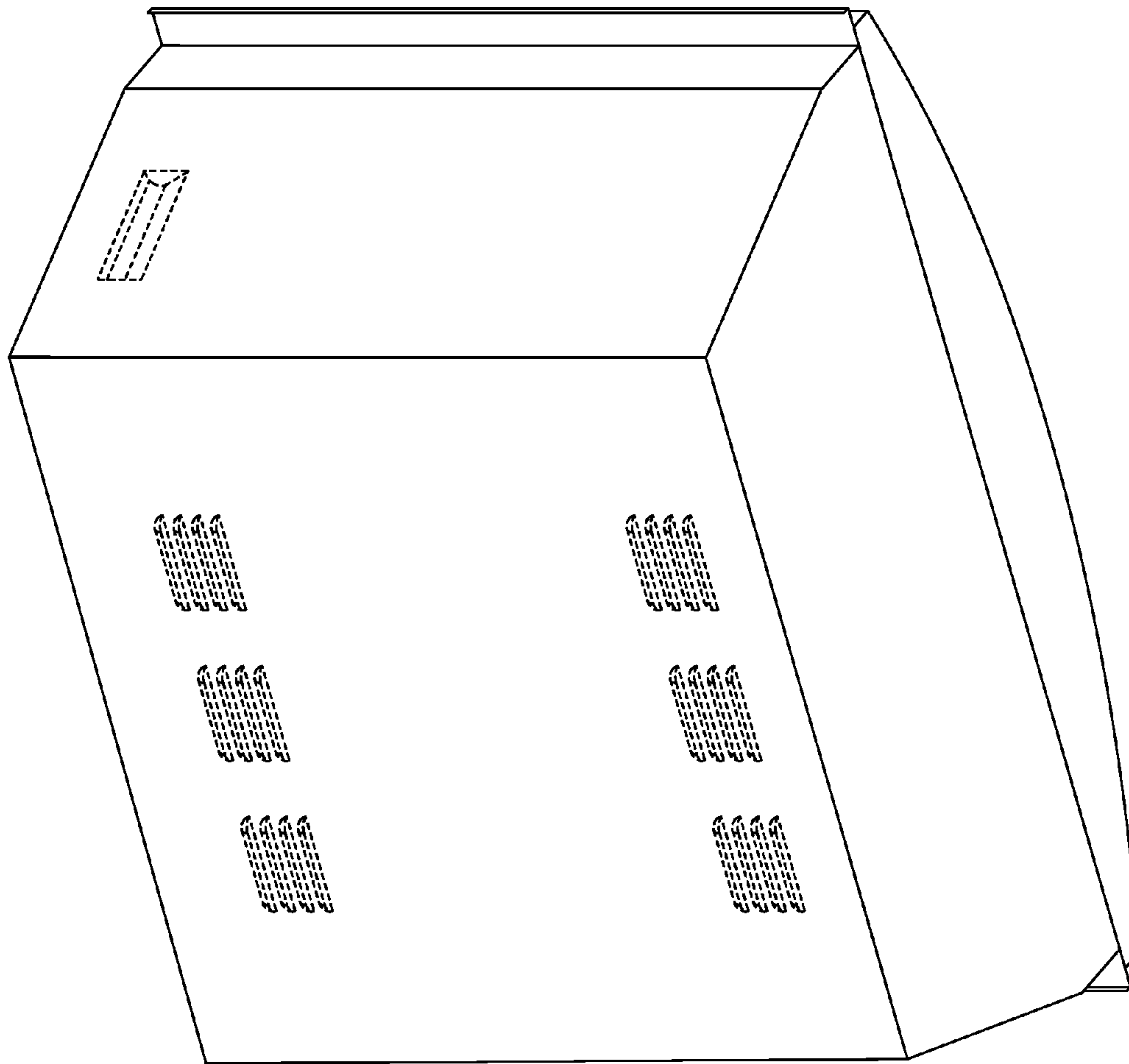


FIG. 82

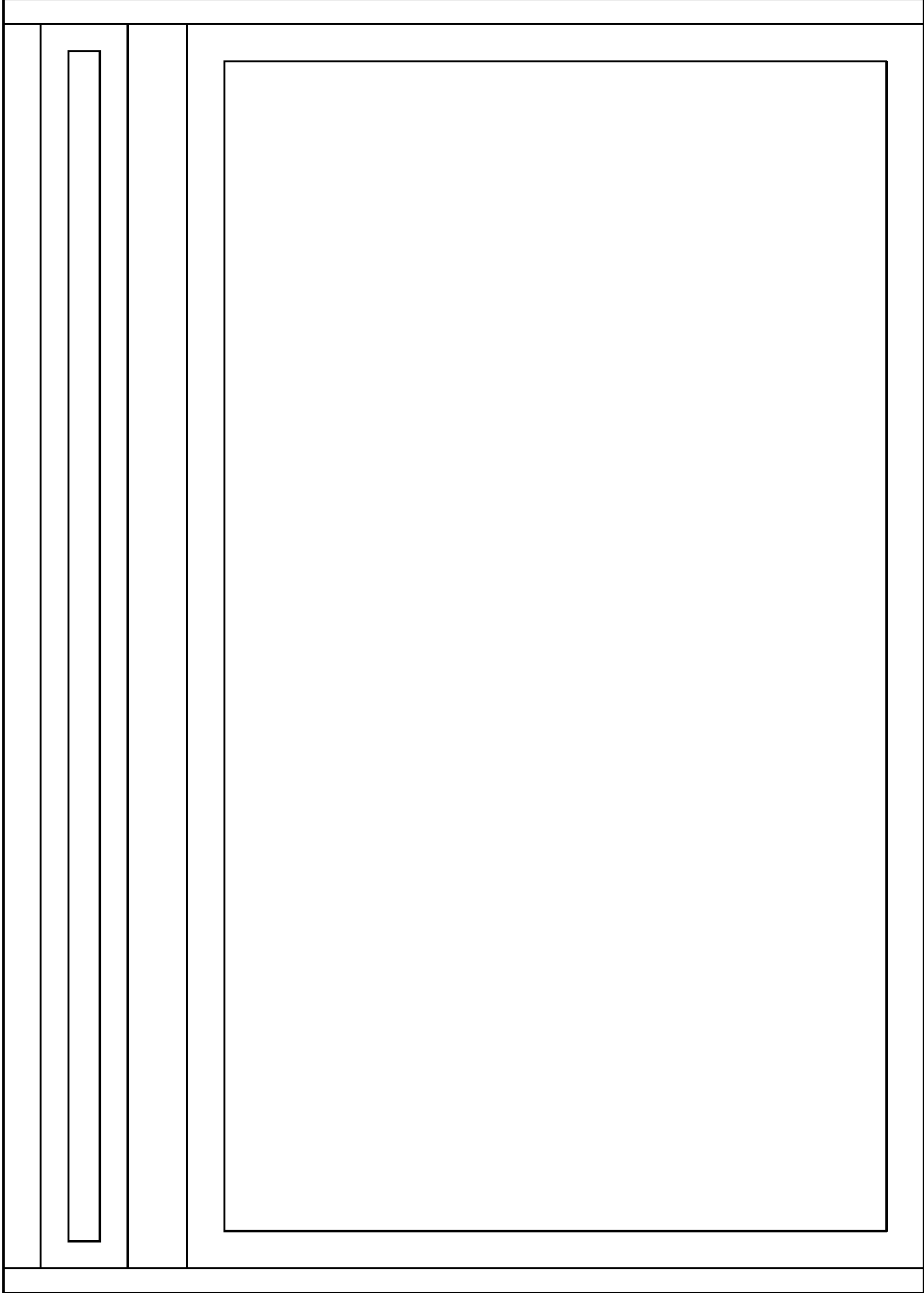


FIG. 83

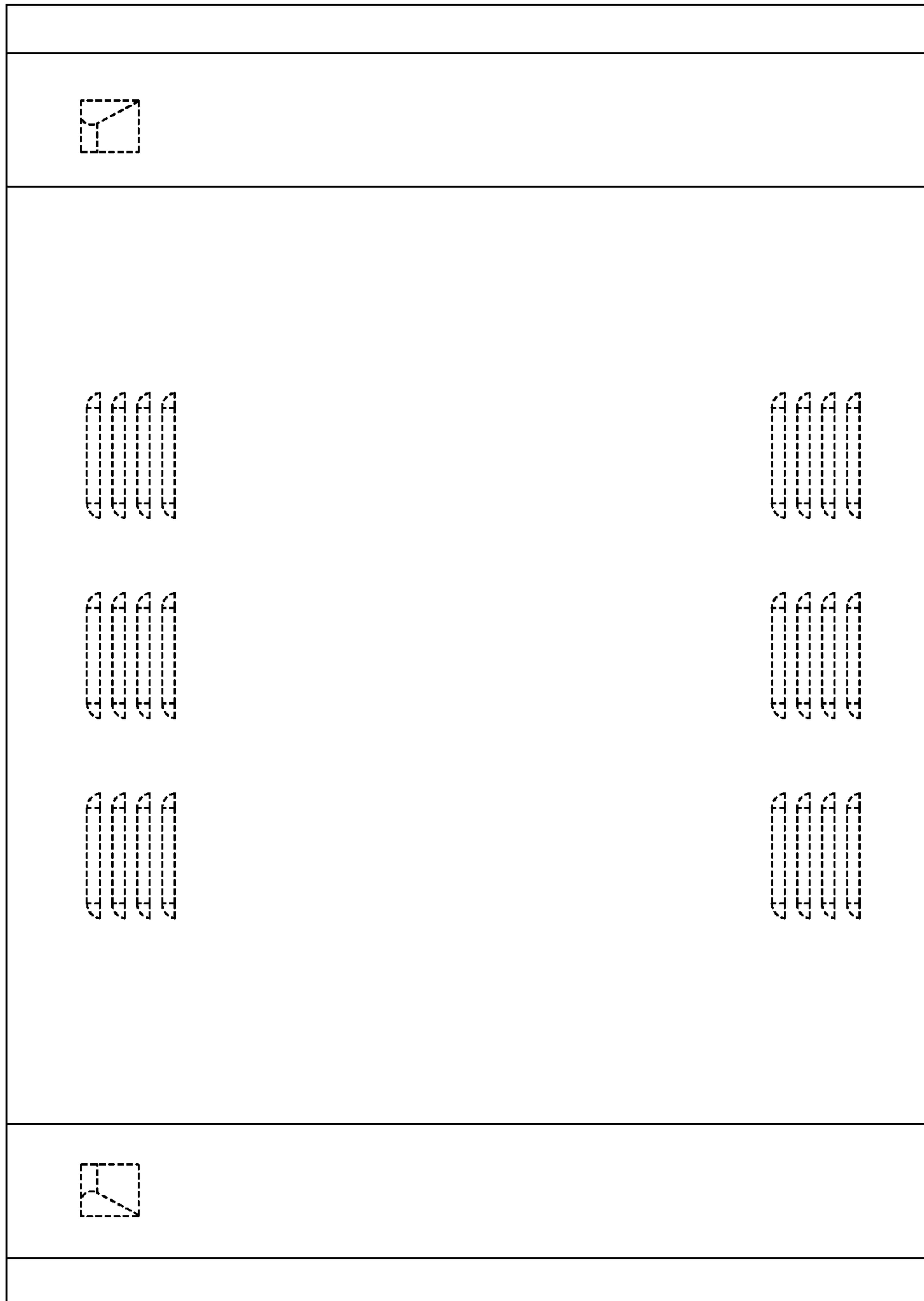


FIG. 84

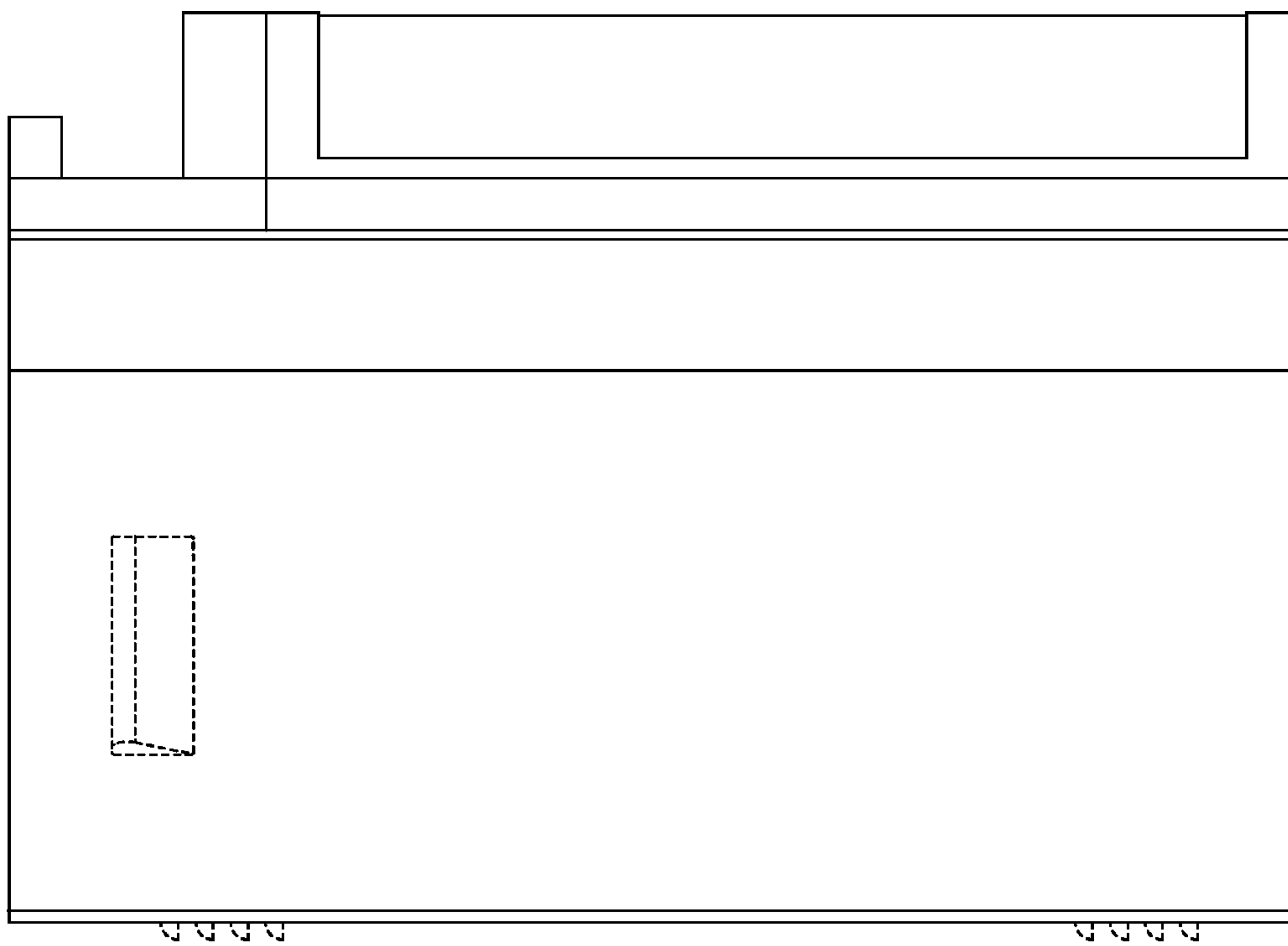


FIG. 85

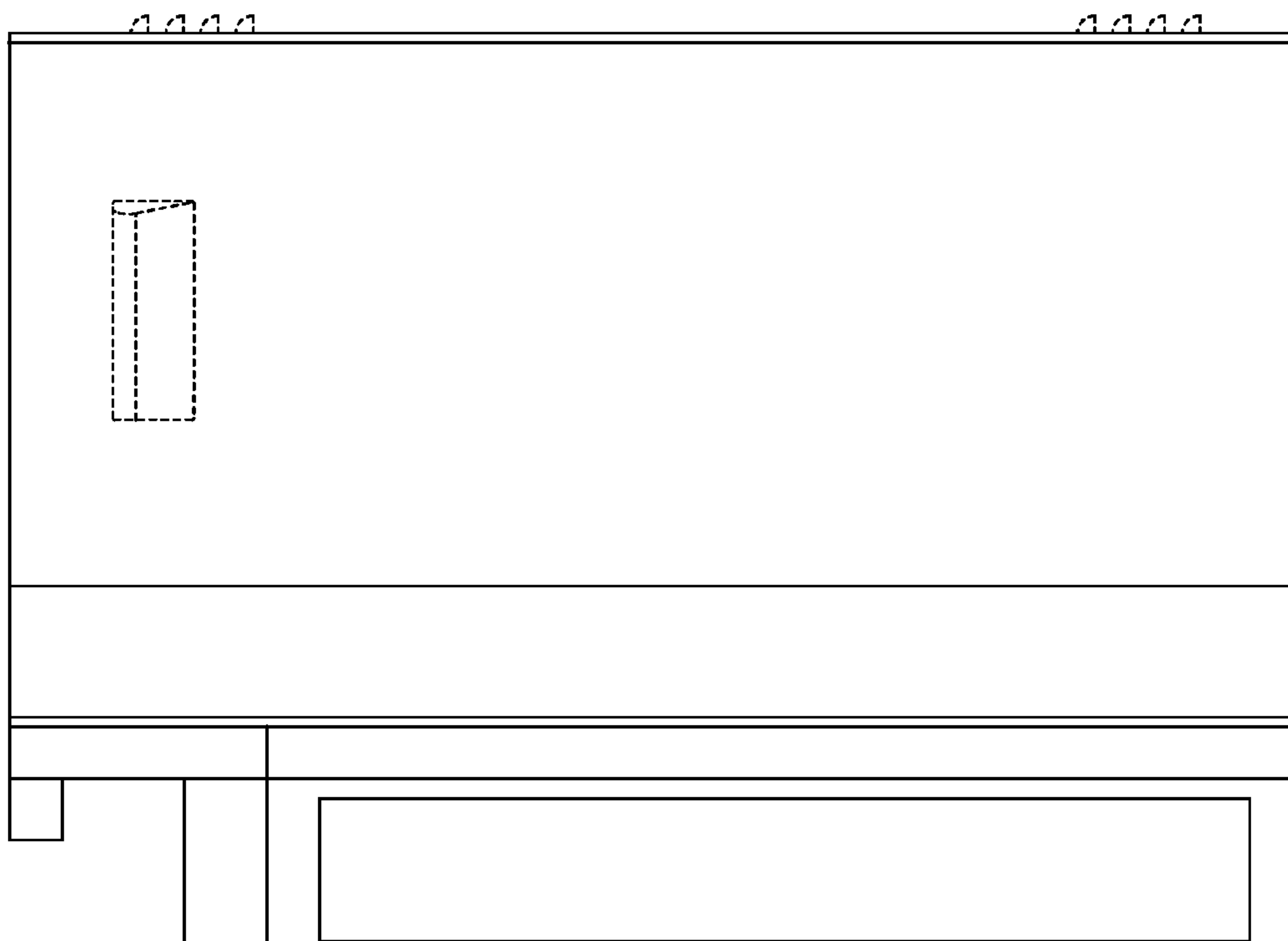


FIG. 86

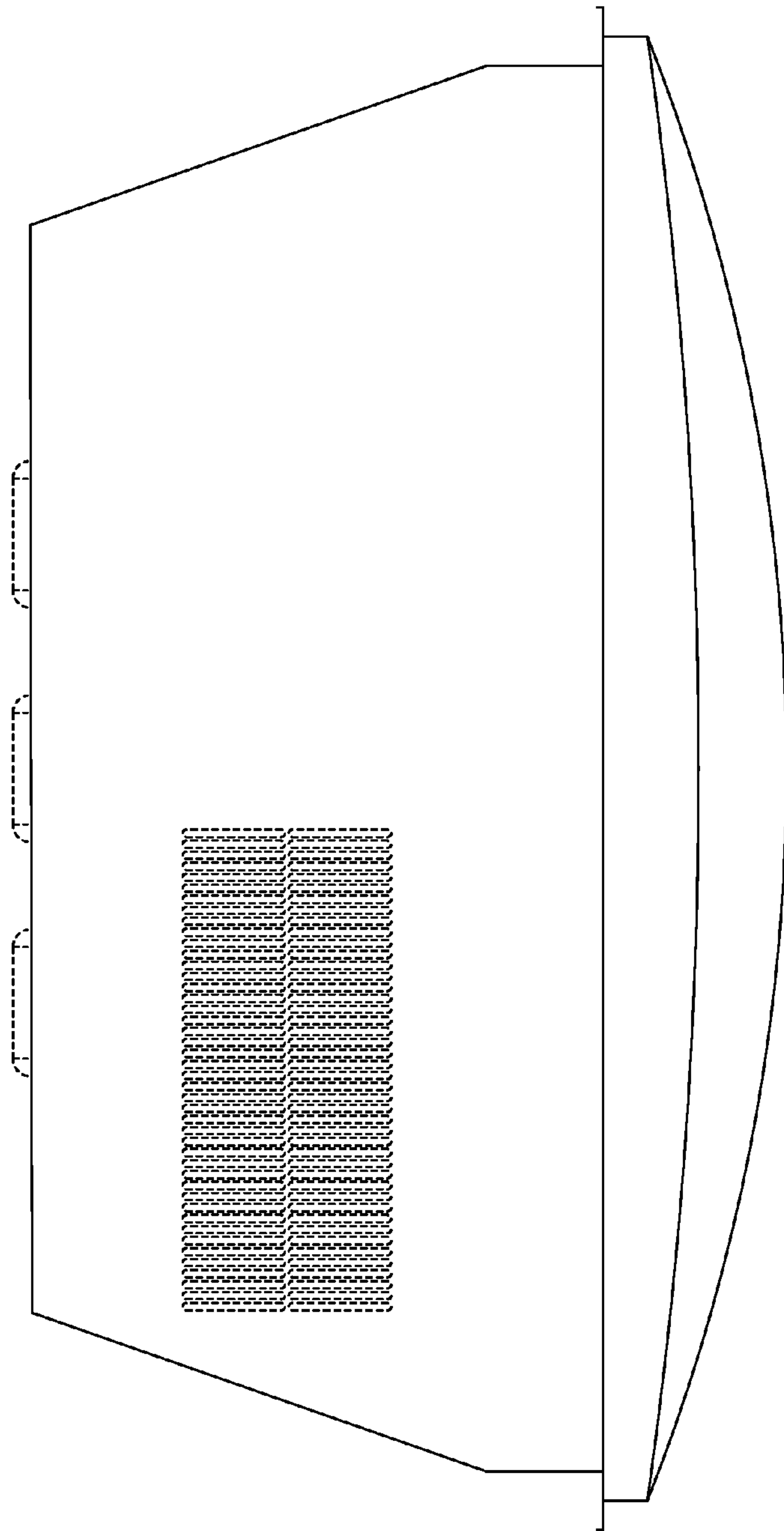


FIG. 87

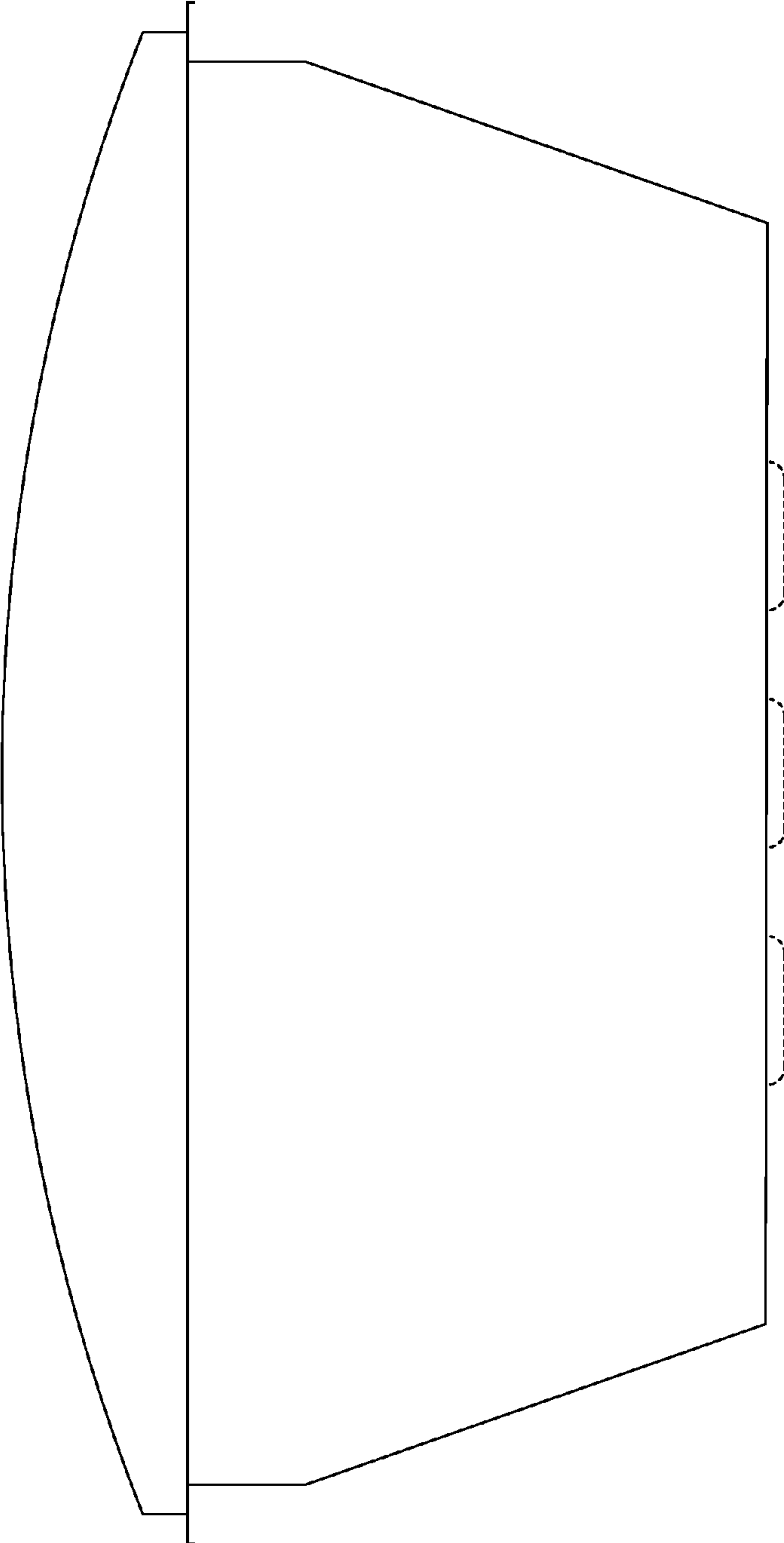


FIG. 88

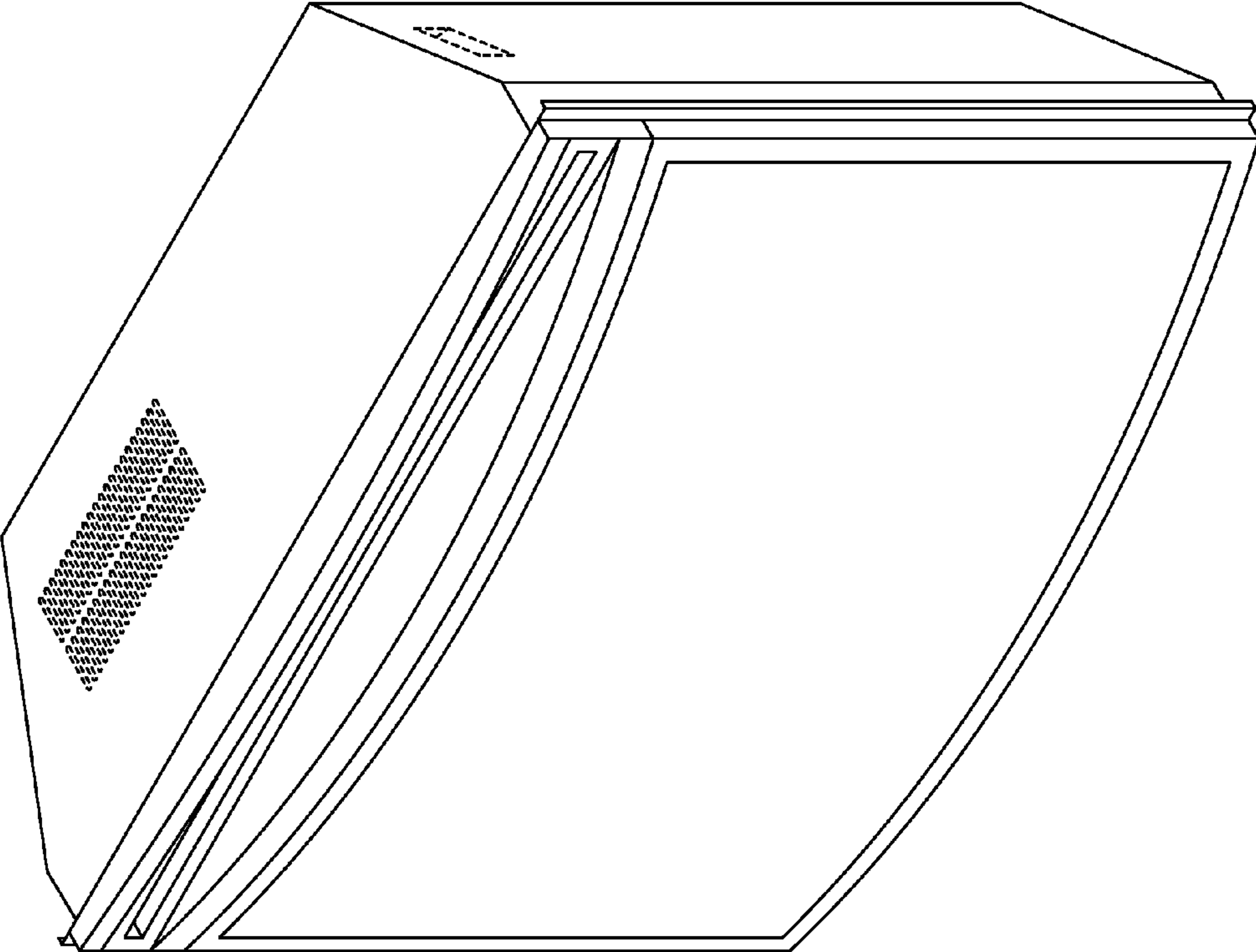


FIG. 89



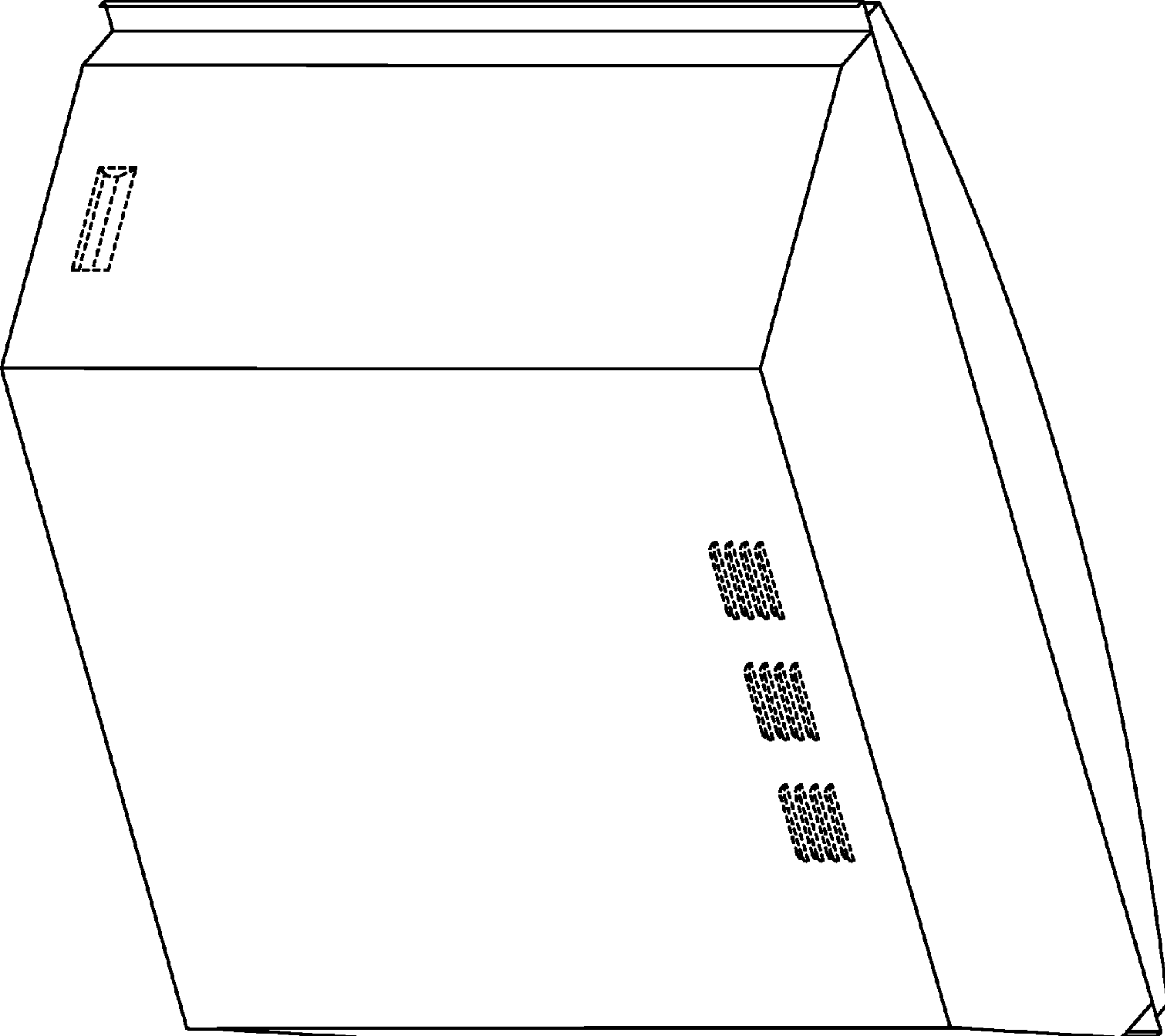


FIG. 90

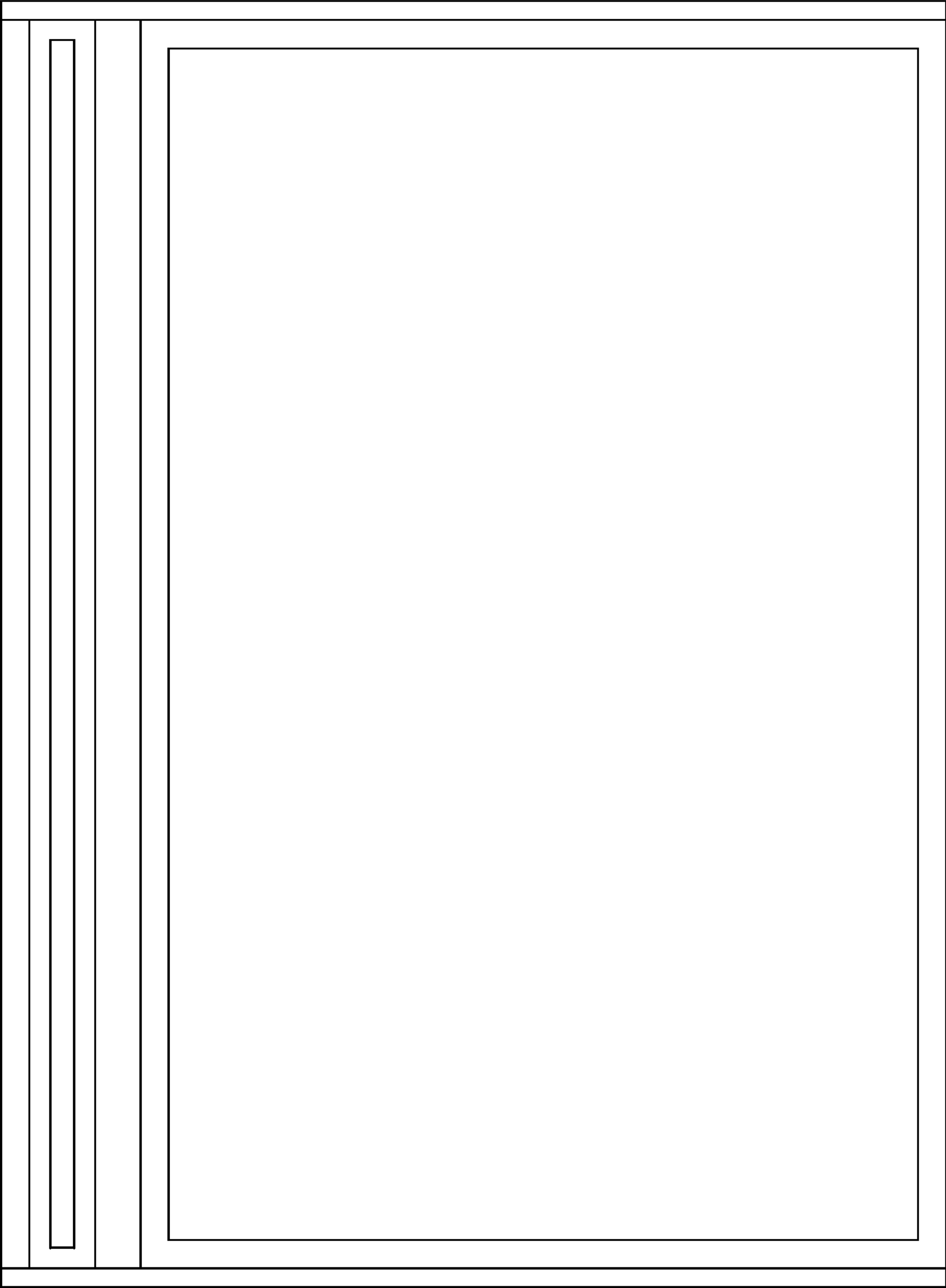


FIG. 91

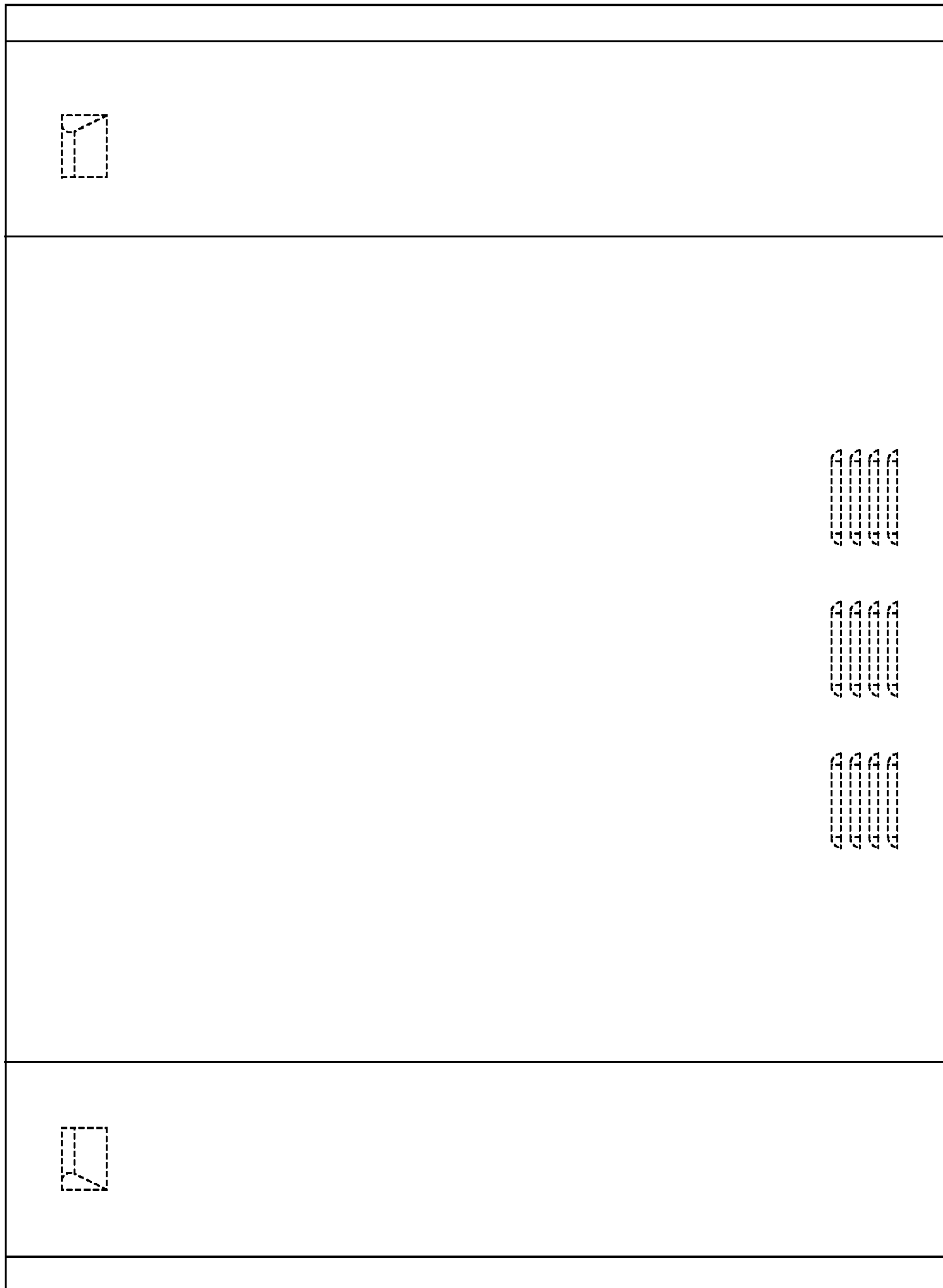


FIG. 92

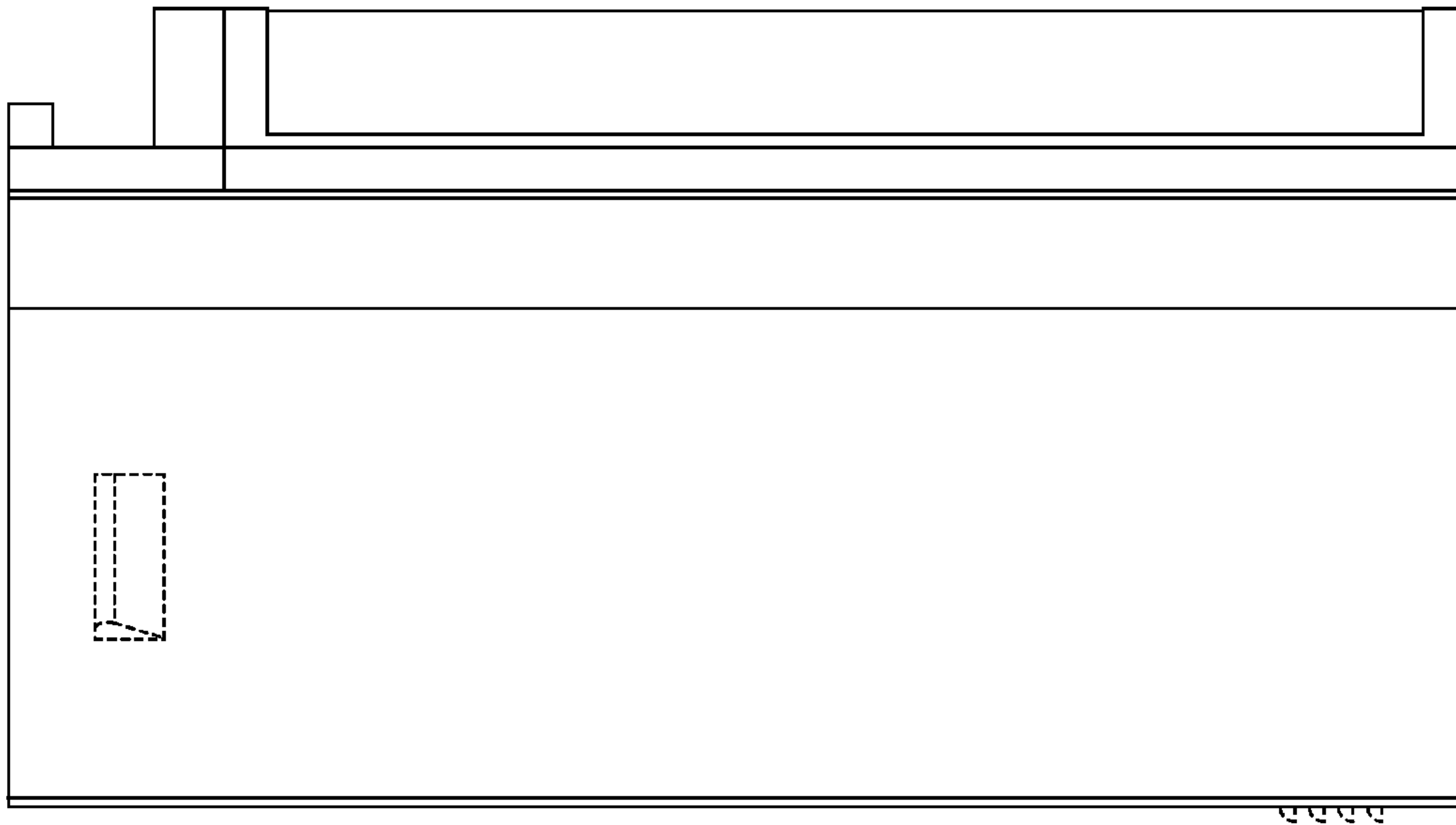


FIG. 93

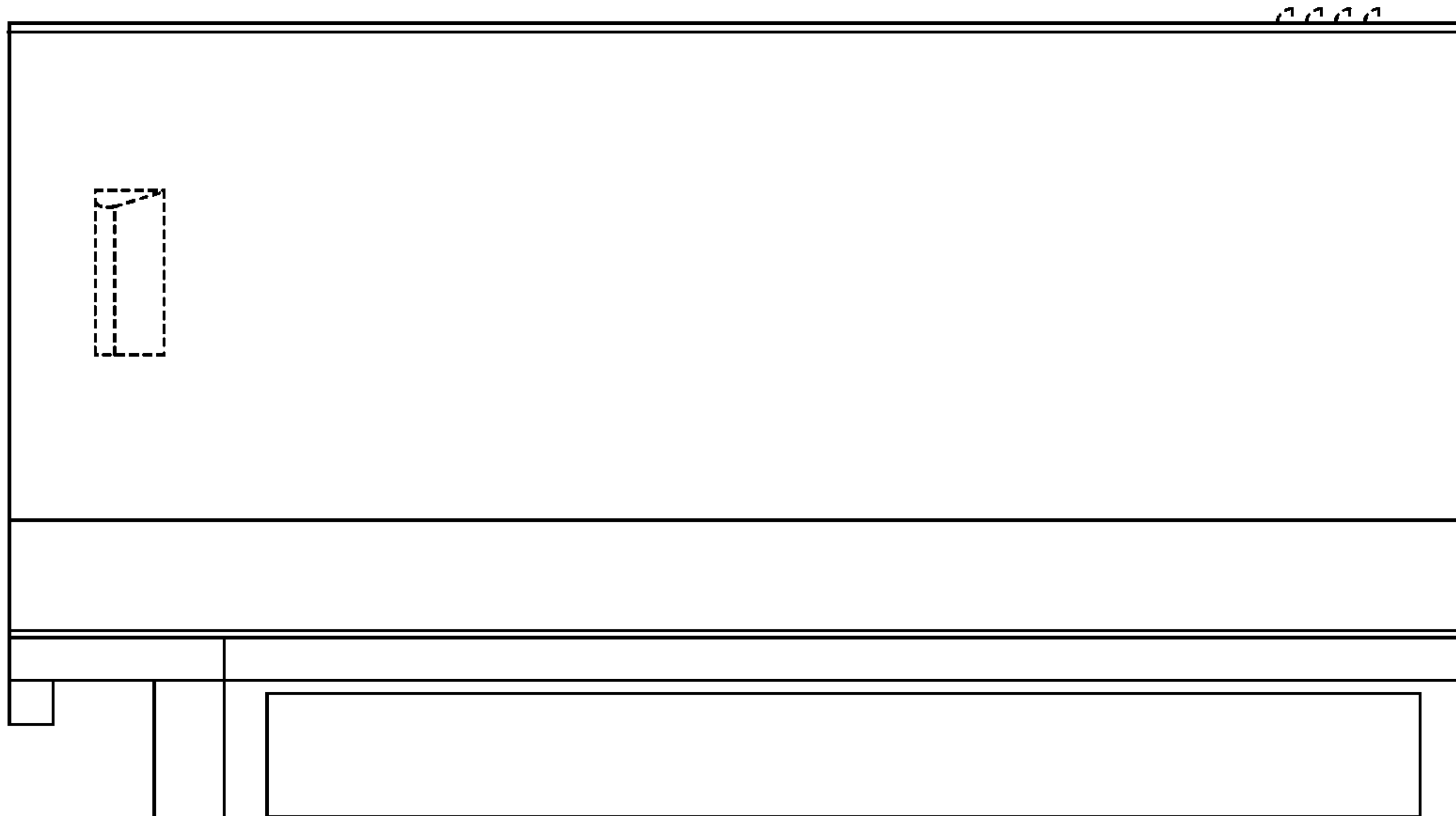


FIG. 94

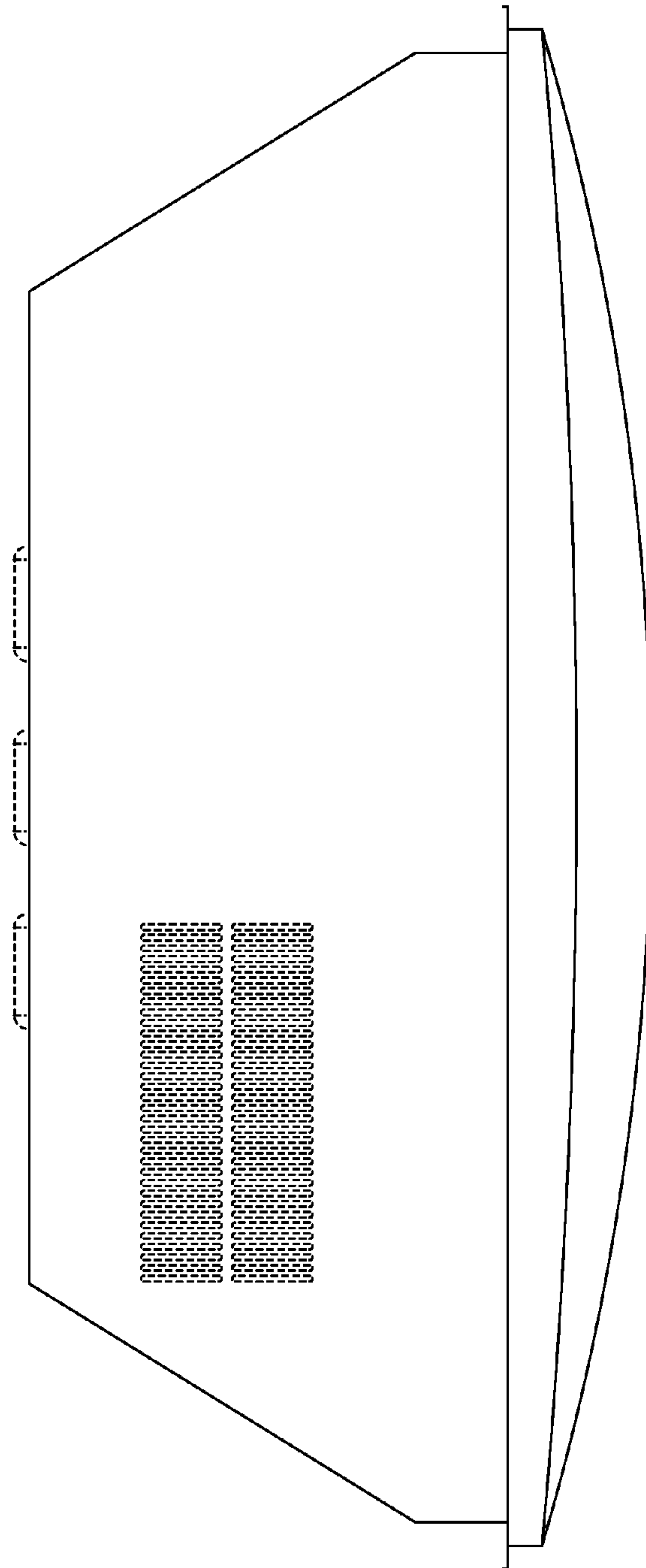


FIG. 95

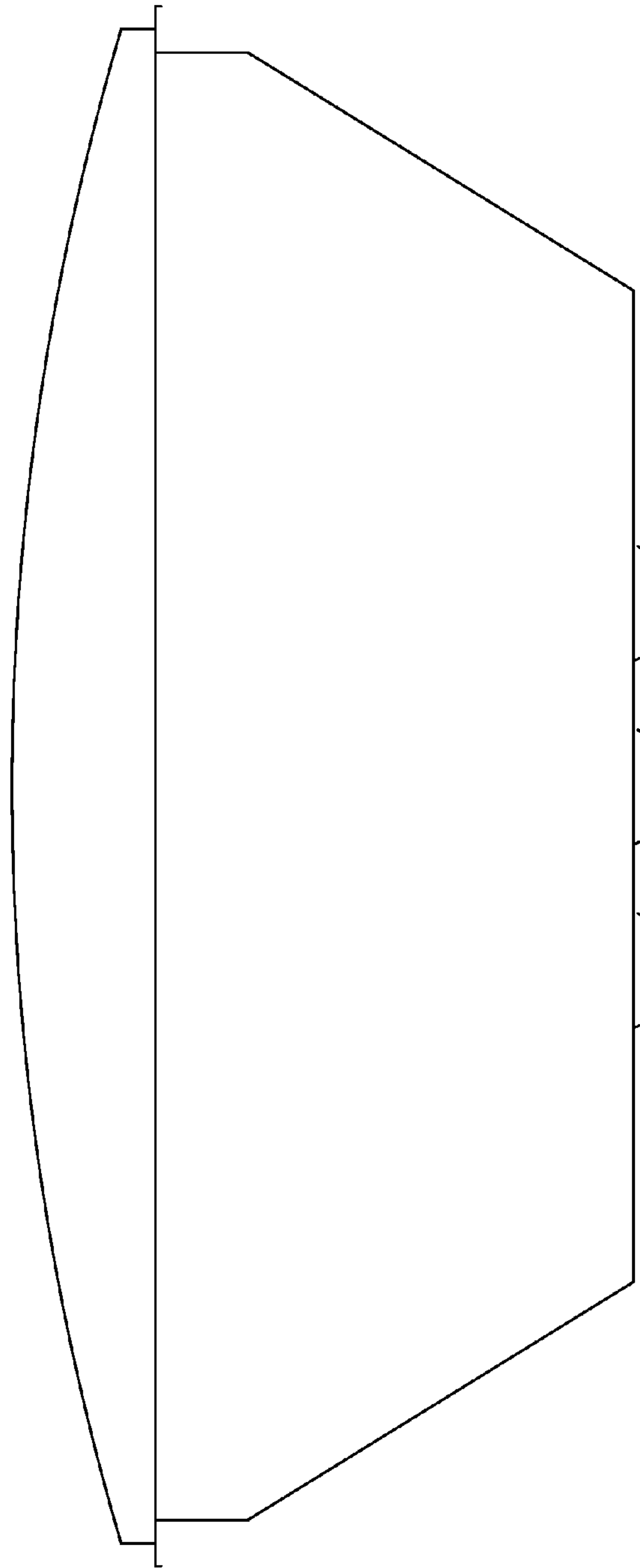


FIG. 96

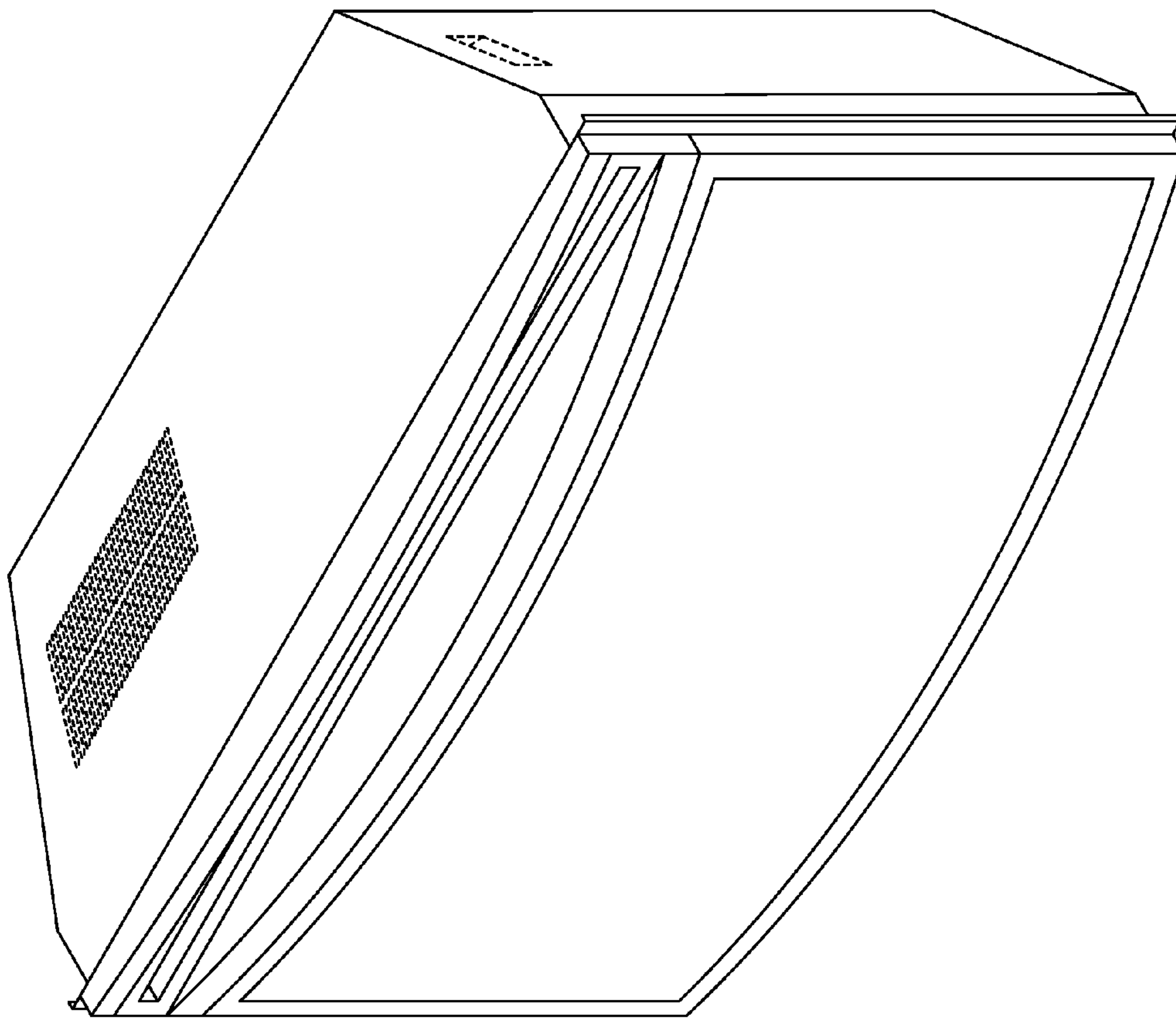


FIG. 97



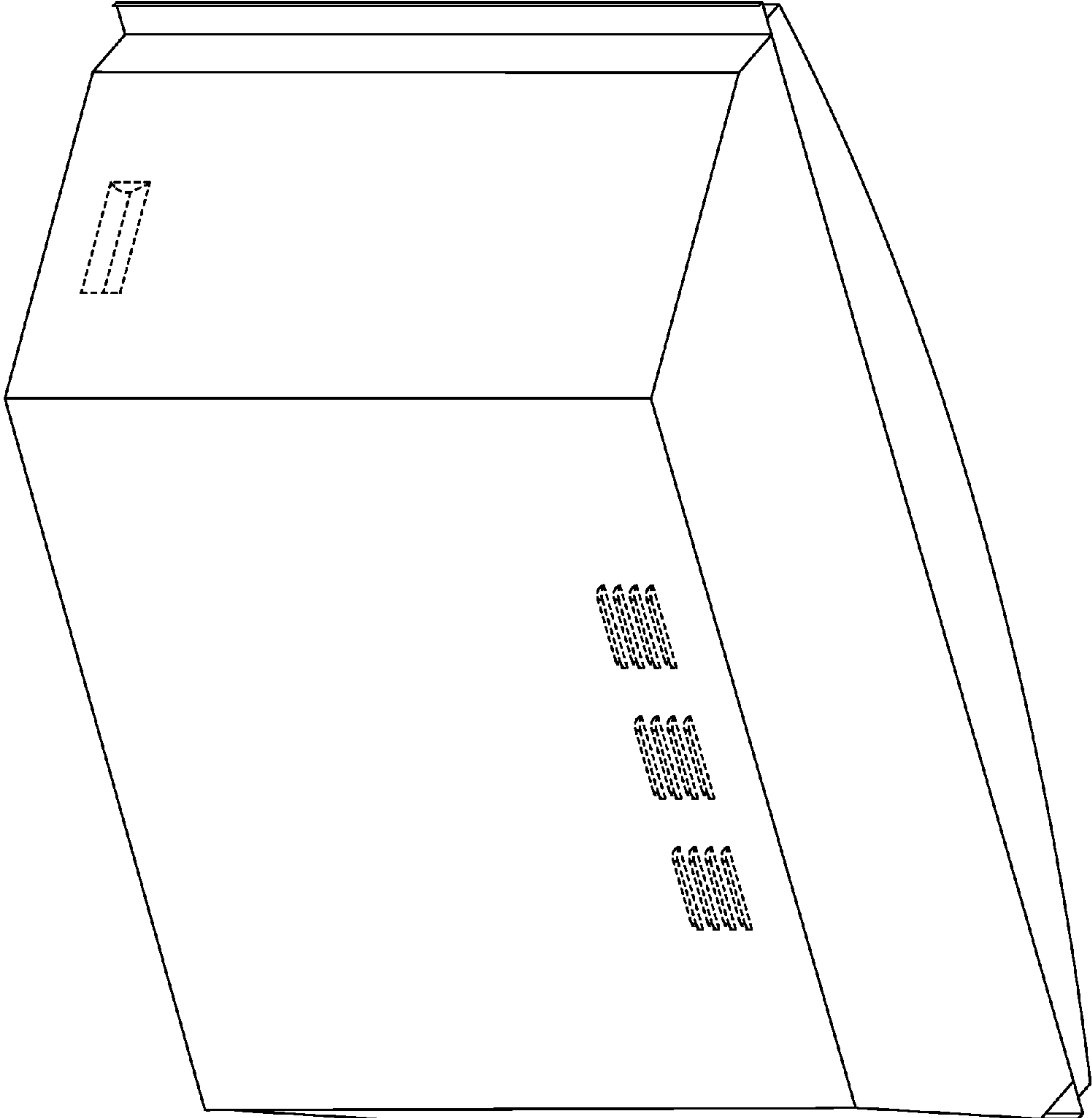


FIG. 98

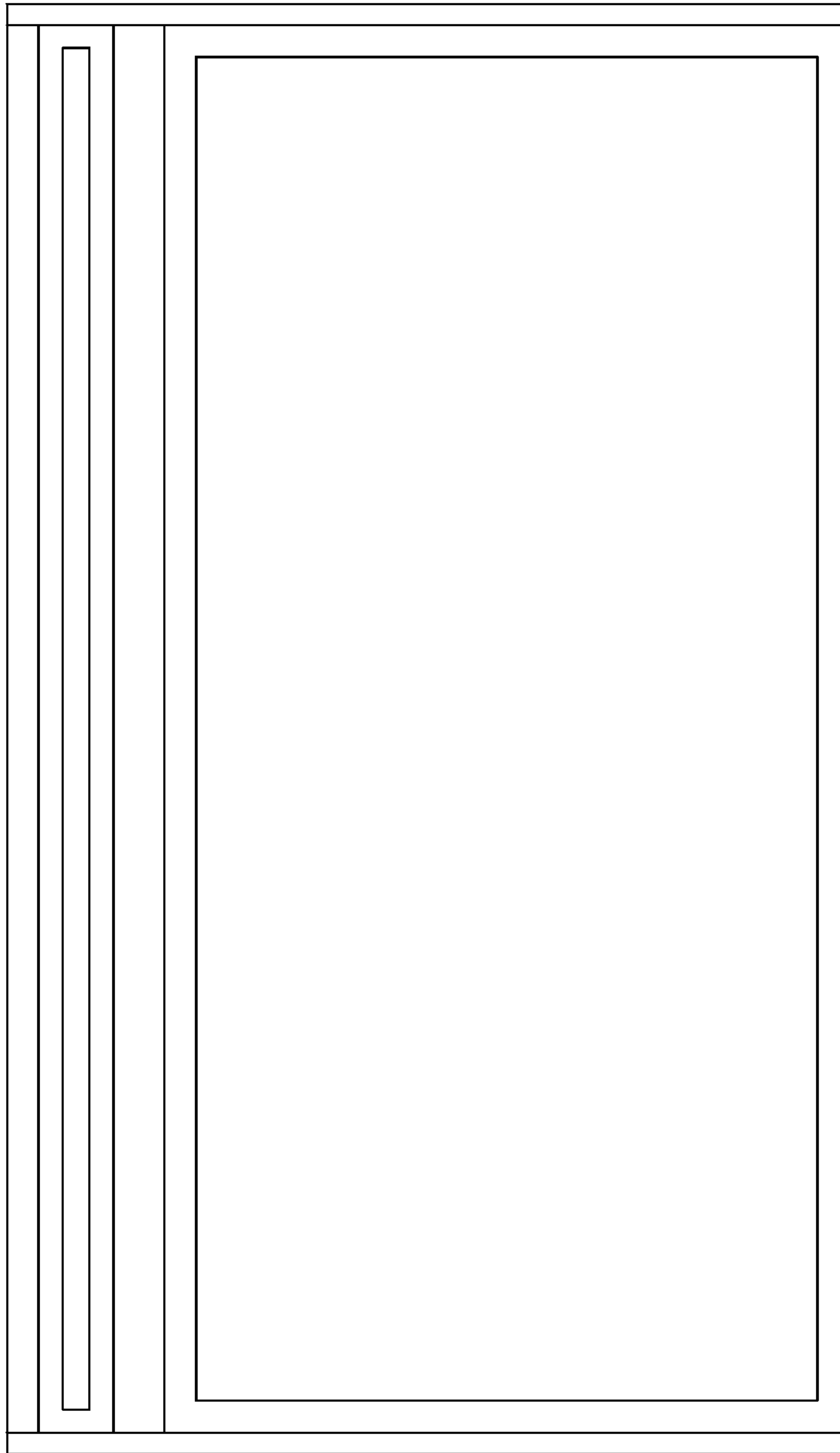


FIG. 99

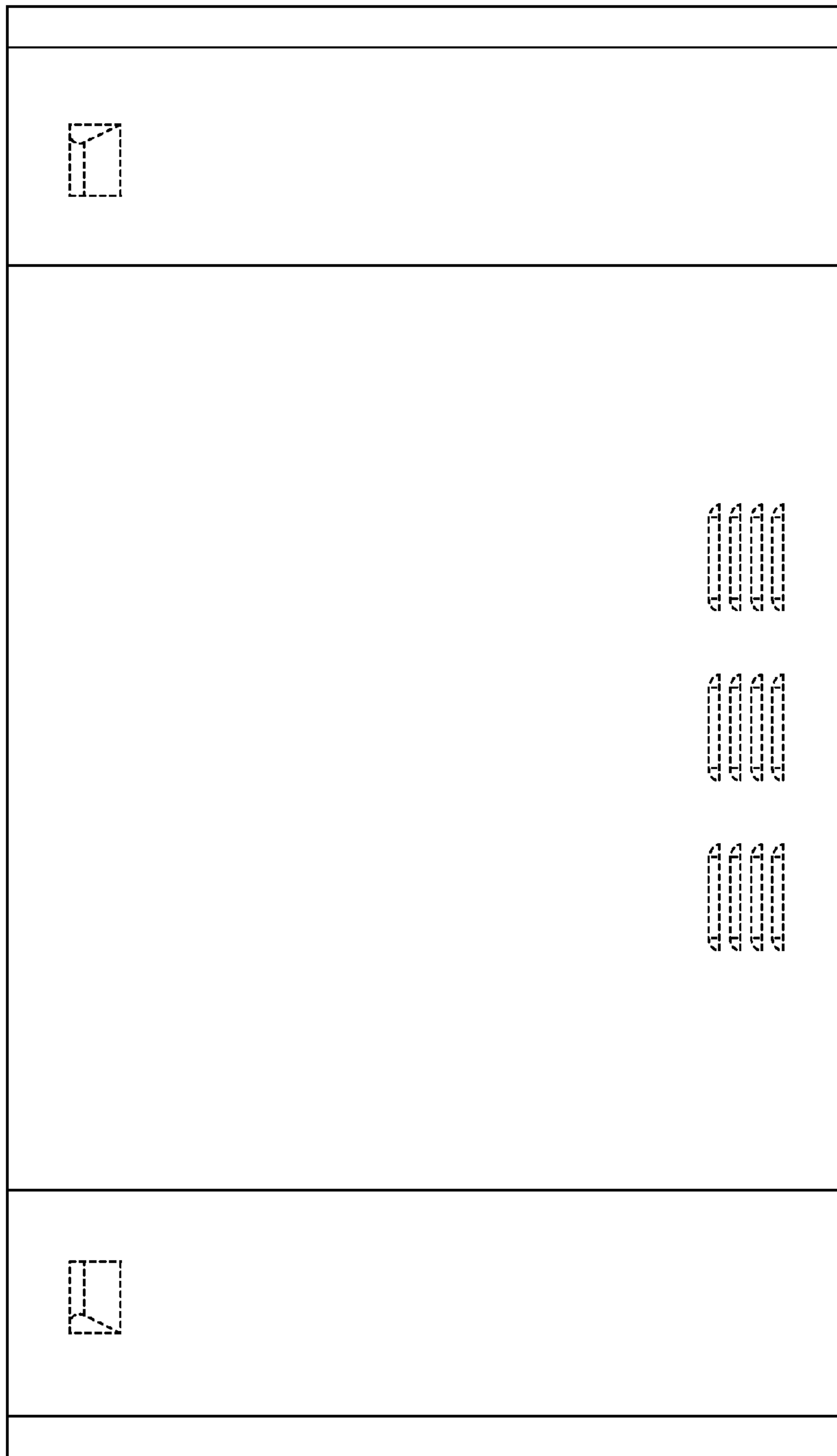


FIG. 100



FIG. 101

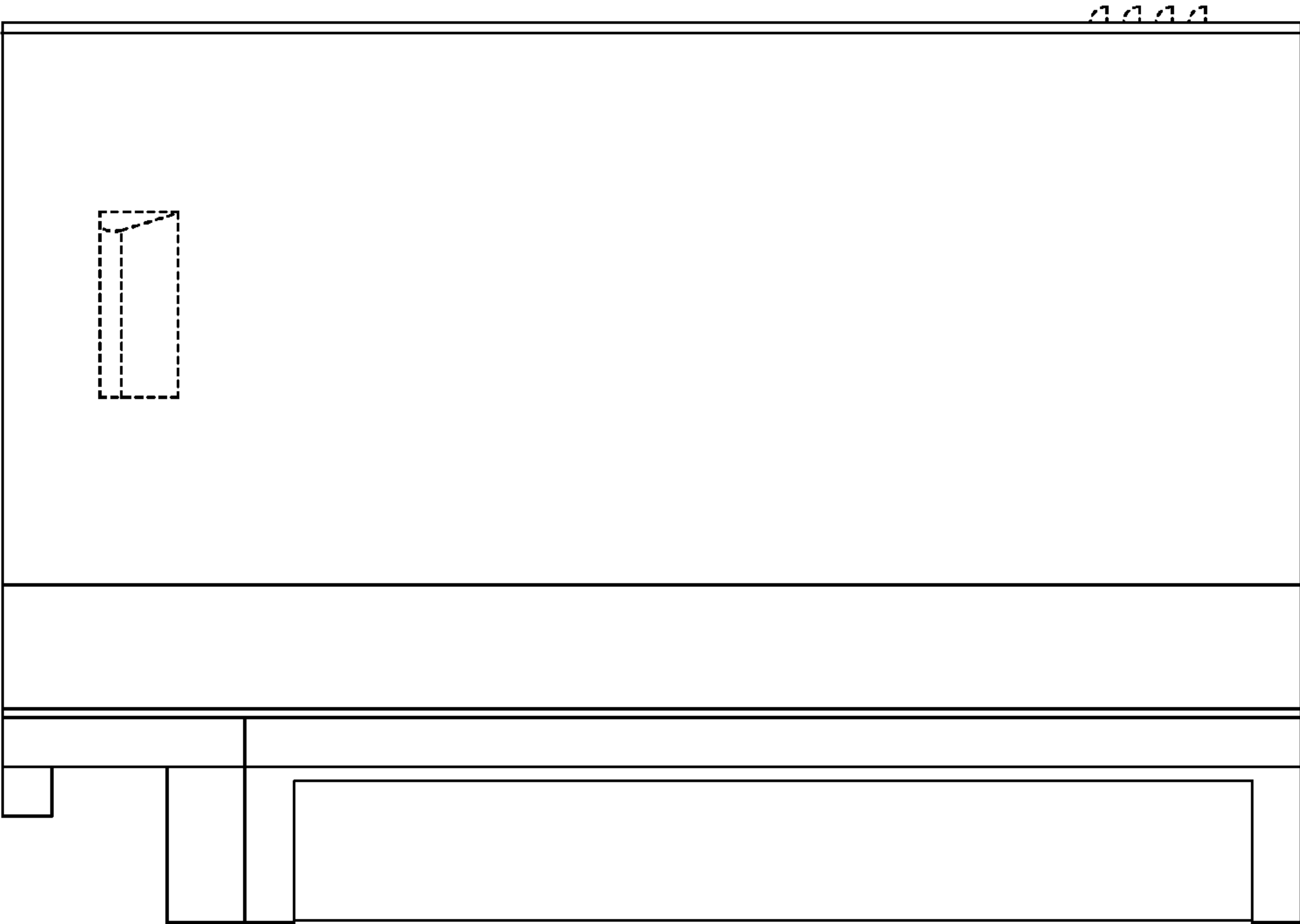


FIG. 102

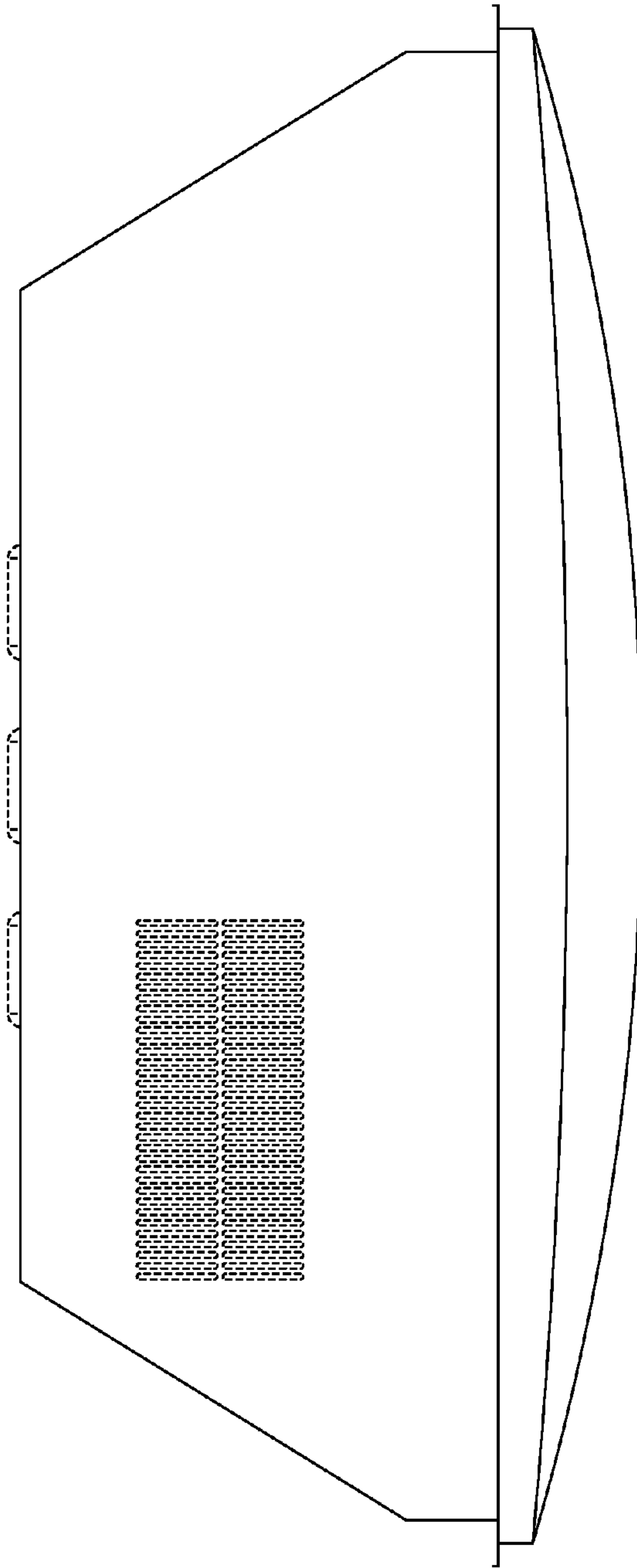


FIG. 103

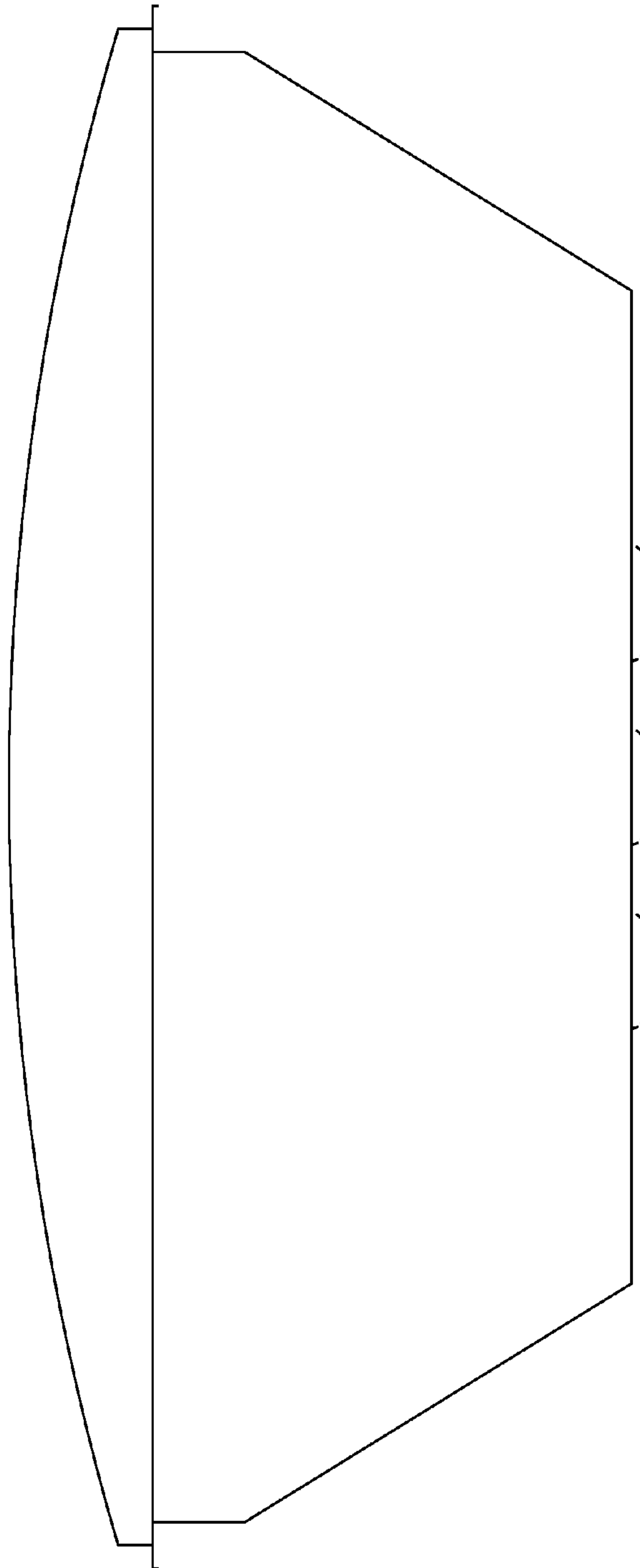


FIG. 104

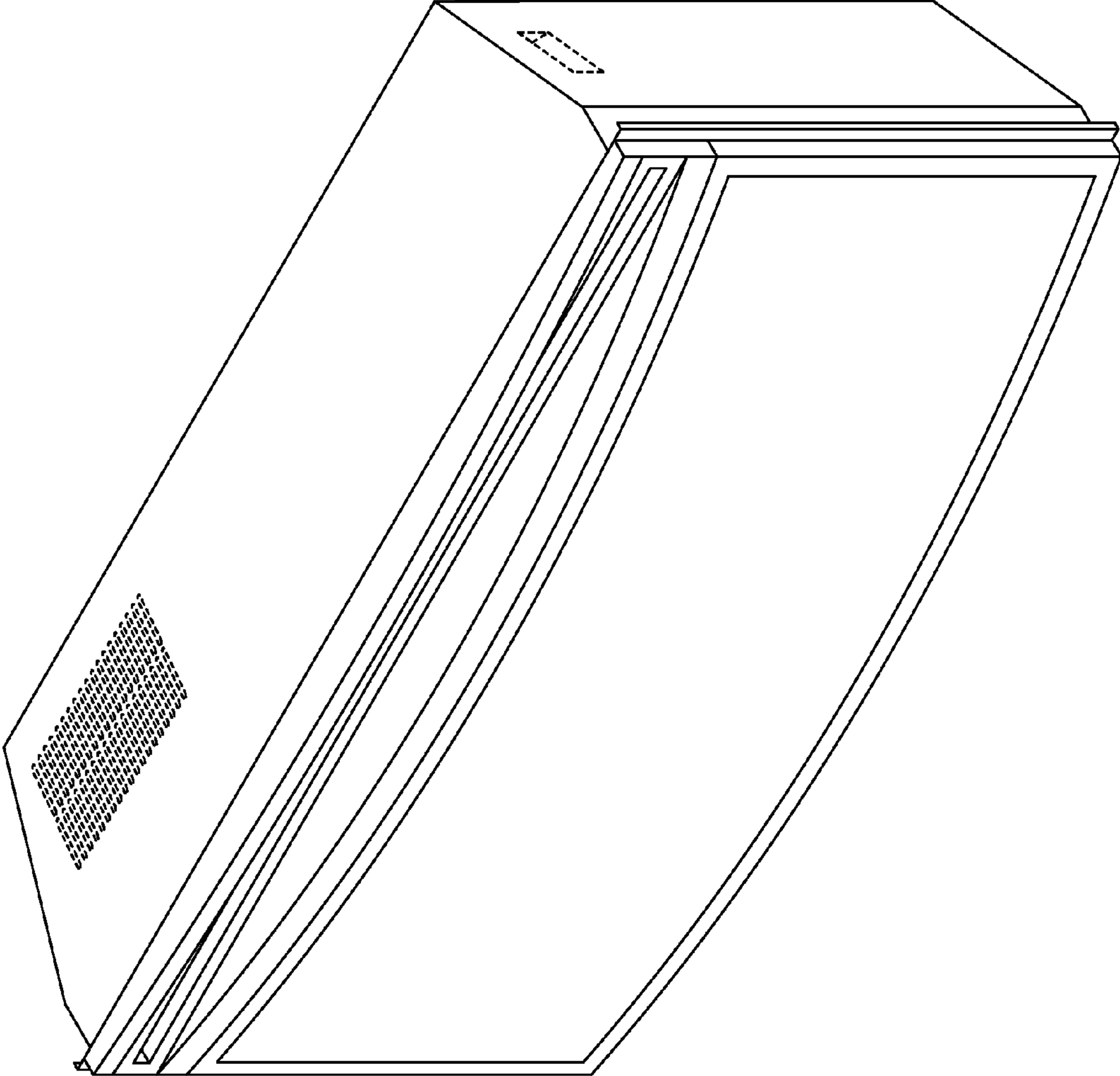


FIG.105



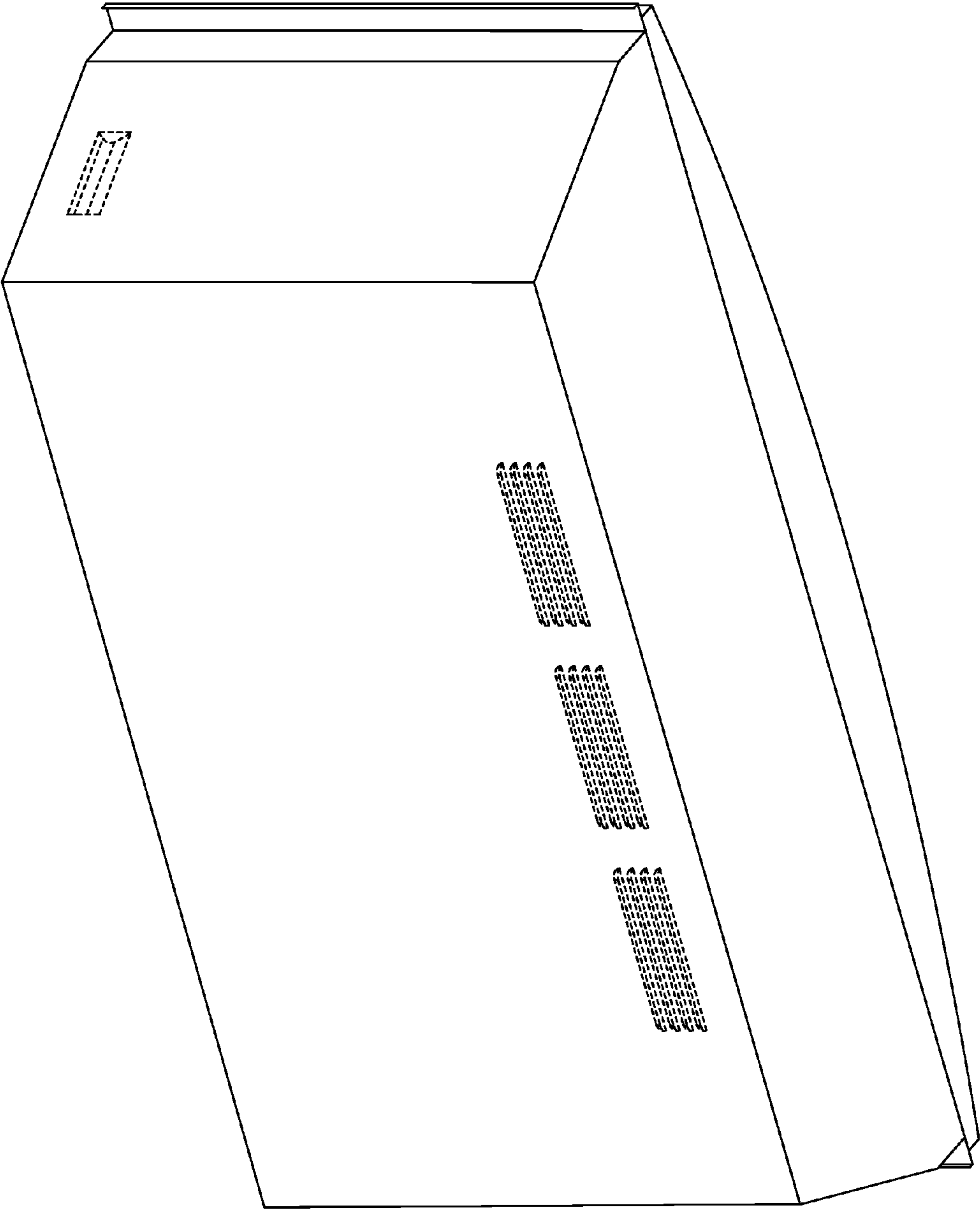


FIG. 106

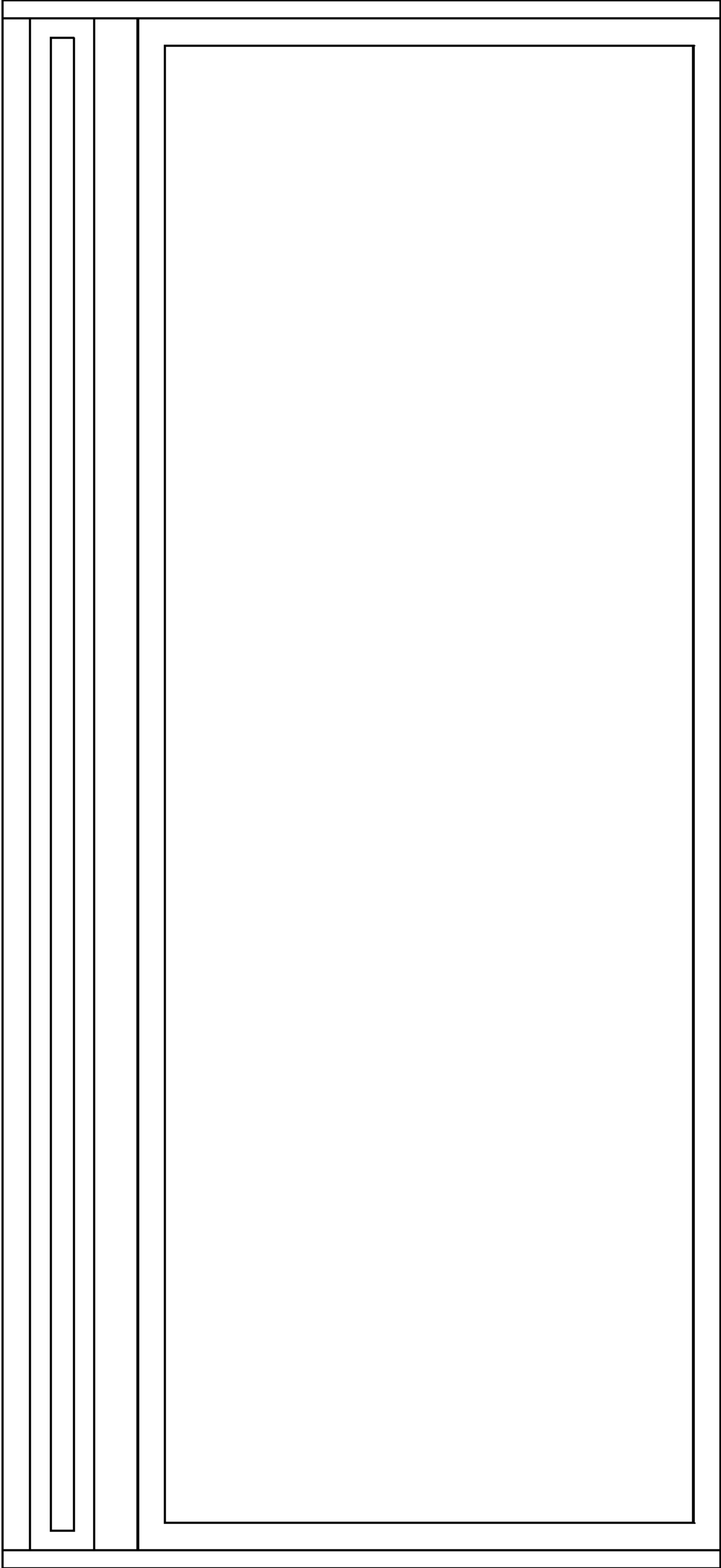


FIG. 107

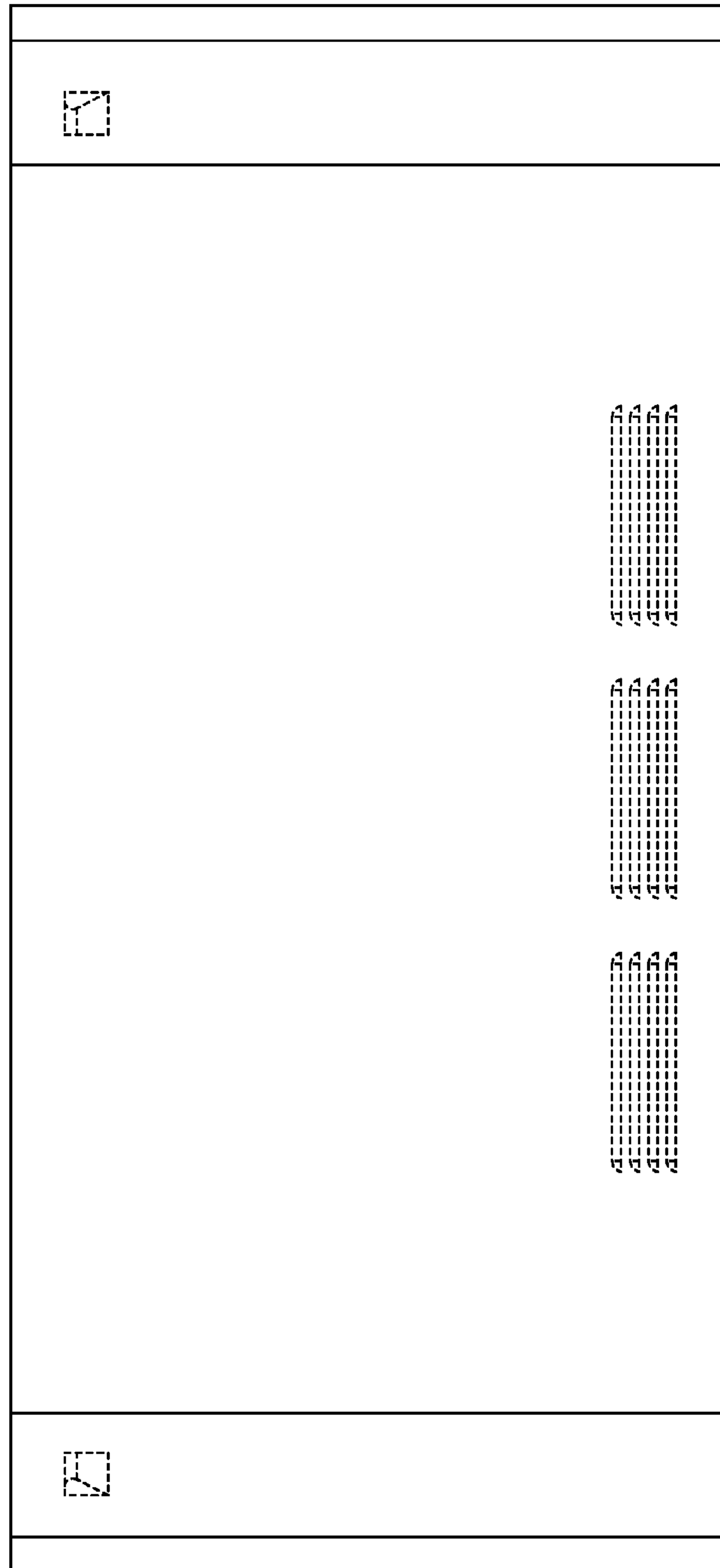


FIG. 108

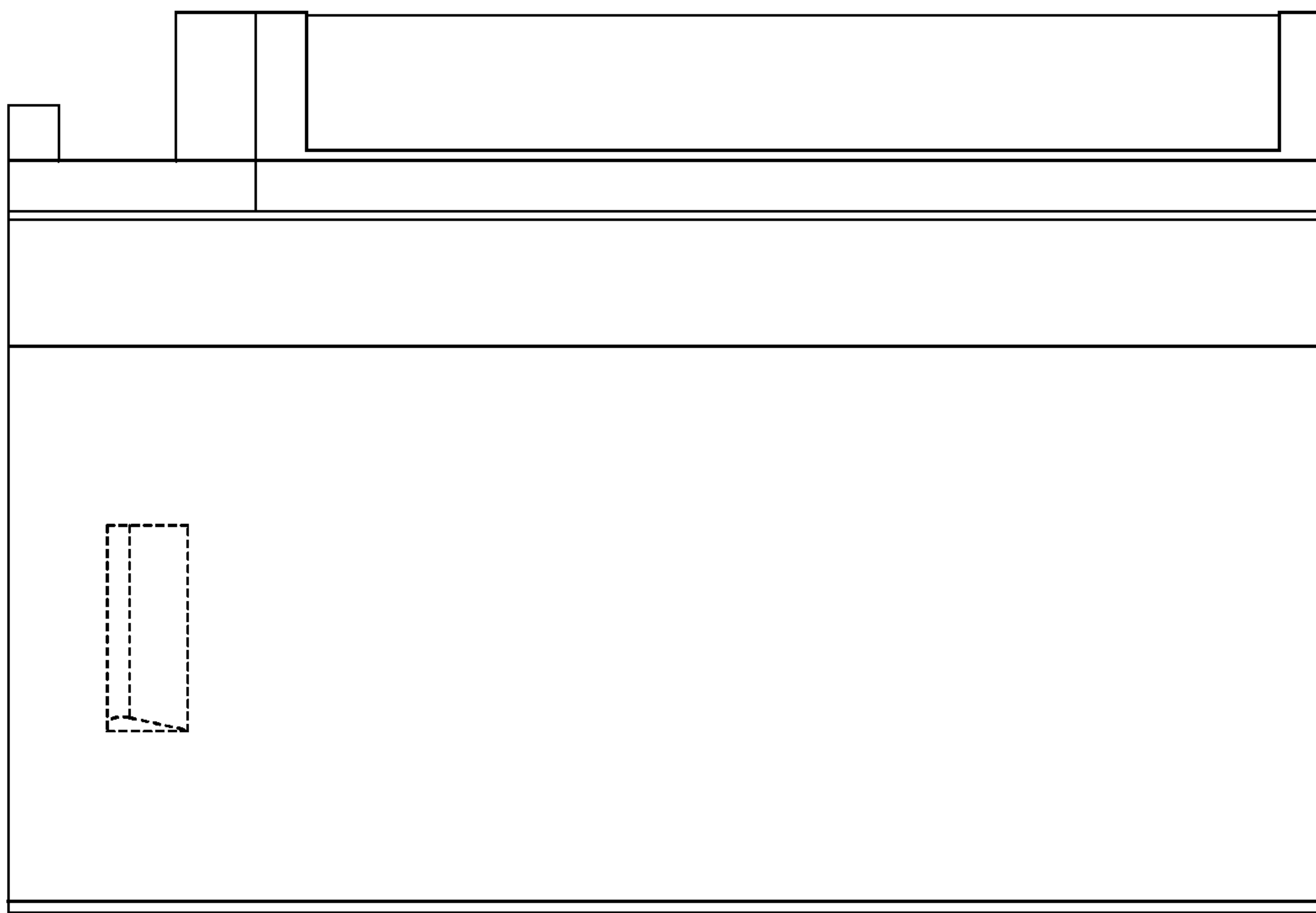


FIG. 109

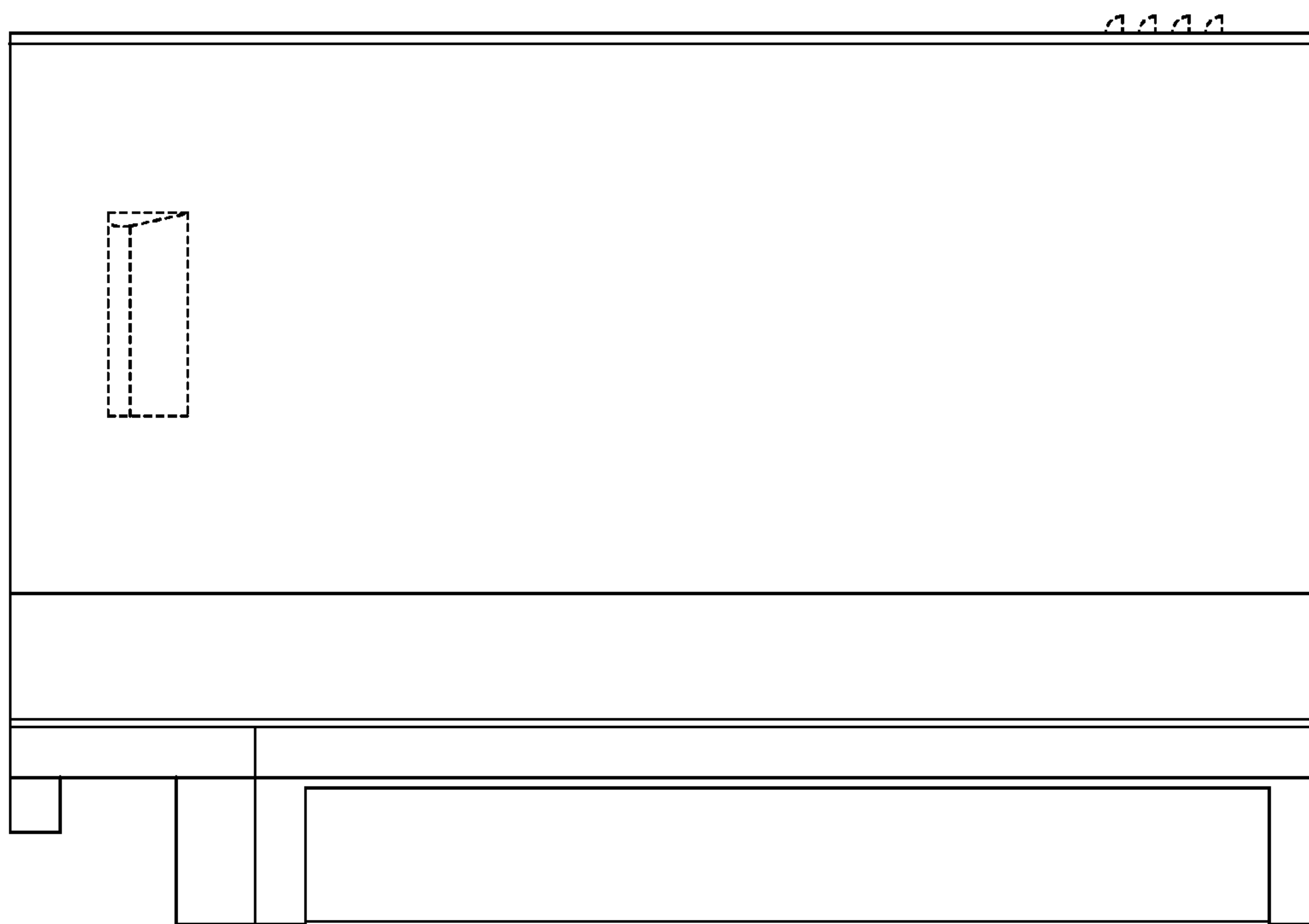


FIG. 110

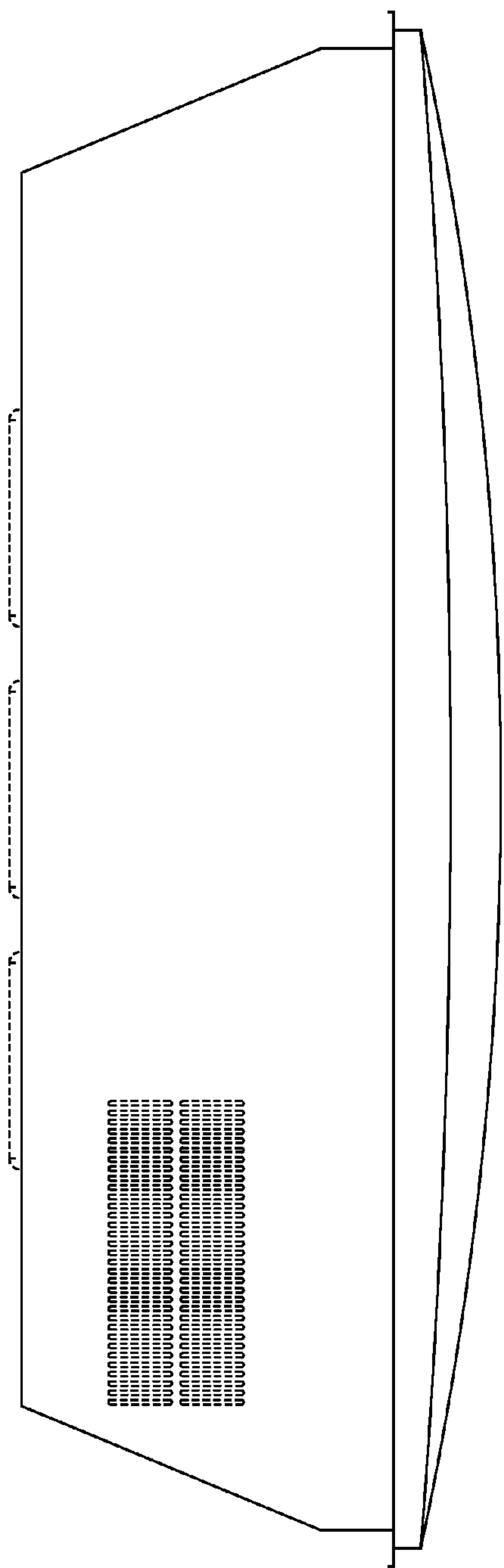


FIG. 111

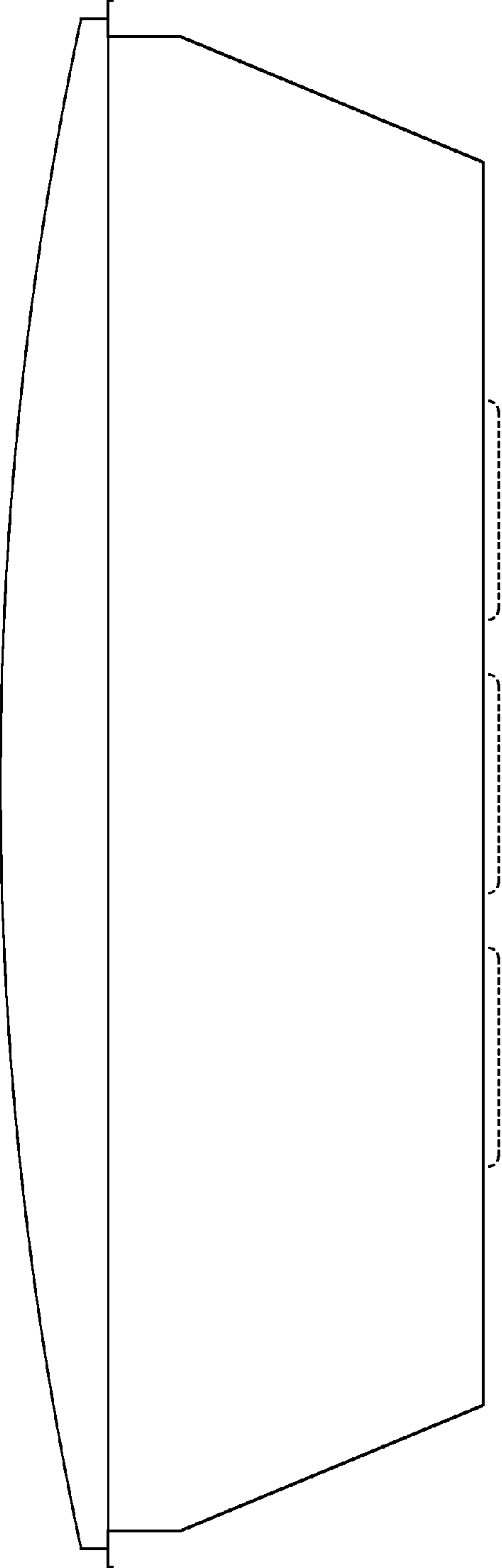


FIG. 112

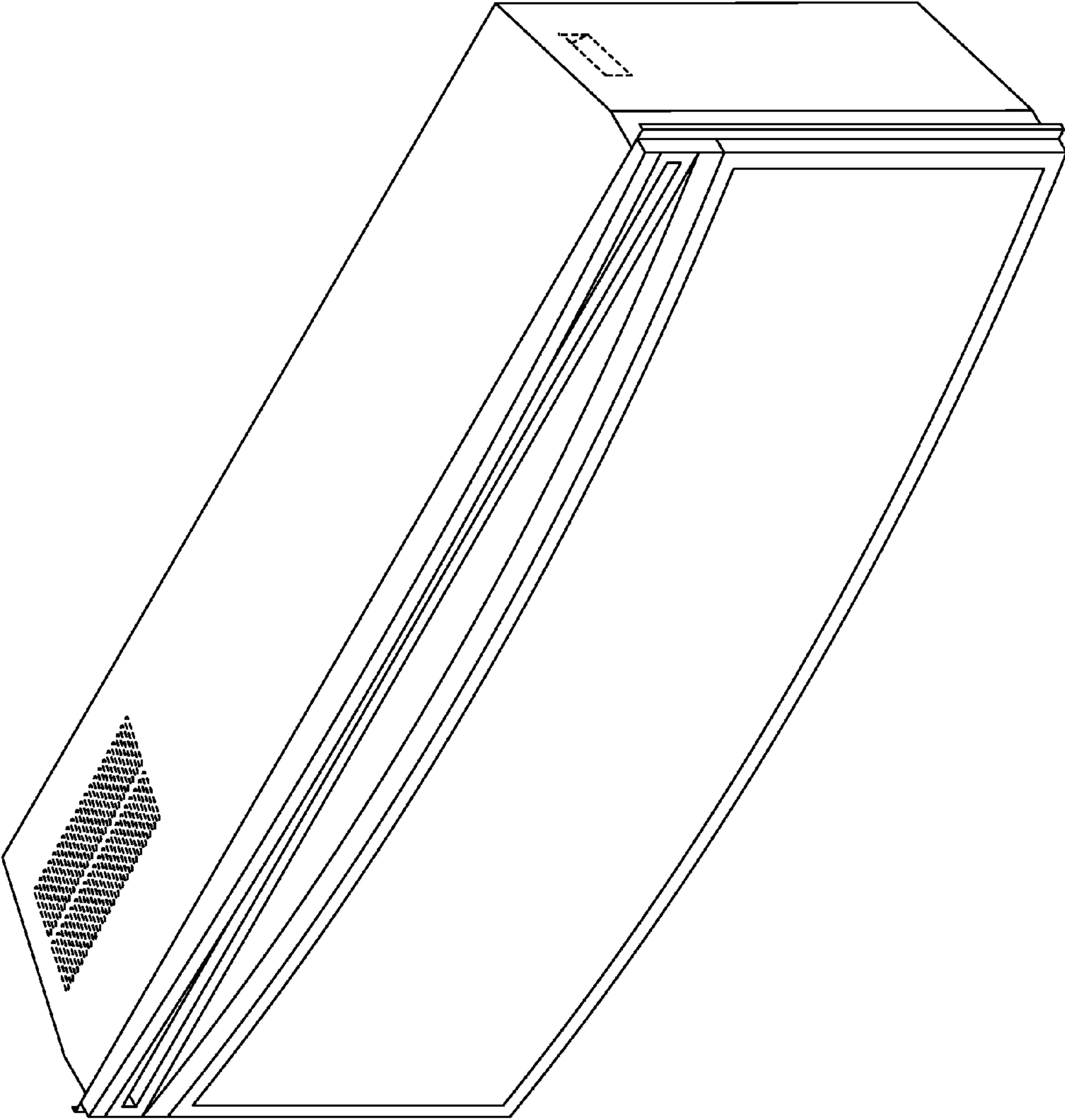


FIG. 113



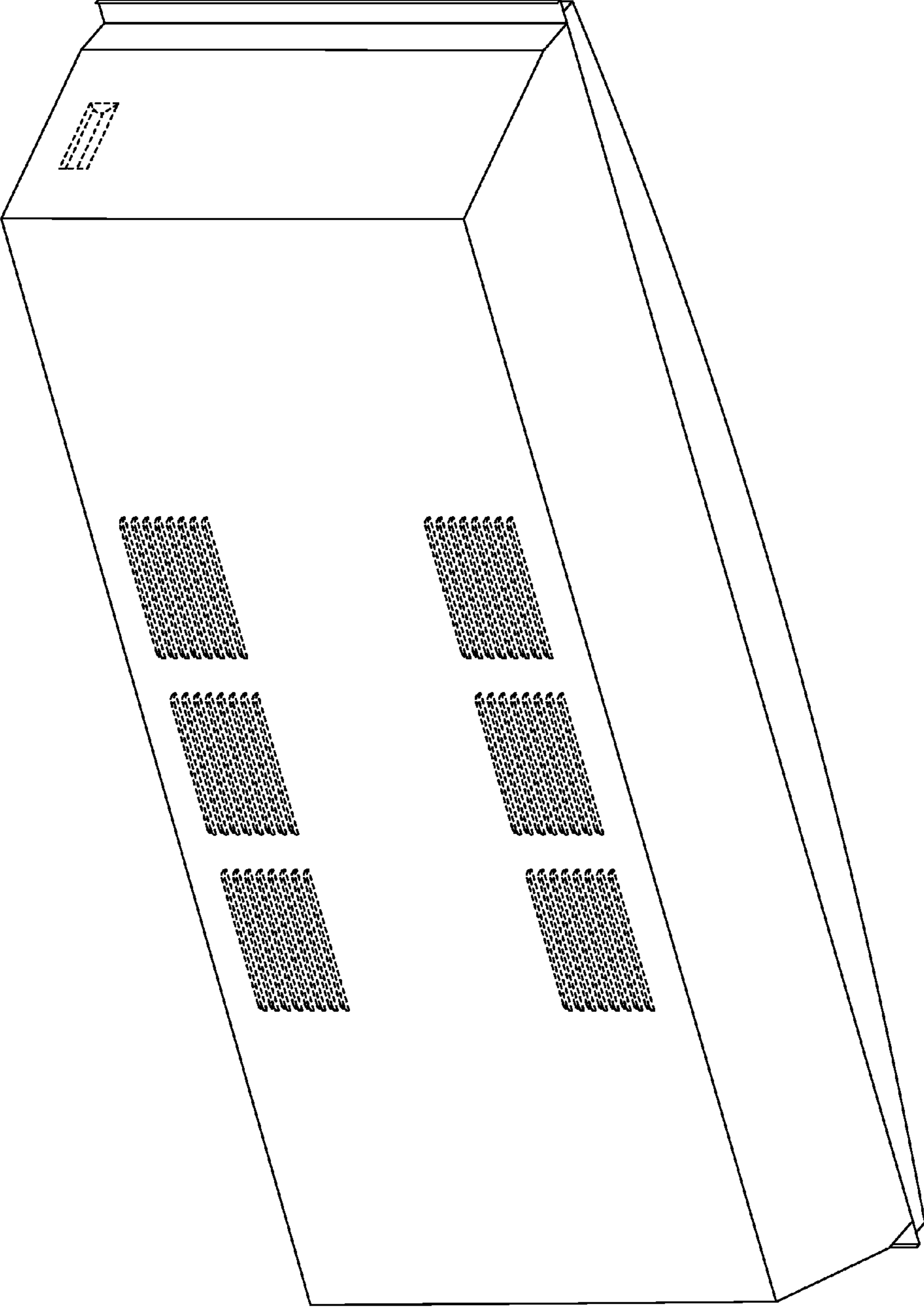


FIG. 114

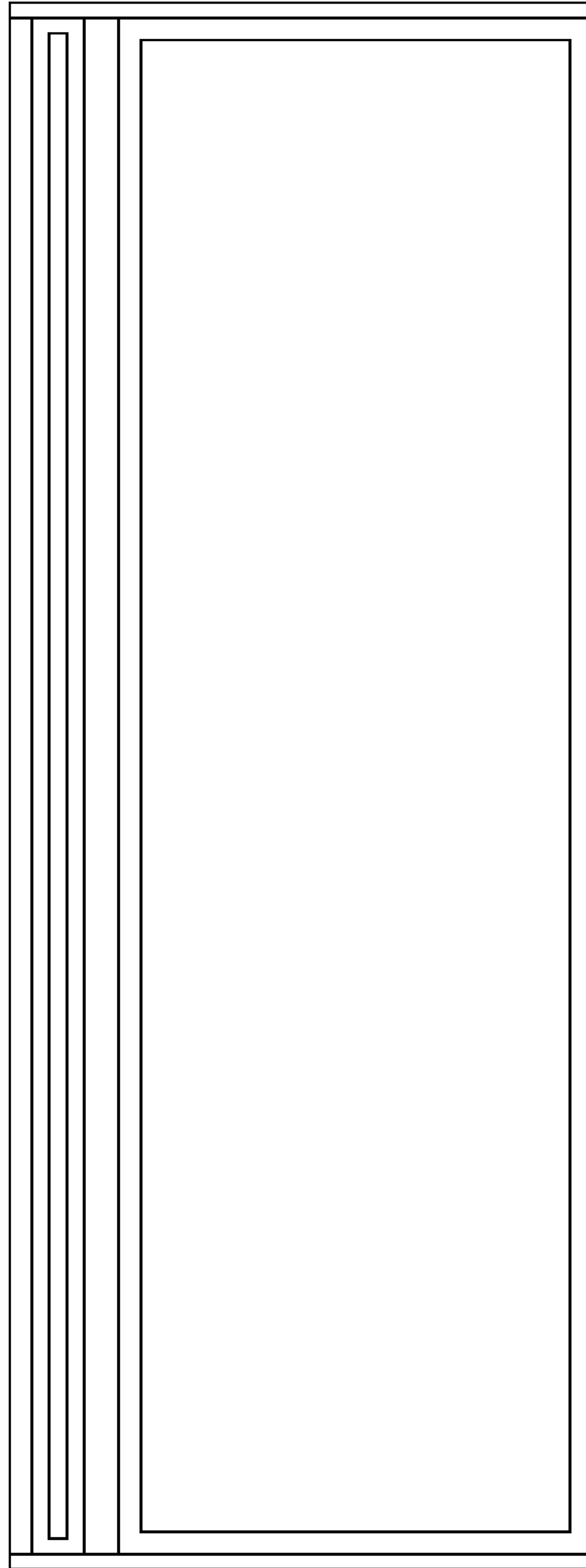


FIG. 115

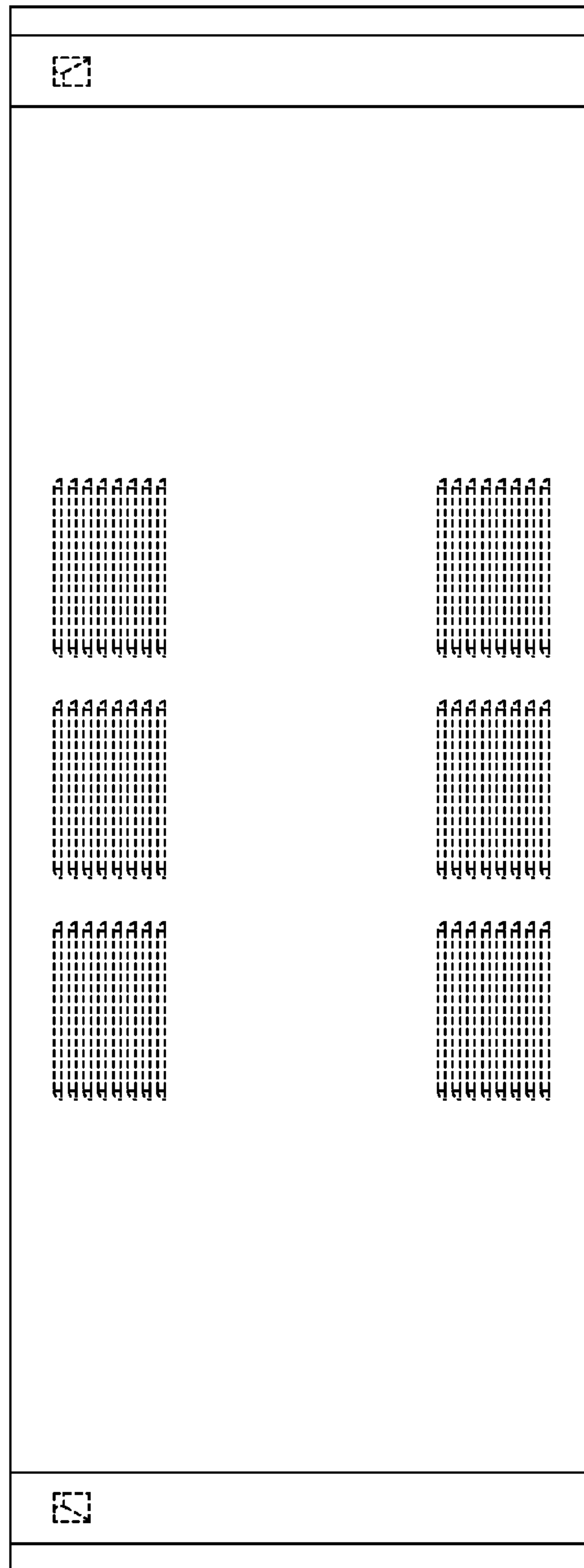


FIG. 116

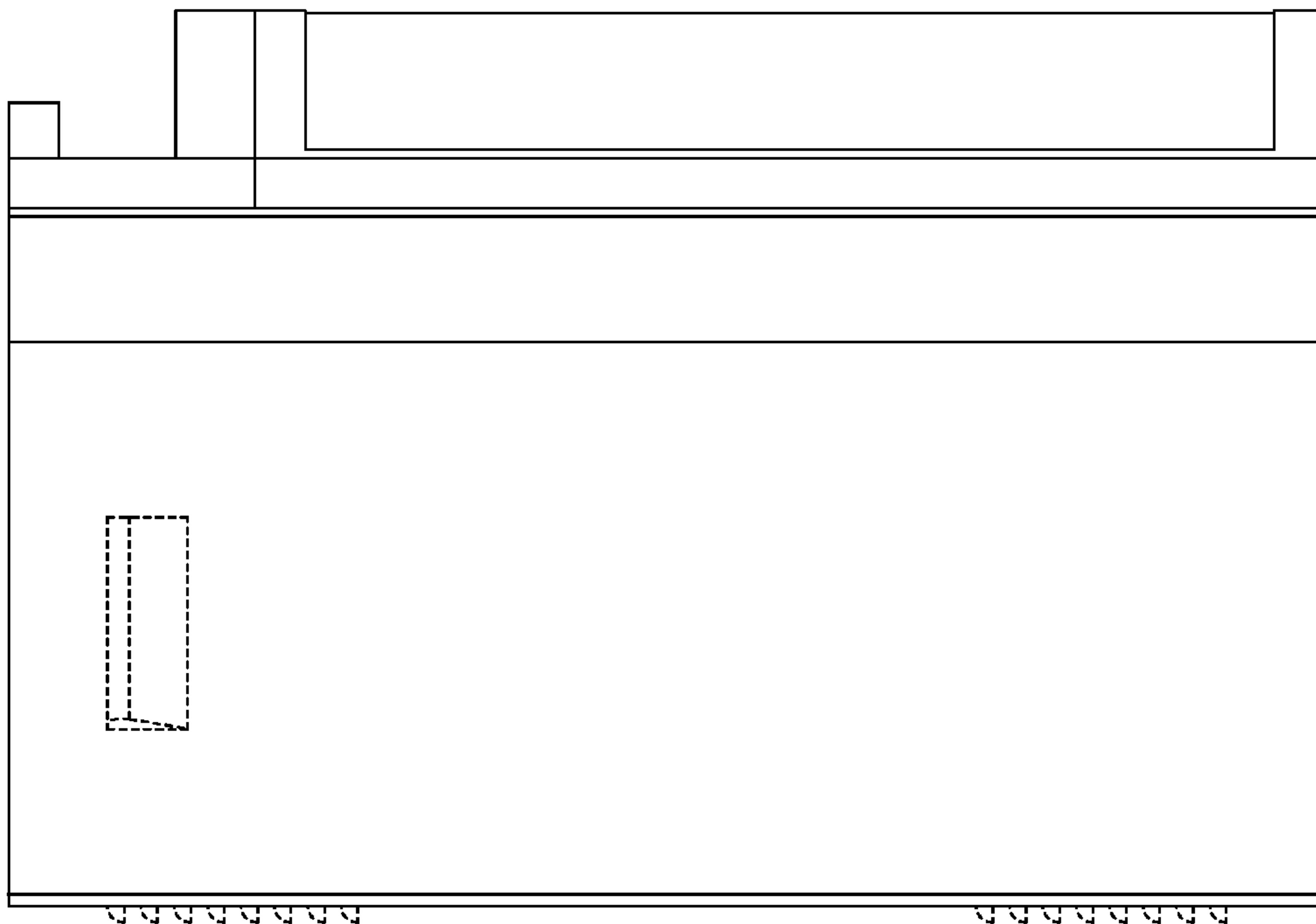


FIG. 117

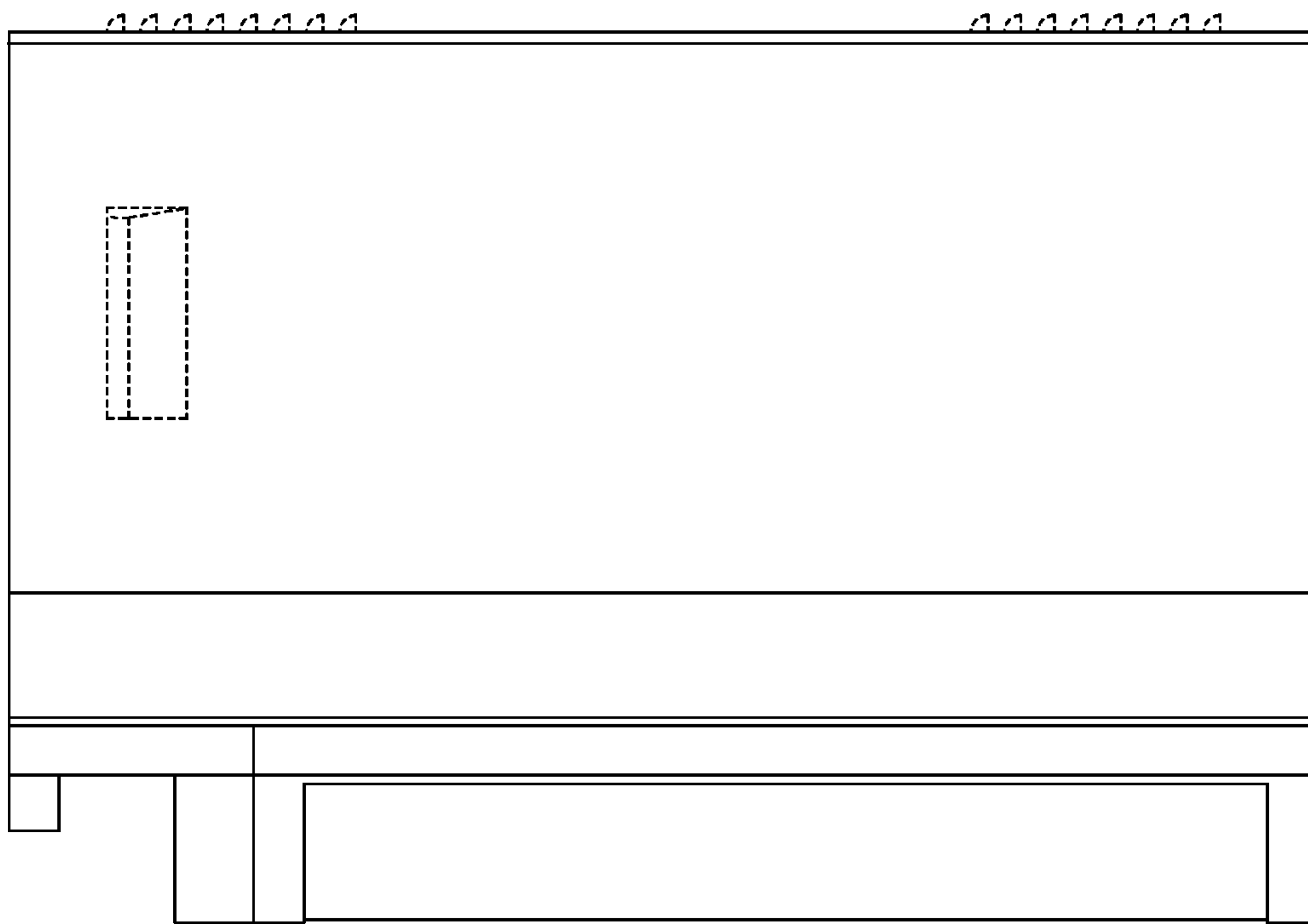


FIG. 118

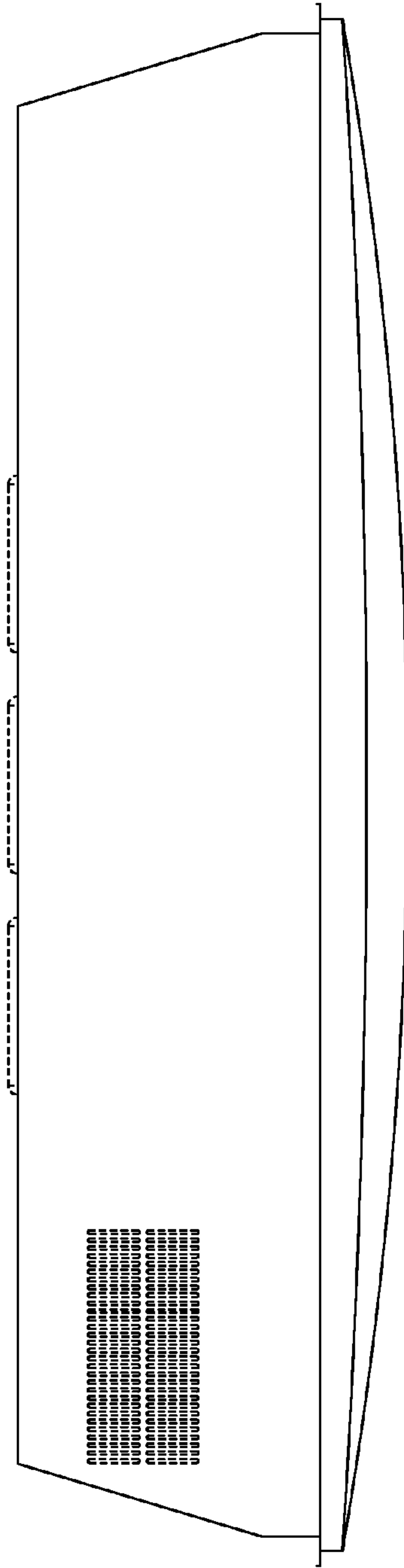


FIG. 119

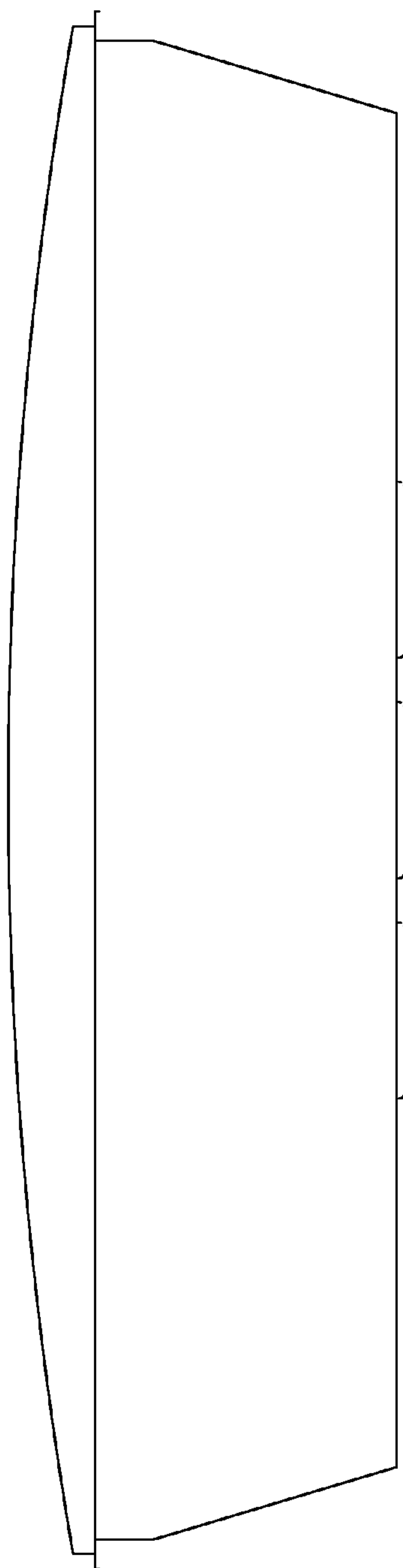


FIG. 120

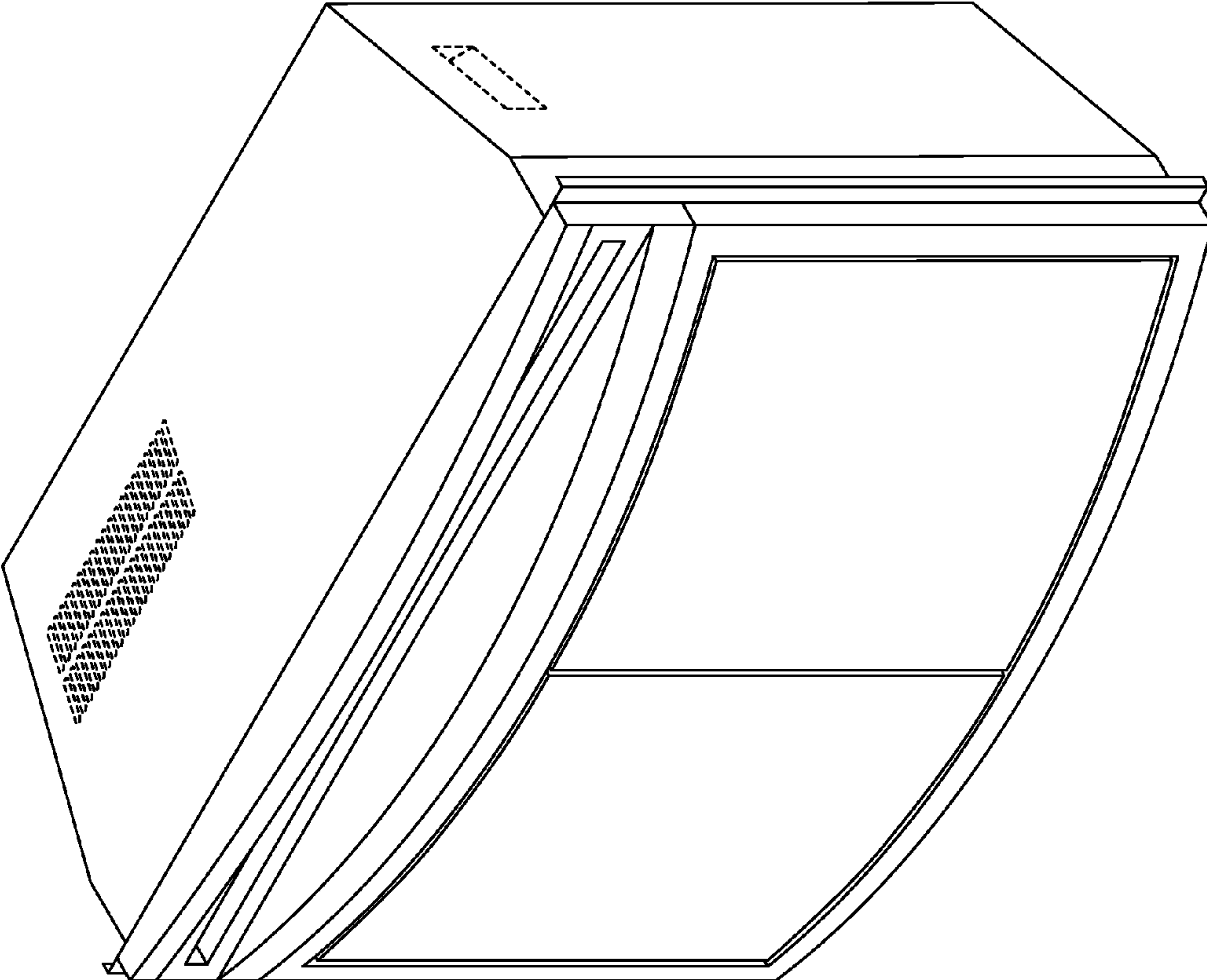


FIG. 121



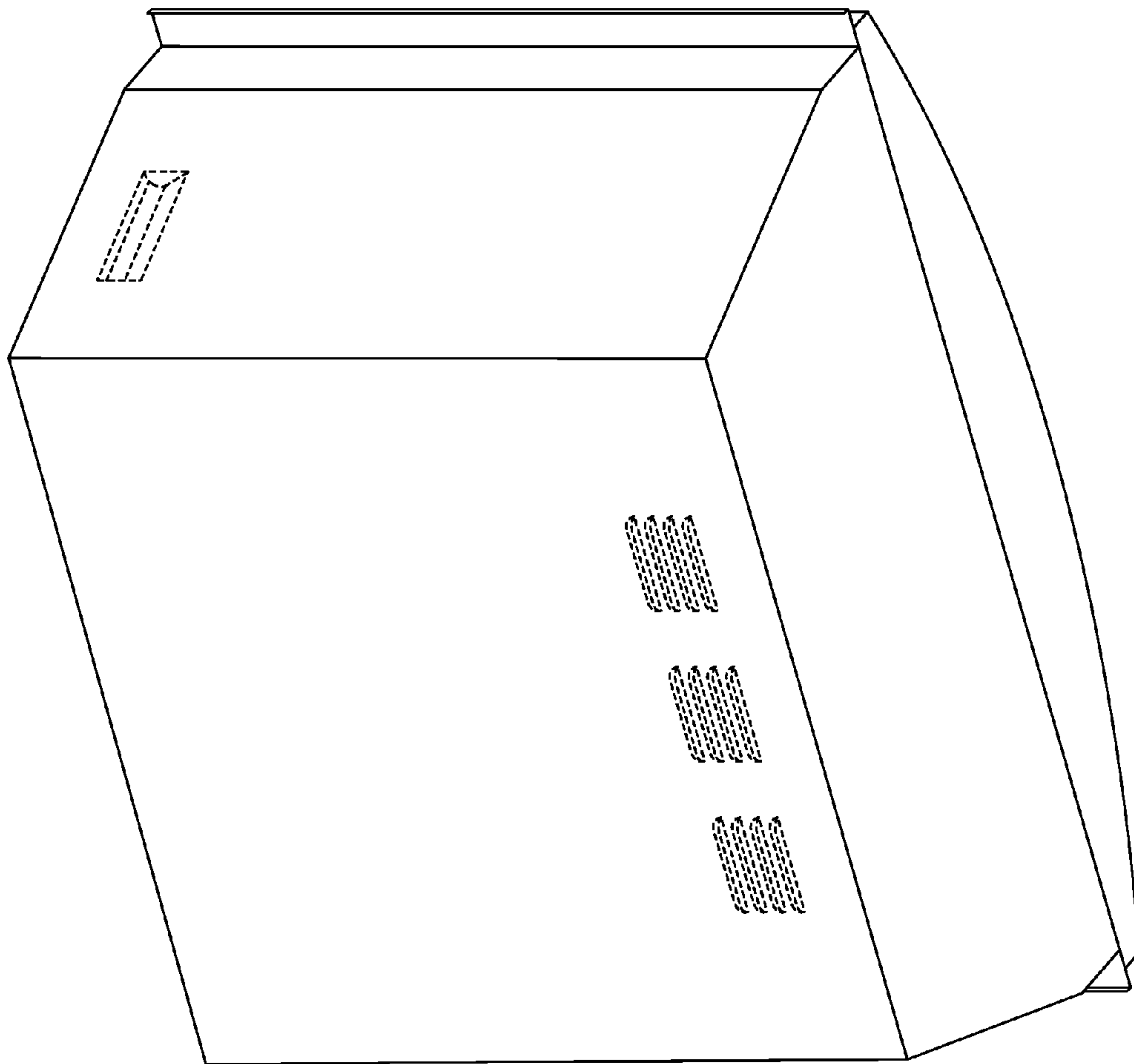


FIG. 122

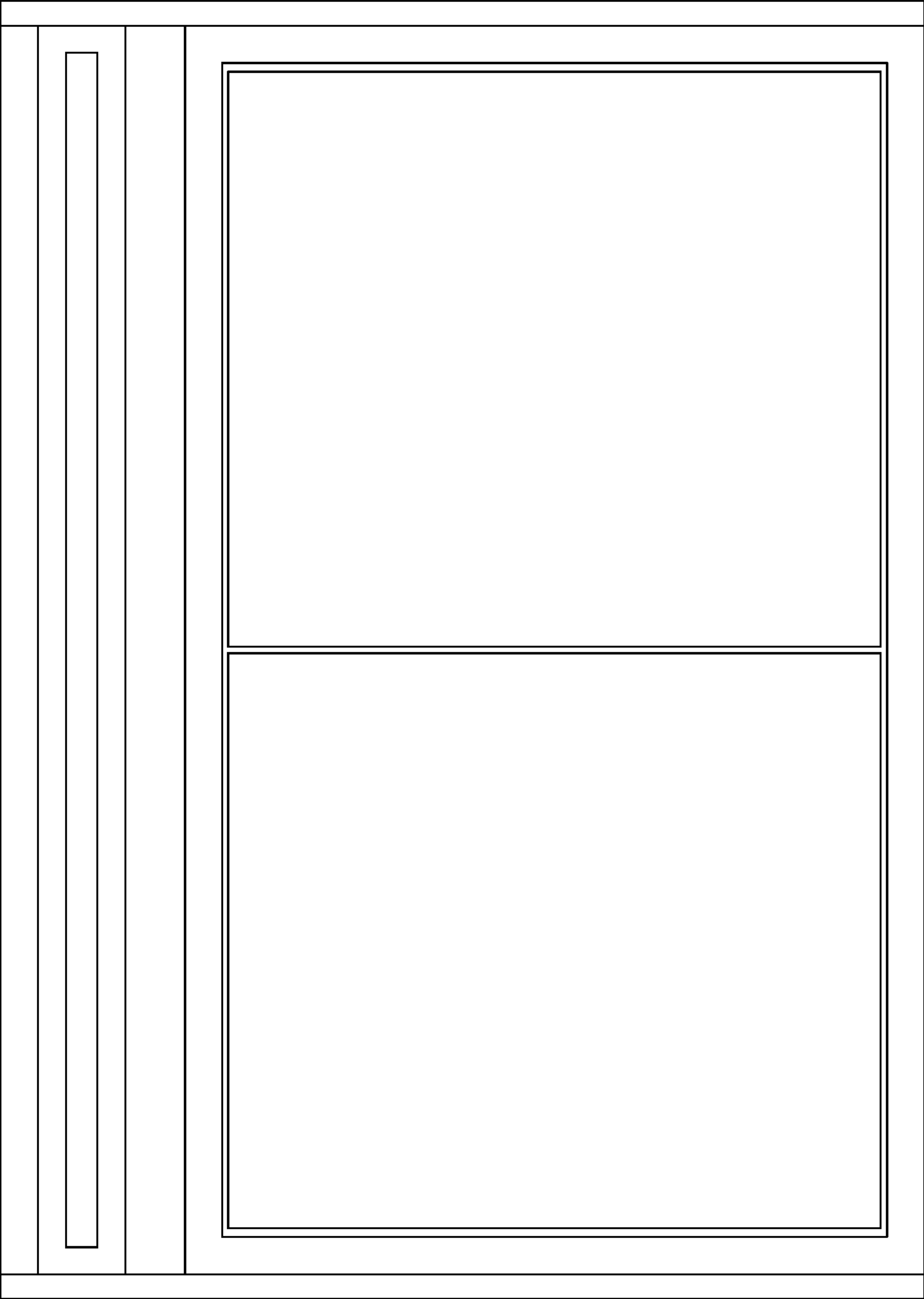


FIG. 123

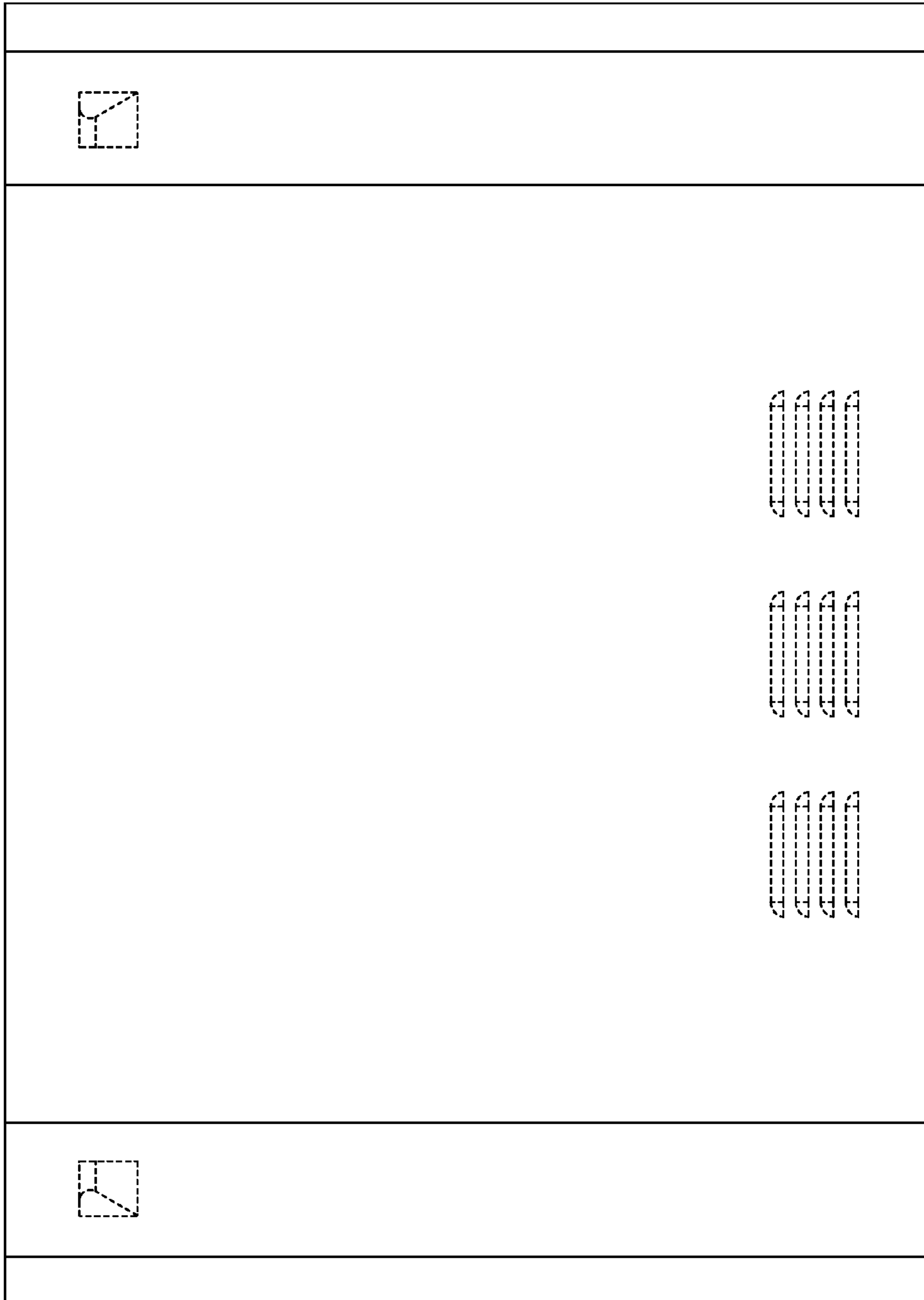


FIG. 124

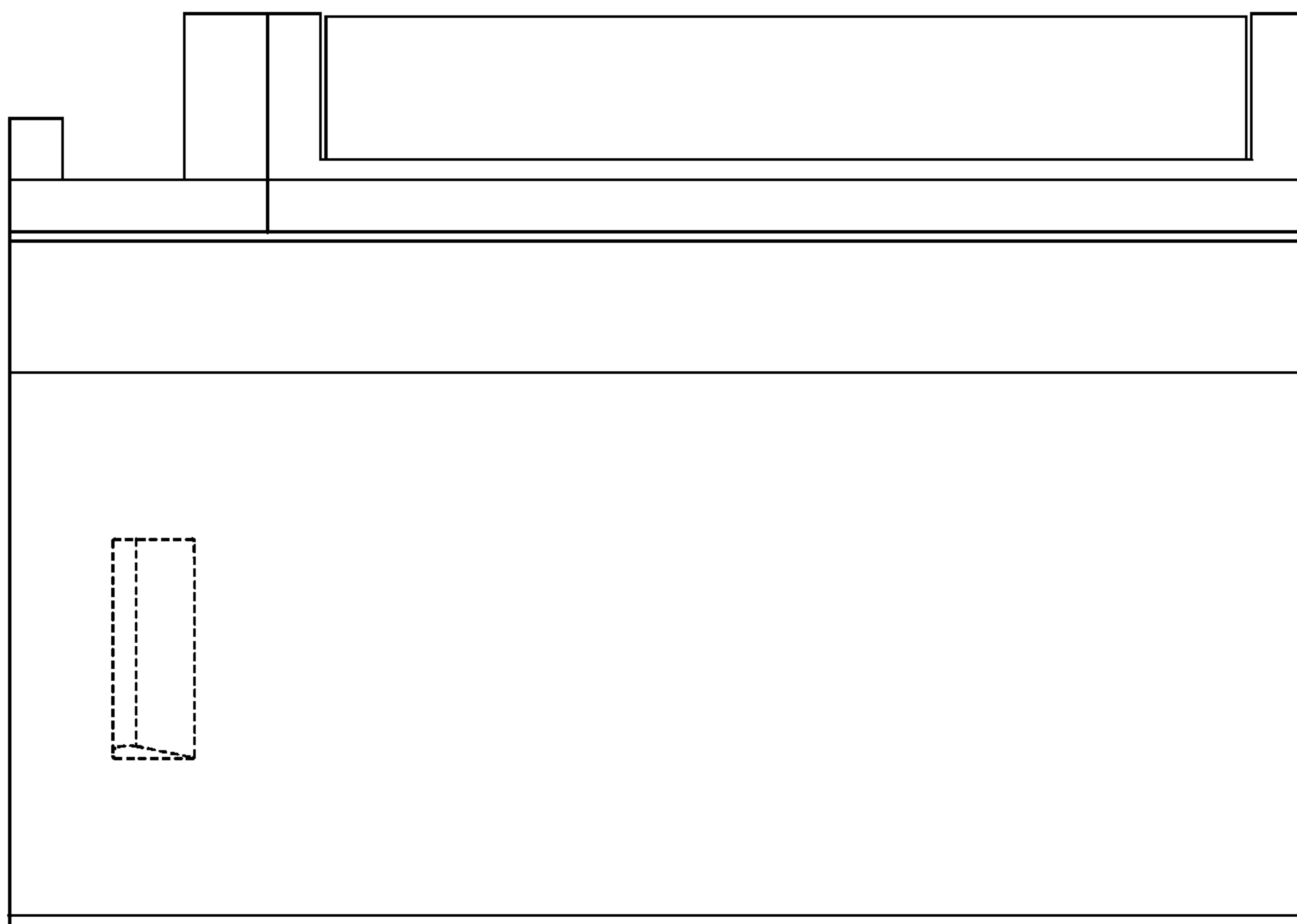


FIG. 125

2000

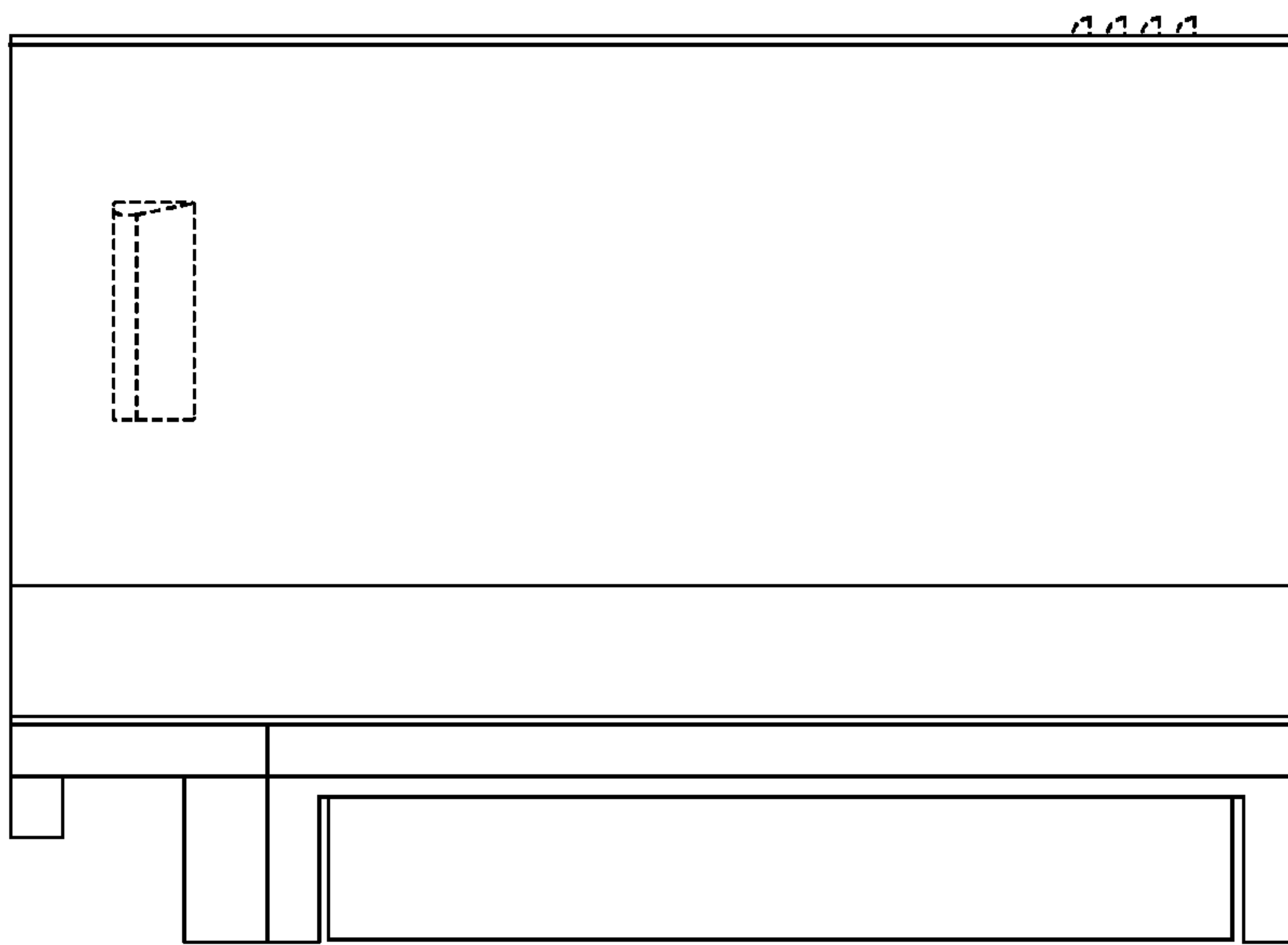


FIG. 126

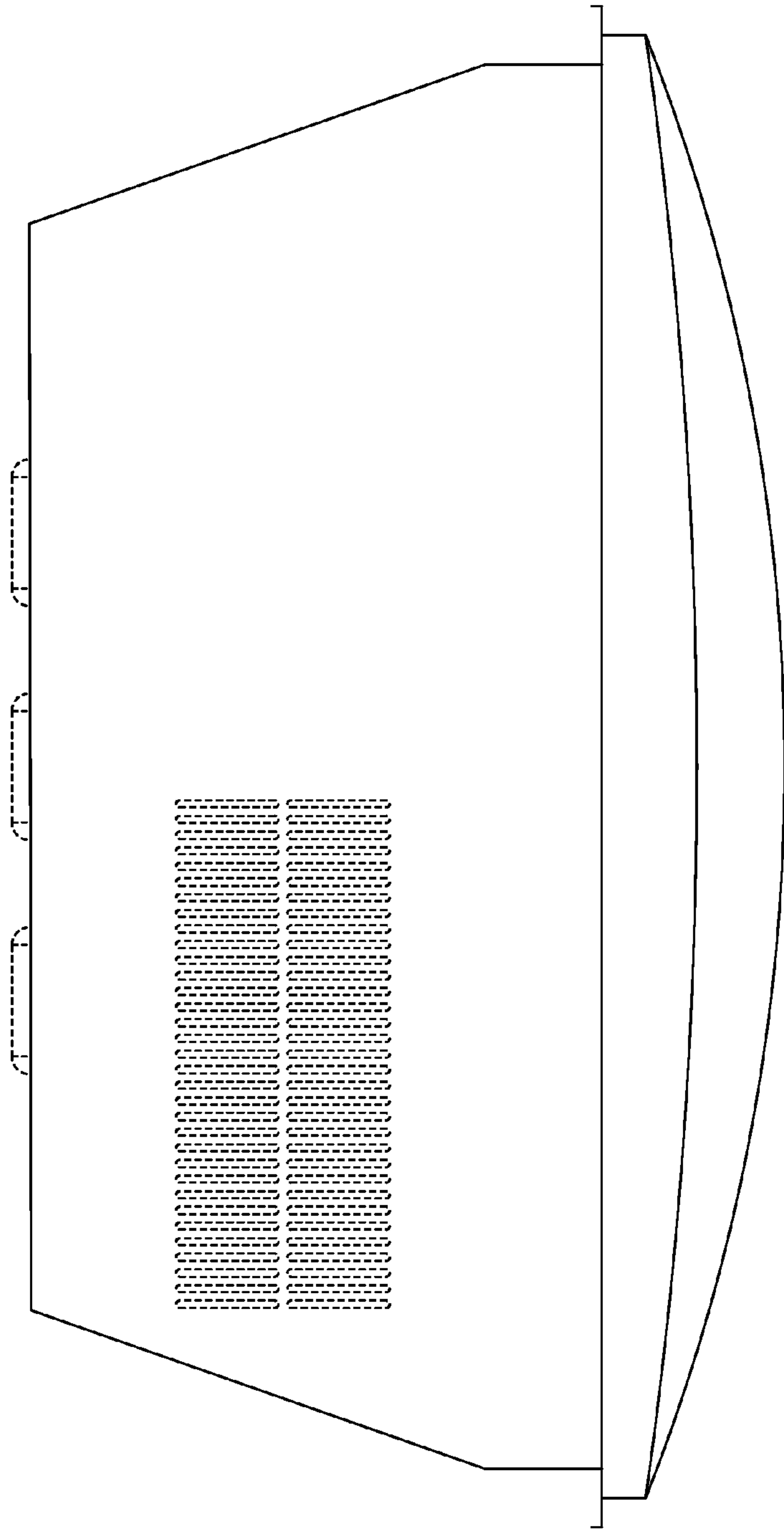


FIG. 127

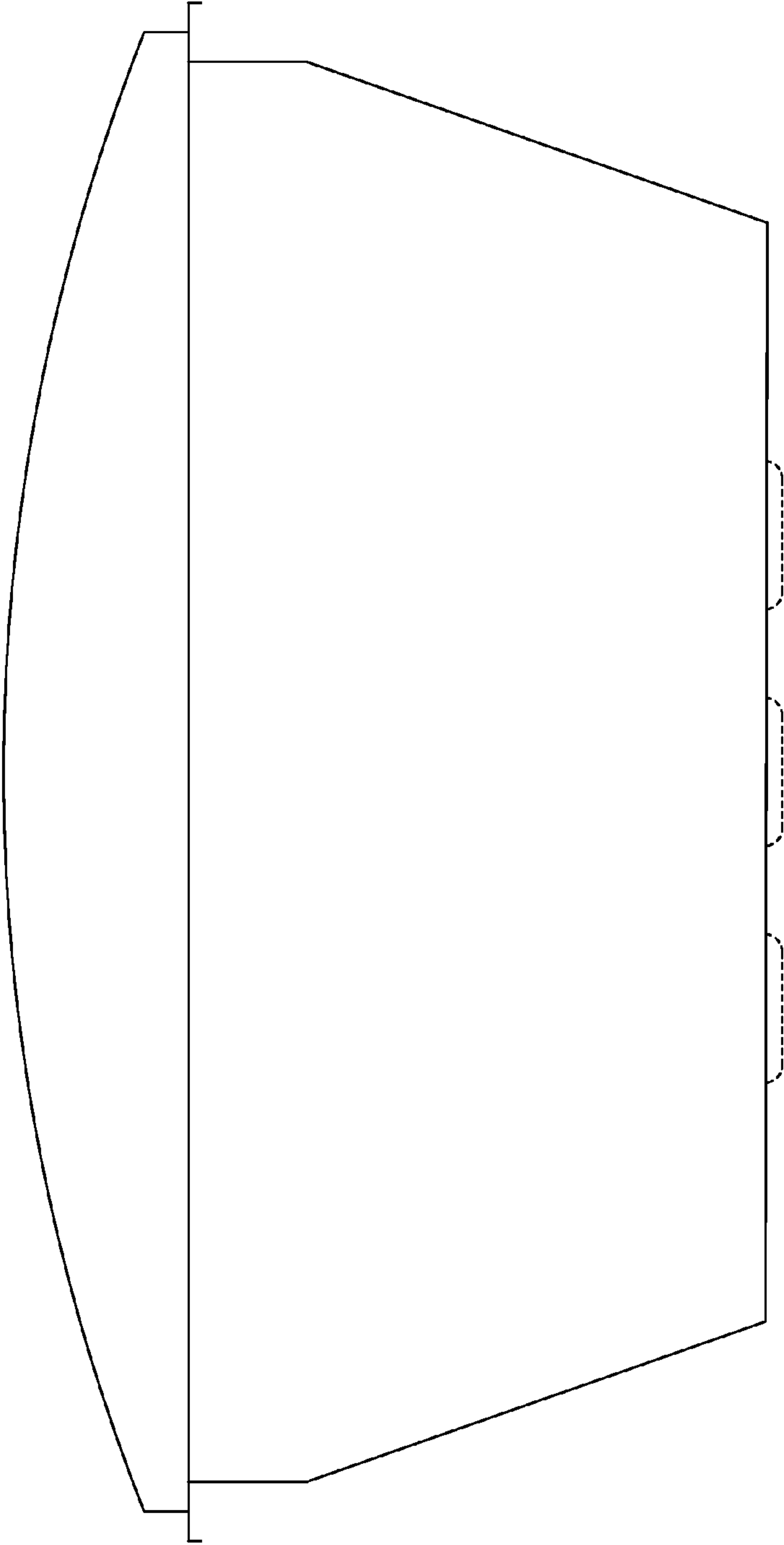


FIG. 128

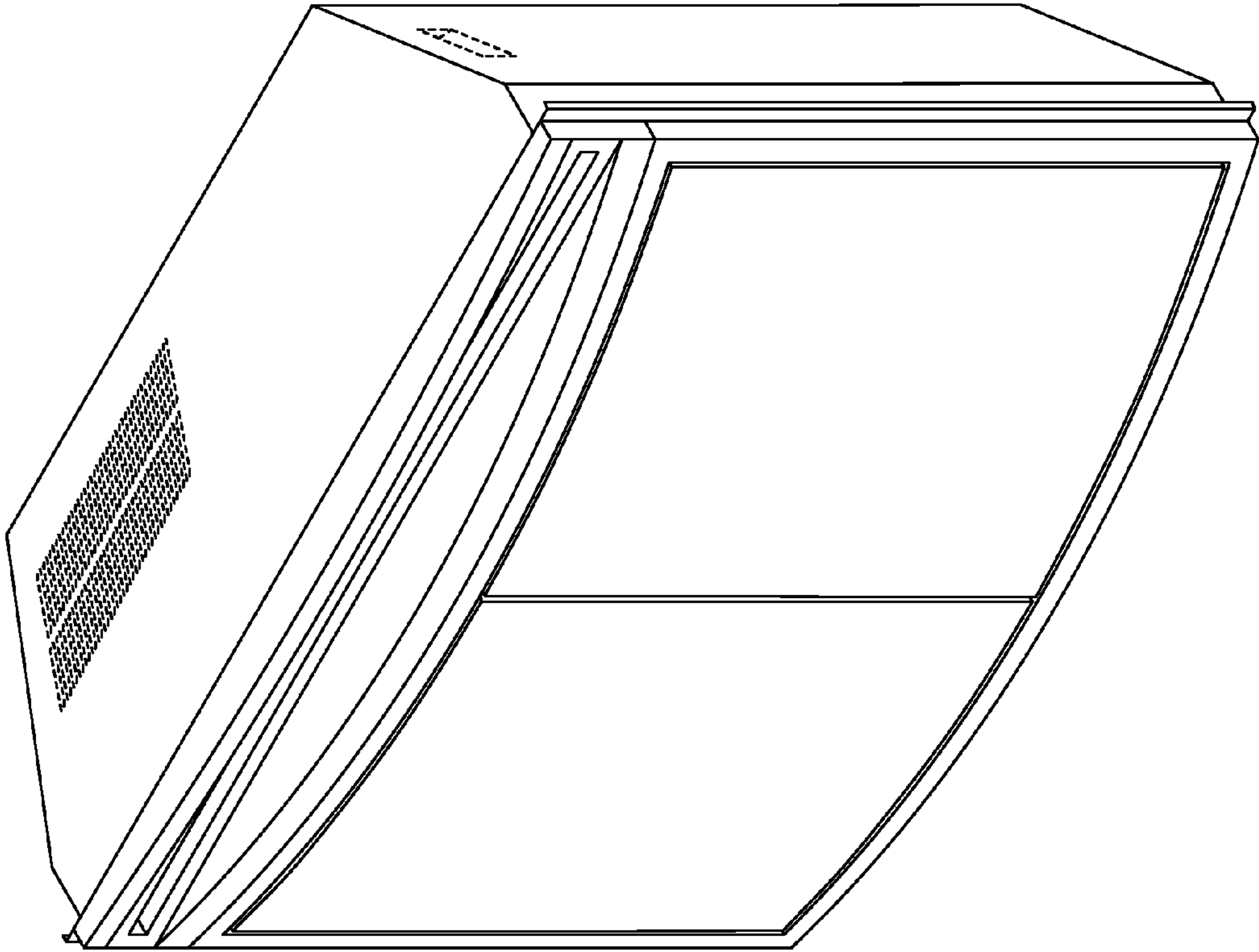


FIG. 129



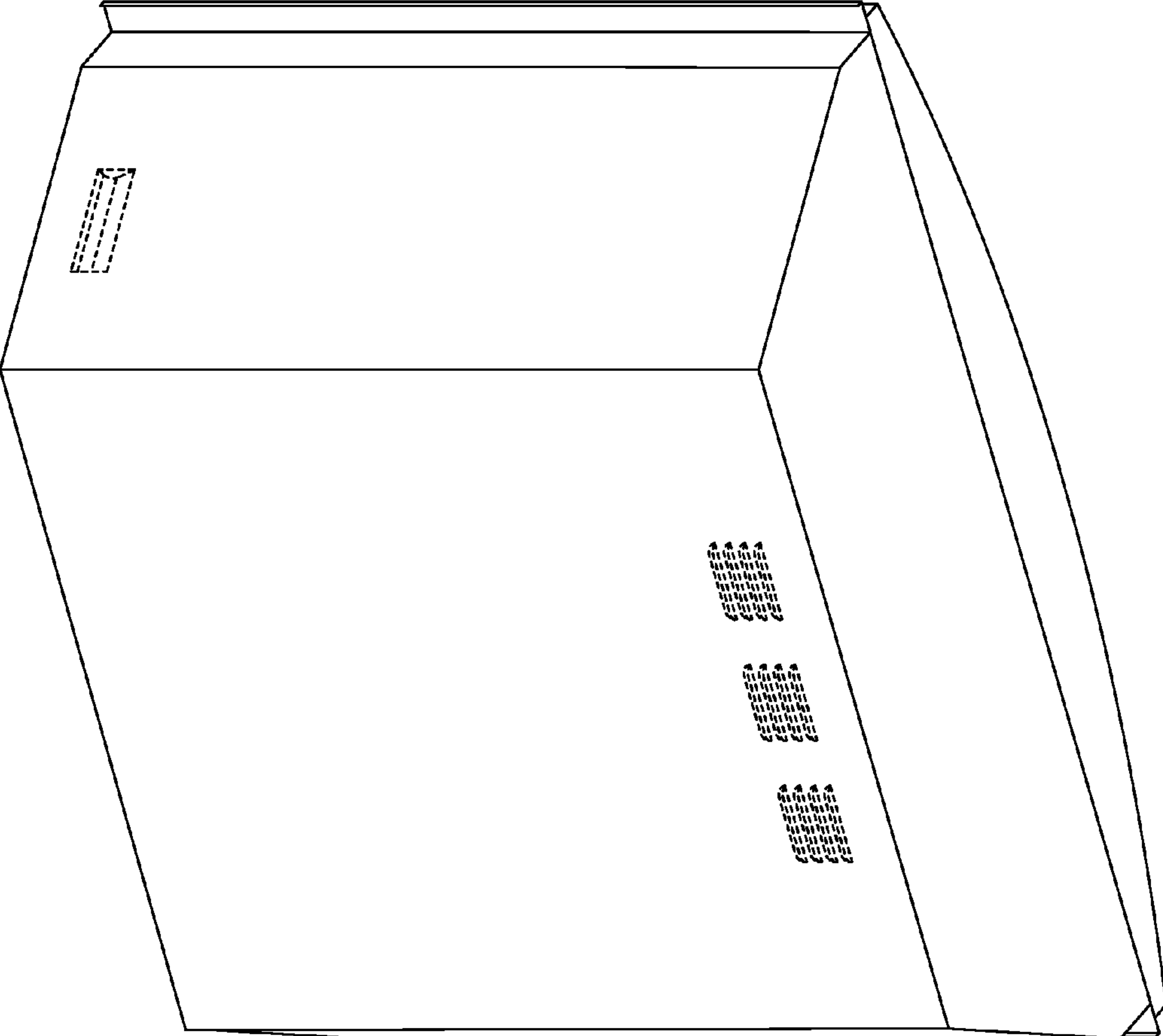


FIG. 130

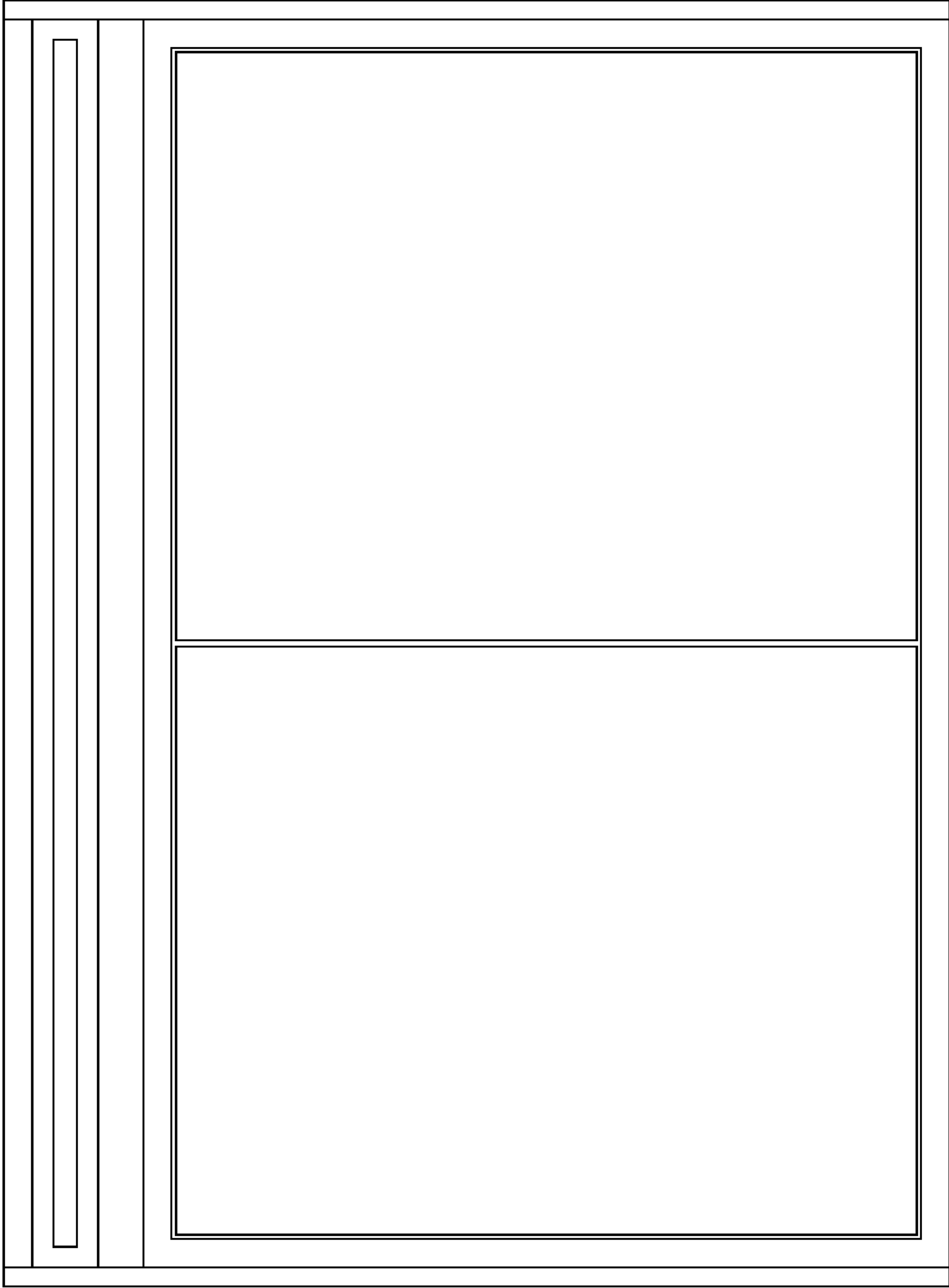


FIG. 131

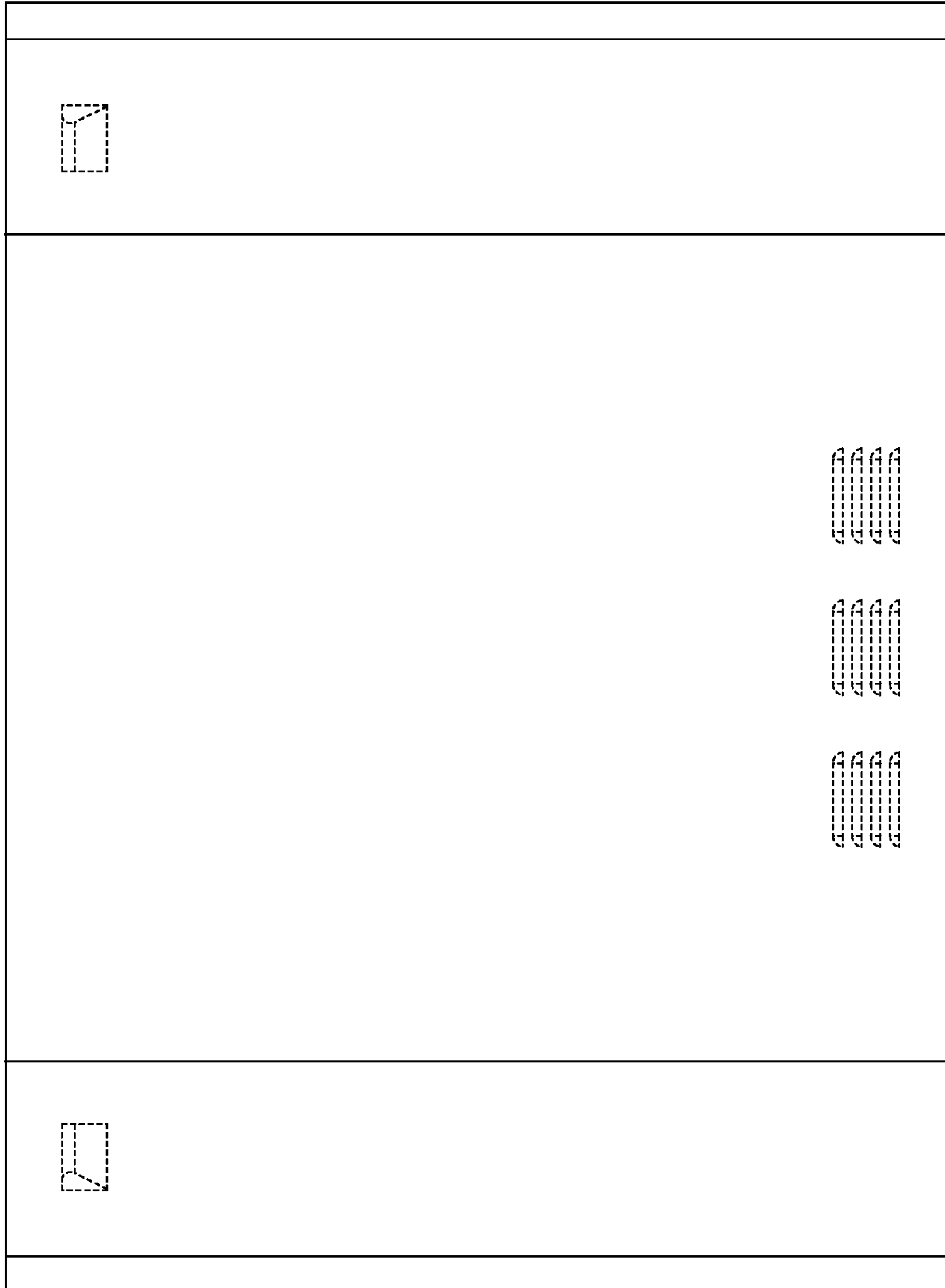


FIG. 132

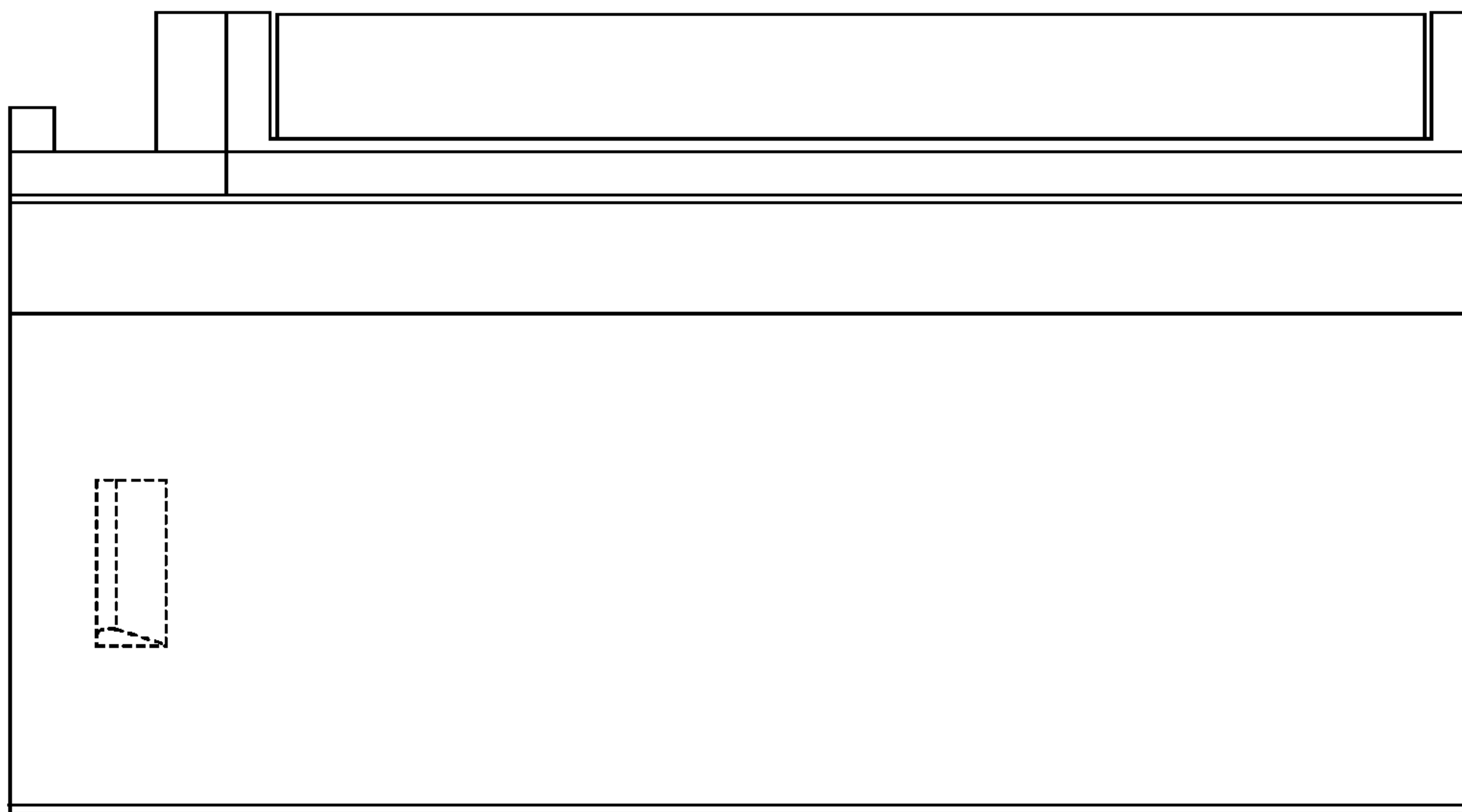


FIG. 133

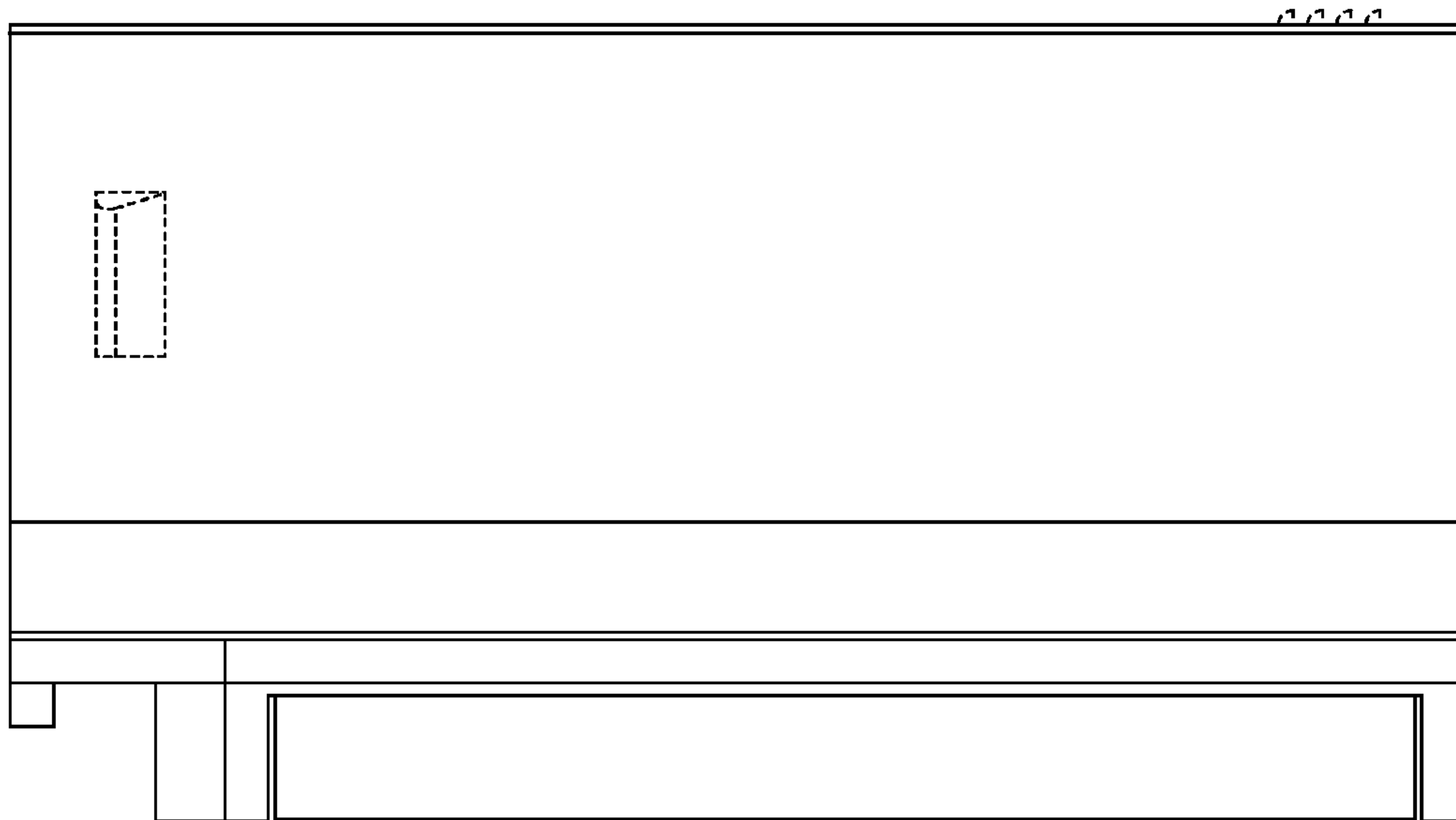


FIG. 134

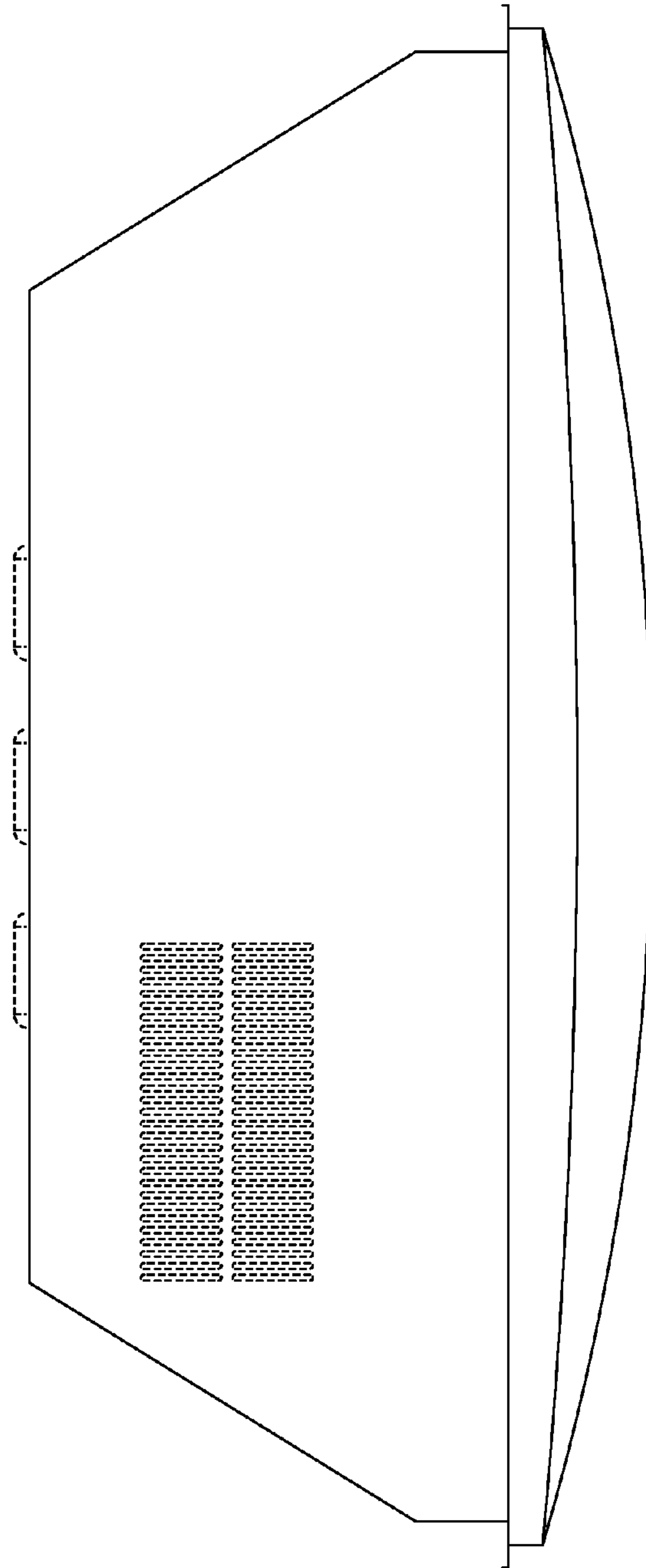


FIG. 135

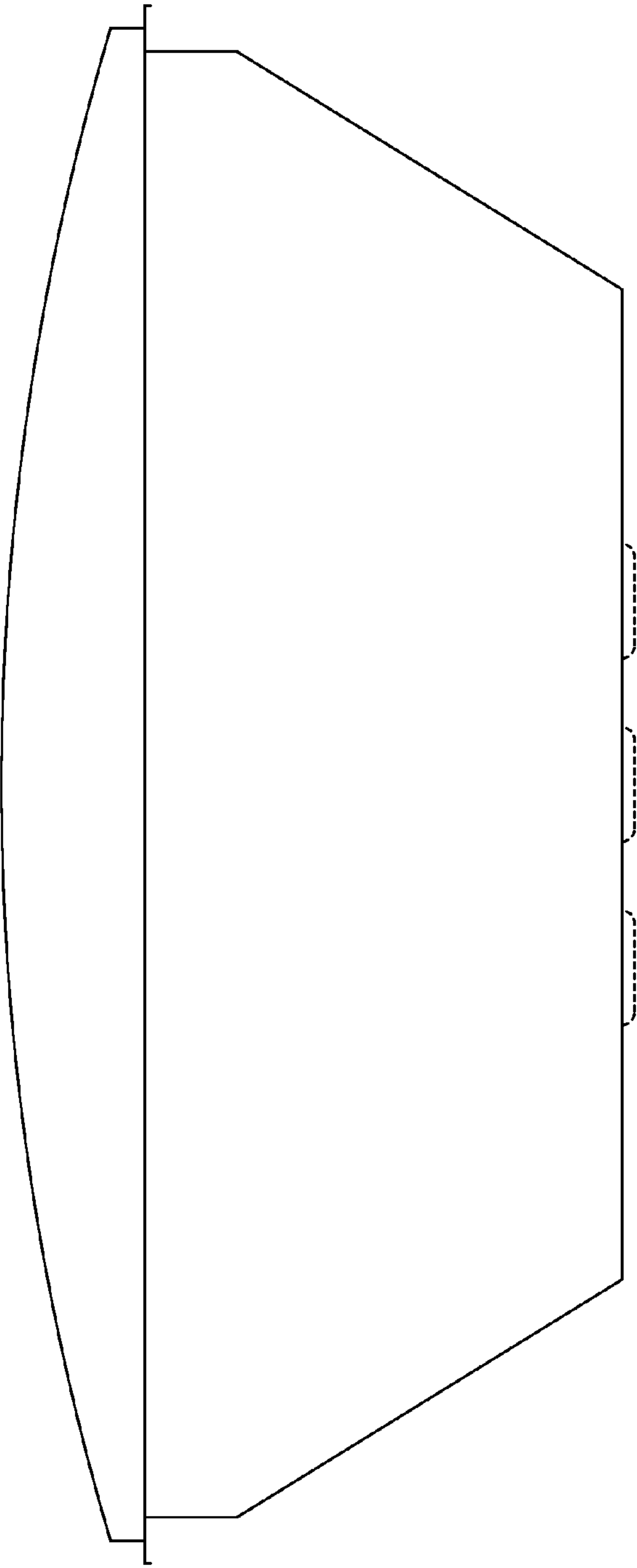


FIG. 136

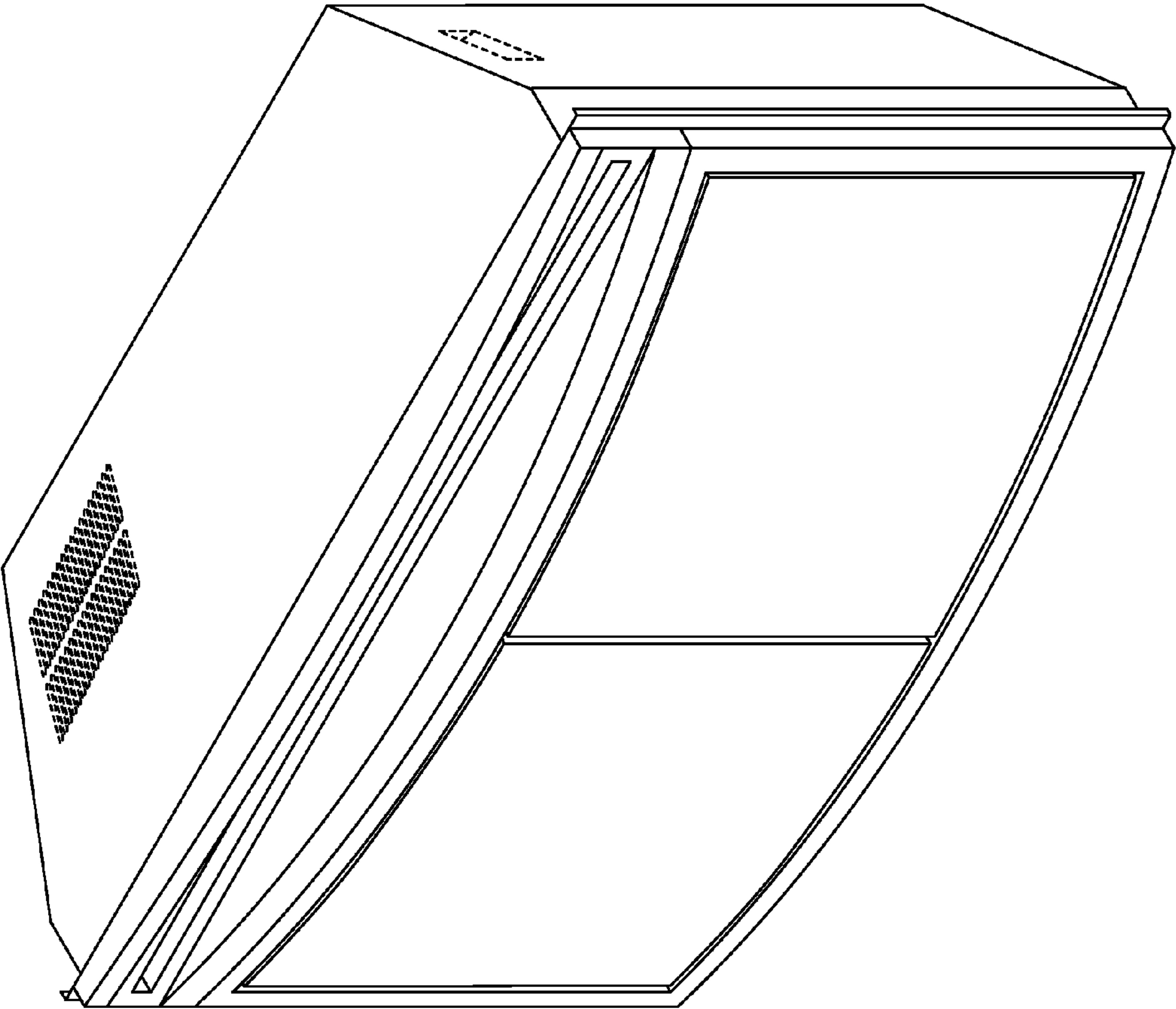


FIG. 137



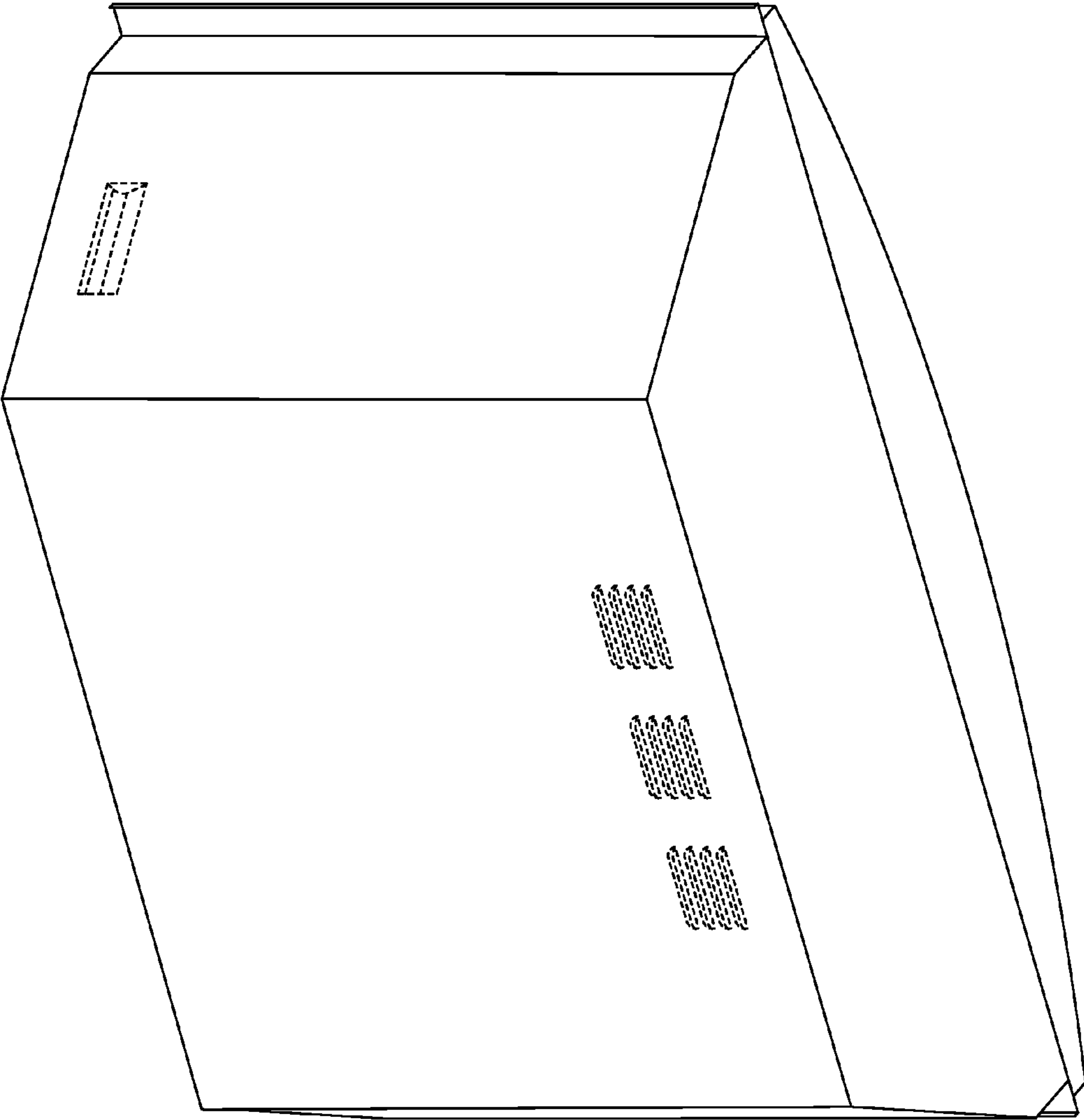


FIG. 138

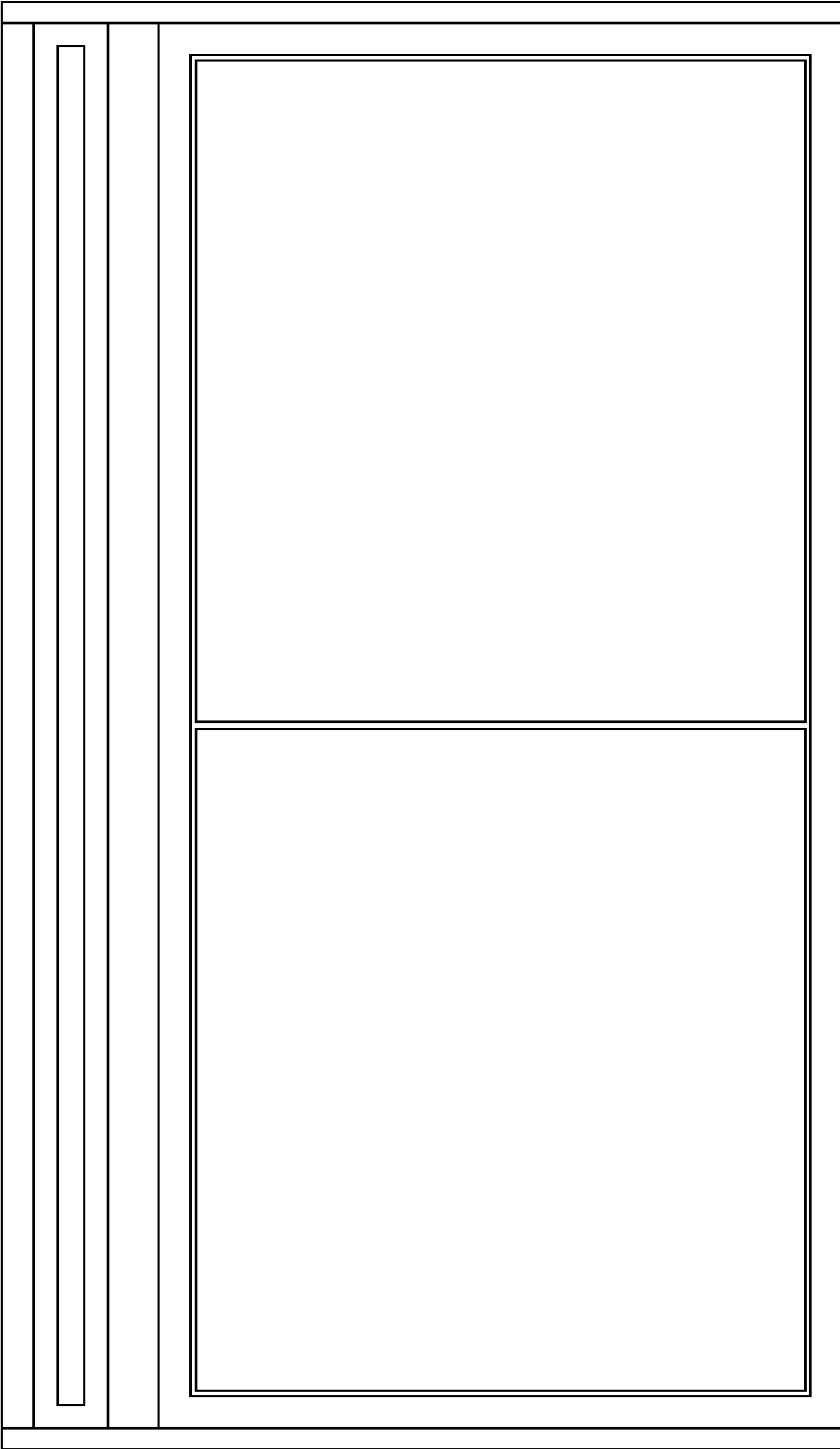


FIG. 139

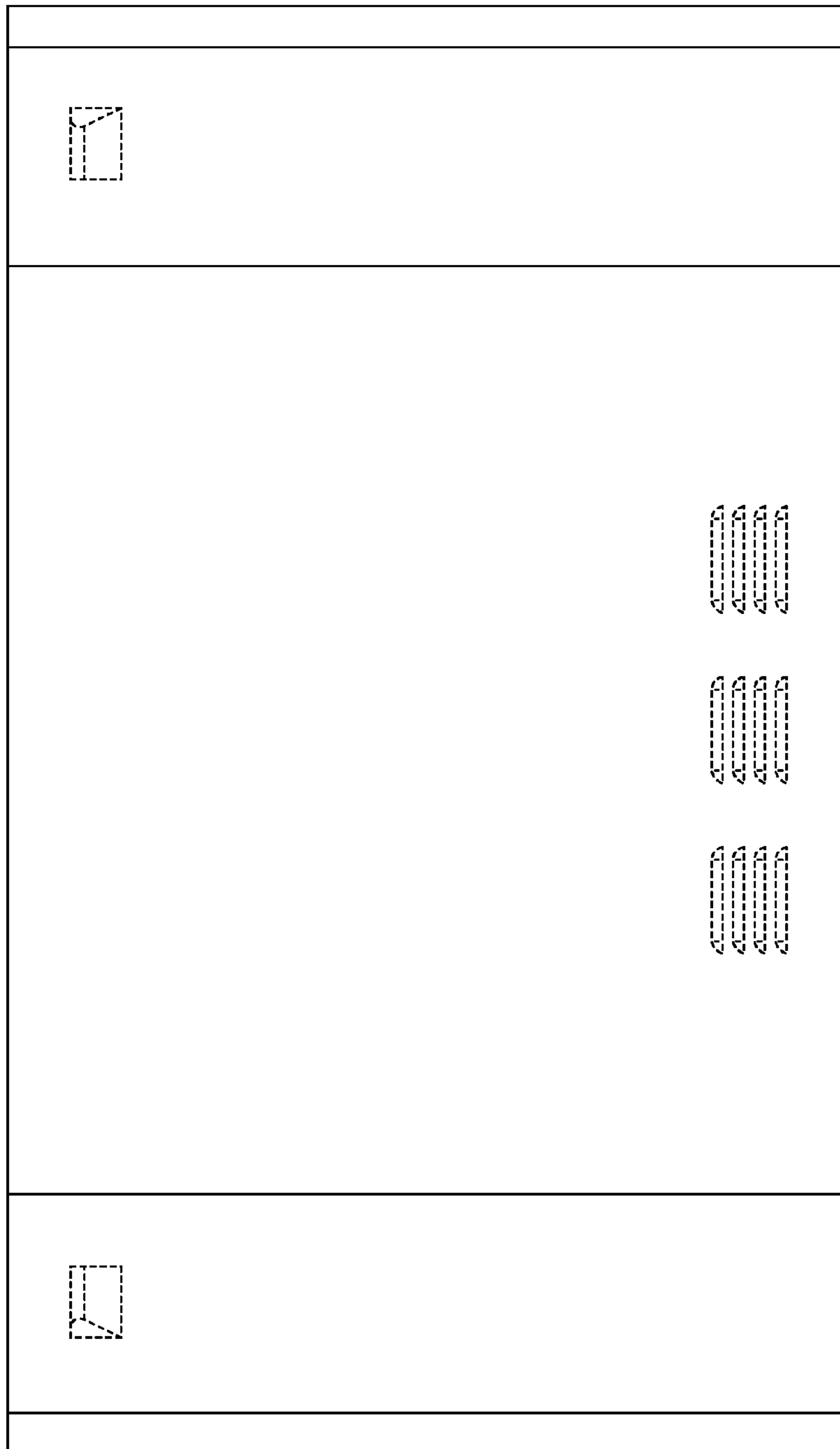


FIG. 140

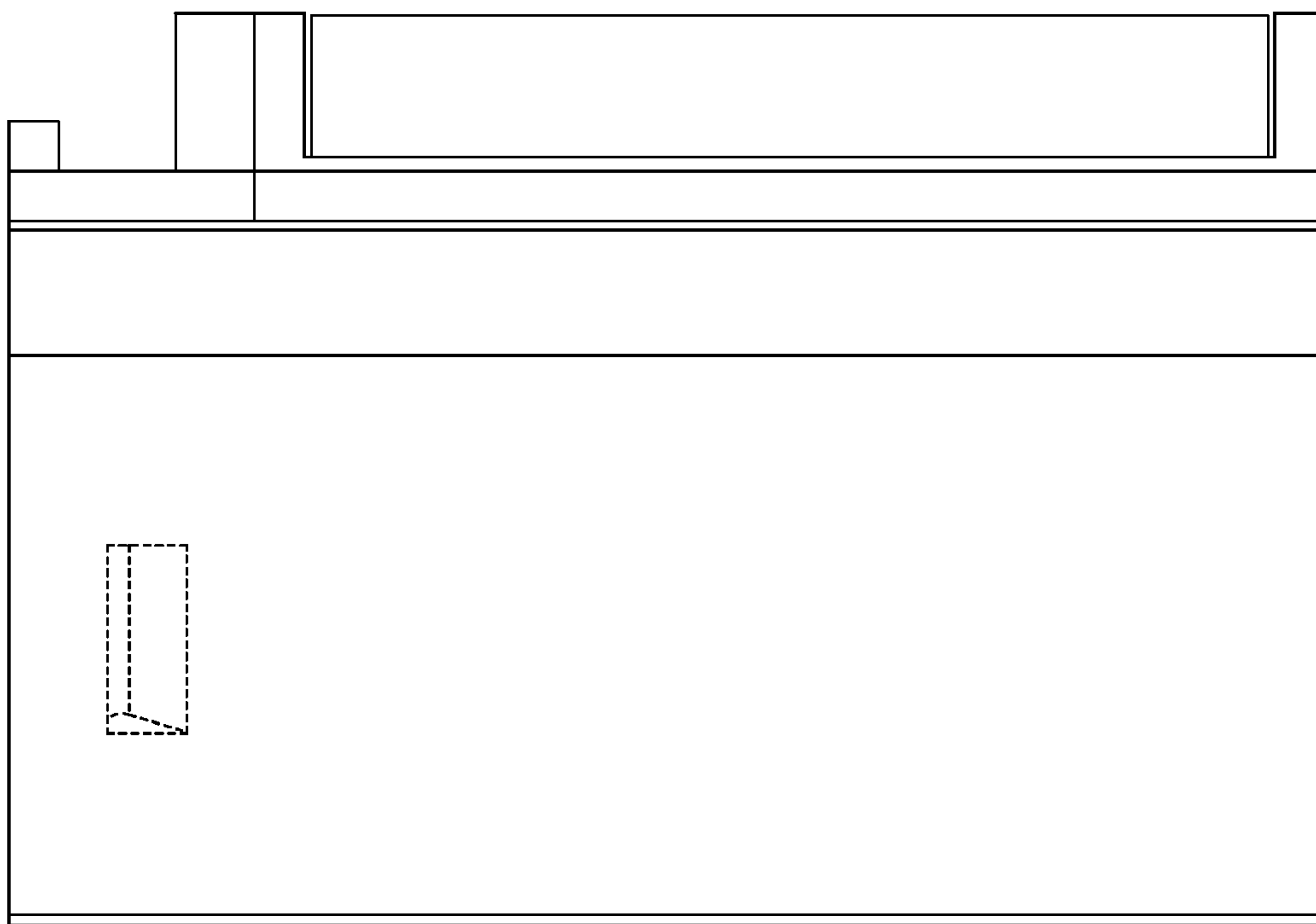


FIG. 141

1111

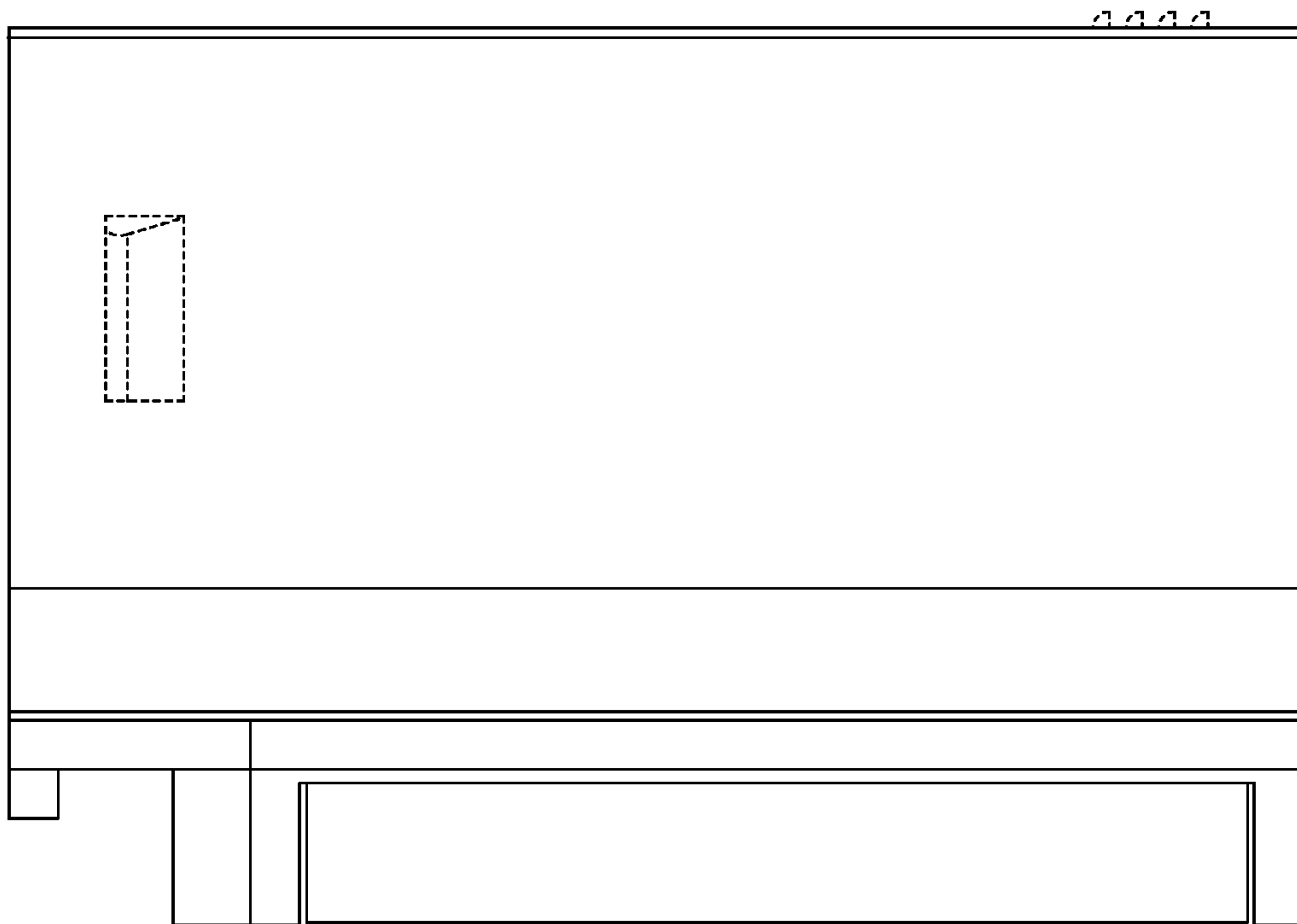


FIG. 142

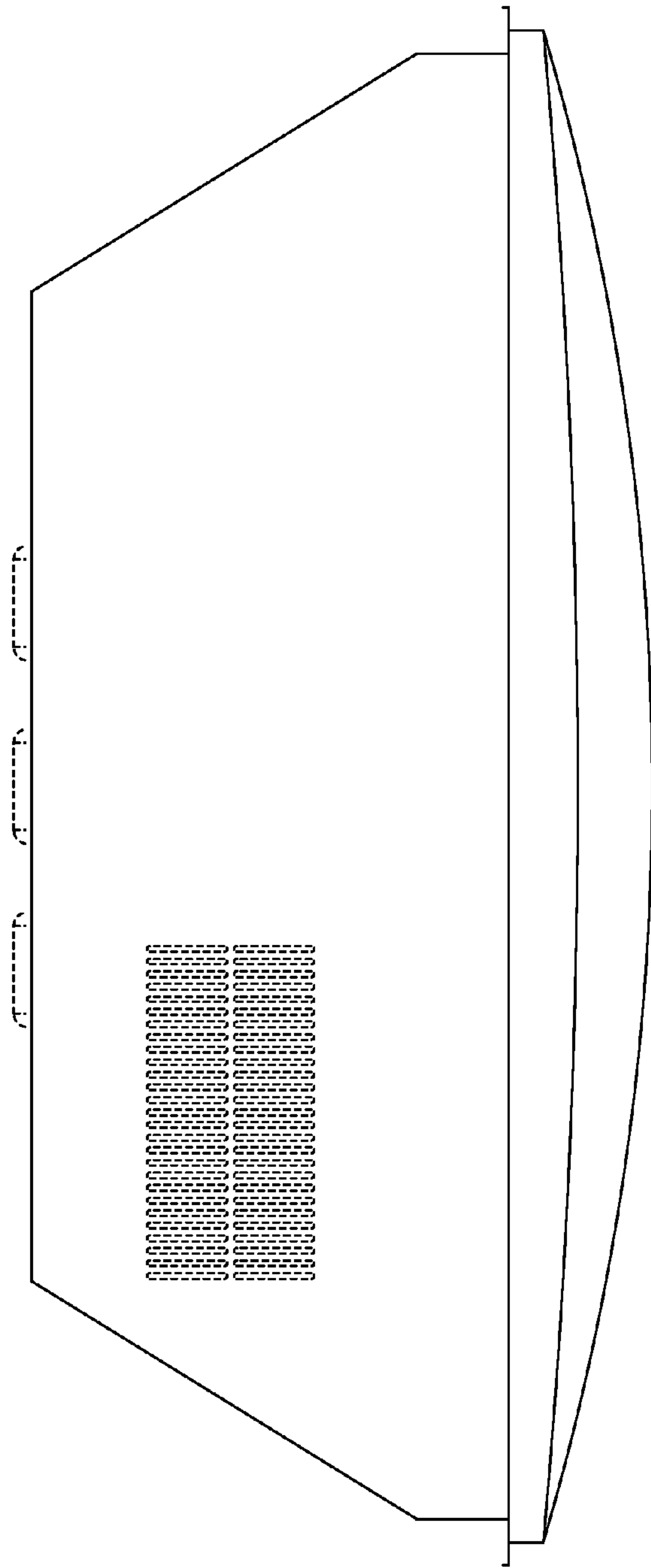


FIG. 143

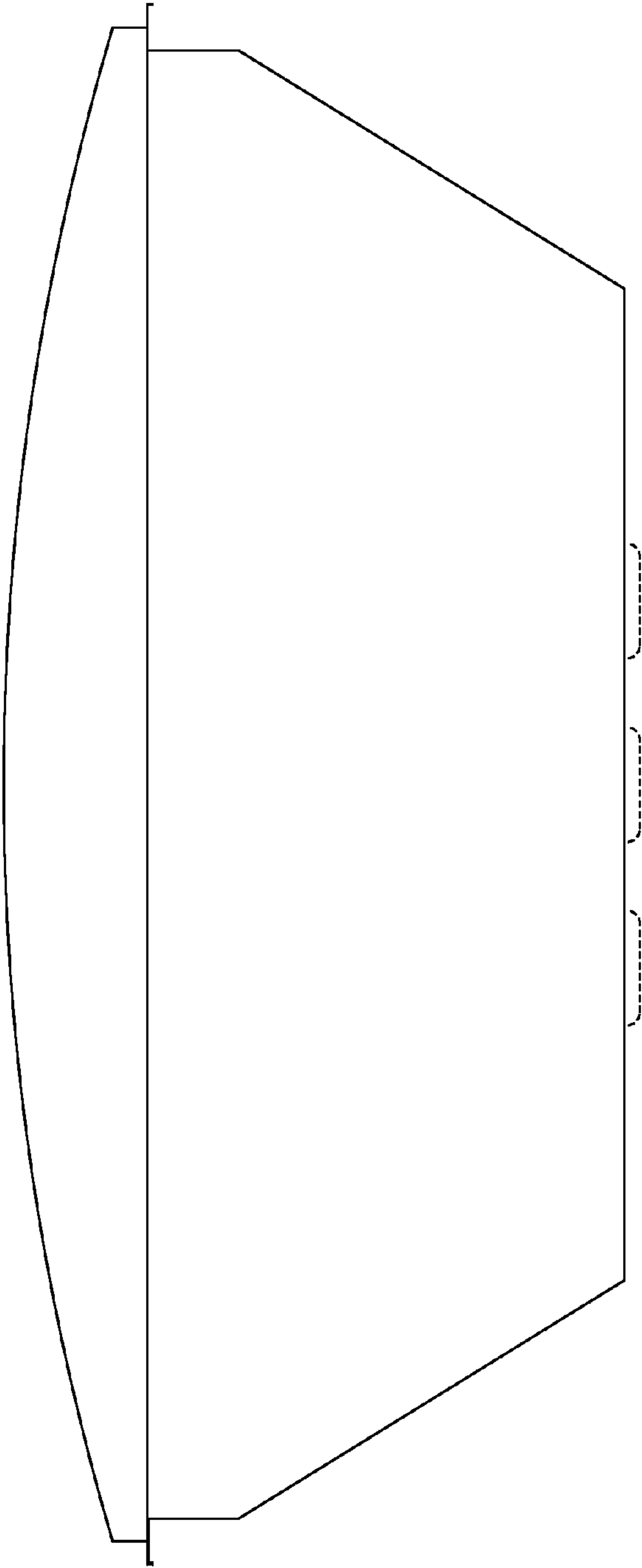


FIG. 144

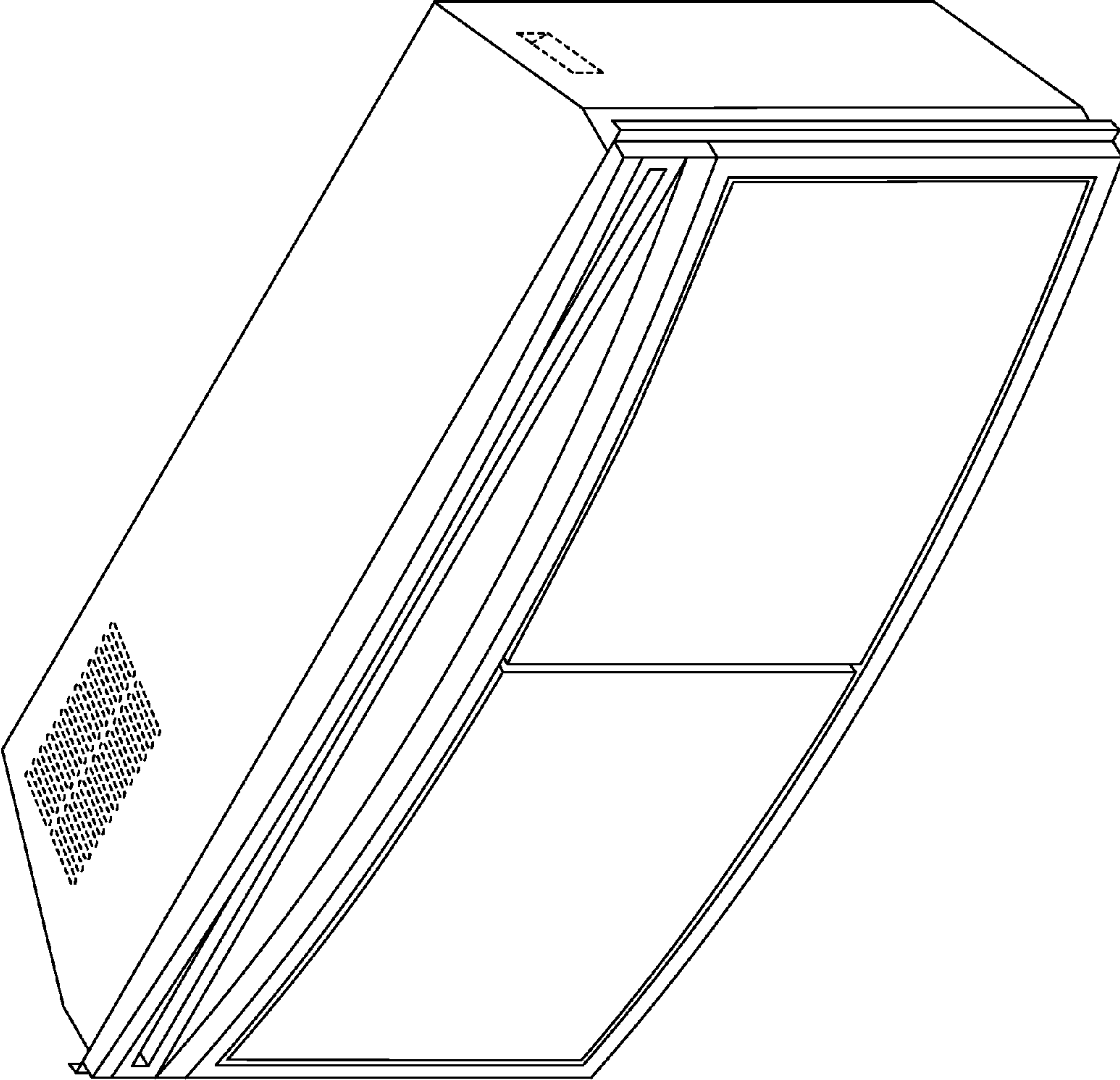


FIG. 145



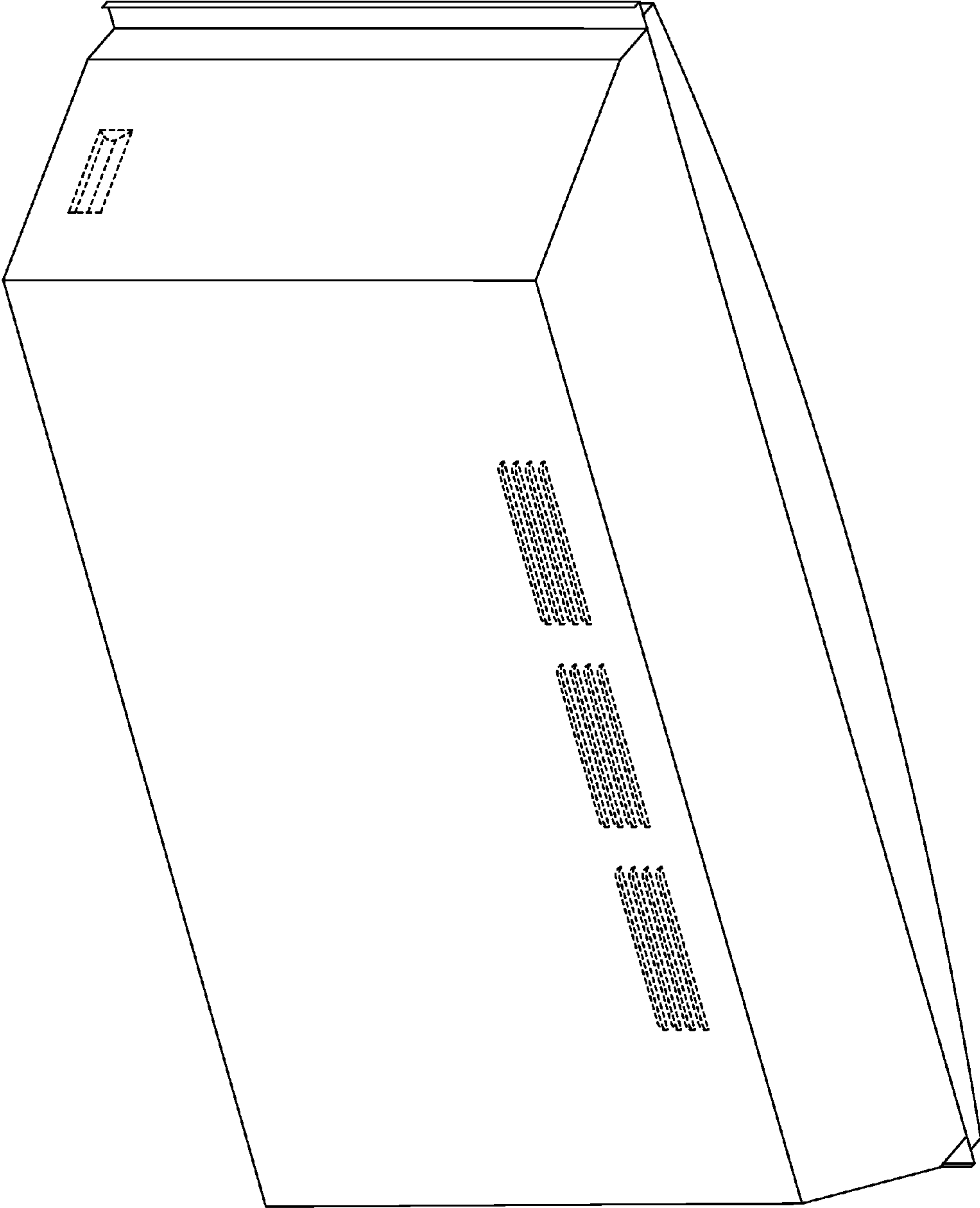


FIG. 146

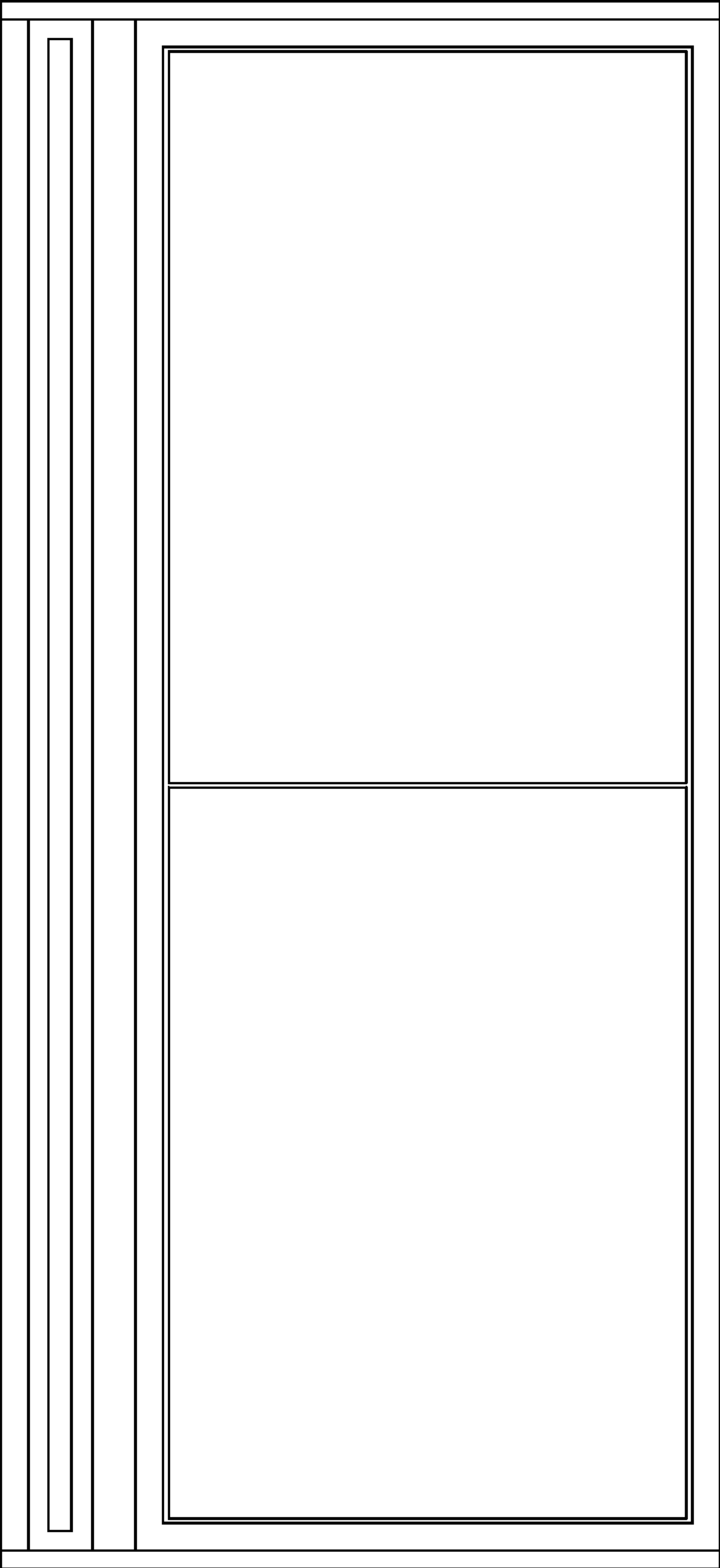


FIG. 147

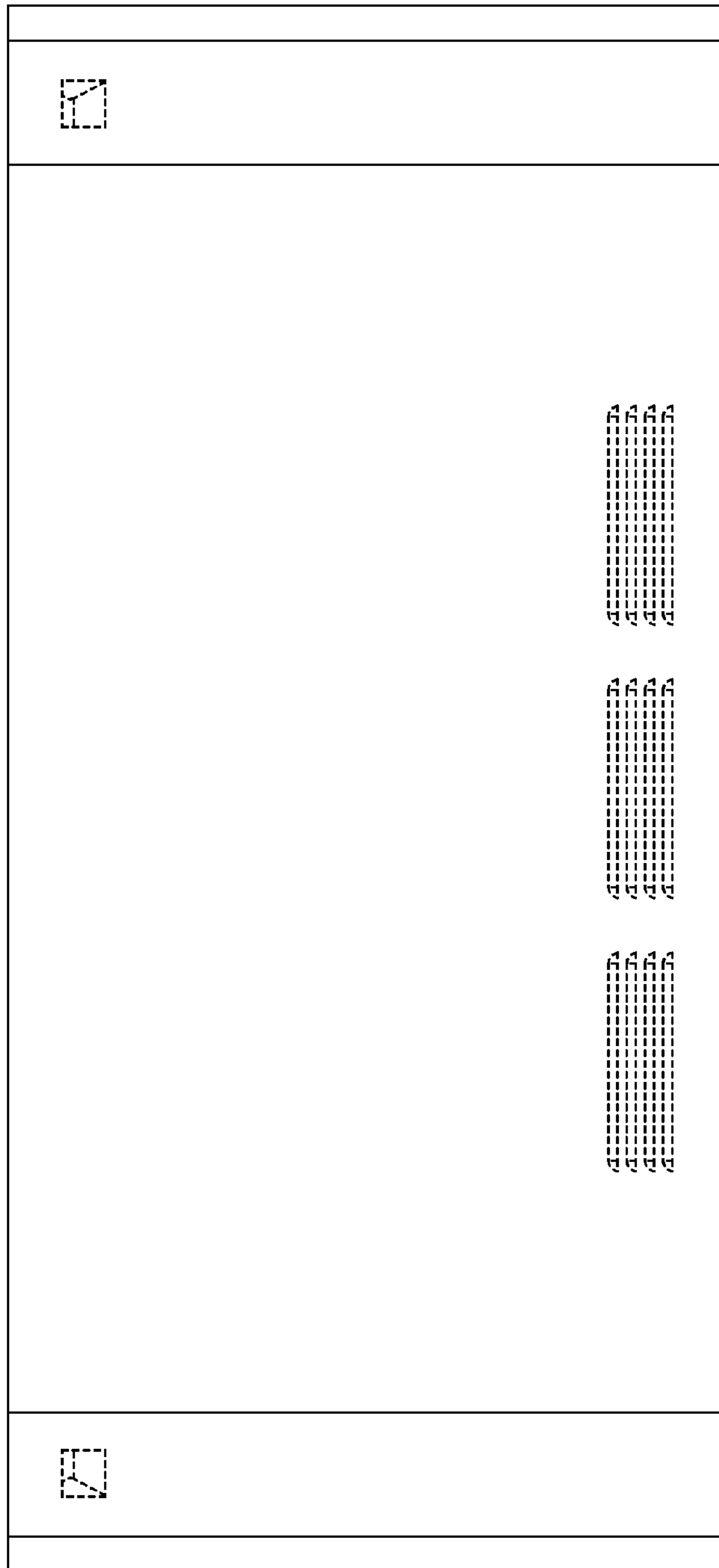


FIG. 148

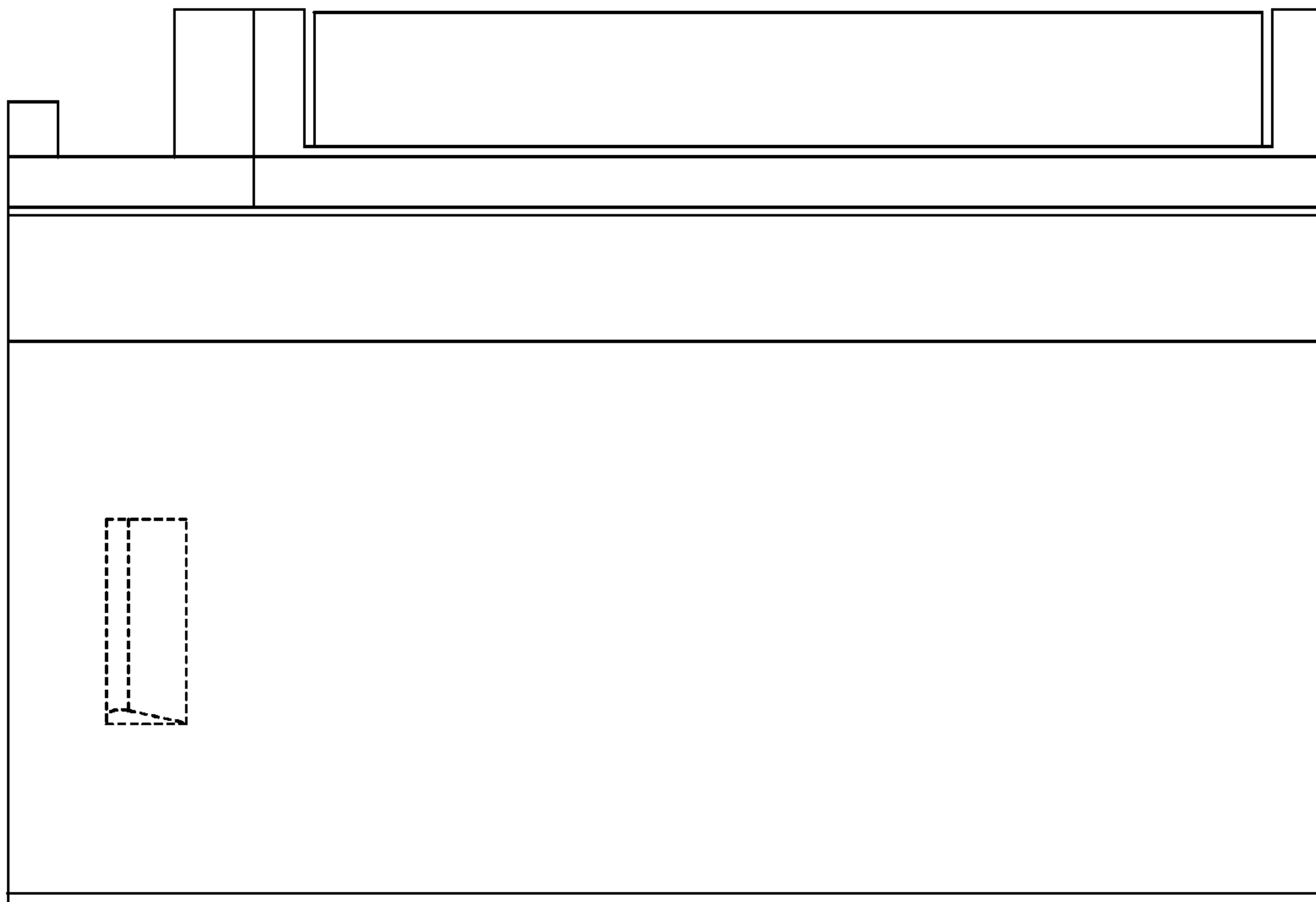


FIG. 149

9999

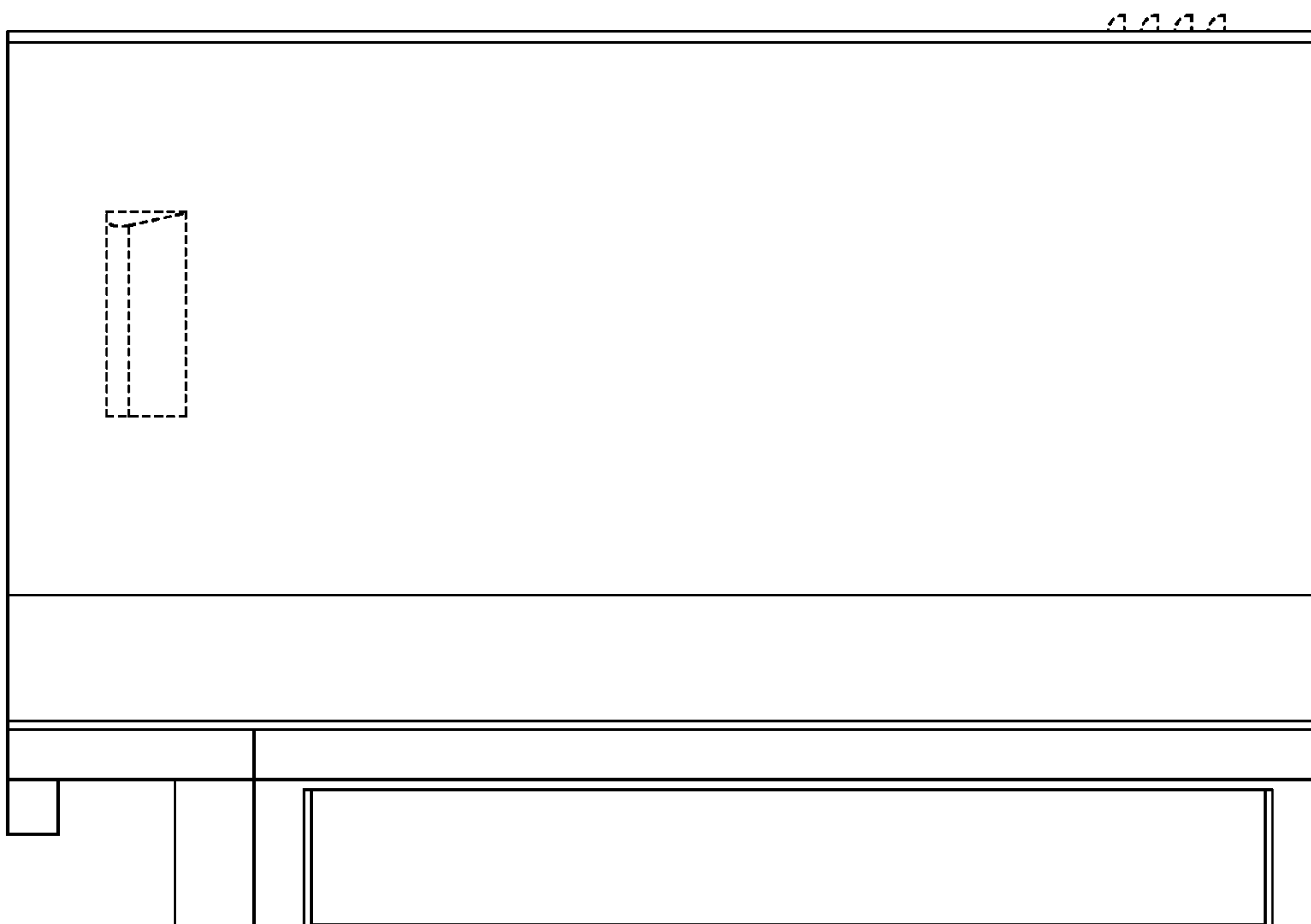


FIG. 150

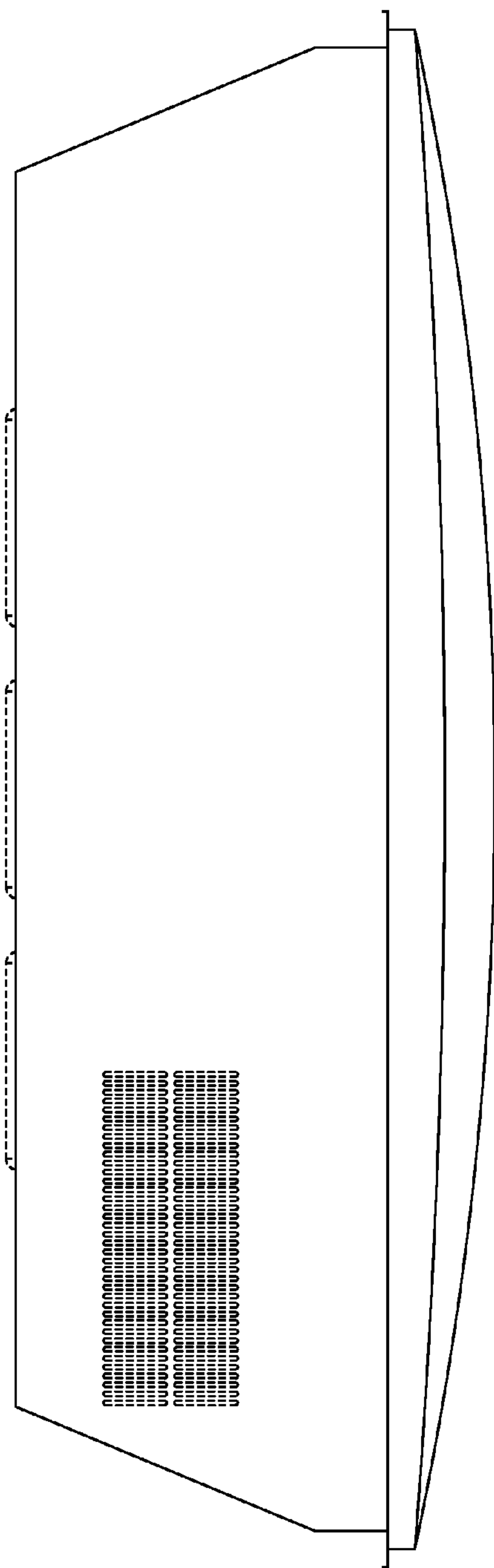


FIG. 151

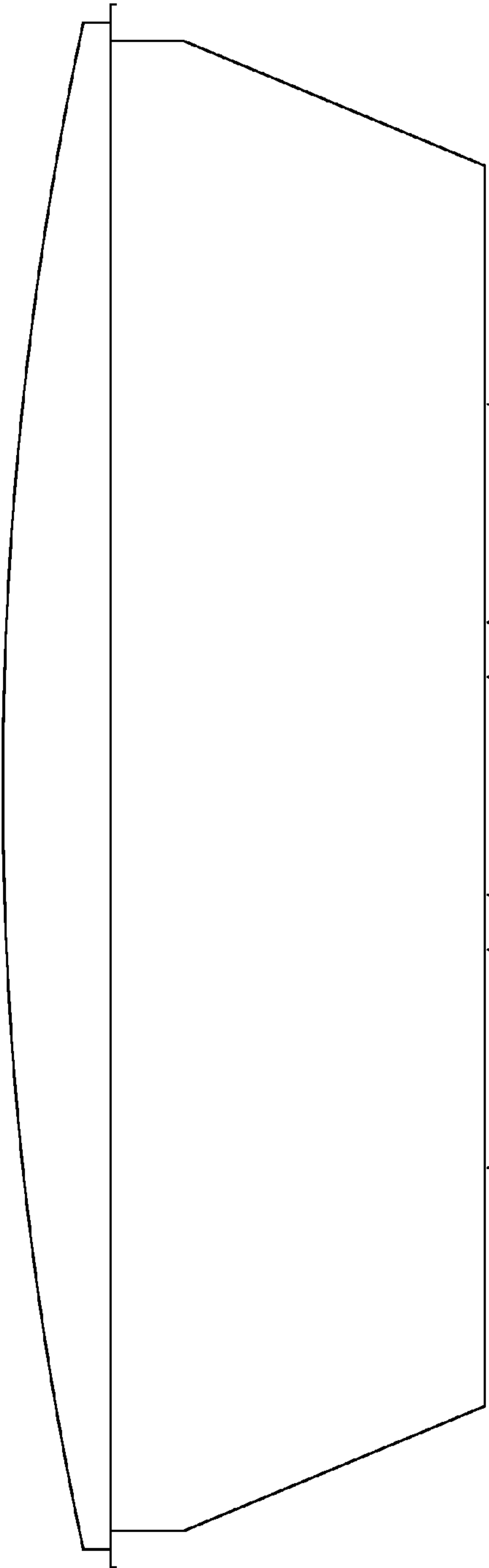


FIG. 152

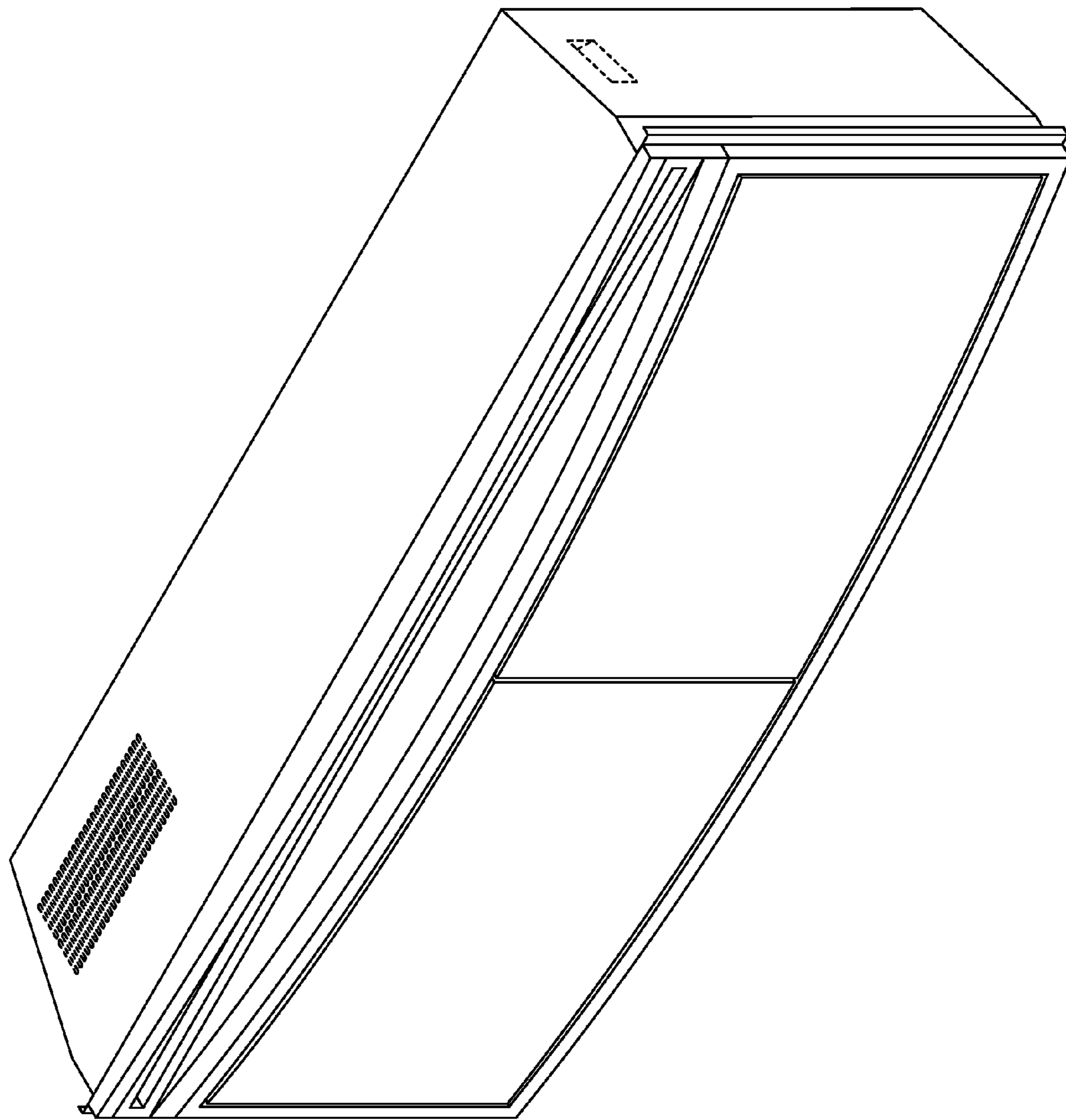


FIG. 153



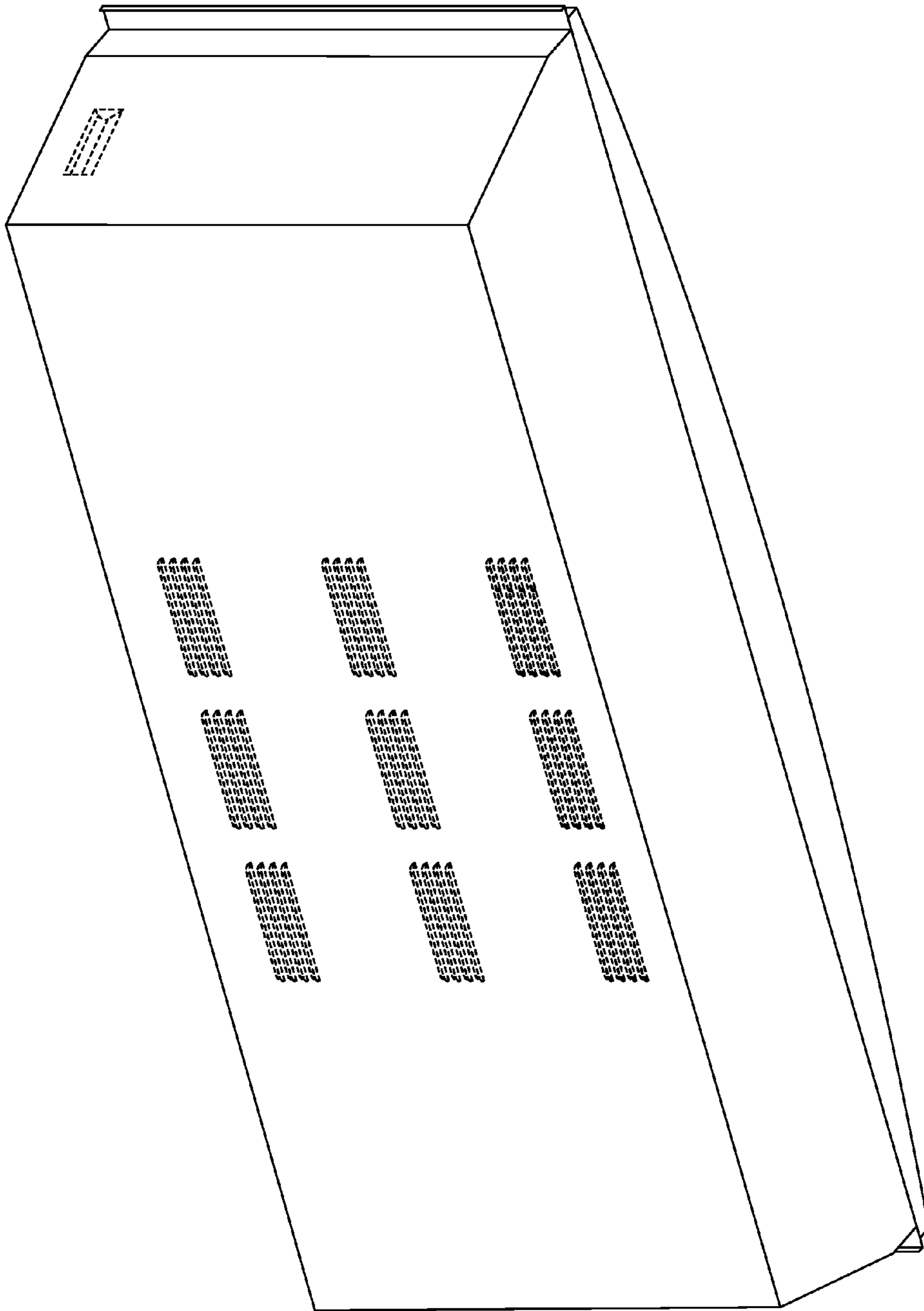


FIG. 154

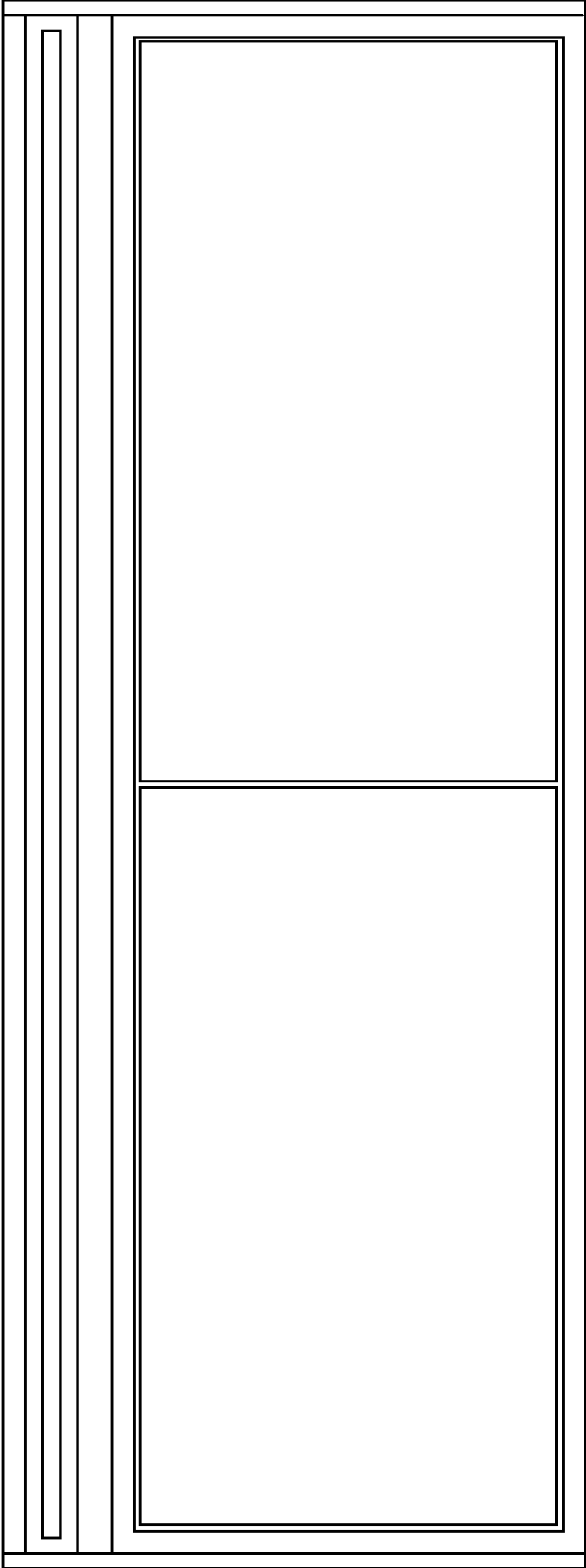


FIG. 155

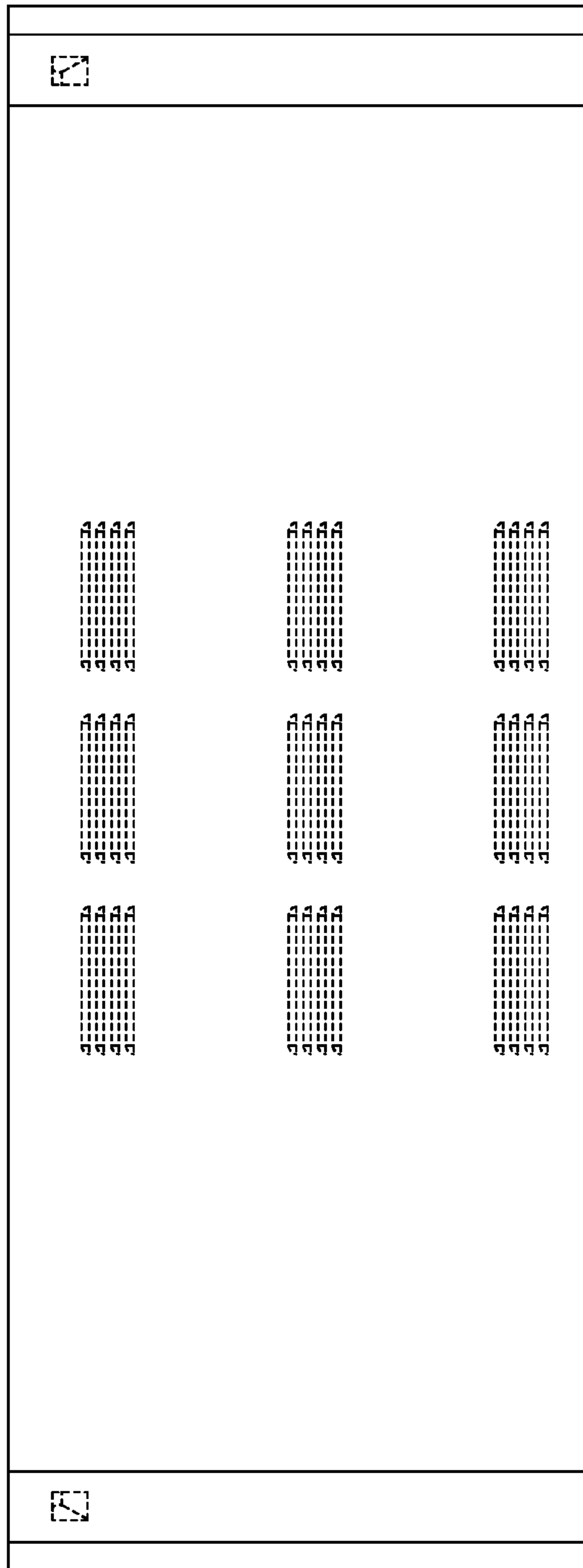


FIG. 156

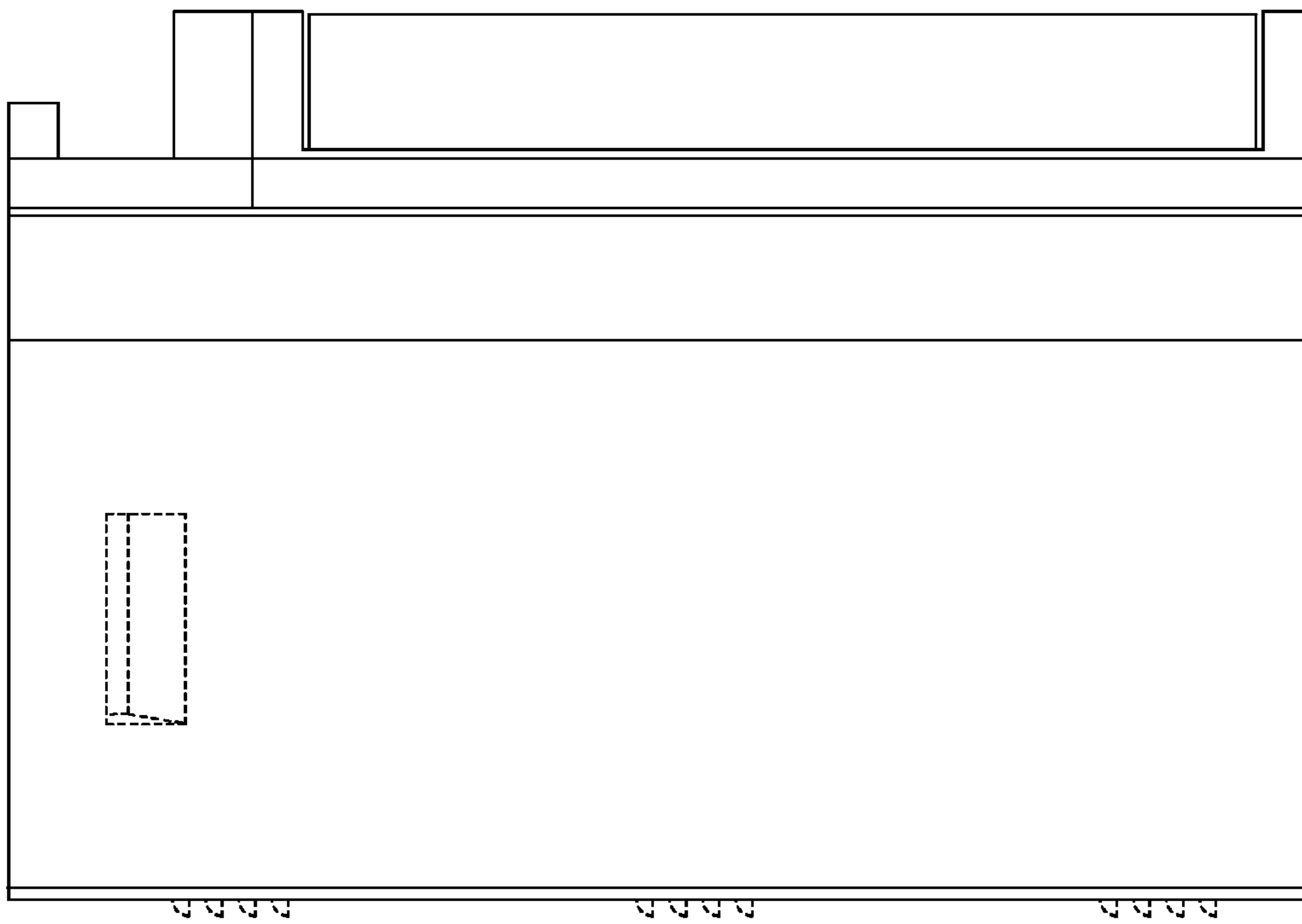


FIG. 157

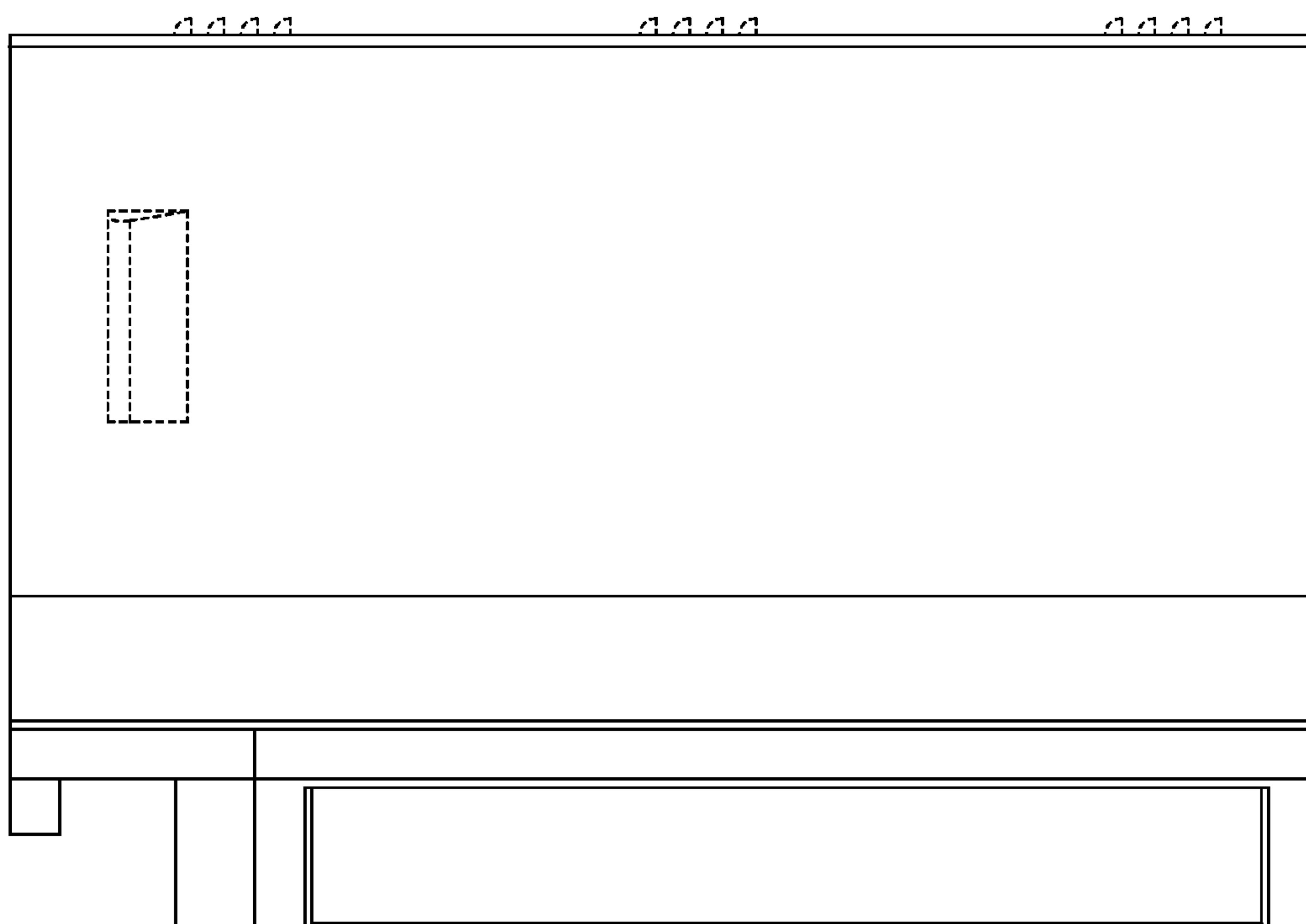


FIG. 158

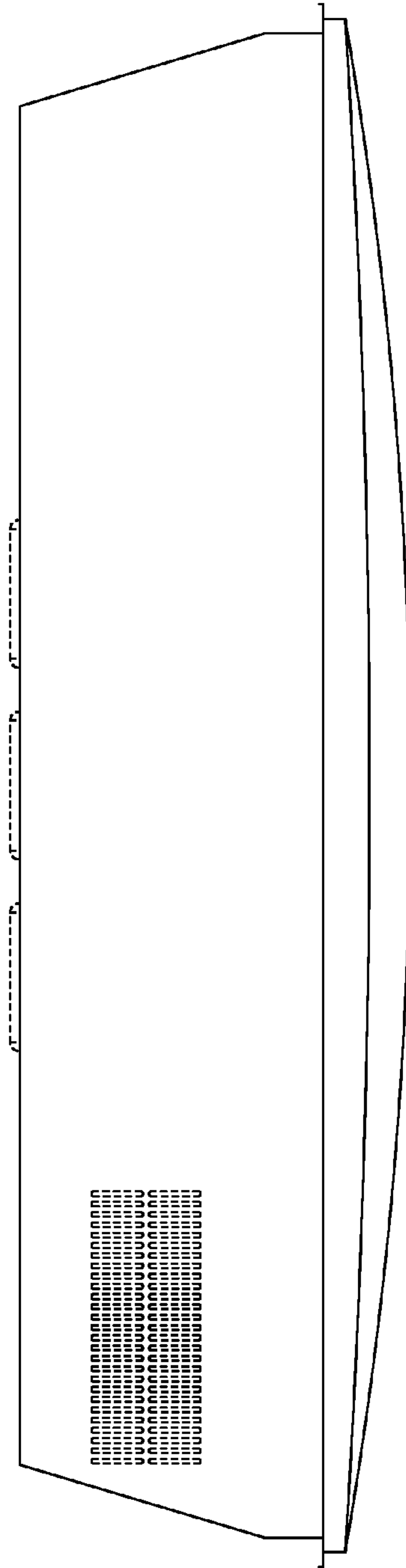


FIG. 159

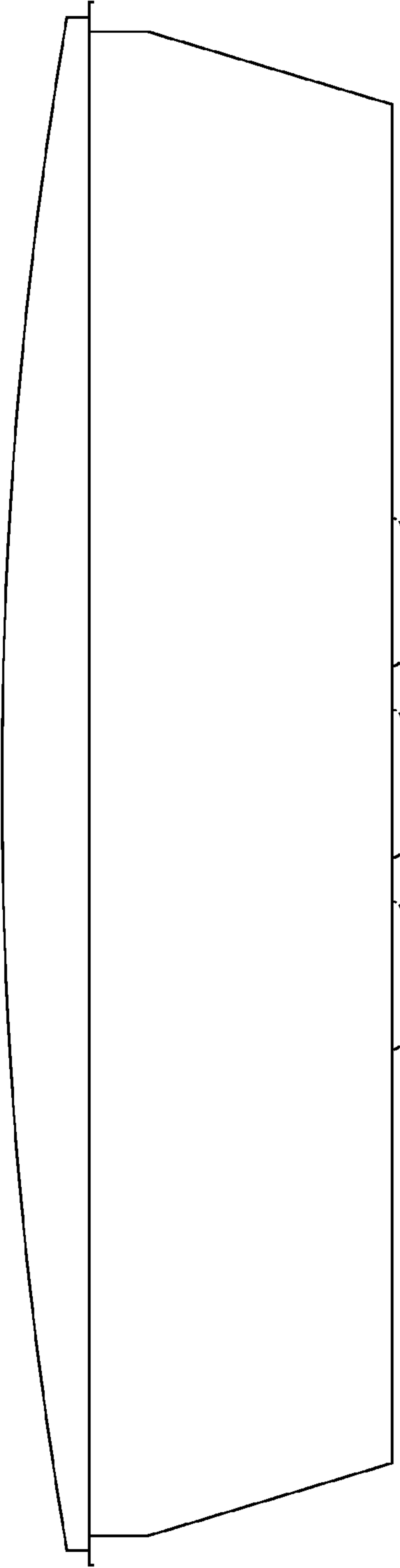


FIG. 160