

US00D667940S

(12) **United States Design Patent**
Licini

(10) **Patent No.:** **US D667,940 S**
(45) **Date of Patent:** **** Sep. 25, 2012**

(54) **SINK**

(75) Inventor: **Frederic Licini**, L'Etang la Ville (FR)

(73) Assignee: **Kohler France S.A.S.**, St. Denis Cedex (FR)

(**) Term: **14 Years**

(21) Appl. No.: **29/418,879**

(22) Filed: **Apr. 23, 2012**

Related U.S. Application Data

(62) Division of application No. 29/387,619, filed on Mar. 15, 2011, now Pat. No. Des. 659,811.

(51) **LOC (9) Cl.** **23-02**

(52) **U.S. Cl.** **D23/293.1**

(58) **Field of Classification Search** D23/284,
D23/290-292, 293.1, 303, 308; 4/619, 639-640
See application file for complete search history.

(56) **References Cited**

U.S. PATENT DOCUMENTS

D295,669 S	5/1988	Kolada
D399,933 S	10/1998	Thomas
D415,261 S	10/1999	Thomas
D434,124 S	11/2000	McKeone
D471,264 S	3/2003	Bennie

(Continued)

Primary Examiner — Robert Delehanty

(74) *Attorney, Agent, or Firm* — Foley & Lardner LLP

(57) **CLAIM**

We claim the ornamental design for a sink, as shown and described.

DESCRIPTION

FIG. 1 is a top rear isometric view of another embodiment of the claimed design;

FIG. 2 is a top front isometric view of the claimed design of FIG. 1;

FIG. 3 is a top plan view of the claimed design of FIG. 1;

FIG. 4 is a bottom plan view of the claimed design of FIG. 1;

FIG. 5 is a front elevation view of the claimed design of FIG. 1;

FIG. 6 is a rear elevation view of the claimed design of FIG. 1;

FIG. 7 is a left-side elevation view of the claimed design of FIG. 1;

FIG. 8 is a top front isometric view of another embodiment of the claimed design;

FIG. 9 is a top rear isometric view of the claimed design of FIG. 8;

FIG. 10 is a top plan view of the claimed design of FIG. 8;

FIG. 11 is a bottom plan view of the claimed design of FIG. 8;

FIG. 12 is a front elevation view of the claimed design of FIG. 8;

FIG. 13 is a rear elevation view of the claimed design of FIG. 8;

FIG. 14 is a left-side elevation view of the claimed design of FIG. 8;

FIG. 15 is a top isometric view of another embodiment of the claimed design;

FIG. 16 is a top plan view of the claimed design of FIG. 15;

FIG. 17 is a bottom plan view of the claimed design of FIG. 15;

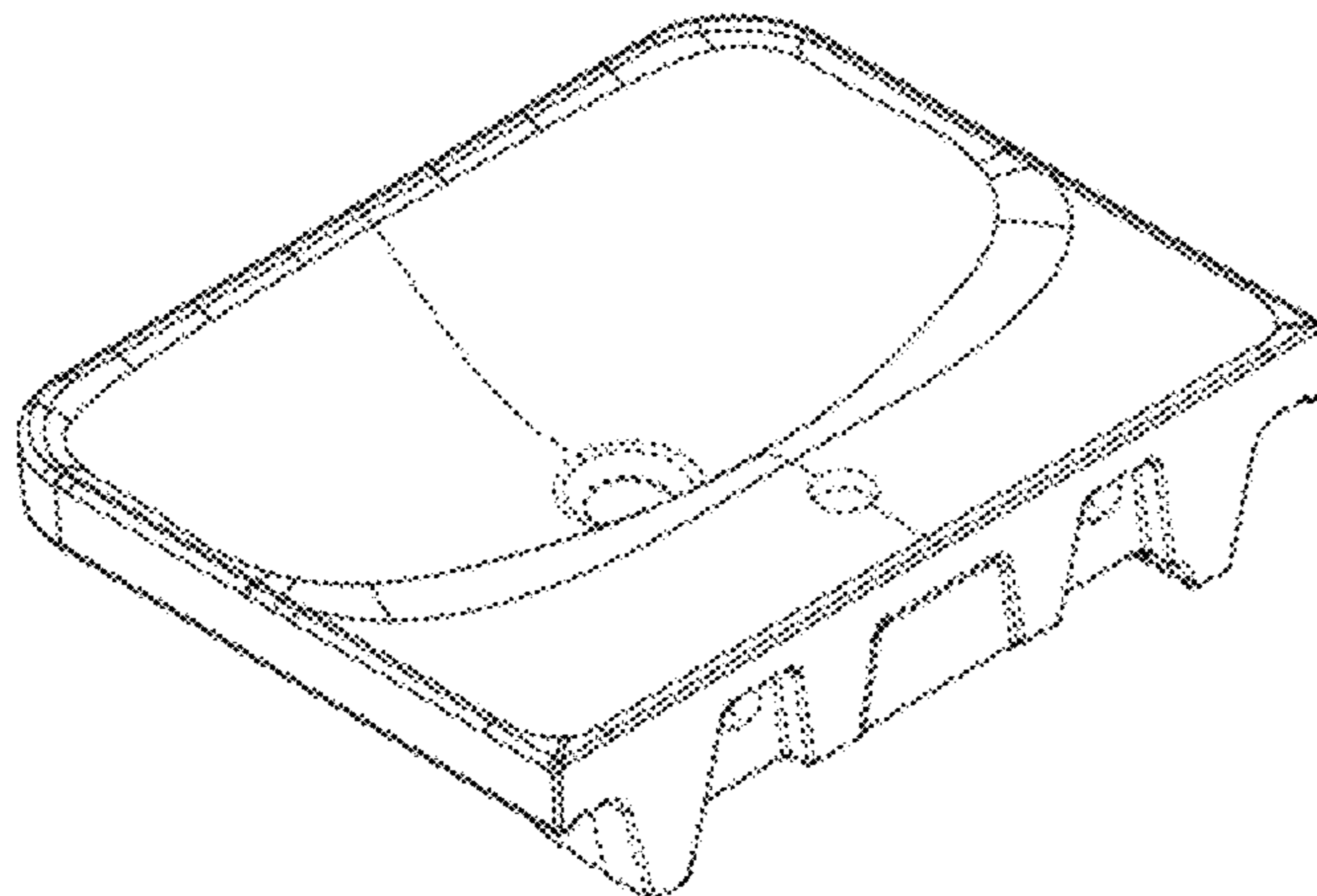
FIG. 18 is a front elevation view of the claimed design of FIG. 15;

FIG. 19 is a rear elevation view of the claimed design of FIG. 15; and,

FIG. 20 is a left-side elevation view of the claimed design of FIG. 15.

The ornamental design which is claimed is shown in solid lines in the drawings. The broken lines in the drawings are for illustrative purposes only and form no part of the claimed design.

1 Claim, 12 Drawing Sheets



US D667,940 S

Page 2

U.S. PATENT DOCUMENTS

D473,293 S	4/2003	Piatt	D538,410 S	3/2007	Chensesseau
D482,434 S	11/2003	Piatt	D538,903 S	3/2007	Paterson
D492,396 S	6/2004	Sutopo	D540,442 S	4/2007	Kohler, Jr. et al.
D504,170 S	4/2005	Kergoet	D585,116 S	1/2009	Thalmann Gomez et al.
D516,188 S	2/2006	Kergoet	D598,990 S	8/2009	Duringer et al.
D524,429 S	7/2006	Bates	D599,448 S	9/2009	Duringer et al.
D538,407 S	3/2007	Bates et al.	D632,766 S	2/2011	Matsuura et al.
			D634,409 S	3/2011	Palomba et al.
			D636,855 S	4/2011	Thomas

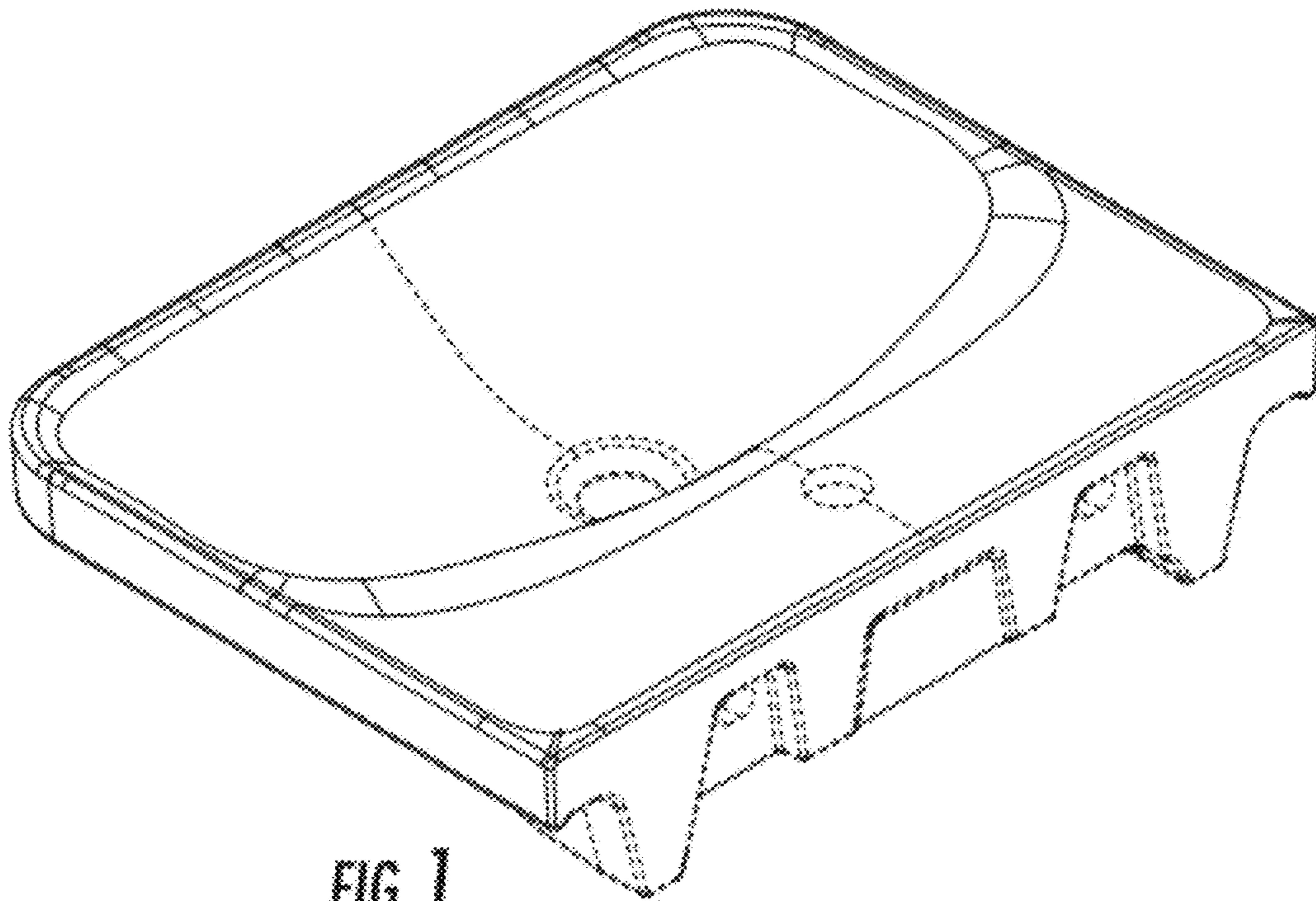


FIG. 1

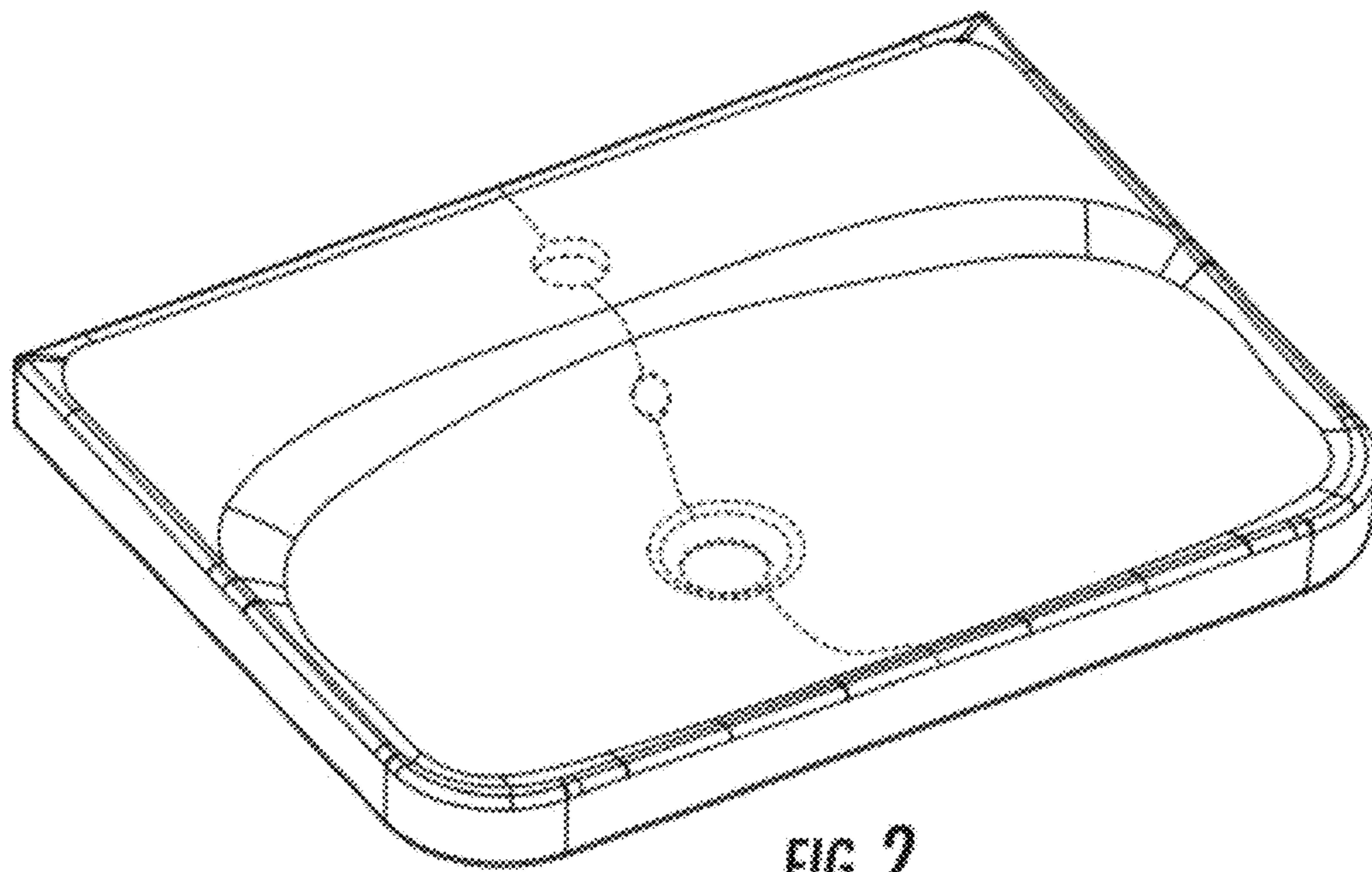


FIG. 2

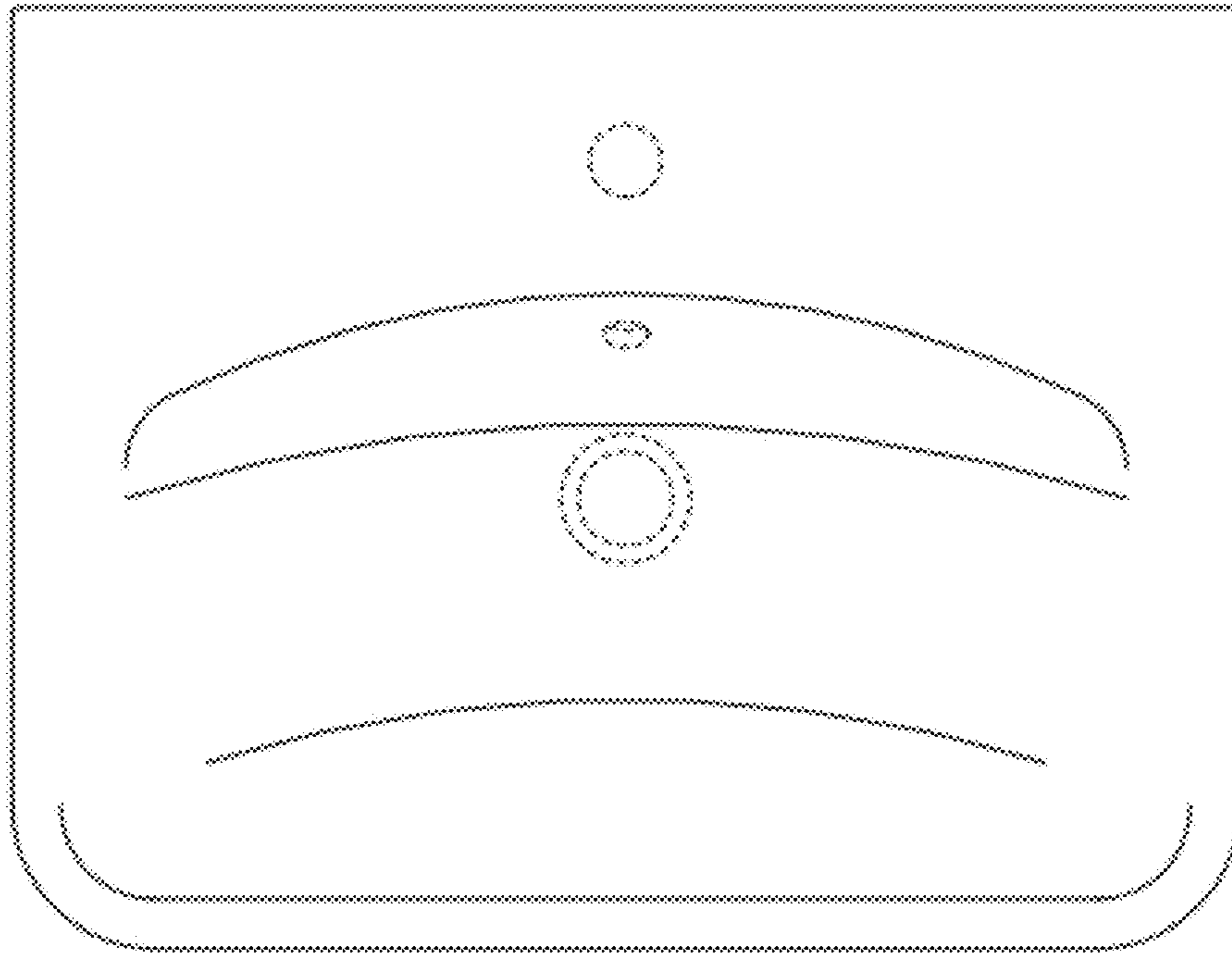


FIG. 3

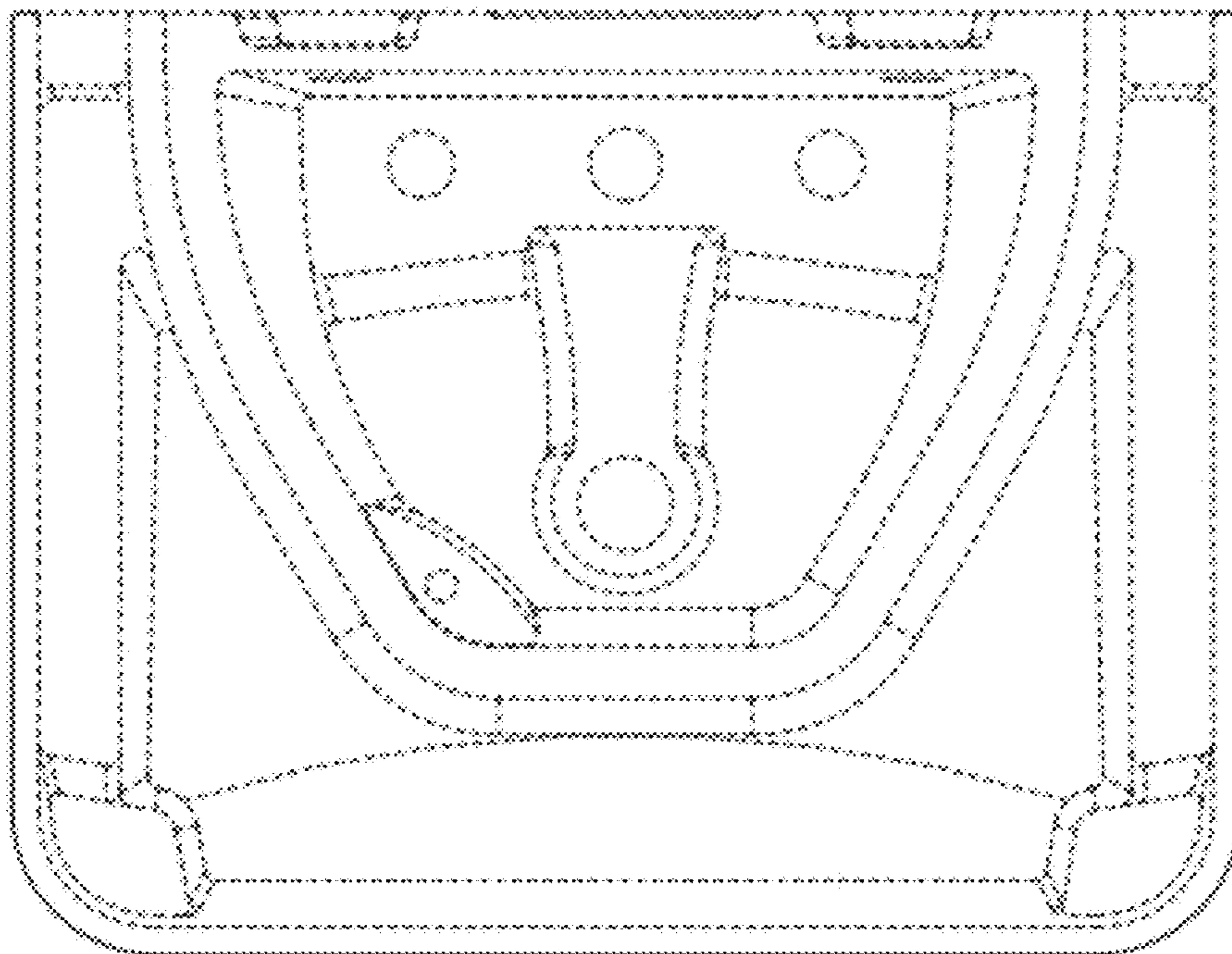


FIG. 4

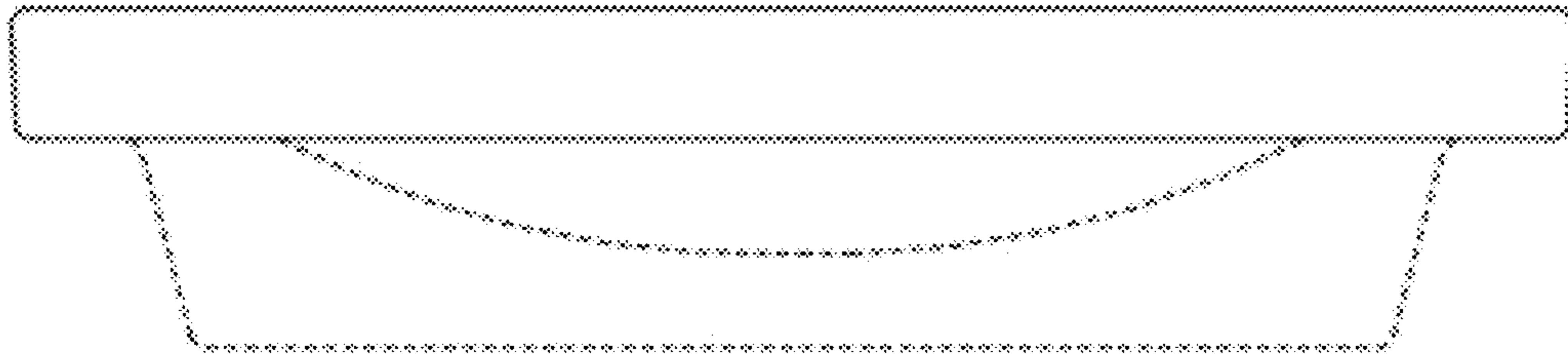


FIG. 5

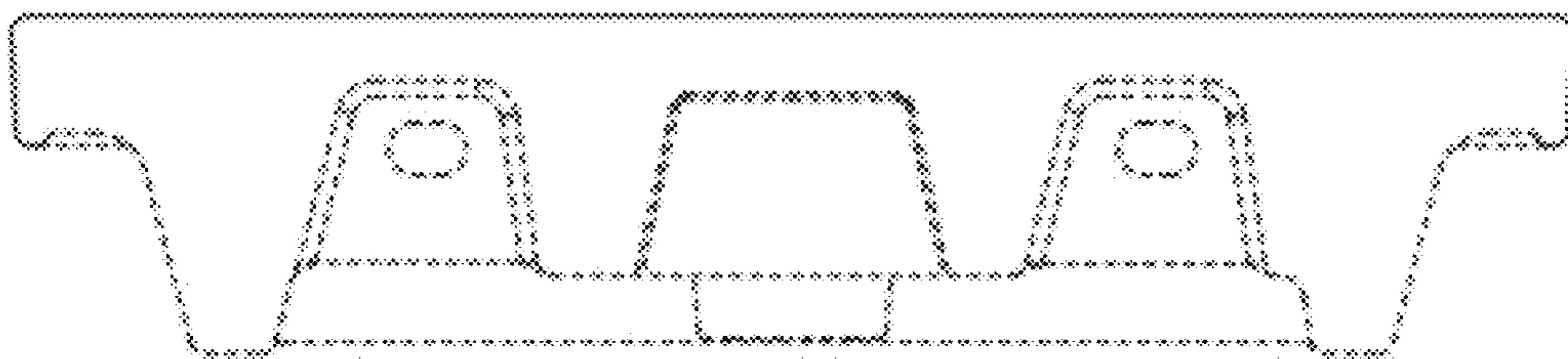


FIG. 6

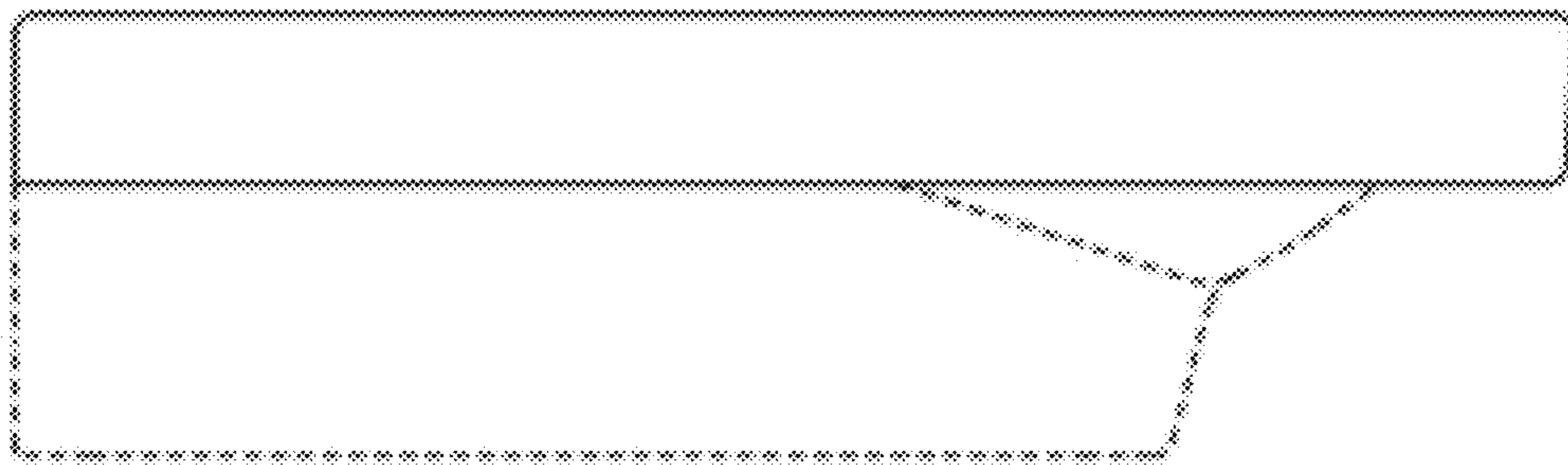


FIG. 7

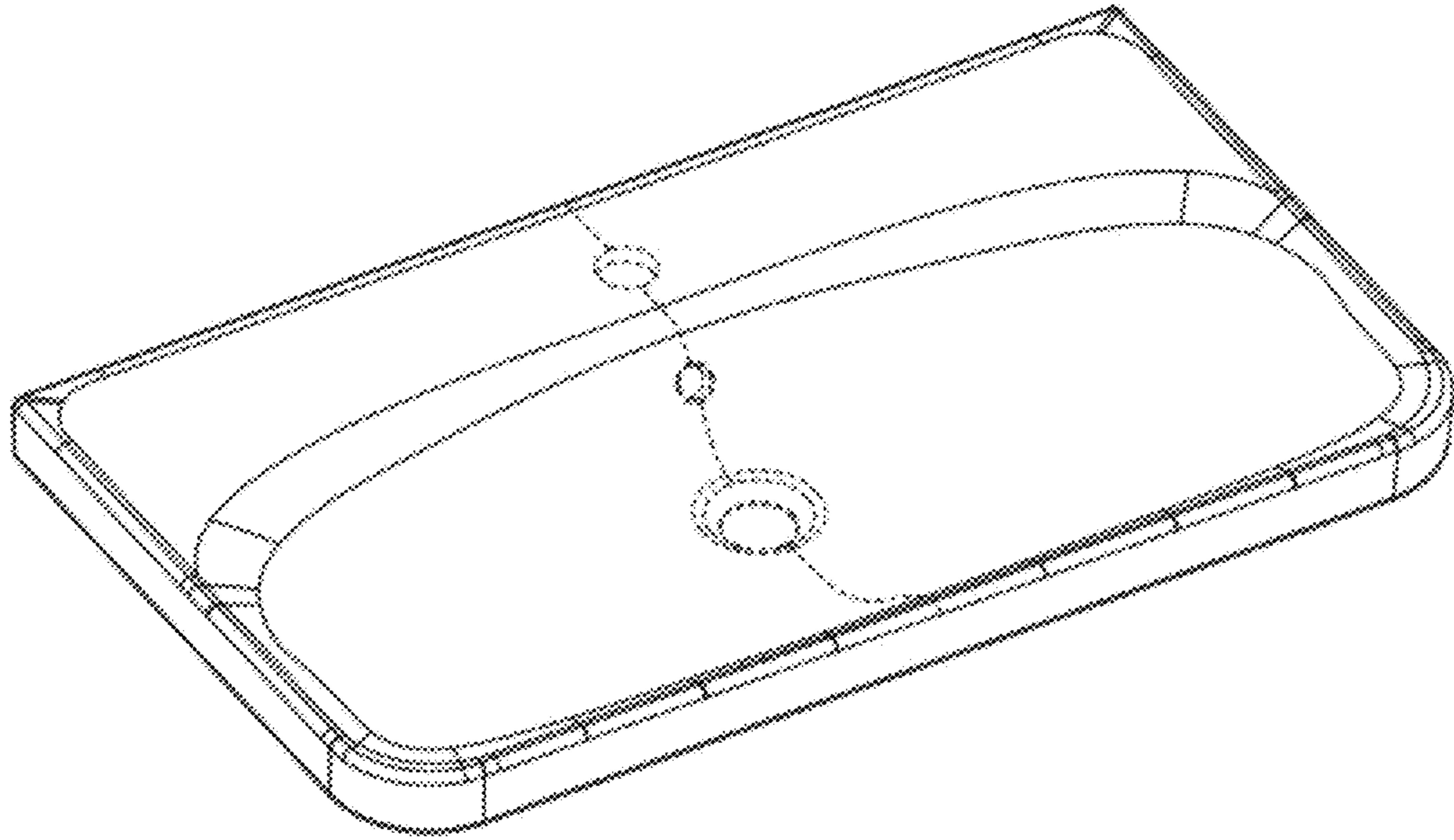


FIG. 8

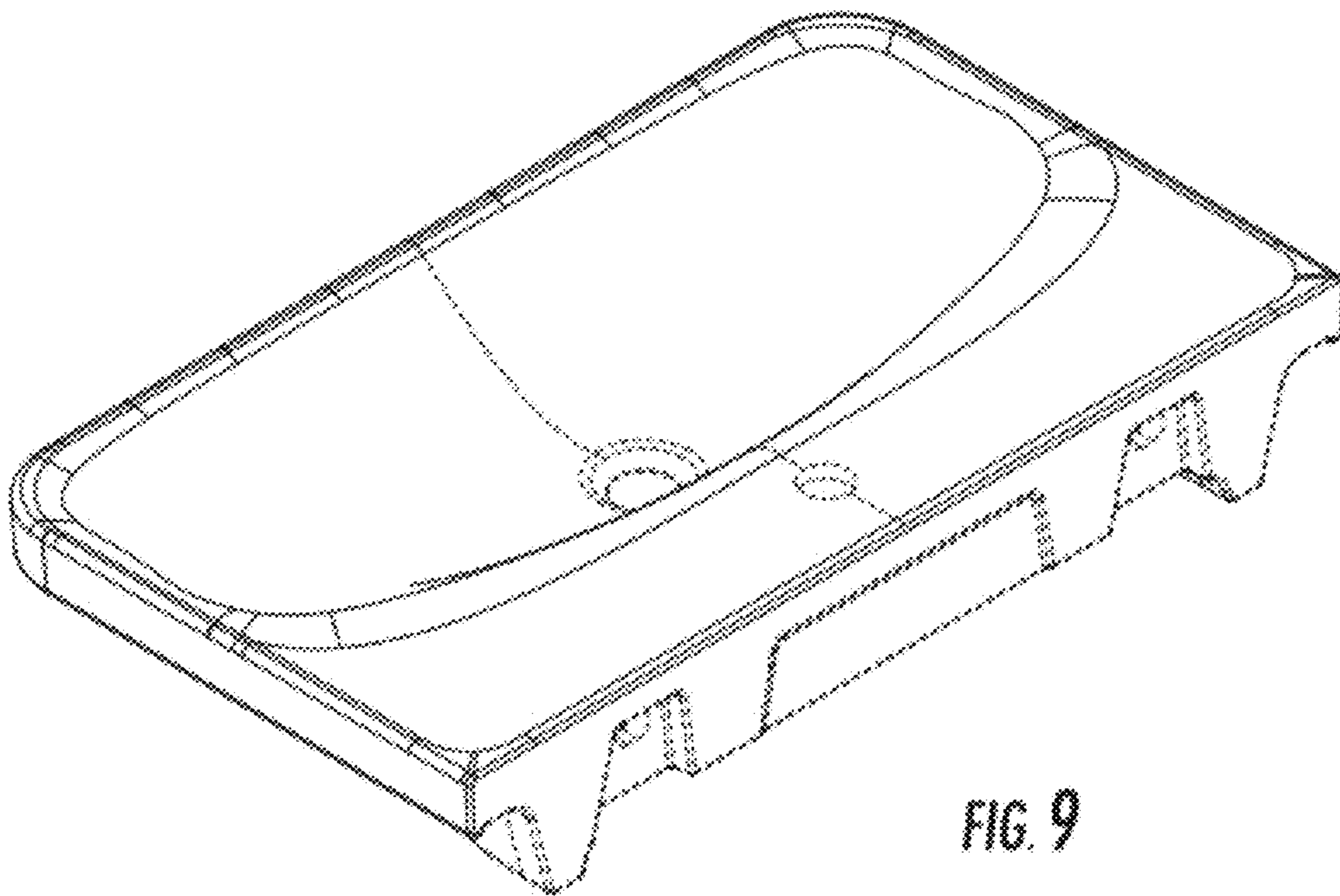


FIG. 9

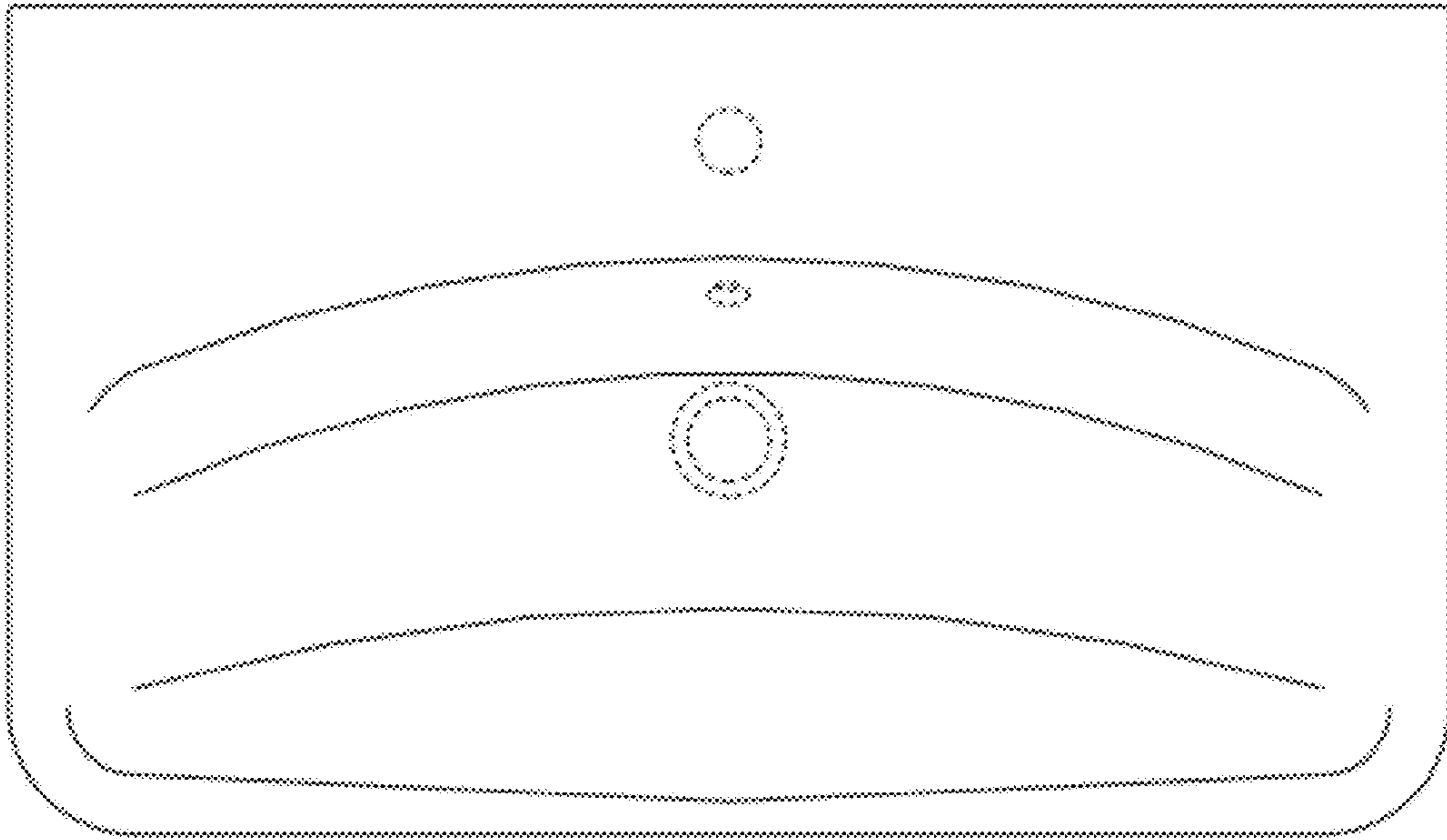


FIG. 10

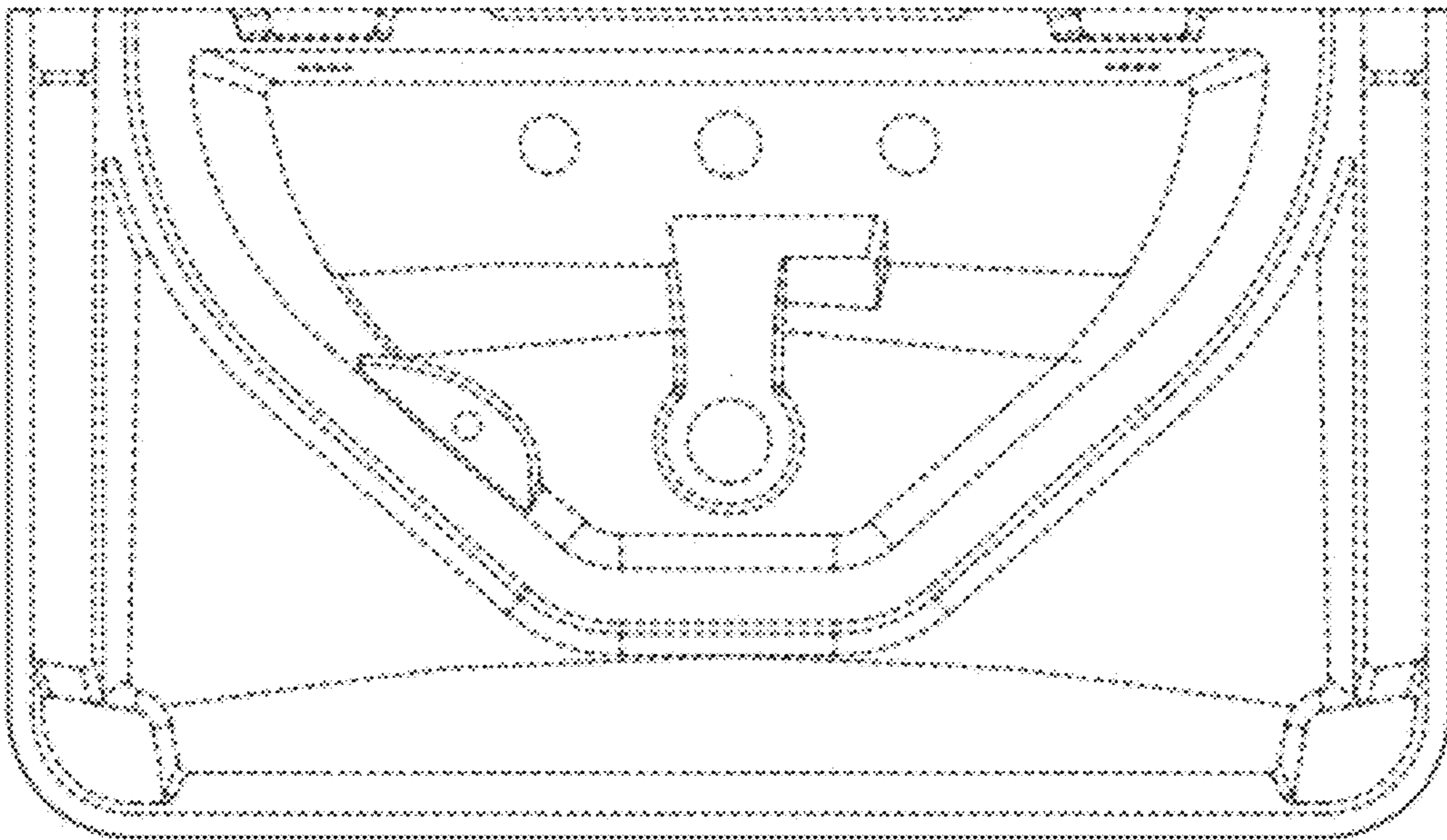


FIG. 11

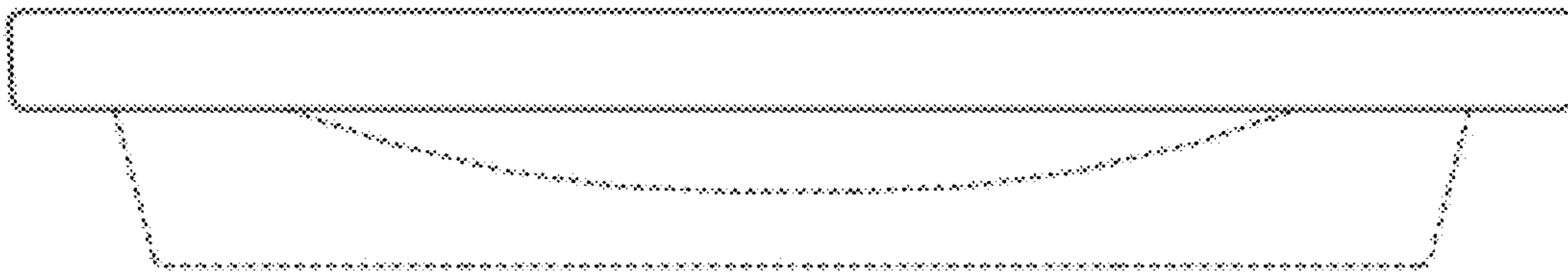


FIG. 12

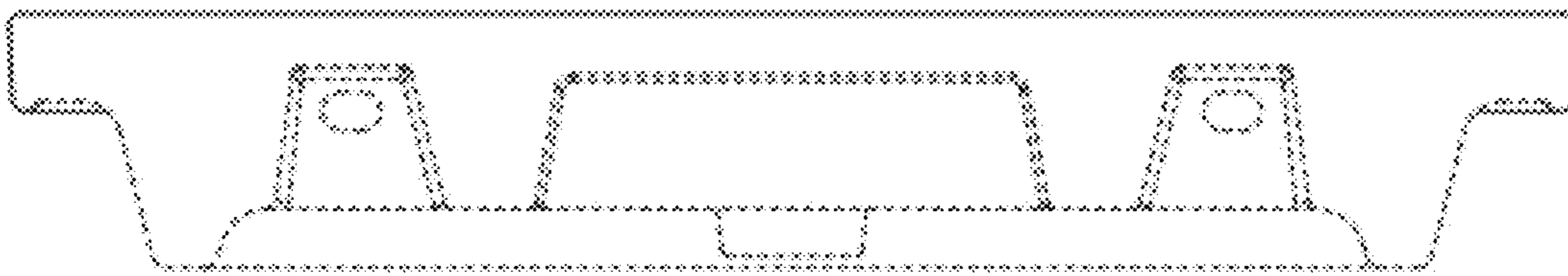


FIG. 13

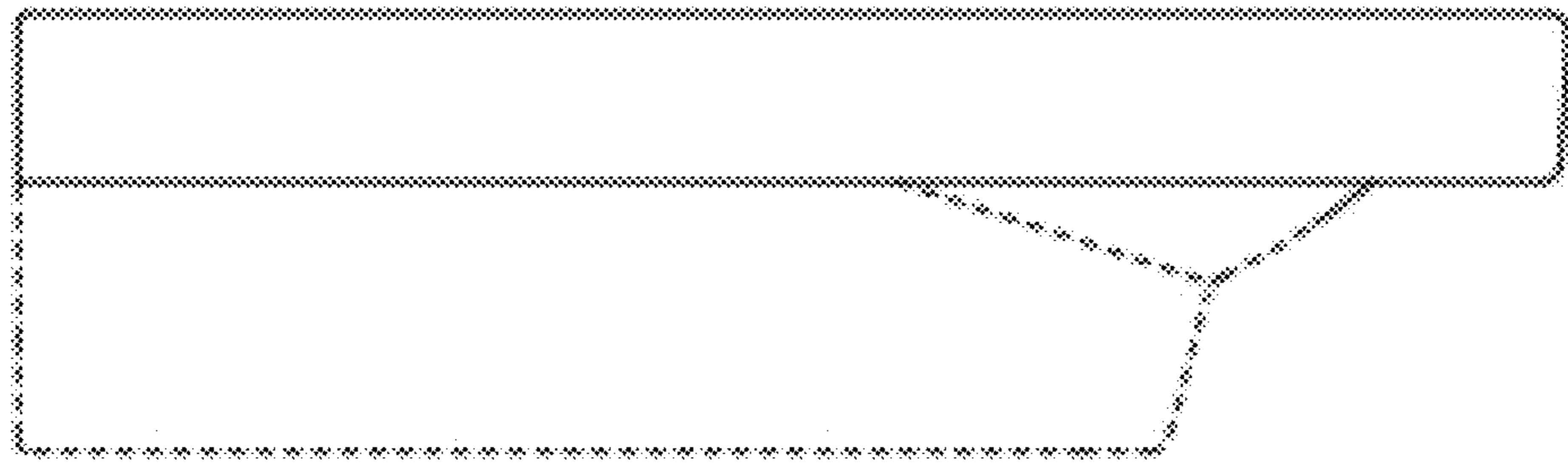


FIG. 14

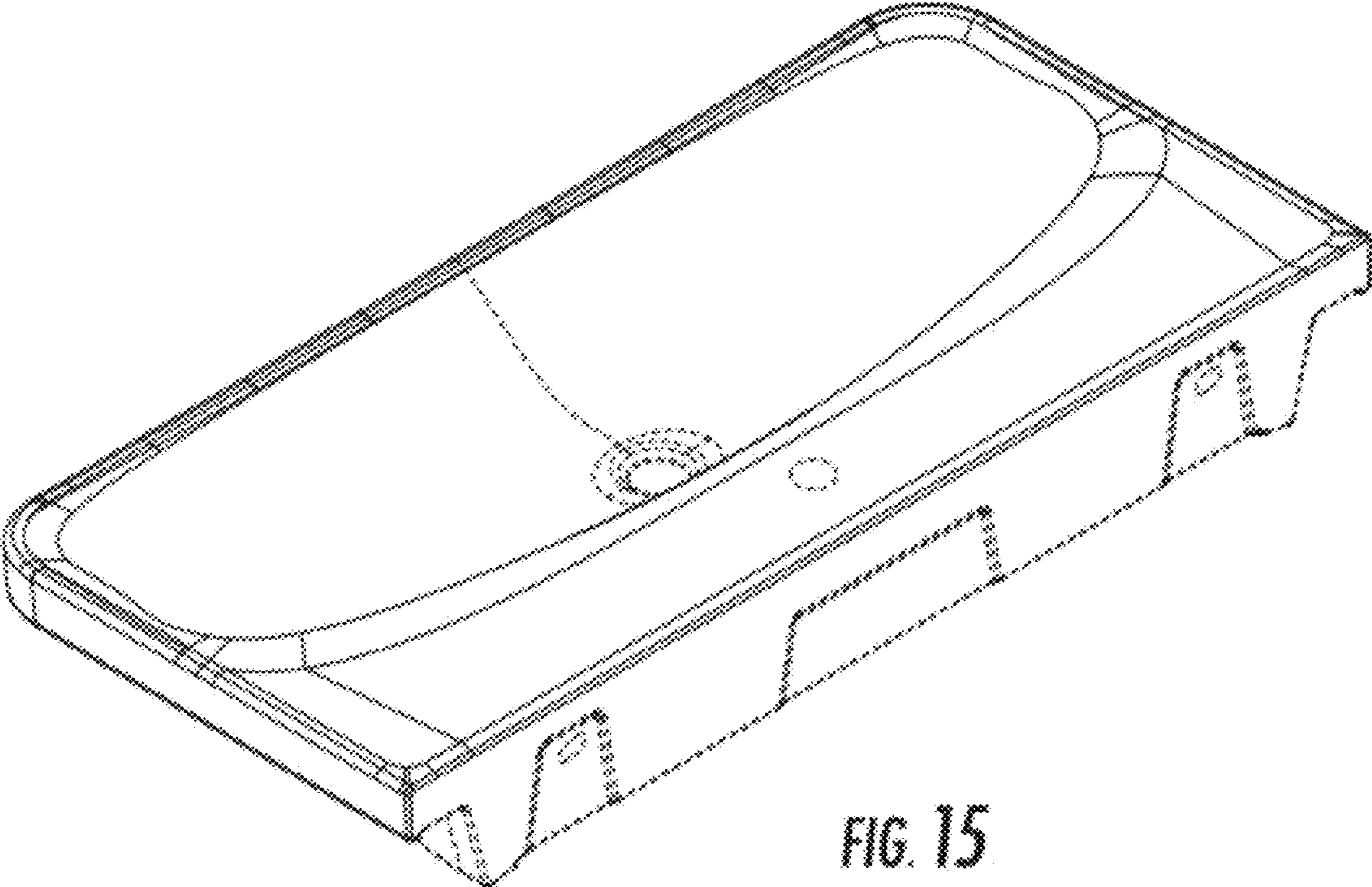


FIG. 15

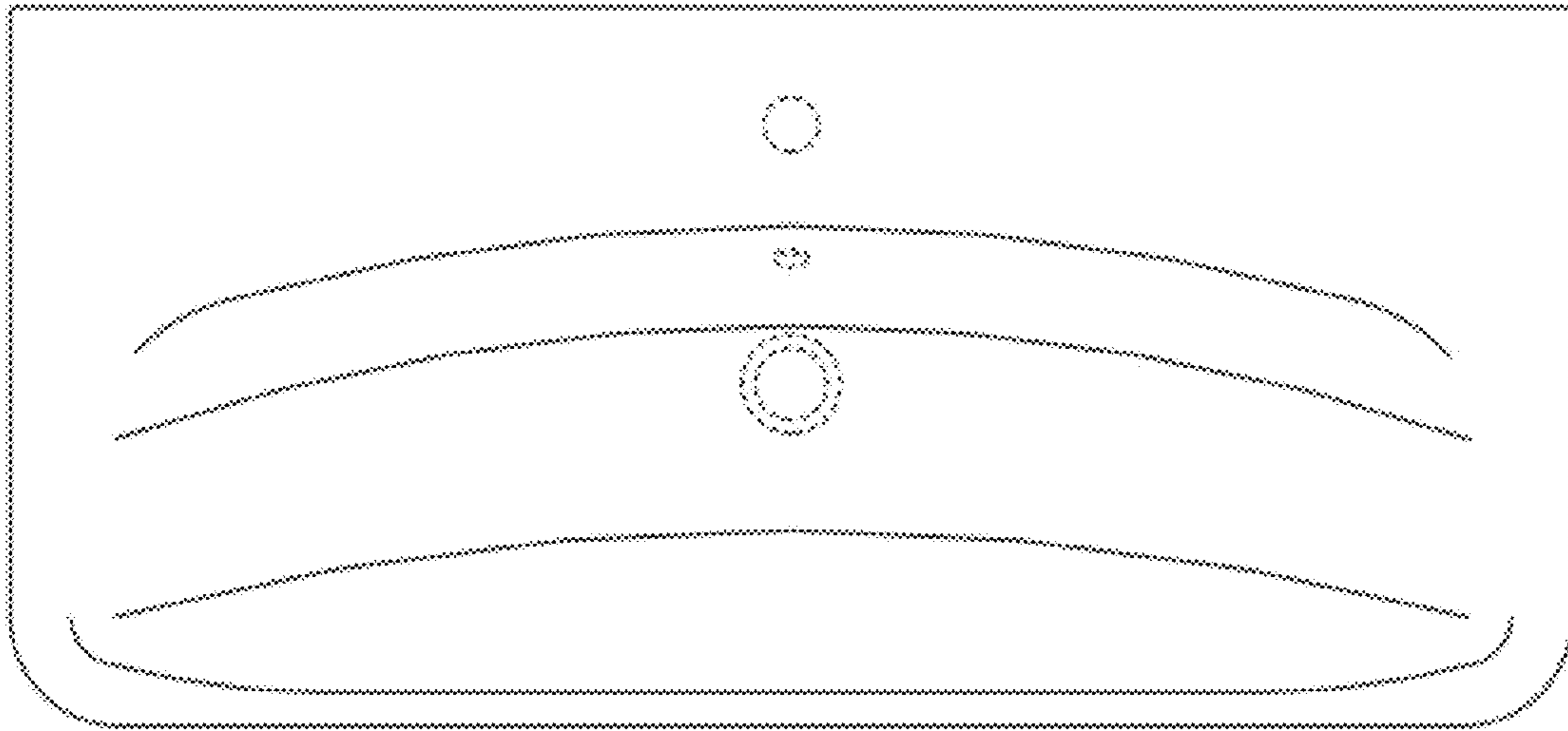


FIG. 16

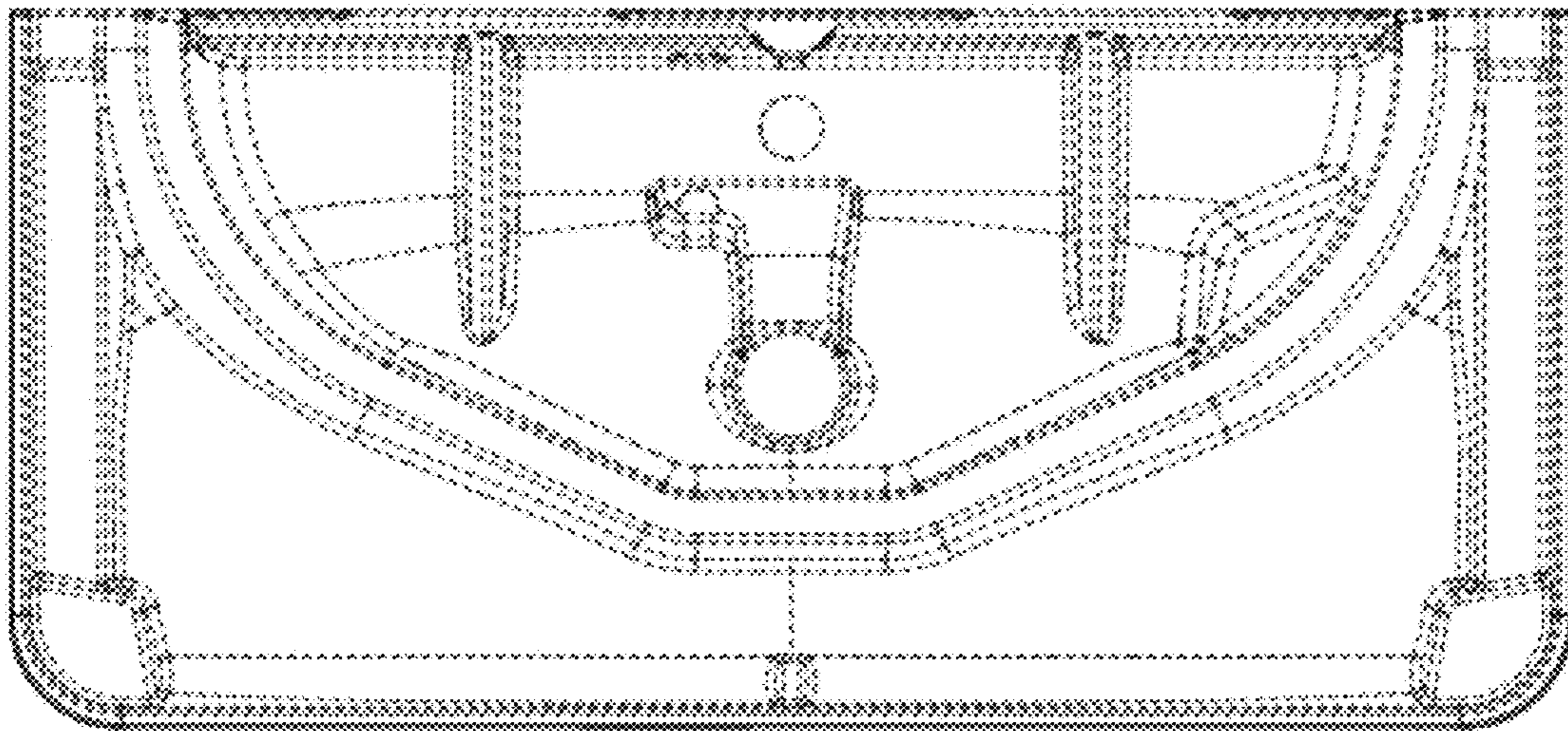


FIG. 17

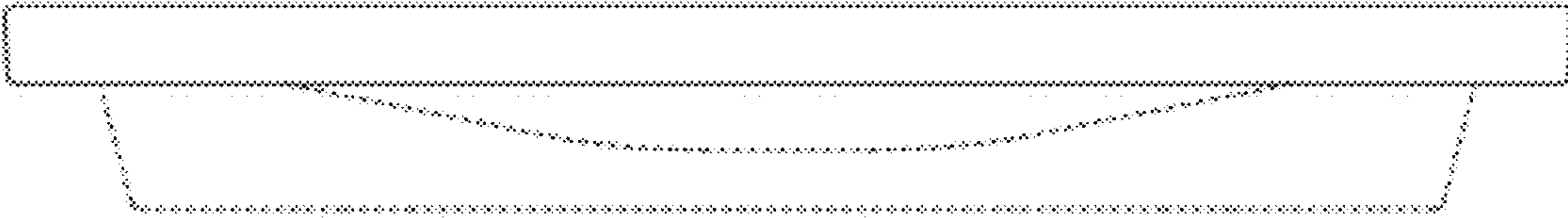


FIG. 18

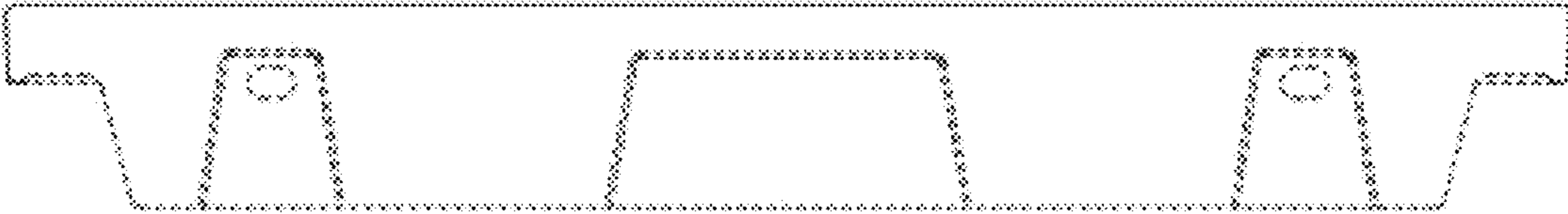


FIG. 19



FIG. 20