



US00D667939S

(12) **United States Design Patent**
de Giulio

(10) **Patent No.:** **US D667,939 S**

(45) **Date of Patent:** **** Sep. 25, 2012**

(54) **SINK**

(75) Inventor: **Michael R. de Giulio**, Kenilworth, IL
(US)

(73) Assignee: **Kohler Co.**, Kohler, WI (US)

(**) Term: **14 Years**

(21) Appl. No.: **29/414,660**

(22) Filed: **Mar. 1, 2012**

Related U.S. Application Data

(62) Division of application No. 29/390,258, filed on Apr. 21, 2011, now Pat. No. Des. 657,029.

(51) **LOC (9) Cl.** **23-02**

(52) **U.S. Cl.** **D23/284**

(58) **Field of Classification Search** D23/284,
D23/290–292, 293.1, 303, 308; 4/619, 639–640
See application file for complete search history.

(56) **References Cited**

U.S. PATENT DOCUMENTS

D507,041 S	7/2005	Douglass et al.	
D538,906 S	3/2007	Stein et al.	
D560,773 S	1/2008	Kitzmilller	
D573,701 S *	7/2008	Rachiele D23/284
D588,243 S	3/2009	Aykens	
D588,245 S	3/2009	Kohler, Jr.	
D598,081 S	8/2009	Soulier	
D600,331 S	9/2009	Hanna	
D601,232 S	9/2009	Hanna	

D601,674 S	10/2009	Hanna
D601,679 S	10/2009	Soulier
D601,680 S	10/2009	Soulier
D609,314 S	2/2010	Soulier
D609,315 S	2/2010	Soulier
D611,128 S	3/2010	Soulier
D622,826 S	8/2010	Helmer
D624,632 S	9/2010	Booth

* cited by examiner

Primary Examiner — Robert Delehanty

(74) *Attorney, Agent, or Firm* — Foley & Lardner LLP

(57) **CLAIM**

We claim the ornamental design for a sink, as shown and described.

DESCRIPTION

FIG. 1 is a top perspective view of an embodiment of the claimed design;

FIG. 2 is a top plan view of the claimed design of FIG. 1;

FIG. 3 is a bottom plan view of the claimed design of FIG. 1;

FIG. 4 is a left-side view of the claimed design of FIG. 1;

FIG. 5 is a right-side view of the claimed design of FIG. 1;

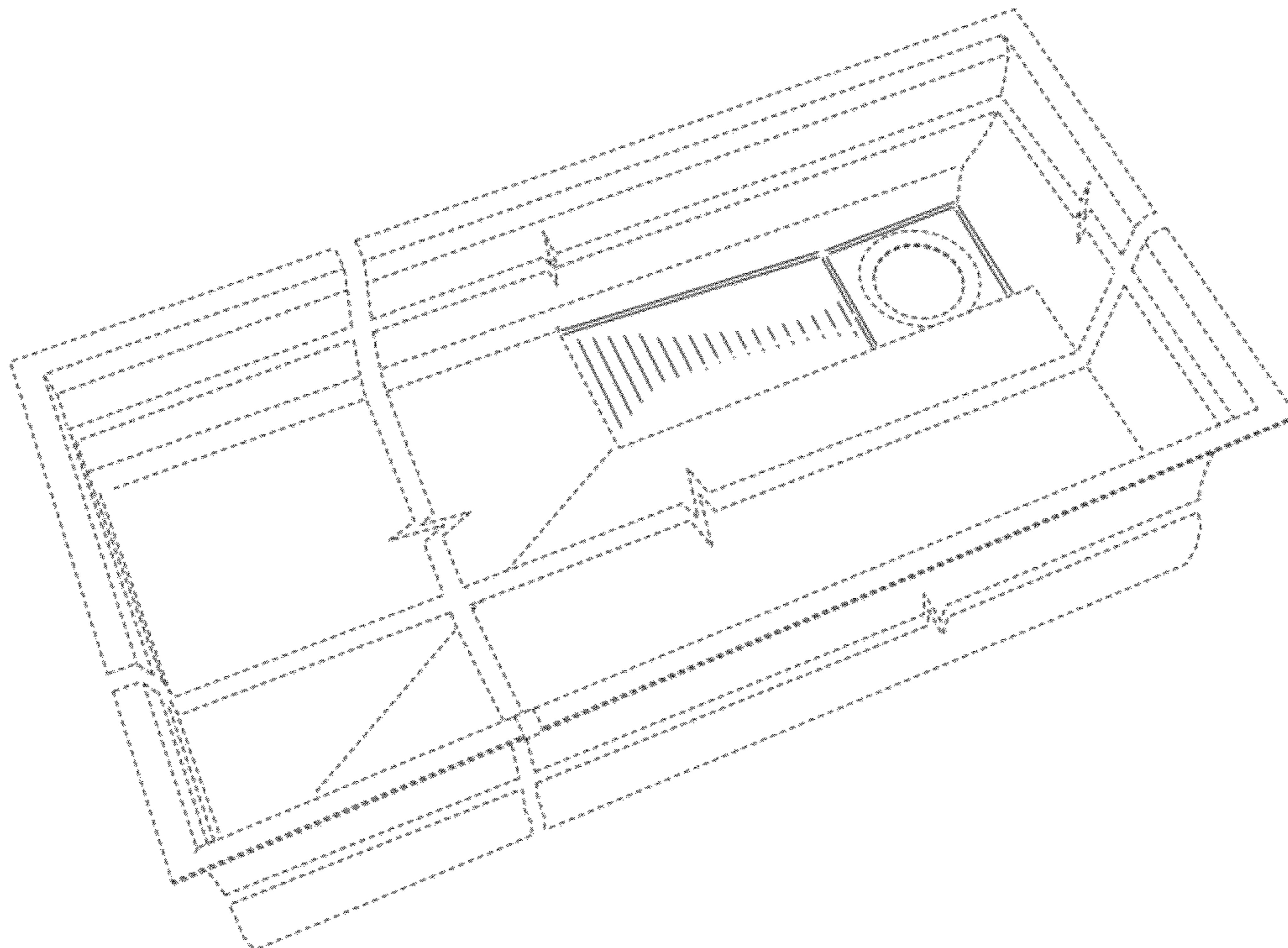
FIG. 6 is a front view of the claimed design of FIG. 1;

FIG. 7 is a rear view of the claimed design of FIG. 1; and,

FIG. 8 is a cross-sectional view of FIG. 2.

The ornamental design which is claimed is shown in solid lines in the drawings. The broken lines in the drawings are for illustrative purposes only and form no part of the claimed design.

1 Claim, 5 Drawing Sheets



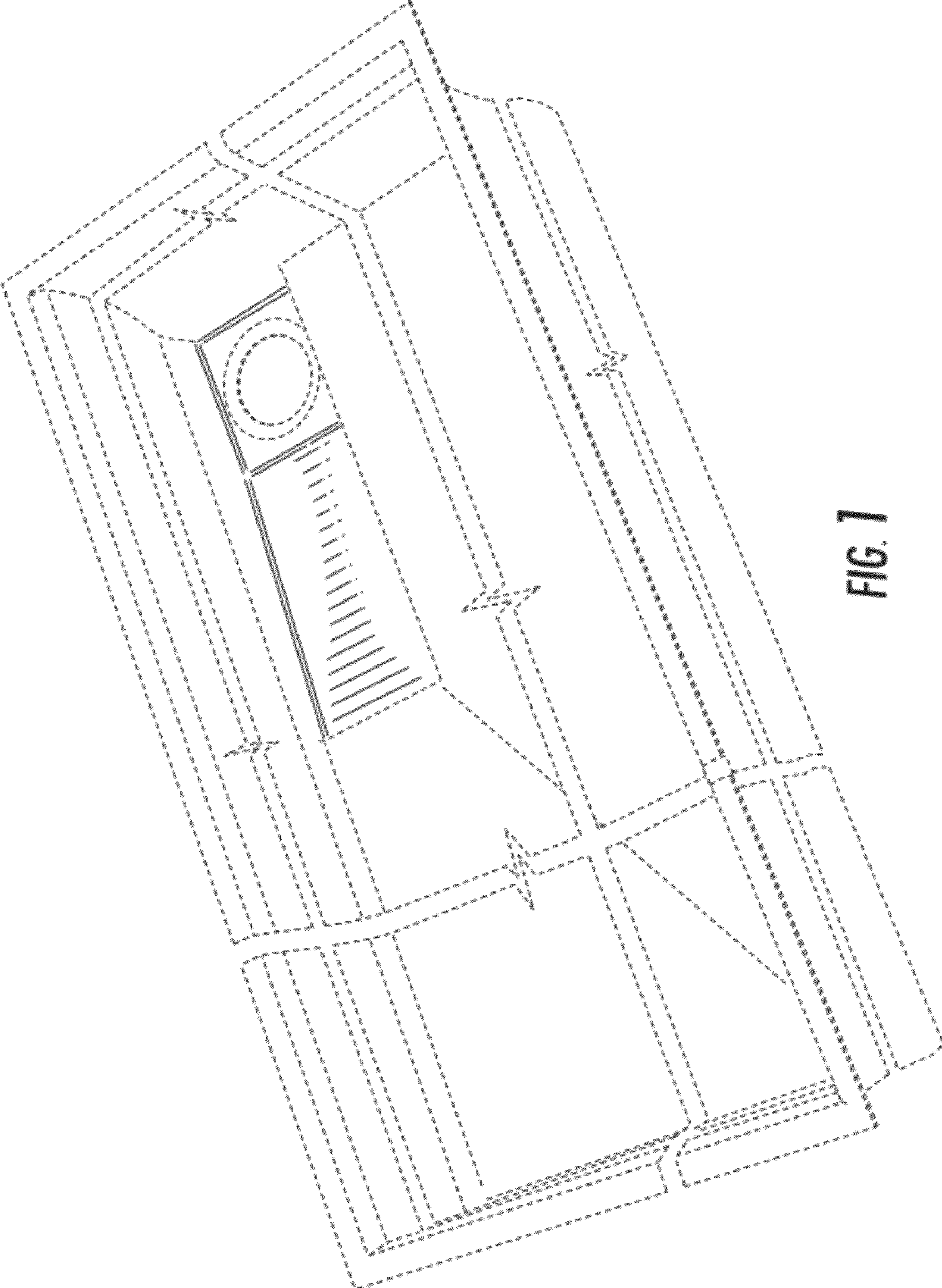


FIG. 1

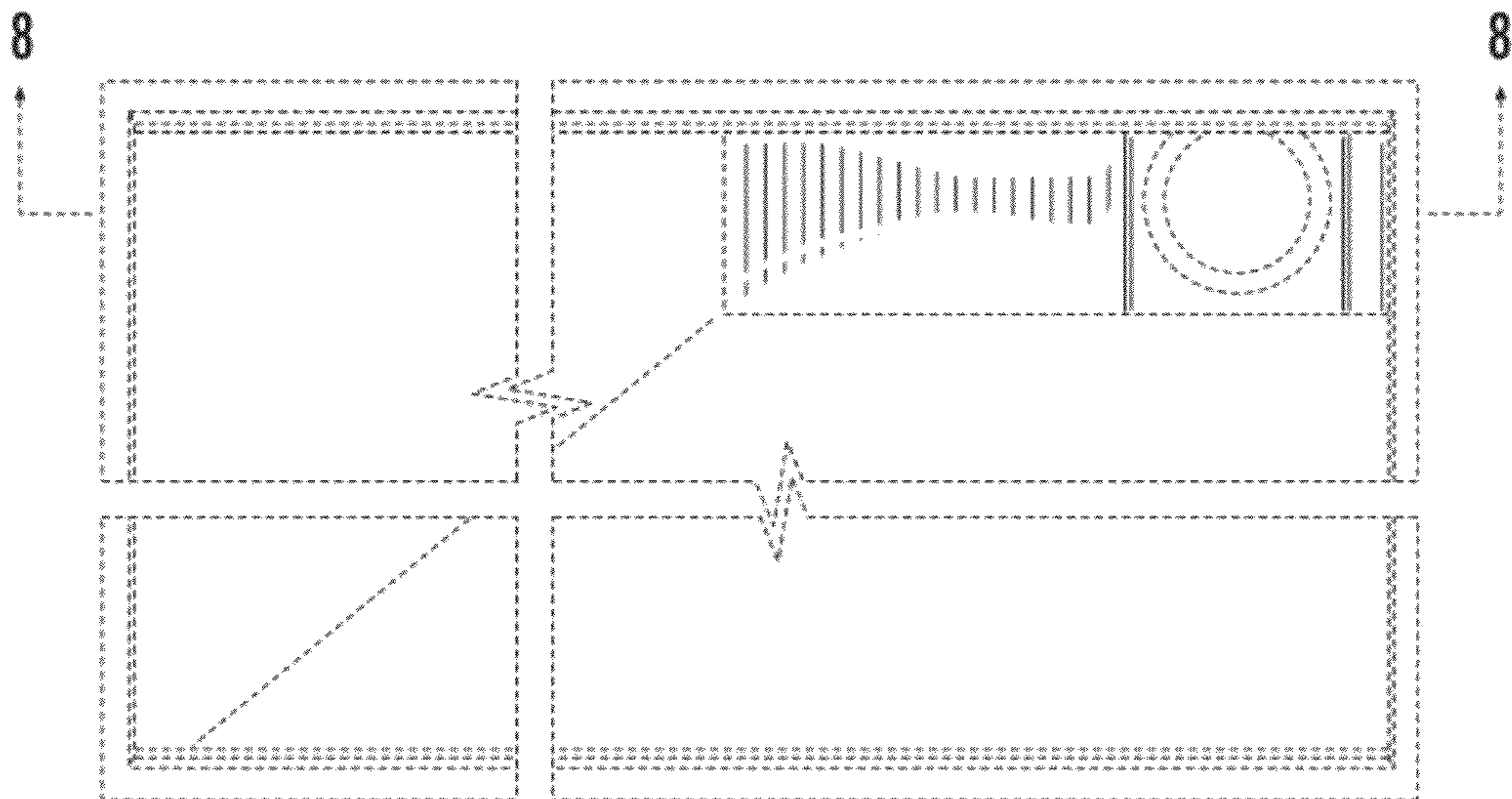


FIG. 2

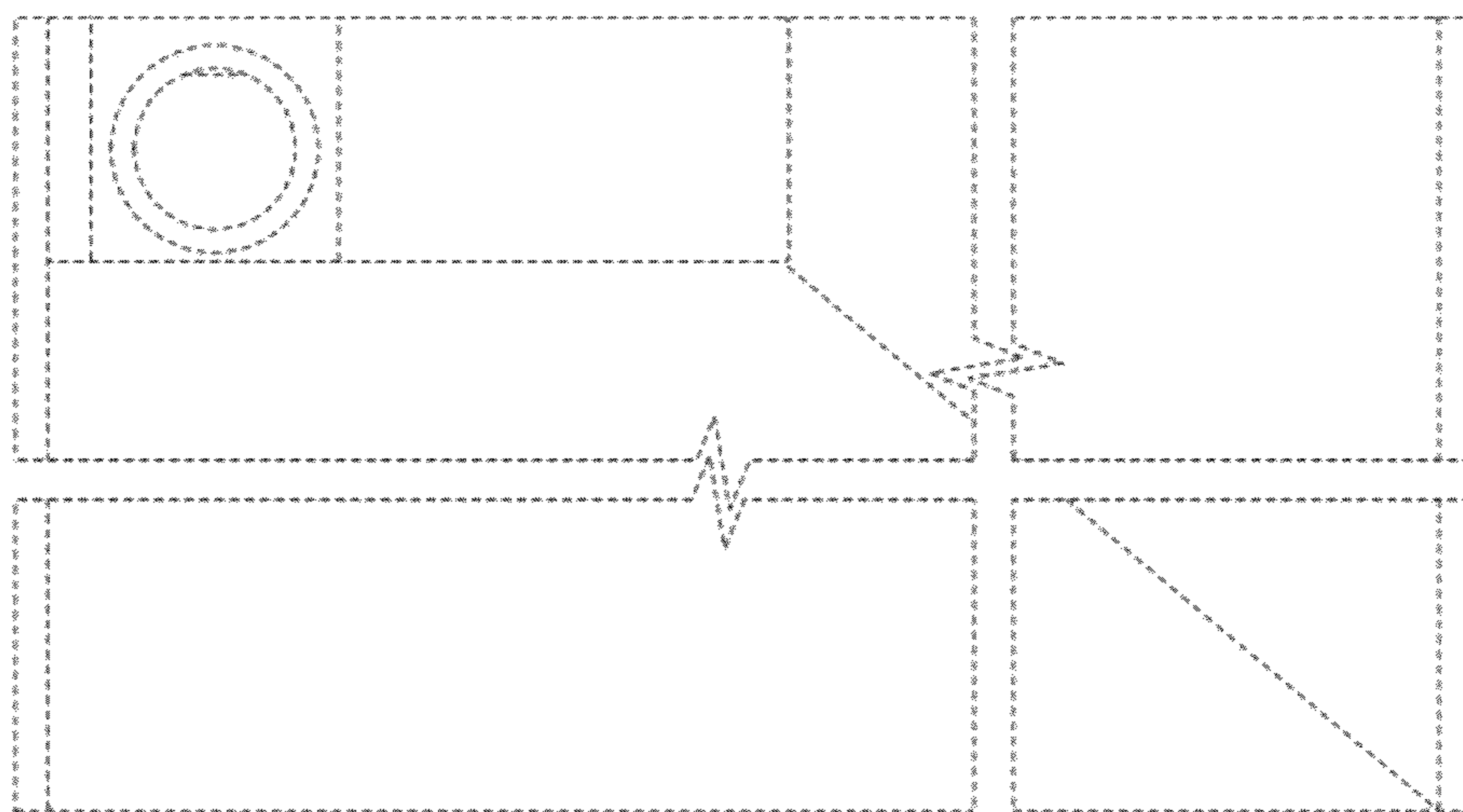


FIG. 3

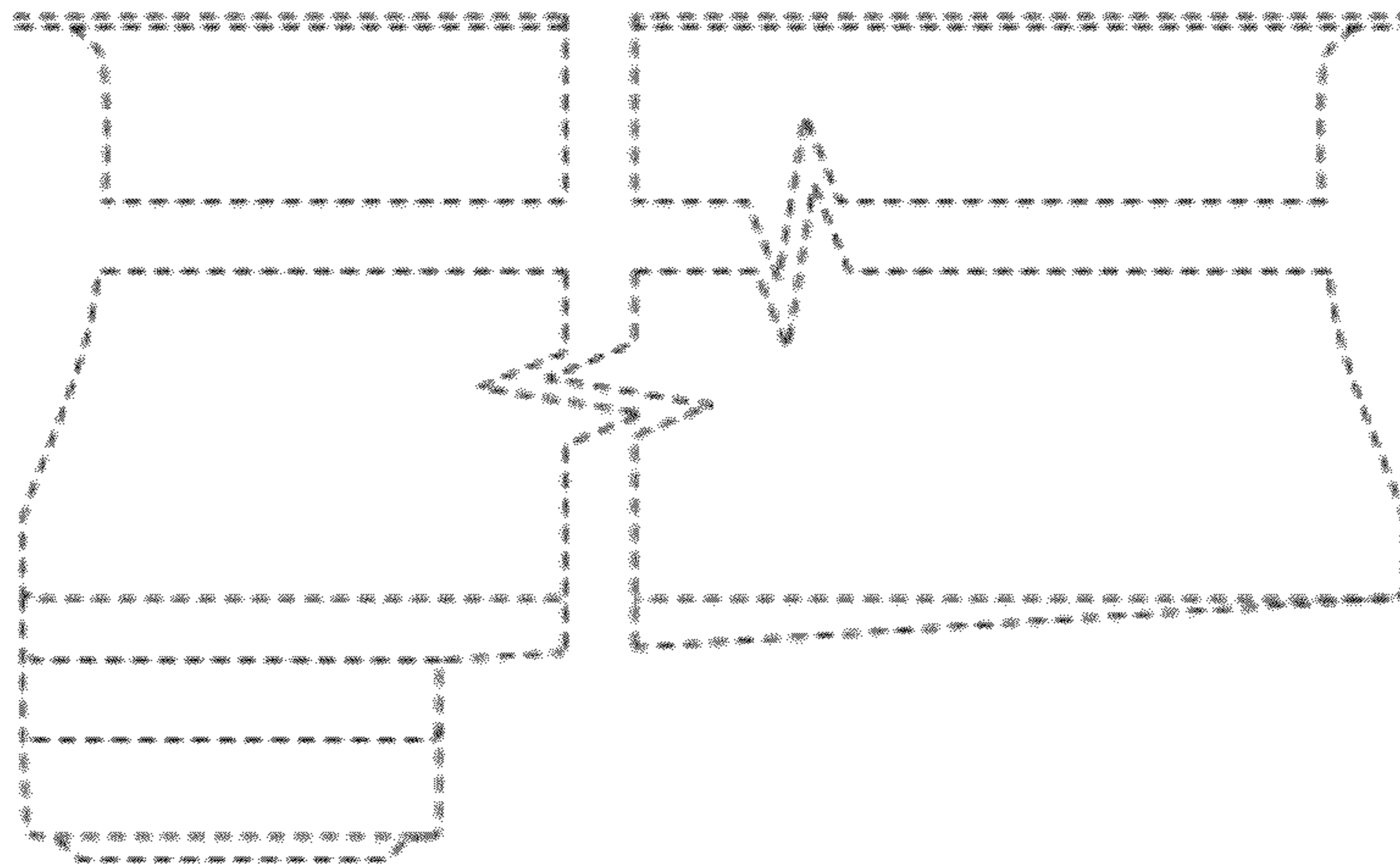


FIG. 4

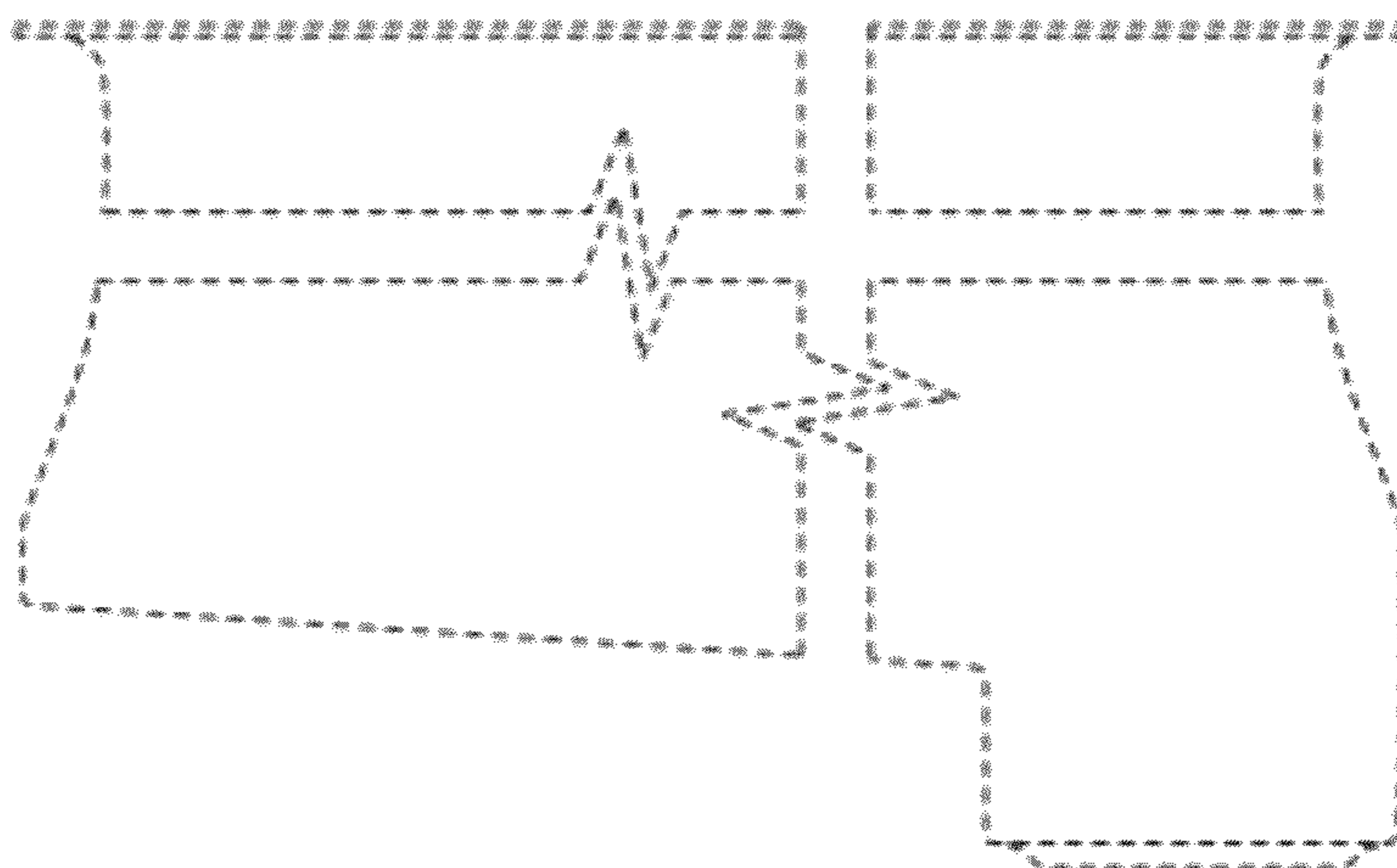


FIG. 5

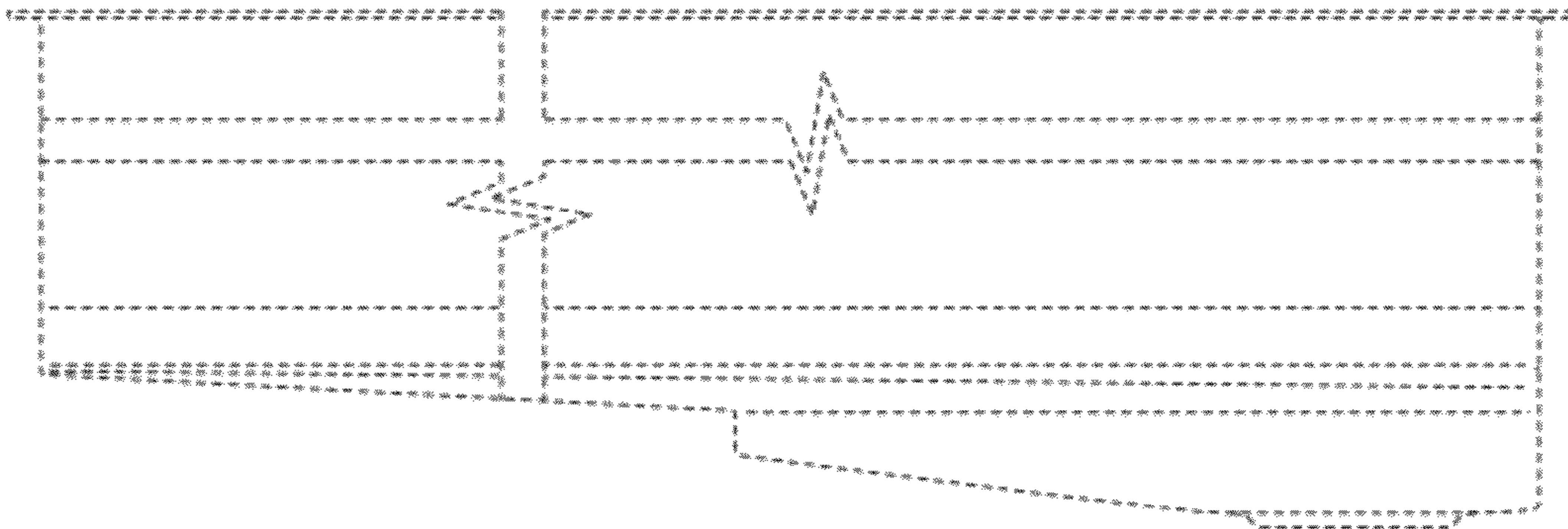


FIG. 6

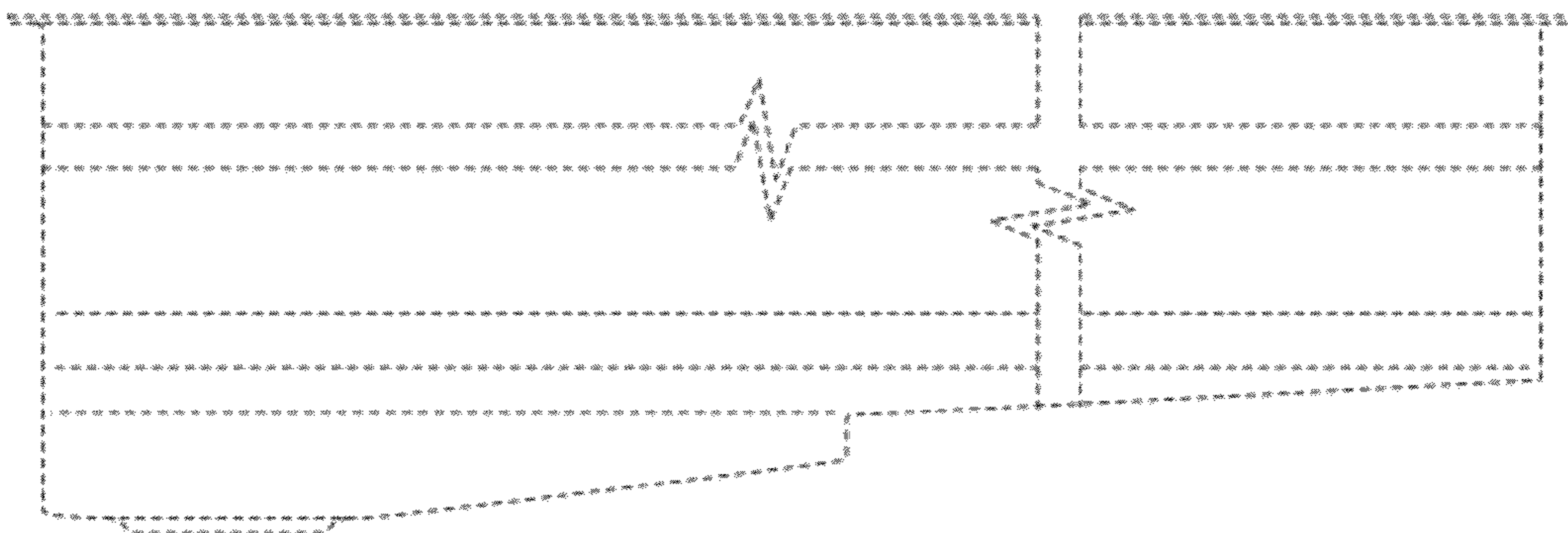


FIG. 7

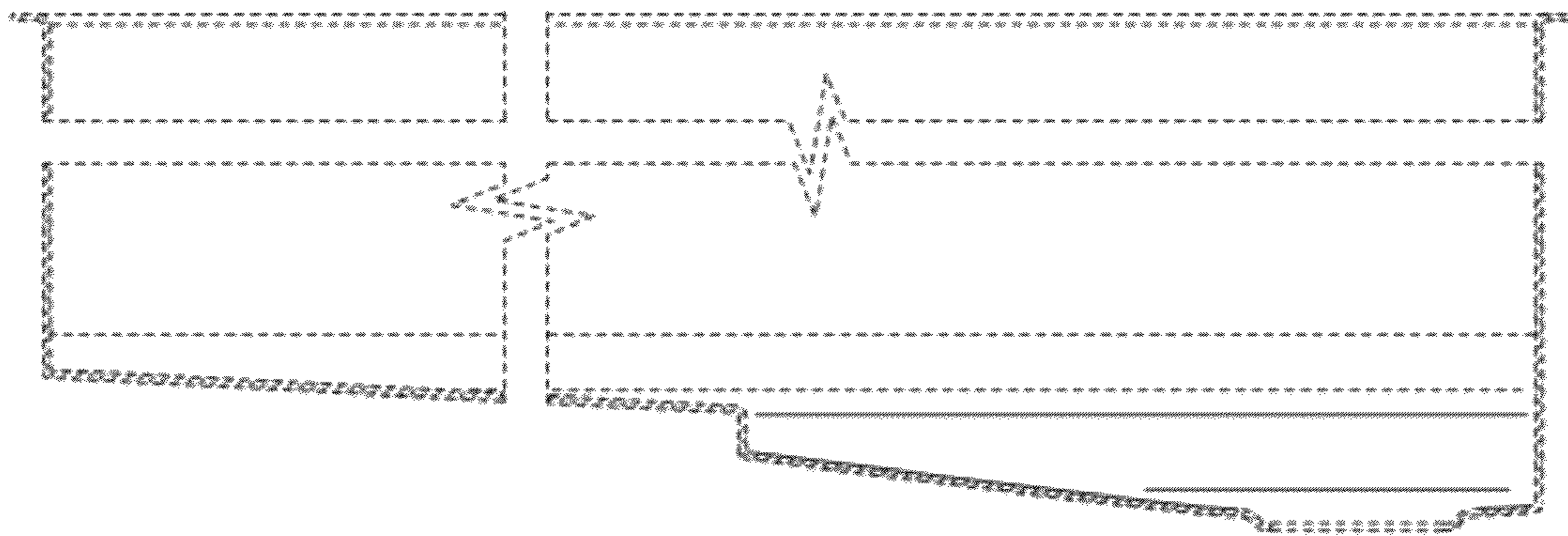


FIG. 8