

US00D667938S

(12) **United States Design Patent**
Cunningham et al.

(10) **Patent No.:** **US D667,938 S**

(45) **Date of Patent:** **** Sep. 25, 2012**

(54) **SHOWER BASE**

(75) Inventors: **Jeffrey L. Cunningham**, Cabot, AR (US); **Remo C. Jacuzzi**, Little Rock, AR (US)

(73) Assignee: **Jason International, Inc.**, North Little Rock, AR (US)

(**) Term: **14 Years**

(21) Appl. No.: **29/416,222**

(22) Filed: **Mar. 20, 2012**

(51) **LOC (9) Cl.** **23-02**

(52) **U.S. Cl.** **D23/283**

(58) **Field of Classification Search** D23/271,
D23/275, 283, 303-305; 4/663, 552, 596,
4/612-614, 900, 611, 583

See application file for complete search history.

(56) **References Cited**

U.S. PATENT DOCUMENTS

3,942,199	A *	3/1976	Kollsman	4/583
D325,623	S *	4/1992	Lenahan	D23/275
D532,089	S *	11/2006	Hisey	D23/283
D546,425	S *	7/2007	Hisey	D23/283
D648,839	S *	11/2011	Garrels	D23/304

OTHER PUBLICATIONS

<http://www.deltafaucet.com/bath/bathing-systems/zerethreshold.html>; date unknown but prior to the filing date of the present application.

<http://mtibaths.com/products/shower-bases/rainbath/MTSB-4832Seated>; date unknown but prior to the filing date of the present application.

<http://www.jacuzzi.com/baths/options/models/bonaire-shower-system>; date unknown but prior to the filing date of the present application.

* cited by examiner

Primary Examiner — Robert Delehanty

(74) *Attorney, Agent, or Firm* — Banner & Witcoff, Ltd.

(57) **CLAIM**

The ornamental design for a shower base, as shown and described.

DESCRIPTION

FIG. 1 is a isometric view of a shower base showing our new design;

FIG. 2 is a front view thereof;

FIG. 3 is a top view thereof;

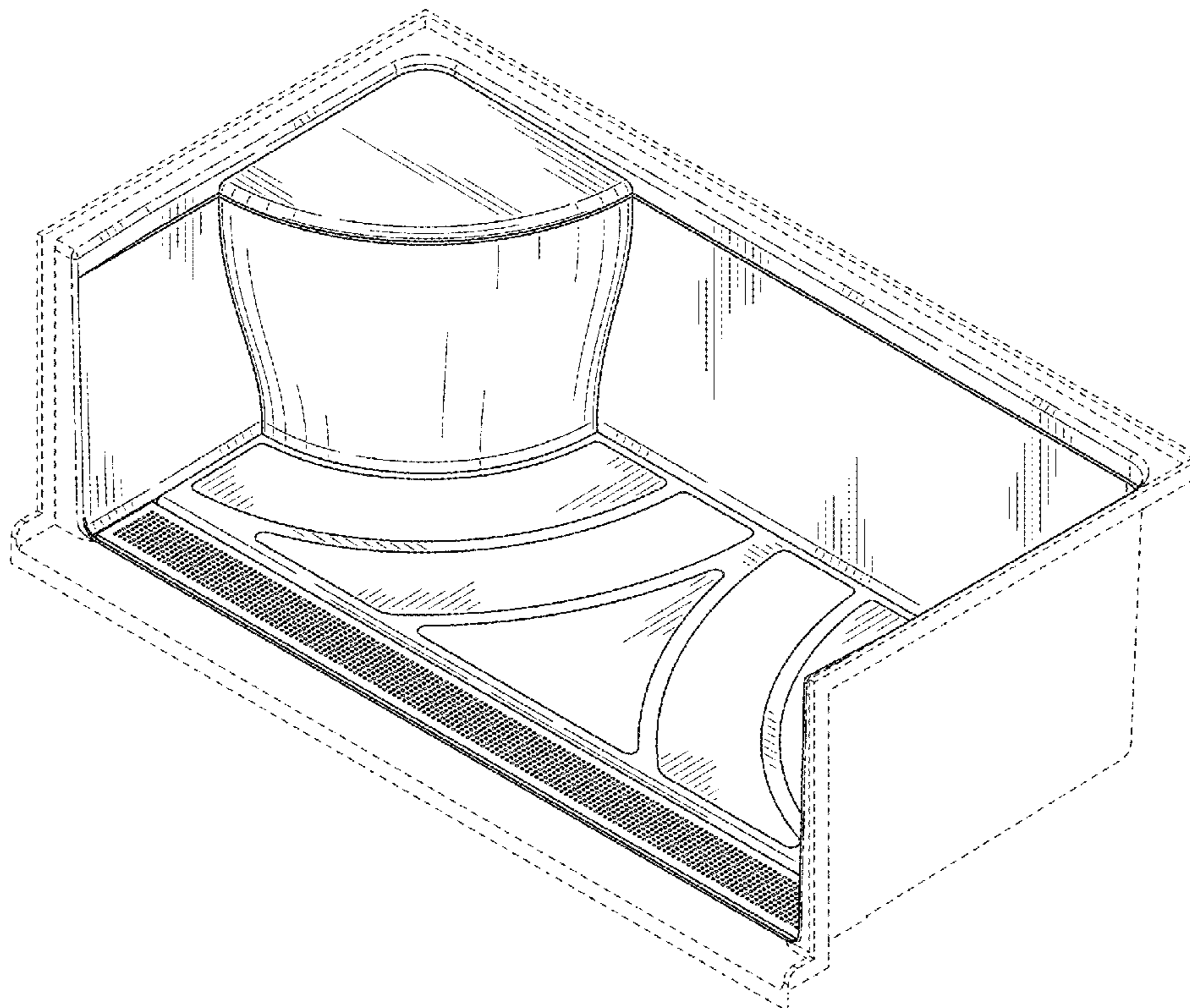
FIG. 4 is a isometric view of an alternate embodiment of the shower base of FIGS. 1-3;

FIG. 5 is a front view thereof; and,

FIG. 6 is a top view thereof.

The broken line showing of the remainder of the shower base is for environmental purposes and forms no part of the claimed design.

1 Claim, 4 Drawing Sheets



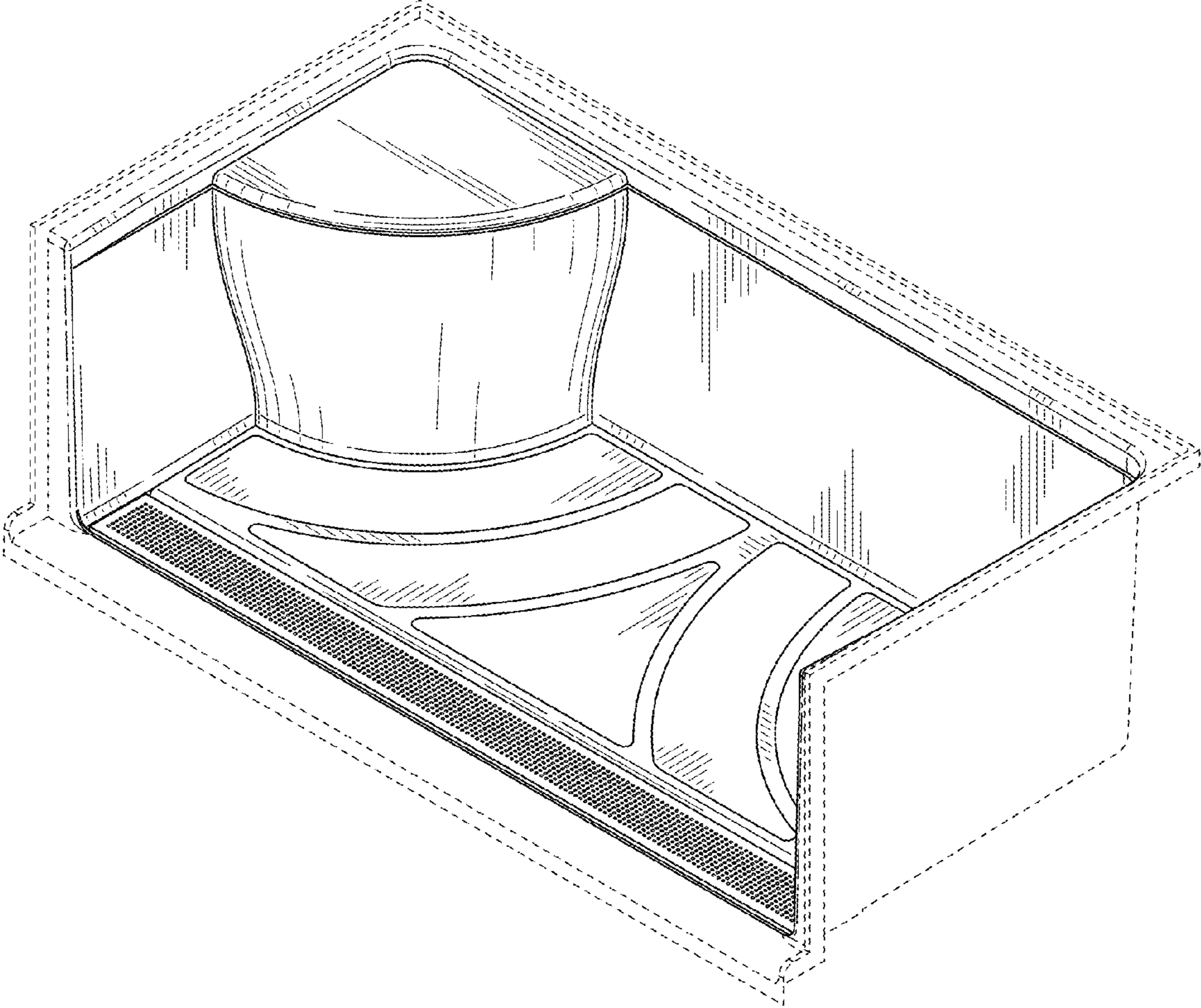


FIG. 1

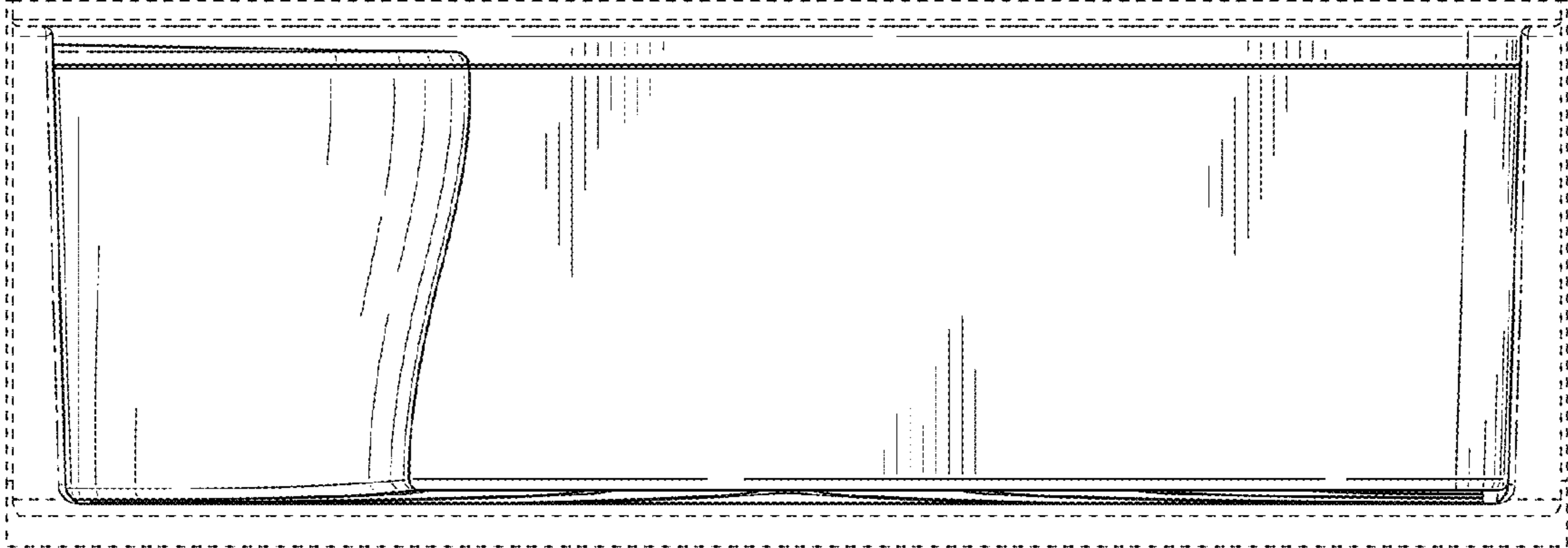


FIG. 2

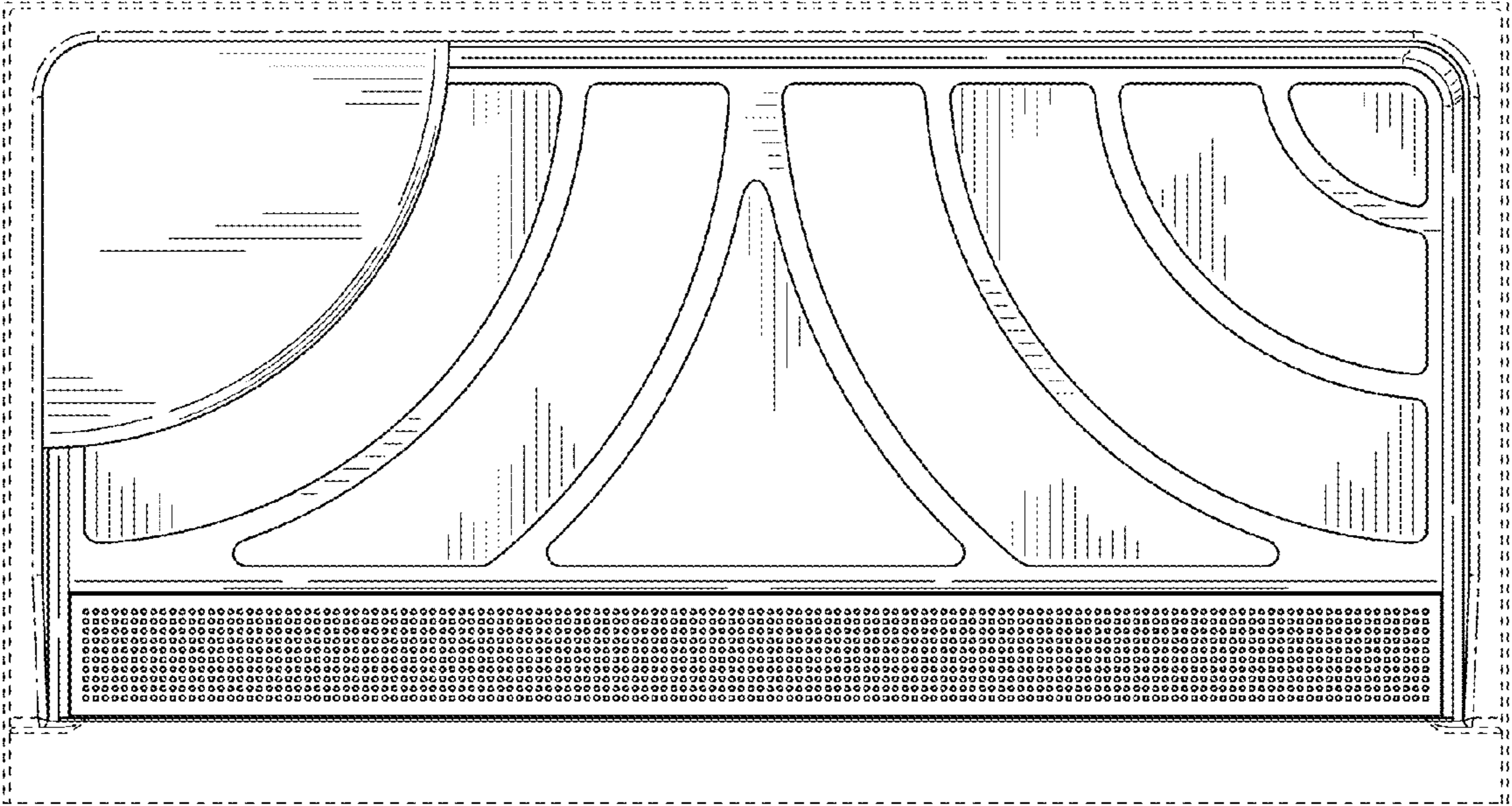


FIG. 3

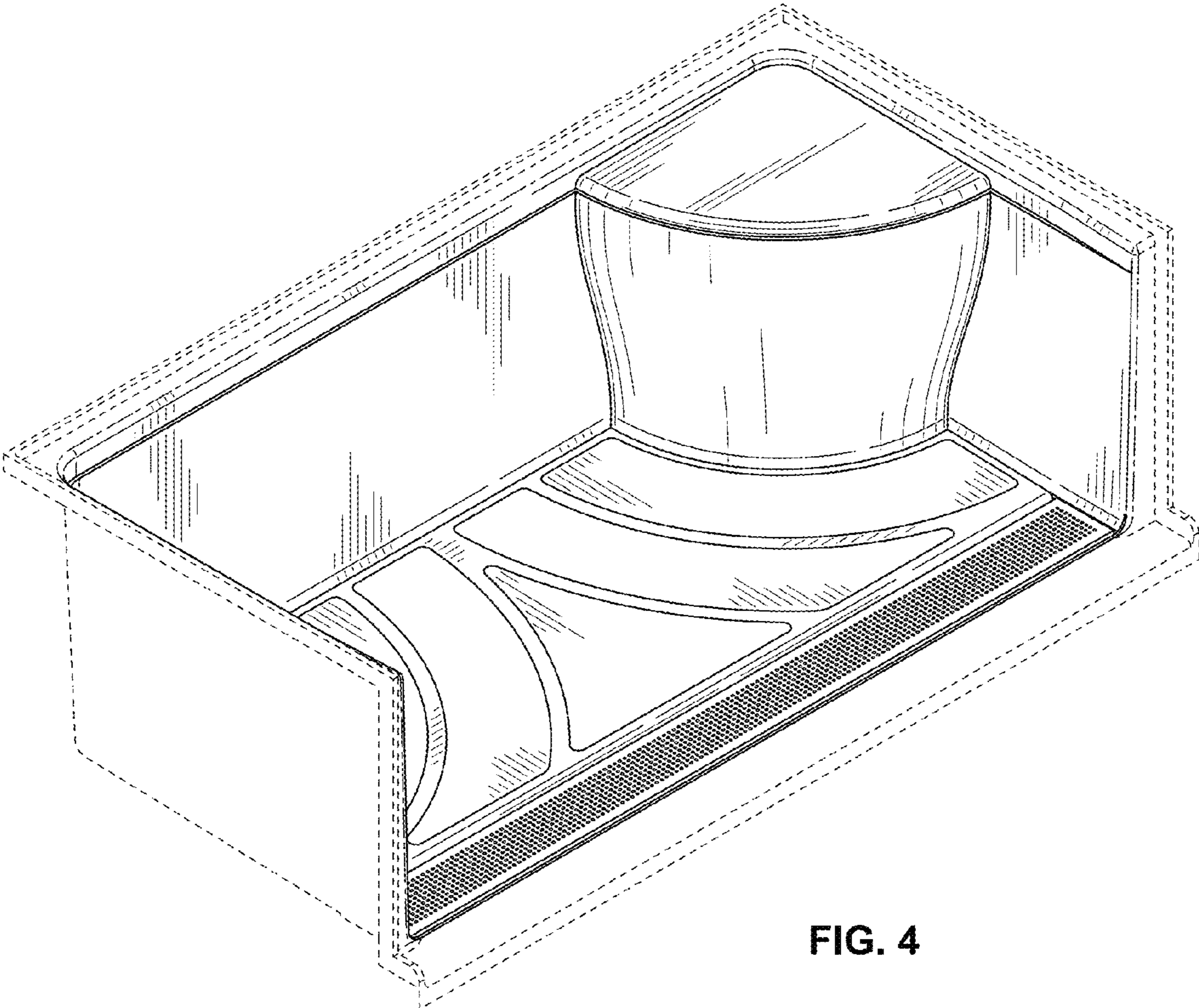


FIG. 4

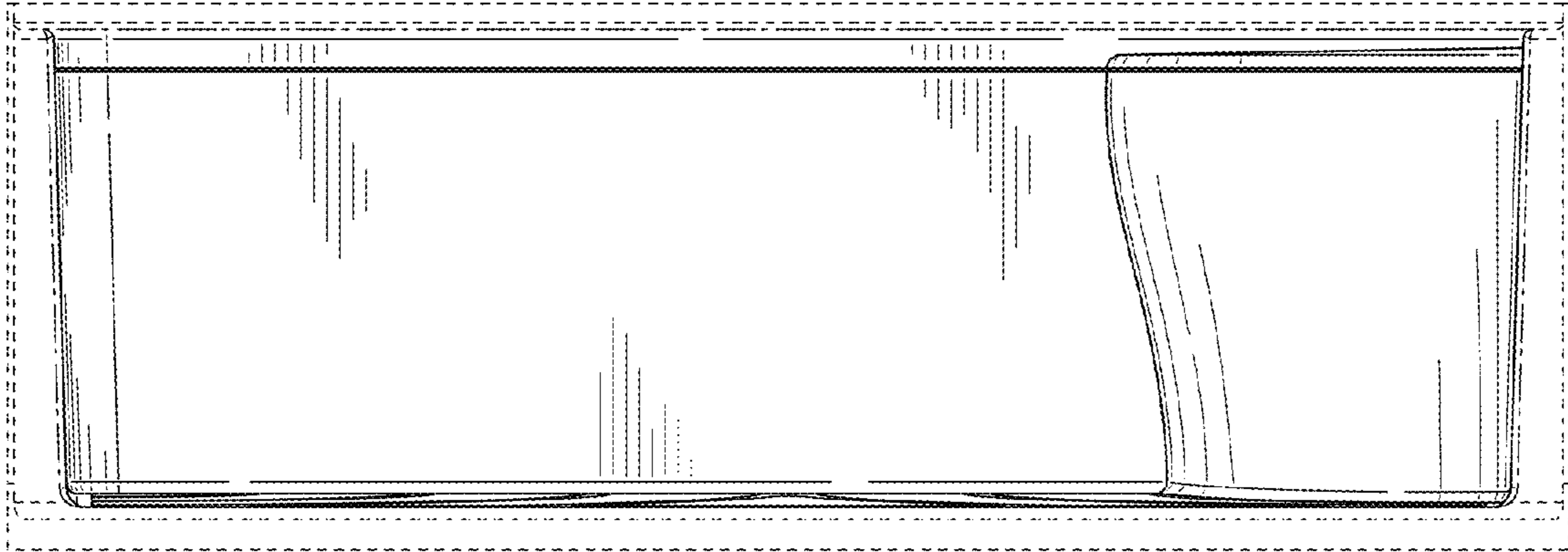


FIG. 5

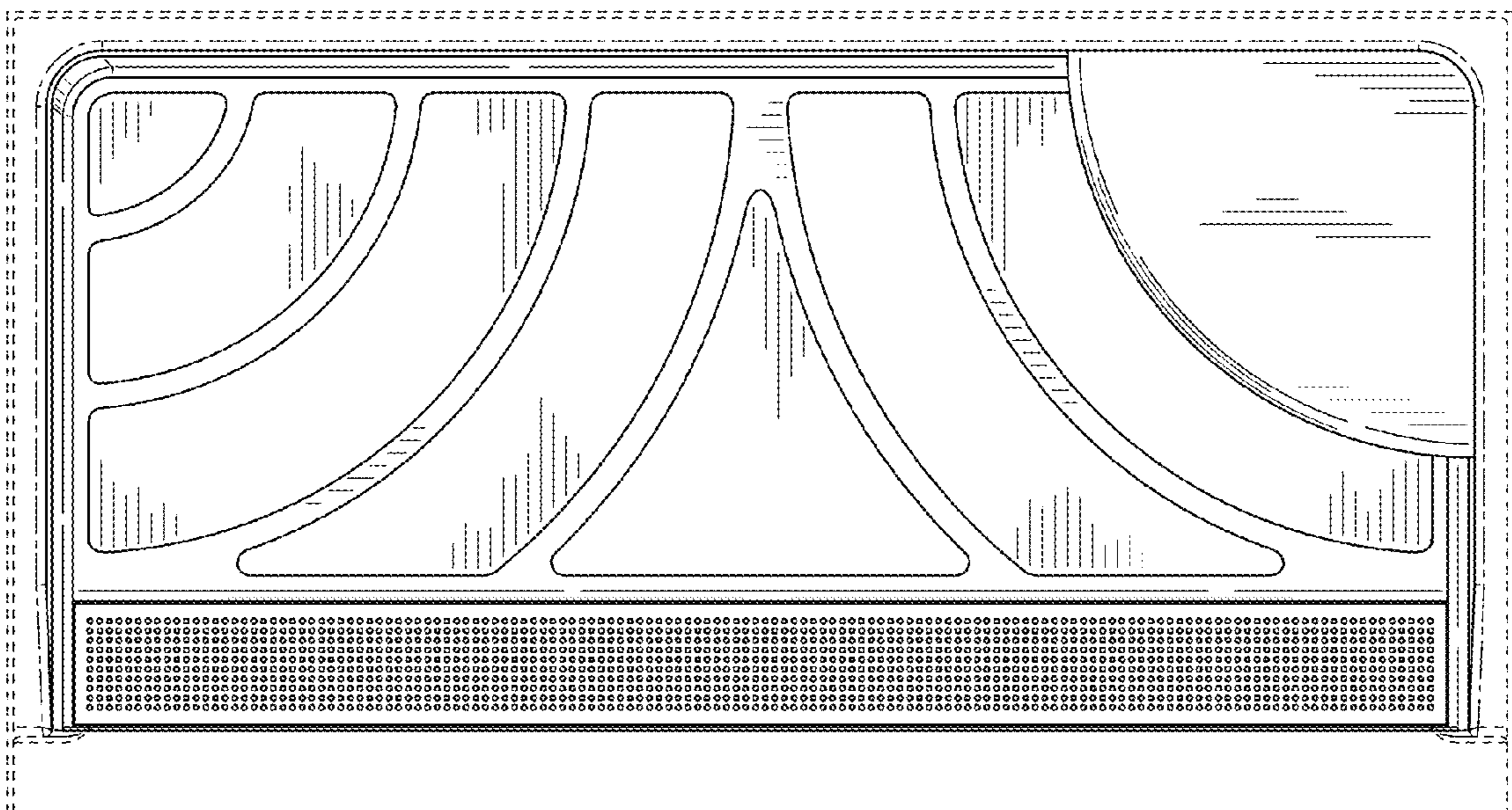


FIG. 6