



US00D667934S

(12) **United States Design Patent**  
**Liao**

(10) **Patent No.:** **US D667,934 S**

(45) **Date of Patent:** **\*\* Sep. 25, 2012**

(54) **FAUCET**

(75) Inventor: **Vincent Liao**, Guangzhou (CN)

(73) Assignee: **Masco Corporation of Indiana**,  
Indianapolis, IN (US)

(\*\*) Term: **14 Years**

(21) Appl. No.: **29/406,714**

(22) Filed: **Nov. 18, 2011**

(51) **LOC (9) Cl.** ..... **23-01**

(52) **U.S. Cl.** ..... **D23/242**

(58) **Field of Classification Search** ..... D23/238,  
D23/241-243, 250, 252, 255, 257; 4/675-678;  
137/801

See application file for complete search history.

(56) **References Cited**

**U.S. PATENT DOCUMENTS**

D578,614 S \* 10/2008 Fritz et al. .... D23/241

D612,016 S \* 3/2010 Williams ..... D23/242

\* cited by examiner

*Primary Examiner* — Robert Delehanty

(74) *Attorney, Agent, or Firm* — Edgar A. Zarins; Nirav D. Parikh; Lora J. Graentzdoerffer

(57) **CLAIM**

The ornamental design for a faucet, as shown and described.

**DESCRIPTION**

FIG. 1 is a perspective view of a faucet showing my new design;

FIG. 2 is a top plan view thereof;

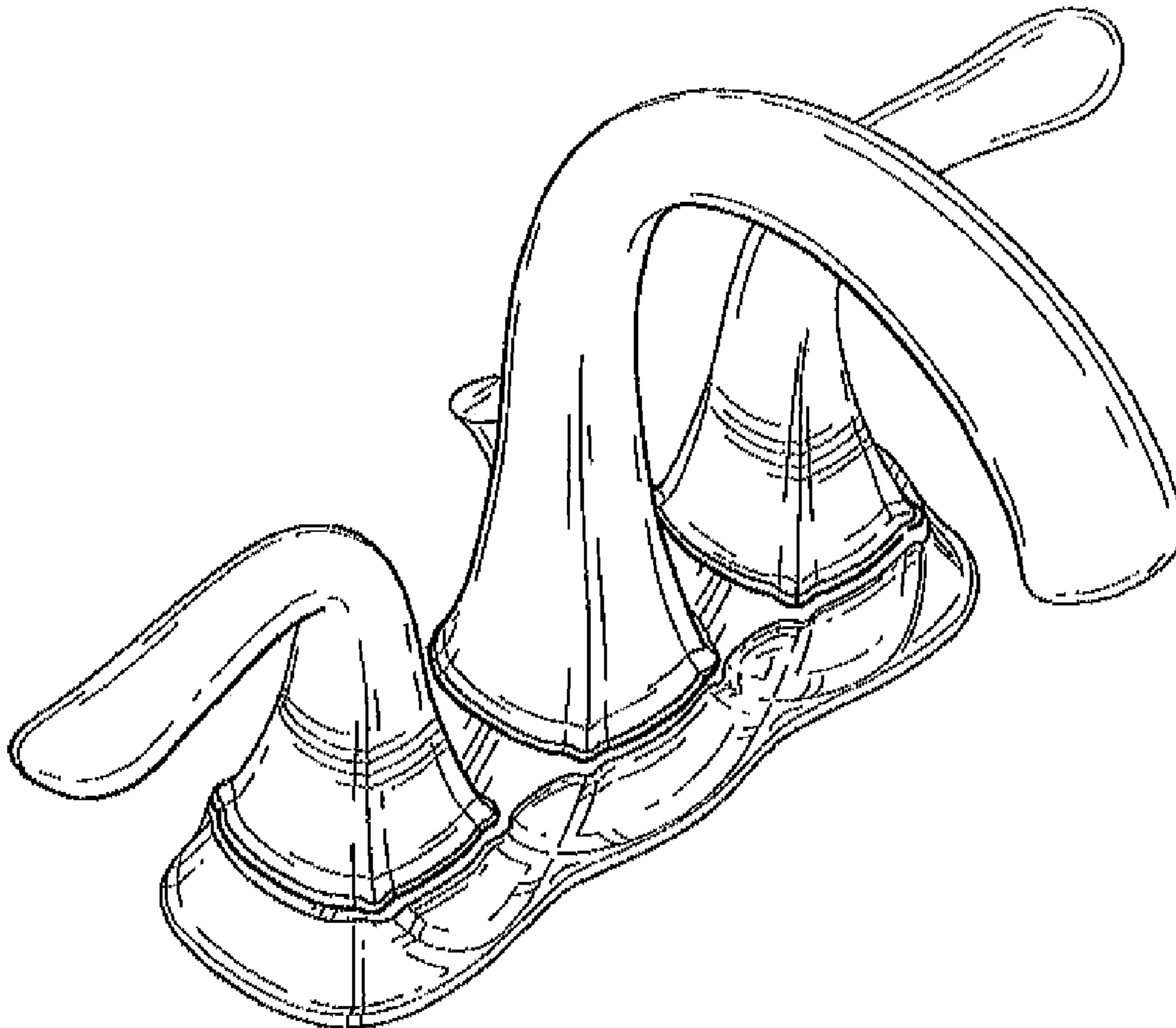
FIG. 3 is a front elevational view thereof;

FIG. 4 is a right side view thereof, the opposite side being a mirror image of the side shown;

FIG. 5 is a bottom view thereof; and,

FIG. 6 is a rear view thereof.

**1 Claim, 2 Drawing Sheets**



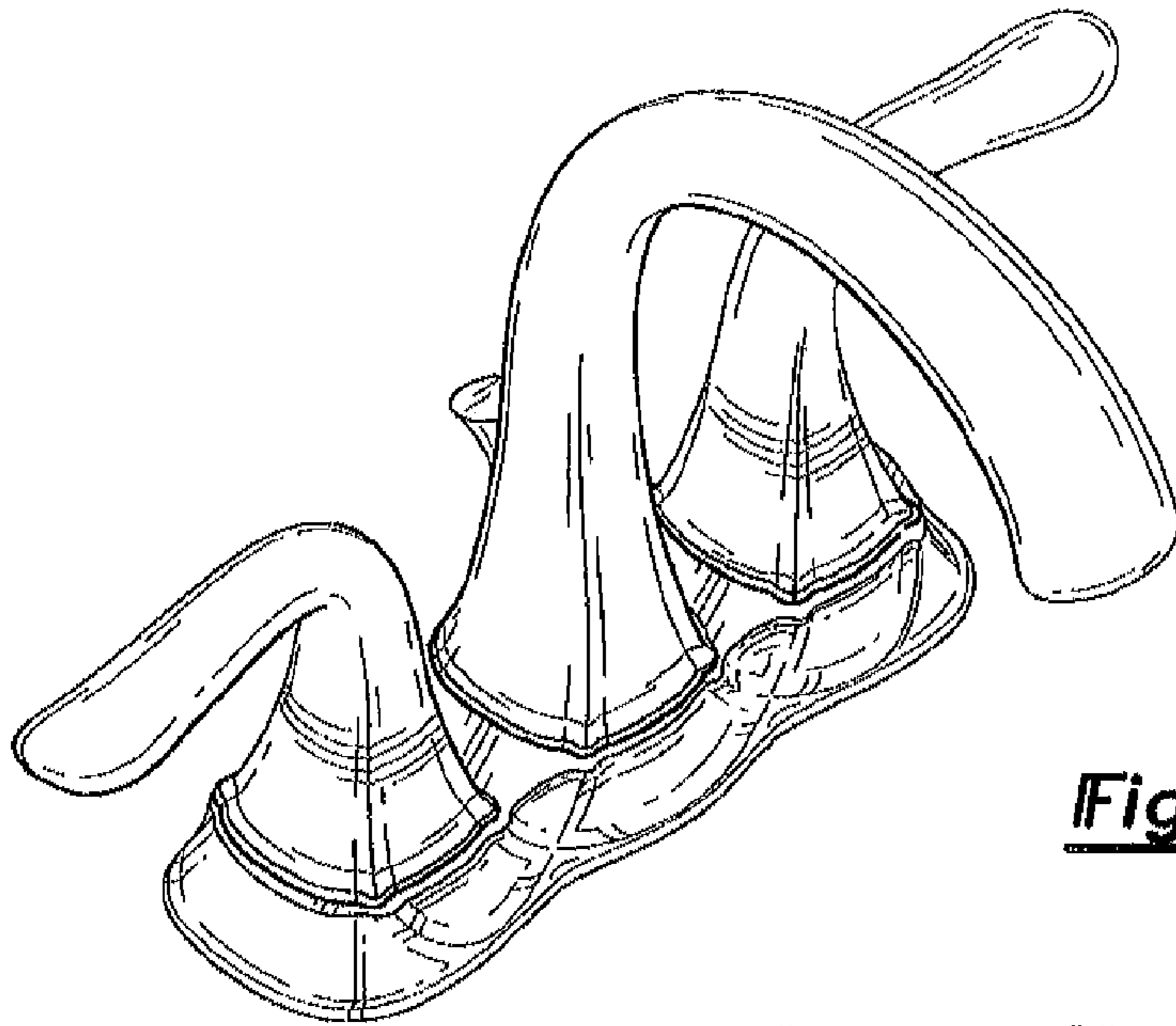


Fig-1

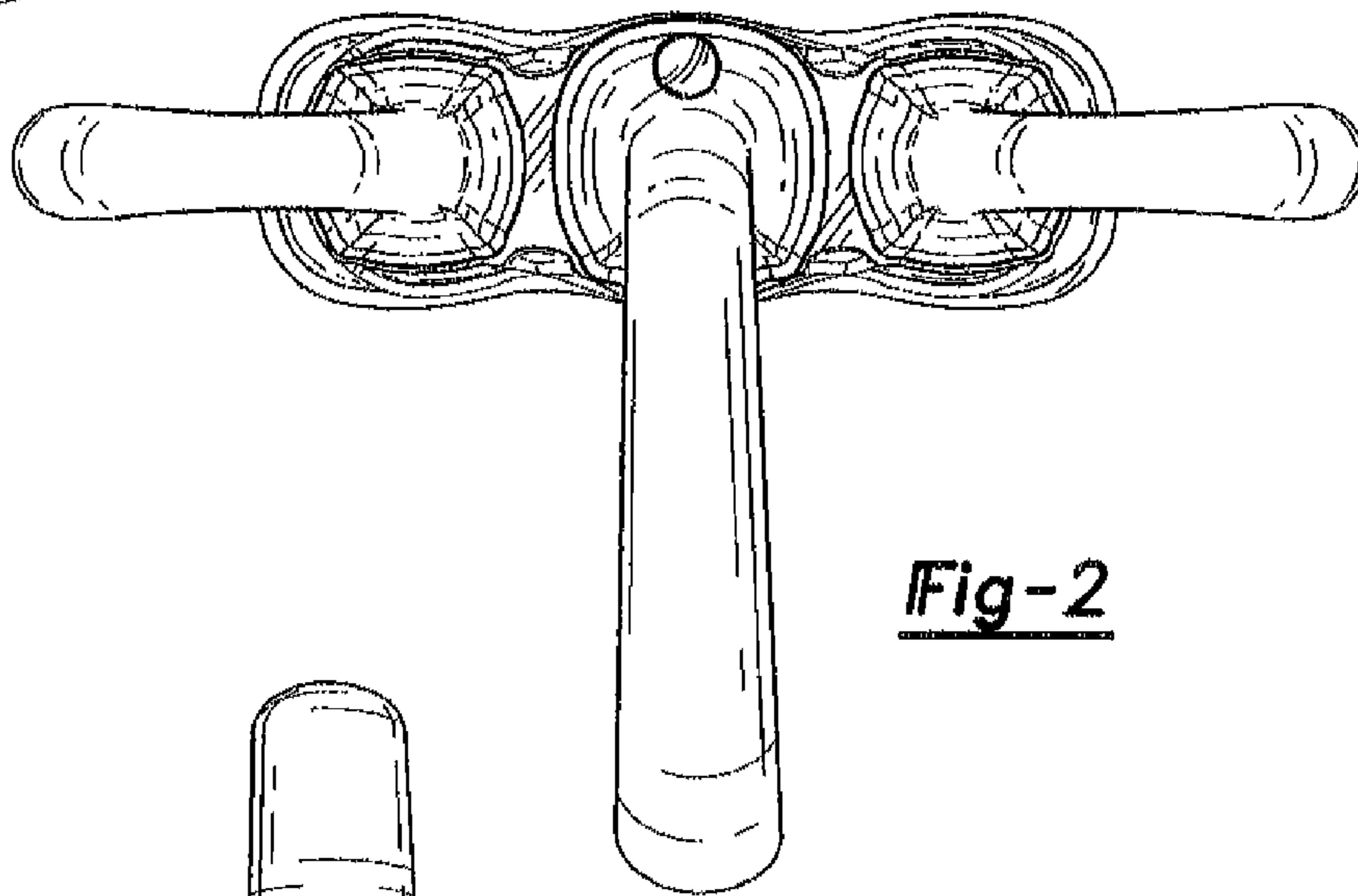


Fig-2

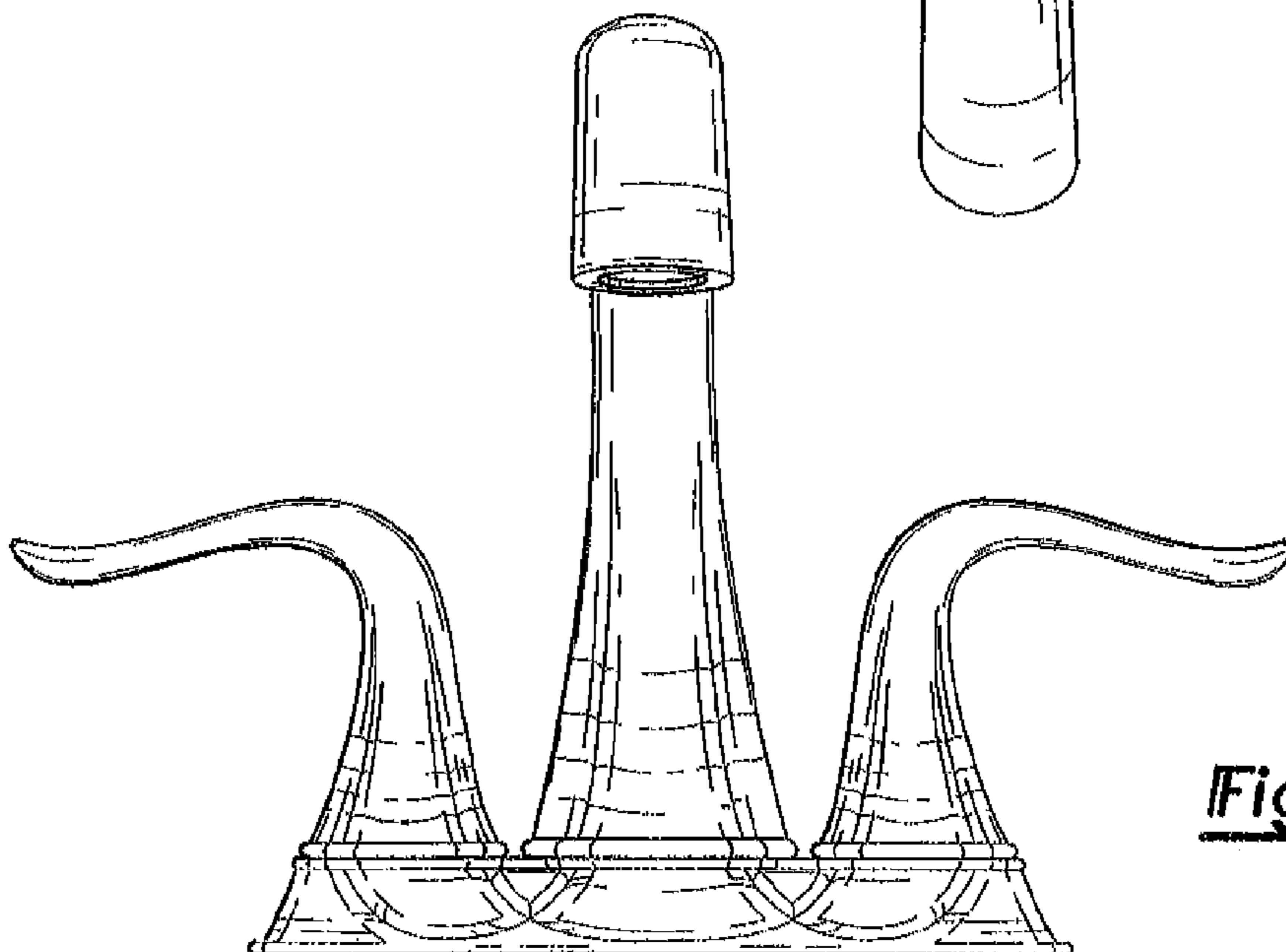


Fig-3

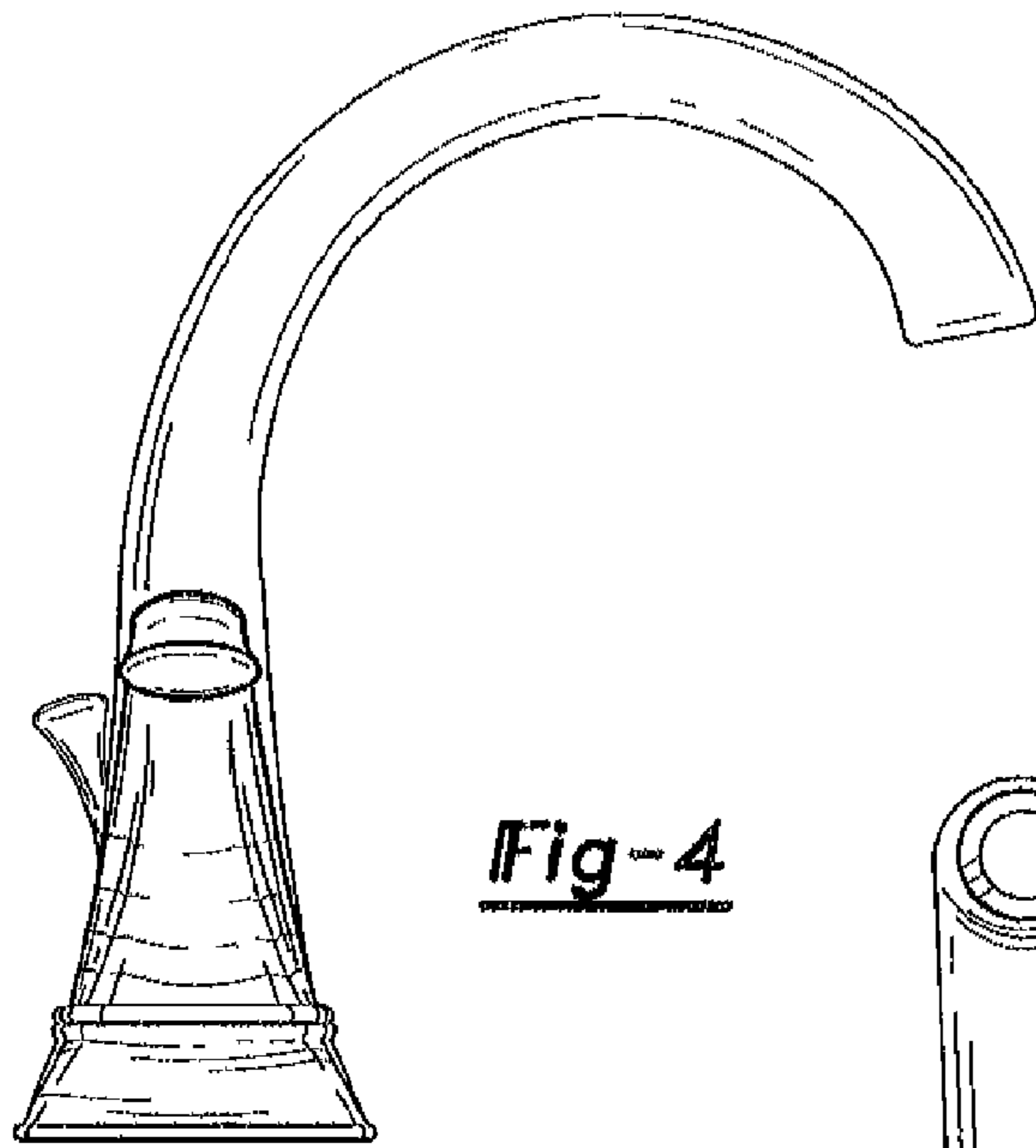


Fig-4

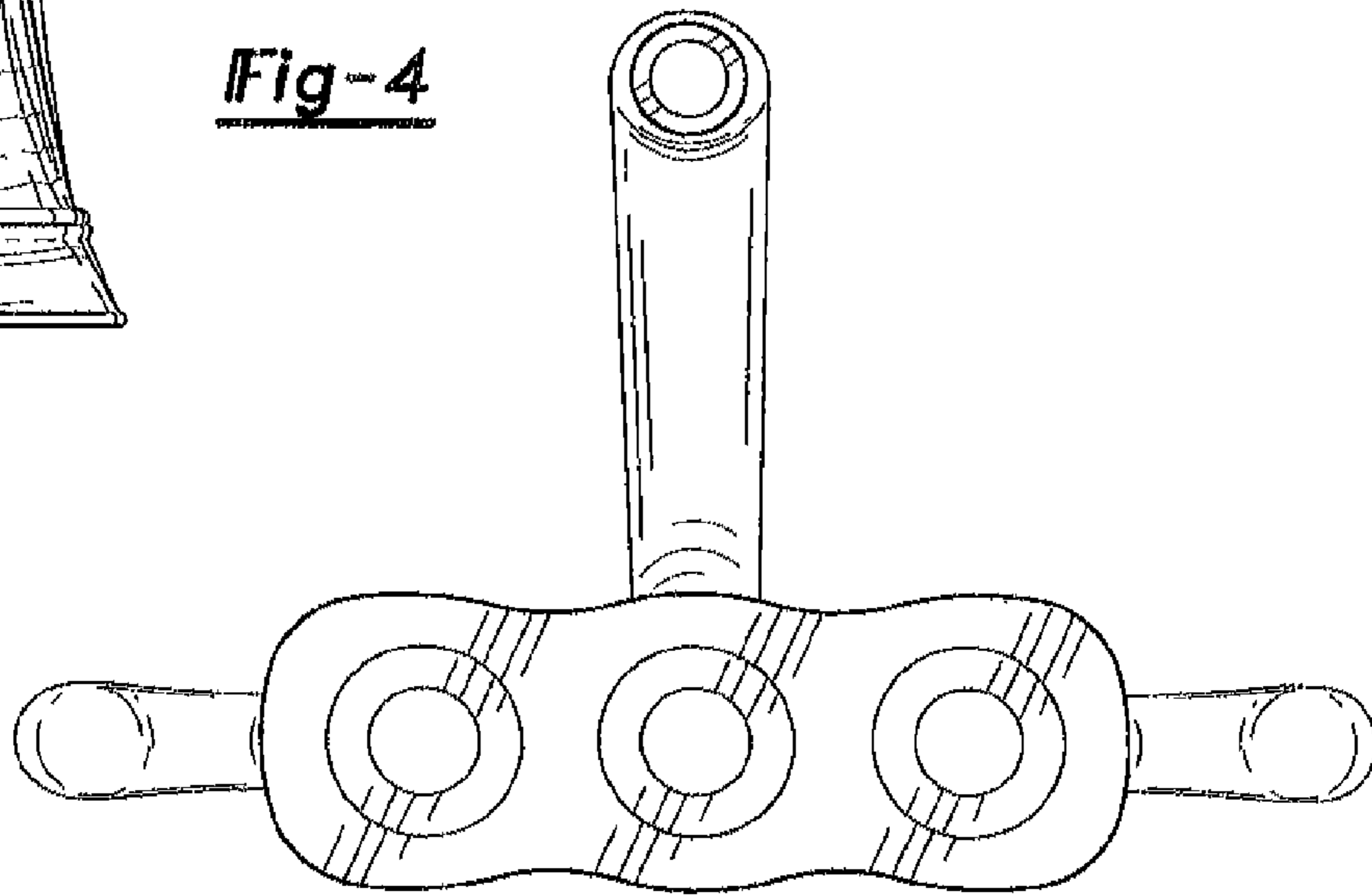


Fig-5

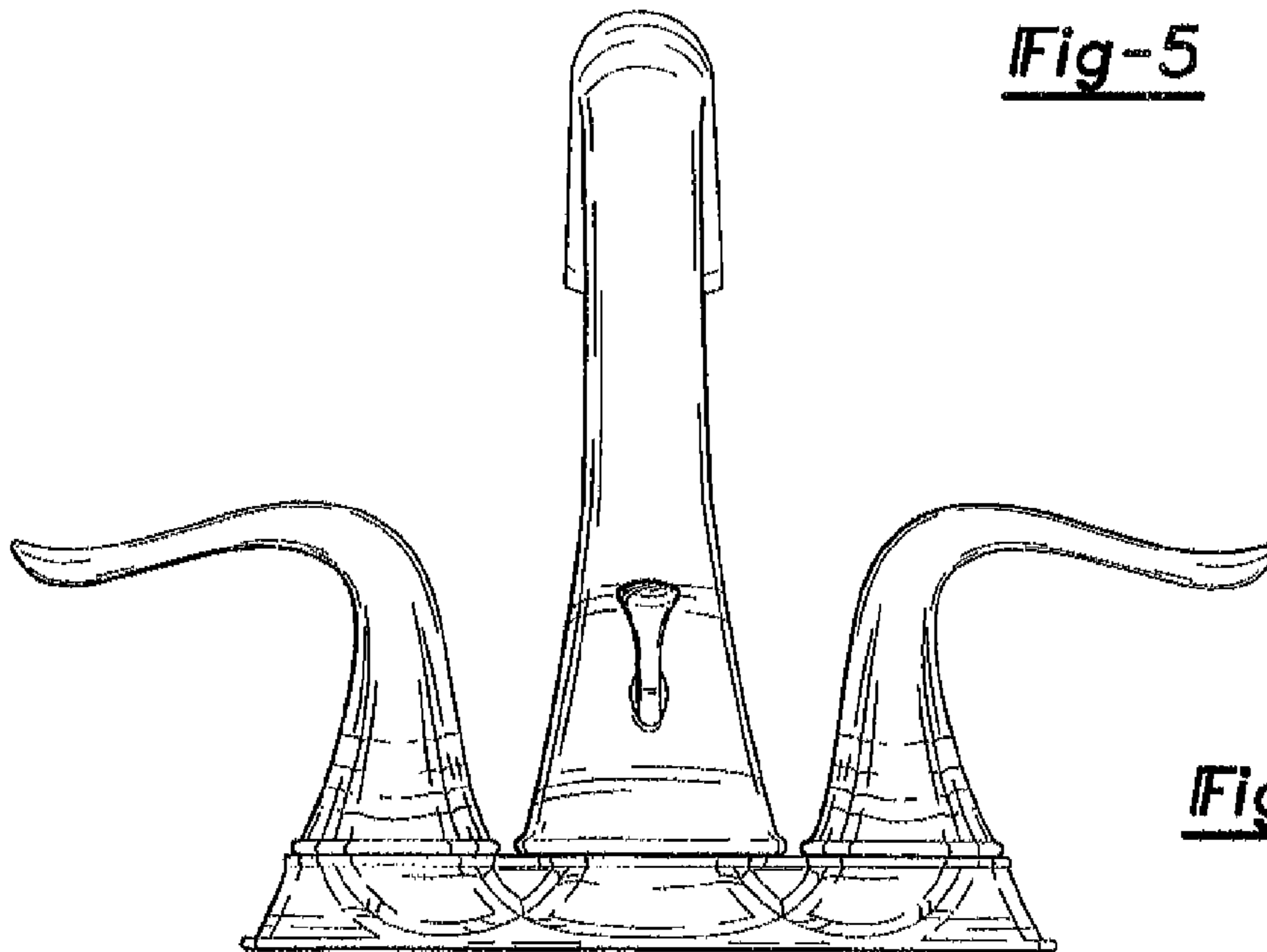


Fig-6