

US00D667932S

(12) **United States Design Patent**
Kulig et al.

(10) **Patent No.:** **US D667,932 S**

(45) **Date of Patent:** **** Sep. 25, 2012**

(54) **FAUCET**

(75) Inventors: **Zbigniew Kulig**, Wadworth, IL (US);
Daive Oppizzi, Genève (CH)

(73) Assignee: **Graff Faucets**, Milwaukee, WI (US)

(**) Term: **14 Years**

(21) Appl. No.: **29/400,524**

(22) Filed: **Aug. 30, 2011**

(51) **LOC (9) Cl.** **23-01**

(52) **U.S. Cl.** **D23/238**

(58) **Field of Classification Search** D23/238,
D23/241-243, 250, 252, 255, 257; 4/675-678;
137/801

See application file for complete search history.

(56) **References Cited**

U.S. PATENT DOCUMENTS

D511,814 S * 11/2005 Wei D23/238
D549,803 S * 8/2007 Jaeb D23/255

D601,668 S * 10/2009 Williams D23/255
D608,421 S * 1/2010 Gilbert D23/255
D622,354 S * 8/2010 Yu D23/238

* cited by examiner

Primary Examiner — Robert Delehanty

(74) *Attorney, Agent, or Firm* — Boyle Fredrickson, S.C.

(57) **CLAIM**

The ornamental design for a faucet, as shown and described.

DESCRIPTION

FIG. 1 is an isometric view of a faucet incorporating our new design, viewed from in front of, above, and from the right side of the faucet;

FIG. 2 is a right-side elevation view thereof;

FIG. 3 is a left-side elevation view thereof;

FIG. 4 is a front elevation view thereof;

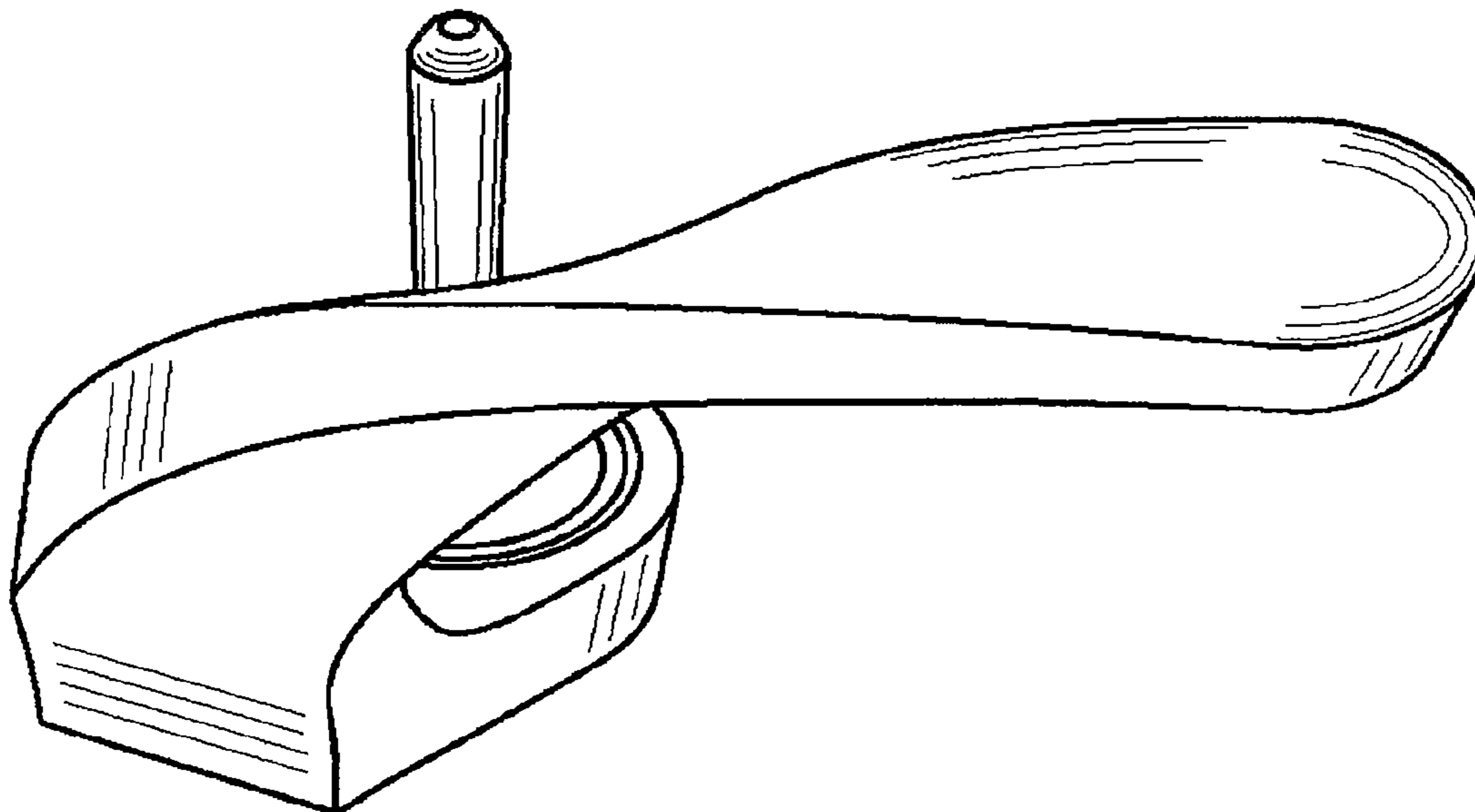
FIG. 5 is a rear elevation view thereof;

FIG. 6 is a top plan view thereof; and,

FIG. 7 is a bottom plan view thereof.

The broken lines in FIGS. 2-5 and 7 are for illustrative purposes only and form no part of the claimed design.

1 Claim, 7 Drawing Sheets



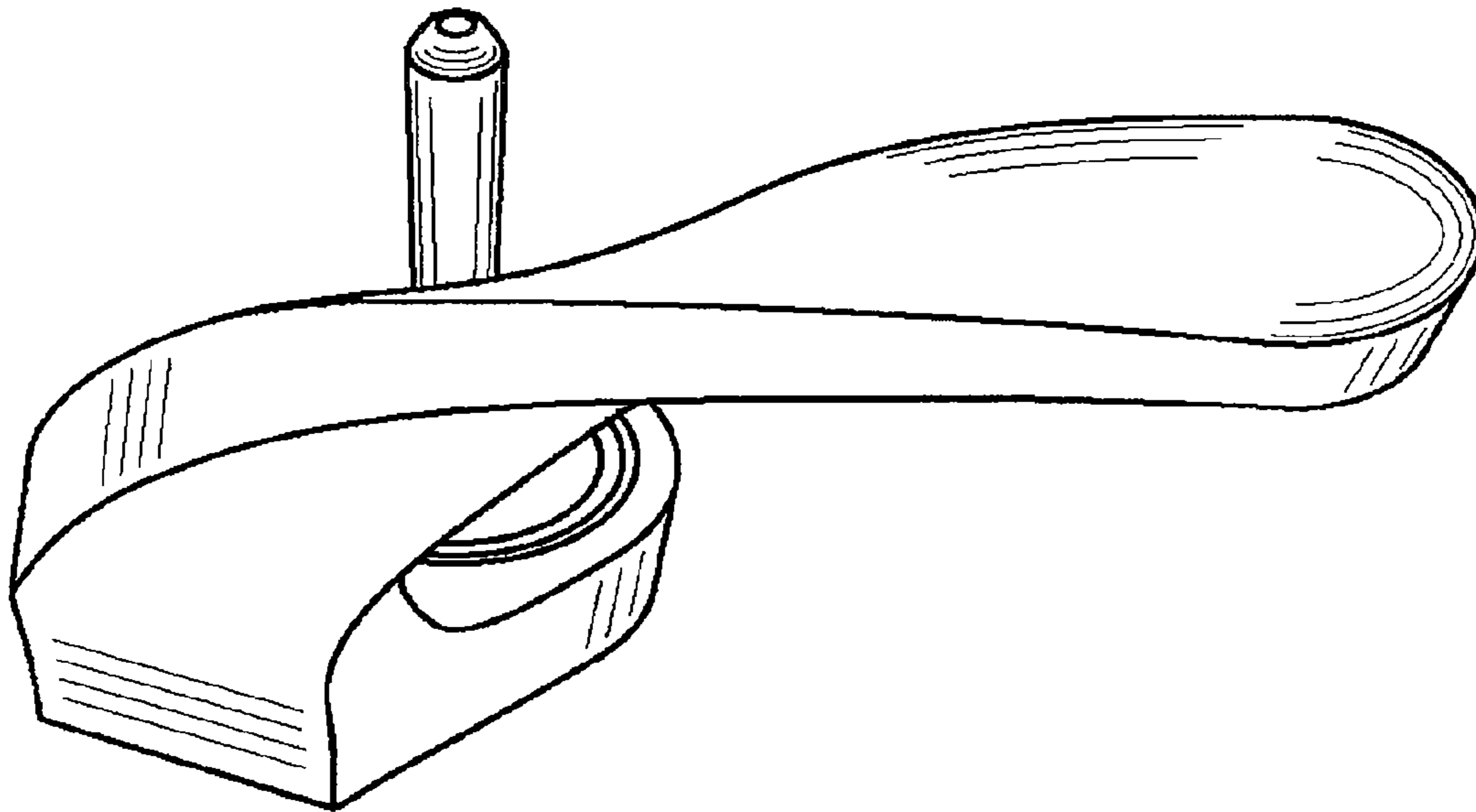


FIG. 1

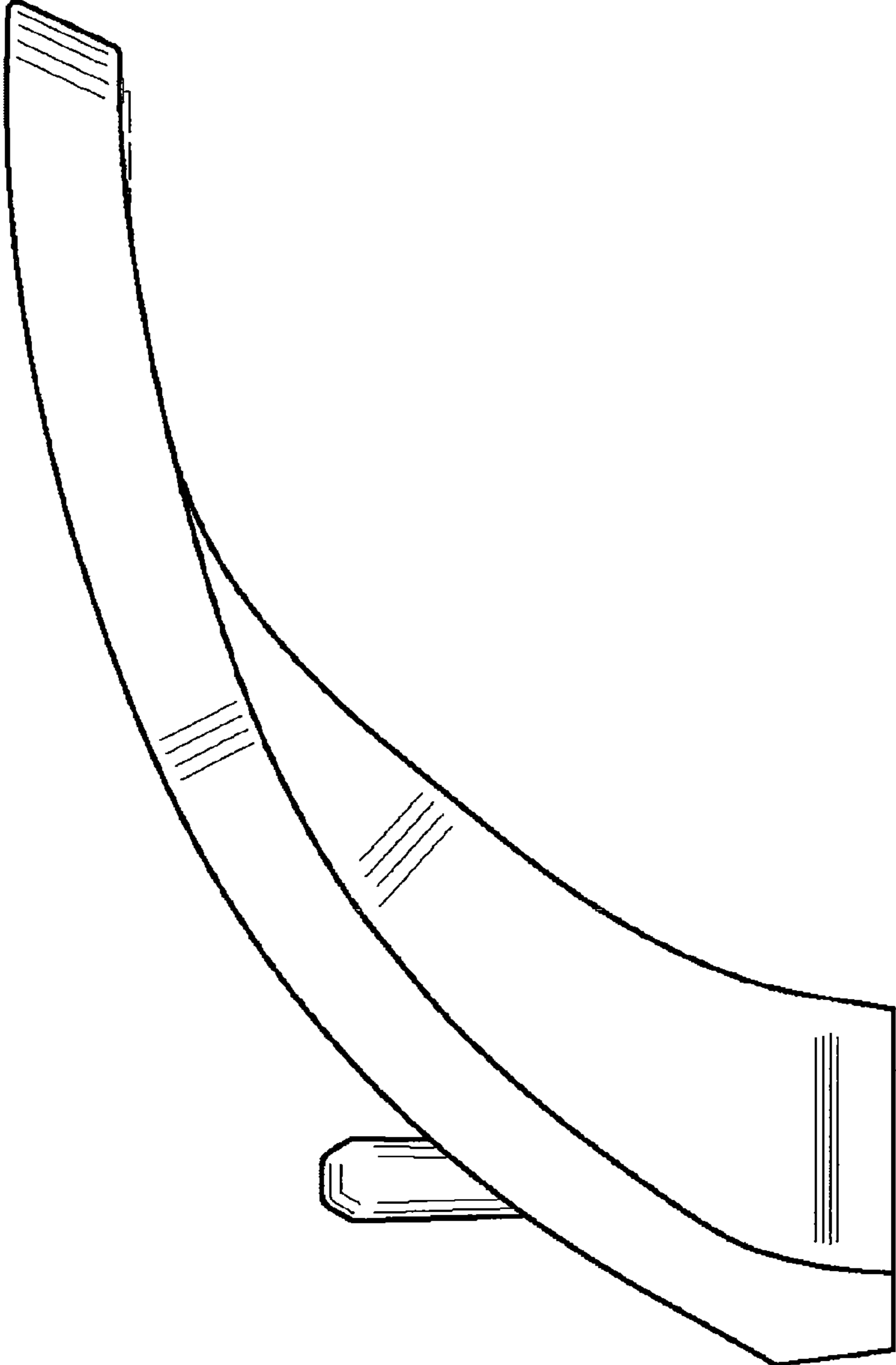


FIG. 2

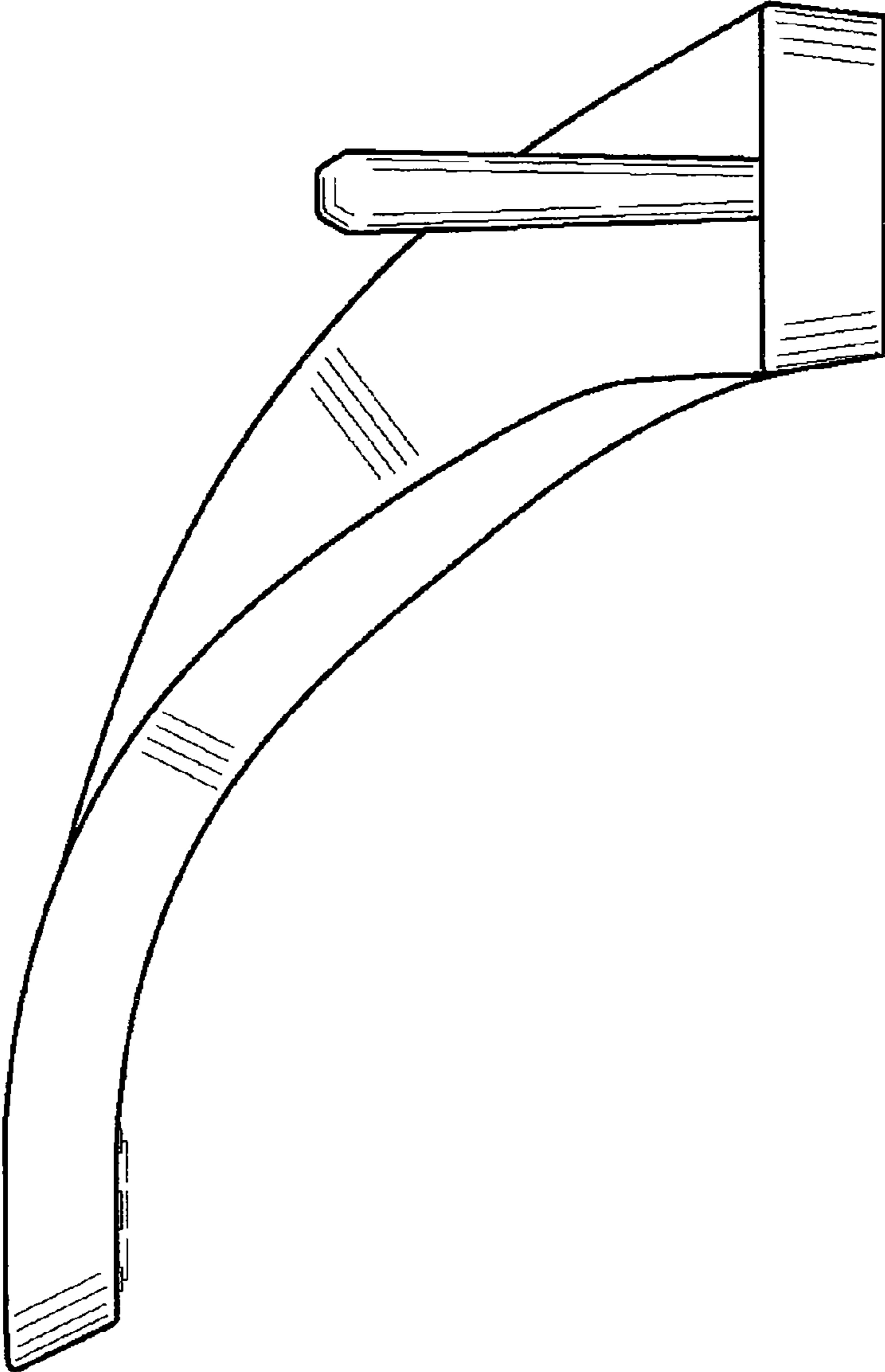


FIG. 3

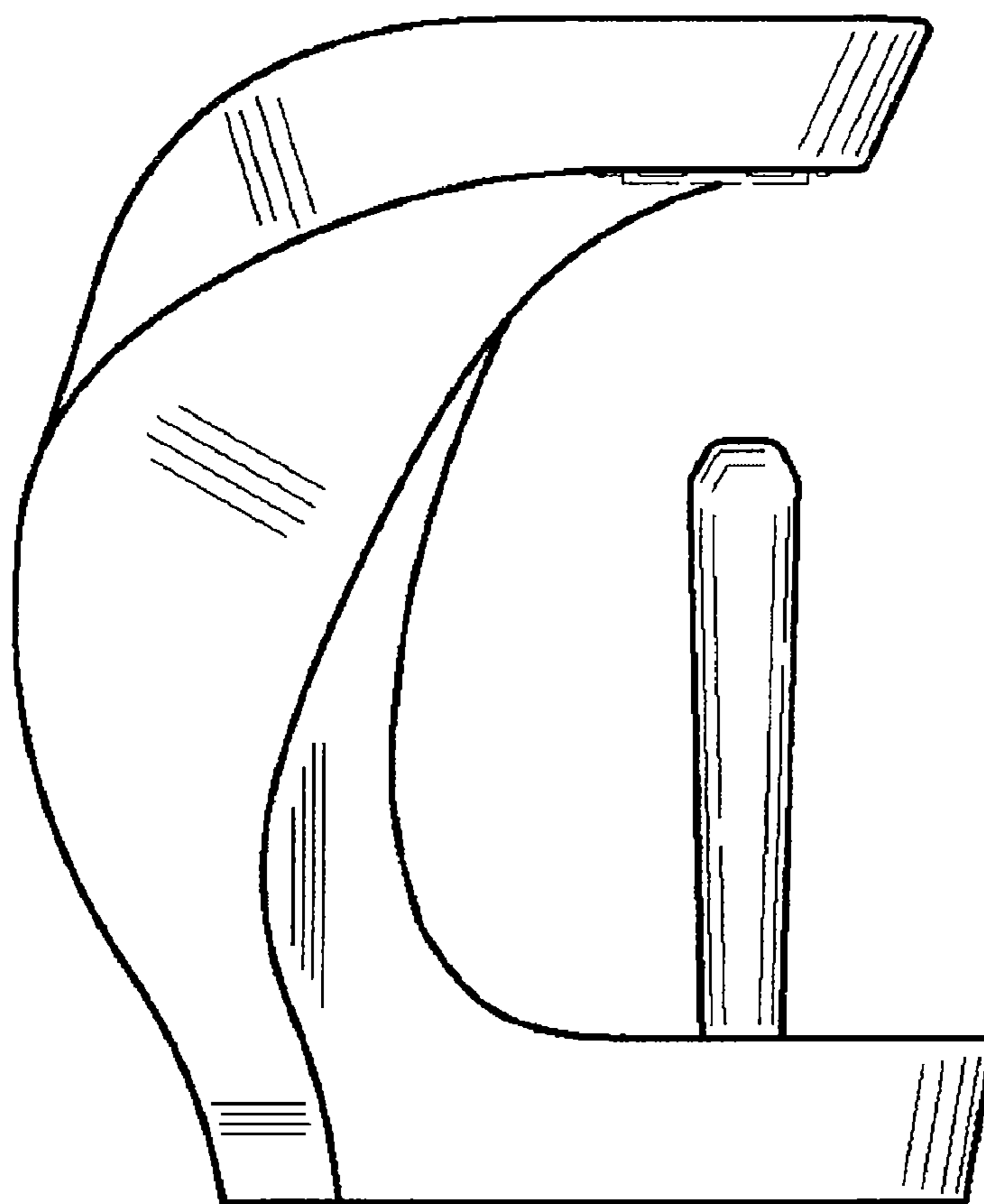


FIG. 4

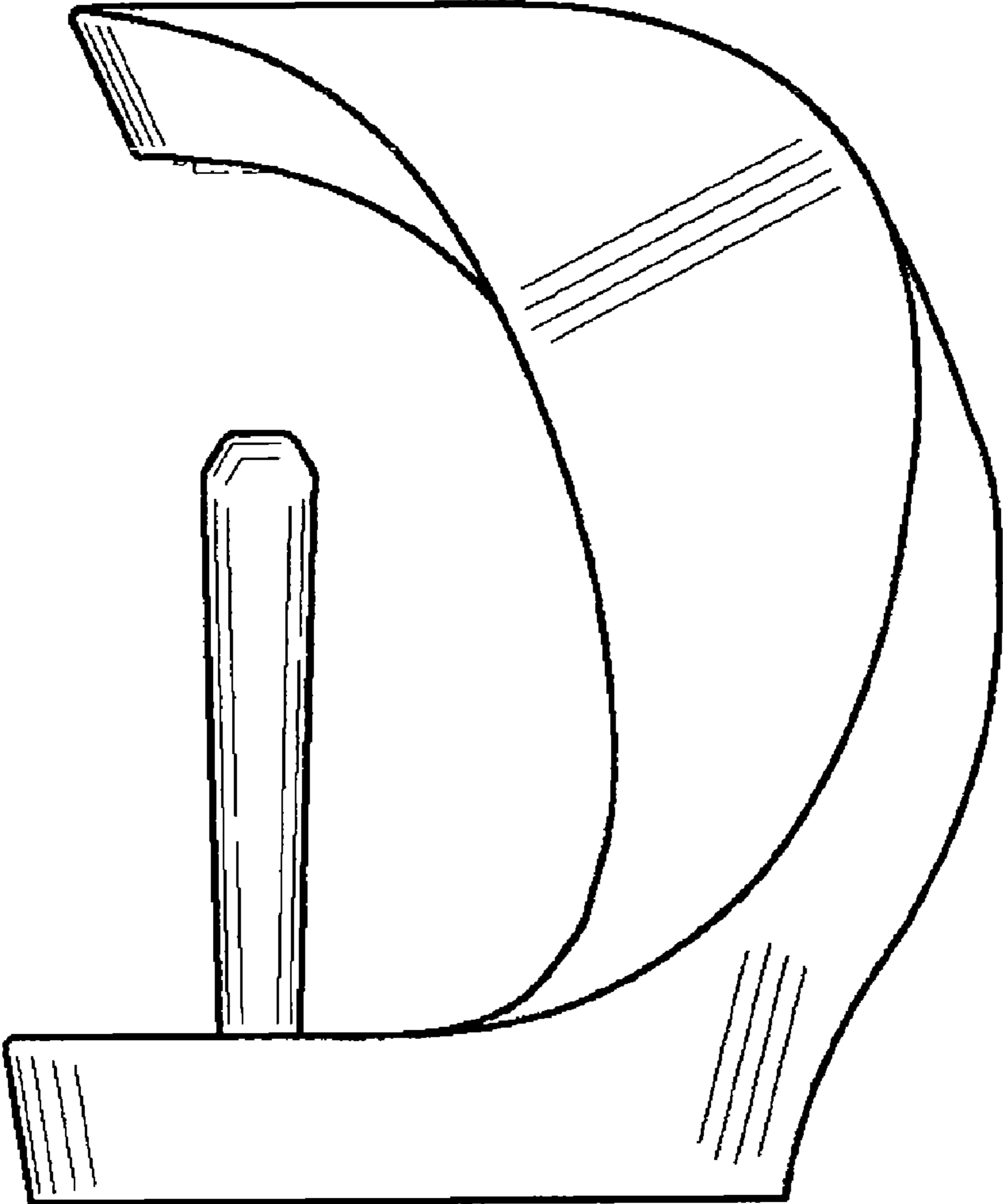


FIG. 5

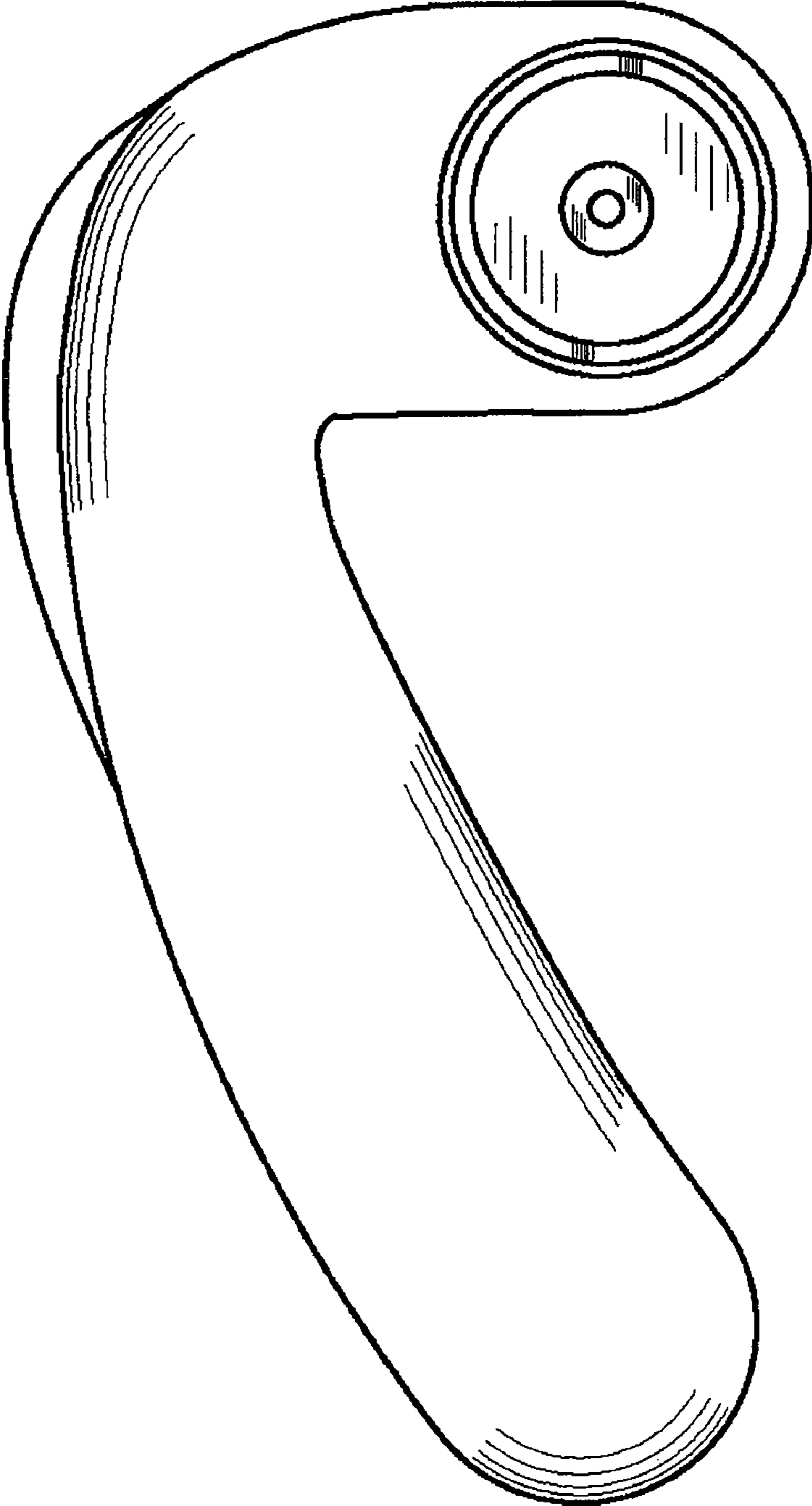


FIG. 6

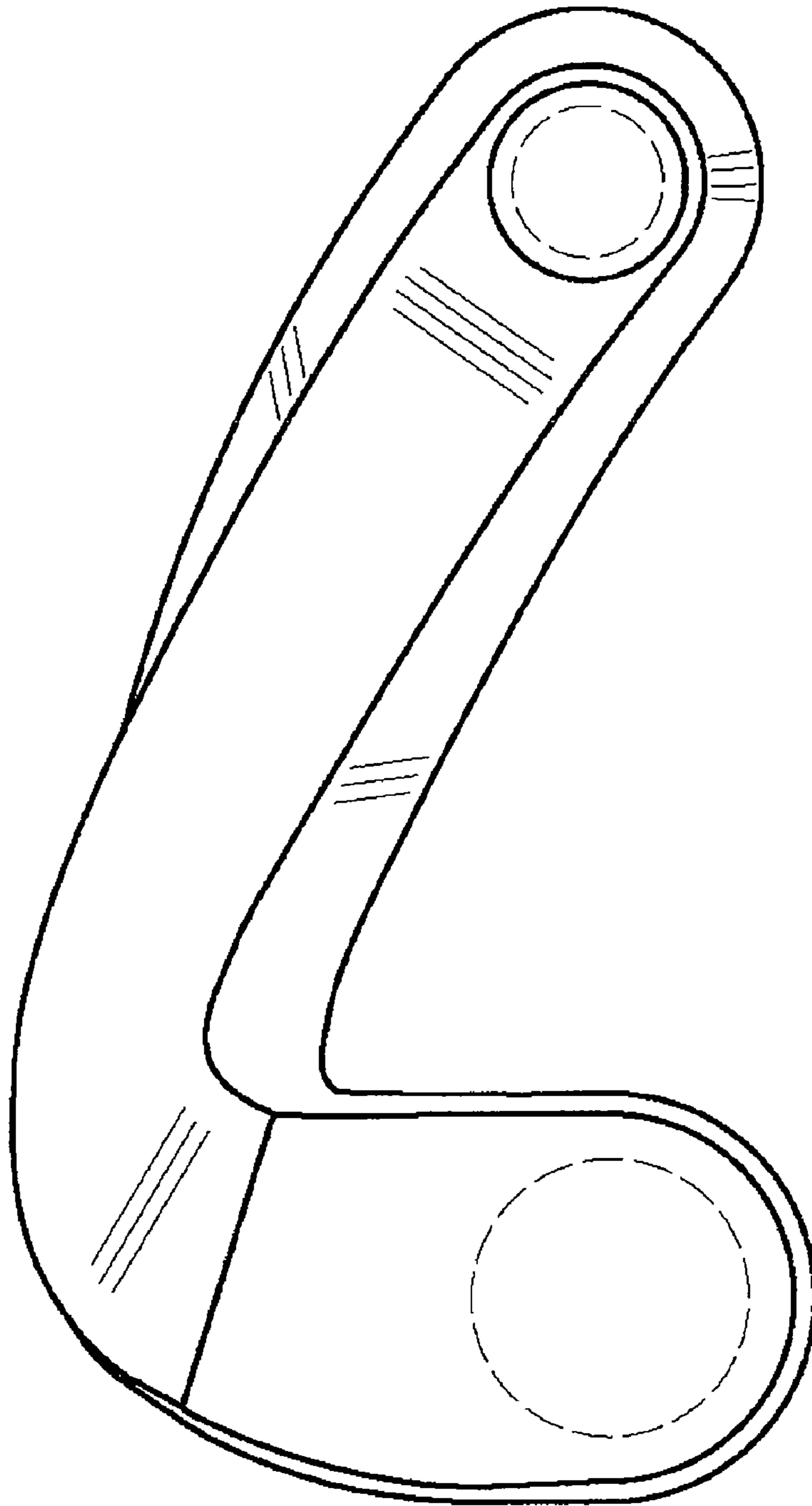


FIG. 7