



US00D667931S

(12) **United States Design Patent**
Mossman et al.

(10) **Patent No.:** **US D667,931 S**
(45) **Date of Patent:** **** Sep. 25, 2012**

(54) **FAUCET WITH FILTER LIFE INDICATOR**

(75) Inventors: **Michael C. Mossman**, Redmond, WA (US); **Jay H. Jamison**, Woodinville, WA (US); **Bryan S. Cabatic**, Shoreline, WA (US); **Adam C. Weisgerber**, Bellevue, WA (US); **Mark A. Taylor**, Seattle, WA (US); **Blake R. Stancik**, Mukilteo, WA (US)

(73) Assignee: **Rena Ware International, Inc.**, Bellevue, WA (US)

(**) Term: **14 Years**

(21) Appl. No.: **29/400,316**

(22) Filed: **Aug. 26, 2011**

(51) **LOC (9) Cl.** **23-01**

(52) **U.S. Cl.** **D23/238**

(58) **Field of Classification Search** D23/238,
D23/241-243, 250, 252, 255, 257; 4/675-678;
137/801

See application file for complete search history.

(56) **References Cited**

U.S. PATENT DOCUMENTS

7,392,552 B2 *	7/2008	Lu	4/675
D585,524 S *	1/2009	Schoenherr et al.	D23/238
D586,881 S *	2/2009	Lammel et al.	D23/238
7,997,301 B2 *	8/2011	Marty et al.	137/613

* cited by examiner

Primary Examiner — Robert Delehanty
(74) *Attorney, Agent, or Firm* — DWC Law Firm, P.S.; David Chen

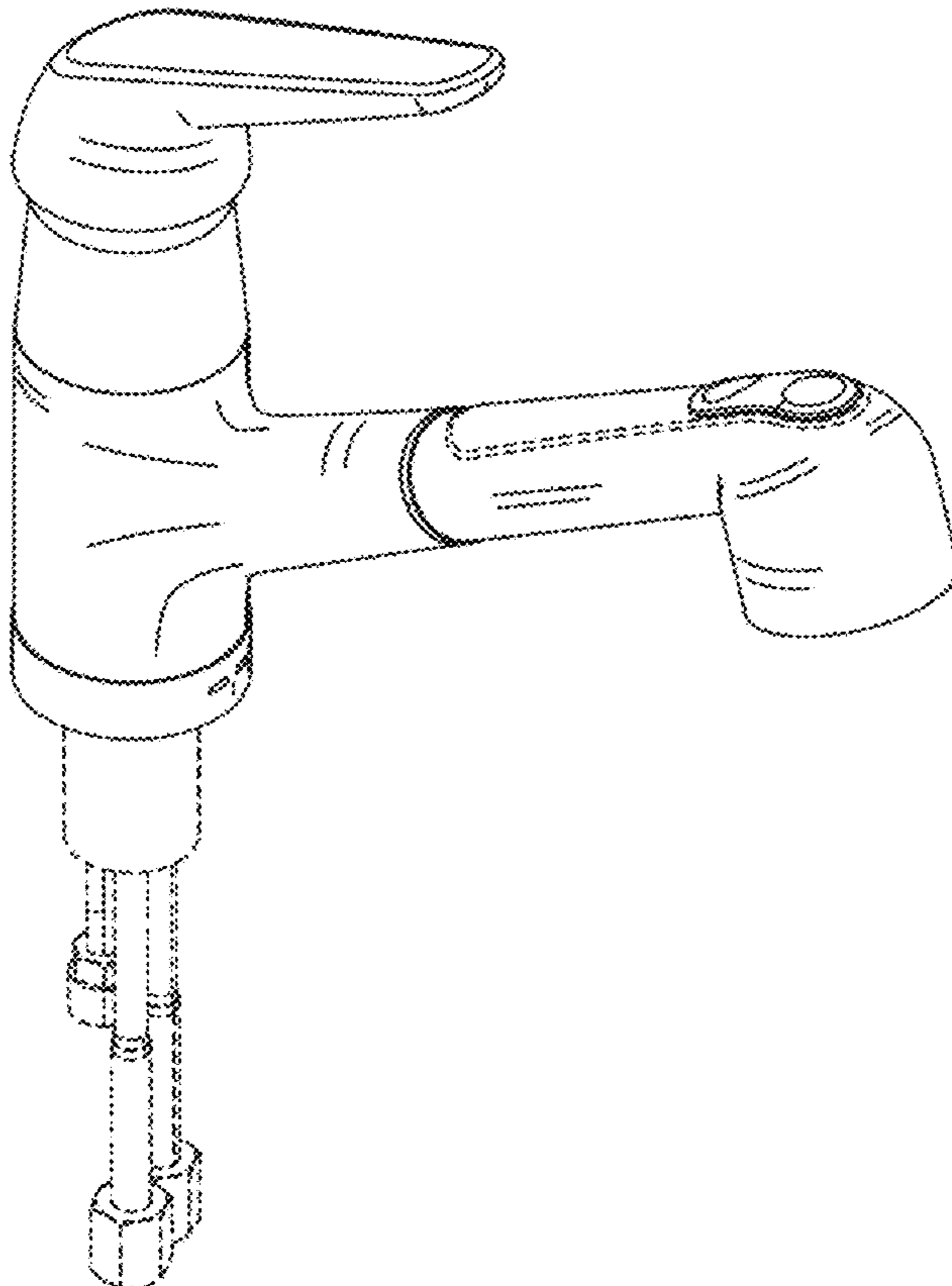
(57) **CLAIM**

The ornamental design for a faucet with filter life indicator, as shown and described.

DESCRIPTION

FIG. 1 is a top perspective view of the faucet with filter life indicator.
FIG. 2 is a front elevation view thereof.
FIG. 3 is a left side elevation view thereof.
FIG. 4 is a right side elevation view thereof.
FIG. 5 is a back elevation view thereof.
FIG. 6 is a top plan view thereof.
FIG. 7 is a bottom plan view thereof; and,
FIG. 8 is a top perspective view of the faucet with filter life indicator, showing the faucet mounted to a sink.
The broken lines are for illustrative purposes only and form no part of the claimed design.

1 Claim, 8 Drawing Sheets



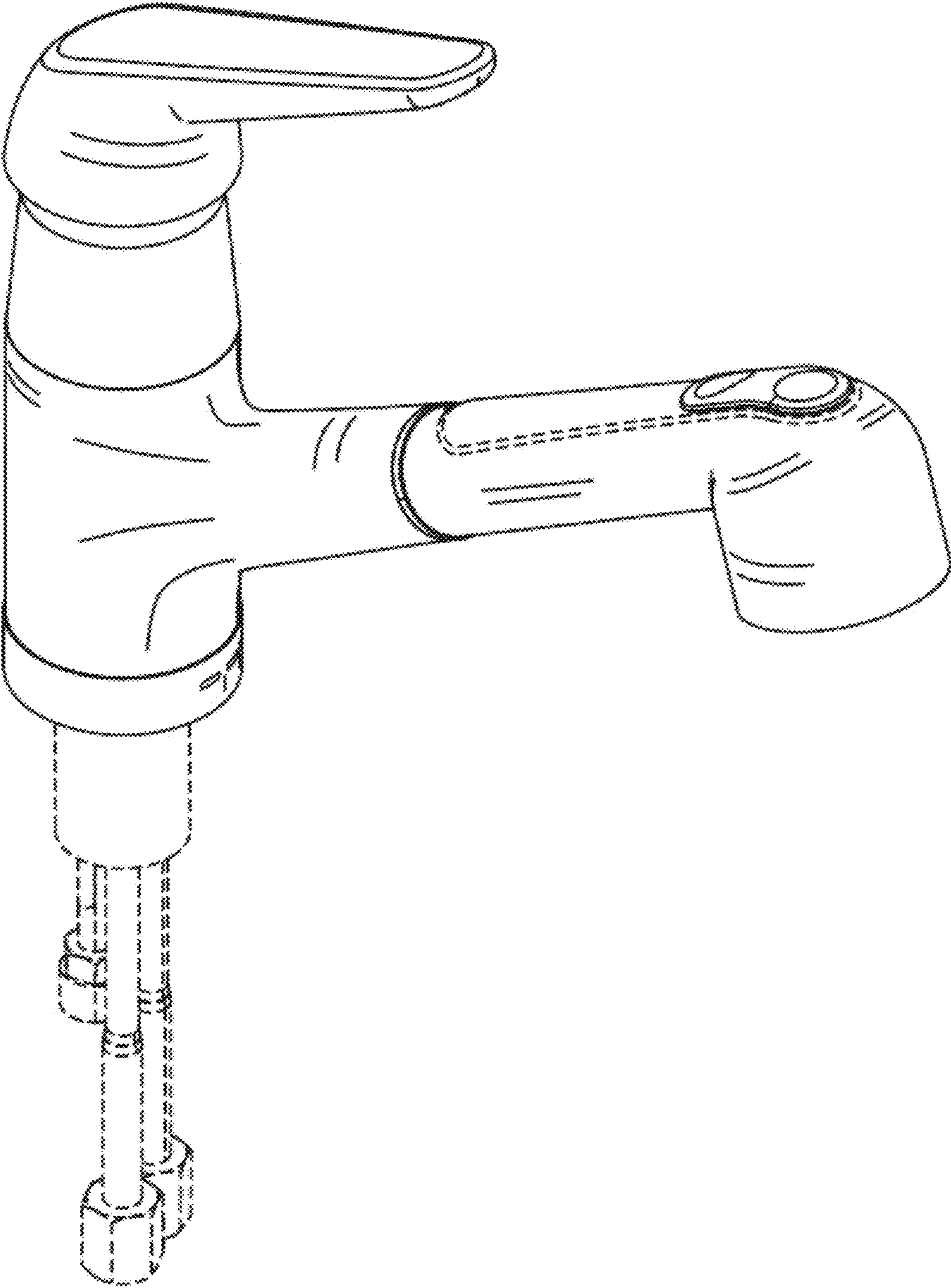


FIG. 1

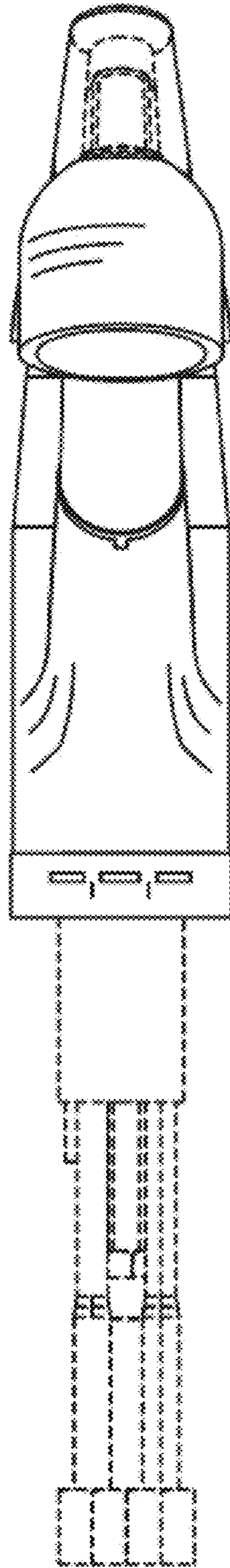


FIG. 2

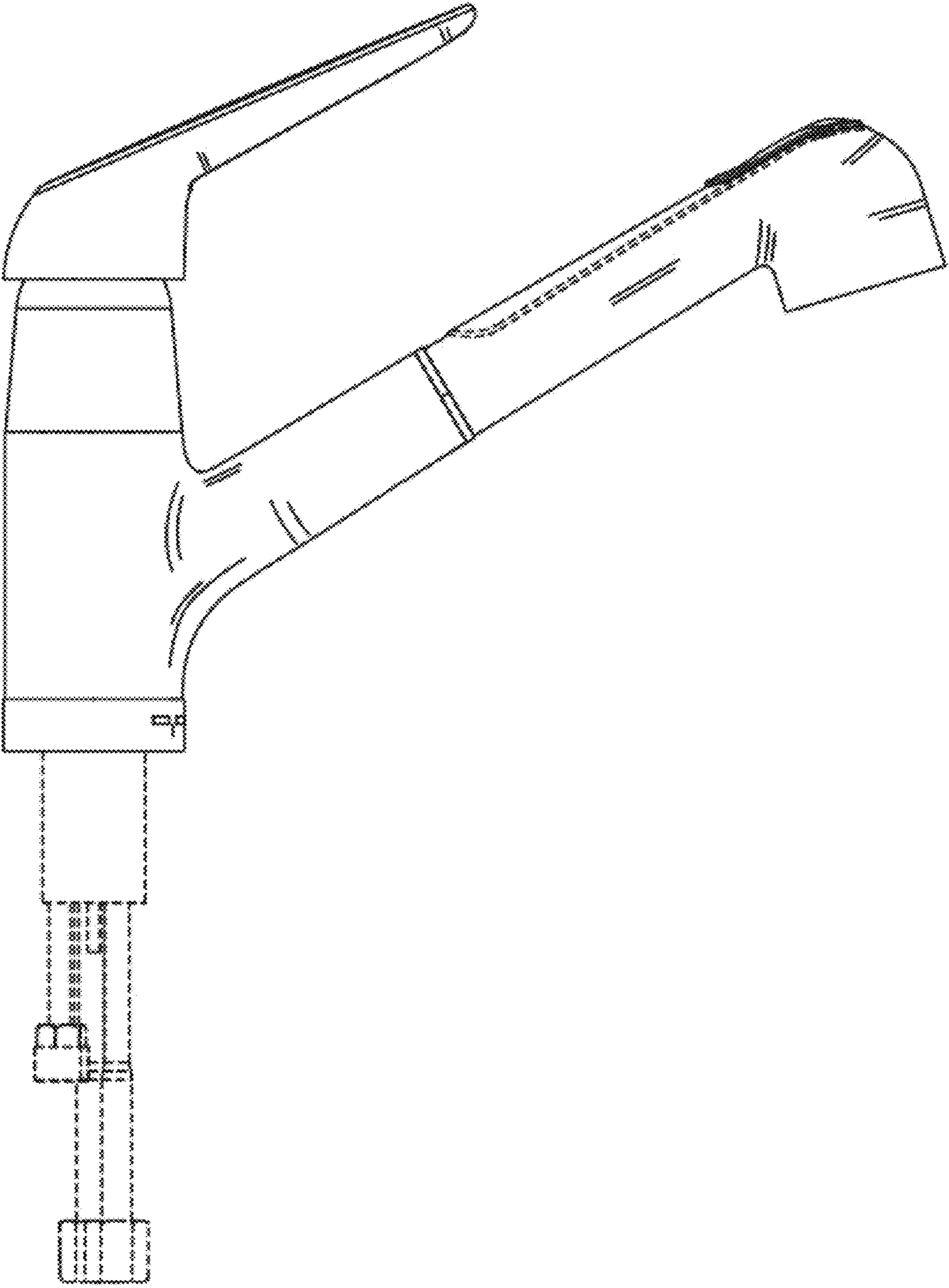


FIG. 3

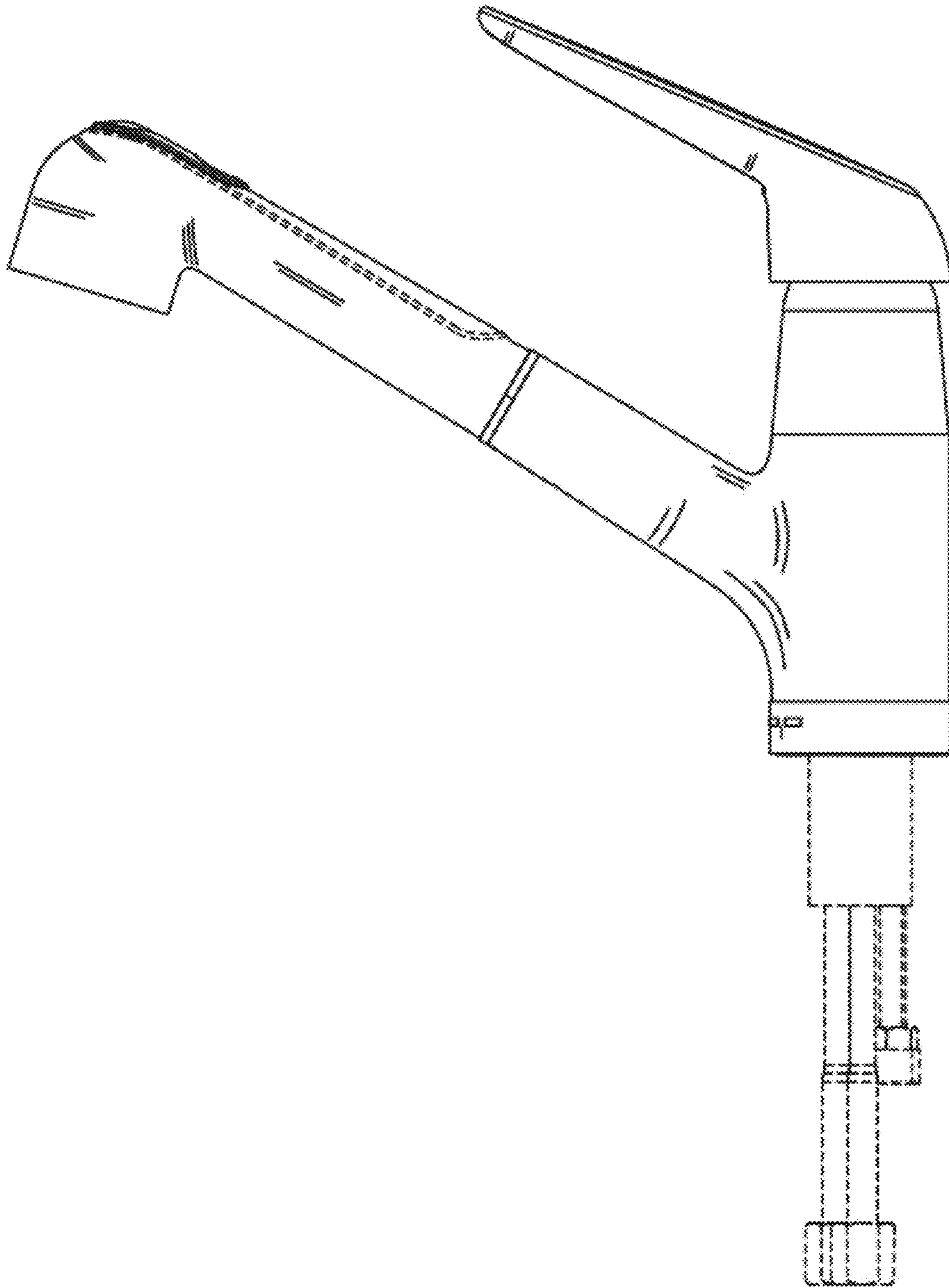


FIG. 4

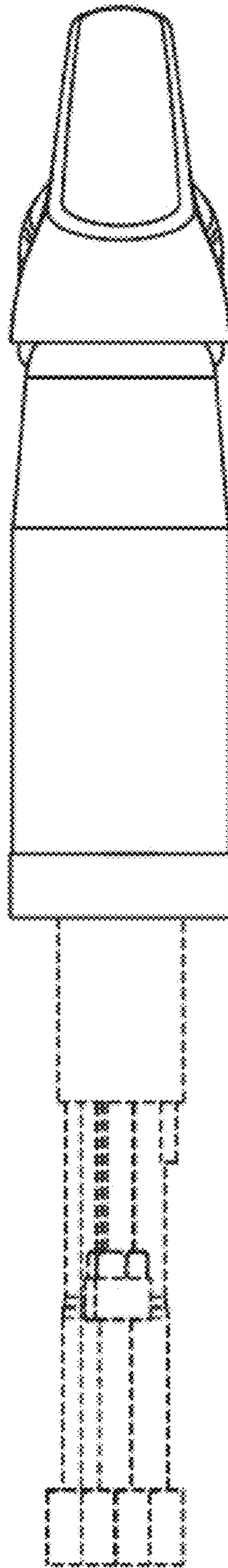


FIG. 5

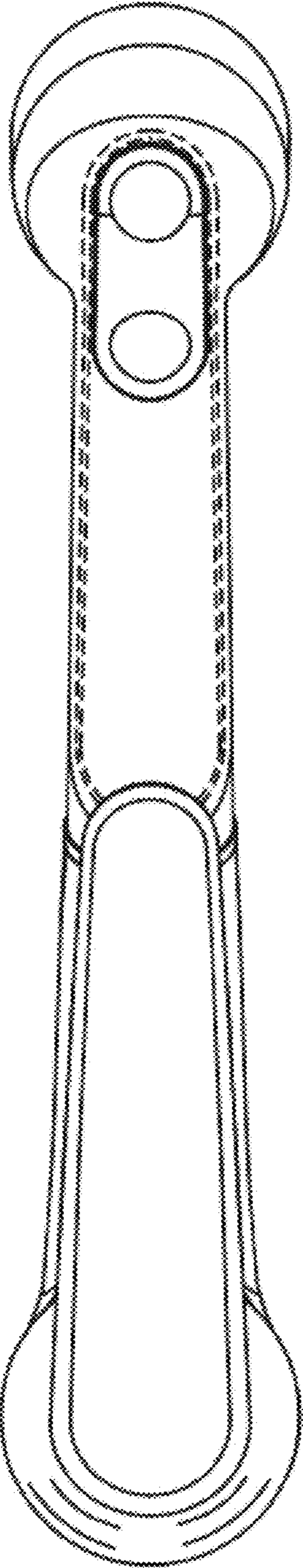


FIG. 6

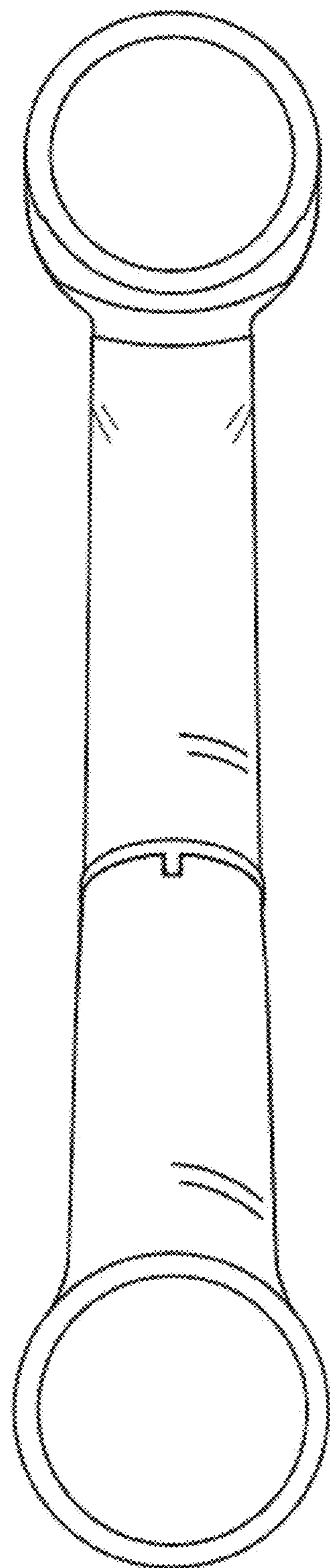


FIG. 7

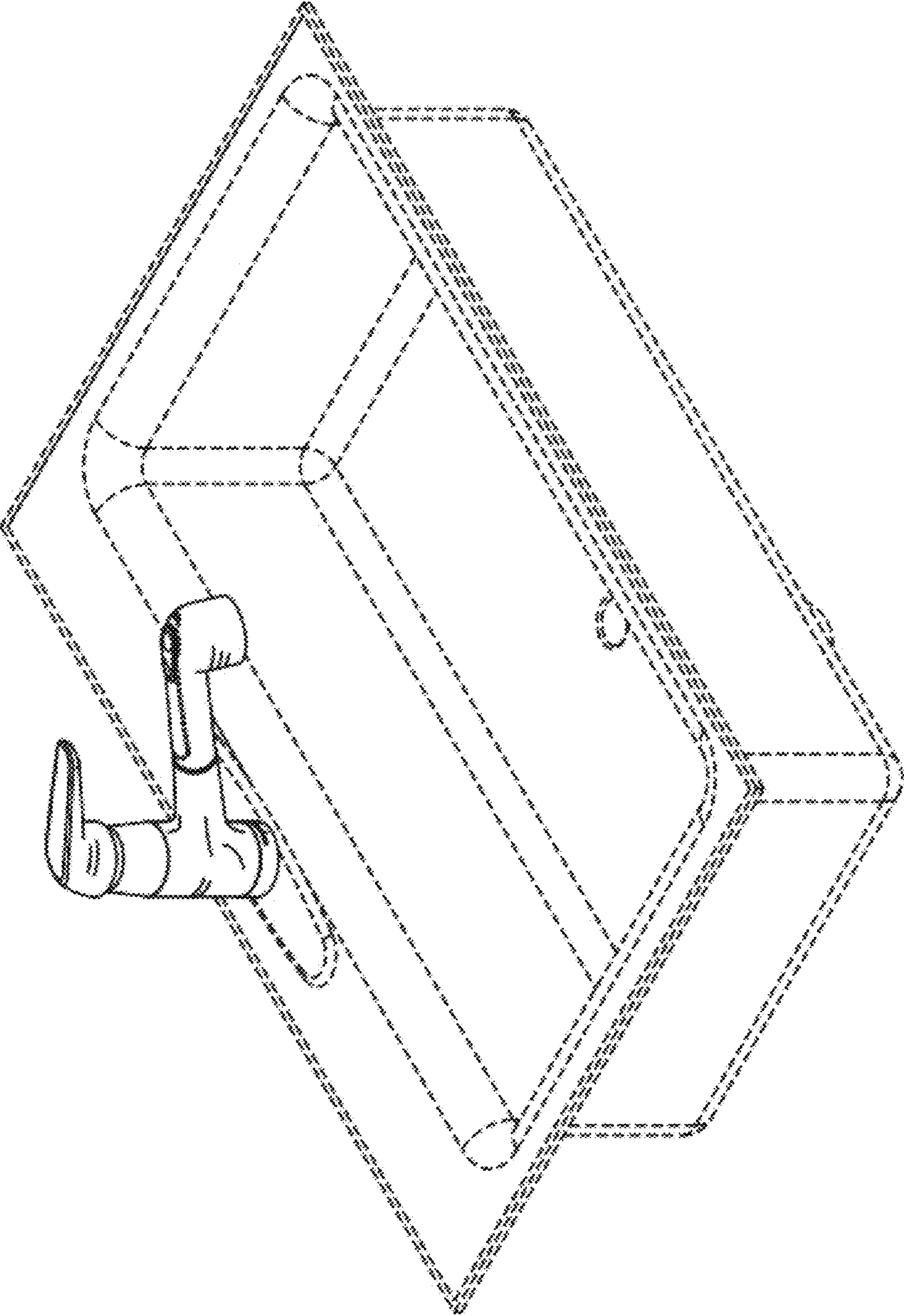


FIG. 8