

US00D667930S

(12) **United States Design Patent**
Yamada

(10) **Patent No.:** **US D667,930 S**

(45) **Date of Patent:** **** Sep. 25, 2012**

(54) **FLOW CONTROL VALVE FOR AIR PRESSURE DEVICE**

(75) Inventor: **Hirosuke Yamada**, Tsukubamirai (JP)

(73) Assignee: **SMC Corporation**, Chiyoda-ku, Tokyo (JP)

(**) Term: **14 Years**

(21) Appl. No.: **29/377,202**

(22) Filed: **Oct. 19, 2010**

(30) **Foreign Application Priority Data**

May 13, 2010 (JP) 2010-011765

(51) **LOC (9) Cl.** **23-01**

(52) **U.S. Cl.** **D23/235; D23/233**

(58) **Field of Classification Search** D23/200,
D23/207, 209, 210, 233-237, 244-249, 259-269,
D23/310; 137/398, 545, 547, 549; 251/62,
251/63.5, 129.01, 129.1, 129.16-129.18,
251/205, 208, 215, 309-312, 904

See application file for complete search history.

(56) **References Cited**

U.S. PATENT DOCUMENTS

D105,297 S *	7/1937	Murphy	D23/209
D242,797 S *	12/1976	Johnson	D23/237
D291,479 S *	8/1987	Padilla et al.	D23/264
D345,006 S *	3/1994	Gallagher et al.	D23/245
D428,114 S *	7/2000	Le Bars	D23/233

D600,779 S *	9/2009	Shishido	D23/233
D600,780 S *	9/2009	Shishido	D23/233
D601,661 S *	10/2009	Foster	D23/233
D605,255 S *	12/2009	Lai	D23/233
D623,271 S *	9/2010	Yamada	D23/233
D635,644 S *	4/2011	Yamada	D23/233
D639,392 S *	6/2011	Yamada	D23/233
D652,116 S *	1/2012	Fukushima	D23/235

* cited by examiner

Primary Examiner — Garth Rademaker

(74) *Attorney, Agent, or Firm* — Yokoi & Co., U.S.A., Inc.;
Toshiyuki Yokoi

(57) **CLAIM**

The ornamental design for a flow control valve for air pressure device, as shown and described.

DESCRIPTION

FIG. 1 shows a front view of a flow control valve for air pressure device showing my new design;
FIG. 2 shows a rear view thereof;
FIG. 3 shows a right side view thereof;
FIG. 4 shows a left side view thereof;
FIG. 5 shows a top view thereof;
FIG. 6 shows a bottom view thereof; and,
FIG. 7 shows a top, front and left side perspective view thereof.

The broken lines depict environmental subject matter only and form no part of the claimed design.

1 Claim, 6 Drawing Sheets

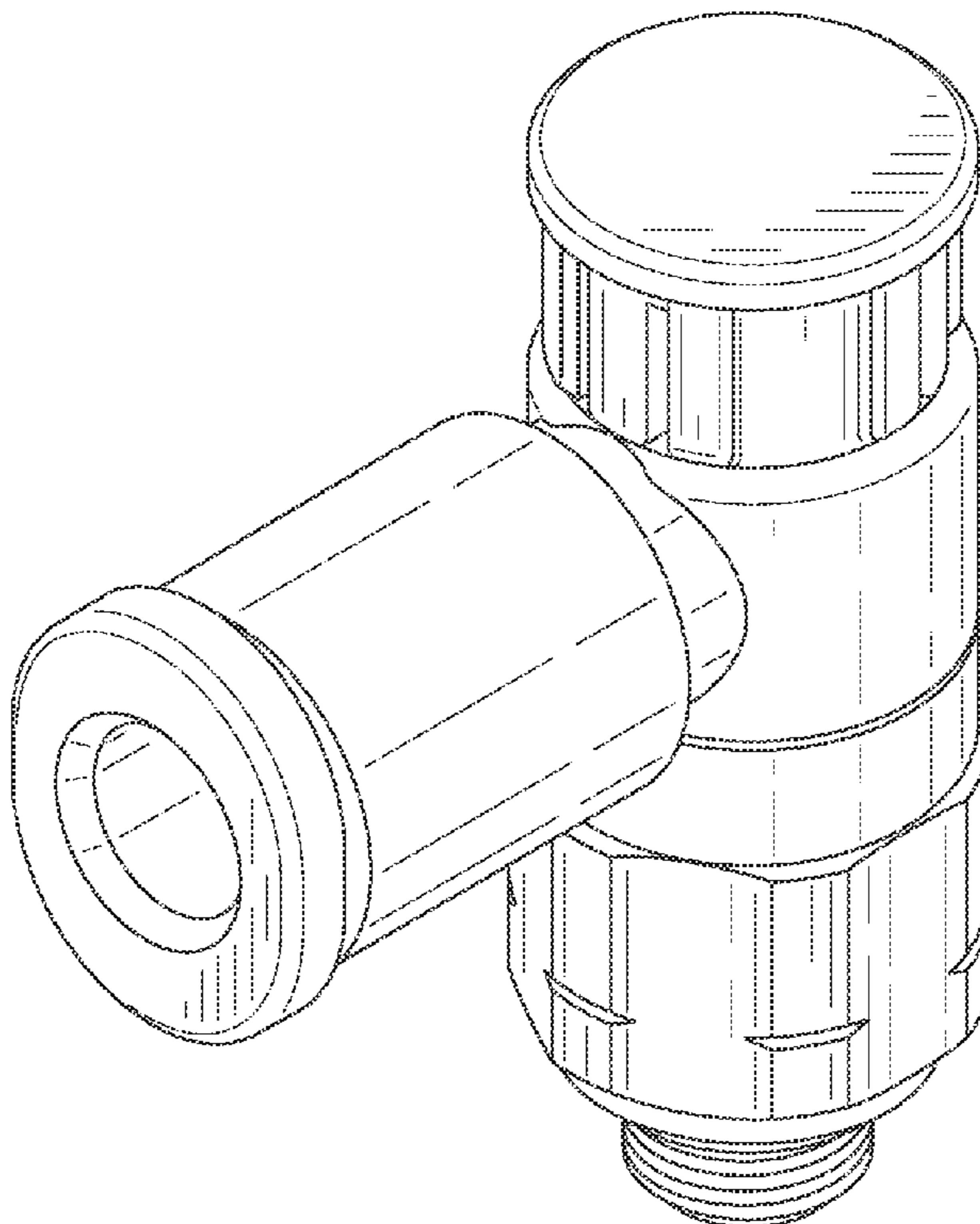


FIG. 1

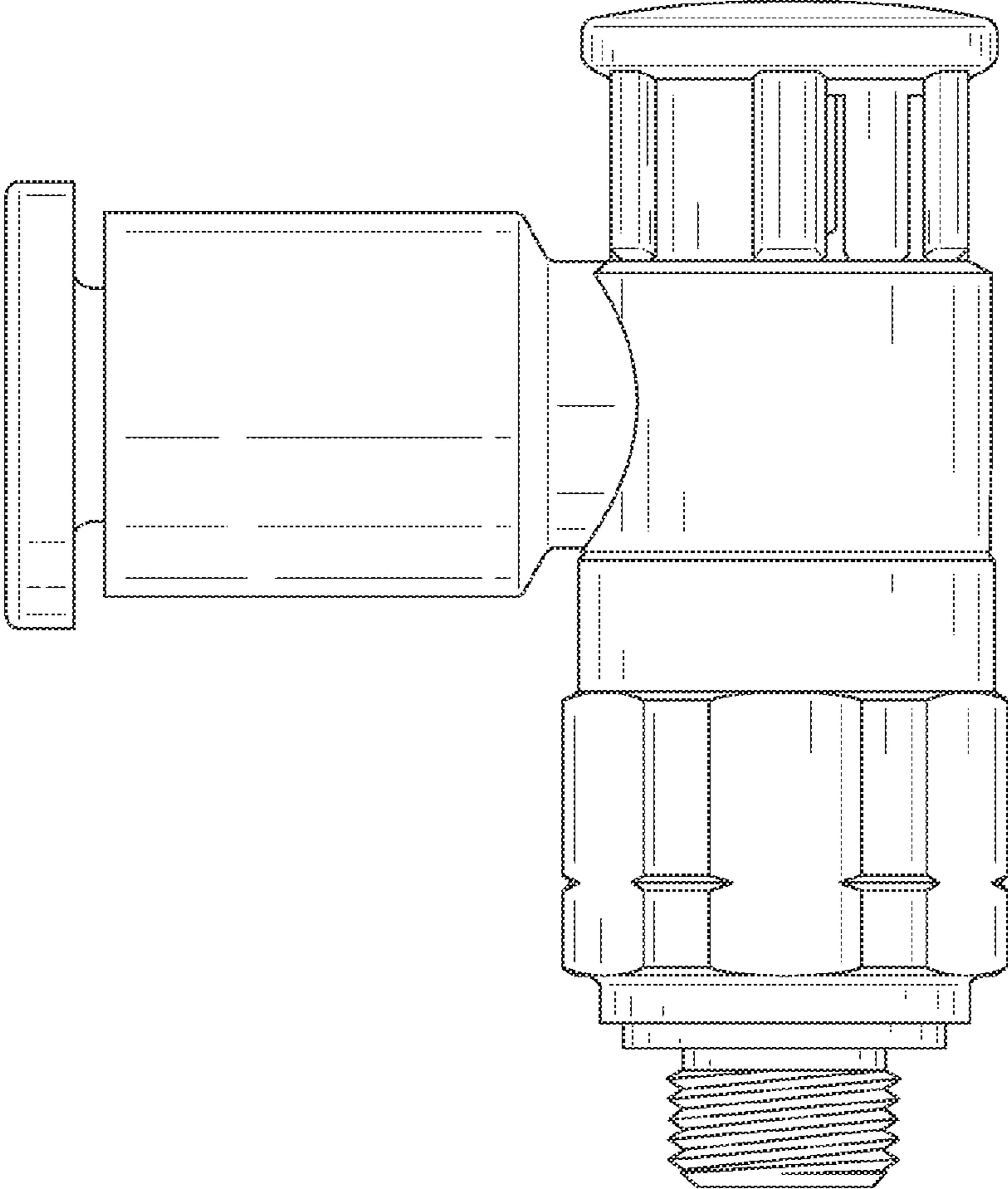


FIG. 2

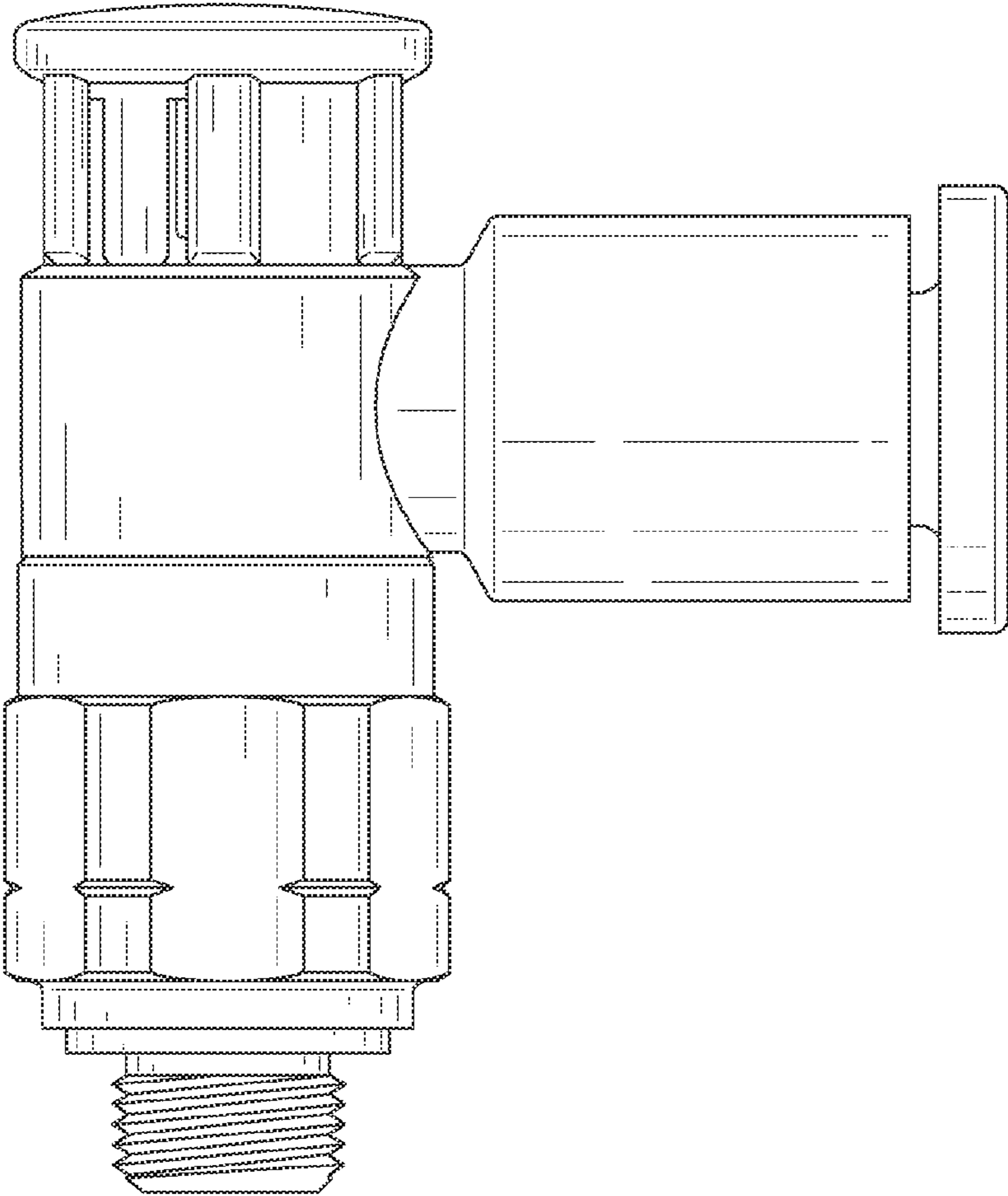


FIG. 3

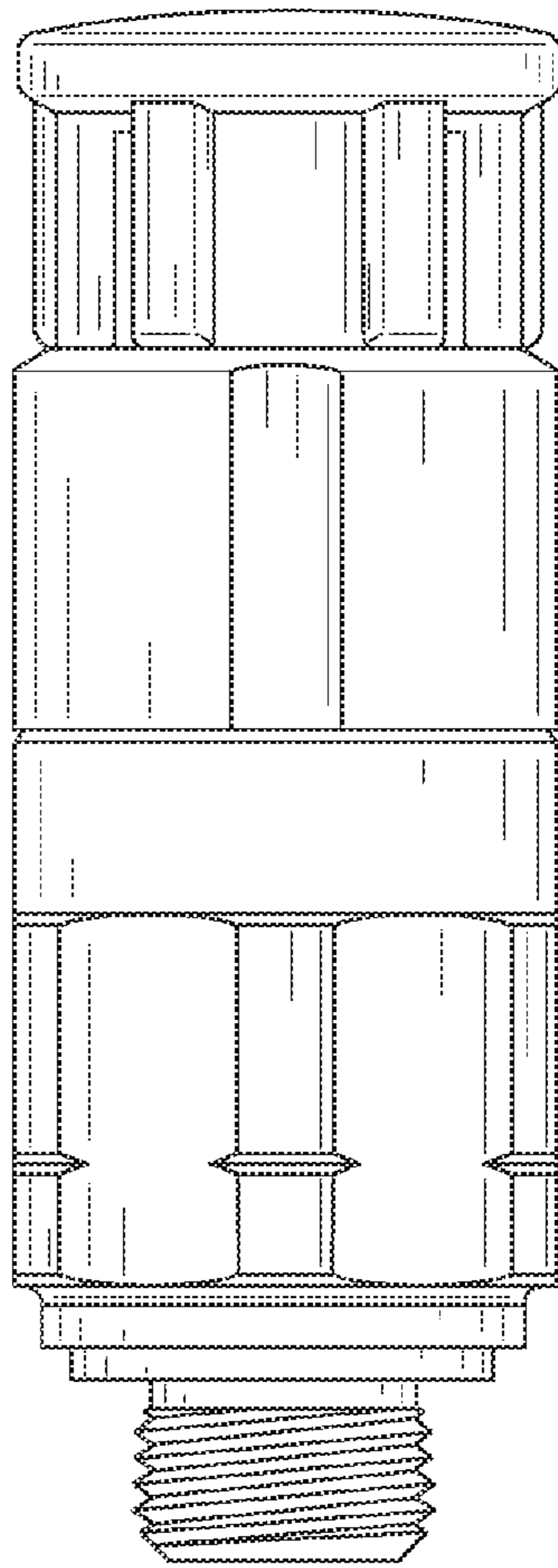


FIG. 4

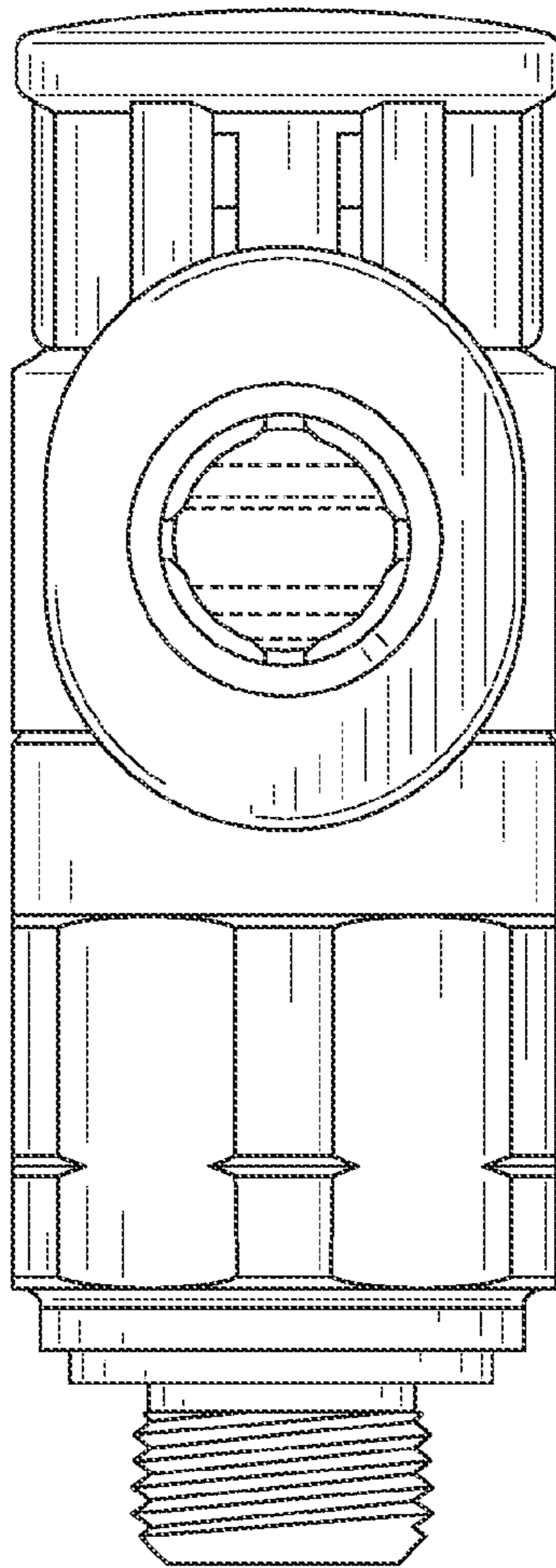


FIG. 5

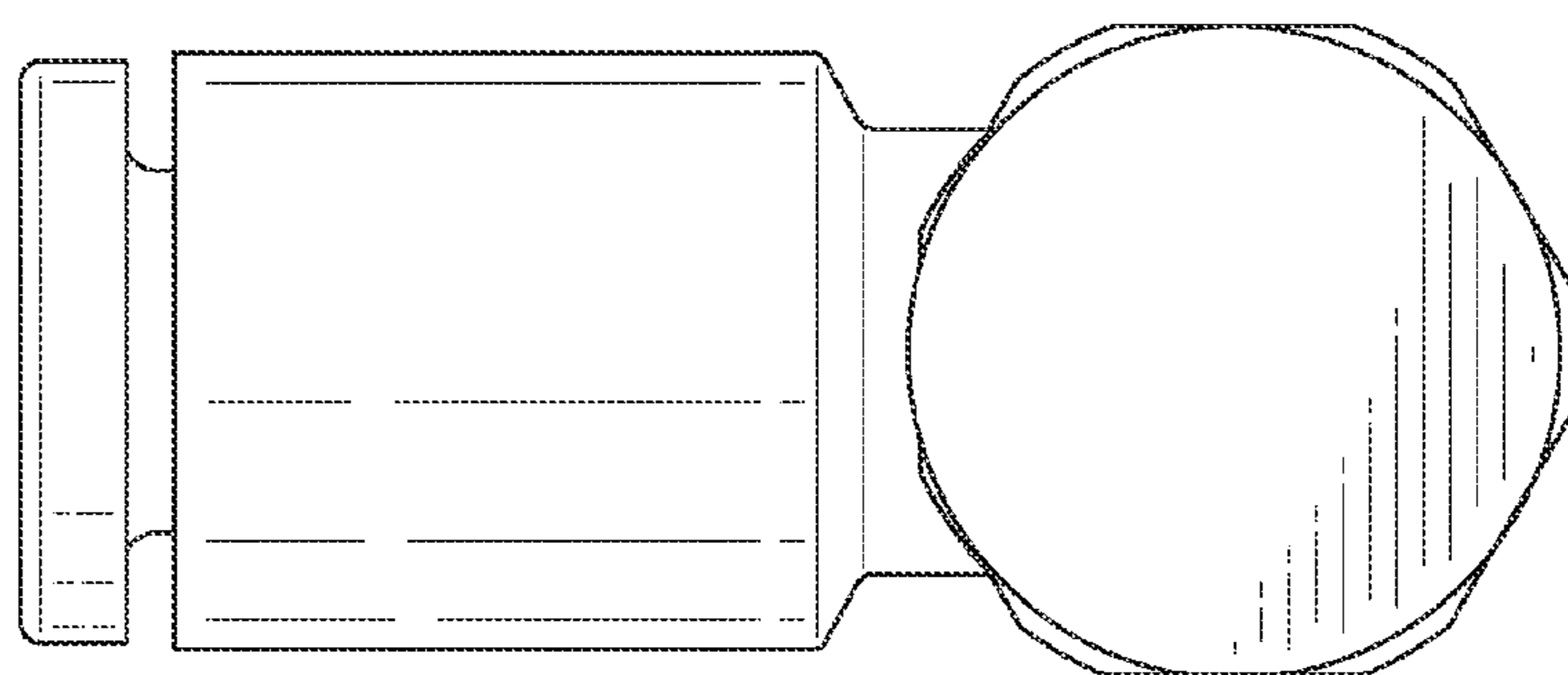


FIG. 6

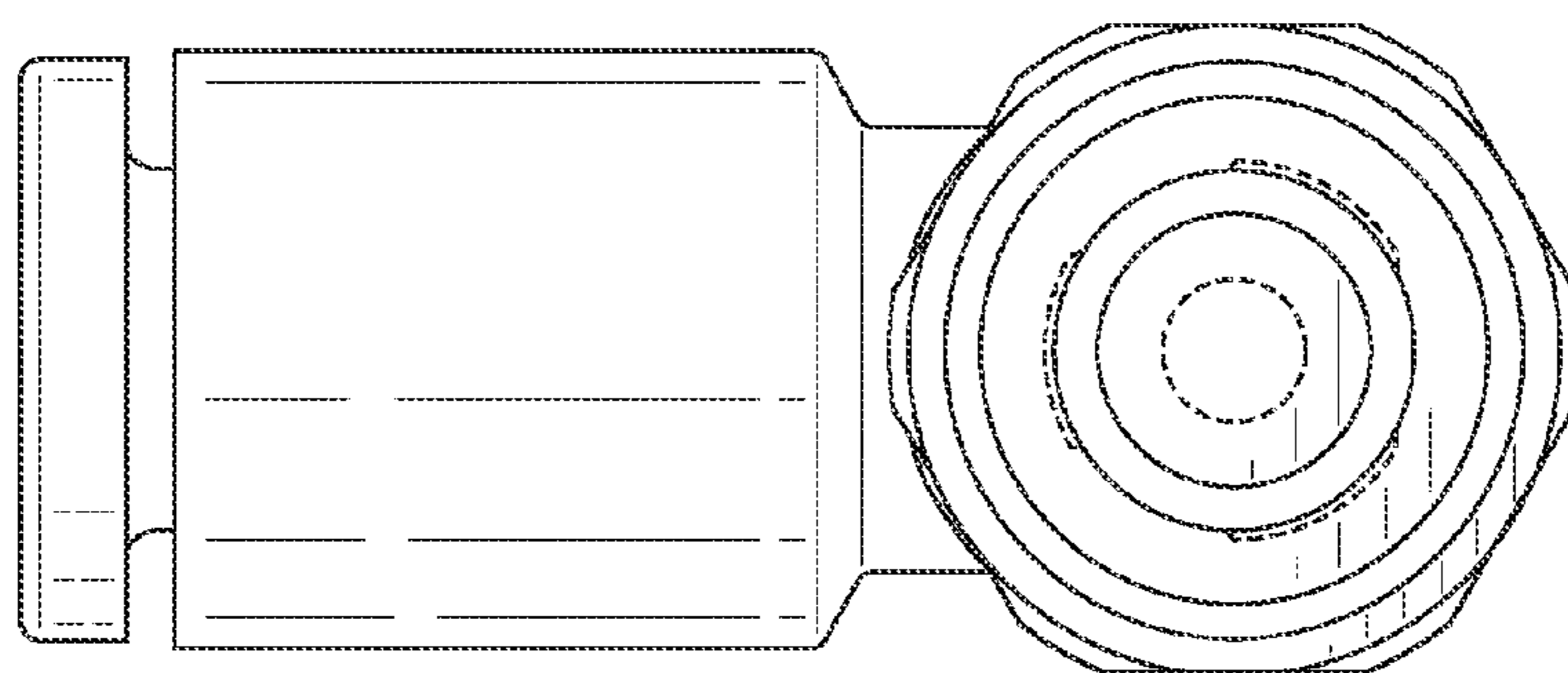


FIG. 7

