

US00D667929S

(12) **United States Design Patent**  
**Cutler et al.**

(10) **Patent No.:** **US D667,929 S**  
(45) **Date of Patent:** **\*\* Sep. 25, 2012**

(54) **SHOWERHEAD**

(75) Inventors: **Kyle Cutler**, Far Hills, NJ (US);  
**Qingshuang Li**, Xiamen (CN); **Mengshi Guo**, Xiamen (CN); **Boqing Wu**, Xiamen (CN)

(73) Assignee: **Niagara Conservation Corp.**, Cedar Knolls, NJ (US)

(\*\*) Term: **14 Years**

(21) Appl. No.: **29/406,731**

(22) Filed: **Nov. 18, 2011**

(51) **LOC (9) Cl.** ..... **23-01**

(52) **U.S. Cl.** ..... **D23/223**

(58) **Field of Classification Search** ..... D23/213,  
D23/223, 229, 230; 239/282, 283, 462, 394;  
4/615

See application file for complete search history.

(56) **References Cited**

U.S. PATENT DOCUMENTS

D560,753	S	*	1/2008	Chung	.....	D23/223
D562,942	S	*	2/2008	Pan	.....	D23/223
D578,606	S	*	10/2008	Wu et al.	.....	D23/223
D609,777	S	*	2/2010	Wu et al.	.....	D23/223

D610,228	S	*	2/2010	Wu et al.	.....	D23/223
D610,229	S	*	2/2010	Wu et al.	.....	D23/223
D621,908	S	*	8/2010	Yoo et al.	.....	D23/223

\* cited by examiner

*Primary Examiner* — Robin V Webster

(74) *Attorney, Agent, or Firm* — Lerner, David, Littenberg, Krumholz & Mentlik, LLP

(57) **CLAIM**

We claim the ornamental design for a showerhead, as shown and described.

**DESCRIPTION**

FIG. 1 is a left side perspective view of a showerhead in accordance with the present invention;  
FIG. 2 is a front elevational view of the showerhead in accordance with the present invention;  
FIG. 3 is a right side elevational view of the showerhead in accordance with the present invention, with the left side elevational view being the mirror image thereof; and  
FIG. 4 is a back elevational view of the showerhead in accordance with the present invention;  
FIG. 5 is a top elevational view of the showerhead in accordance with the present invention; and,  
FIG. 6 is a bottom elevational view of the showerhead in accordance with the present invention.

**1 Claim, 5 Drawing Sheets**

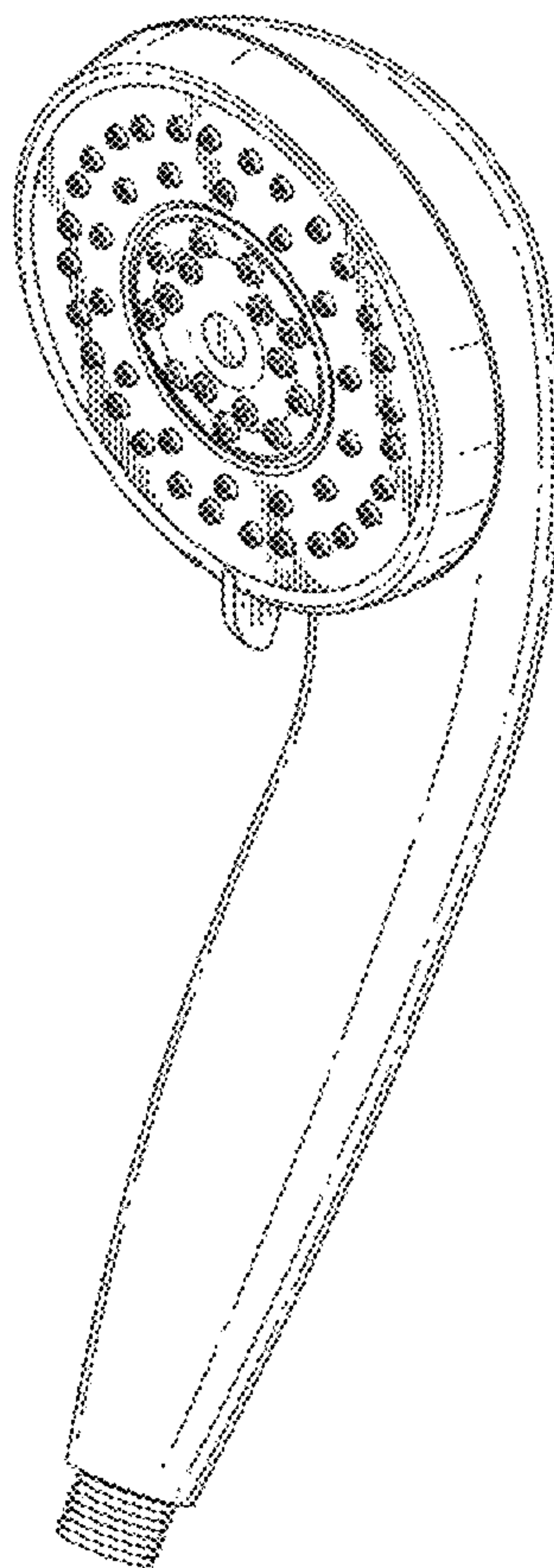


FIG. 1

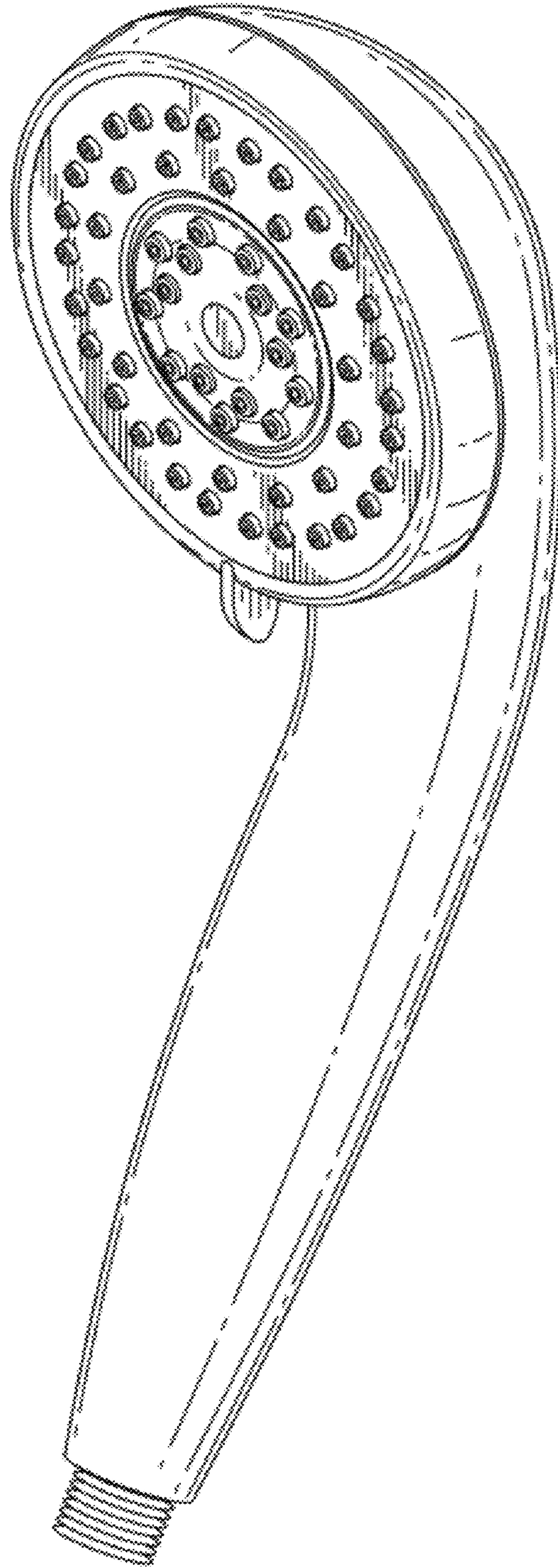




FIG. 2

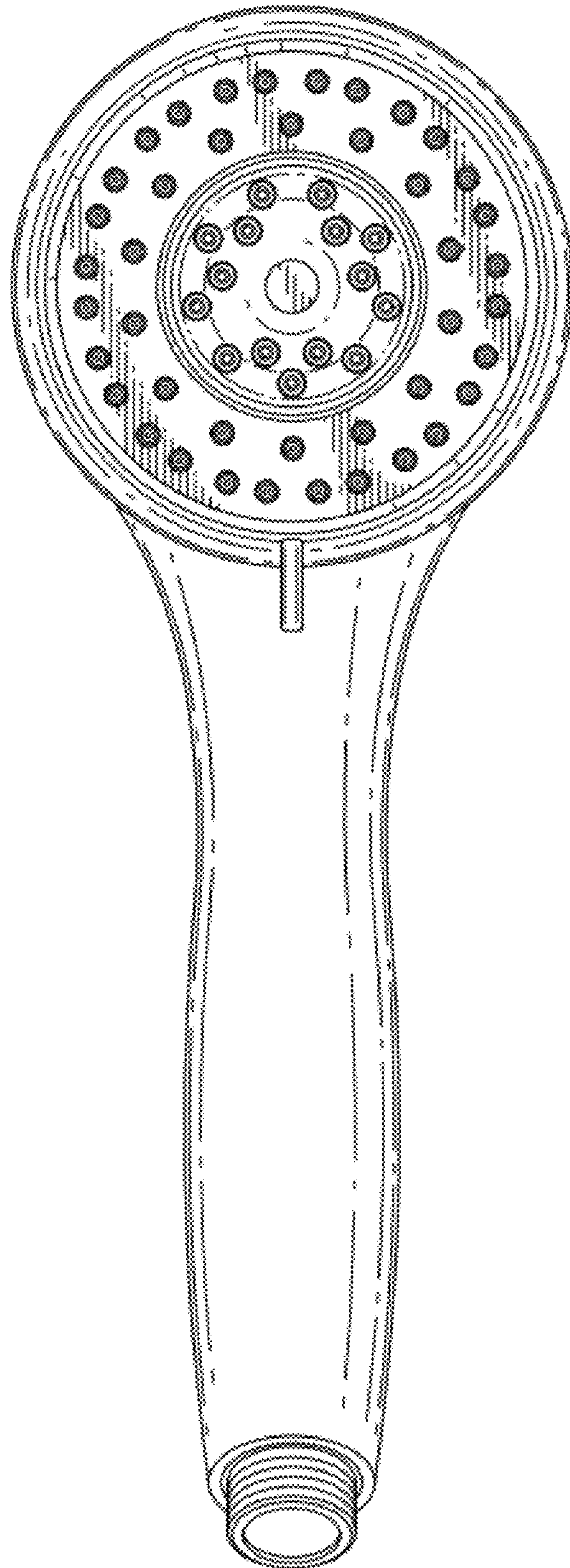


FIG. 3

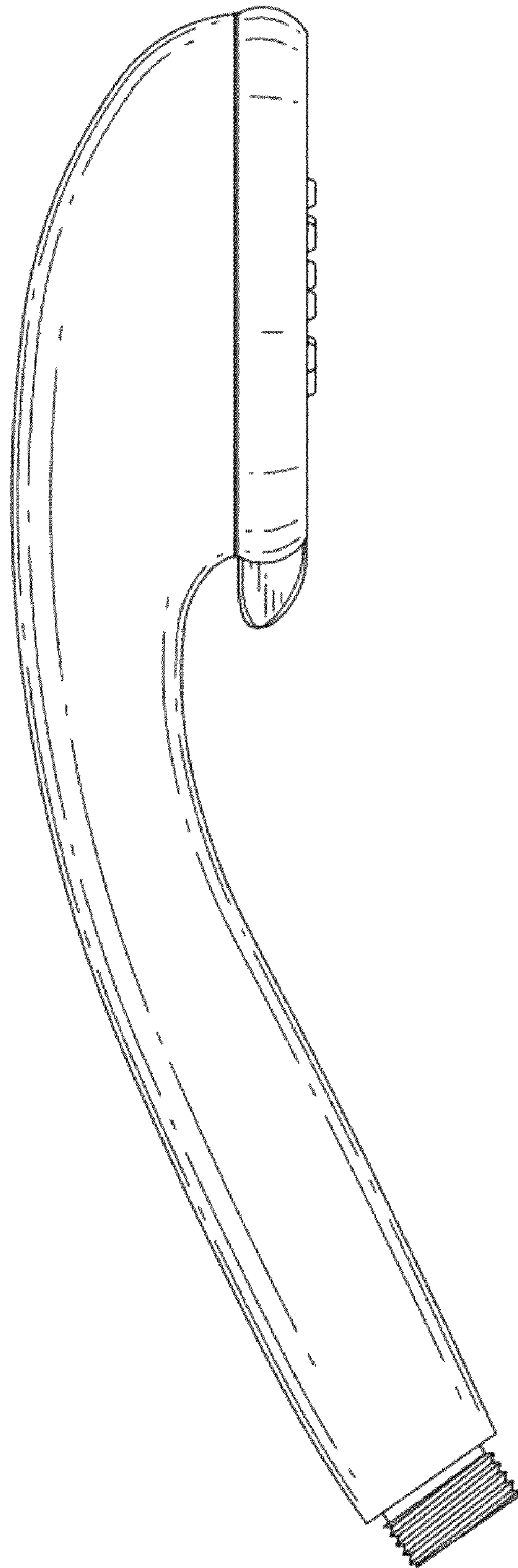


FIG. 4

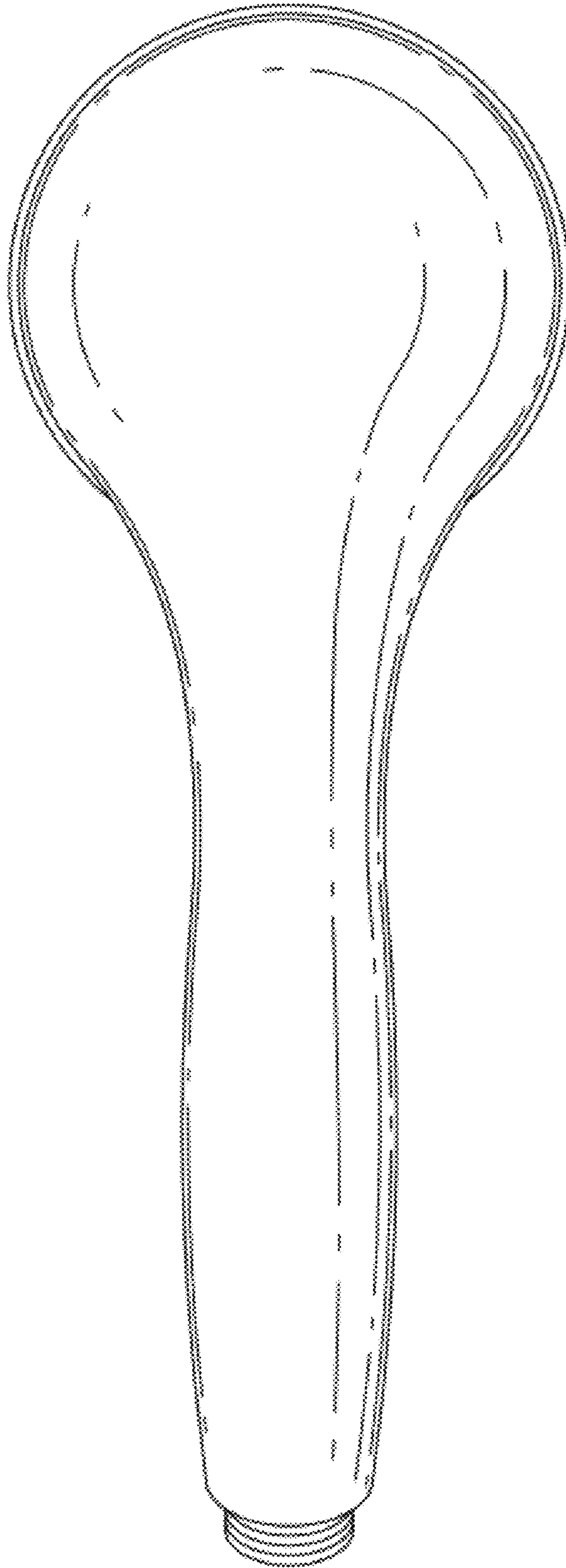


FIG. 5

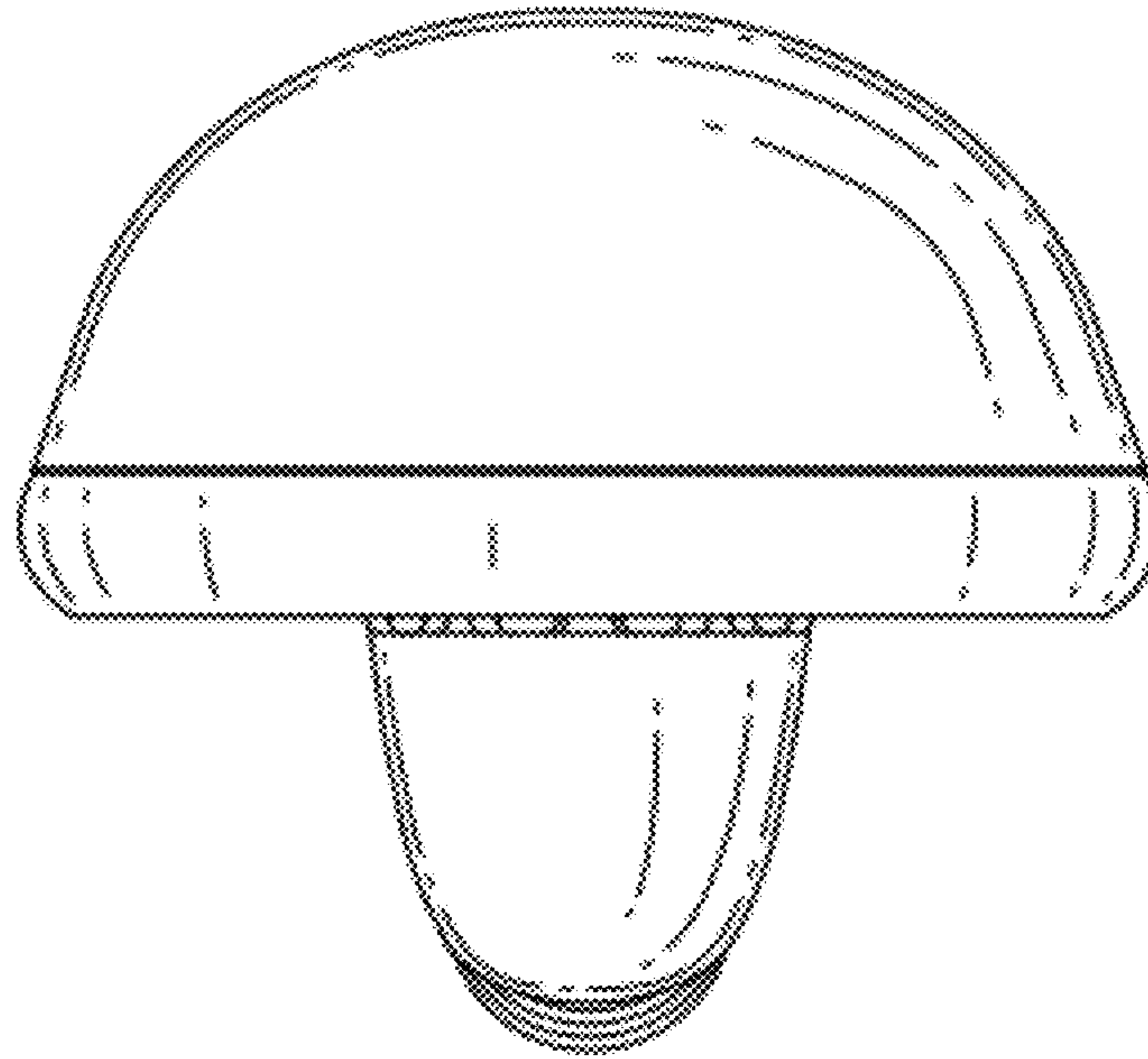


FIG. 6

