



US00D667928S

(12) **United States Design Patent**
Cutler et al.

(10) **Patent No.:** **US D667,928 S**

(45) **Date of Patent:** **** Sep. 25, 2012**

(54) **SHOWERHEAD**

(75) Inventors: **Kyle Cutler**, Far Hills, NJ (US);
Qingshuang Li, Xiamen (CN); **Mengshi Guo**, Xiamen (CN); **Boqing Wu**, Xiamen (CN)

(73) Assignee: **Niagara Conservation Corp.**, Cedar Knolls, NJ (US)

(**) Term: **14 Years**

(21) Appl. No.: **29/406,179**

(22) Filed: **Nov. 10, 2011**

(51) **LOC (9) Cl.** **23-01**

(52) **U.S. Cl.** **D23/223**

(58) **Field of Classification Search** D23/213,
D23/223, 229, 230; 239/282, 283, 462, 394;
4/615

See application file for complete search history.

(56) **References Cited**

U.S. PATENT DOCUMENTS

D560,753 S *	1/2008	Chung	D23/223
D562,942 S *	2/2008	Pan	D23/223
D578,606 S *	10/2008	Wu et al.	D23/223
D609,777 S *	2/2010	Wu et al.	D23/223
D610,228 S *	2/2010	Wu et al.	D23/223
D610,229 S *	2/2010	Wu et al.	D23/223
D621,908 S *	8/2010	Yoo et al.	D23/223

* cited by examiner

Primary Examiner — Robin V Webster

(74) *Attorney, Agent, or Firm* — Lerner, David, Littenberg, Krumholz & Mentlik, LLP

(57) **CLAIM**

We claim the ornamental design for a showerhead, as shown and described.

DESCRIPTION

FIG. 1 is a left side perspective view of a showerhead in accordance with the present invention;
FIG. 2 is a front elevational view of the showerhead in accordance with the present invention;
FIG. 3 is a right side elevational view of the showerhead in accordance with the present invention, with the left side elevational view being the mirror image thereof; and
FIG. 4 is a back elevational view of the showerhead in accordance with the present invention;
FIG. 5 is a top elevational view of the showerhead in accordance with the present invention; and,
FIG. 6 is a bottom elevational view of the showerhead in accordance with the present invention.
The broken line showing in FIG. 6 is included for the purpose of illustrating and forms no part of the claimed design.

1 Claim, 5 Drawing Sheets

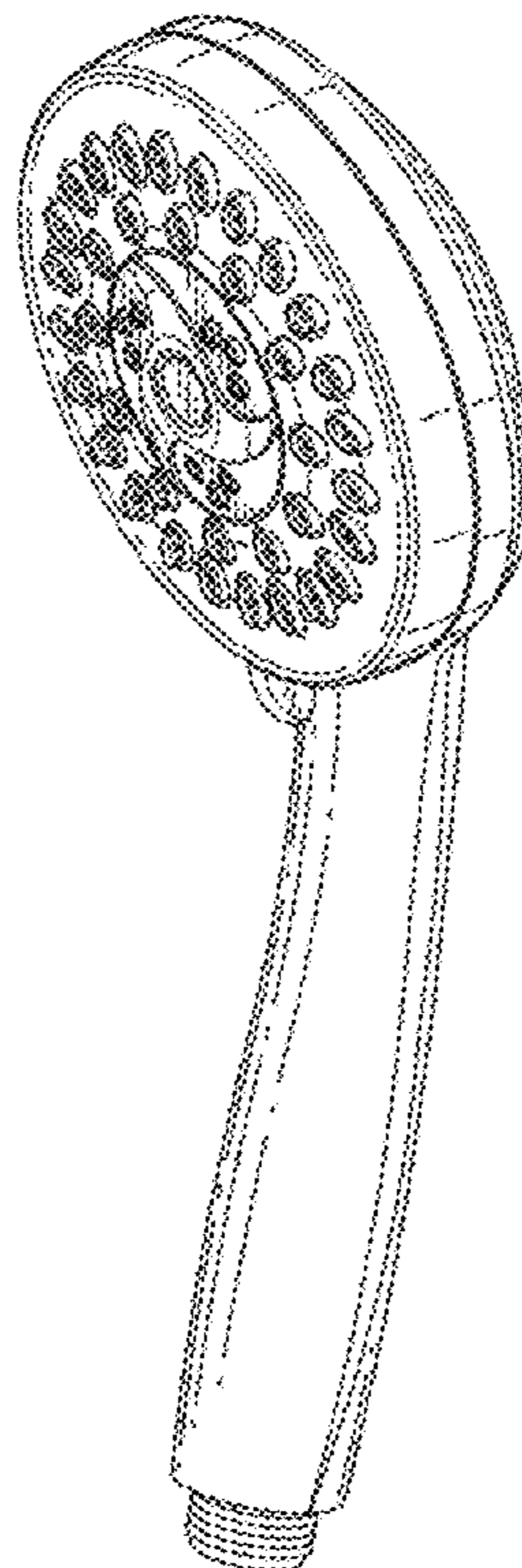


FIG. 1

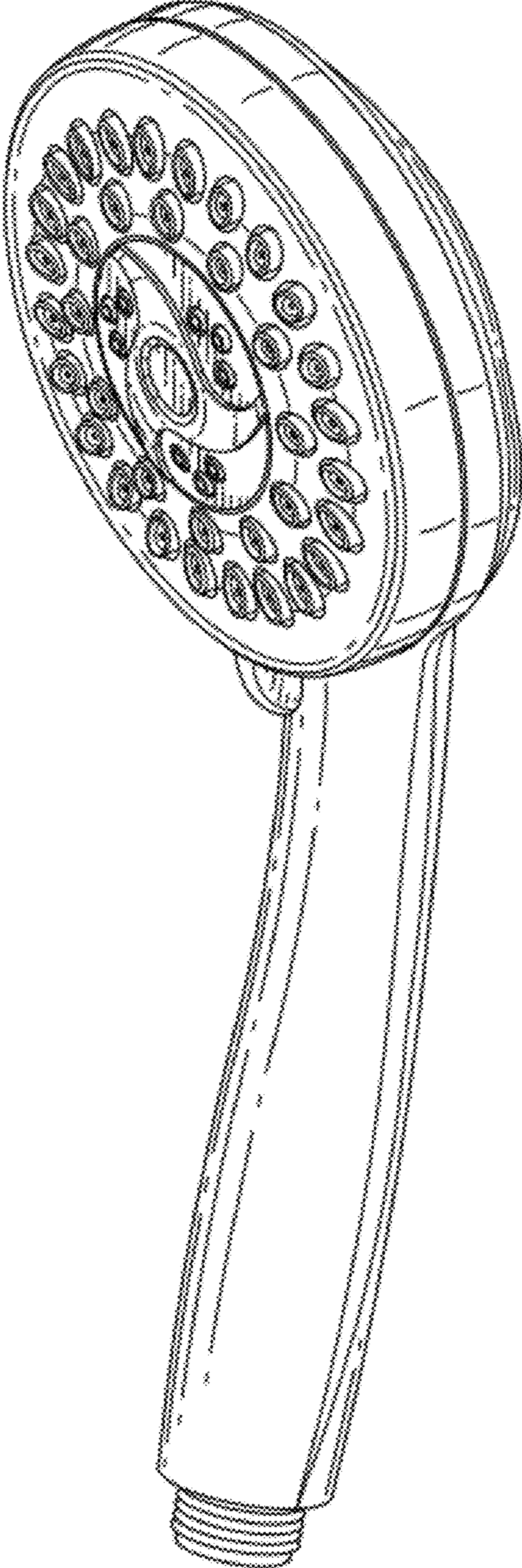


FIG. 2

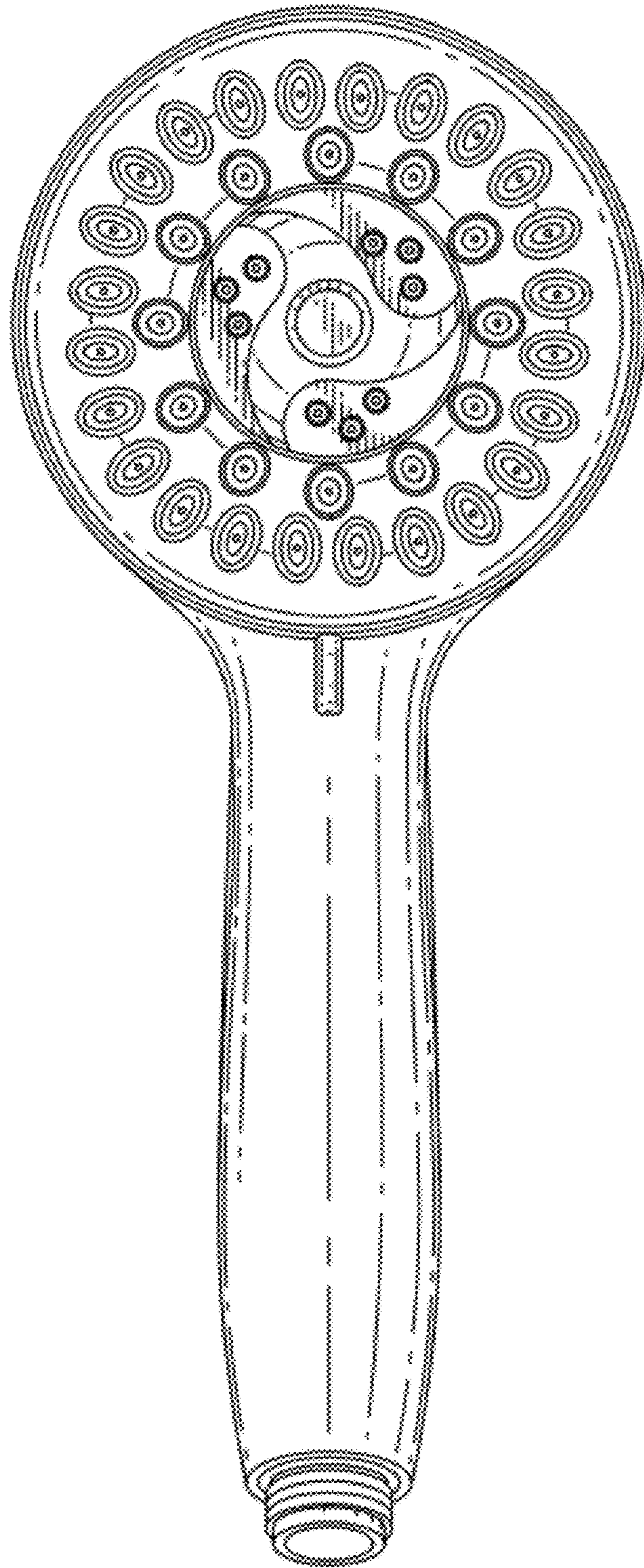


FIG. 3

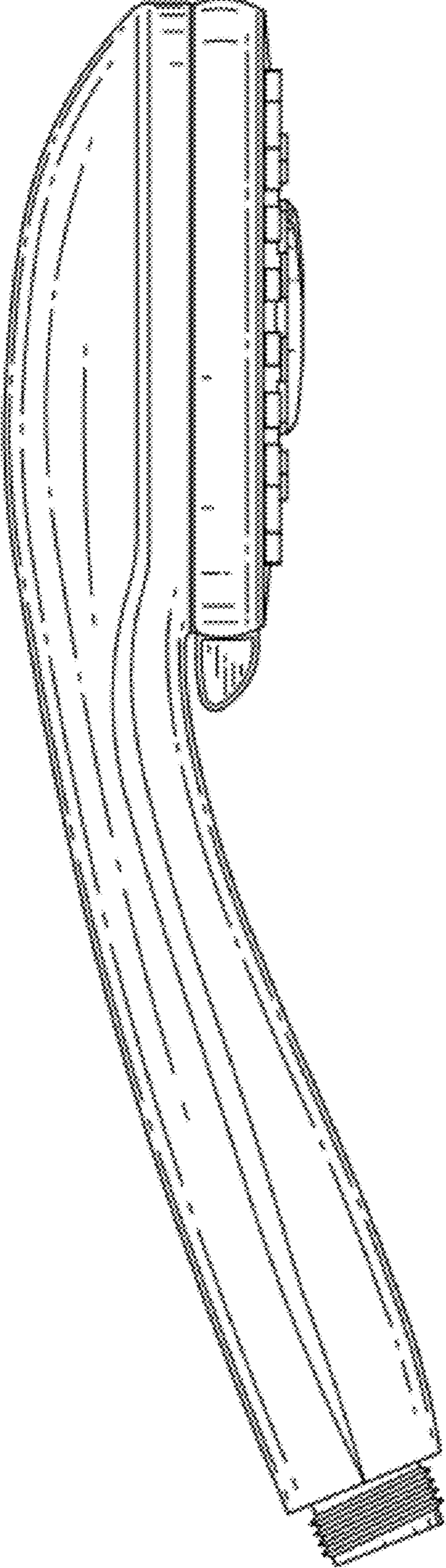


FIG. 4

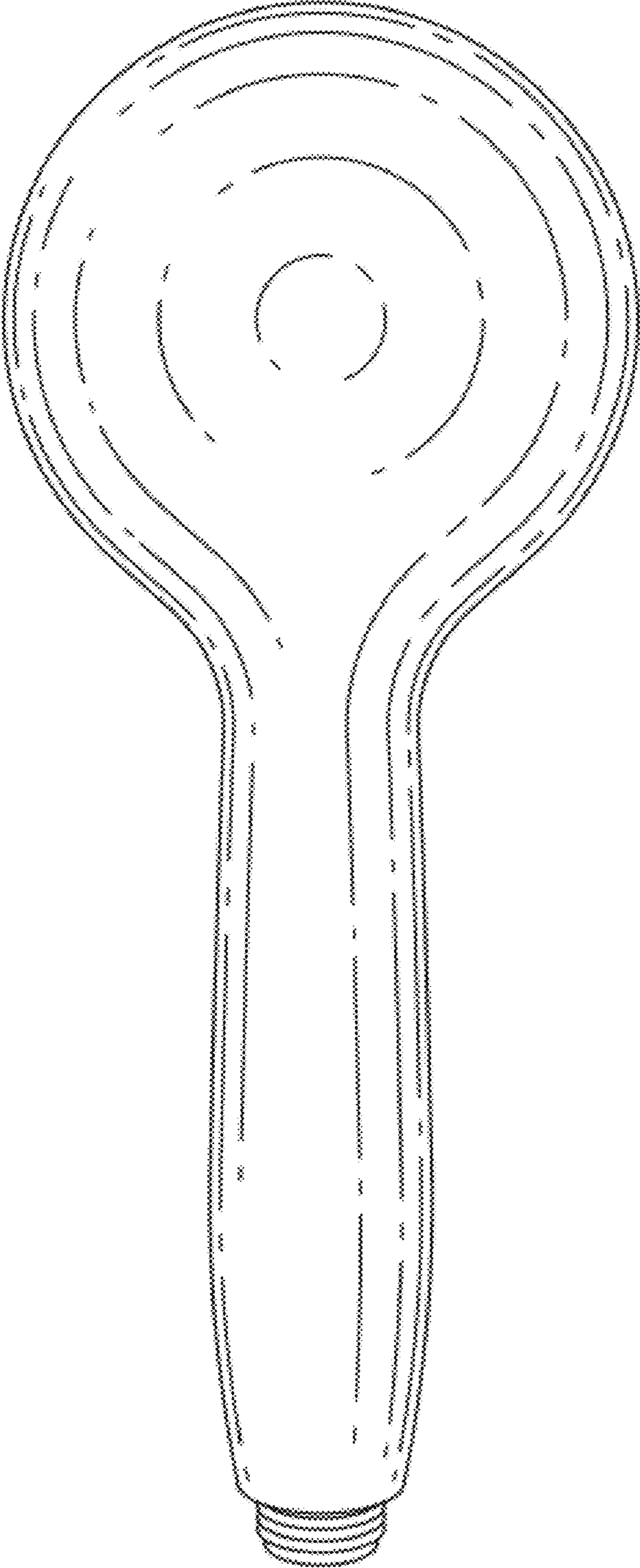


FIG. 5

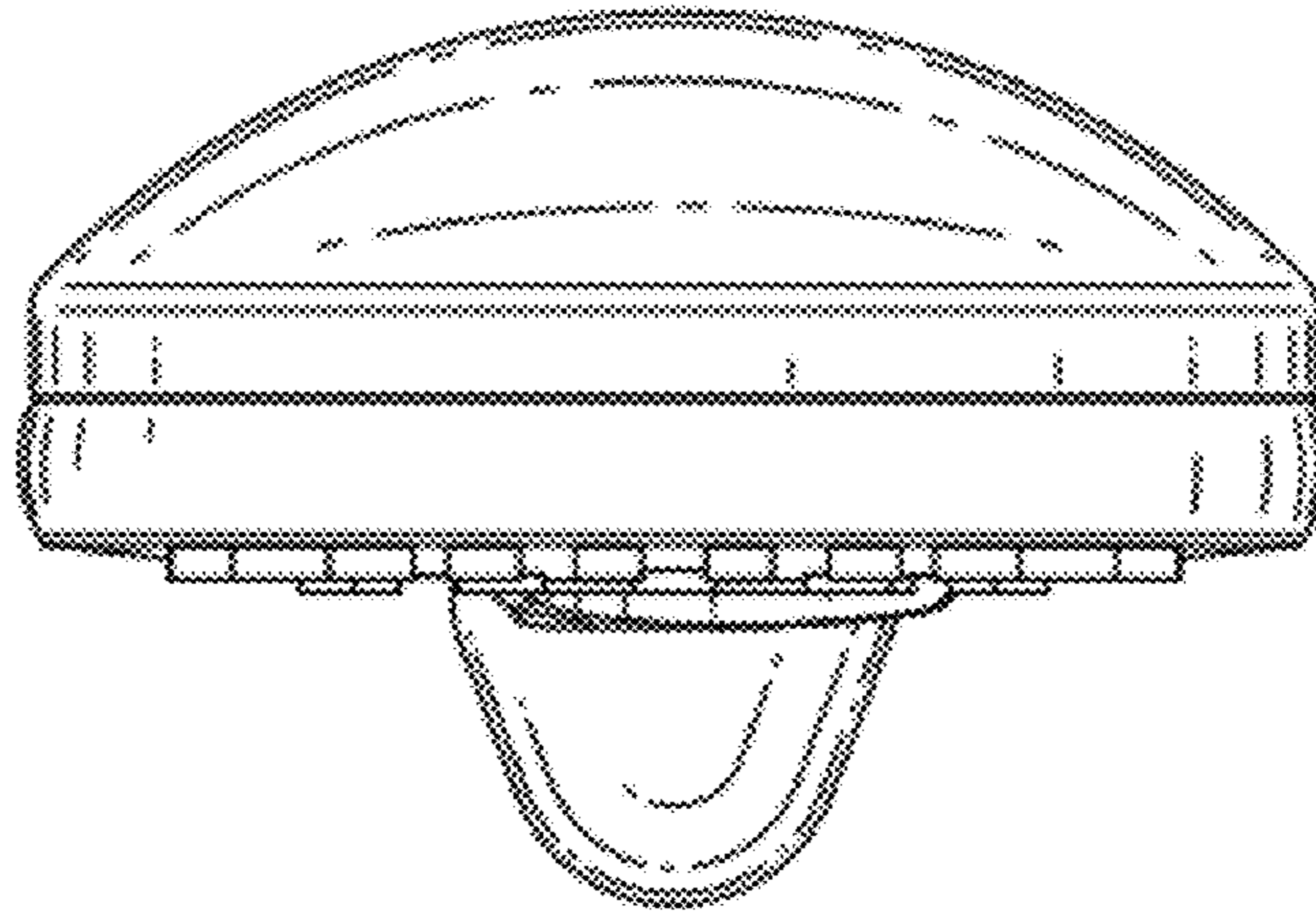


FIG. 6

