



US00D667927S

(12) **United States Design Patent**
Linginfelter

(10) **Patent No.:** **US D667,927 S**

(45) **Date of Patent:** **** Sep. 25, 2012**

(54) **SHOWERHEAD**

(75) Inventor: **Sara Linginfelter**, Indianapolis, IN (US)

(73) Assignee: **Masco Corporation of Indiana**,
Indianapolis, IN (US)

(**) Term: **14 Years**

(21) Appl. No.: **29/411,736**

(22) Filed: **Jan. 25, 2012**

(51) **LOC (9) Cl.** **23-01**

(52) **U.S. Cl.** **D23/213; D23/229**

(58) **Field of Classification Search** D23/213,
D23/229, 230; 4/615; 239/282, 283
See application file for complete search history.

(56) **References Cited**

U.S. PATENT DOCUMENTS

D559,953 S *	1/2008	Bickler et al.	D23/229
D590,913 S *	4/2009	Smith et al.	D23/213
D605,249 S *	12/2009	Bailey	D23/213
D652,482 S *	1/2012	Obara et al.	D23/213

* cited by examiner

Primary Examiner — Robin V Webster

(74) *Attorney, Agent, or Firm* — Edgar A. Zarins; Nirav D. Parikh; Lora J. Graentzdoerffer

(57) **CLAIM**

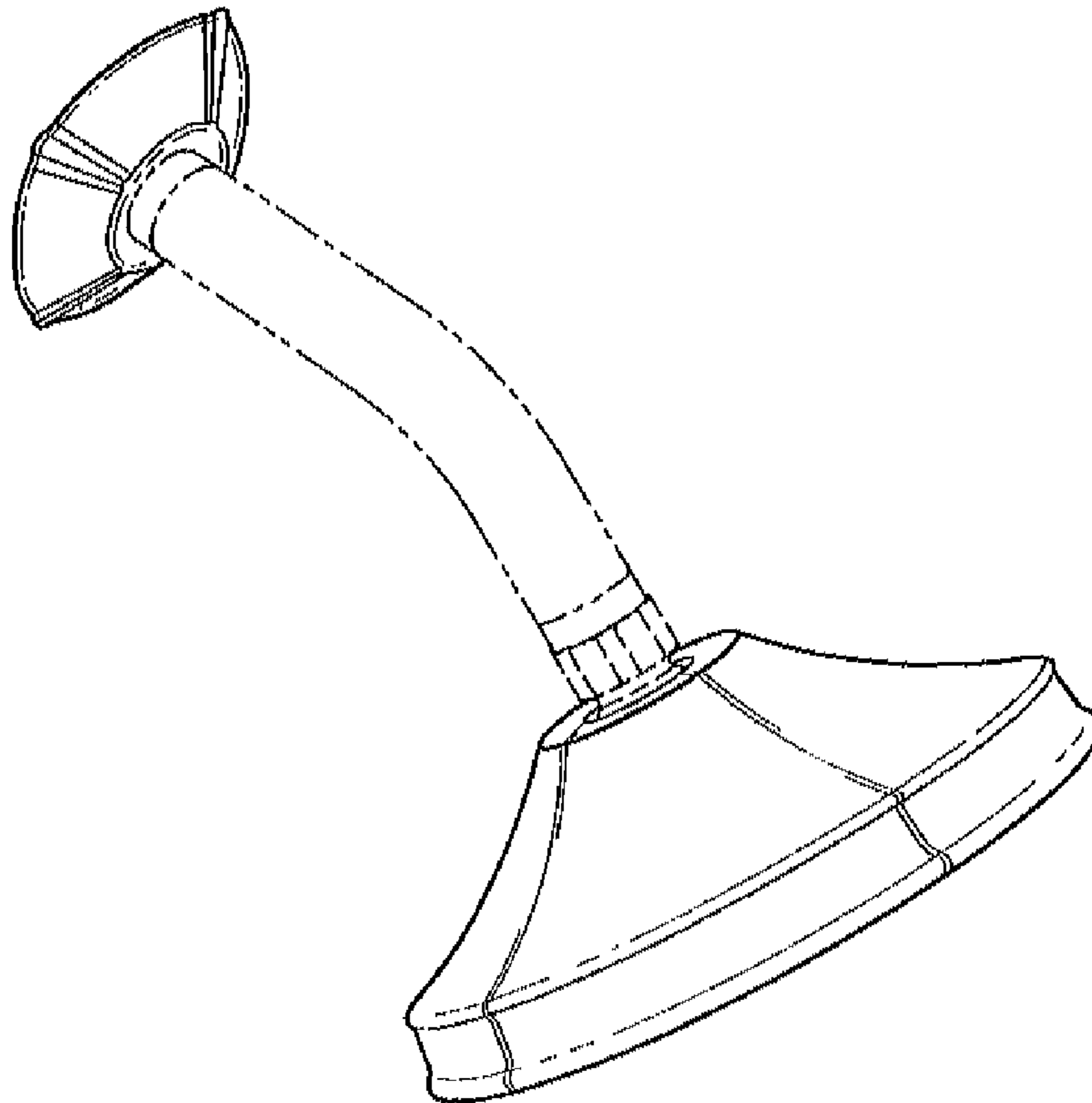
The ornamental design for a showerhead, as shown and described.

DESCRIPTION

FIG. 1 is a perspective view of a showerhead showing my new design;
FIG. 2 is a right side view thereof;
FIG. 3 is a left side view thereof;
FIG. 4 is a top plan view thereof;
FIG. 5 is a front elevational view thereof; and,
FIG. 6 is a bottom view thereof.

The broken line showing of a shower arm is included for the purpose of illustrating and forms no part of the claimed design.

1 Claim, 2 Drawing Sheets



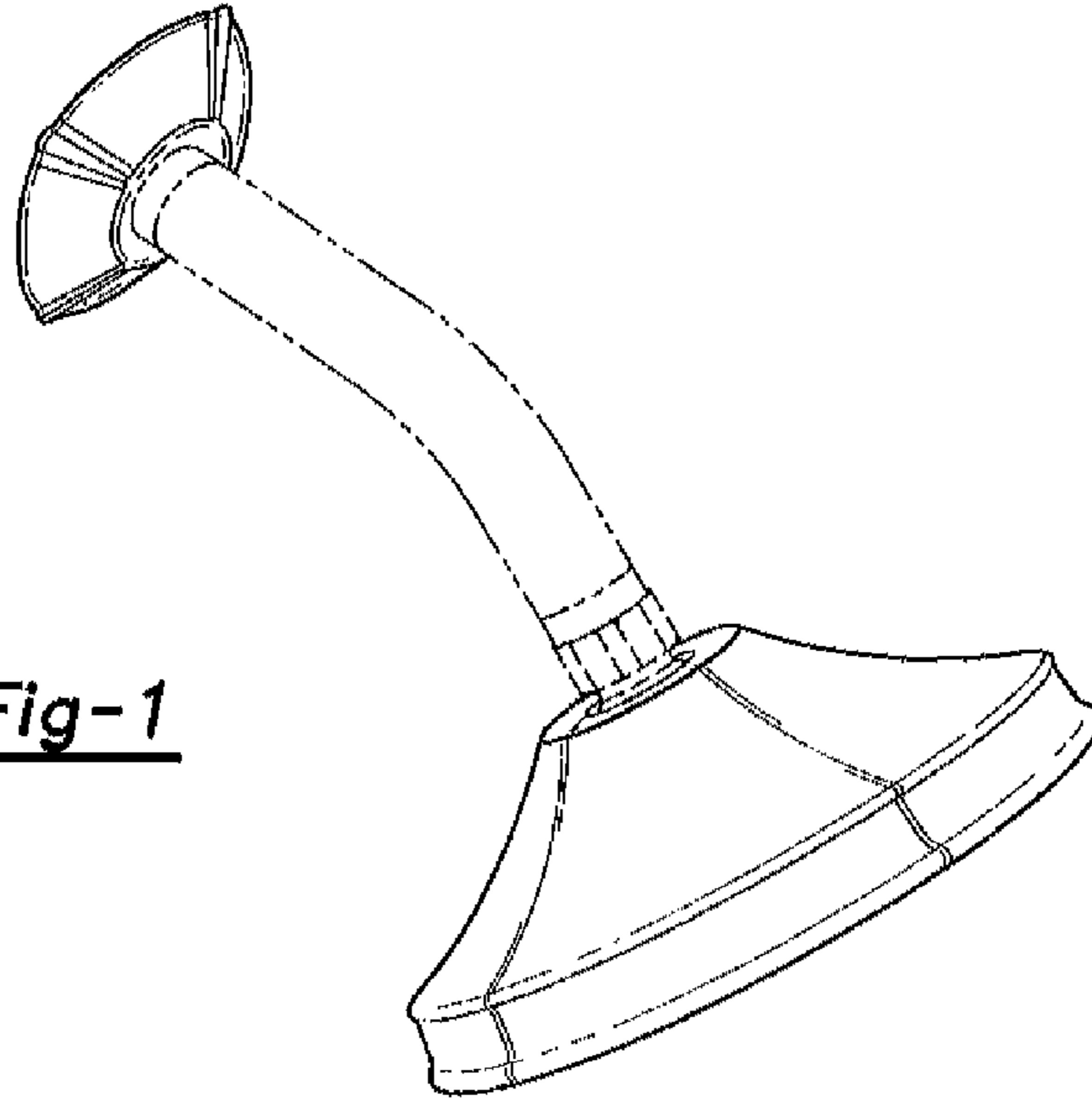


Fig-1

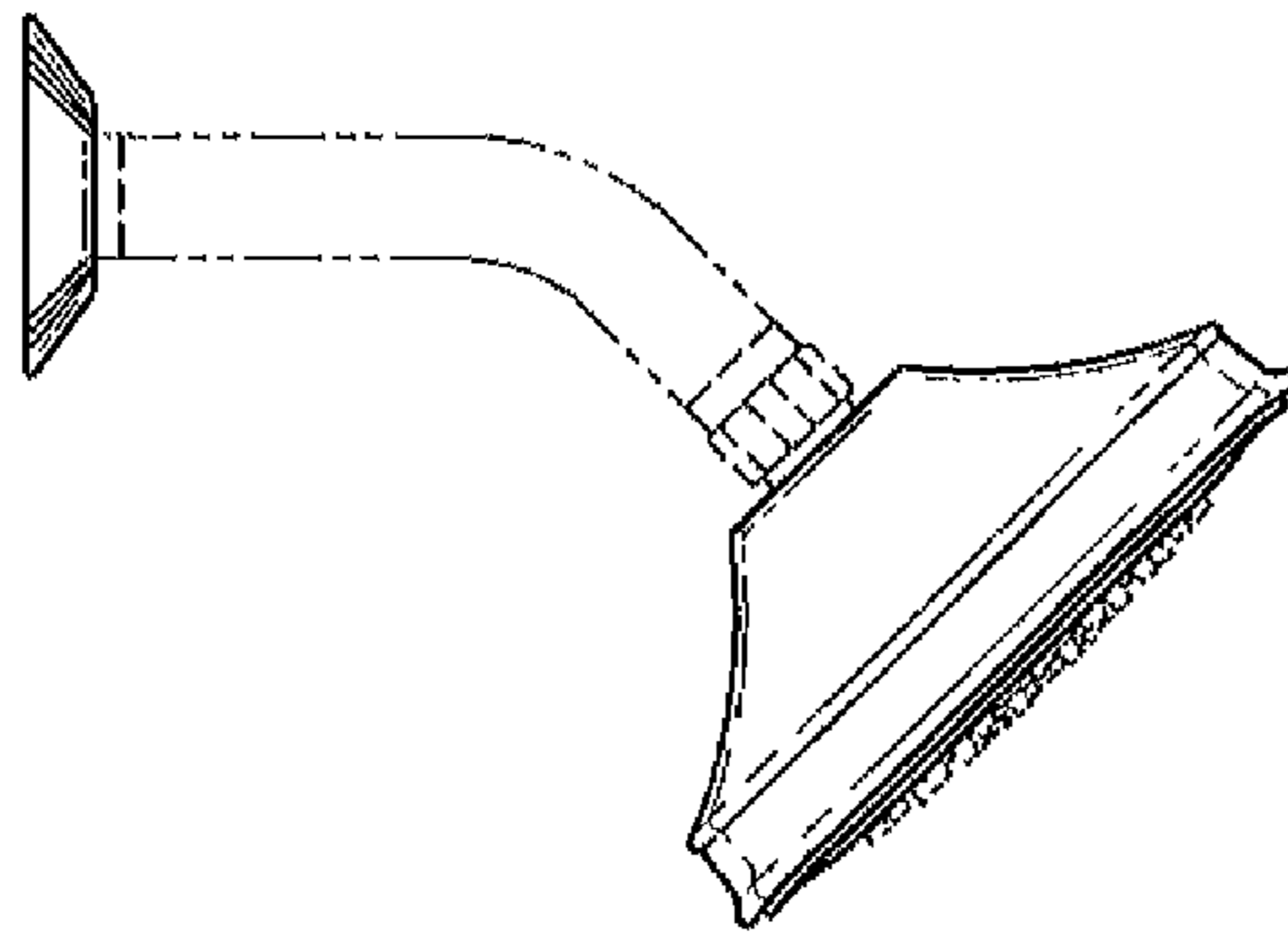


Fig-2

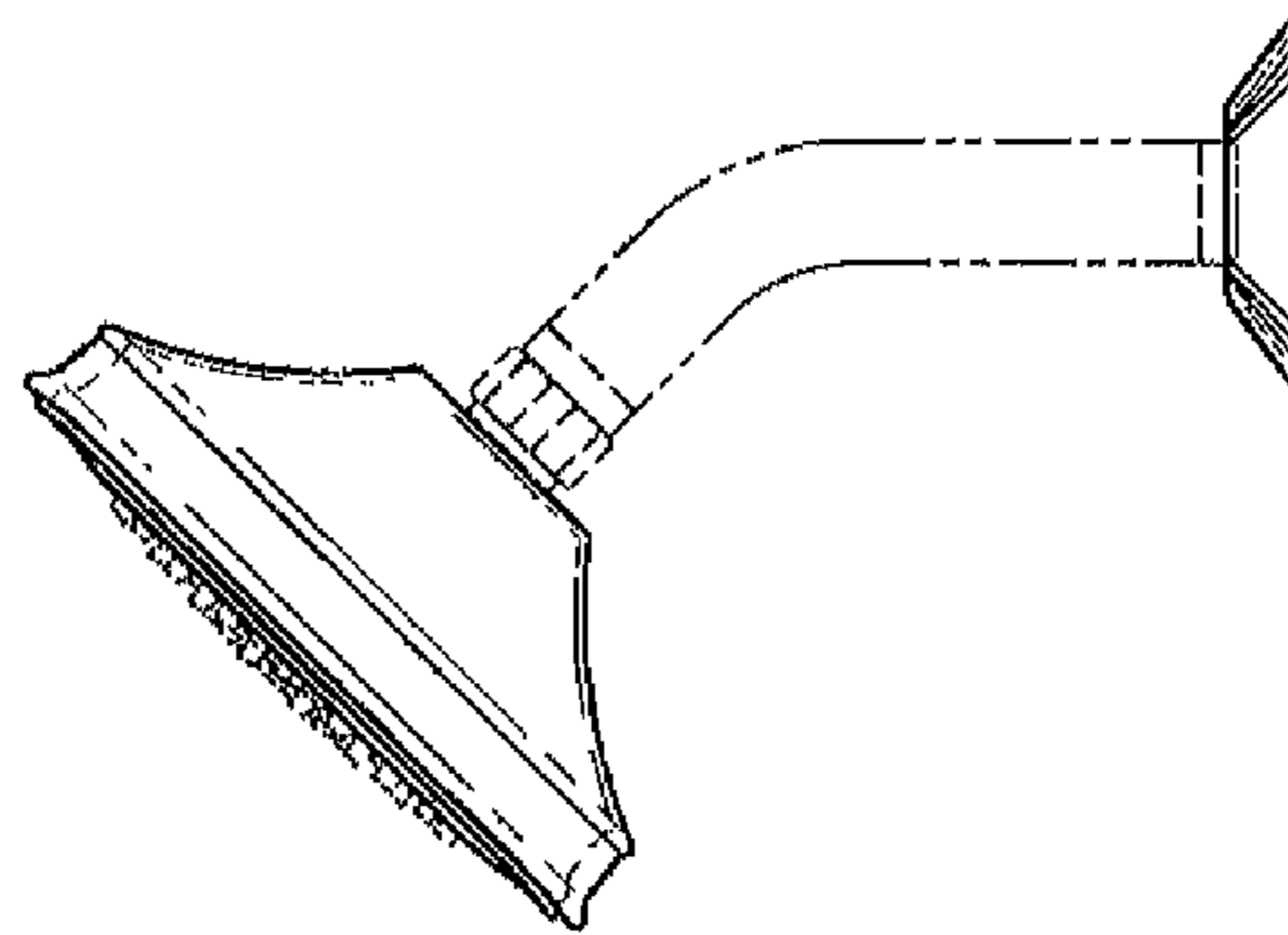


Fig-3

Fig-4

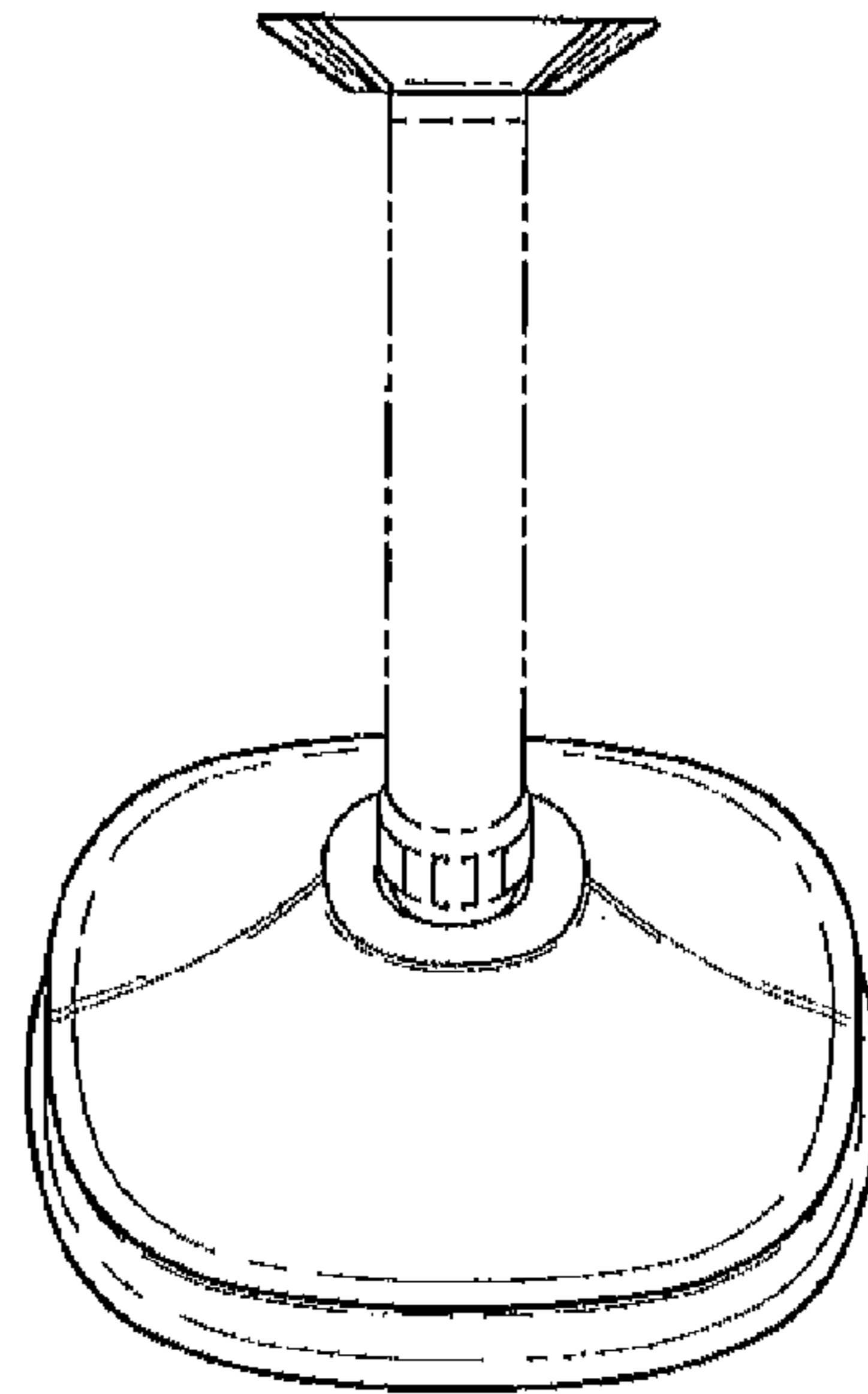


Fig-5

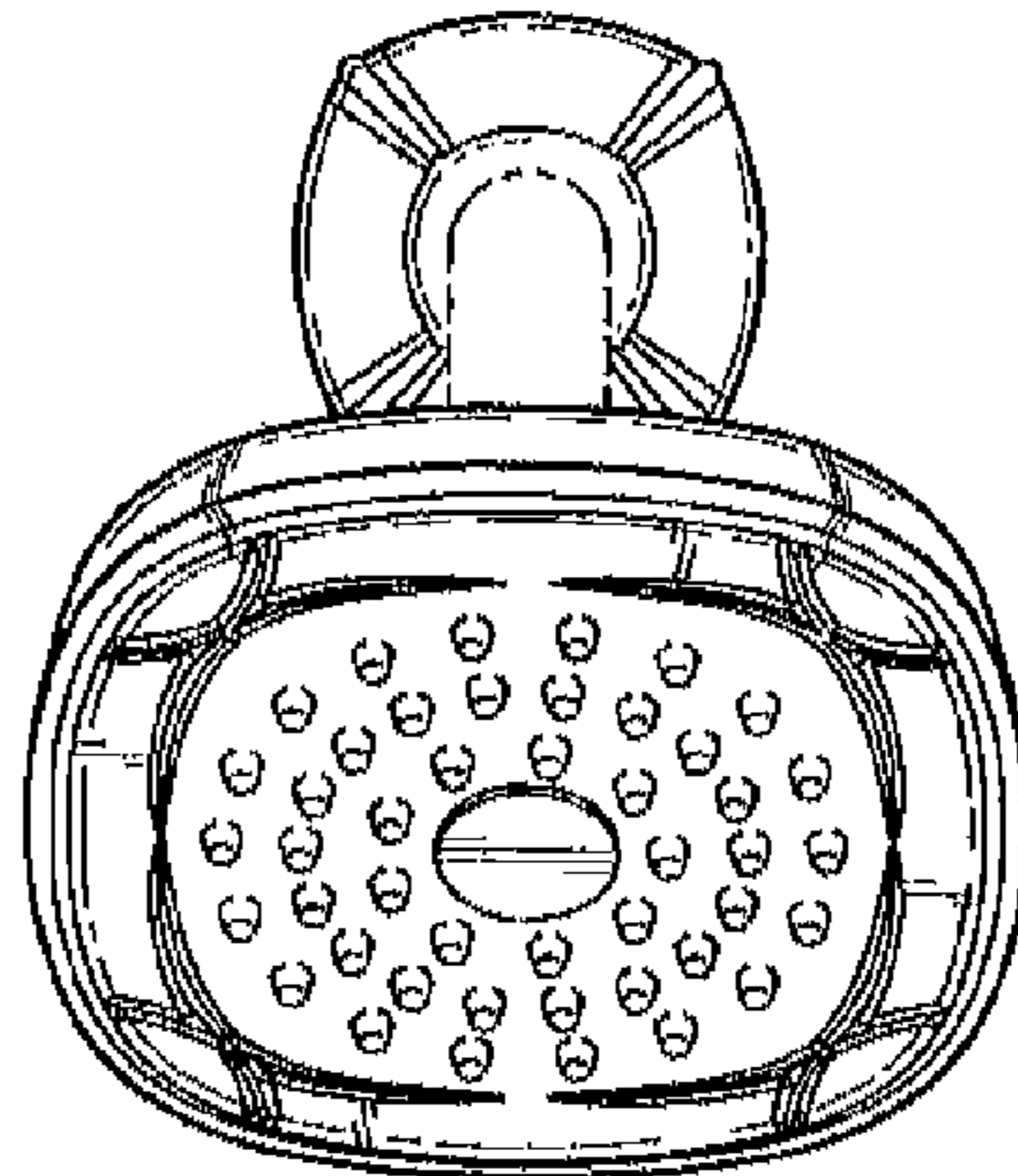


Fig-6

