



US00D667925S

(12) **United States Design Patent**
Farley

(10) **Patent No.:** **US D667,925 S**

(45) **Date of Patent:** **** Sep. 25, 2012**

(54) **IN-LINE SHOWER FILTER**

(76) Inventor: **David A. Farley**, Corona, CA (US)

(**) Term: **14 Years**

(21) Appl. No.: **29/408,003**

(22) Filed: **Dec. 6, 2011**

(51) **LOC (9) Cl.** **23-01**

(52) **U.S. Cl.** **D23/209**

(58) **Field of Classification Search** D23/228,
D23/207, 209; 210/446-449

See application file for complete search history.

(56) **References Cited**

U.S. PATENT DOCUMENTS

D255,045	S	5/1980	Kronsbein	
D316,136	S	4/1991	Underwood	
5,152,464	A	10/1992	Farley	
D361,622	S	8/1995	Farley	
D364,446	S	11/1995	Farley	
5,478,467	A	12/1995	LeMire et al.	
5,503,742	A	4/1996	Farley	
D406,874	S	3/1999	Farley	
D409,718	S	5/1999	Farley	
5,914,043	A	6/1999	Farley	
D417,904	S	* 12/1999	Douglas D23/228
6,016,977	A	1/2000	Farley	
6,056,875	A	5/2000	Farley	
6,096,197	A	8/2000	Hughes	
6,187,187	B1	2/2001	Farley	
6,214,224	B1	4/2001	Farley	
D444,536	S	7/2001	Farley	
D446,841	S	* 8/2001	Silva D23/209
6,270,023	B1	8/2001	Farley	
6,325,930	B2	12/2001	Farley	
D462,108	S	8/2002	Farley	
D463,844	S	10/2002	Farley	
6,537,455	B2	3/2003	Farley	

D483,438	S	12/2003	Farley
RE39,142	E	6/2006	Farley
7,097,122	B1	8/2006	Farley
7,490,372	B2	2/2009	Huang
D599,432	S	9/2009	Buesseler et al.
7,866,576	B1	1/2011	Farley
D638,099	S	5/2011	Farley
D638,515	S	5/2011	Farley
2001/0030154	A1	10/2001	Lehrer et al.
2012/0031511	A1	2/2012	Farley

OTHER PUBLICATIONS

Sprite Industries, Inc., Sprite Product Catalog (on-line), Web Page Address www.spriteshowers.com, Corona, California.

* cited by examiner

Primary Examiner — Robin V Webster

(74) *Attorney, Agent, or Firm* — Stetina Brunda Garred & Brucker

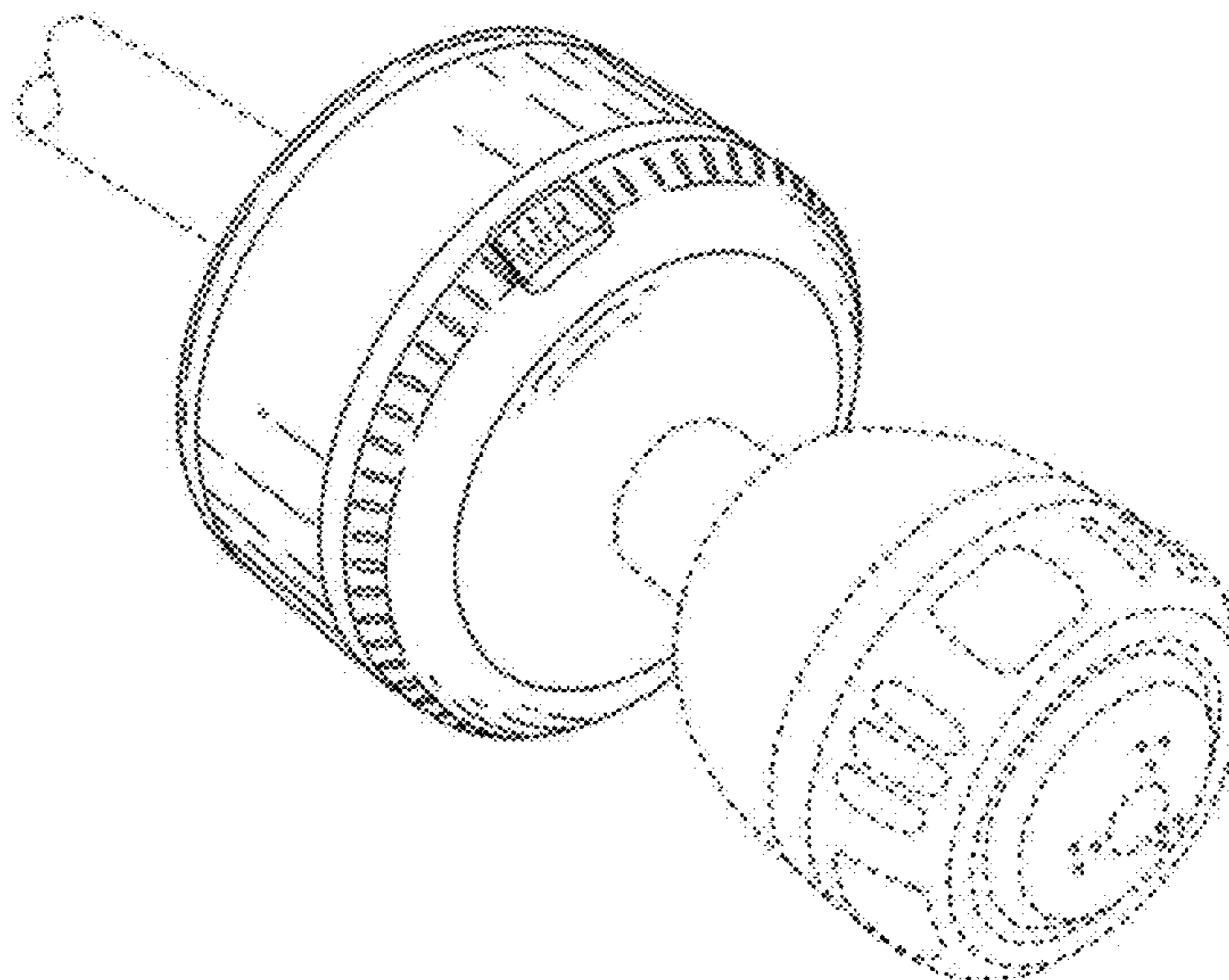
(57) **CLAIM**

The ornamental design for an in-line shower filter, as shown and described.

DESCRIPTION

FIG. 1 is a front perspective view of the invention, connected to a shower arm and shower head;
FIG. 2 is a front view of the invention;
FIG. 3 is a side view of the invention;
FIG. 4 is a rear view of the invention;
FIG. 5 is a top view of the invention; and,
FIG. 6 is a bottom view of the invention.
The broken line showing of the shower arm, shower head and month is included for the purpose of illustrating and forms no part of the claimed design.

1 Claim, 1 Drawing Sheet



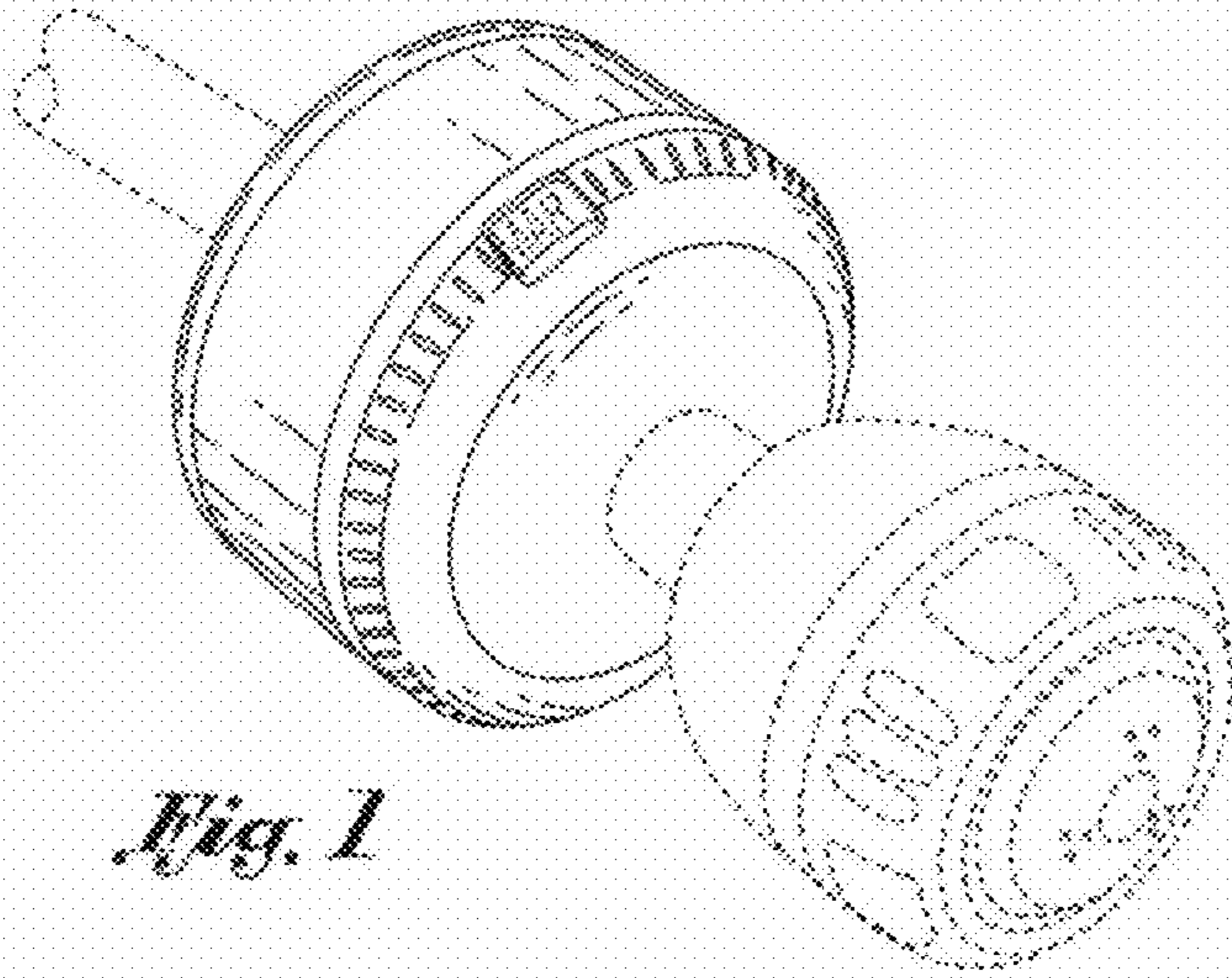


Fig. 1

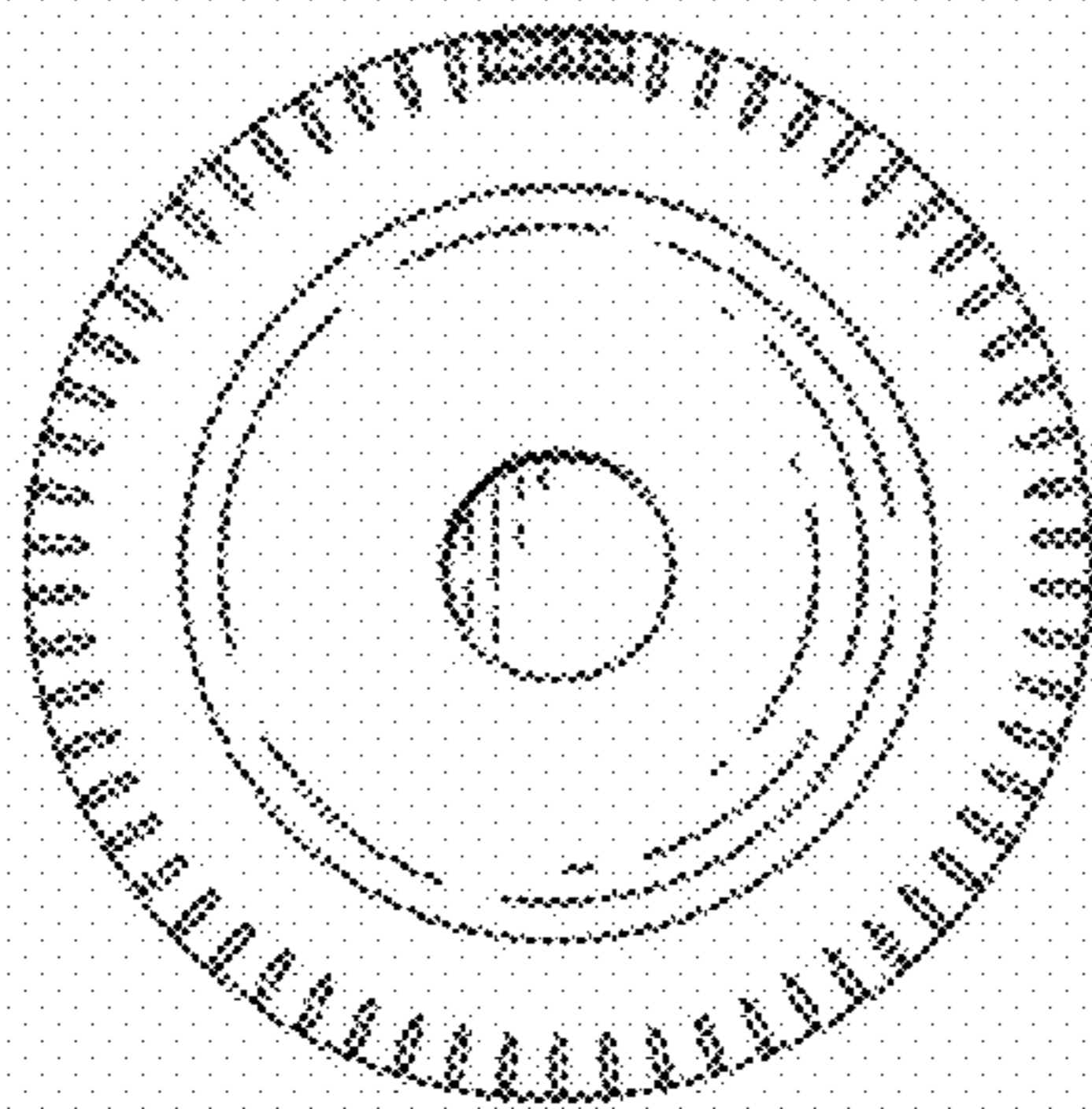


Fig. 2

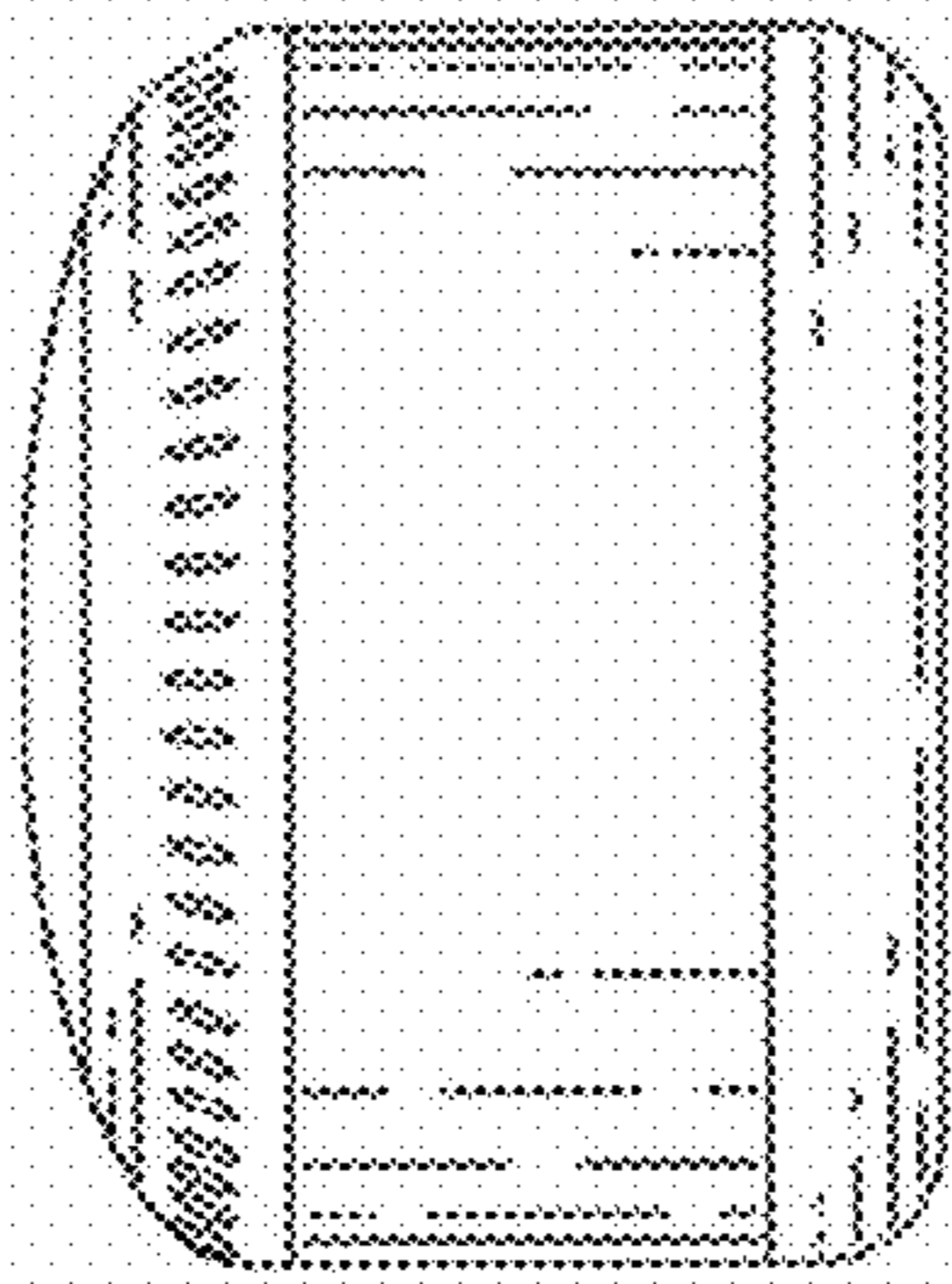


Fig. 3

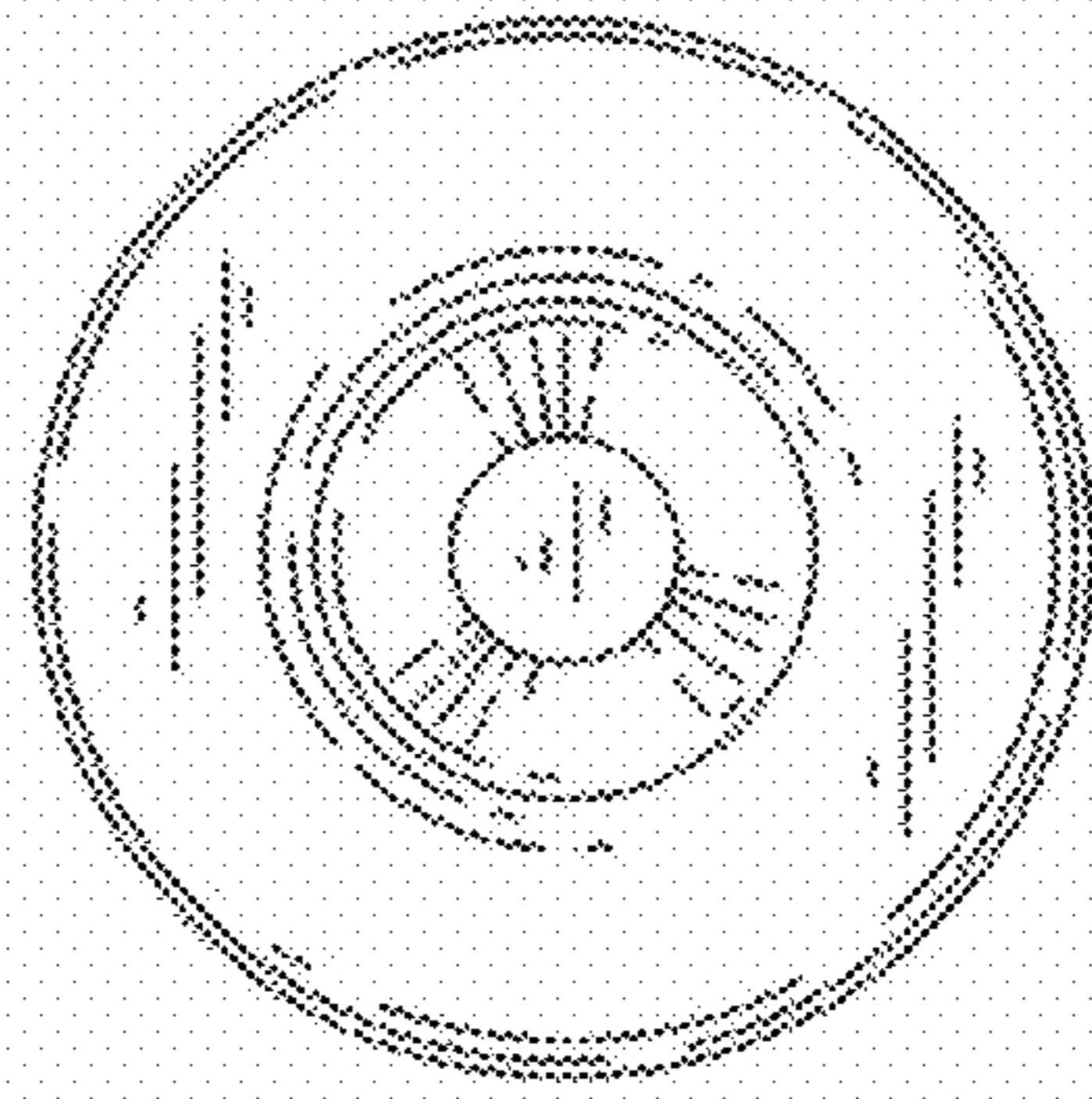


Fig. 4

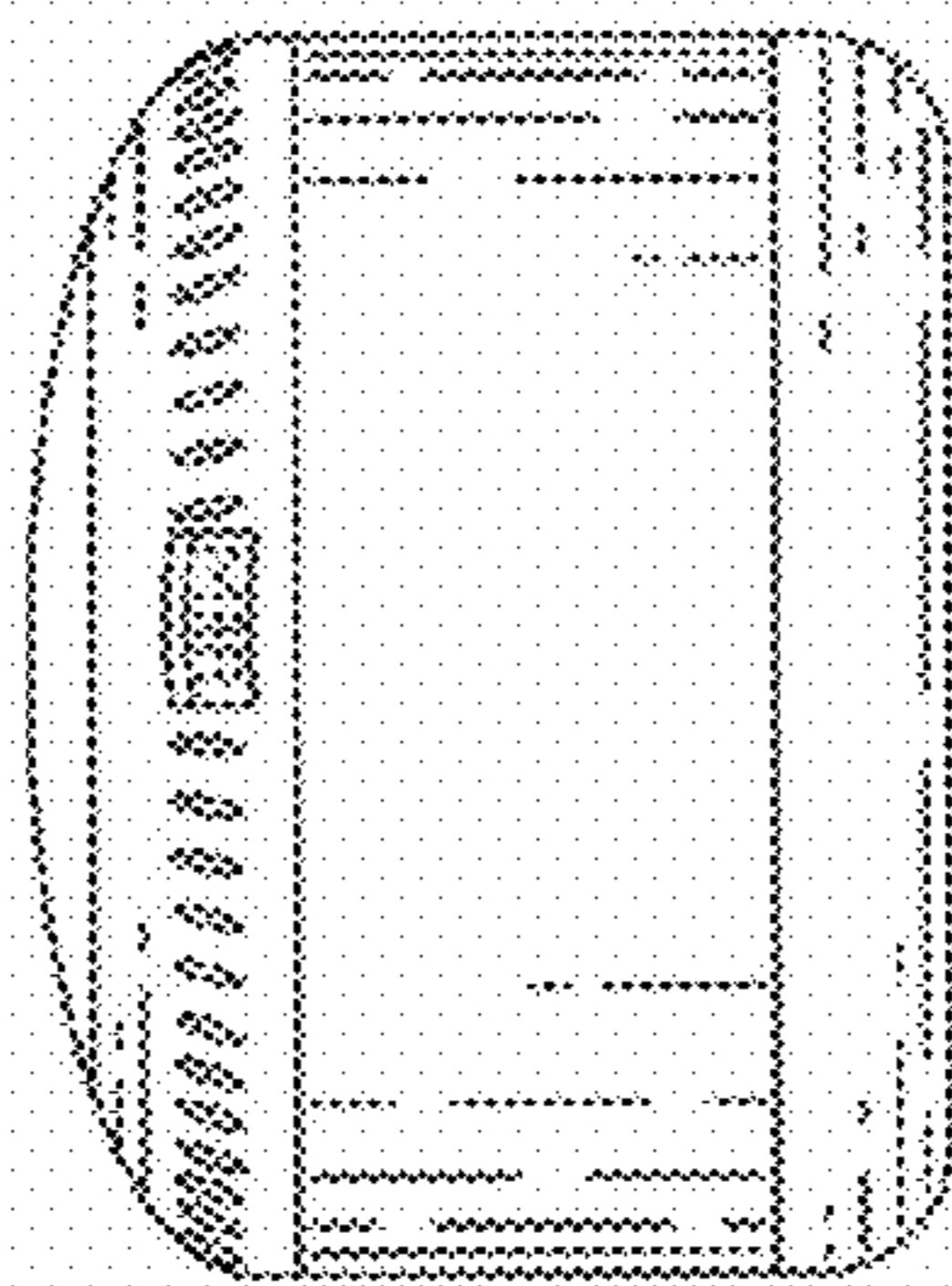


Fig. 5

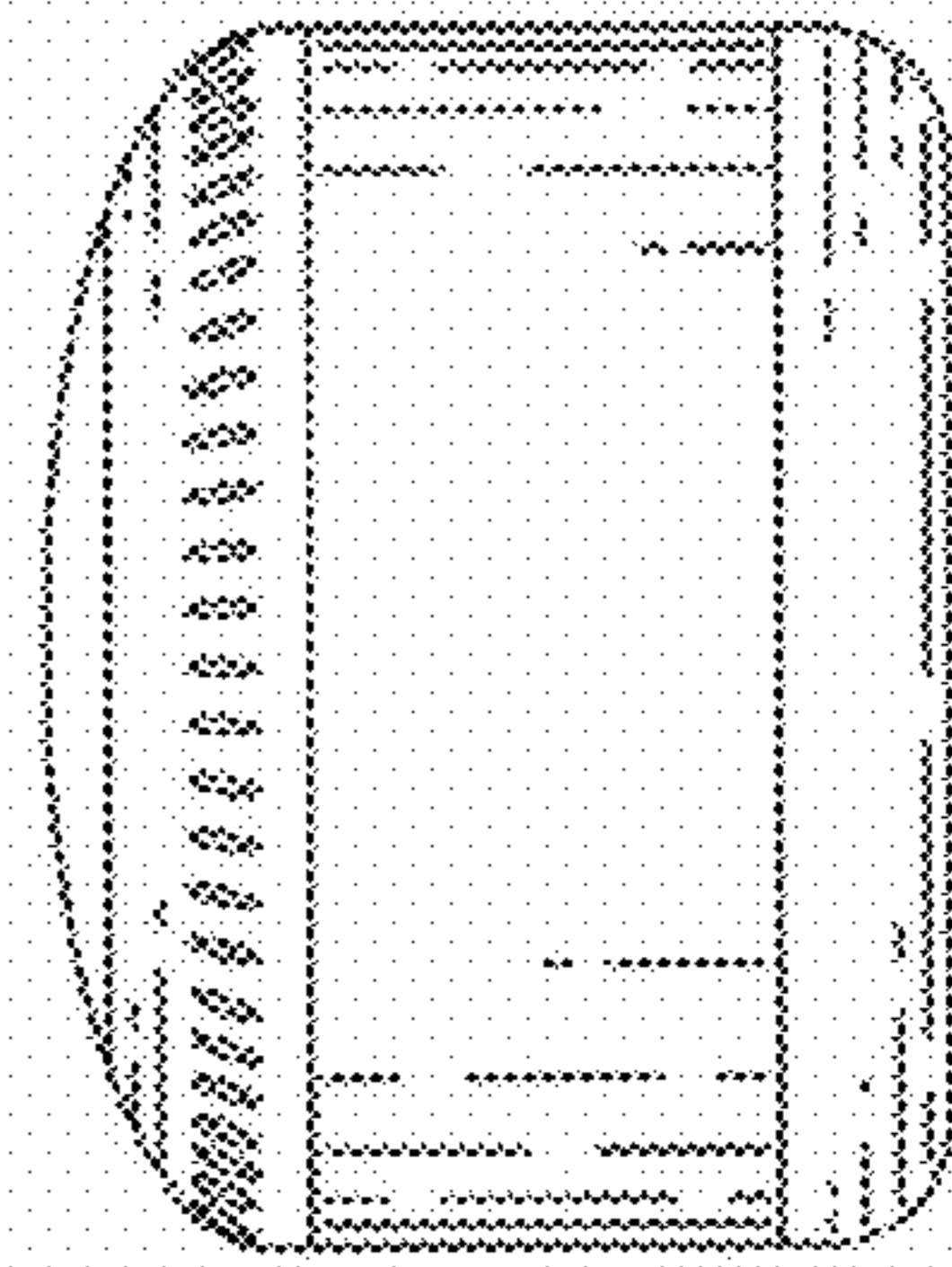


Fig. 6