

US00D667924S

(12) **United States Design Patent**
Gray

(10) **Patent No.:** **US D667,924 S**

(45) **Date of Patent:** **** Sep. 25, 2012**

(54) **FILTER DEVICE FOR A PITCHER**

D636,631 S 4/2011 Muddana et al.
D638,246 S 5/2011 Harris et al.
D639,102 S 6/2011 Harris et al.

(75) Inventor: **Anna-Karin Gray**, Stockholm (SE)

(73) Assignee: **Aktiebolaget Electrolux**, Stockholm (SE)

(**) Term: **14 Years**

(21) Appl. No.: **29/401,693**

(22) Filed: **Sep. 14, 2011**

(30) **Foreign Application Priority Data**

Mar. 15, 2011 (EM) 001265284

(51) **LOC (9) Cl.** **23-01**

(52) **U.S. Cl.** **D23/209**

(58) **Field of Classification Search** D23/207,
D23/209; 210/464, 473, 479, 482, 474
See application file for complete search history.

FOREIGN PATENT DOCUMENTS

DE	M9301281-0002	9/1993
DE	M9301281-0003	9/1993
DE	M9803309-0001	1/1999
DE	M9803309-0002	1/1999
DE	M9804424-0001	1/1999
DE	M9804424-0002	1/1999
DE	49909318-0001	1/2000
DE	49909318-0002	1/2000
DE	49909318-0003	1/2000
DE	49909318-0004	1/2000
DE	49909318-0005	1/2000
DE	49909318-0006	1/2000
DE	49909319-0001	1/2000
DE	49909319-0002	1/2000
DE	49909319-0003	1/2000
DE	49909319-0004	1/2000
DE	49909319-0005	1/2000
DE	49909319-0006	1/2000
DE	40400924-0001	5/2004
DE	40403886-0001	9/2004

(Continued)

(56) **References Cited**

U.S. PATENT DOCUMENTS

D336,760 S	6/1993	Raunkjaer	
D501,755 S	2/2005	Namur	
D506,639 S	6/2005	Jalet	
D517,852 S	3/2006	Jalet	
D520,597 S	5/2006	Witte	
D546,113 S *	7/2007	Ruoff D7/319
D573,394 S	7/2008	Tullney et al.	
D573,395 S	7/2008	Tullney et al.	
D576,250 S	9/2008	Born et al.	
D583,612 S	12/2008	Wu et al.	
D584,913 S	1/2009	Green et al.	
D585,231 S	1/2009	Bulala et al.	
D586,605 S	2/2009	Ma et al.	
D616,694 S *	6/2010	Kulikov et al. D7/319
D618,032 S	6/2010	Kulikov et al.	
D626,777 S	11/2010	Bell et al.	
D626,778 S	11/2010	Bell et al.	
D626,779 S	11/2010	Bell et al.	
D632,520 S	2/2011	Bell et al.	
D636,627 S	4/2011	Harris et al.	

Primary Examiner — Robin V Webster

(74) *Attorney, Agent, or Firm* — Banner & Witcoff, Ltd.

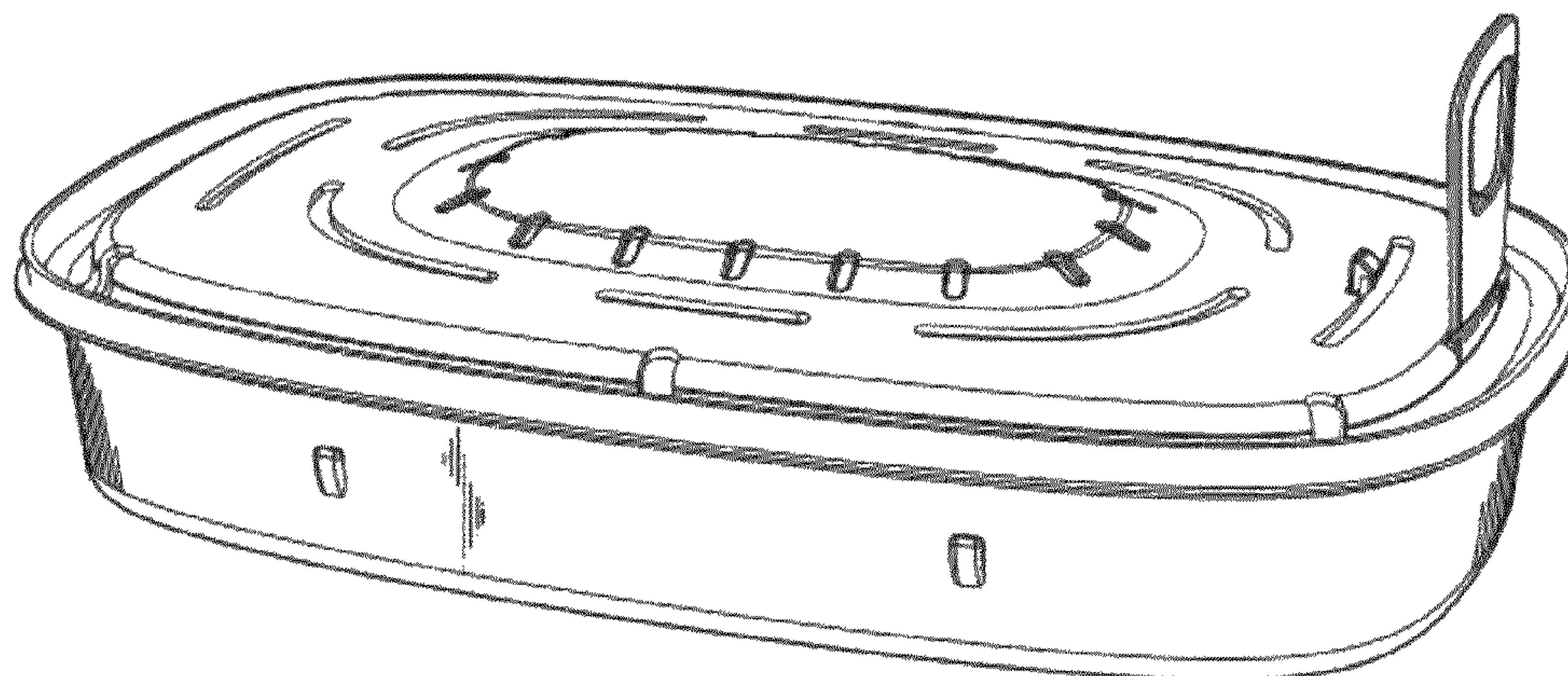
(57) **CLAIM**

The ornamental design for a filter device for a pitcher, as shown and described.

DESCRIPTION

FIG. 1 is a perspective view of a filter device for a pitcher showing my new design;
FIG. 2 is a right side view thereof;
FIG. 3 is a top view thereof;
FIG. 4 is a bottom view thereof;
FIG. 5 is a left side view thereof;
FIG. 6 is a front view thereof; and,
FIG. 7 is a rear view thereof.

1 Claim, 4 Drawing Sheets



US D667,924 S

Page 2

FOREIGN PATENT DOCUMENTS		
DE	40406643-0001	2/2005
DE	40406643-0002	2/2005
DE	40406643-0003	2/2005

DE	40406643-0004	2/2005
DE	40701888-0001	7/2007
DE	40701889-0001	7/2007

* cited by examiner

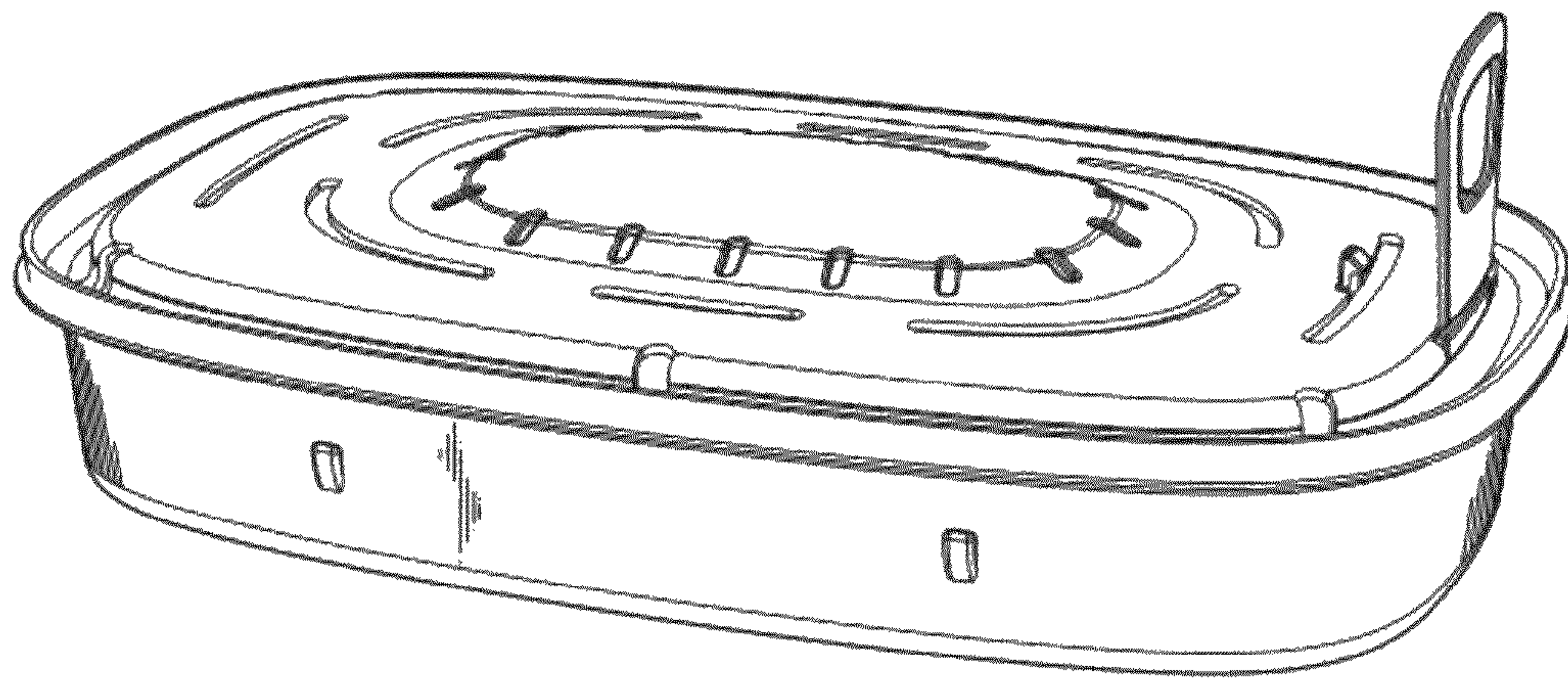


FIG. 1

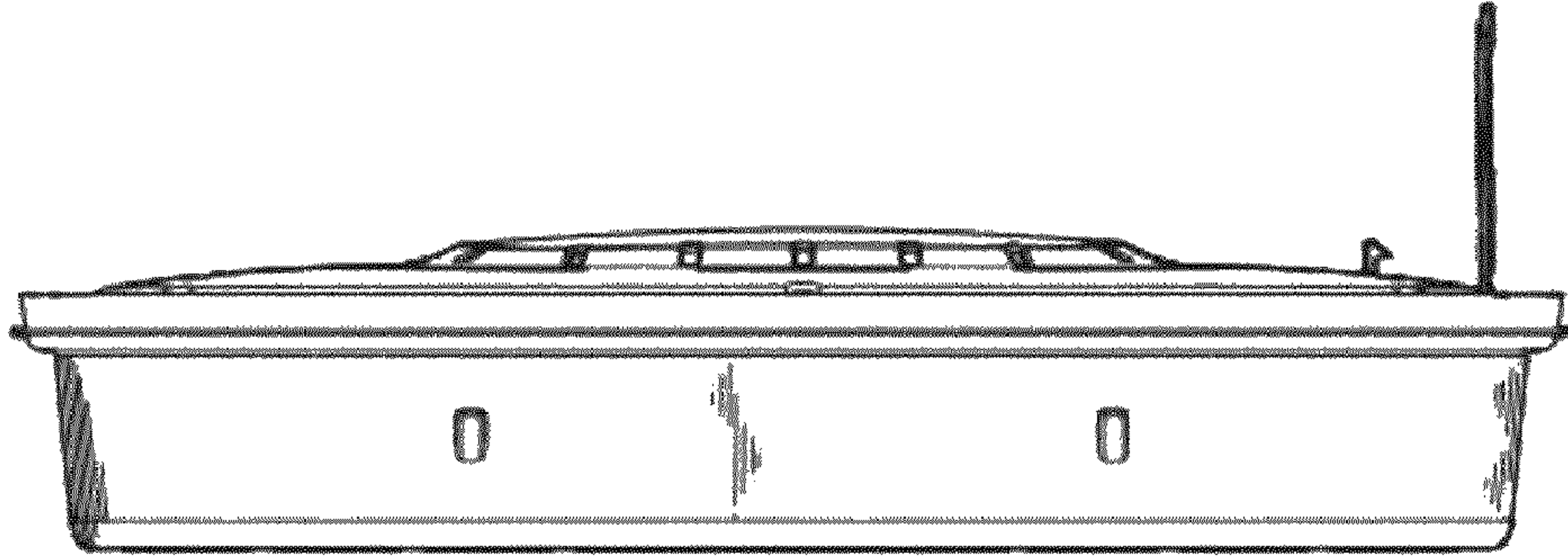


FIG. 2

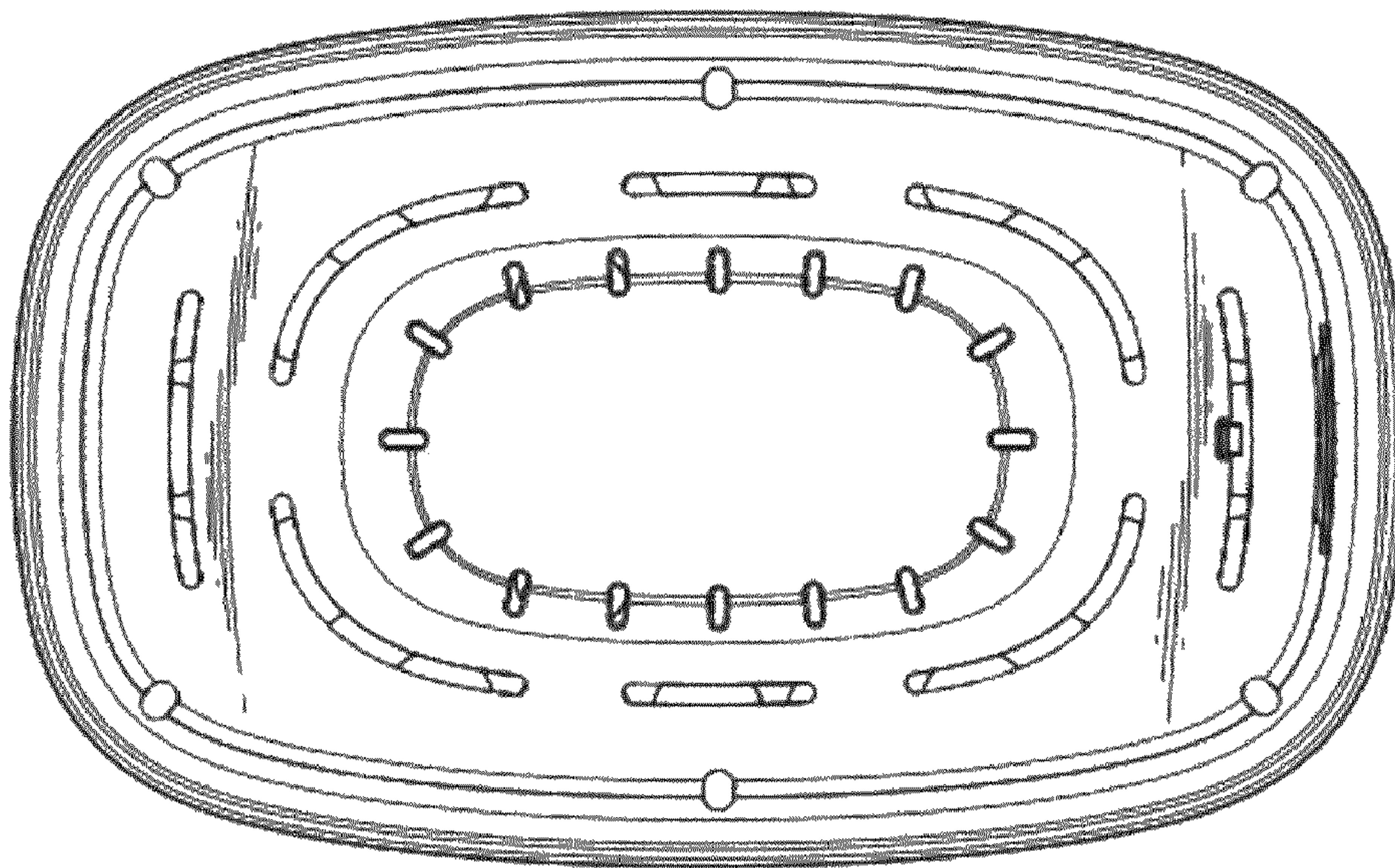


FIG. 3

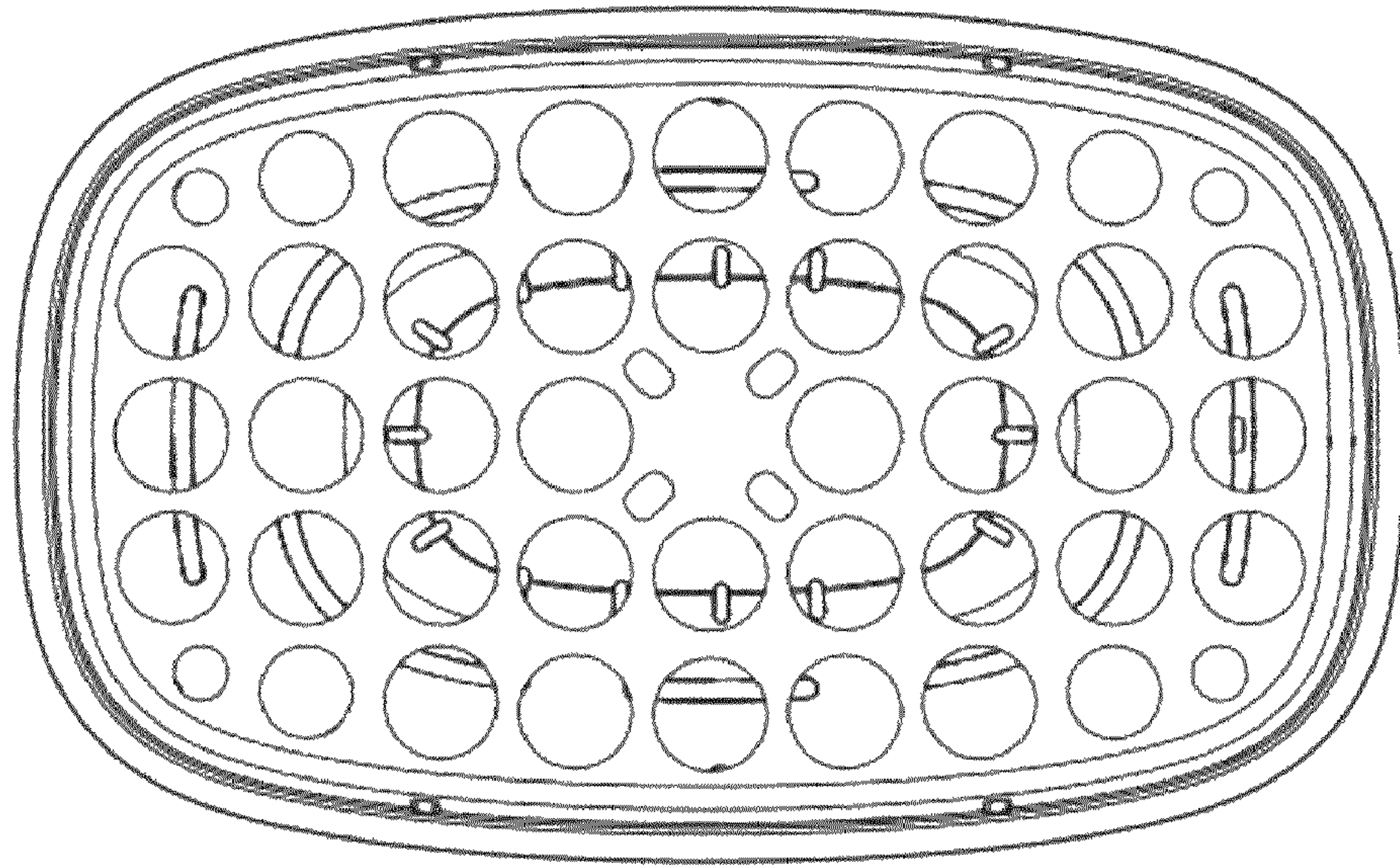


FIG. 4

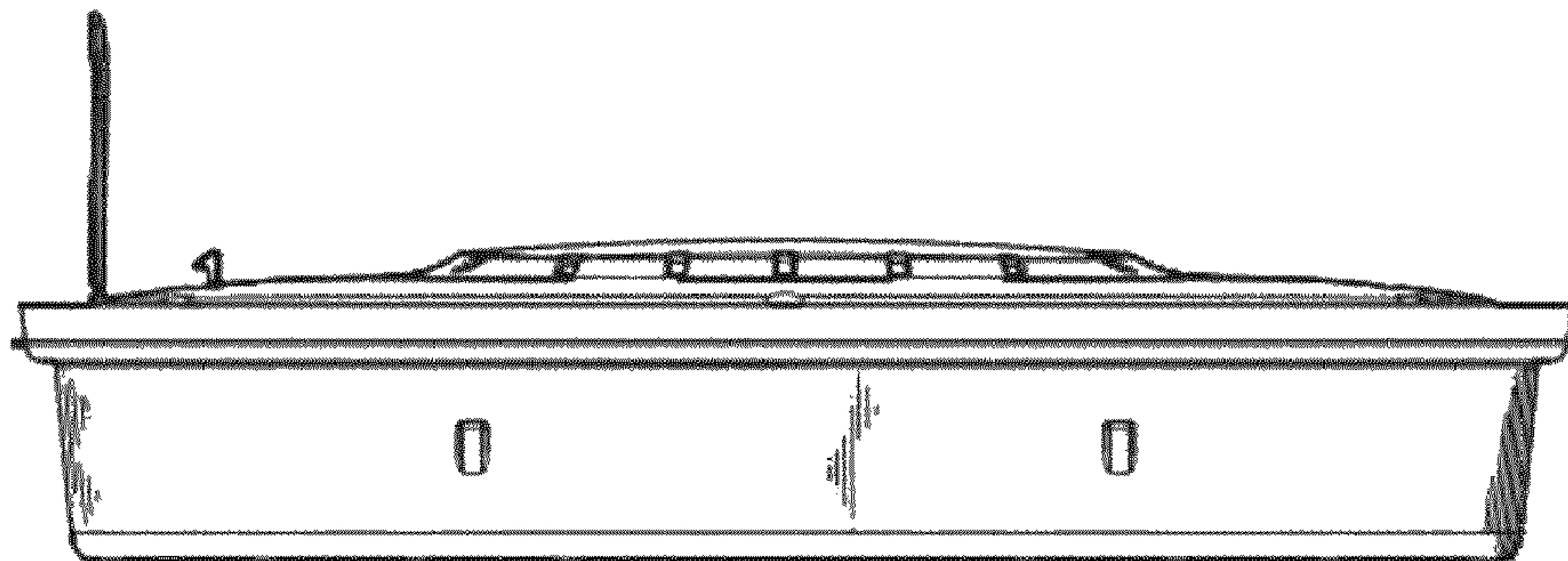


FIG. 5

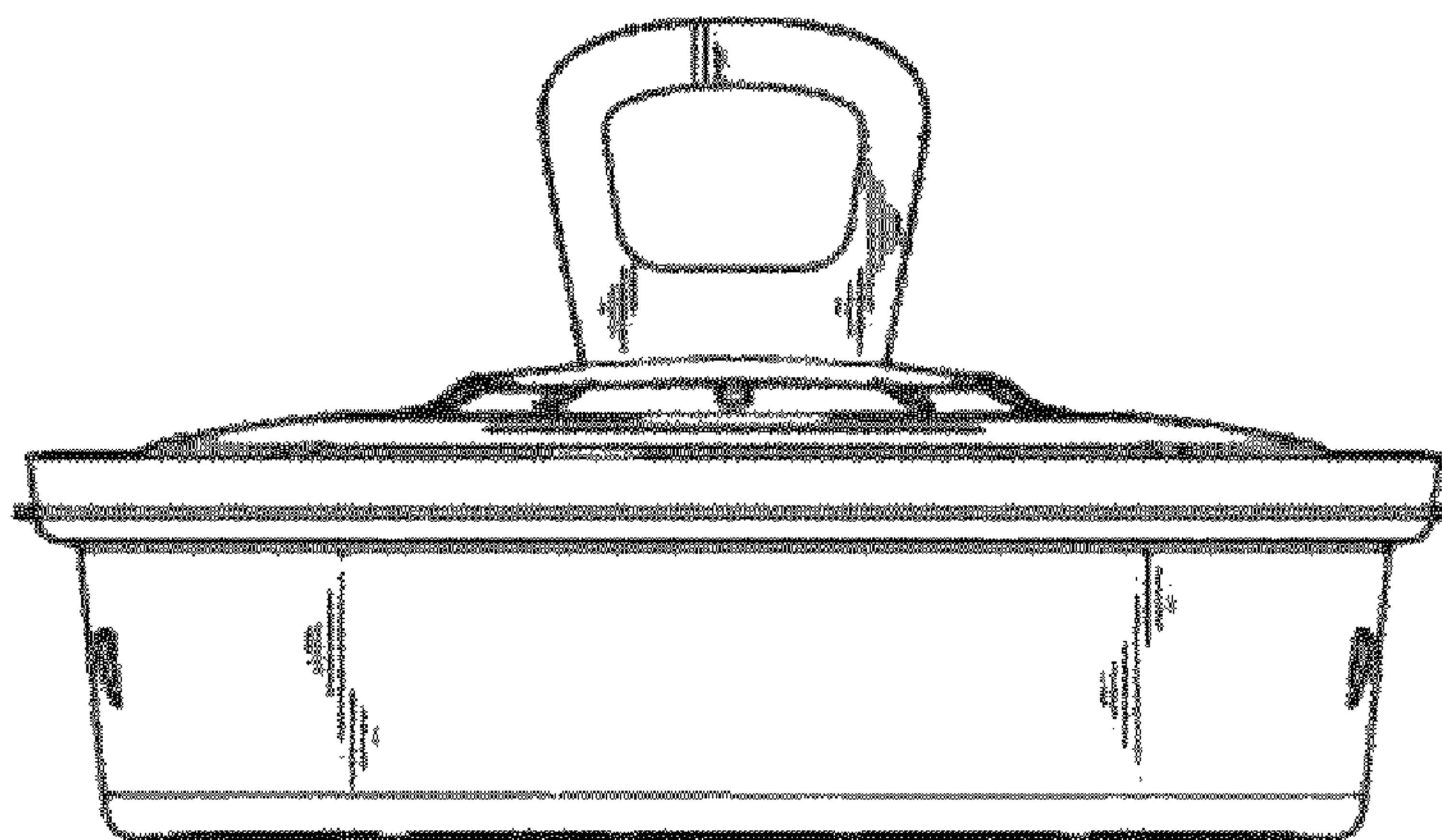


FIG. 6

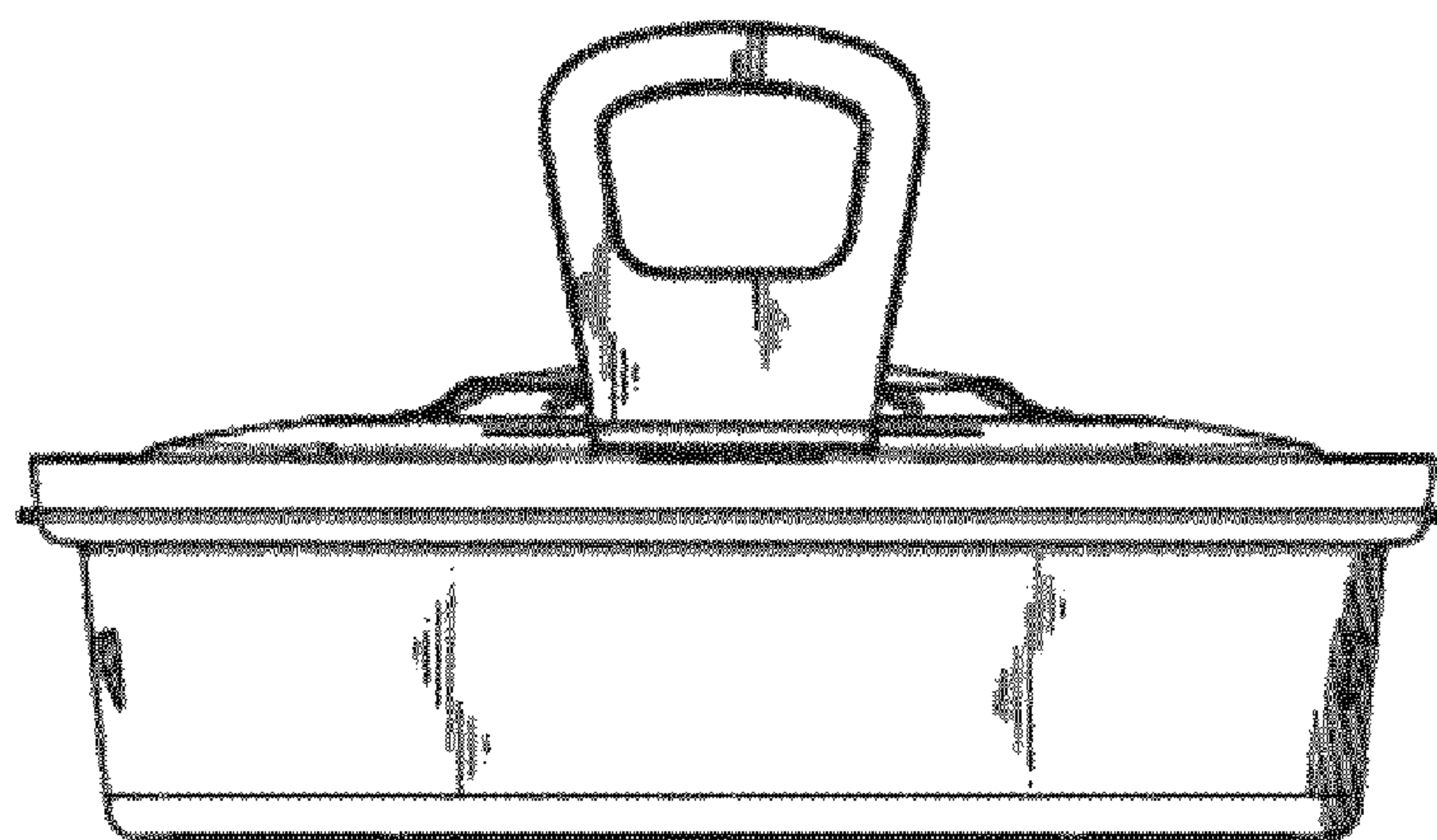


FIG. 7