



US00D667923S

(12) **United States Design Patent**  
**Ueki et al.**

(10) **Patent No.:** **US D667,923 S**  
(45) **Date of Patent:** **\*\* Sep. 25, 2012**

(54) **FUEL FILTER FOR VEHICLE**

(75) Inventors: **Yasushi Ueki**, Yokohama (JP); **Hideaki Takahashi**, Yokohama (JP)

(73) Assignee: **Nifco Inc.**, Yokohama-Shi (JP)

(\*\*) Term: **14 Years**

(21) Appl. No.: **29/371,593**

(22) Filed: **May 6, 2011**

(30) **Foreign Application Priority Data**

Nov. 8, 2010 (JP) ..... 2010-026819  
Nov. 8, 2010 (JP) ..... 2010-026820

(51) **LOC (9) Cl.** ..... **23-01**

(52) **U.S. Cl.** ..... **D23/209**

(58) **Field of Classification Search** ..... D23/207,  
D23/209; 210/416.4, 416.5, 172.4; D15/5  
See application file for complete search history.

(56) **References Cited**

U.S. PATENT DOCUMENTS

4,804,466 A \* 2/1989 Cooper et al. .... 210/316  
5,494,575 A \* 2/1996 Kitajima et al. .... 210/167.04  
5,547,568 A \* 8/1996 Sasaki ..... 210/172.4  
6,013,179 A \* 1/2000 Laughlin et al. .... 210/172.1  
6,451,205 B1 \* 9/2002 McGaw, Jr. .... 156/73.3  
6,471,072 B1 \* 10/2002 Rickle et al. .... 210/486  
D570,950 S \* 6/2008 Khalil ..... D23/209

\* cited by examiner

*Primary Examiner* — Robin V Webster

(74) *Attorney, Agent, or Firm* — Manabu Kanesaka

(57) **CLAIM**

The ornamental design for a fuel filter for vehicle, as shown and described.

**DESCRIPTION**

FIG. 1 is a perspective view from a front, plan, and right side of a fuel filter for vehicle showing our new design;

FIG. 2 is a perspective view from rear, plan, and left side thereof;

FIG. 3 is a front view thereof;

FIG. 4 is a rear view thereof;

FIG. 5 is a plan view thereof;

FIG. 6 is a bottom view thereof;

FIG. 7 is a right side view thereof;

FIG. 8 is a left side view thereof;

FIG. 9 is an enlarged cross-sectional view thereof taken along line 9-9 in FIG. 3;

FIG. 10 is an enlarged cross-sectional view thereof taken along line 10-10 in FIG. 5;

FIG. 11 is a perspective view from a front, plan, and right side of another fuel filter for vehicle showing our new design;

FIG. 12 is a perspective view from rear, plan, and left side thereof;

FIG. 13 is a front view thereof;

FIG. 14 is a rear view thereof;

FIG. 15 is a plan view thereof;

FIG. 16 is a bottom view thereof;

FIG. 17 is a right side view thereof; and,

FIG. 18 is a left side view thereof.

The broken lines depict portions of the fuel filter for vehicle that form no part of claimed design.

**1 Claim, 7 Drawing Sheets**

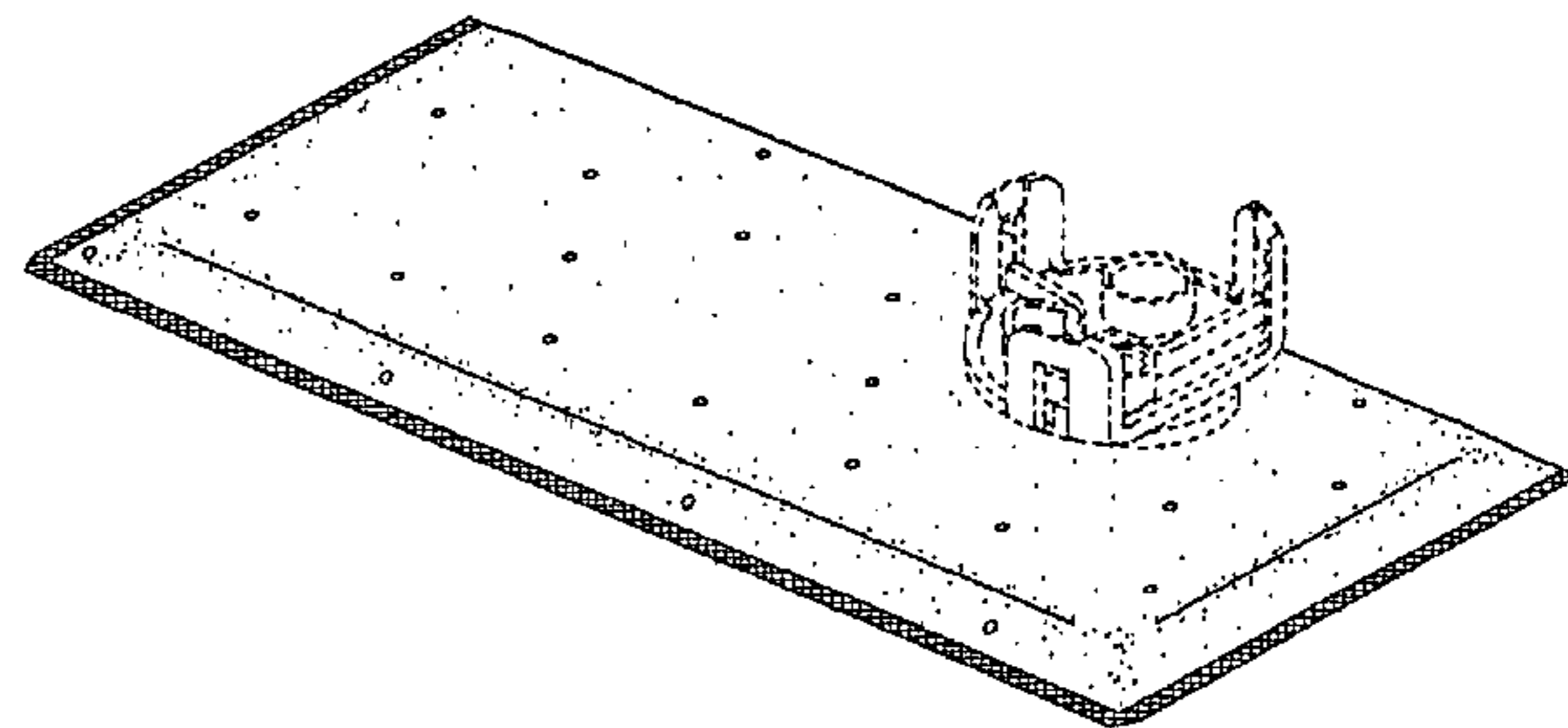
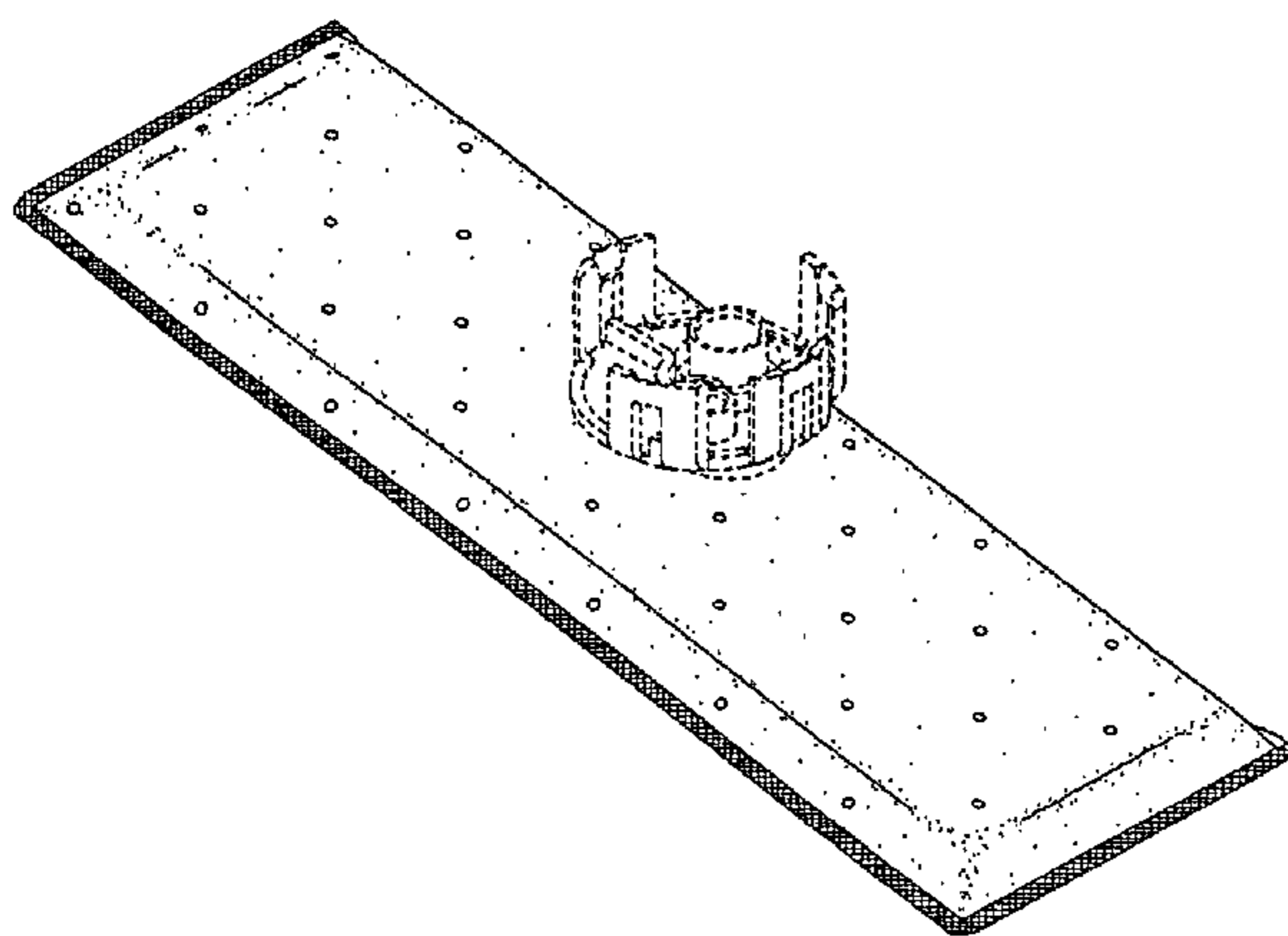


Fig. 1

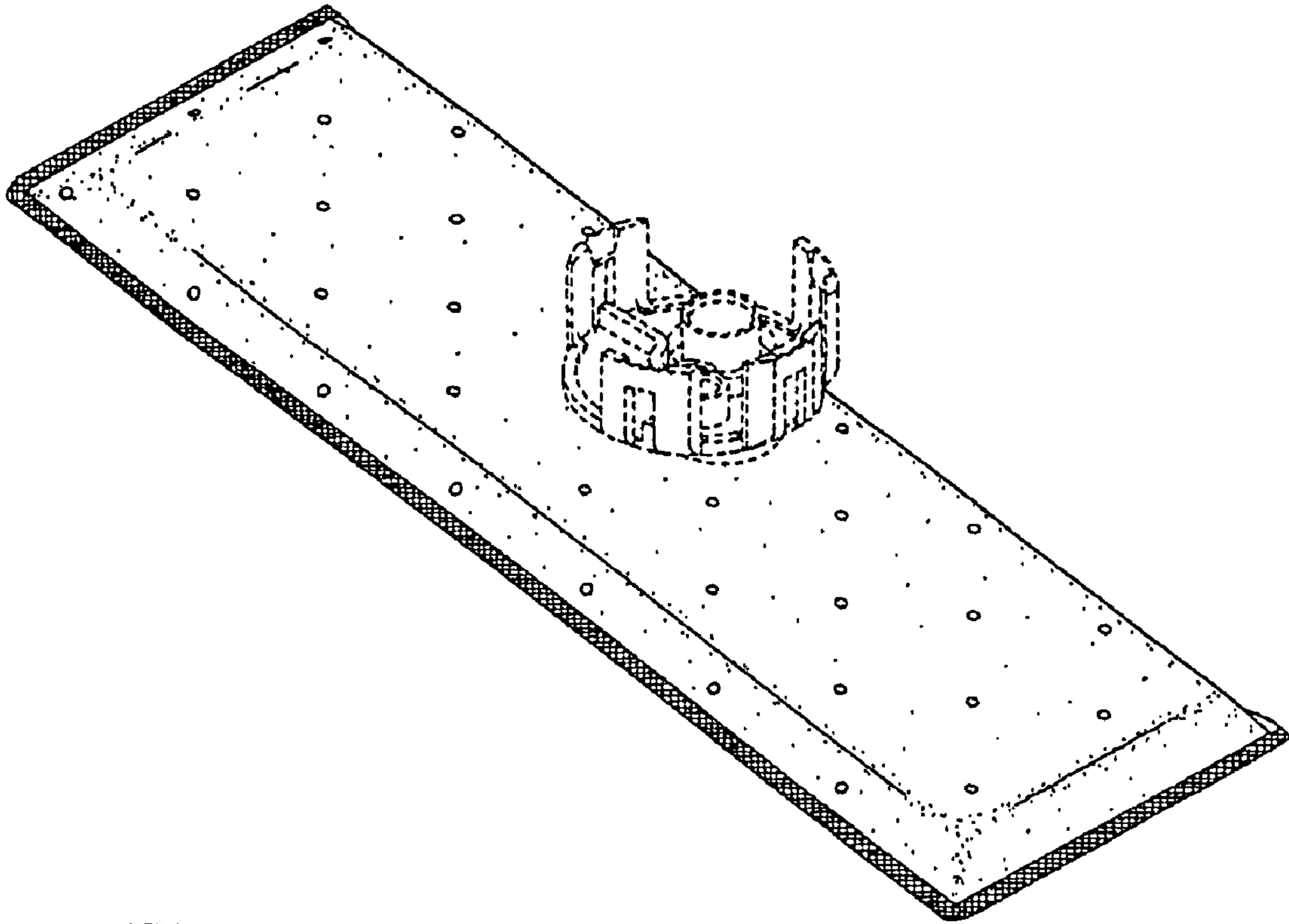


Fig. 2

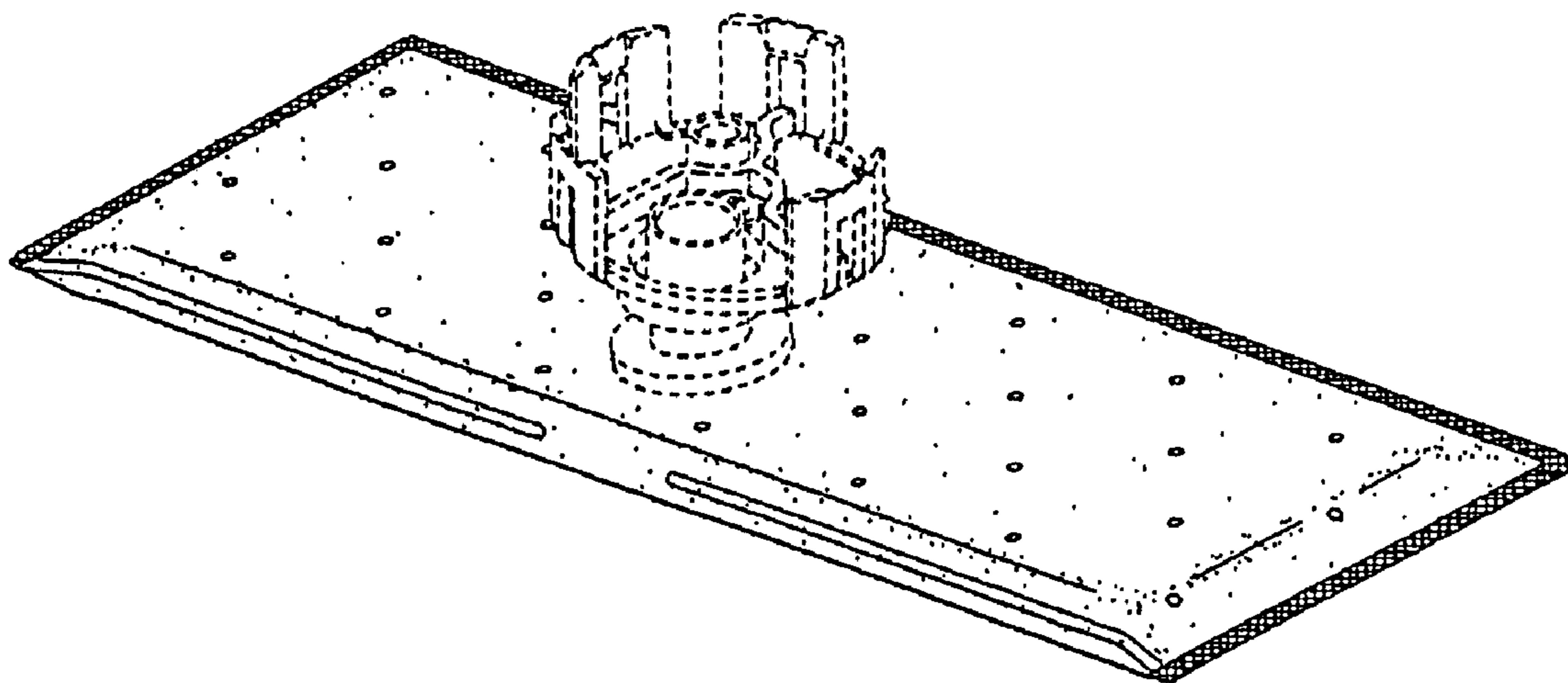


Fig. 3

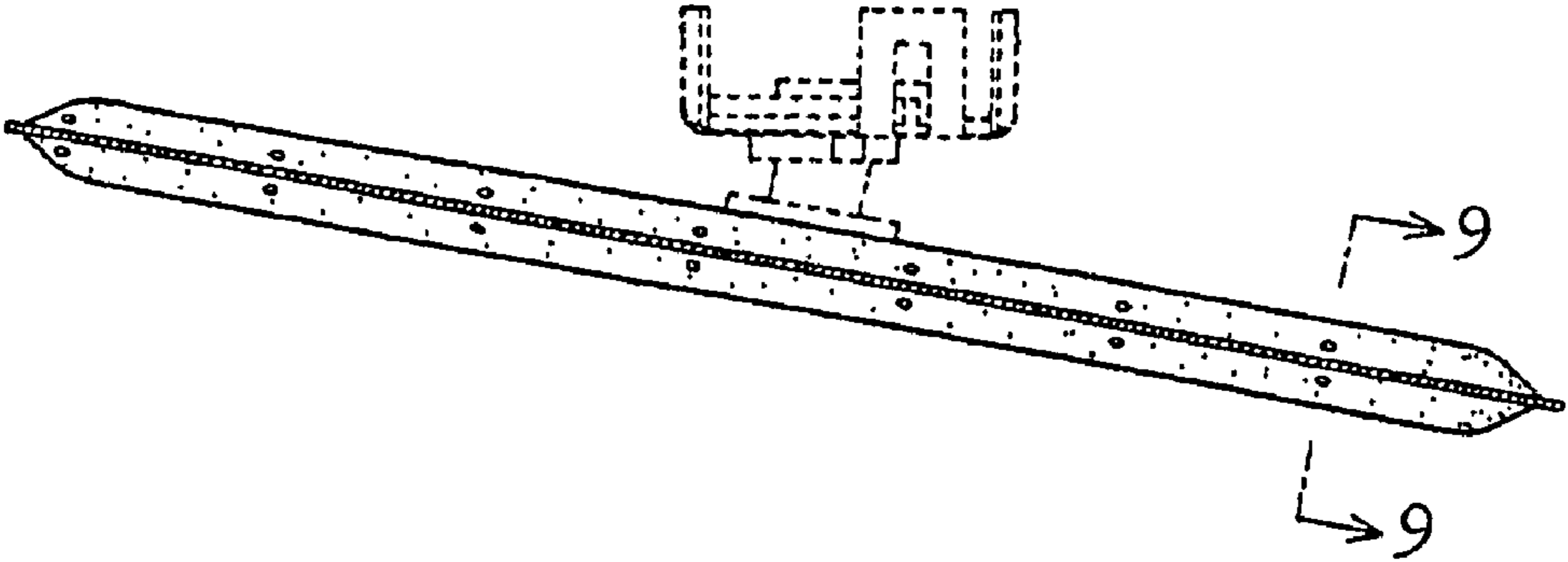


Fig. 4

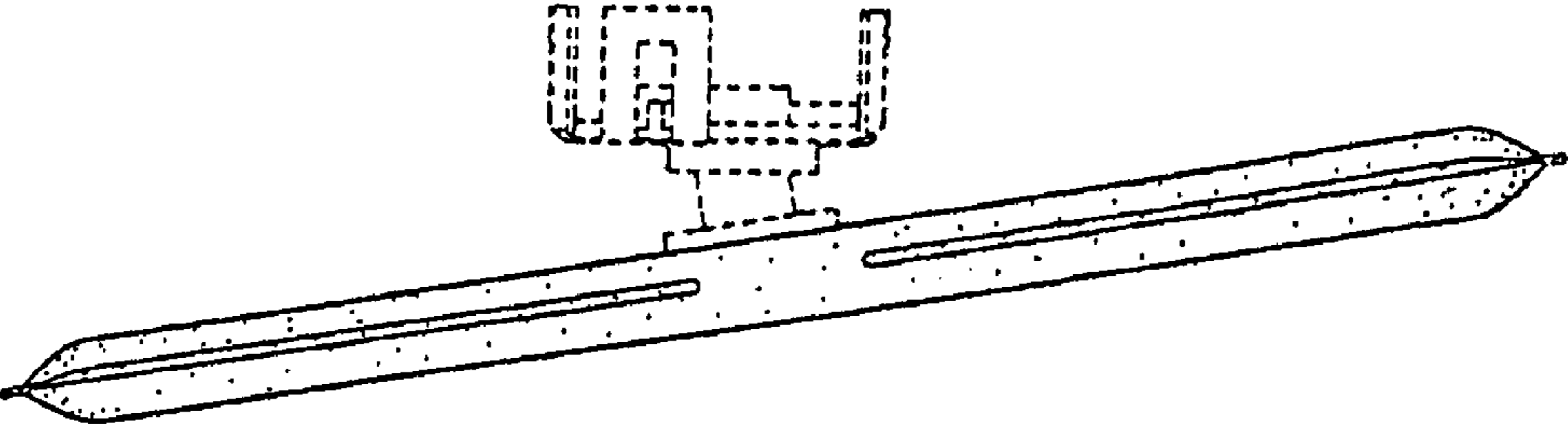


Fig. 5

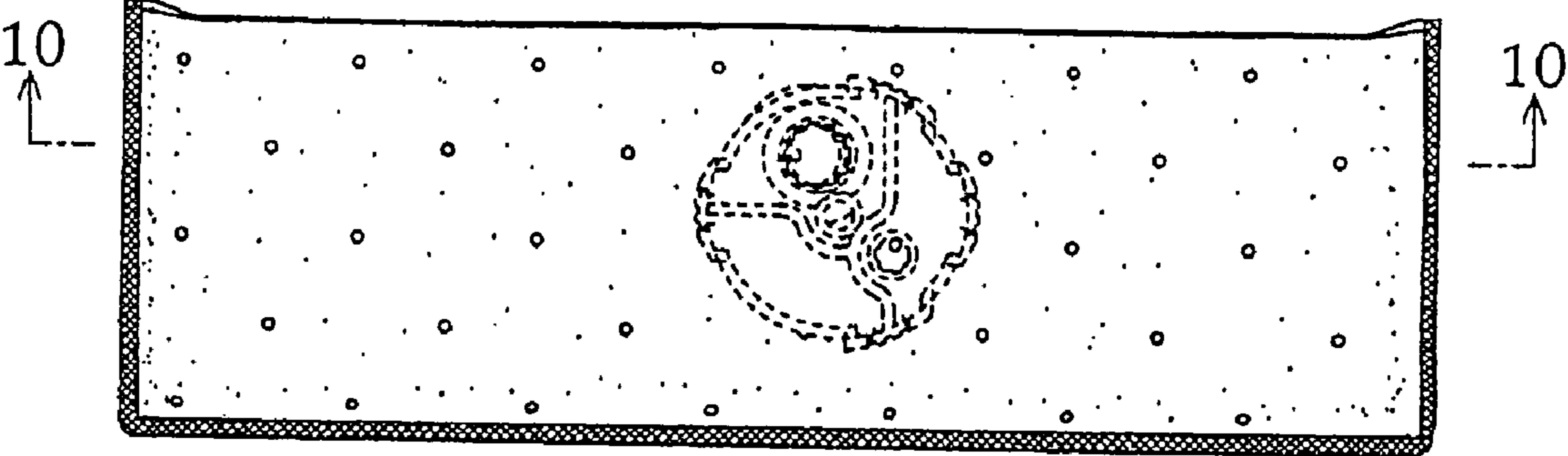


Fig. 6

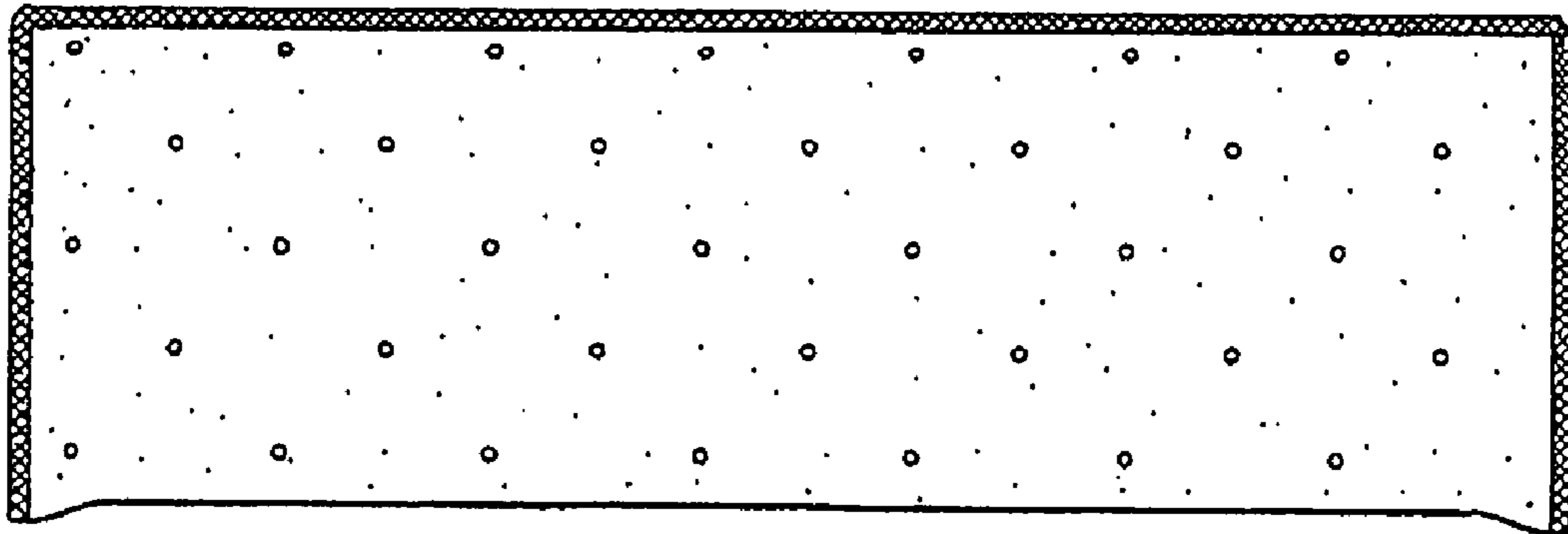


Fig. 7

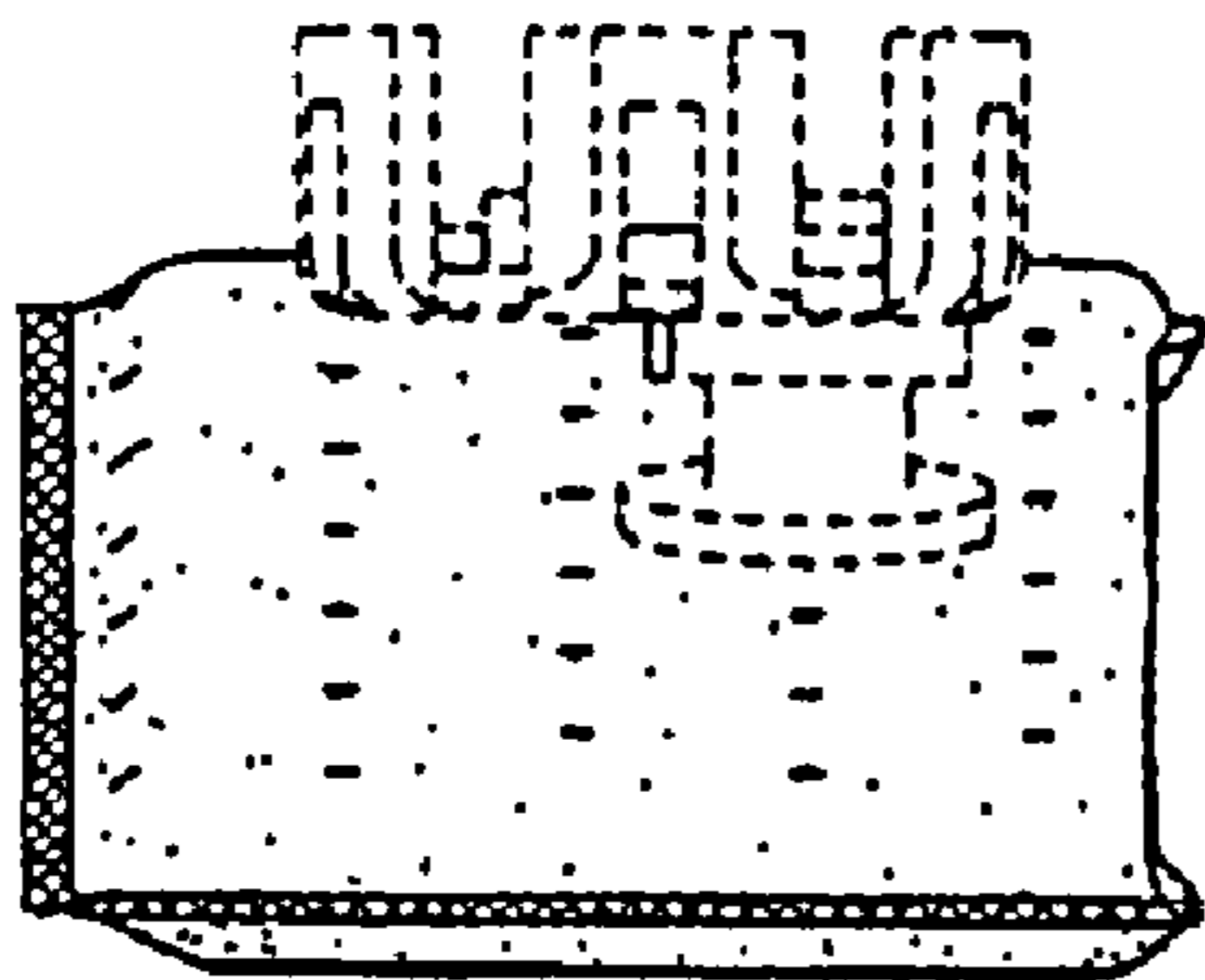


Fig. 8

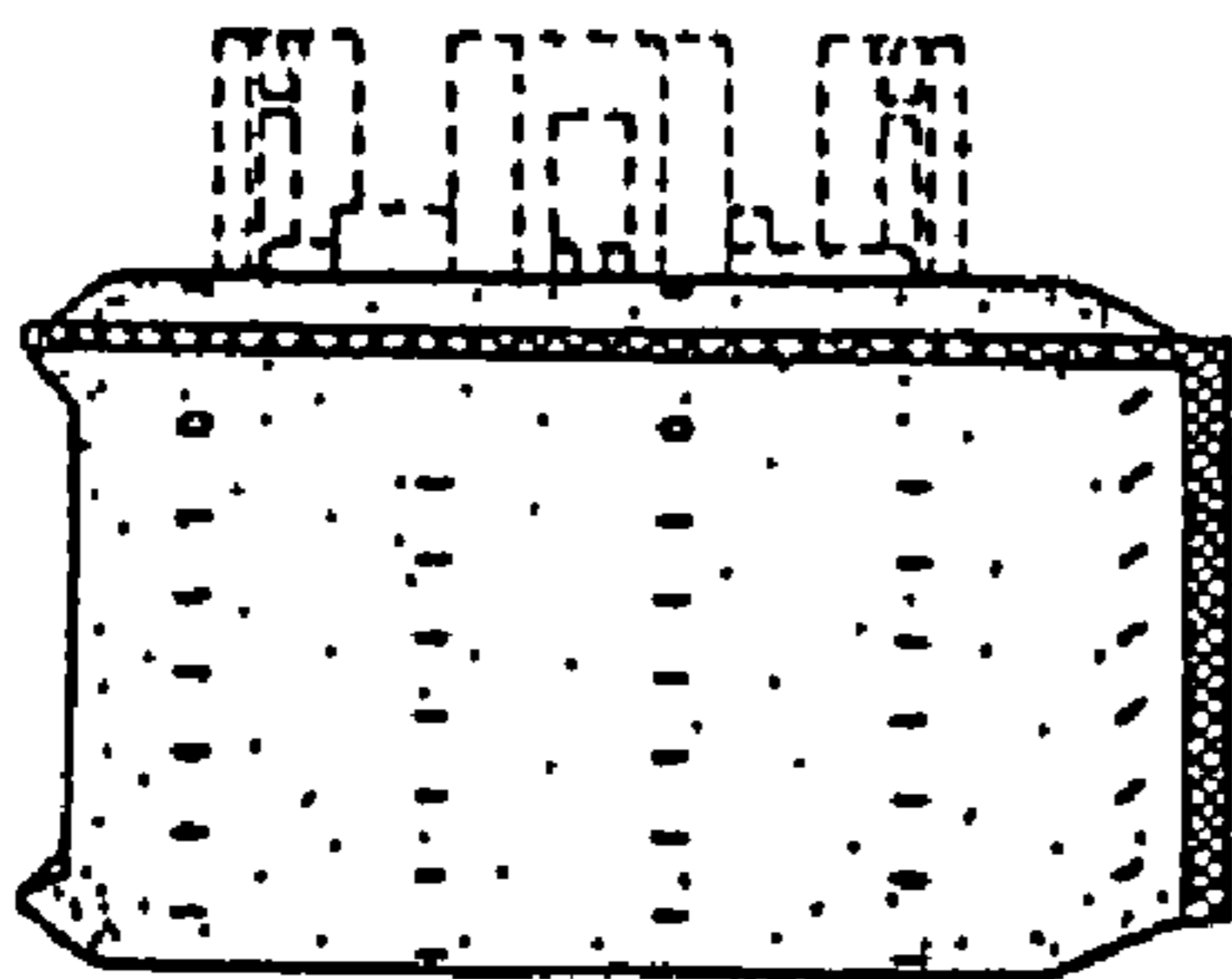


Fig. 9

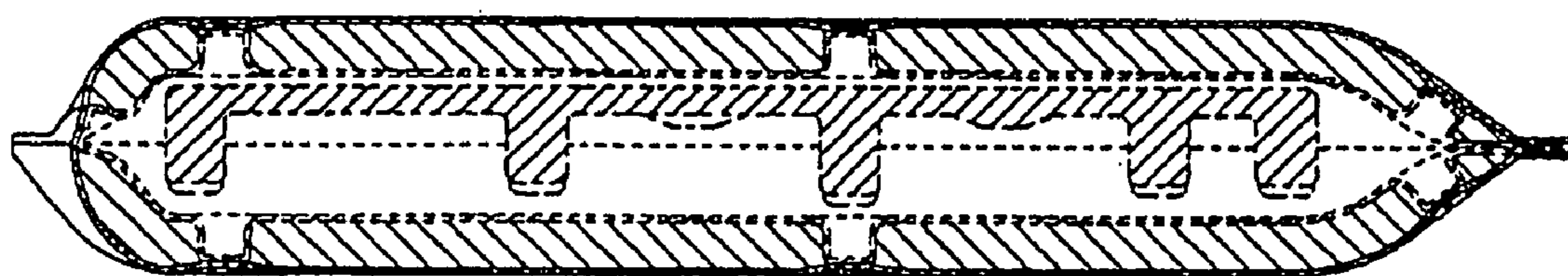


Fig. 10

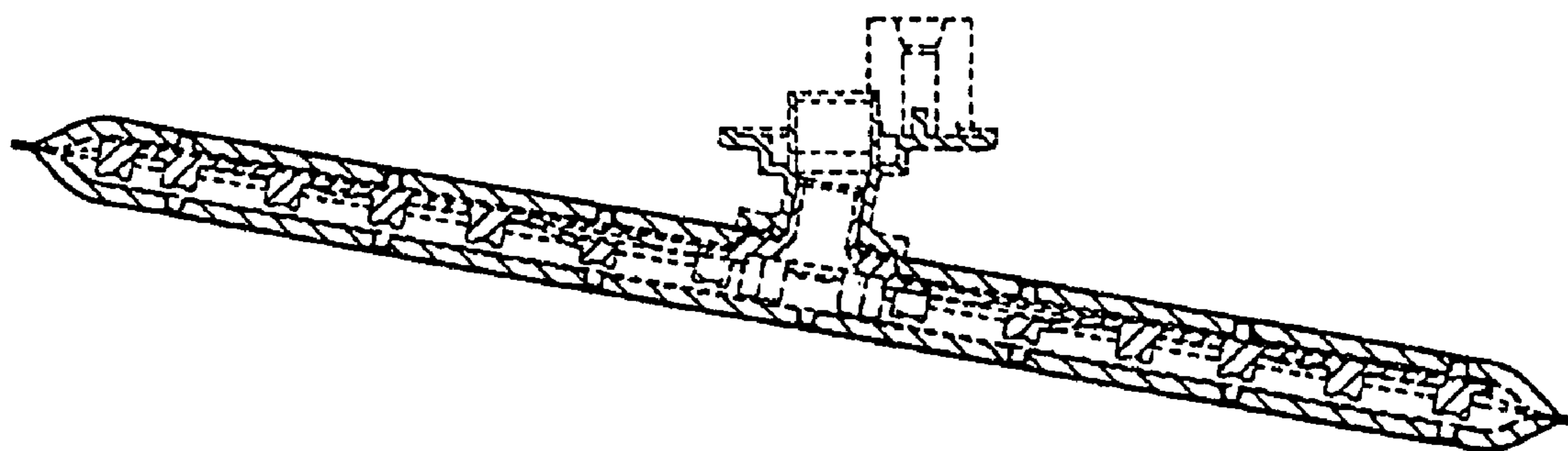


Fig. 11

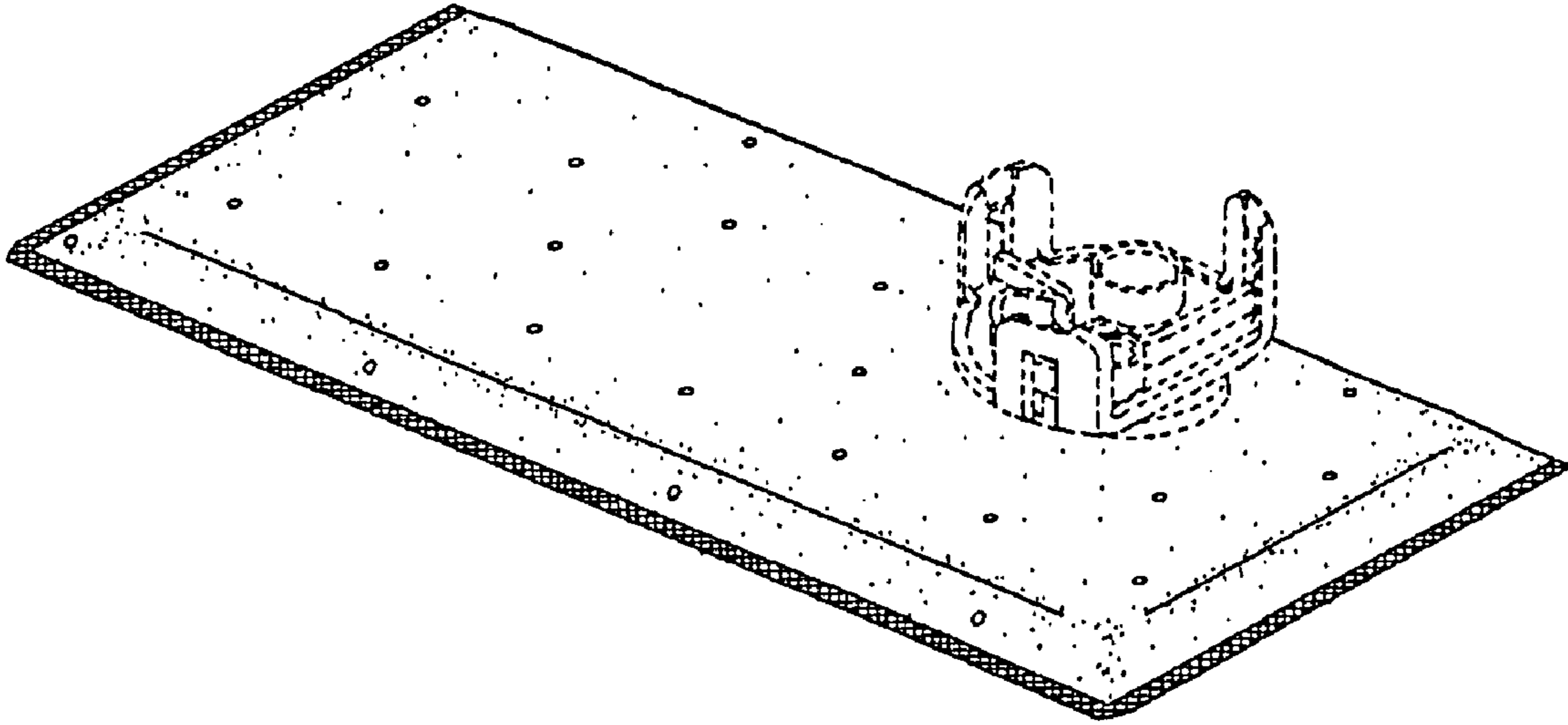


Fig. 12

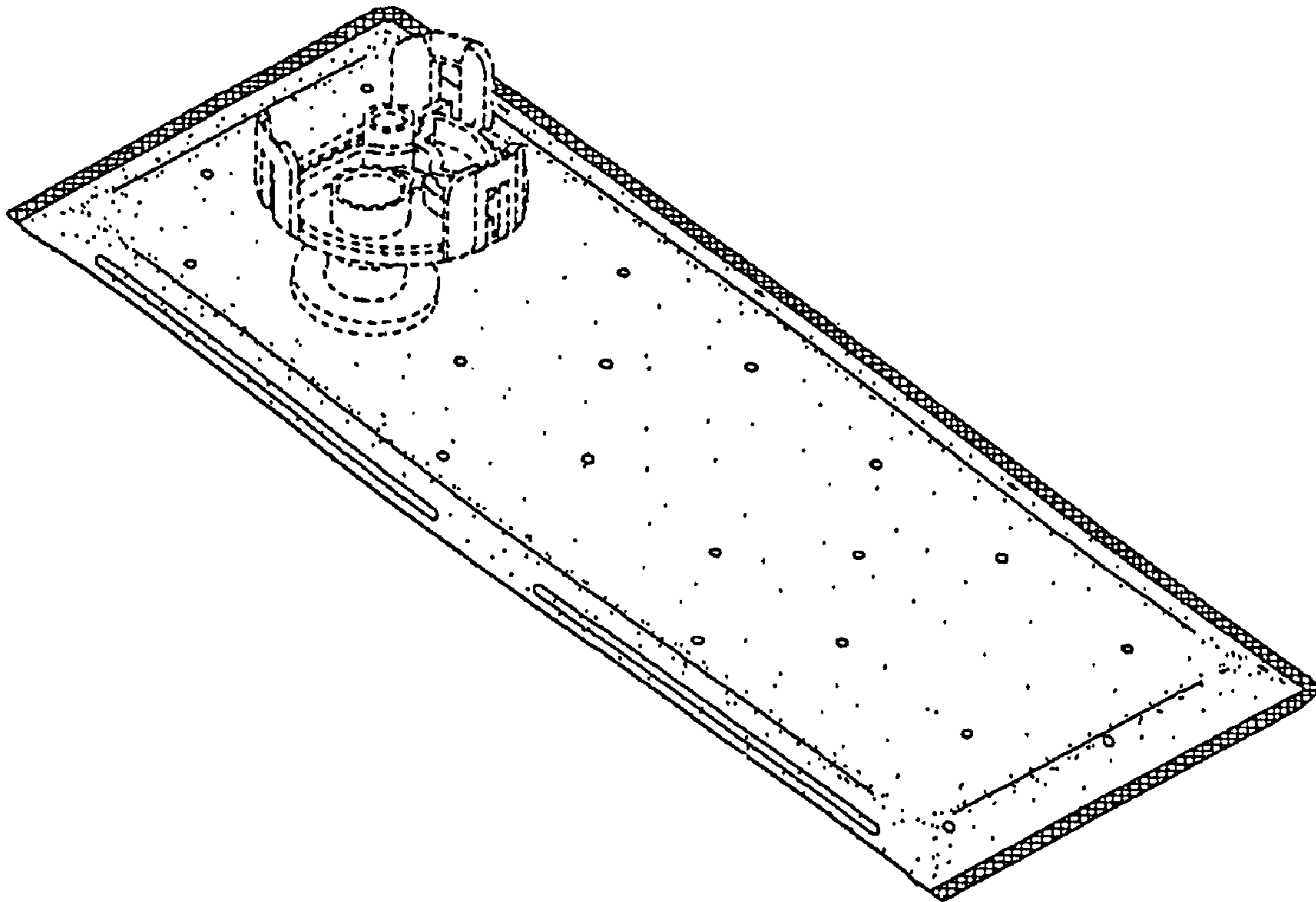


Fig. 13

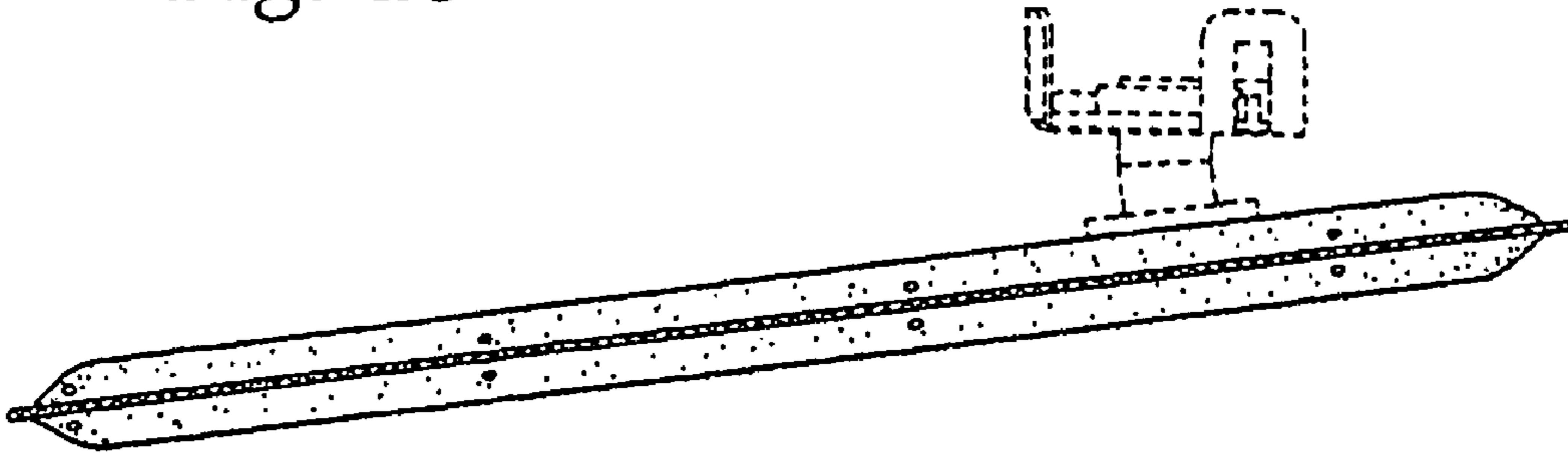


Fig. 14

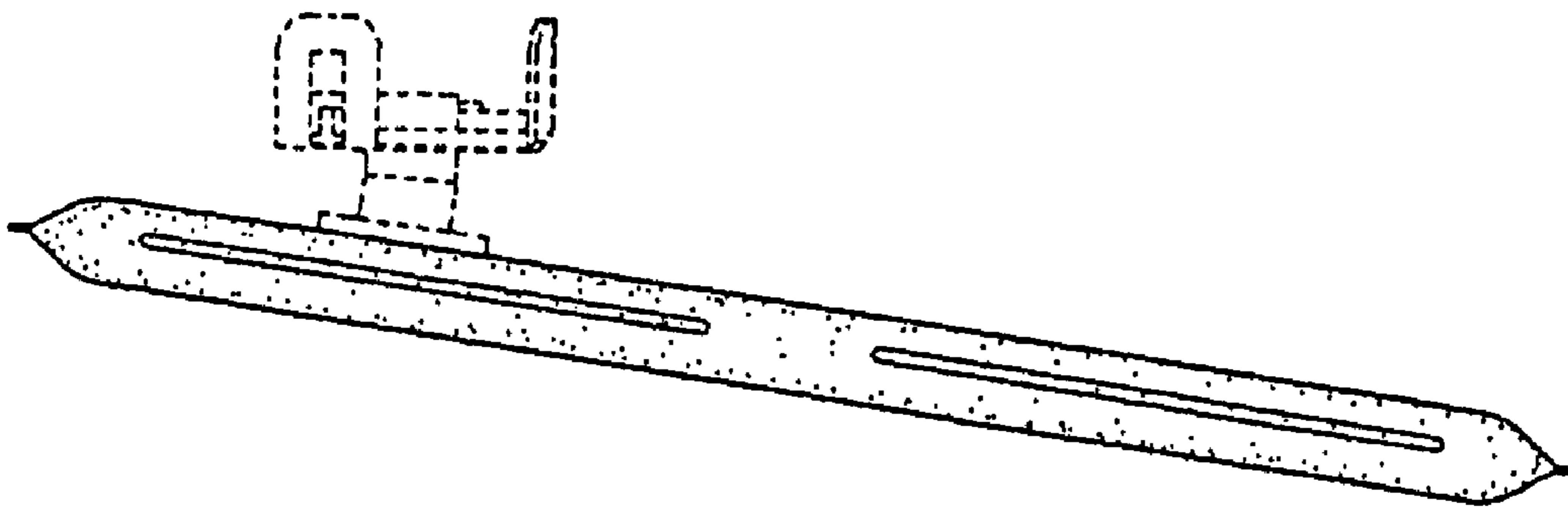


Fig. 15

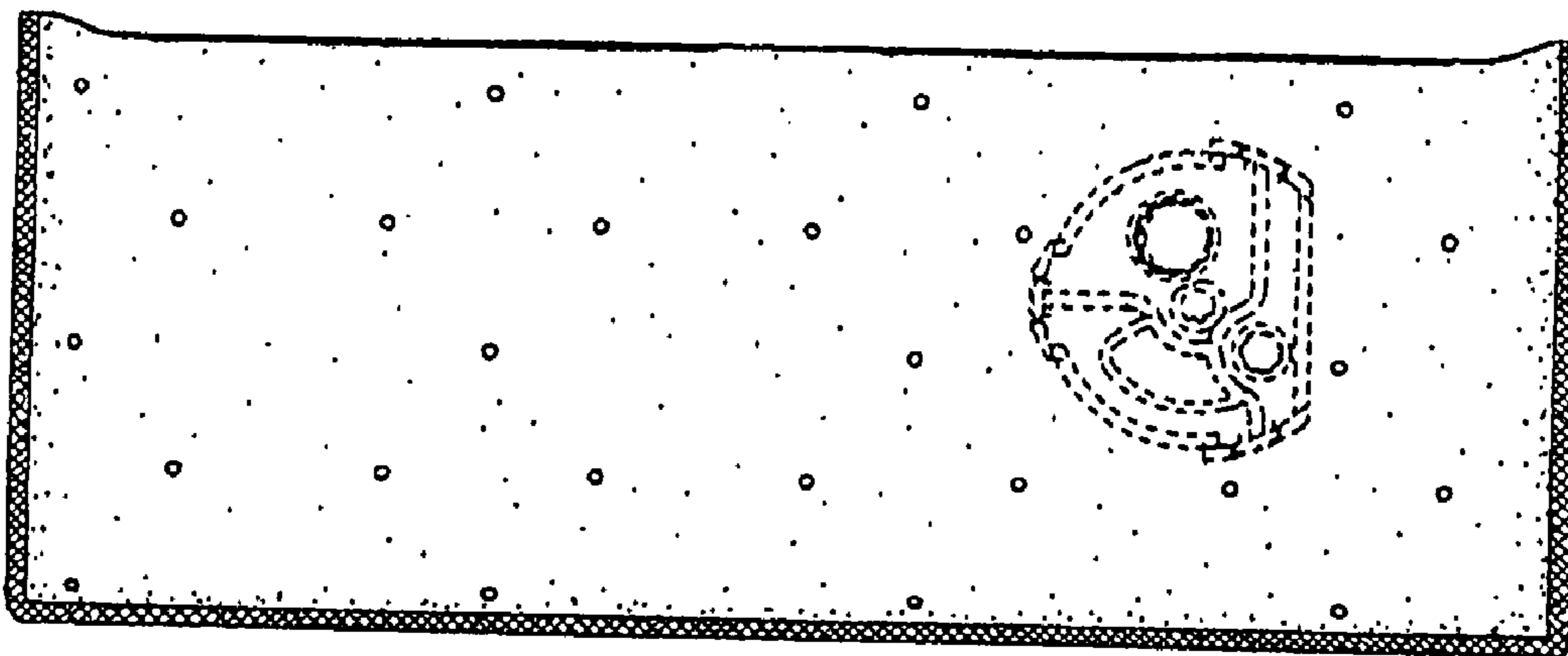


Fig. 16

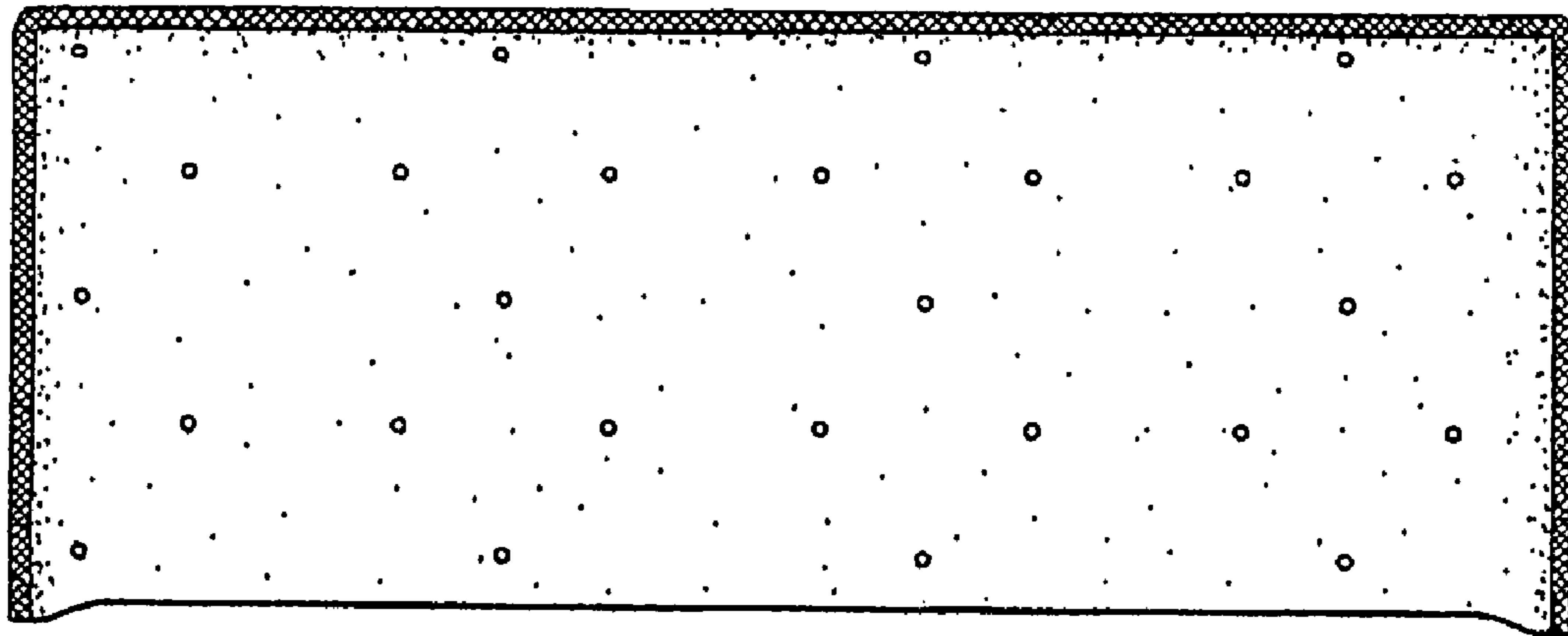


Fig. 17

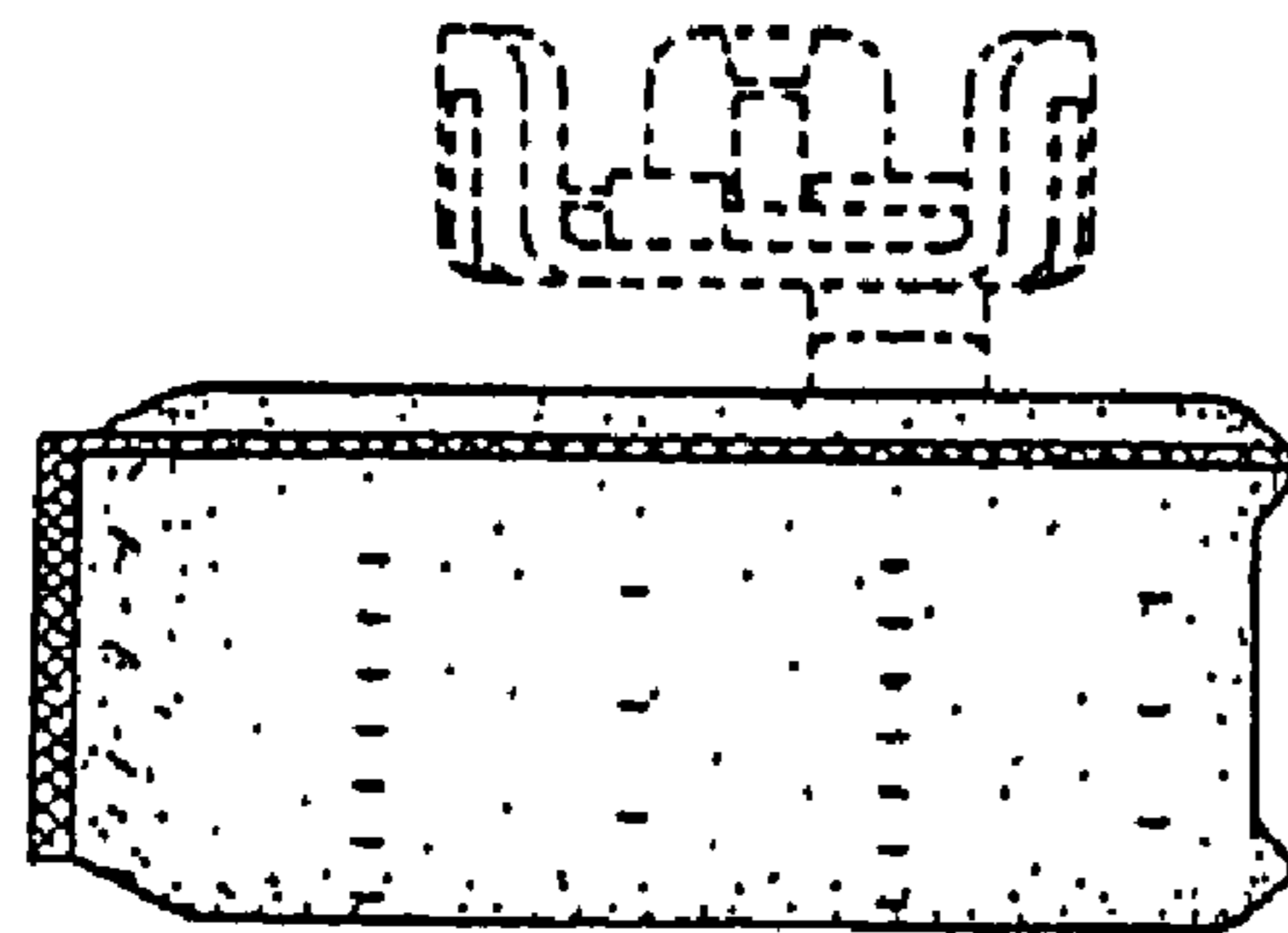


Fig. 18

