

US00D667922S

(12) **United States Design Patent**  
**Hadi**

(10) **Patent No.:** **US D667,922 S**  
(45) **Date of Patent:** **\*\* Sep. 25, 2012**

(54) **FOUNTAIN**

(76) Inventor: **Mohammed Hadi**, Fort Myers, FL (US)

(\*\*) Term: **14 Years**

(21) Appl. No.: **29/420,413**

(22) Filed: **May 9, 2012**

(51) **LOC (9) Cl.** ..... **23-01**

(52) **U.S. Cl.** ..... **D23/201**

(58) **Field of Classification Search** ..... D23/201;

D11/131; 239/16-21; D7/306

See application file for complete search history.

(56) **References Cited**

**U.S. PATENT DOCUMENTS**

D9,353 S *	6/1876	Fiske	.....	D23/201
D631,129 S *	1/2011	Hadi	.....	D23/201
D637,265 S *	5/2011	Hadi	.....	D23/201
D638,510 S *	5/2011	Hadi	.....	D23/201

D640,344 S \* 6/2011 Hadi ..... D23/201

\* cited by examiner

*Primary Examiner* — Robin V Webster

(57) **CLAIM**

The ornamental design for a fountain, as shown and described.

**DESCRIPTION**

FIG. 1 is a front perspective view of fountain showing my new and original design;

FIG. 2 is a front elevation view thereof;

FIG. 3 is a back elevation view thereof;

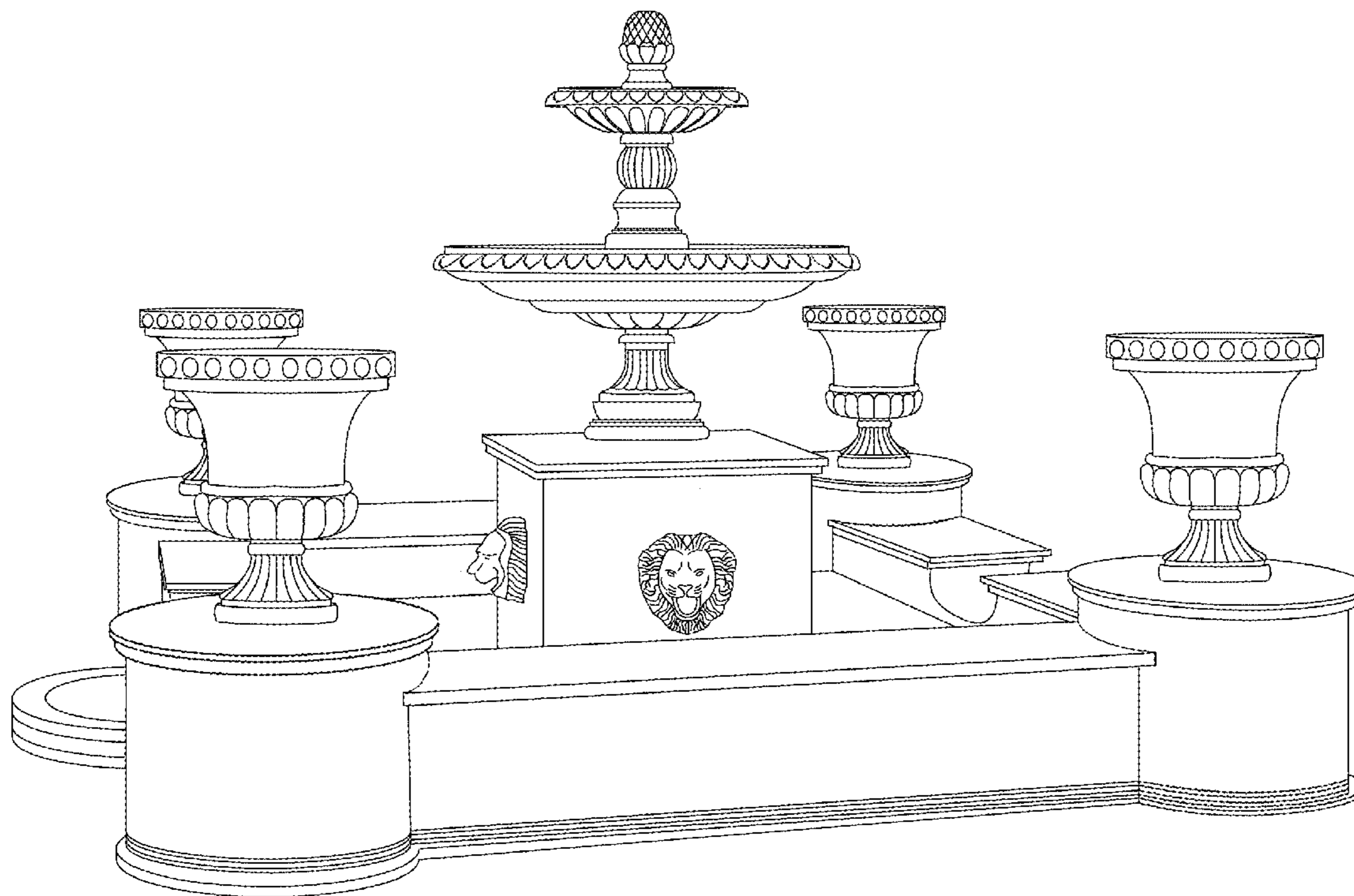
FIG. 4 is a right side elevation view thereof;

FIG. 5 is a left side elevation view thereof; and,

FIG. 6 is a top view thereof.

The view of the bottom side of the fountain has been omitted because such side is flat and devoid of surface ornamentation.

**1 Claim, 6 Drawing Sheets**



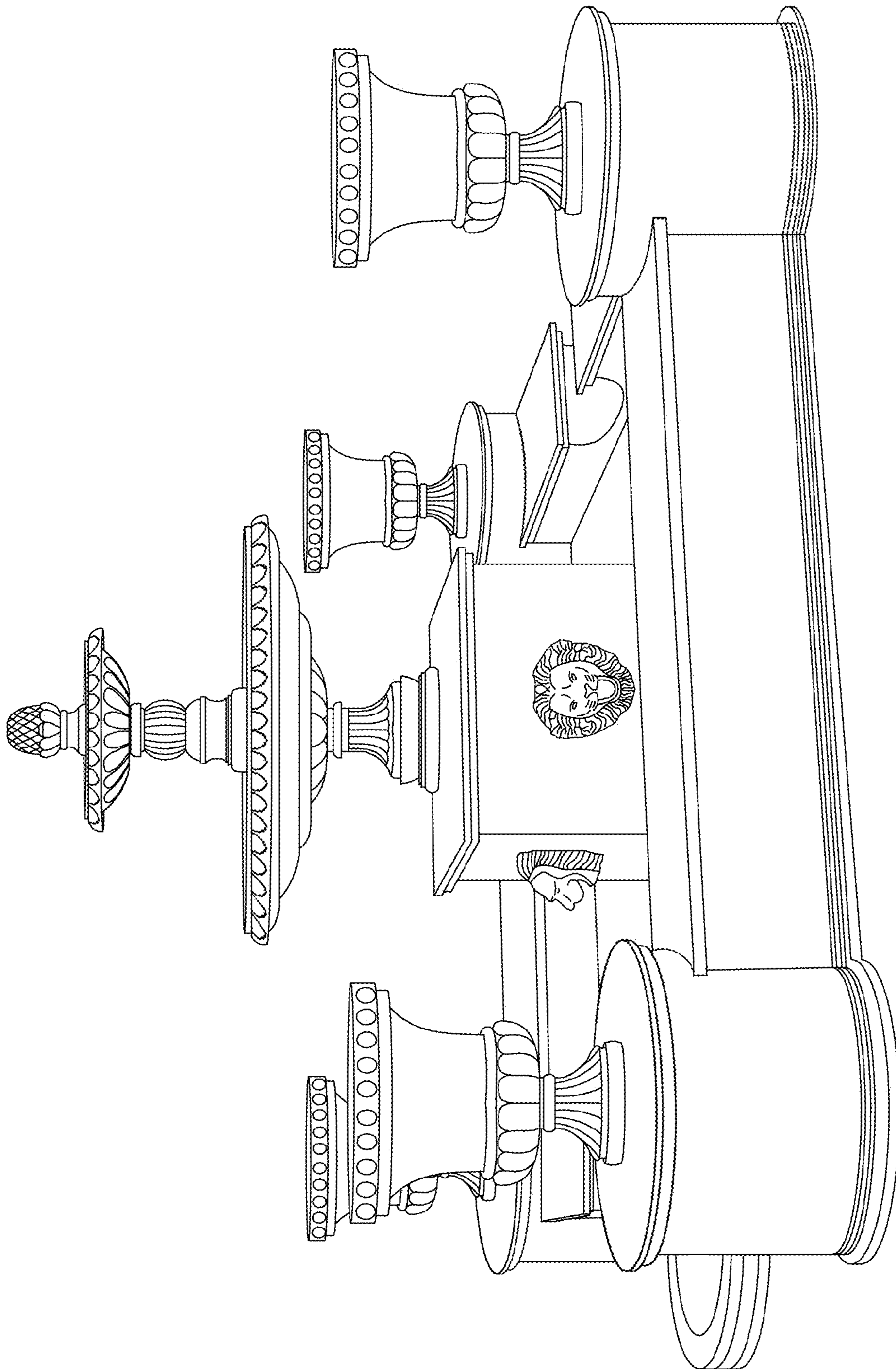


Fig.1

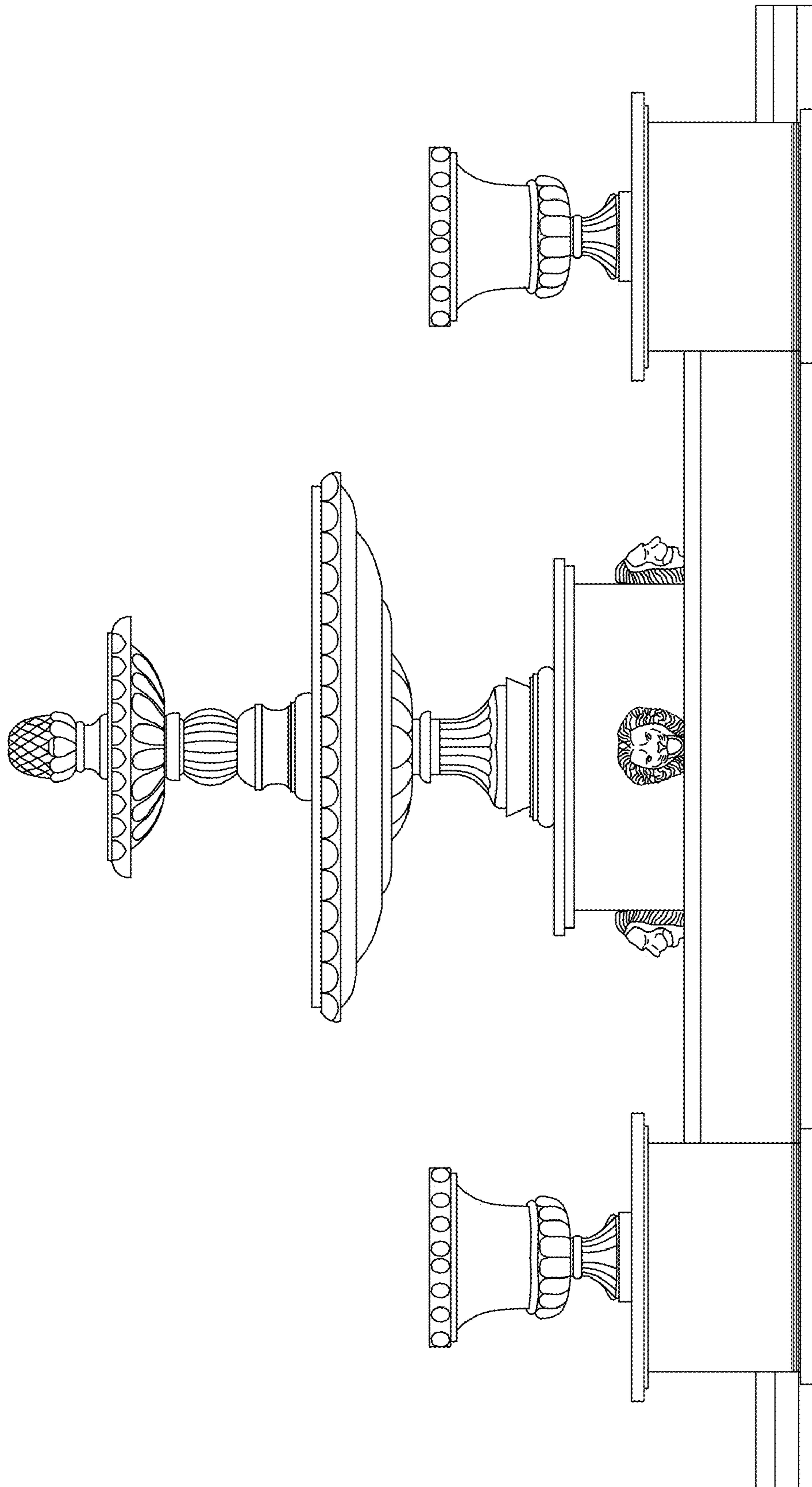


Fig.2

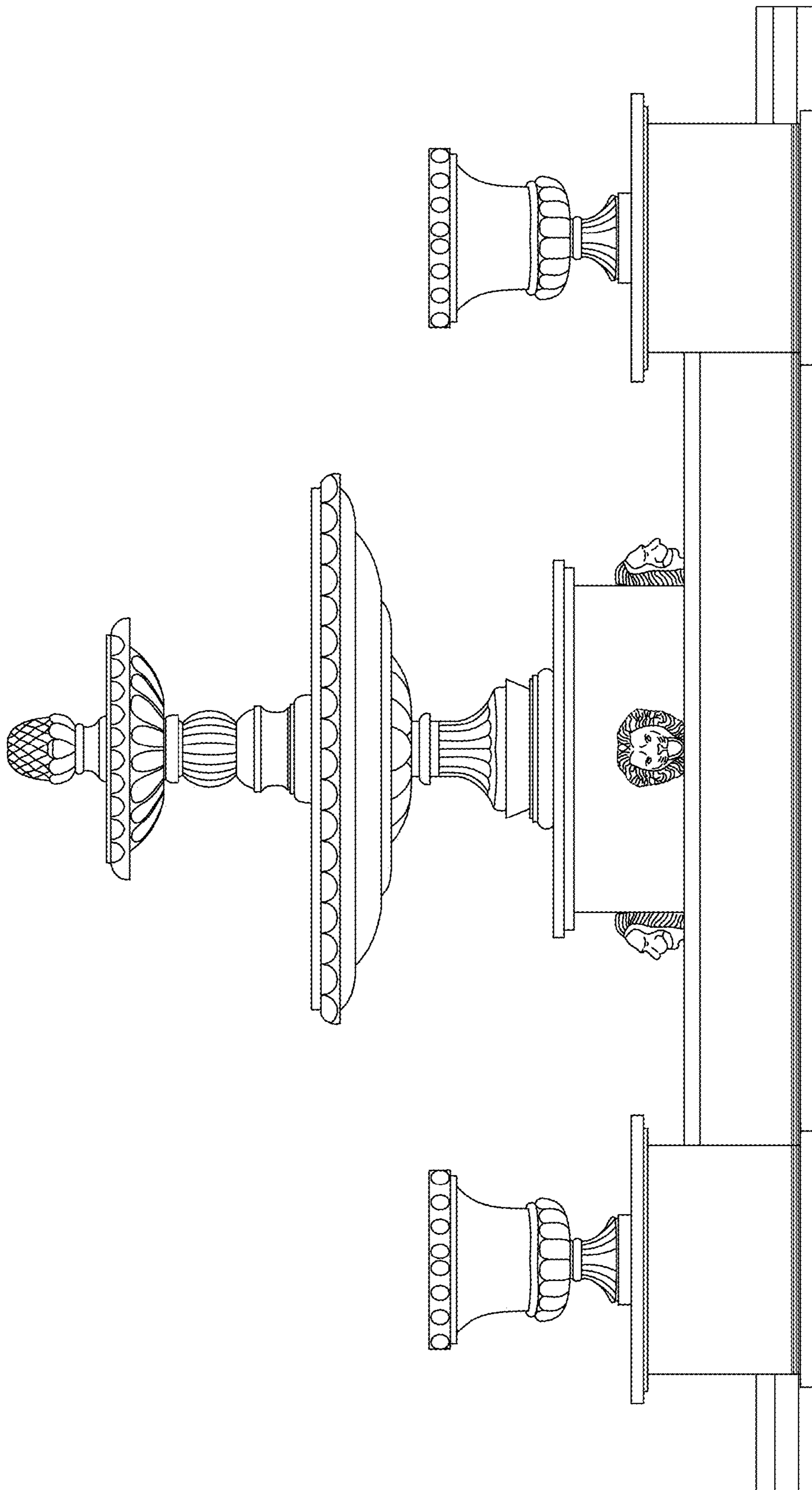


Fig.3

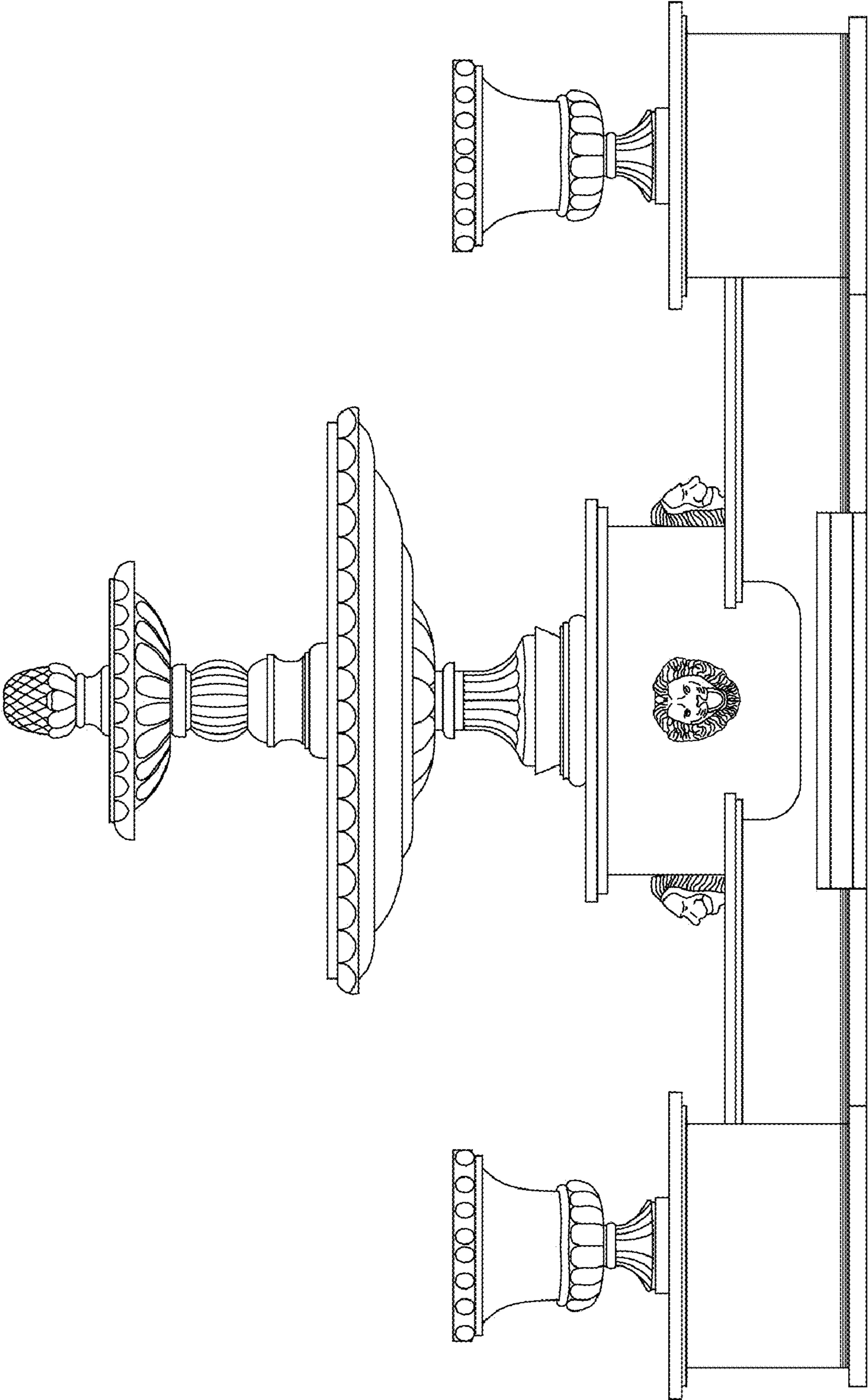


Fig.4

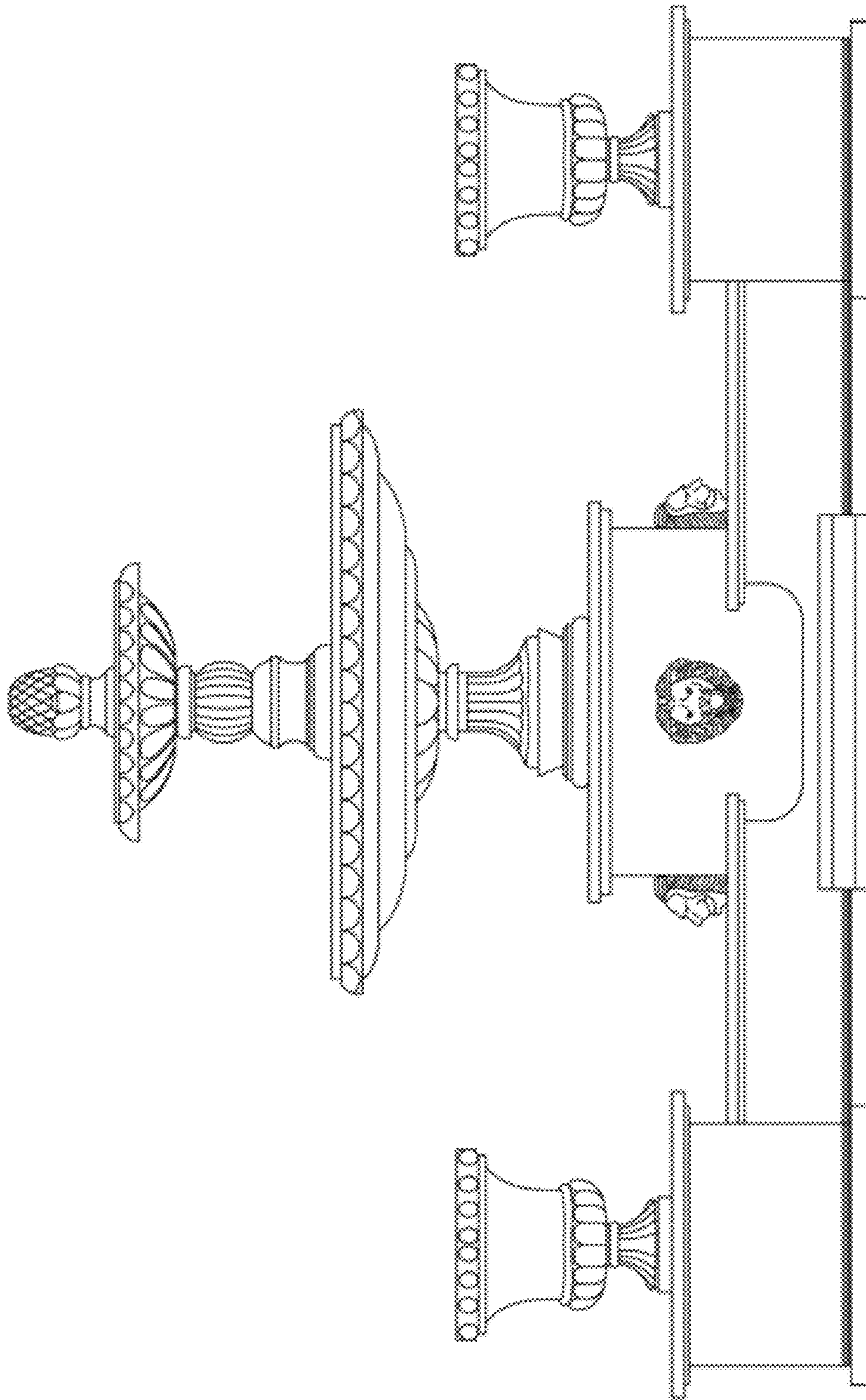


Fig. 5

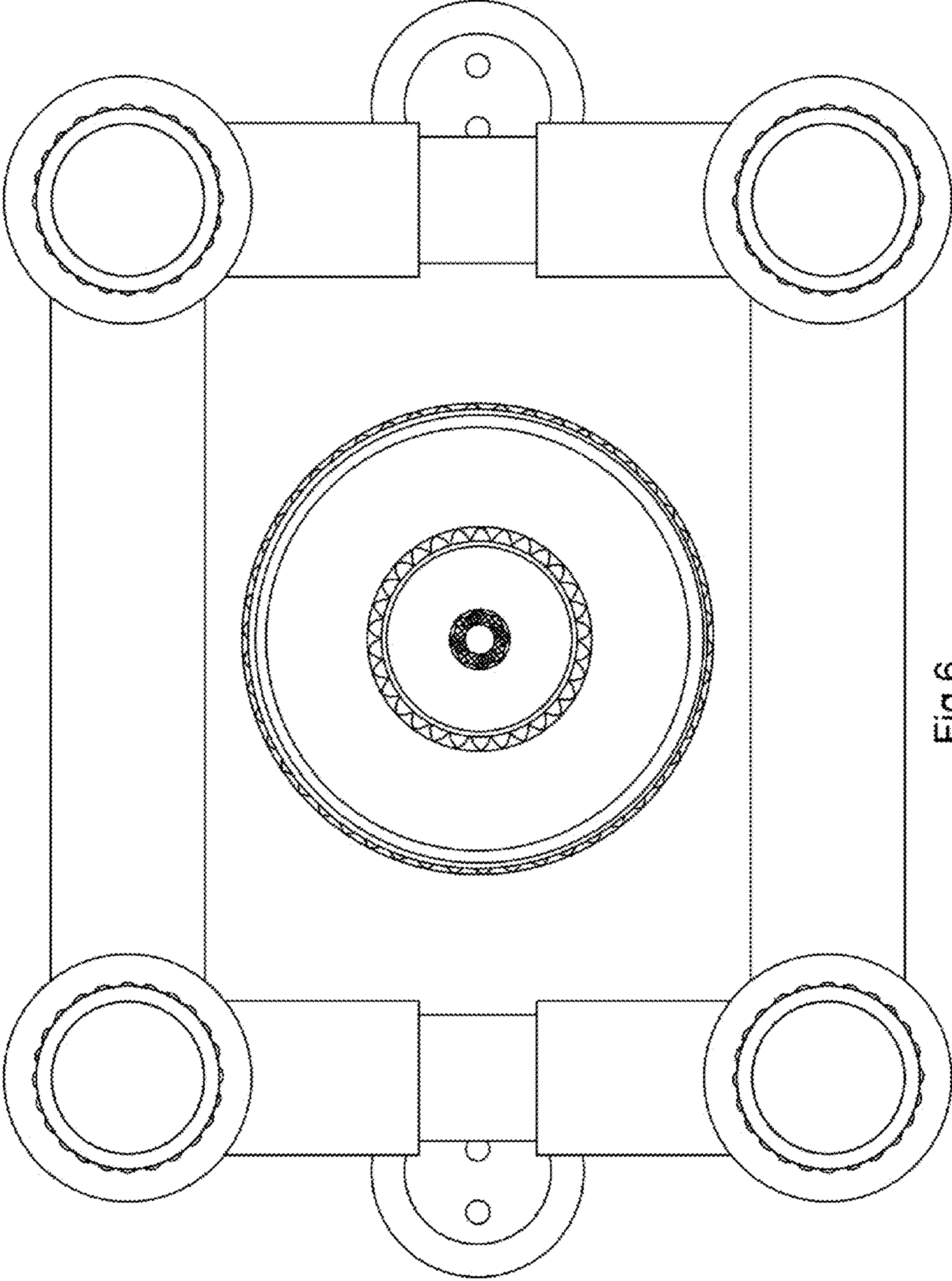


Fig.6