



US00D667918S

(12) **United States Design Patent**  
**KasanJian-King**

(10) **Patent No.:** **US D667,918 S**

(45) **Date of Patent:** **\*\* Sep. 25, 2012**

(54) **COMBINATION SCOPE AND STOCK MOUNT**

(76) **Inventor:** **Zackary KasanJian-King**, Blue Jay, CA (US)

(\*\*) **Term:** **14 Years**

(21) **Appl. No.:** **29/382,160**

(22) **Filed:** **Dec. 29, 2010**

(51) **LOC (9) Cl.** ..... **22-01**

(52) **U.S. Cl.** ..... **D22/109; D22/108**

(58) **Field of Classification Search** ..... D22/100, D22/101, 104, 105, 108, 109-114; 42/59, 42/71.01, 71.02, 72-74; 89/37.04; D21/572-574  
See application file for complete search history.

(56) **References Cited**

**U.S. PATENT DOCUMENTS**

D216,014 S	11/1969	Dupont	
3,922,794 A	12/1975	Ackerman, Jr.	
D256,830 S	9/1980	Bechtel	
D269,989 S	8/1983	Ross	
D291,469 S	8/1987	Bechtel	
D291,470 S	8/1987	Bechtel	
D318,313 S	7/1991	Bechtel	
D322,834 S	12/1991	Lawlor	
5,343,650 A *	9/1994	Swan	42/117
5,533,292 A *	7/1996	Swan	42/123
5,590,484 A *	1/1997	Mooney et al.	42/111
5,784,822 A	7/1998	Korapaty	
5,900,577 A *	5/1999	Robinson et al.	89/191.01
6,839,998 B1 *	1/2005	Armstrong	42/71.01
D544,564 S *	6/2007	Swan	D22/108
7,240,451 B2	7/2007	Blair	
D590,473 S *	4/2009	Fitzpatrick et al.	D22/103
D604,793 S *	11/2009	Fitzpatrick et al.	D22/108
7,798,045 B1 *	9/2010	Fitzpatrick et al.	89/1.4

7,827,724 B1	11/2010	Spinelli	
7,886,476 B1 *	2/2011	Swan	42/127
2006/0236582 A1 *	10/2006	Lewis et al.	42/73
2009/0178325 A1 *	7/2009	Veilleux	42/117
2009/0211140 A1 *	8/2009	Rolfe	42/71.01
2011/0005384 A1 *	1/2011	Lewis et al.	89/191.01

\* cited by examiner

*Primary Examiner* — Michael A Pratt

(74) *Attorney, Agent, or Firm* — Kirk A. Buhler; Buhler & Associates

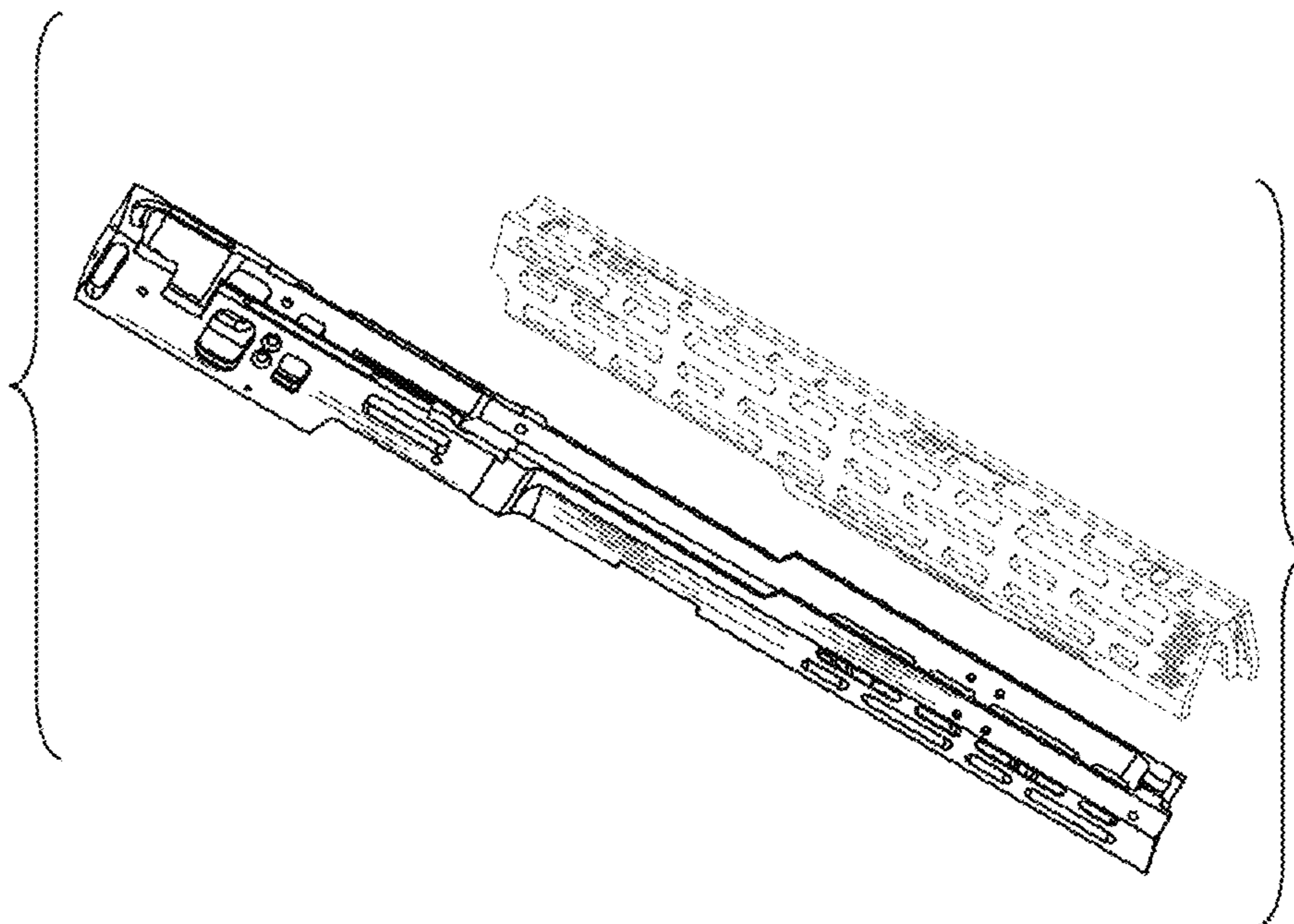
(57) **CLAIM**

The ornamental design for a combination scope and stock mount, as shown and described.

**DESCRIPTION**

FIG. 1 is a top front perspective view for a combination scope and stock mount showing my new design;  
 FIG. 2 is a right side view thereof;  
 FIG. 3 is a left side view thereof;  
 FIG. 4 is a back side view thereof;  
 FIG. 5 is a front side view thereof;  
 FIG. 6 is a bottom side view thereof;  
 FIG. 7 is a top side view thereof;  
 FIG. 8 is a bottom side view taken along lines 8-8 from FIG. 3 thereof;  
 FIG. 9 is a bottom side view taken along lines 9-9 from FIG. 2 thereof, and,  
 FIG. 10 is a front perspective view thereof shown in an environment of use.  
 The broken lines in FIG. 4, FIG. 5, FIG. 6, FIG. 8, FIG. 9 and FIG. 10 depict environmental subject matter of rifle for the invention and forms no part of the claimed design.

**1 Claim, 6 Drawing Sheets**



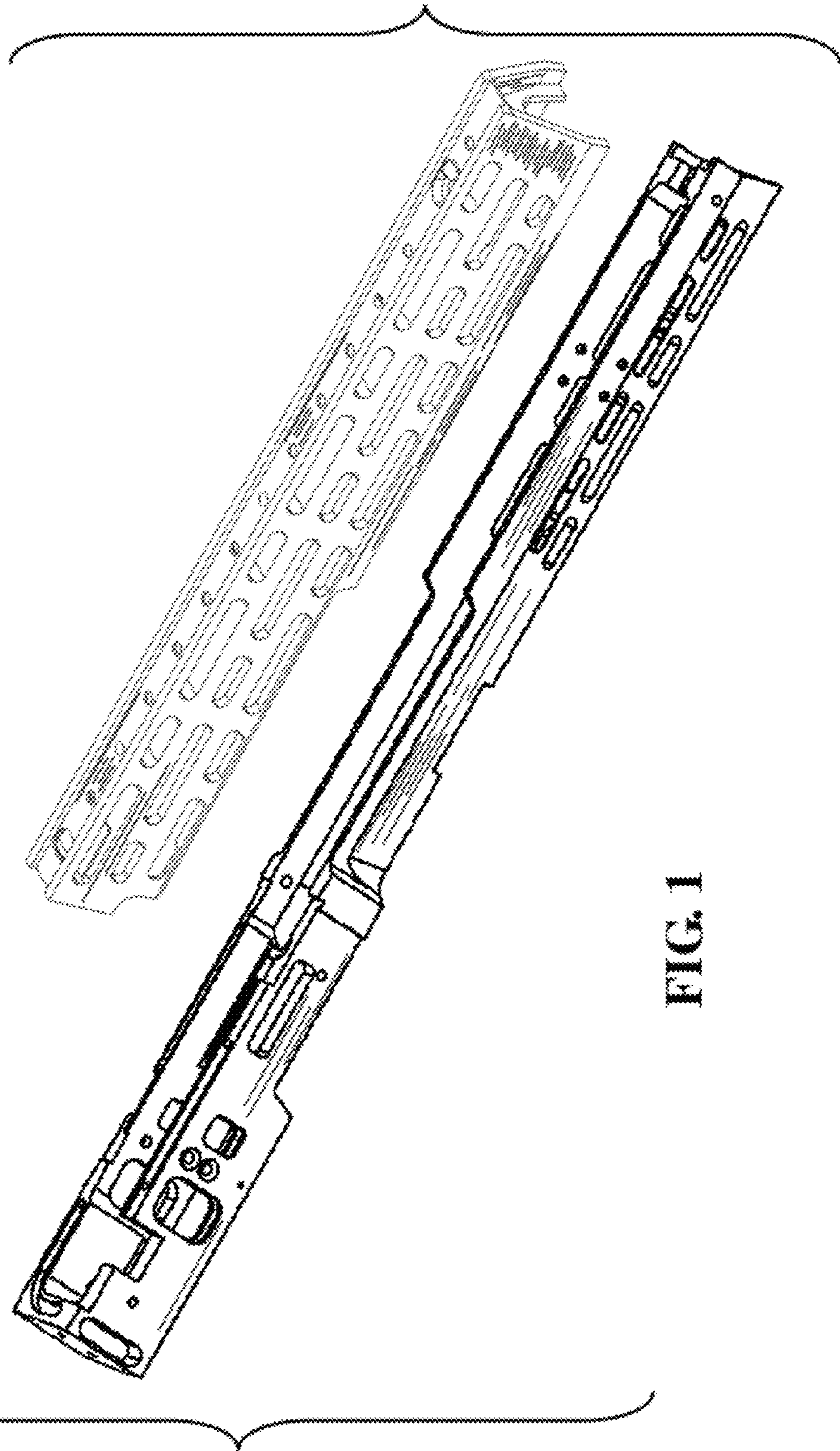


FIG. 1

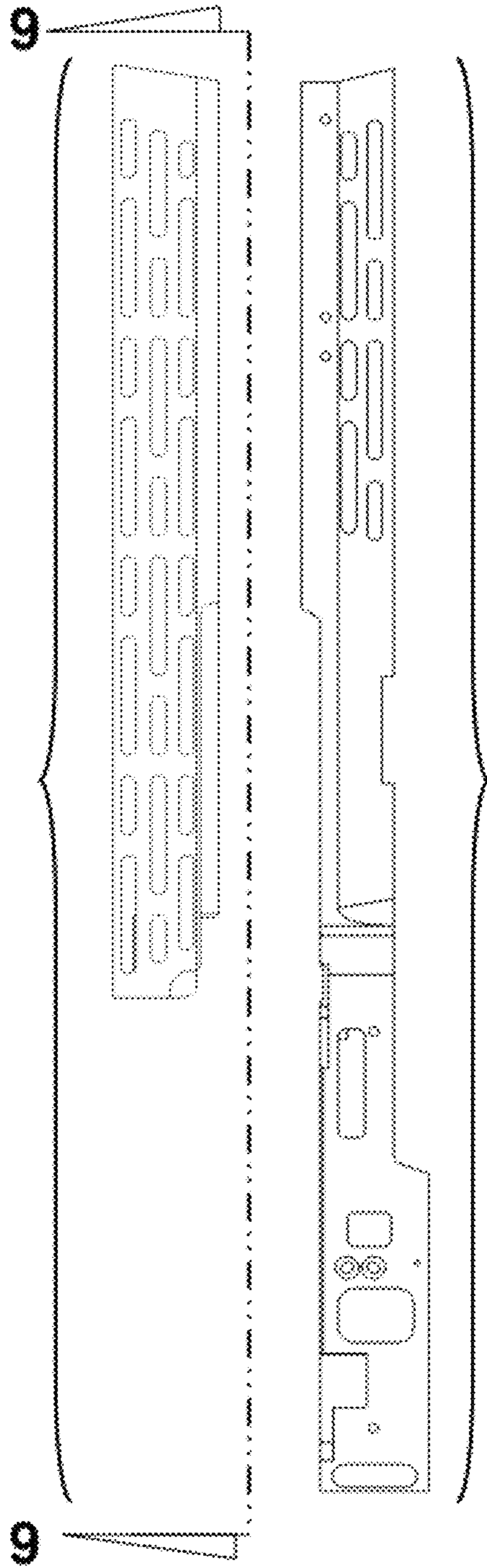


FIG. 2

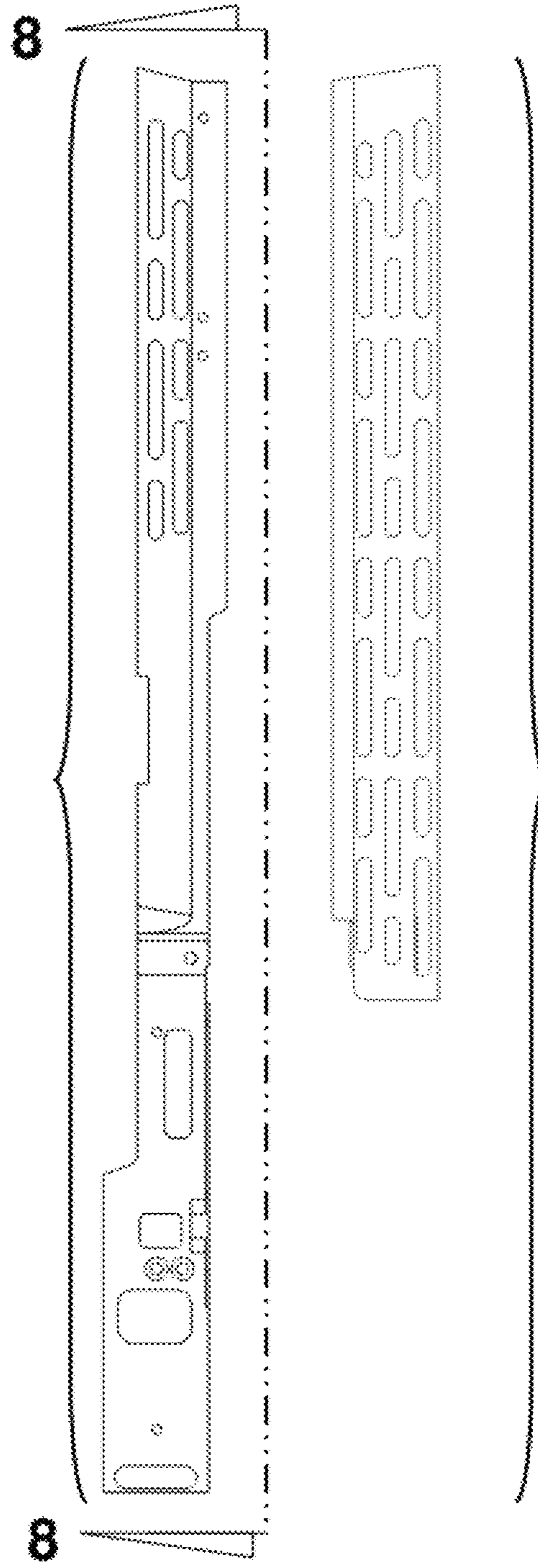


FIG. 3

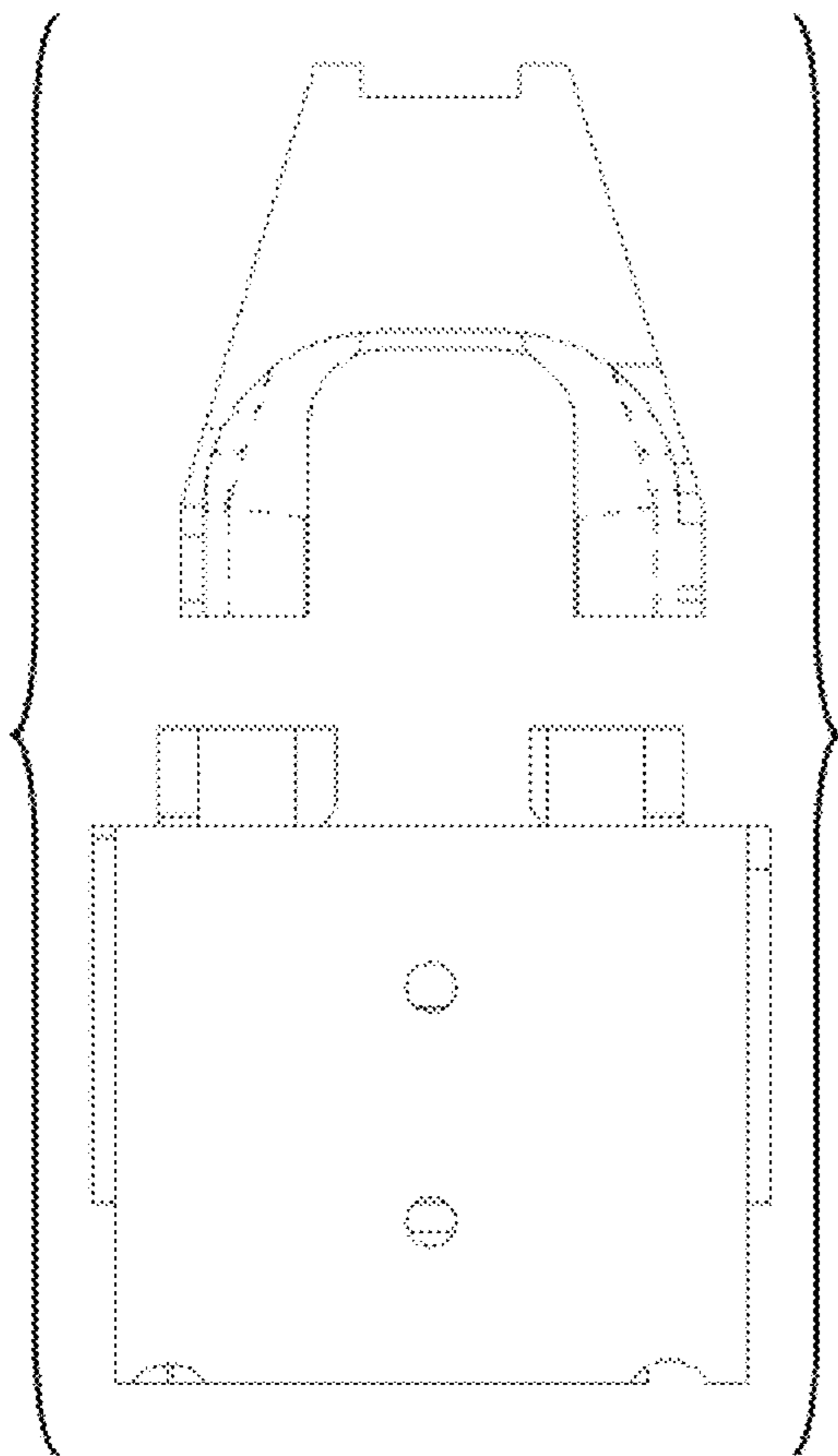


FIG 4

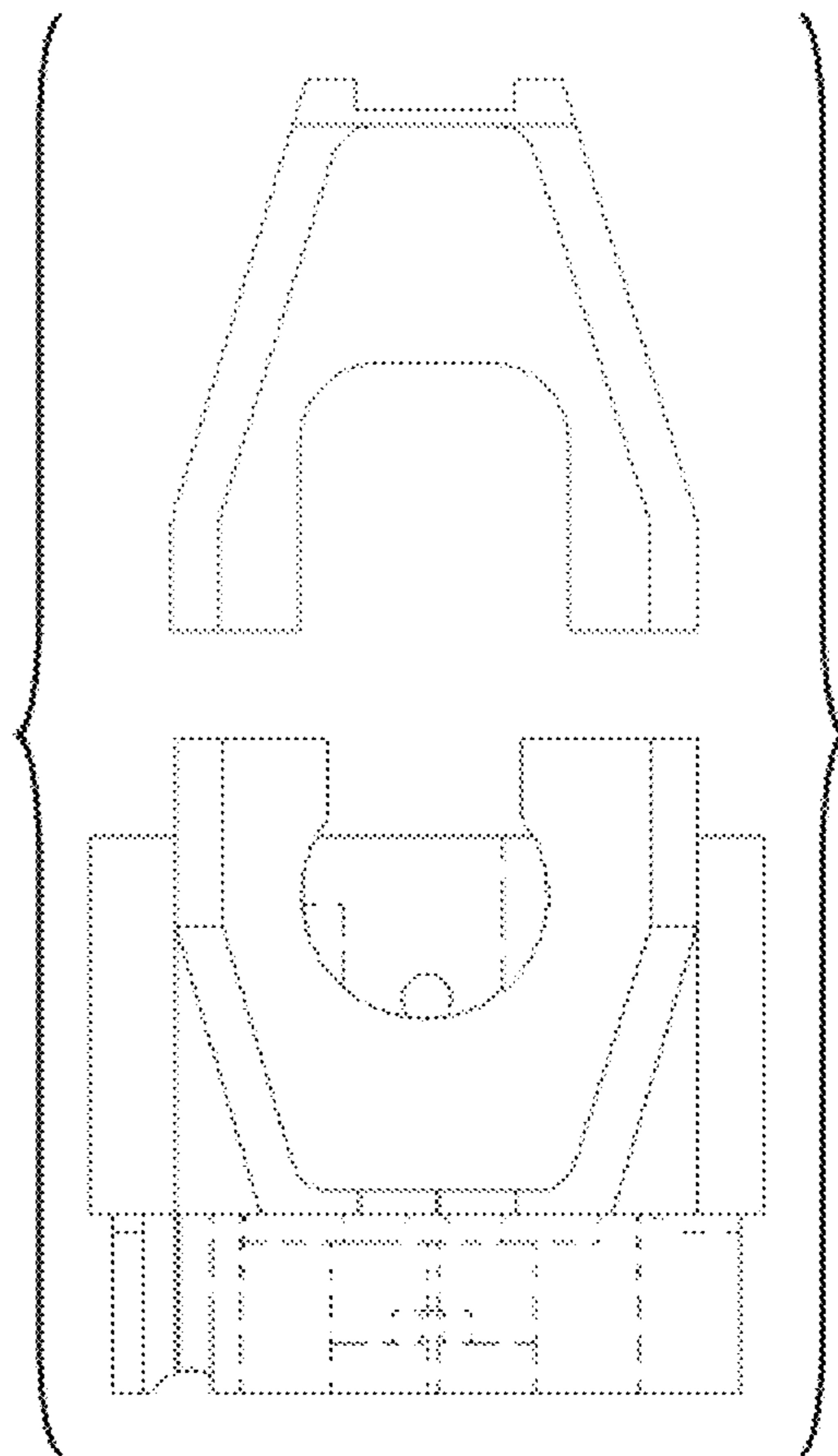


FIG 5

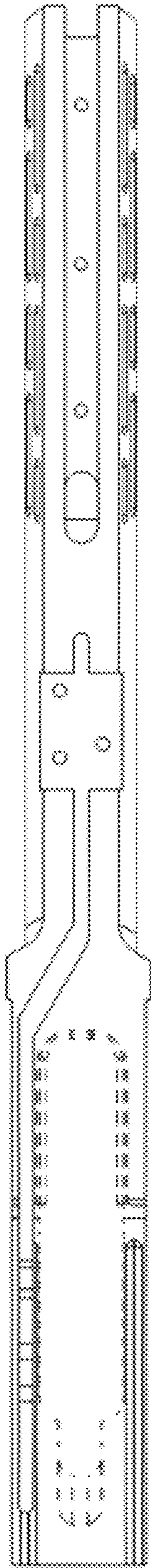


FIG. 6

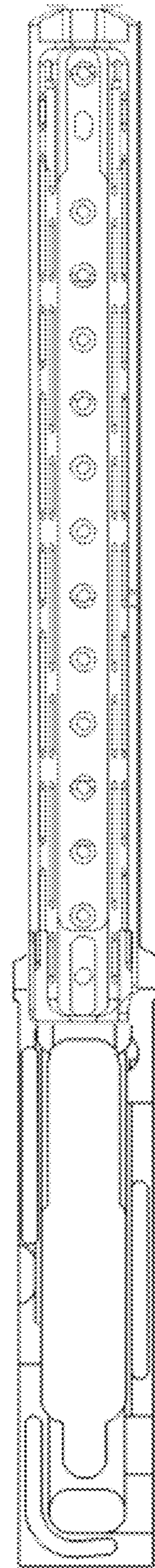
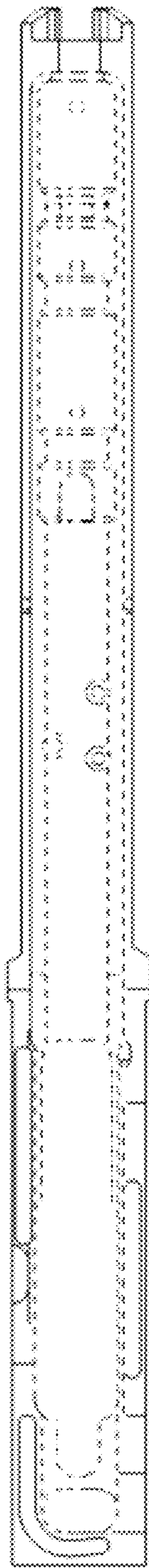
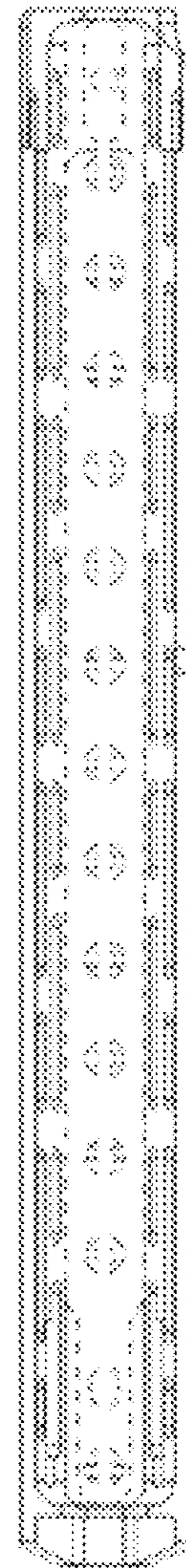


FIG. 7



**FIG. 8**



**FIG. 9**

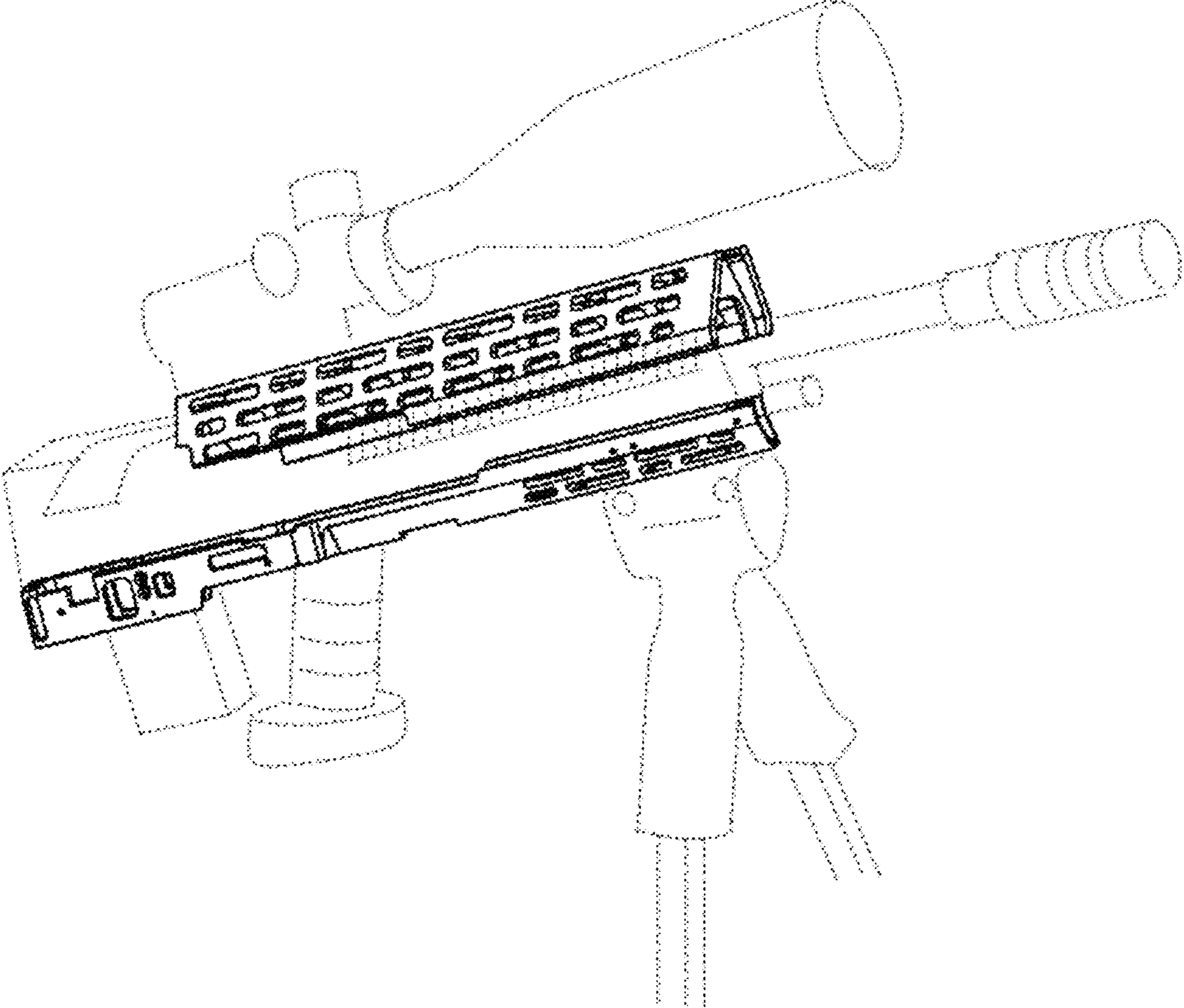


FIG. 10