



US00D667917S

(12) **United States Design Patent**  
**Fitzpatrick et al.**

(10) **Patent No.:** **US D667,917 S**

(45) **Date of Patent:** **\*\* Sep. 25, 2012**

(54) **RAIL COVER WITH SURFACE PARTITIONS**

7,562,483 B2 7/2009 Hines  
D625,378 S \* 10/2010 Fitzpatrick et al. .... D22/108  
7,856,749 B2 12/2010 Fitzpatrick

(Continued)

(75) Inventors: **Richard Fitzpatrick**, Longmont, CO (US); **Michael T. Mayberry**, Denver, CO (US); **Jeremy Kerbs**, Erie, CO (US); **Eric Christopher Burt**, Broomfield, CO (US); **Michael J. Baranello**, Longmont, CO (US)

**OTHER PUBLICATIONS**

U.S. Appl. No. 29/400,006, filed Aug. 22, 2011, "Rail Cover Half".

(Continued)

(73) Assignee: **Magpul Industries Corporation**, Erie, CO (US)

*Primary Examiner* — Michael A Pratt

(74) *Attorney, Agent, or Firm* — Swanson & Bratschun, L.L.C.

(\*\*) Term: **14 Years**

(57) **CLAIM**

(21) Appl. No.: **29/400,004**

The ornamental design for a rail cover with surface partitions, as shown and described.

(22) Filed: **Aug. 22, 2011**

**DESCRIPTION**

(51) **LOC (9) Cl.** ..... **22-01**

(52) **U.S. Cl.** ..... **D22/108**

(58) **Field of Classification Search** ..... D22/100,  
D22/108-110, 199; 42/11, 72, 90, 85, 71.01,  
42/75.02, 106, 113-114, 124-125, 127-128;  
248/201, 205.1

See application file for complete search history.

FIG. 1 is a bottom, left, front perspective view of a rail cover with surface partitions attached to a firearm showing our new design;

FIG. 2 is a left, rear, bottom perspective view of the rail cover with surface partitions of FIG. 1 with the firearm omitted;

FIG. 3 is a left side elevation view of the rail cover with surface partitions of FIG. 1, the right side being a mirror image thereof;

FIG. 4 is a front elevation view of the rail cover with surface partitions of FIG. 1, the rear being a mirror image thereof;

FIG. 5 is a bottom plan view of the rail cover with surface partitions of FIG. 1;

FIG. 6 is a top plan view of the rail cover with surface partitions of FIG. 1; and,

FIG. 7 is a left, front, top perspective view of the rail cover with surface partitions of FIG. 1.

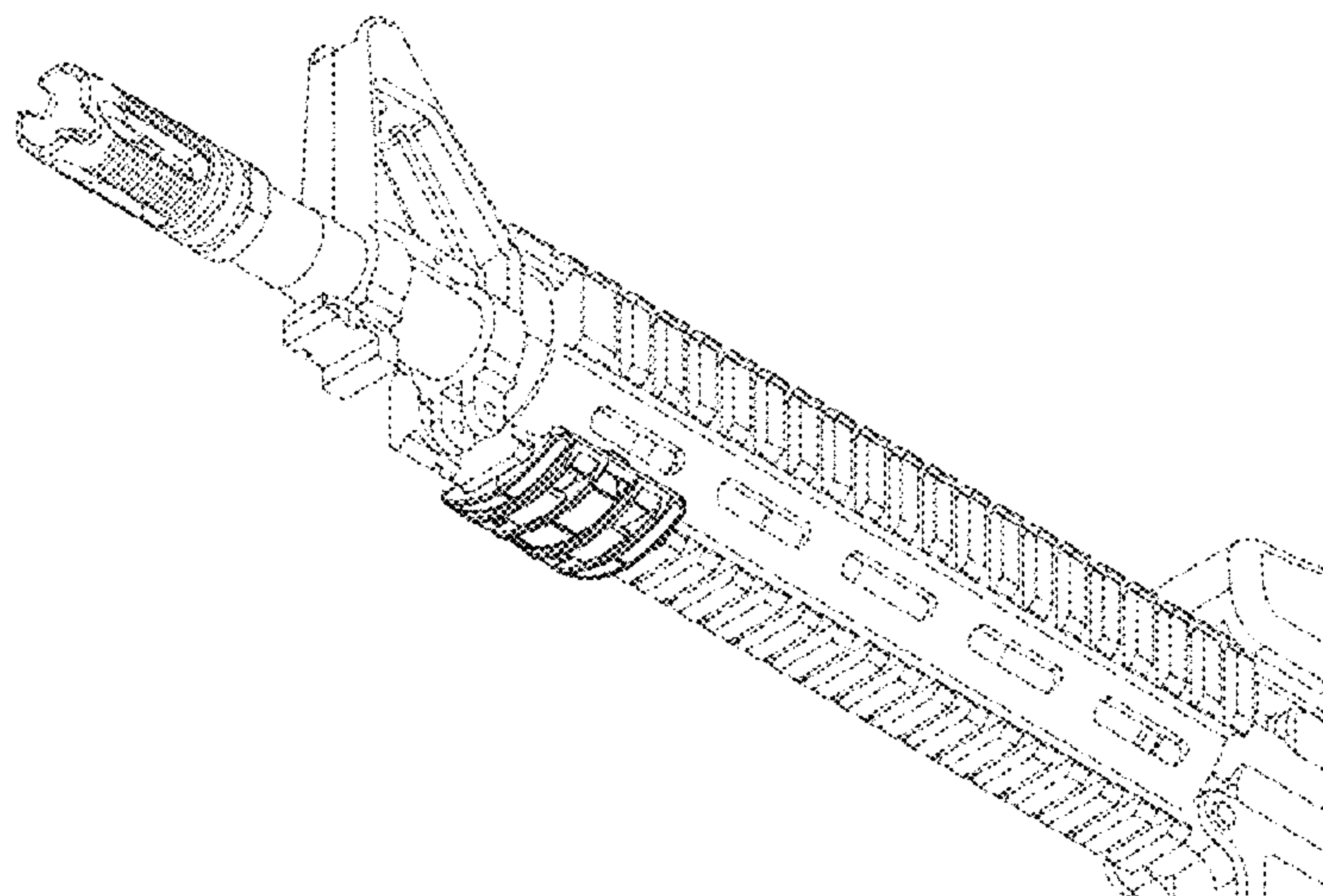
The broken lines showing portions of the design in all figures is included for the purpose of illustrating environment and unclaimed features and forms not part of the claimed design.

(56) **References Cited**

**U.S. PATENT DOCUMENTS**

4,934,085	A	6/1990	Lough	
D391,335	S *	2/1998	Bechtel	D22/110
5,826,363	A	10/1998	Olson	
D429,790	S *	8/2000	Plonka	D22/110
6,421,946	B1	7/2002	LoRocco	
6,725,594	B2 *	4/2004	Hines	42/90
6,782,652	B1 *	8/2004	Erickson	42/143
6,836,990	B2	1/2005	Shiloni	
6,895,708	B2	5/2005	Kim et al.	
D508,726	S	8/2005	Storch	
7,117,625	B2	10/2006	Pikielny	
7,430,828	B2	10/2008	Munst	
7,438,430	B2	10/2008	Kim	
7,441,918	B2	10/2008	Kim	

**1 Claim, 4 Drawing Sheets**



# US D667,917 S

Page 2

---

## U.S. PATENT DOCUMENTS

7,971,383 B2 7/2011 Fitzpatrick  
D644,706 S \* 9/2011 Trusty ..... D22/108  
D652,470 S \* 1/2012 Trusty ..... D22/108  
D652,887 S \* 1/2012 Trusty ..... D22/108  
D655,776 S \* 3/2012 Trusty ..... D22/108  
2003/0074822 A1 4/2003 Faifer  
2003/0106252 A1 6/2003 Hines  
2004/0064994 A1 4/2004 Luke

2009/0038198 A1 2/2009 Yu  
2009/0241397 A1 10/2009 Fitzpatrick  
2010/0236124 A1 9/2010 Troy

## OTHER PUBLICATIONS

U.S. Appl. No. 29/400,444, filed Aug. 29, 2011, "Rail Cover Index Attachment".

\* cited by examiner

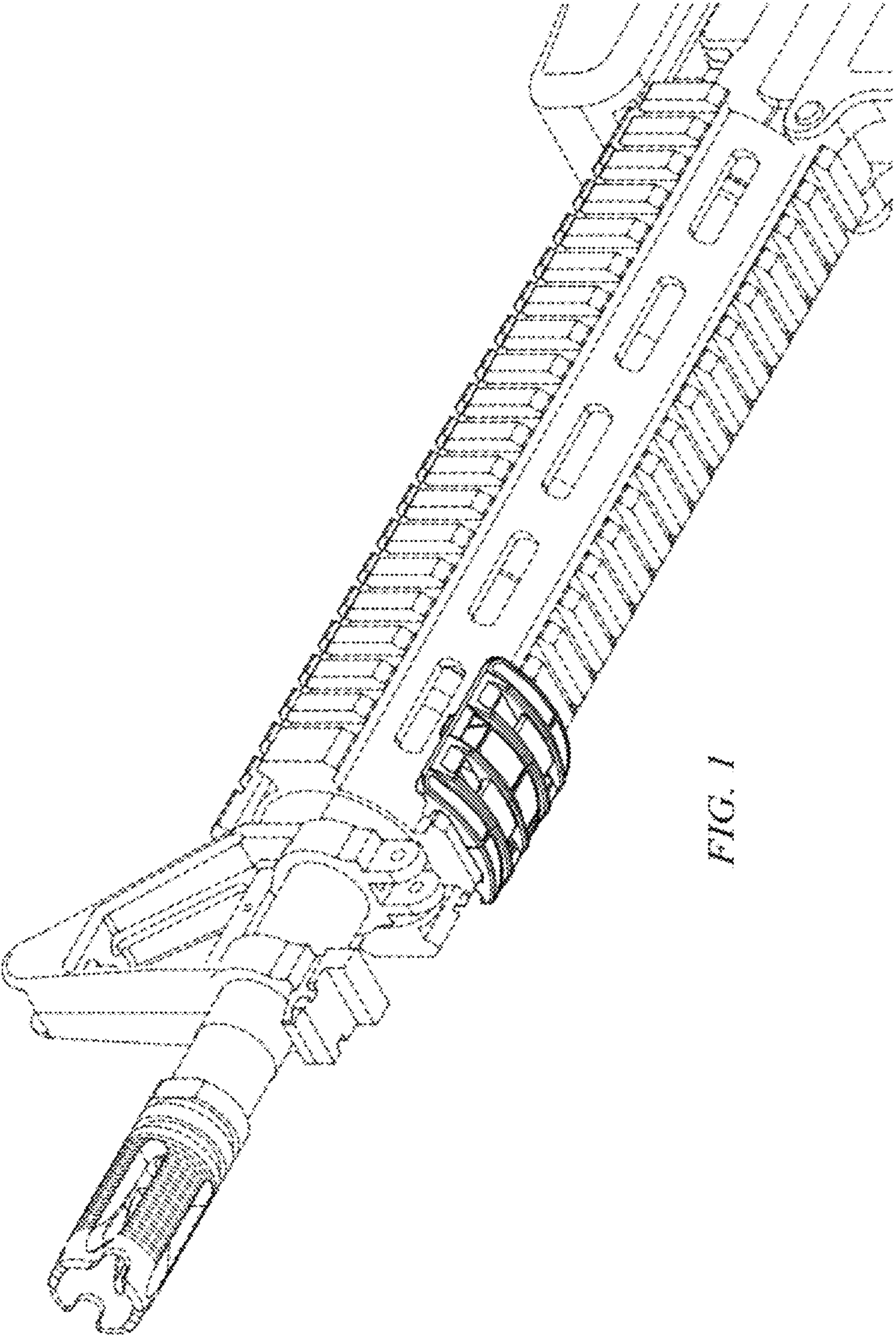


FIG. 1



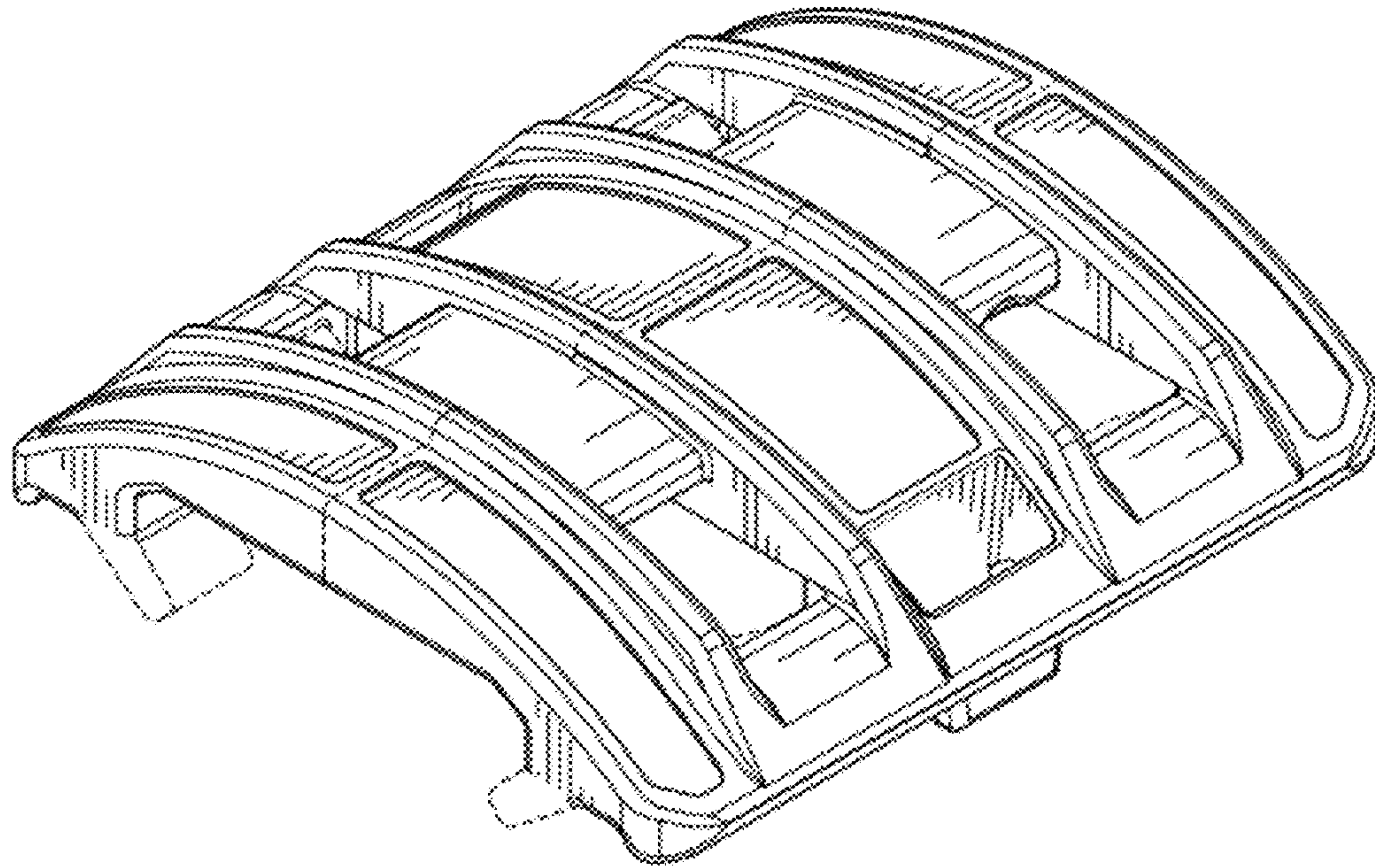


FIG. 2

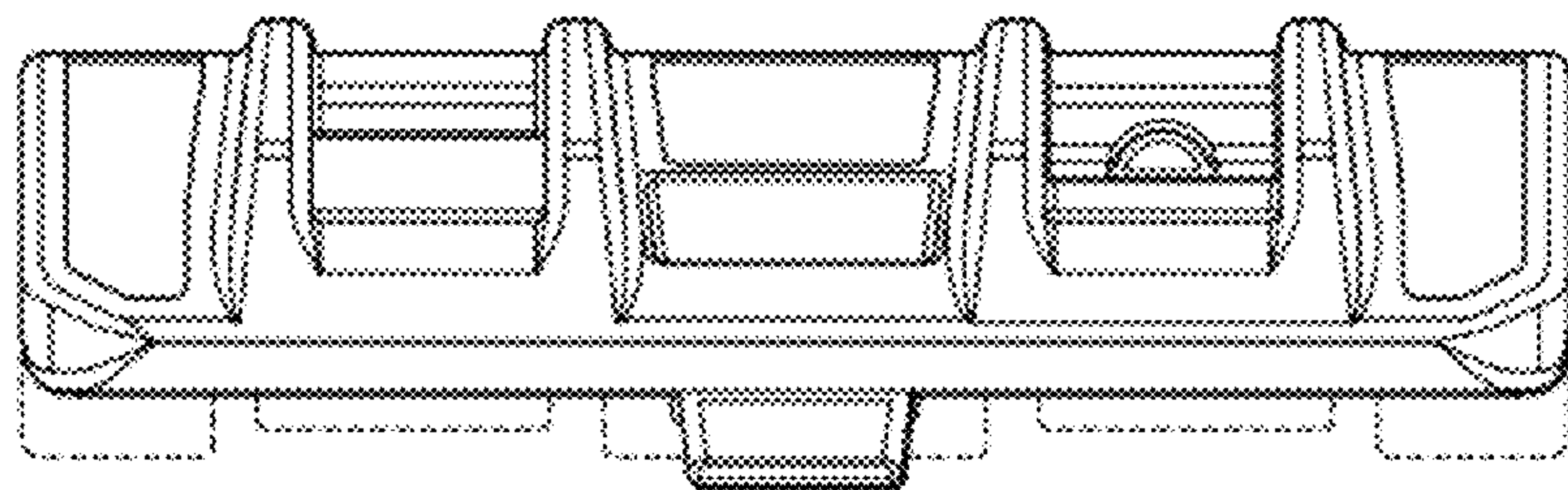


FIG. 3

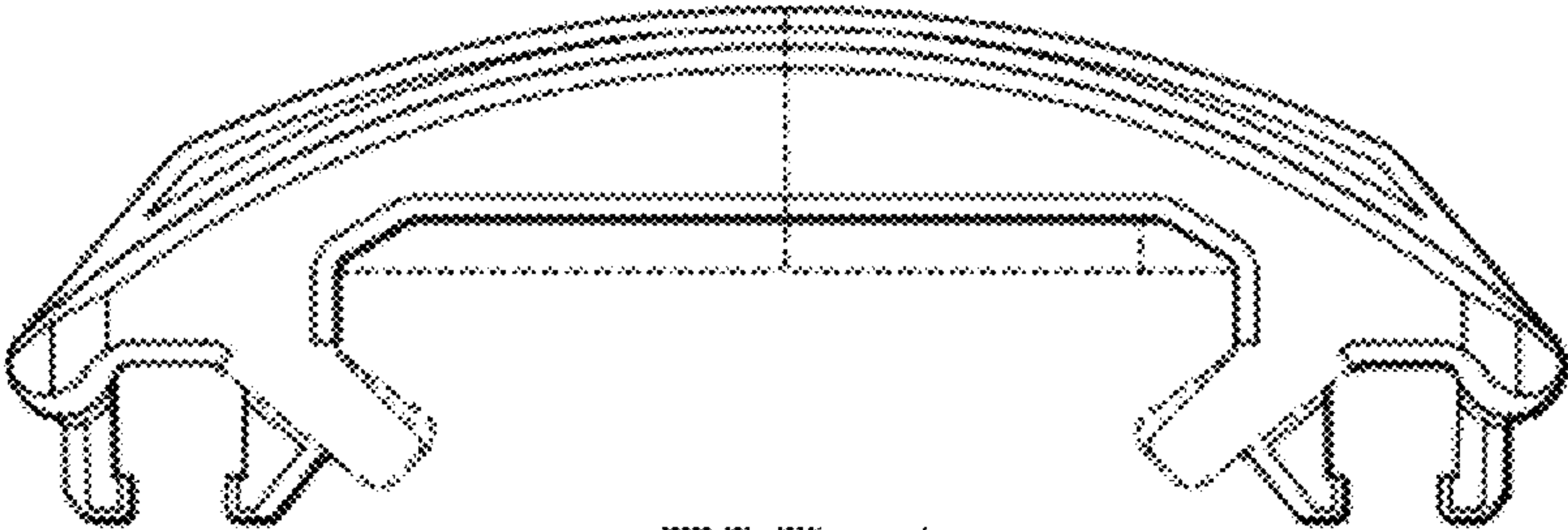


FIG. 4

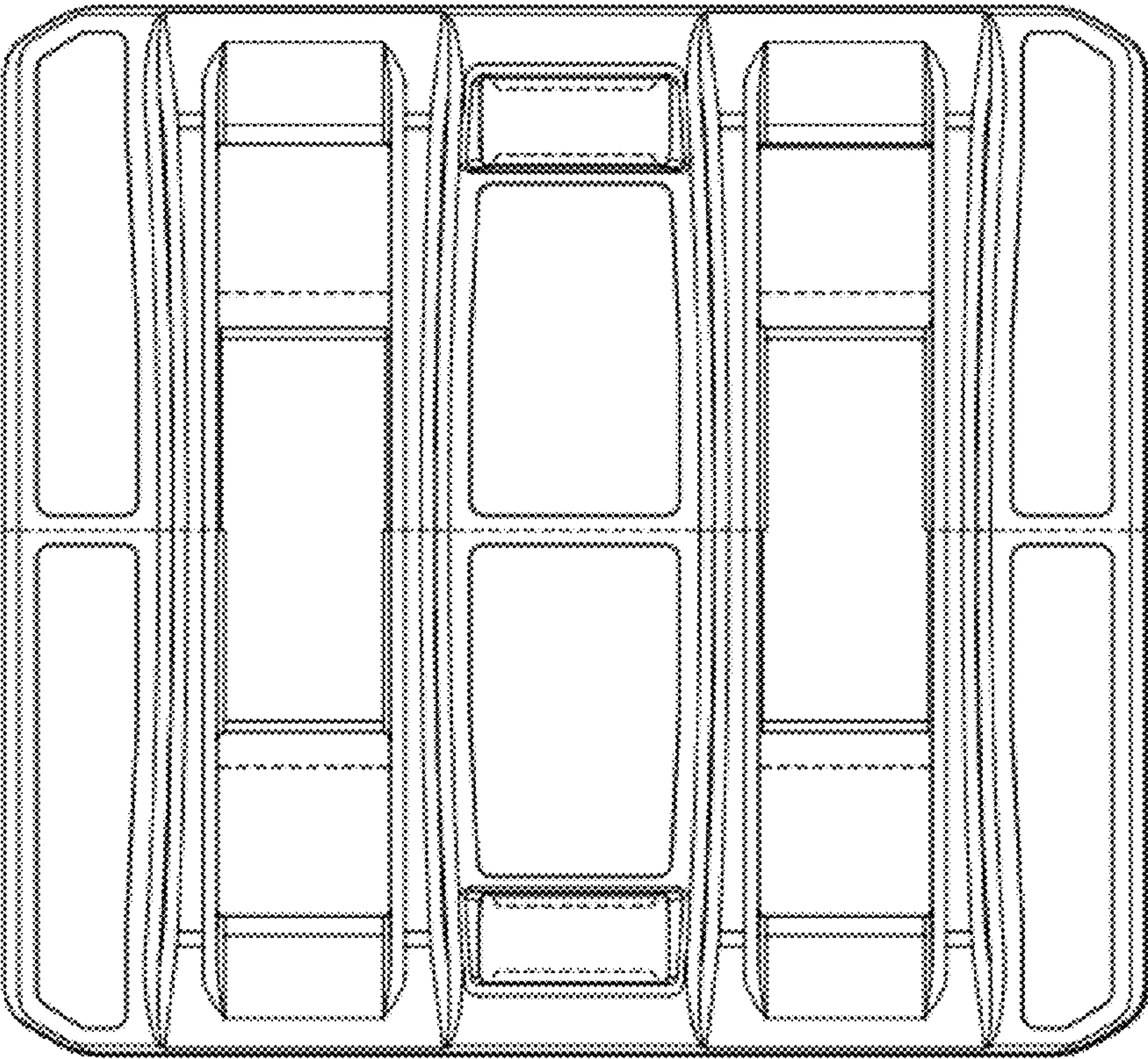


FIG. 5



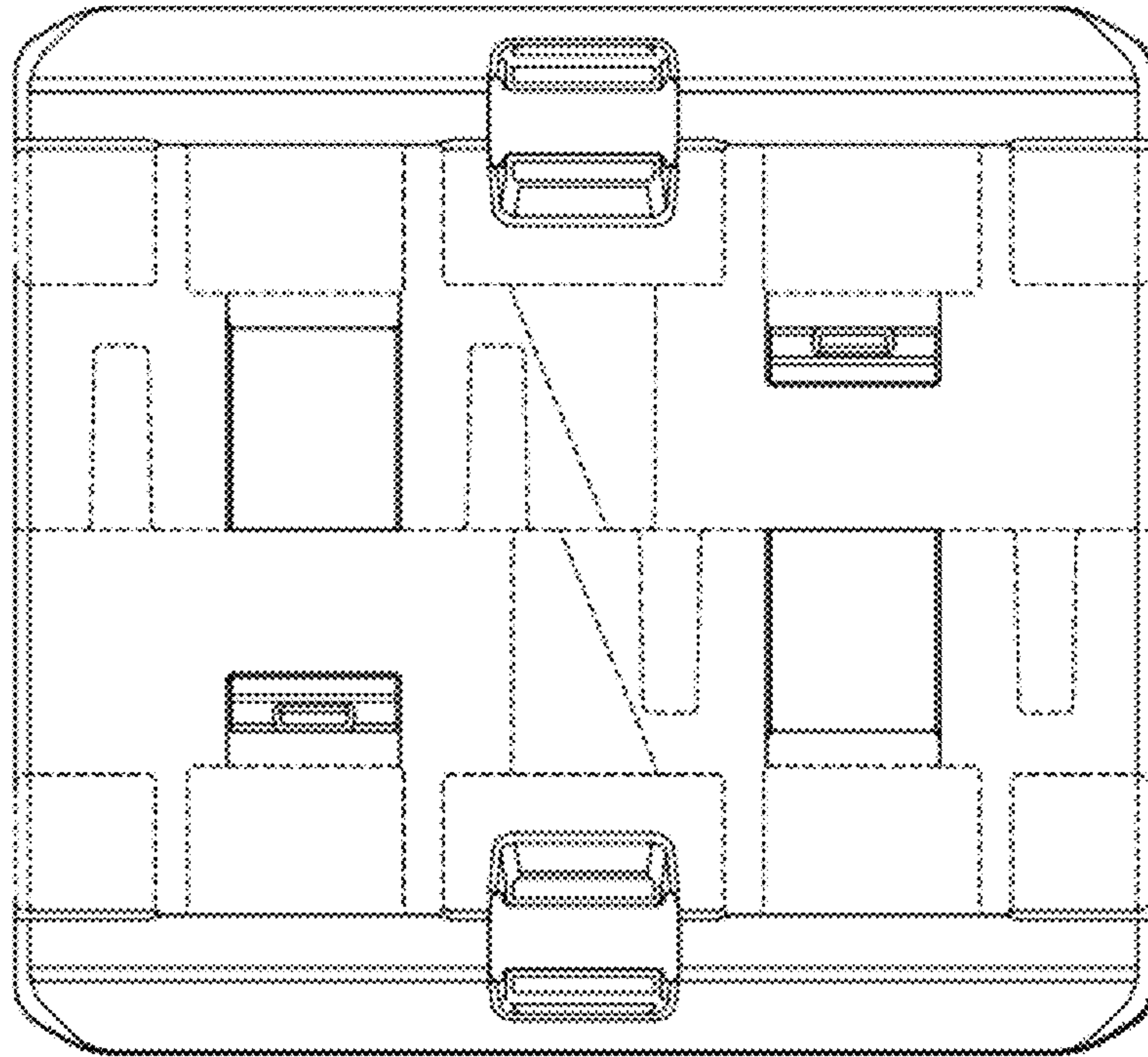


FIG. 6

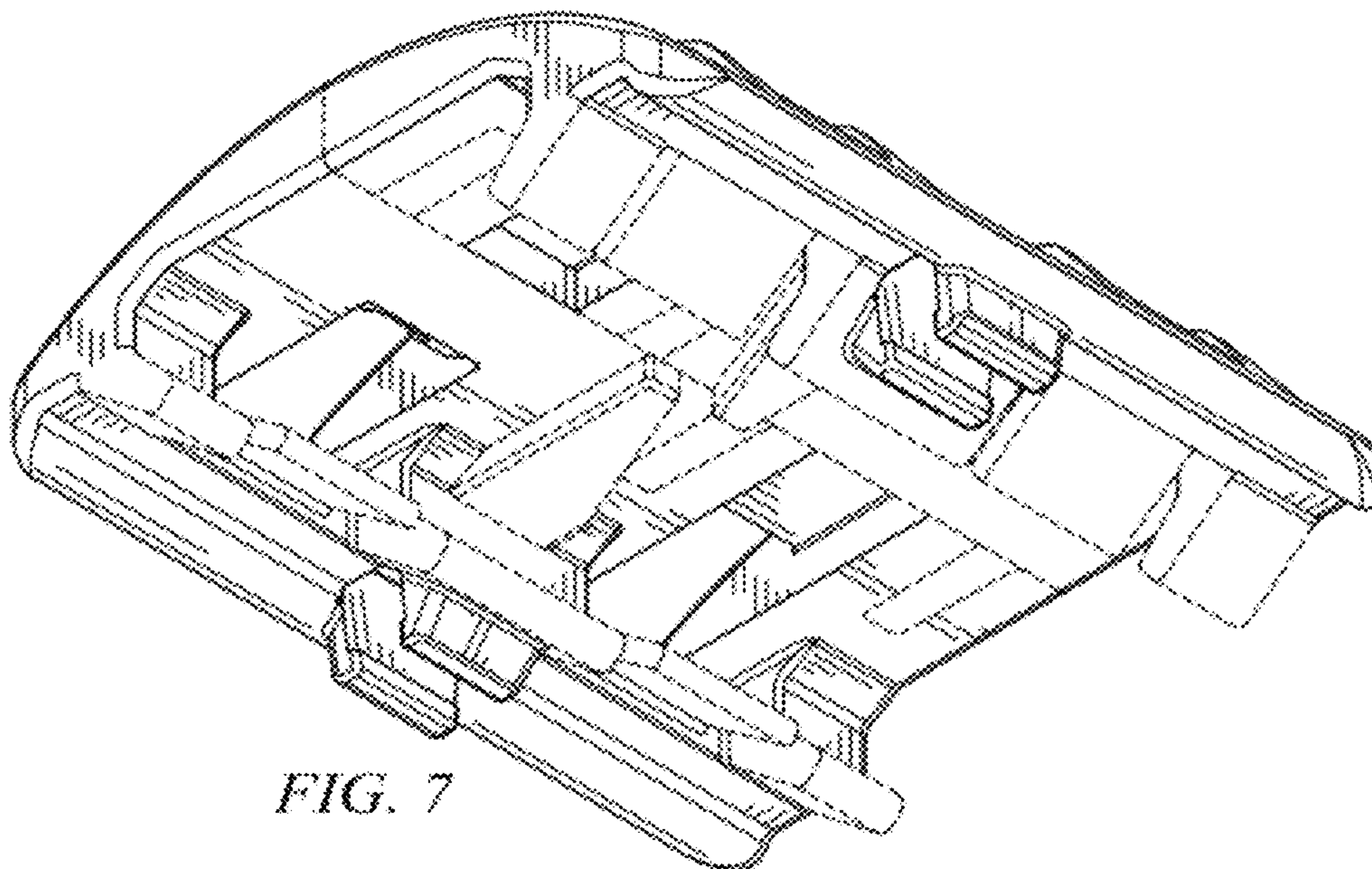


FIG. 7