

US00D667916S

(12) **United States Design Patent**
Mayberry

(10) **Patent No.:** **US D667,916 S**

(45) **Date of Patent:** **** Sep. 25, 2012**

(54) **FIREARM K GRIP**

(75) Inventor: **Michael T. Mayberry**, Denver, CO (US)

(73) Assignee: **Magpul Industries Corporation**, Erie, CO (US)

(**) Term: **14 Years**

(21) Appl. No.: **29/399,259**

(22) Filed: **Aug. 11, 2011**

(51) **LOC (9) Cl.** **22-01**

(52) **U.S. Cl.** **D22/108**

(58) **Field of Classification Search** D22/100,
D22/108, 199; 42/71.01-74; D21/573-575;
D8/68

See application file for complete search history.

(56) **References Cited**

U.S. PATENT DOCUMENTS

D410,988	S *	6/1999	Hines	D22/108
6,658,781	B1	12/2003	Bowen		
6,854,205	B2 *	2/2005	Wikle et al.	42/71.02
6,981,344	B2 *	1/2006	Cahill et al.	42/71.01
D517,152	S *	3/2006	Murello et al.	D22/103
7,121,034	B2	10/2006	Keng		
7,356,958	B2	4/2008	Weir		
D598,065	S *	8/2009	Vukovic et al.	D22/104
D633,163	S	2/2011	Fitzpatrick et al.		
D639,889	S *	6/2011	Troy, Jr.	D22/108
8,091,265	B1 *	1/2012	Teetzel et al.	42/72
8,156,676	B1 *	4/2012	Moody	42/71.01
8,205,373	B1 *	6/2012	Ubl et al.	42/71.01
2005/0183317	A1 *	8/2005	Finn	42/72

2008/0052979	A1	3/2008	Lee et al.		
2009/0038200	A1	2/2009	Keng		
2011/0107643	A1 *	5/2011	Fitzpatrick et al.	42/72
2011/0185617	A1 *	8/2011	Brixius	42/71.01
2011/0283584	A1 *	11/2011	Walters	42/73
2012/0180354	A1 *	7/2012	Sullivan et al.	42/16
2012/0180356	A1 *	7/2012	Bender	42/69.01

* cited by examiner

Primary Examiner — Michael A Pratt

(74) *Attorney, Agent, or Firm* — Swanson & Bratschun, L.L.C.

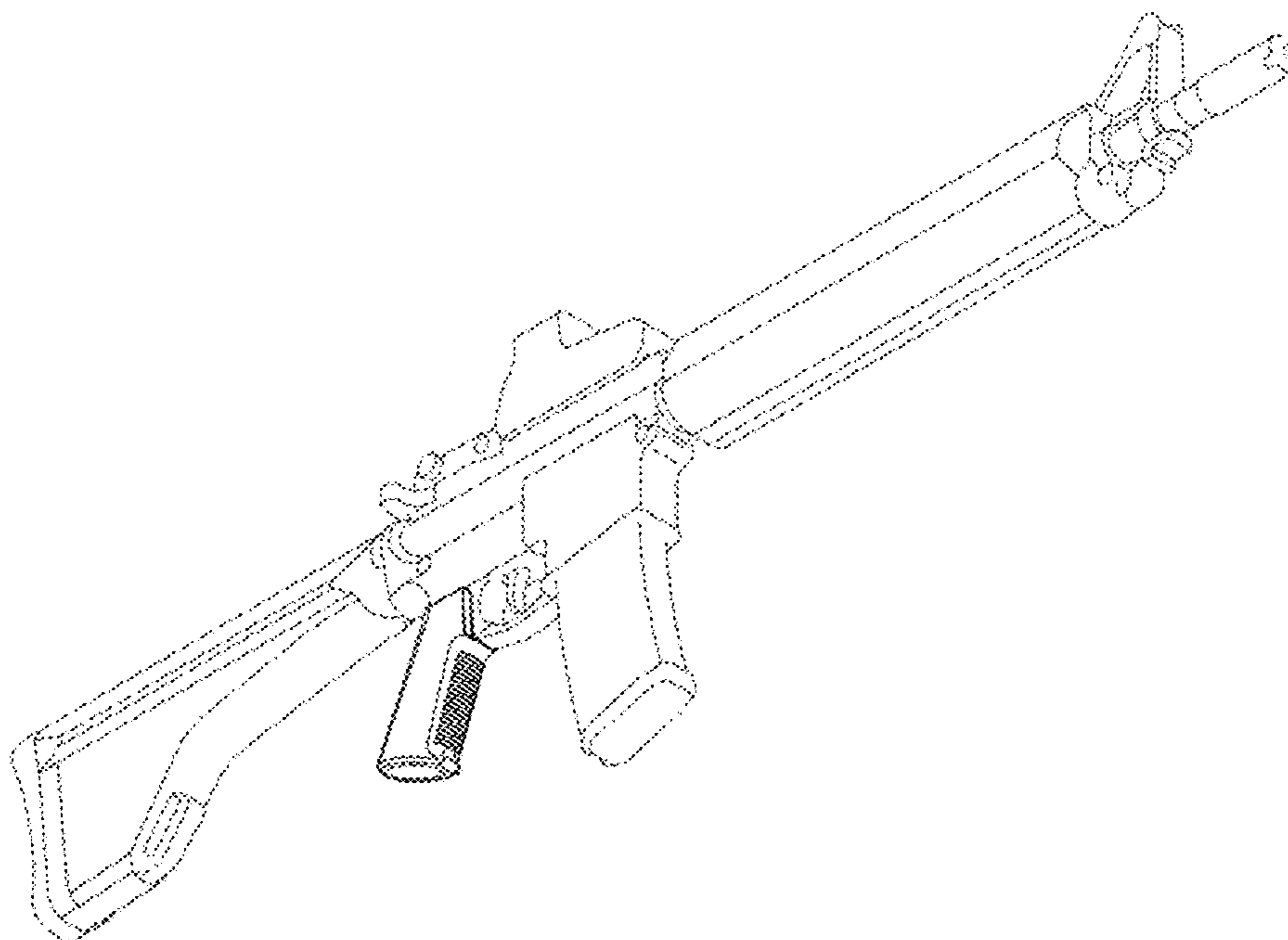
(57) **CLAIM**

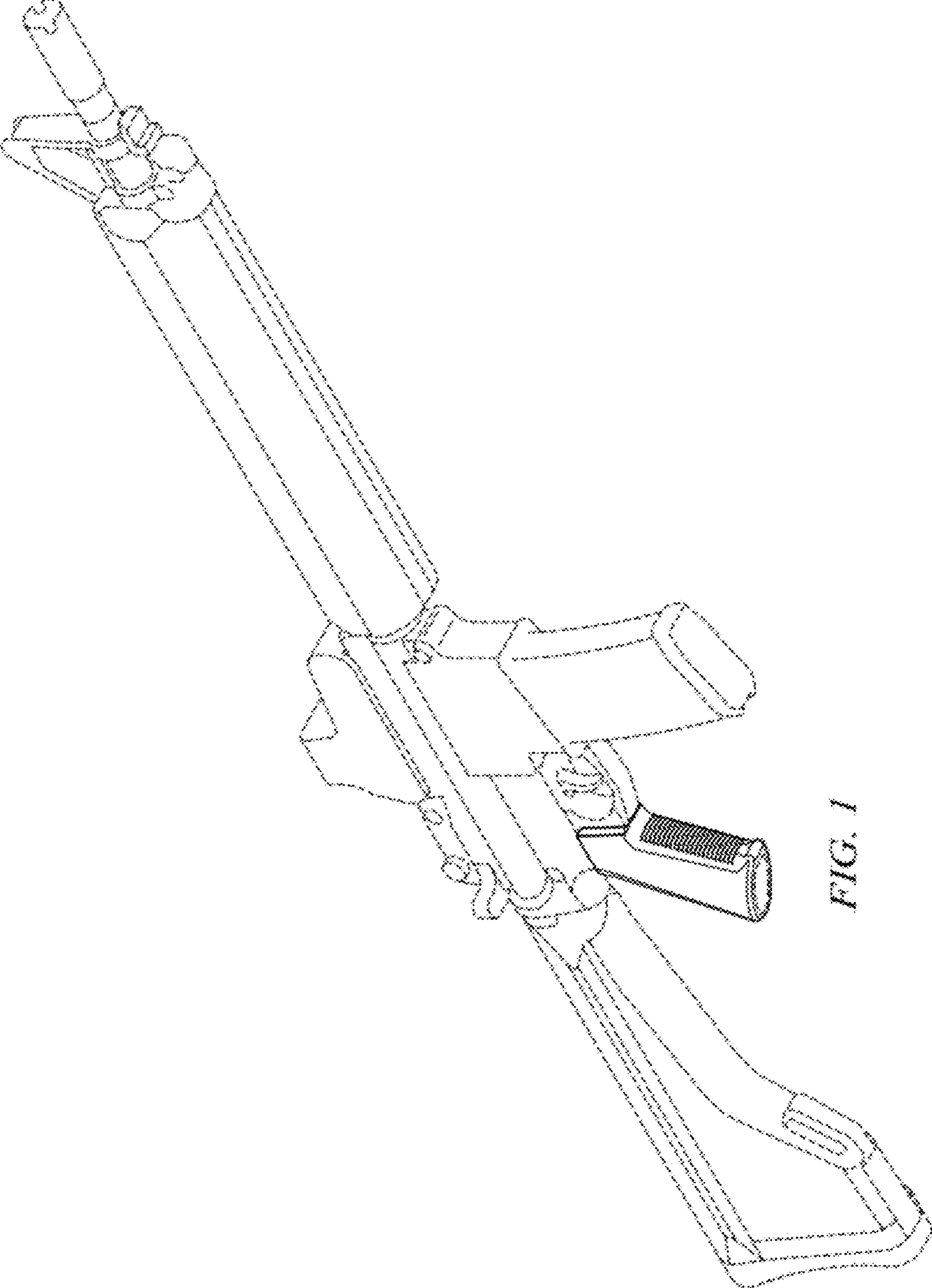
The ornamental design for a firearm K grip, as shown and described.

DESCRIPTION

FIG. 1 is a rightfront, bottom perspective view of a firearm K grip attached to a firearm showing my new design;
 FIG. 2 is a left, front, bottom perspective view of the firearm K grip of FIG. 1 with the firearm omitted;
 FIG. 3 is a left side elevation view of the firearm K grip of FIG. 1;
 FIG. 4 is a right side elevation view of the firearm K grip of FIG. 1;
 FIG. 5 is a front elevation view of the firearm K grip of FIG. 1;
 FIG. 6 is a rear elevation view of the firearm K grip of FIG. 1;
 FIG. 7 is a top plan view of the firearm K grip of FIG. 1; and,
 FIG. 8 is a bottom plan view of the firearm K grip of FIG. 1.
 The broken lines showing portions of the design in all figures is included for the purpose of illustrating environment and unclaimed features and forms not part of the claimed design.

1 Claim, 6 Drawing Sheets





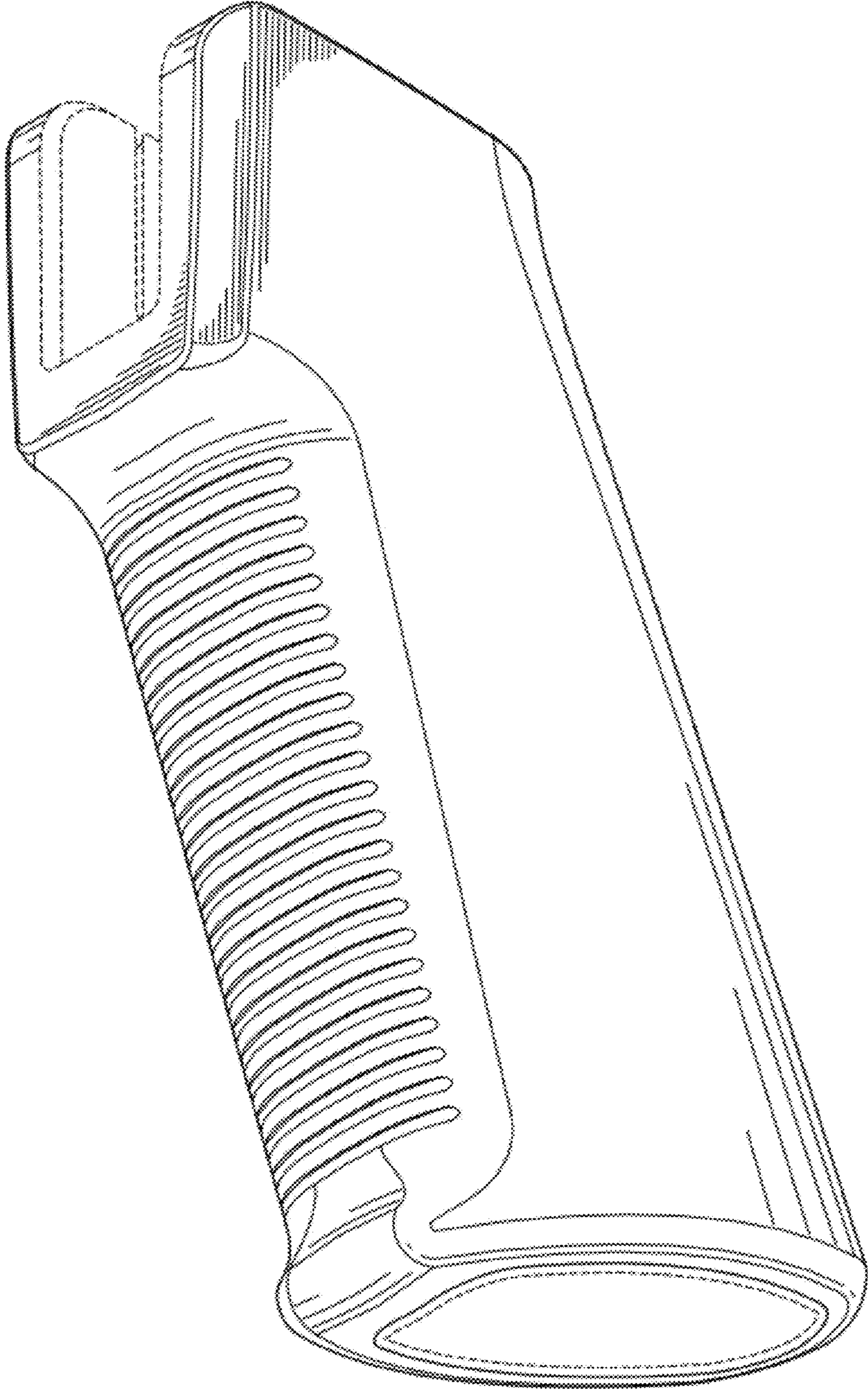


FIG. 2

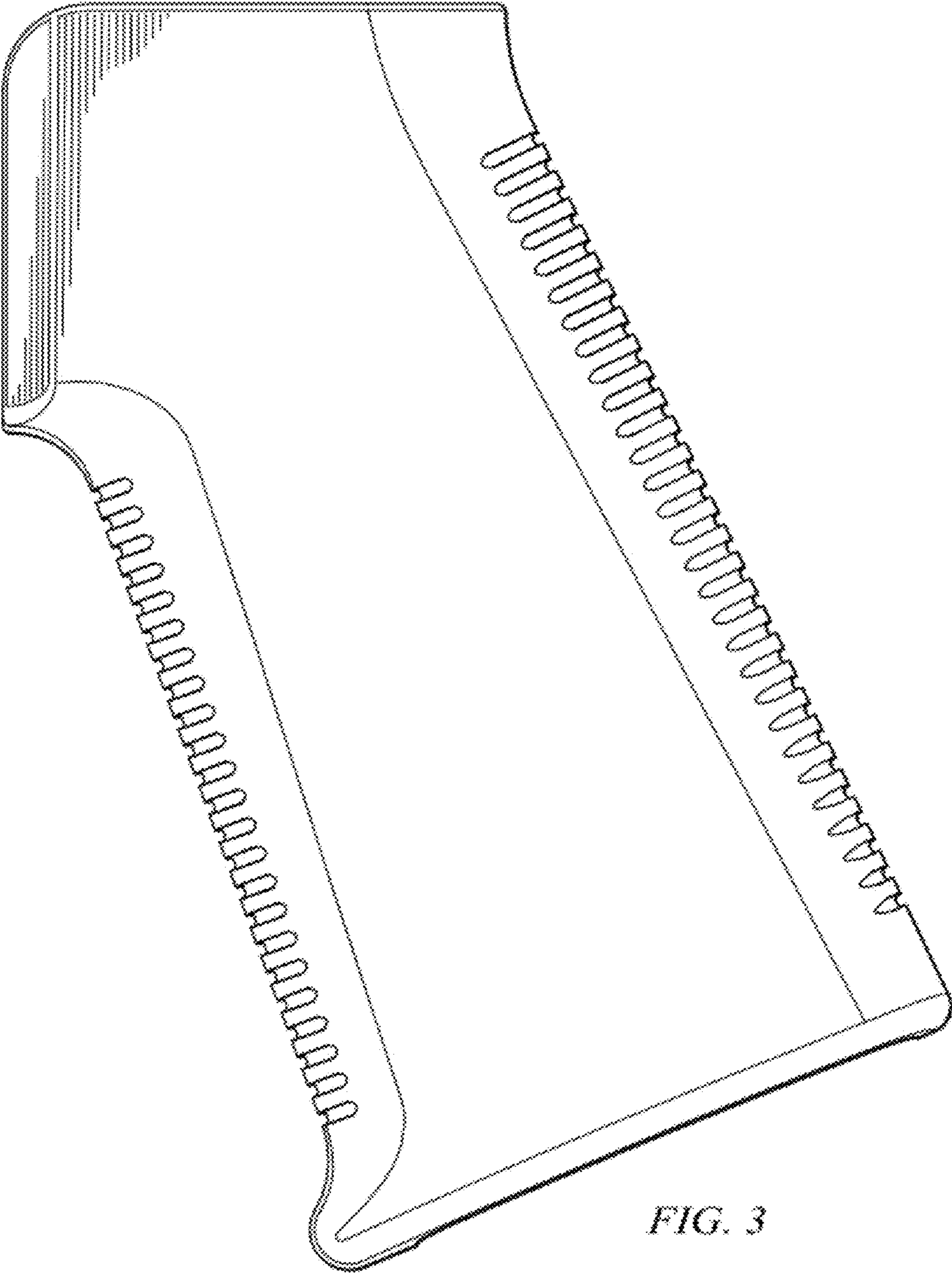


FIG. 3

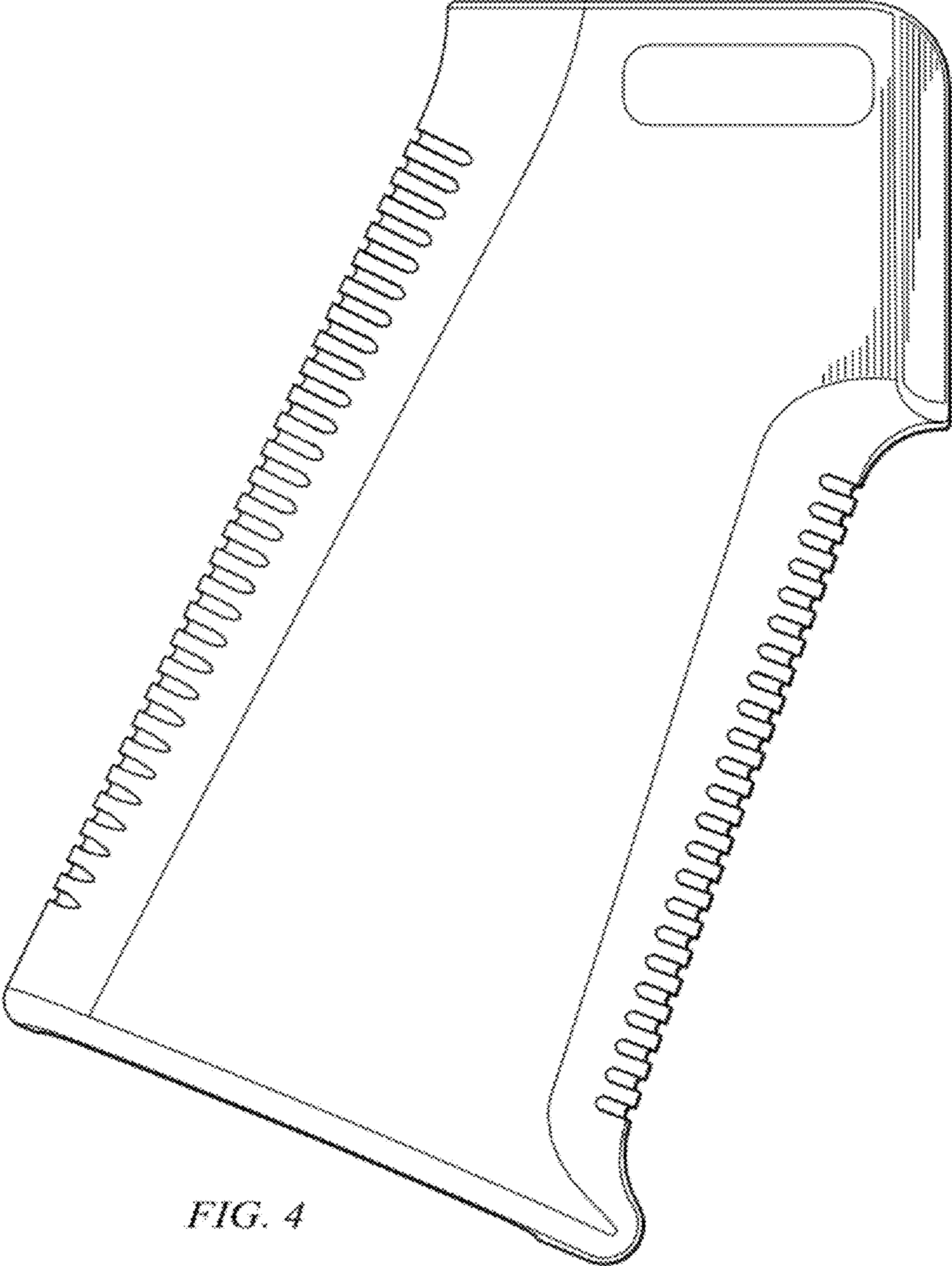


FIG. 4

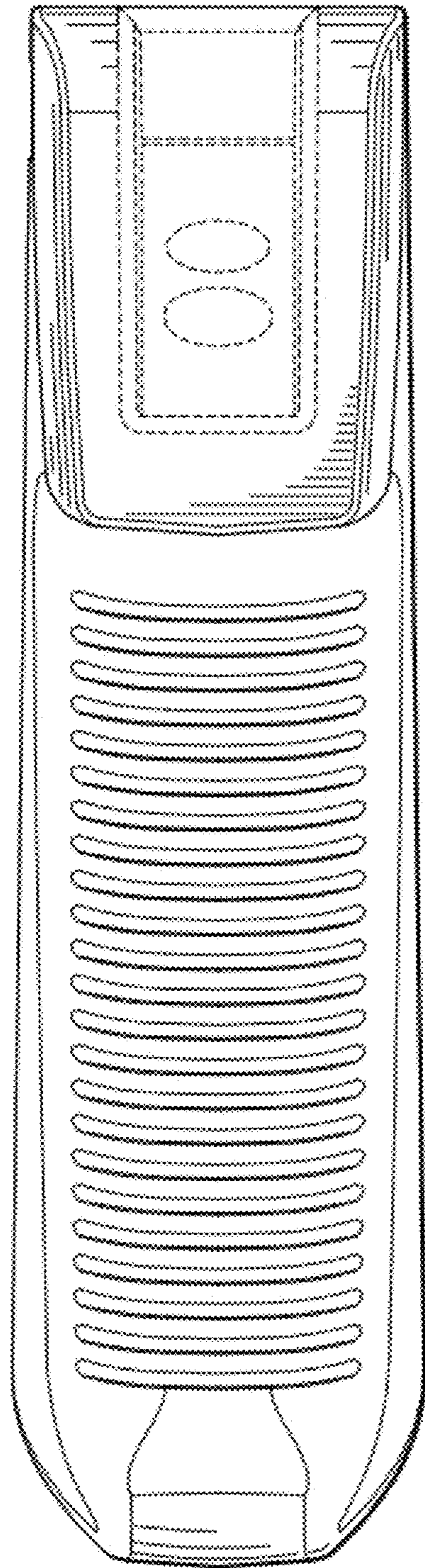


FIG. 5

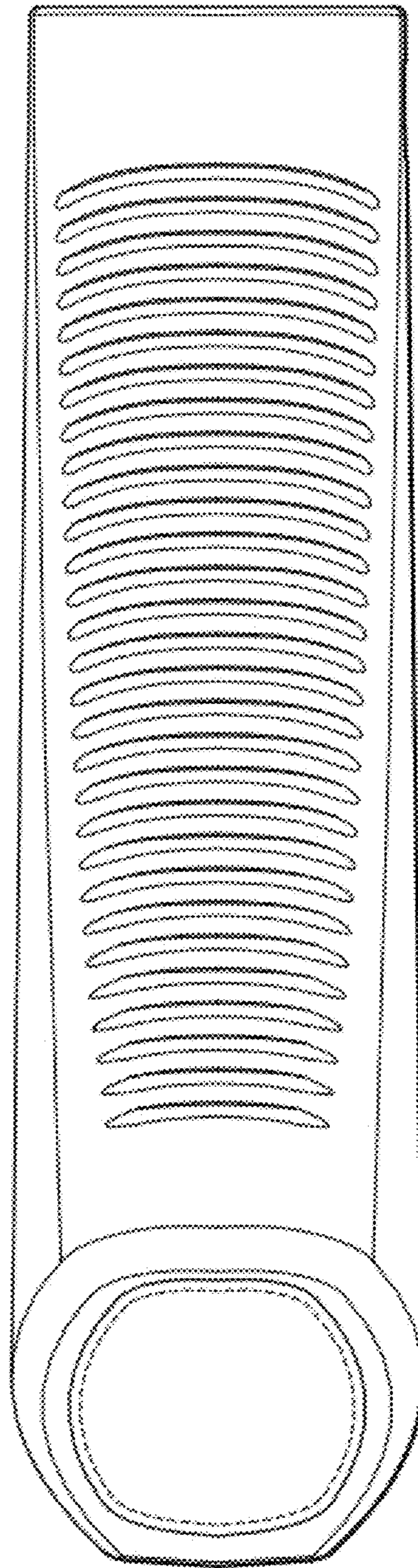


FIG. 6

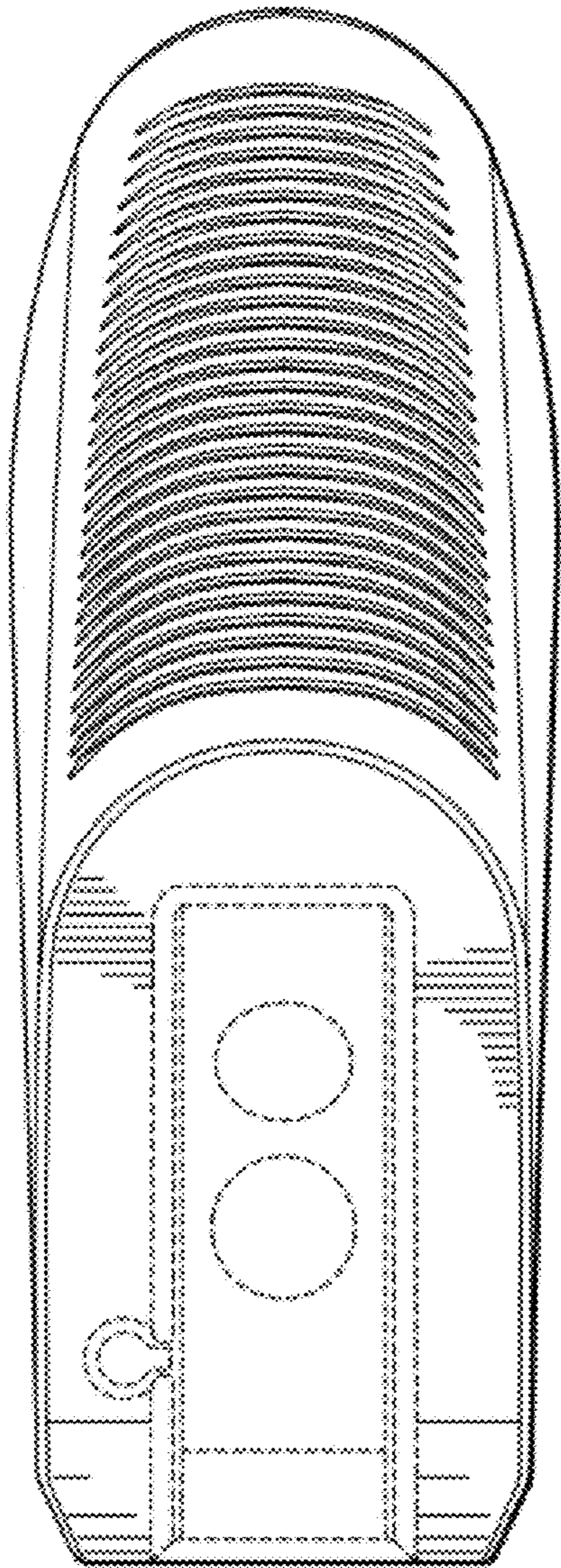


FIG. 7

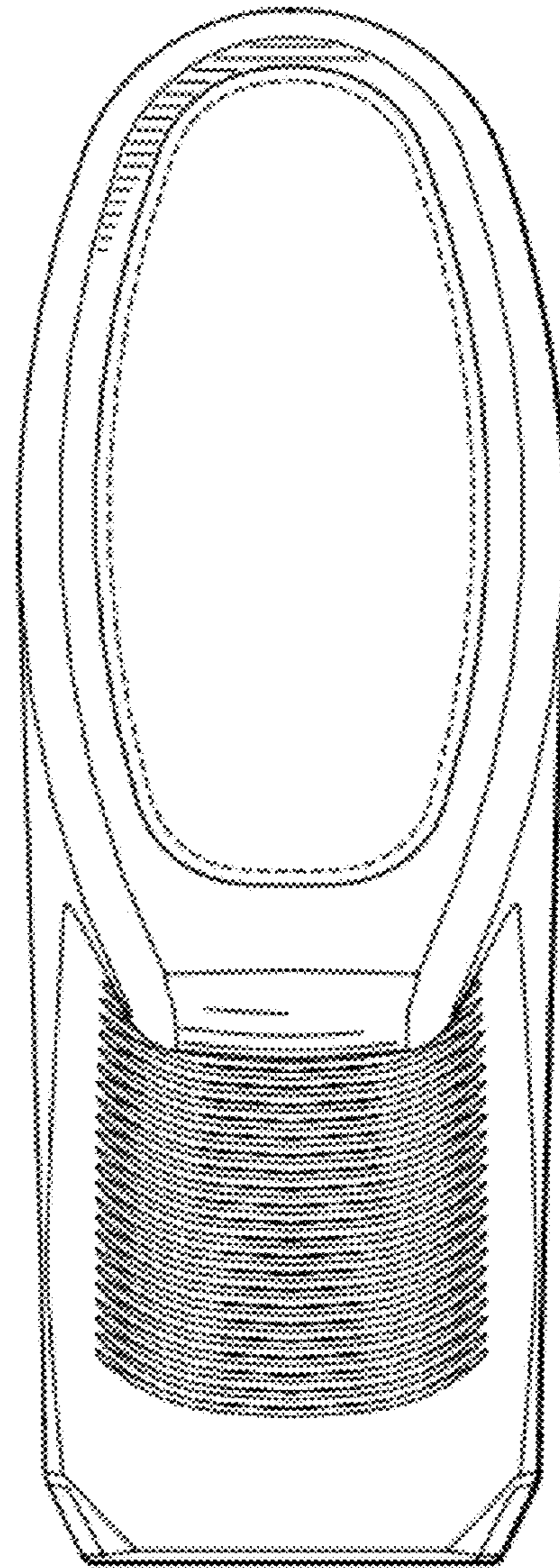


FIG. 8