

US00D667915S

(12) **United States Design Patent**  
**Nakayama et al.**

(10) **Patent No.:** **US D667,915 S**  
(45) **Date of Patent:** **\*\* Sep. 25, 2012**

(54) **FOLLOWER FOR AN AMMUNITION  
MAGAZINE**

(75) Inventors: **Brian L. Nakayama**, Arvada, CO (US);  
**Eric C. Burt**, Flower Branch, GA (US)

(73) Assignee: **Magpul Industries Corp.**, Boulder, CO  
(US)

(\*\*) Term: **14 Years**

(21) Appl. No.: **29/391,505**

(22) Filed: **May 10, 2011**

(51) **LOC (9) Cl.** ..... **22-01**

(52) **U.S. Cl.** ..... **D22/108**

(58) **Field of Classification Search** ..... D22/100–116;  
D21/572, 573; 124/66, 67, 74; 42/51, 71.01,  
42/75.01, 75.02, 90, 94; 362/110; 89/40.06,  
89/37.04, 33.04, 191.01

See application file for complete search history.

(56) **References Cited**

U.S. PATENT DOCUMENTS

D244,285	S *	5/1977	Sofinowski	.....	D22/108
4,109,401	A *	8/1978	Musgrave	.....	42/50
4,139,959	A *	2/1979	Howard et al.	.....	42/50
7,621,063	B2 *	11/2009	Fitzpatrick et al.	.....	42/50
D615,143	S *	5/2010	Fitzpatrick et al.	.....	D22/108
7,730,654	B2 *	6/2010	Kim	.....	42/1.02
7,958,660	B2 *	6/2011	Fitzpatrick et al.	.....	42/50
8,006,423	B1 *	8/2011	Alzamora et al.	.....	42/49.01
8,166,692	B2 *	5/2012	Fitzpatrick et al.	.....	42/50
2009/0107022	A1 *	4/2009	Fitzpatrick et al.	.....	42/50
2010/0126053	A1 *	5/2010	Fitzpatrick et al.	.....	42/50
2011/0167694	A1 *	7/2011	Bigley et al.	.....	42/50
2011/0214326	A1 *	9/2011	Inskeep et al.	.....	42/49.02

\* cited by examiner

*Primary Examiner* — Michael A Pratt

(74) *Attorney, Agent, or Firm* — Geoffrey E. Dobbin

(57) **CLAIM**

The ornamental design for a follower for an ammunition magazine, as shown and described.

**DESCRIPTION**

FIG. 1 is an top/front/right perspective view of the follower for an ammunition magazine.

FIG. 2 is a left elevation of the follower for an ammunition magazine.

FIG. 3 is a right elevation of the follower for an ammunition magazine.

FIG. 4 is top plan view of the follower for an ammunition magazine.

FIG. 5 is a bottom plan view of the follower for an ammunition magazine.

FIG. 6 is a front elevation of the follower for an ammunition magazine.

FIG. 7 is a rear elevation of the follower for an ammunition magazine.

FIG. 8 is a top/front/left perspective view of the follower for an ammunition magazine.

FIG. 9 is a top/rear/left perspective view of the follower for an ammunition magazine.

FIG. 10 is a top/rear/right perspective view of the follower for an ammunition magazine.

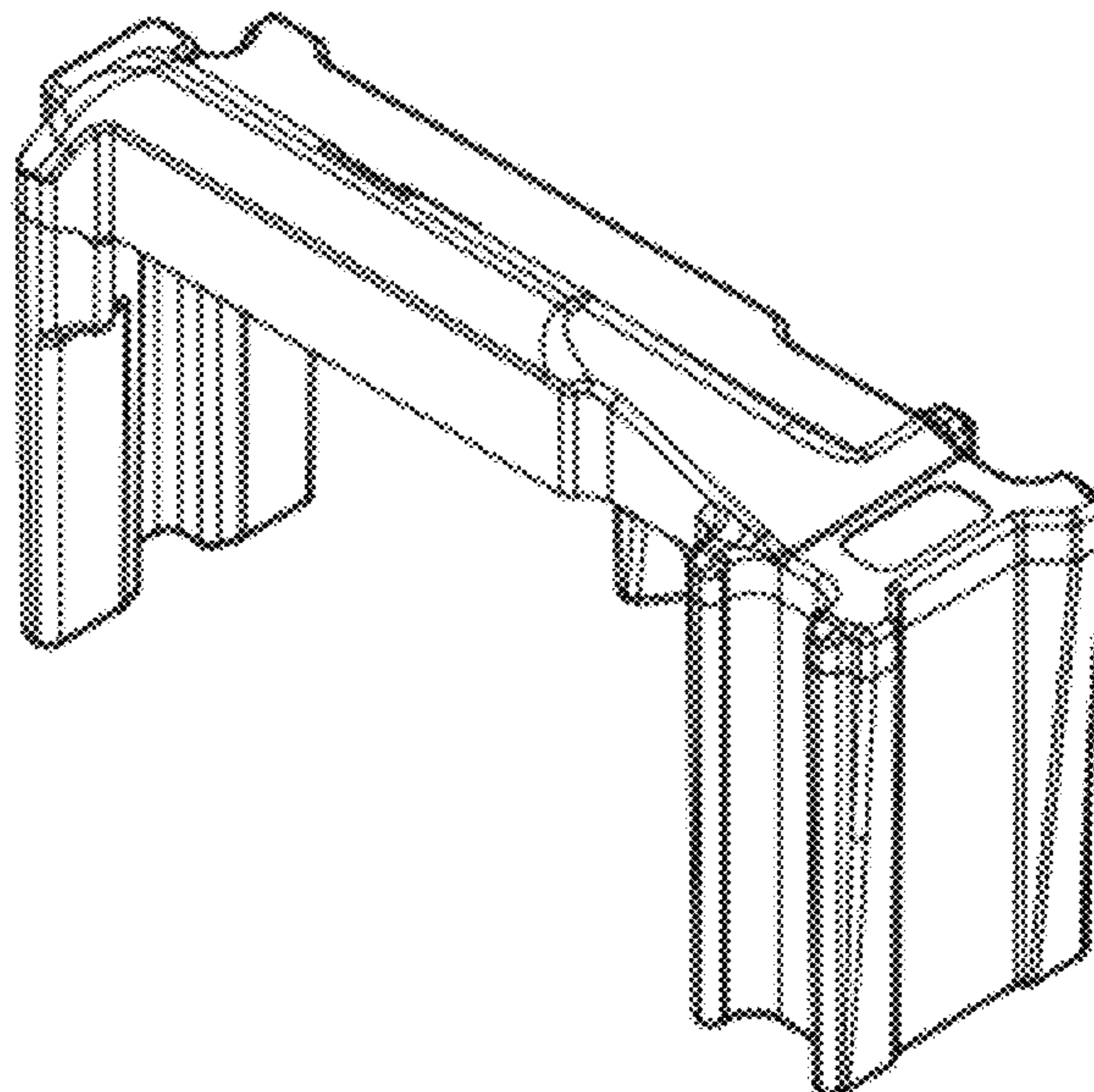
FIG. 11 is a bottom/front/right perspective view of the follower for an ammunition magazine.

FIG. 12 is a bottom/front/left perspective view of the follower for an ammunition magazine.

FIG. 13 is a bottom/rear/left perspective view of the follower for an ammunition magazine; and,

FIG. 14 is a bottom/rear/right perspective view of the follower for an ammunition magazine.

**1 Claim, 4 Drawing Sheets**



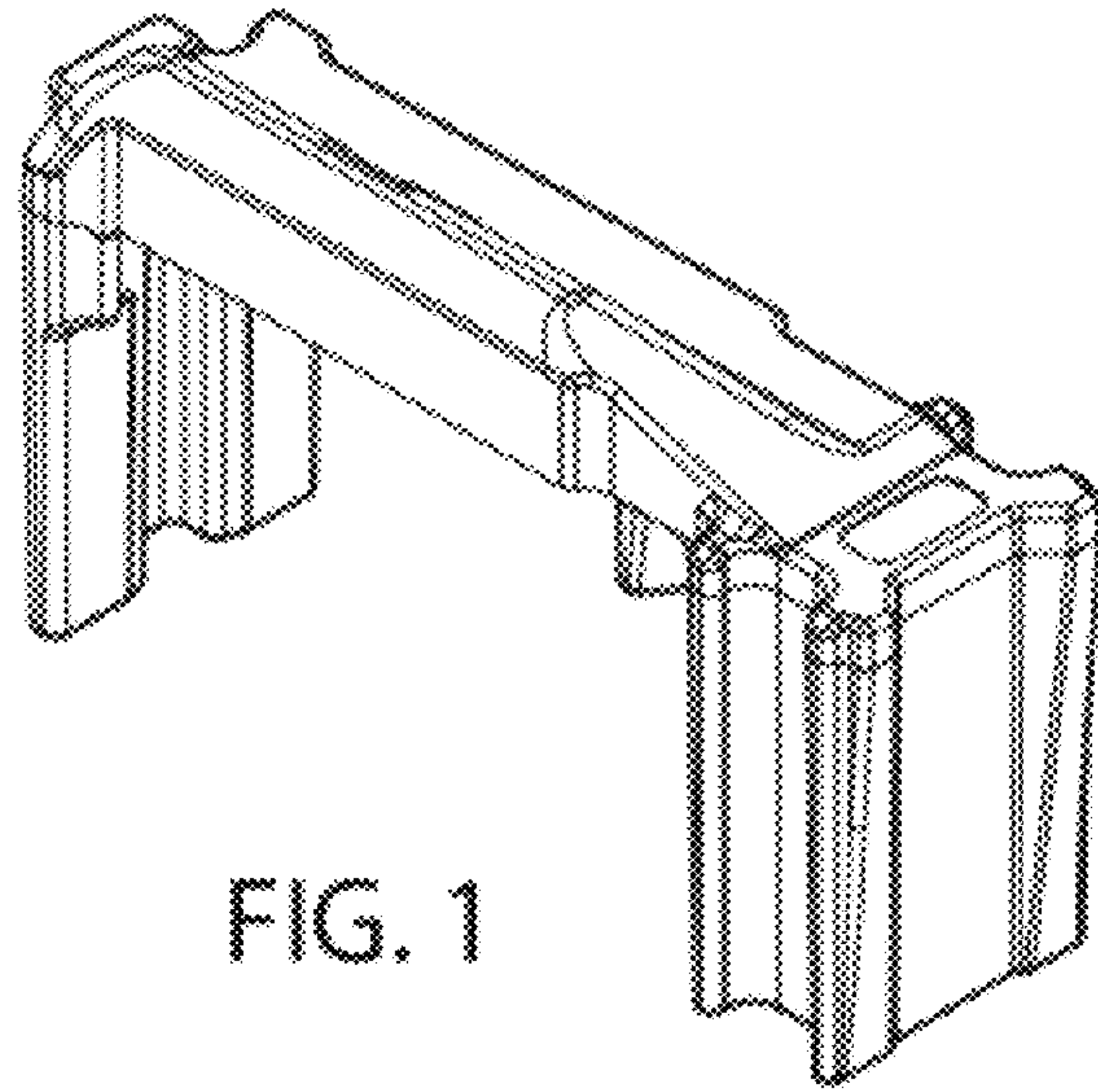


FIG. 1

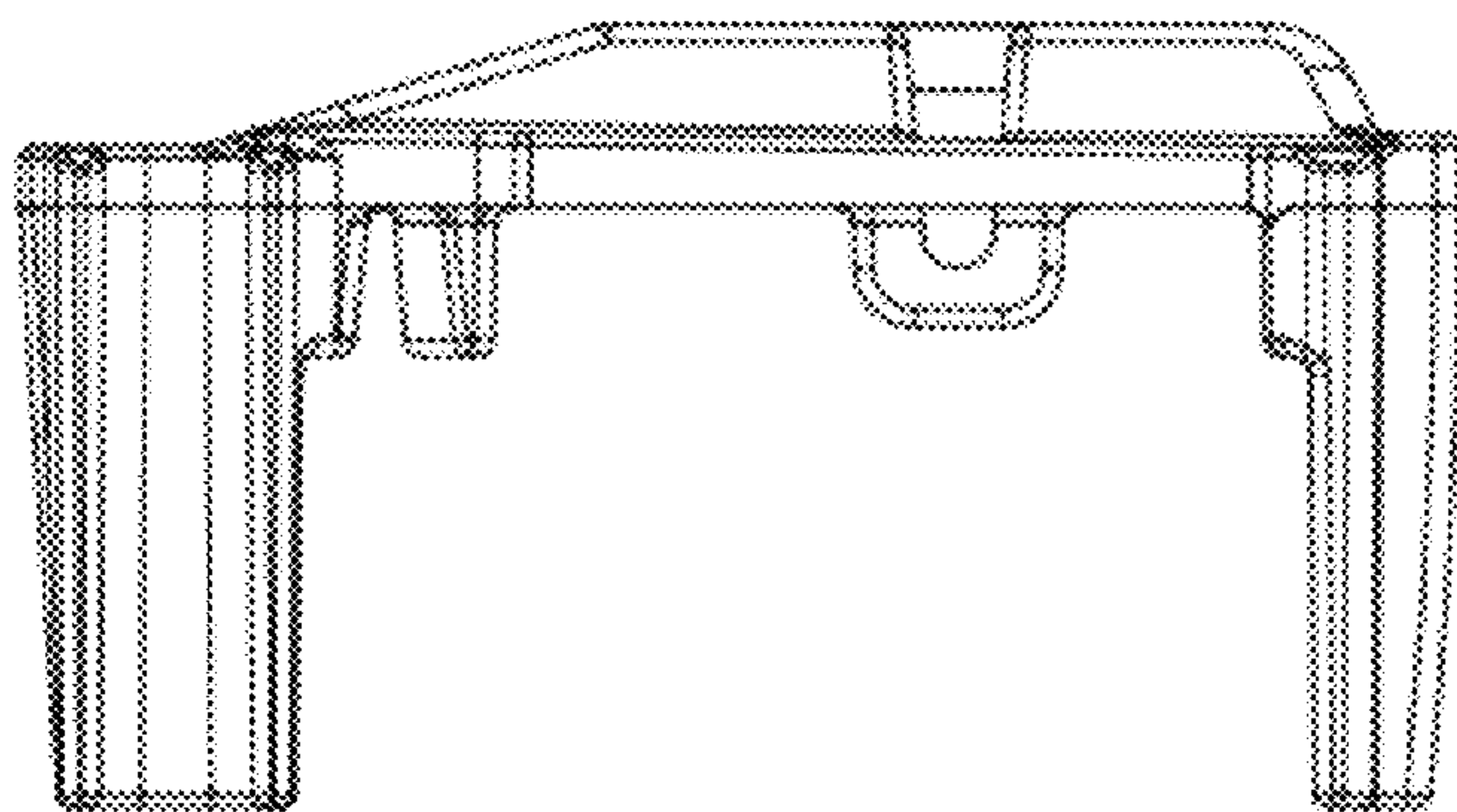
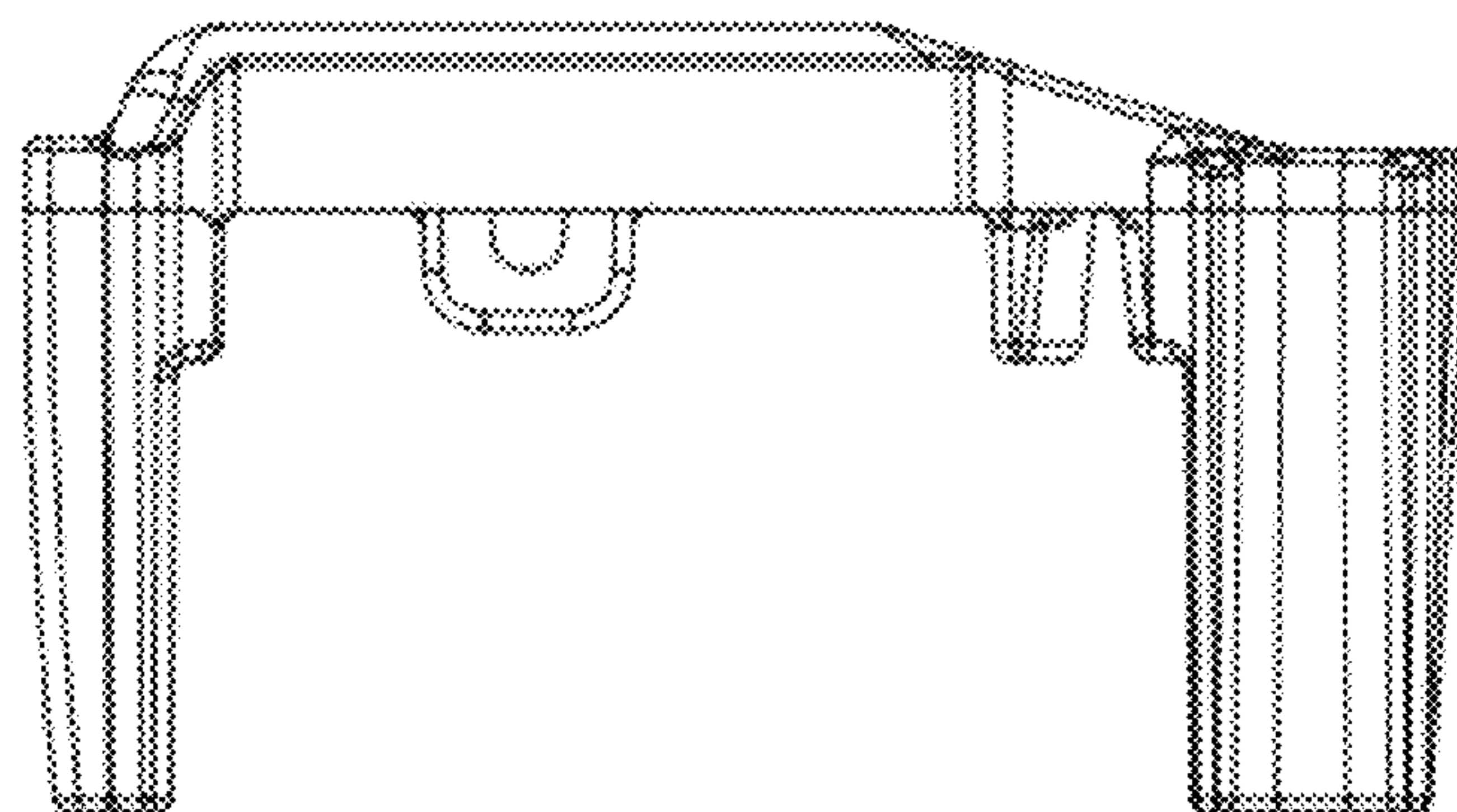


FIG. 2

FIG. 3





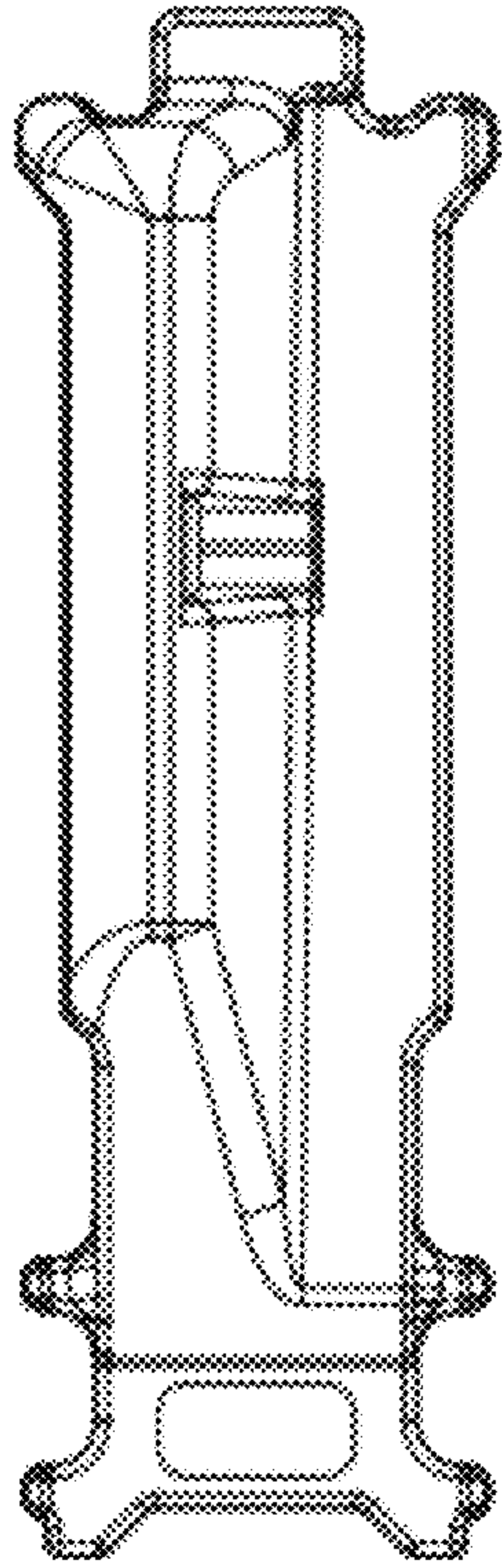


FIG. 4

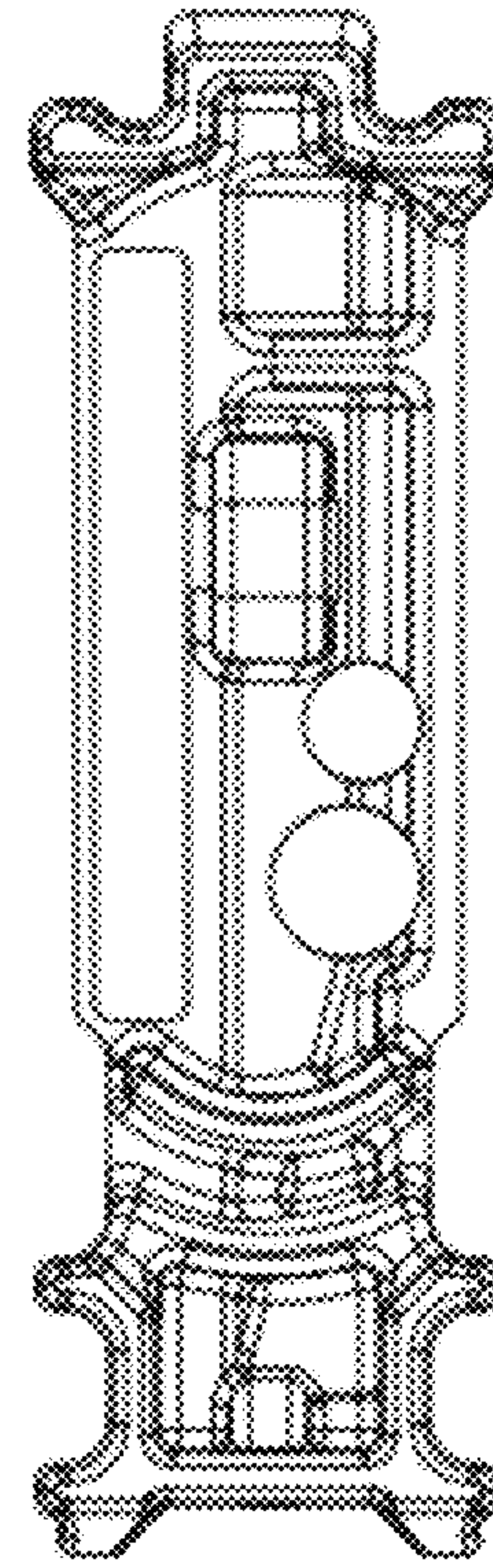


FIG. 5

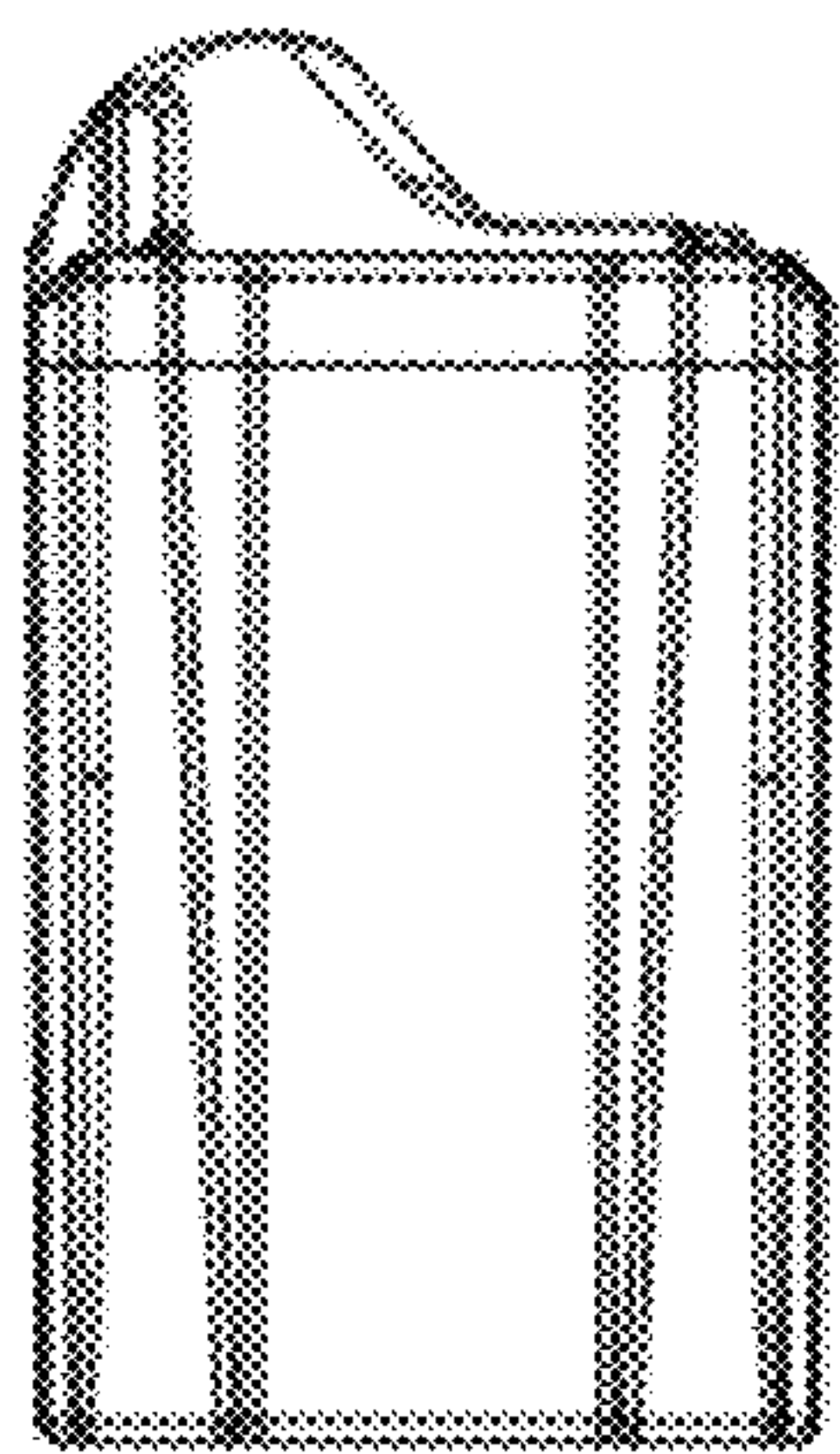


FIG. 6

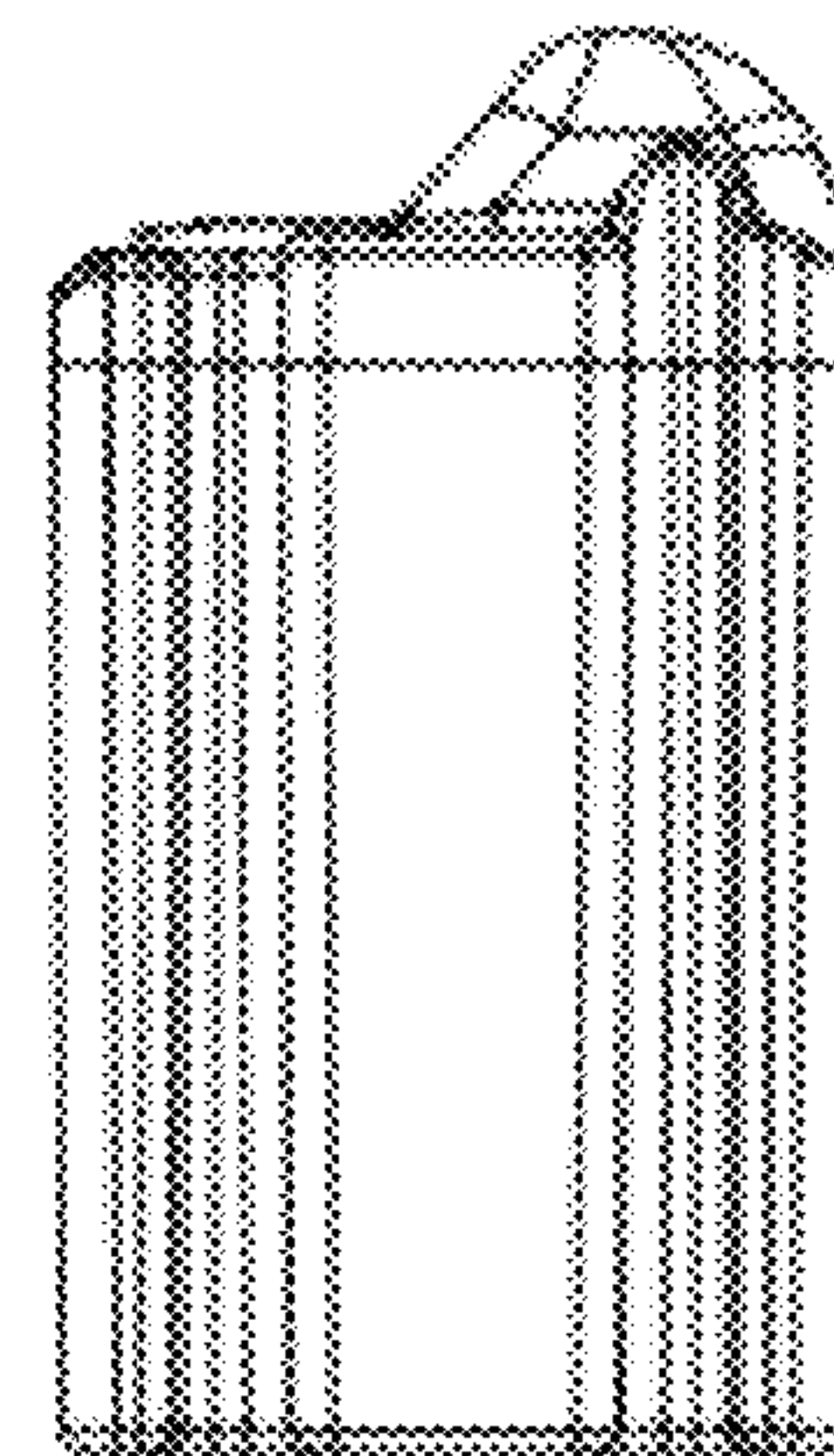


FIG. 7

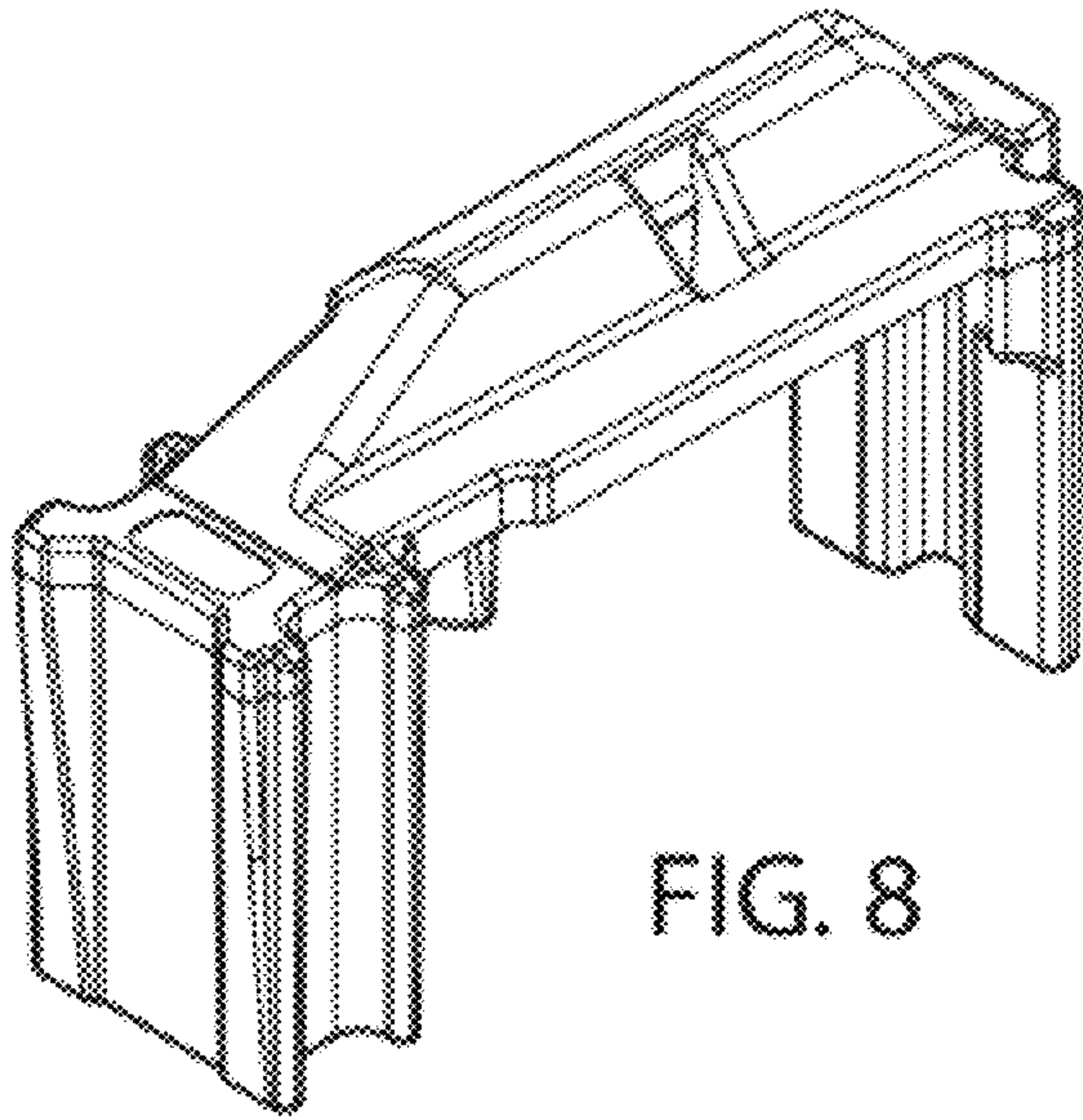


FIG. 8

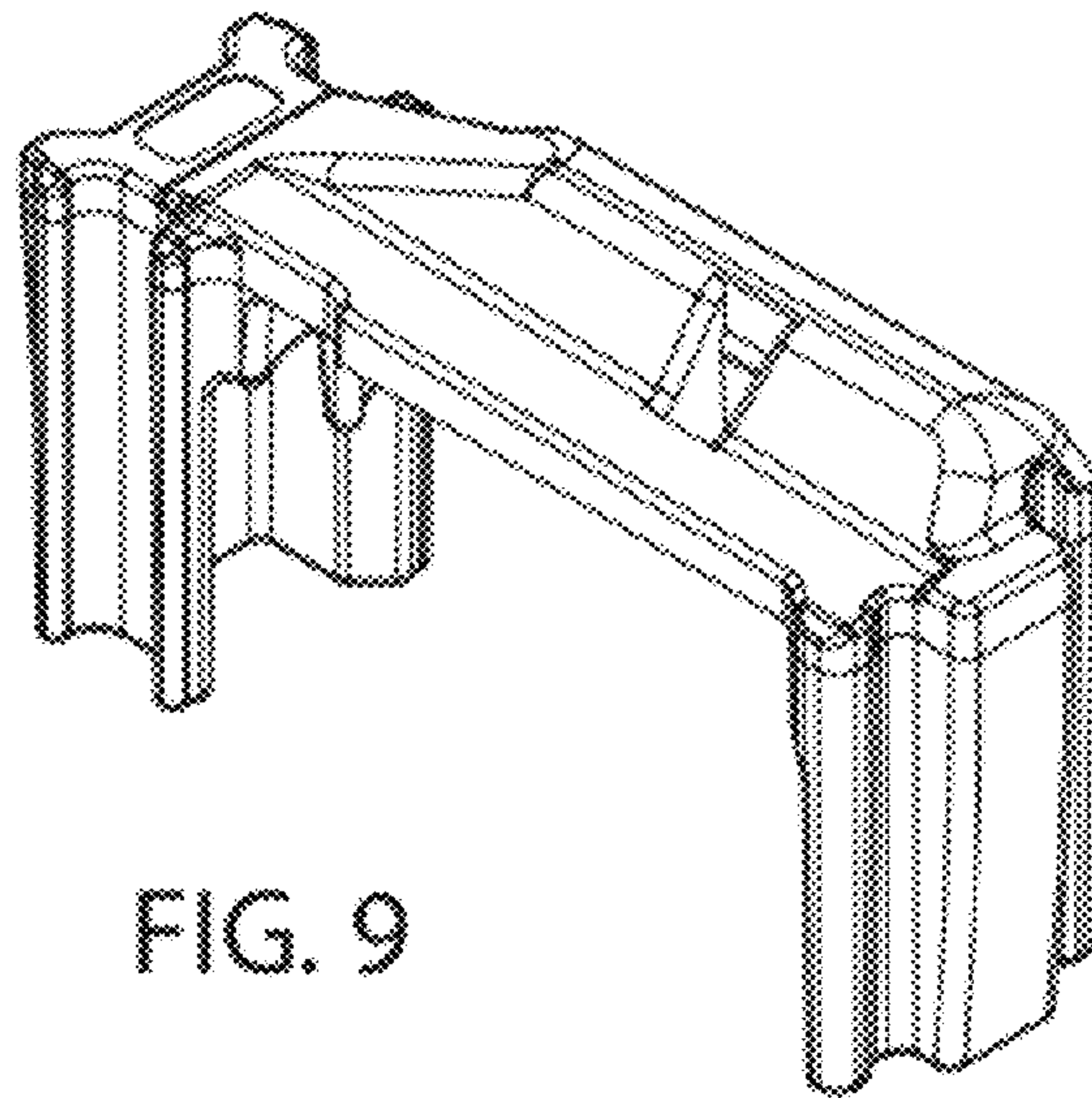


FIG. 9

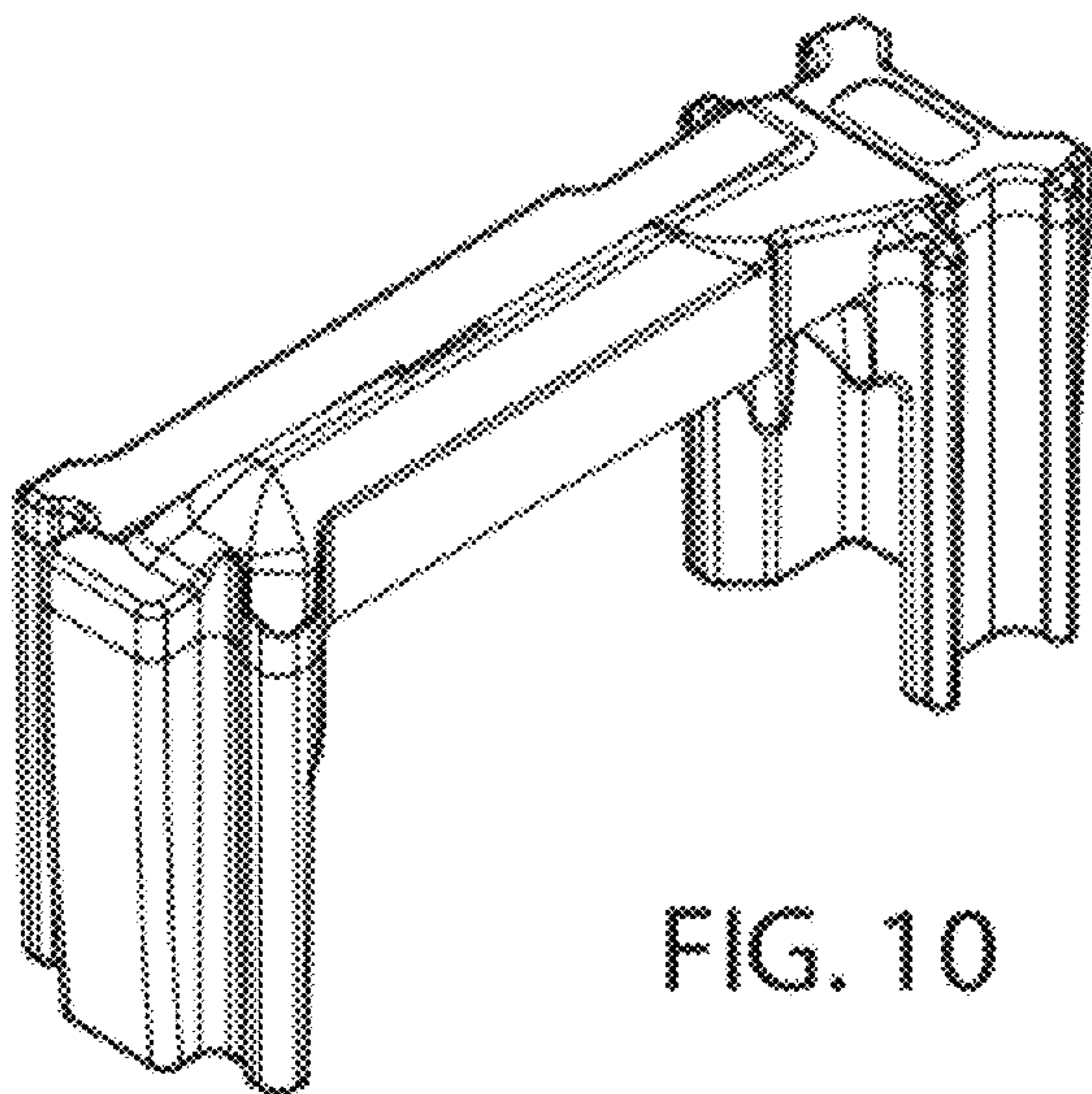


FIG. 10



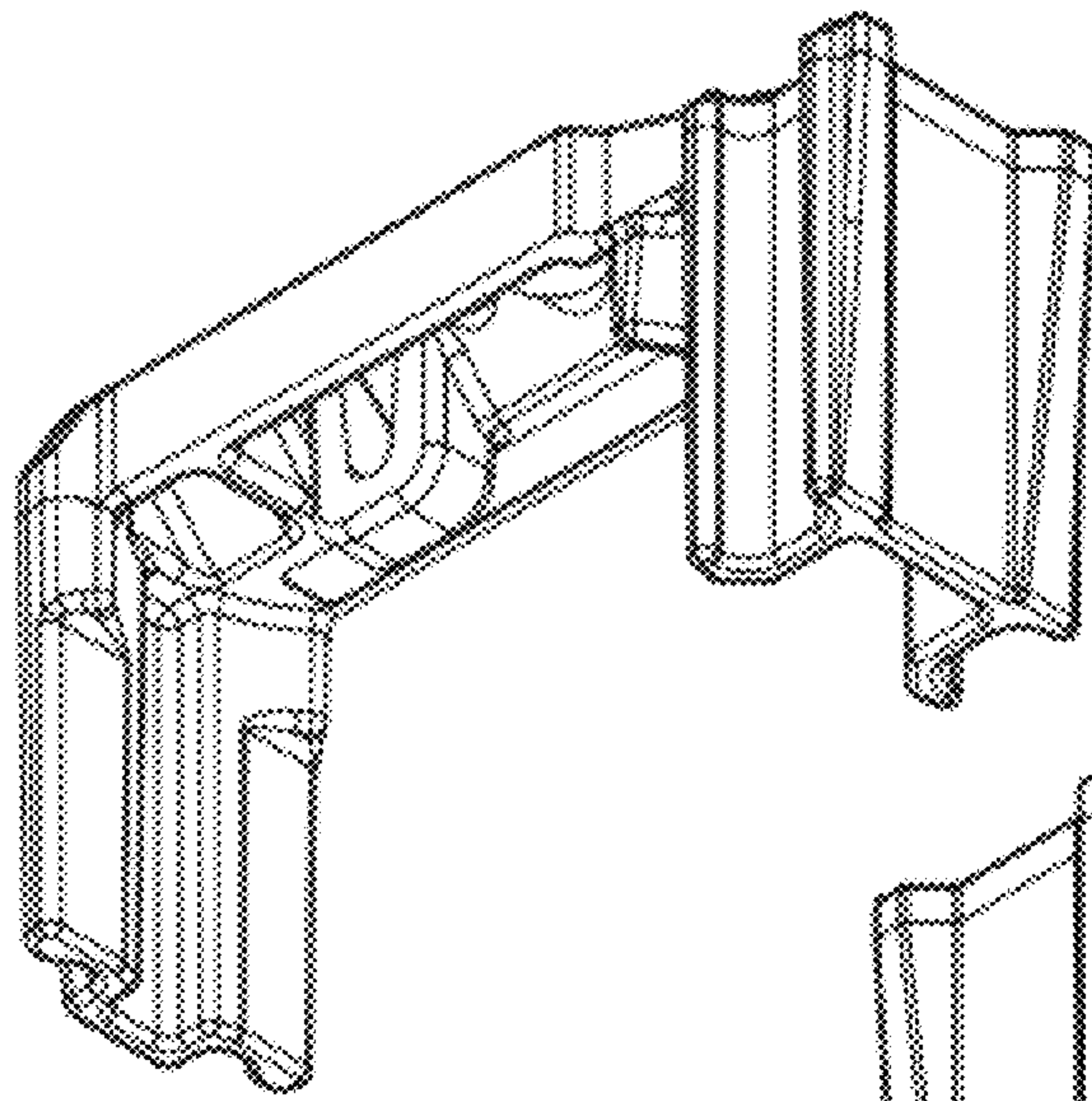


FIG. 11

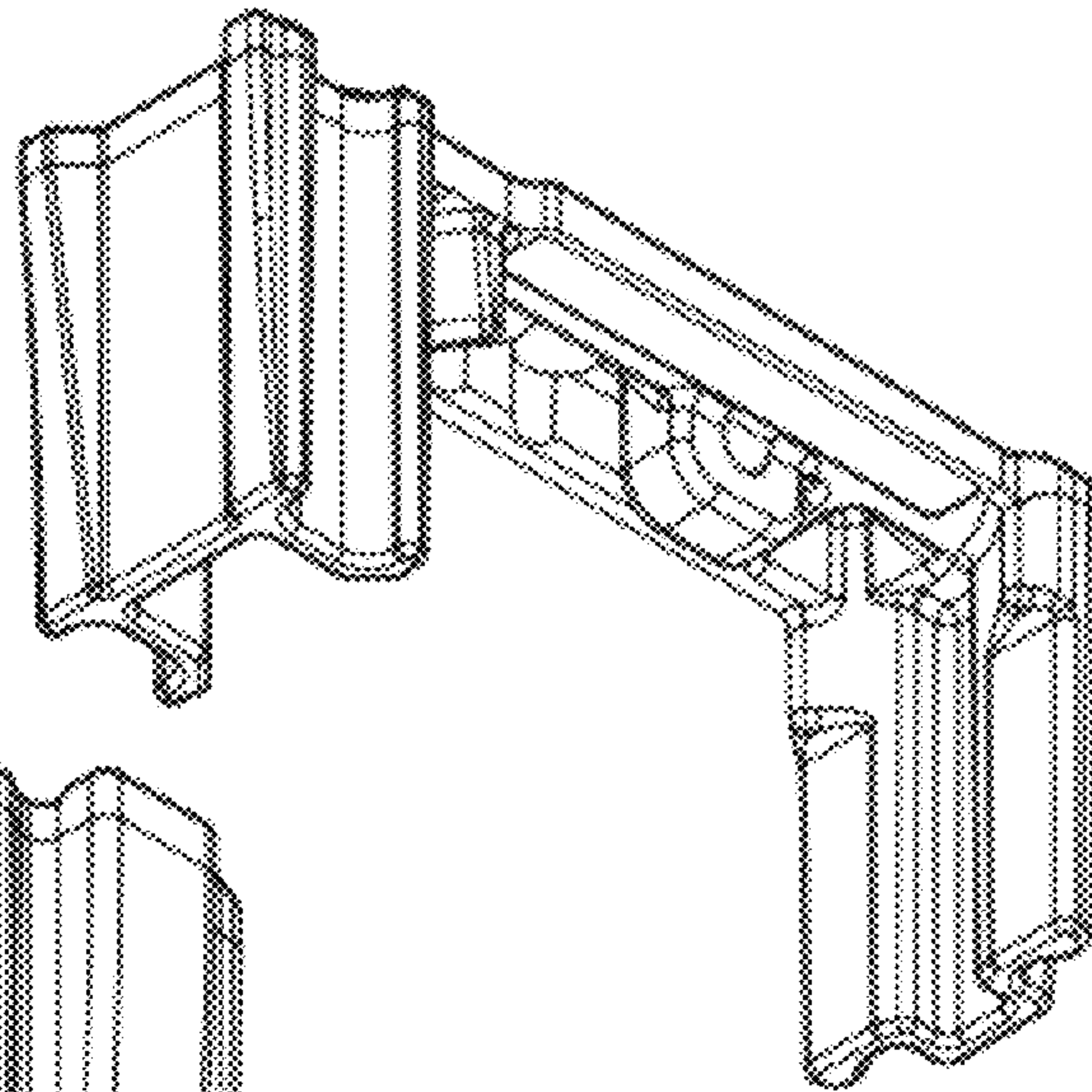


FIG. 12

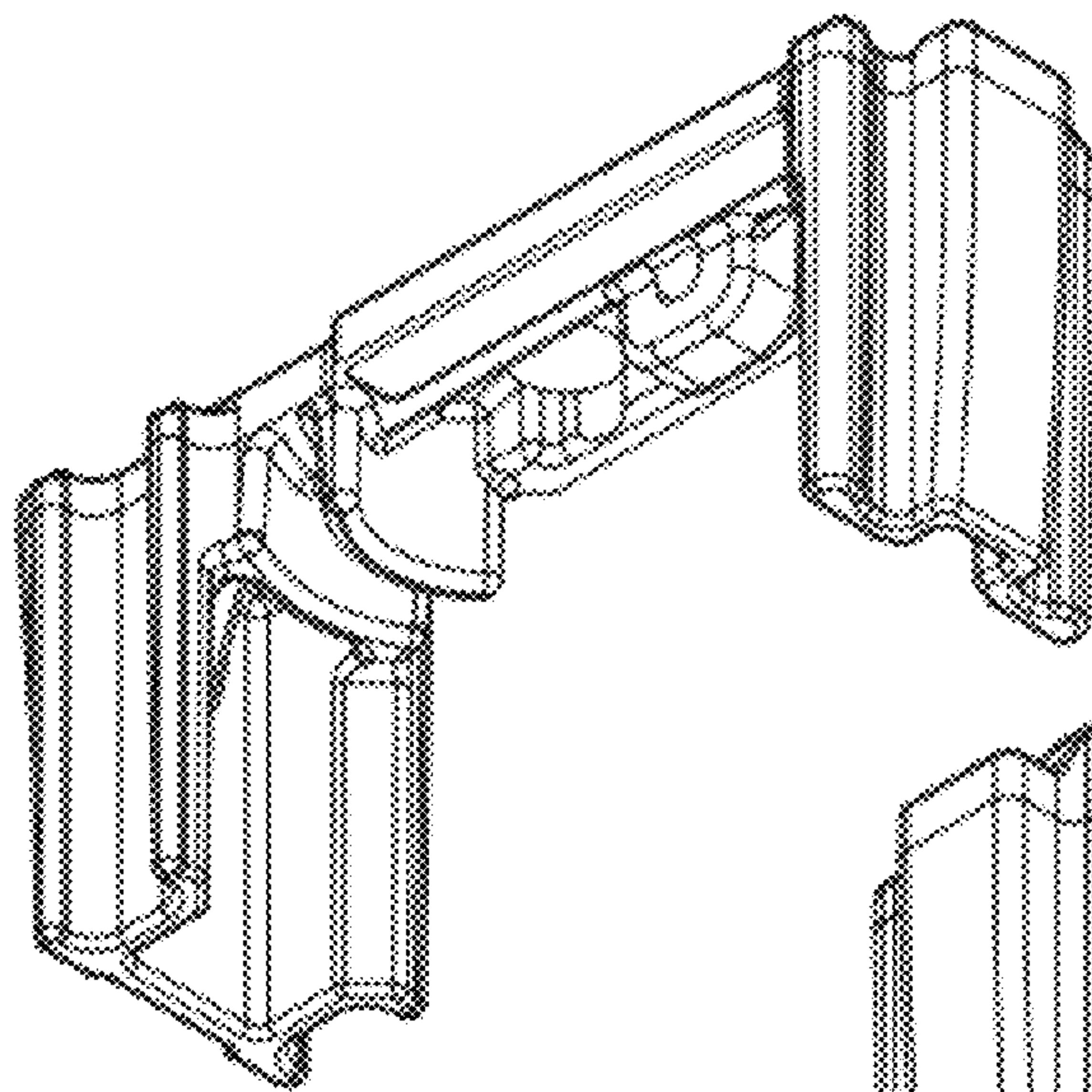


FIG. 13

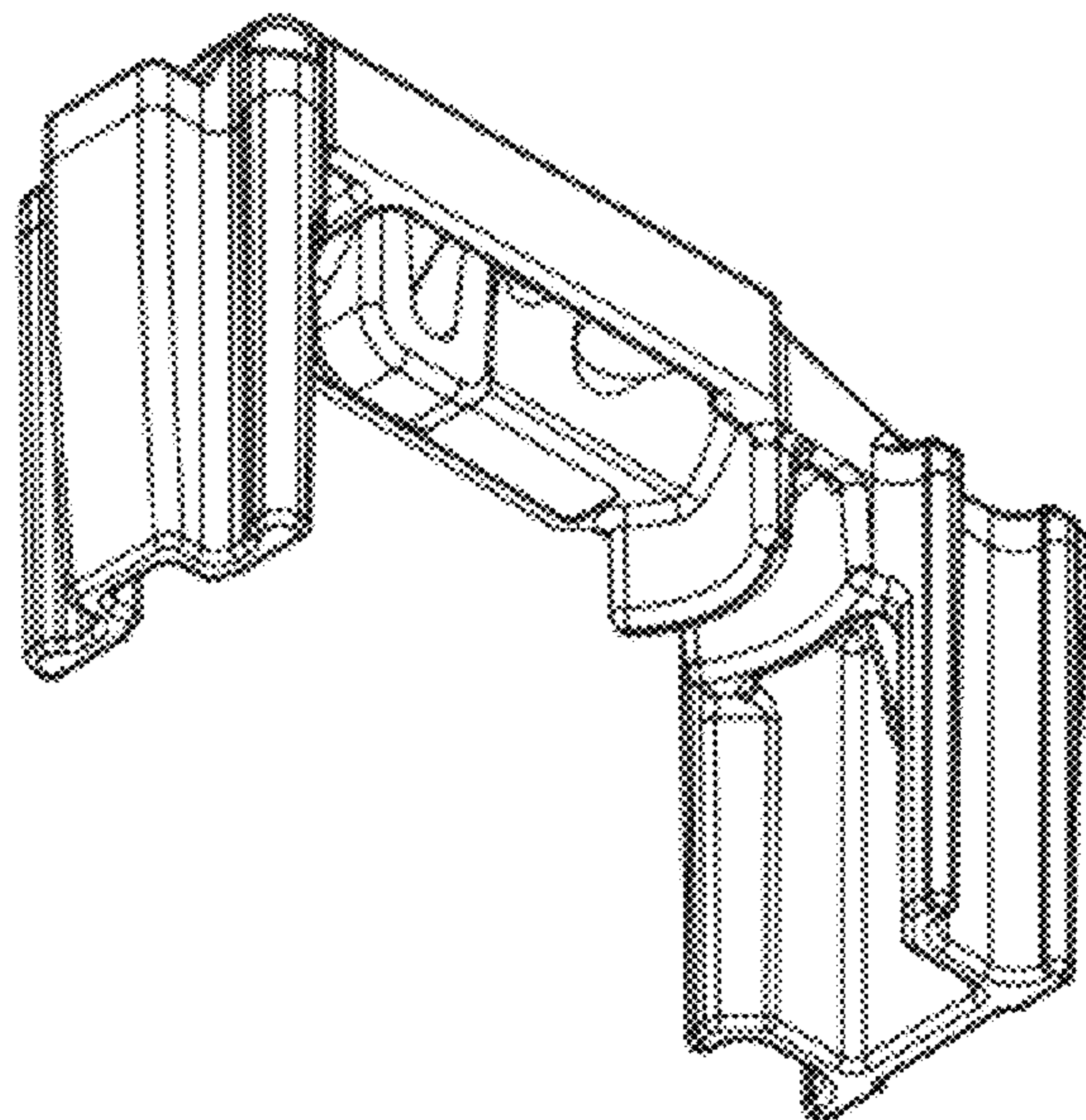


FIG. 14