



US00D667914S

(12) **United States Design Patent**
Storch

(10) **Patent No.:** **US D667,914 S**

(45) **Date of Patent:** **** Sep. 25, 2012**

(54) **FIREARM ACCESSORY MOUNT**

(74) *Attorney, Agent, or Firm* — Boyle Fredrickson, S.C.

(76) Inventor: **Troy Storch**, Waukesha, WI (US)

(57) **CLAIM**

The ornamental design for a firearm accessory mount, substantially as shown and described.

(**) Term: **14 Years**

DESCRIPTION

(21) Appl. No.: **29/381,172**

(22) Filed: **Dec. 16, 2010**

(51) **LOC (9) Cl.** **22-01**

(52) **U.S. Cl.** **D22/108**

(58) **Field of Classification Search** D22/101–104,
D22/108, 199; D3/214–215, 221, 262, 327–328;
224/190, 250, 257–258, 575, 586, 913;
D29/101.1–101.2; 42/85, 94

See application file for complete search history.

FIG. 1 is an elevational view of a firearm accessory mount according to the present invention;

FIG. 2 is a top perspective view of the accessory mount according to the present invention separate from the environment shown in FIG. 1;

FIG. 3 is a top plan view of the accessory mount shown in FIG. 2;

FIG. 4 is an elevation view of a front side of the accessory mount shown in FIG. 2;

FIG. 5 is an elevation view of a right side of the accessory mount shown in FIG. 2; and,

FIG. 6 is a bottom plan view of the accessory mount shown in FIG. 2.

The left side and rear side elevation views would be identical to the front side and right side elevation views shown in FIGS. 4 and 5, respectively.

The broken lines are for illustrative purposes and represent environmental structure and unclaimed portions of the invention and therefore form no part of the claimed design.

(56) **References Cited**

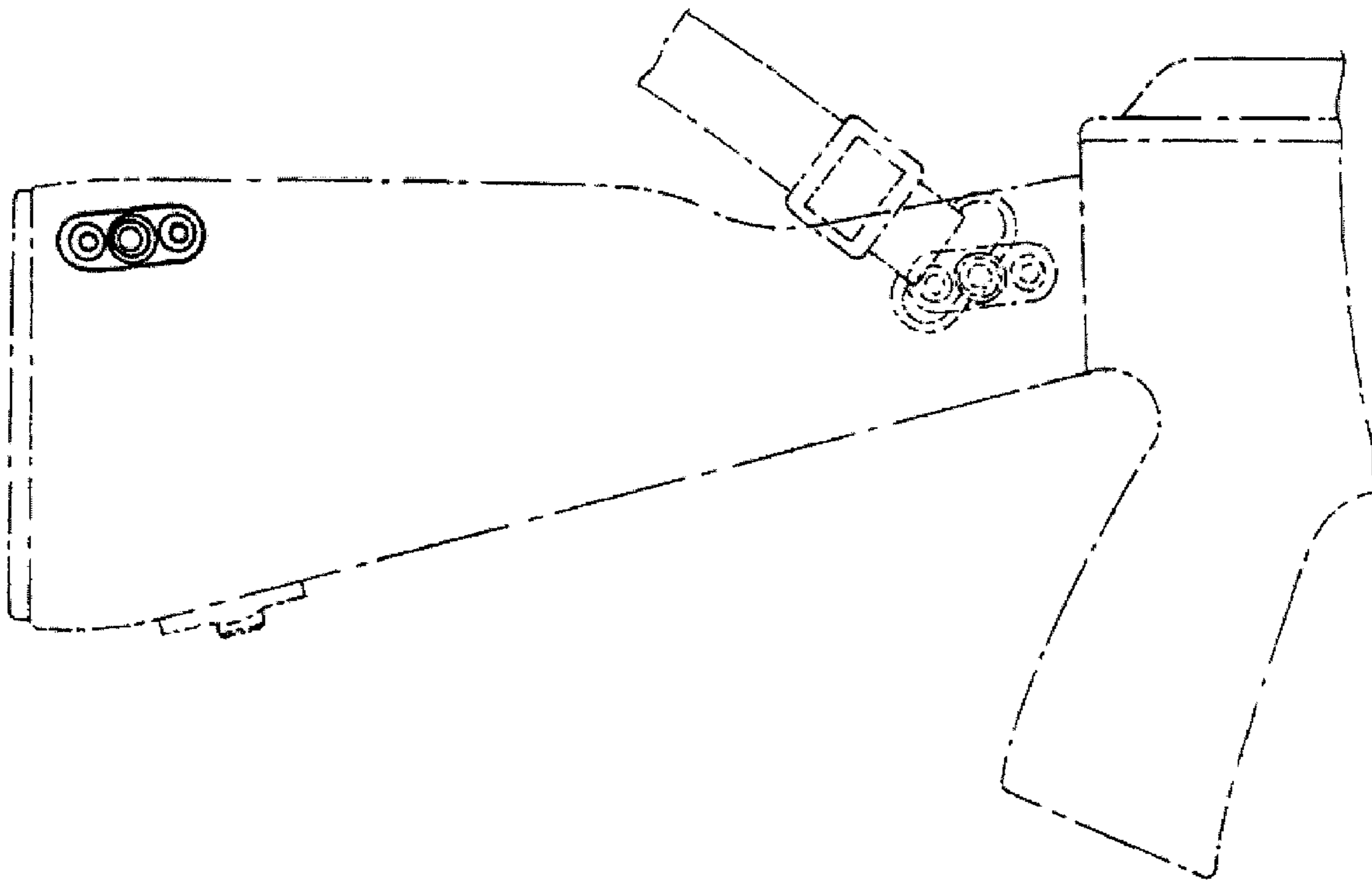
U.S. PATENT DOCUMENTS

| | | | | | |
|-----------|------|---------|--------------|-------|-----------|
| D435,853 | S * | 1/2001 | Mehta et al. | | D14/478 |
| 6,472,776 | B1 * | 10/2002 | Soto et al. | | 307/400 |
| 6,953,212 | B2 * | 10/2005 | Alba | | 294/217 |
| D545,304 | S * | 6/2007 | Sergi | | D14/238 |
| 7,594,631 | B1 * | 9/2009 | Carnevali | | 248/219.4 |
| D643,026 | S * | 8/2011 | Podduturi | | D14/238 |

* cited by examiner

Primary Examiner — Michael A Pratt

1 Claim, 2 Drawing Sheets



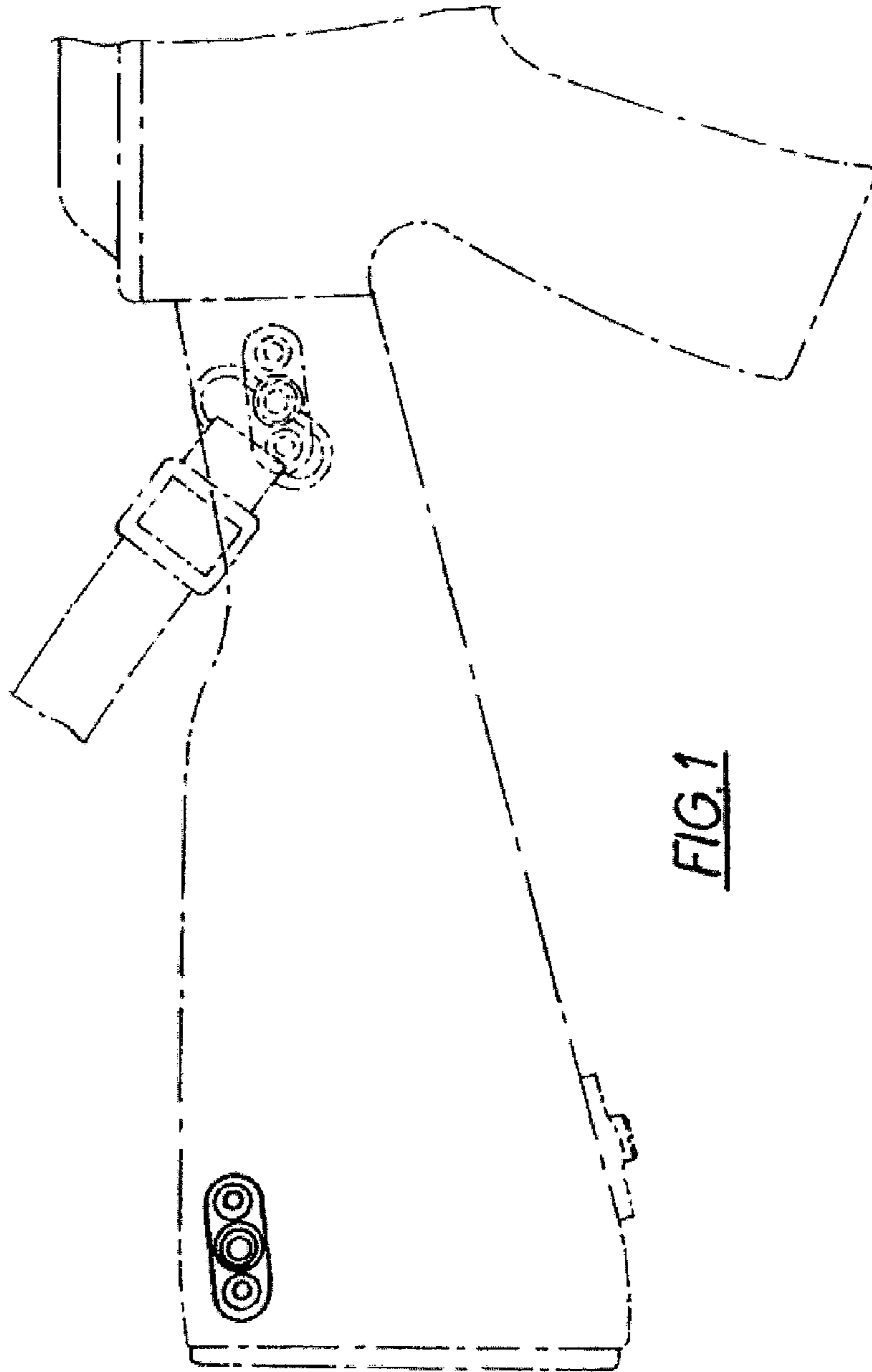


FIG. 1

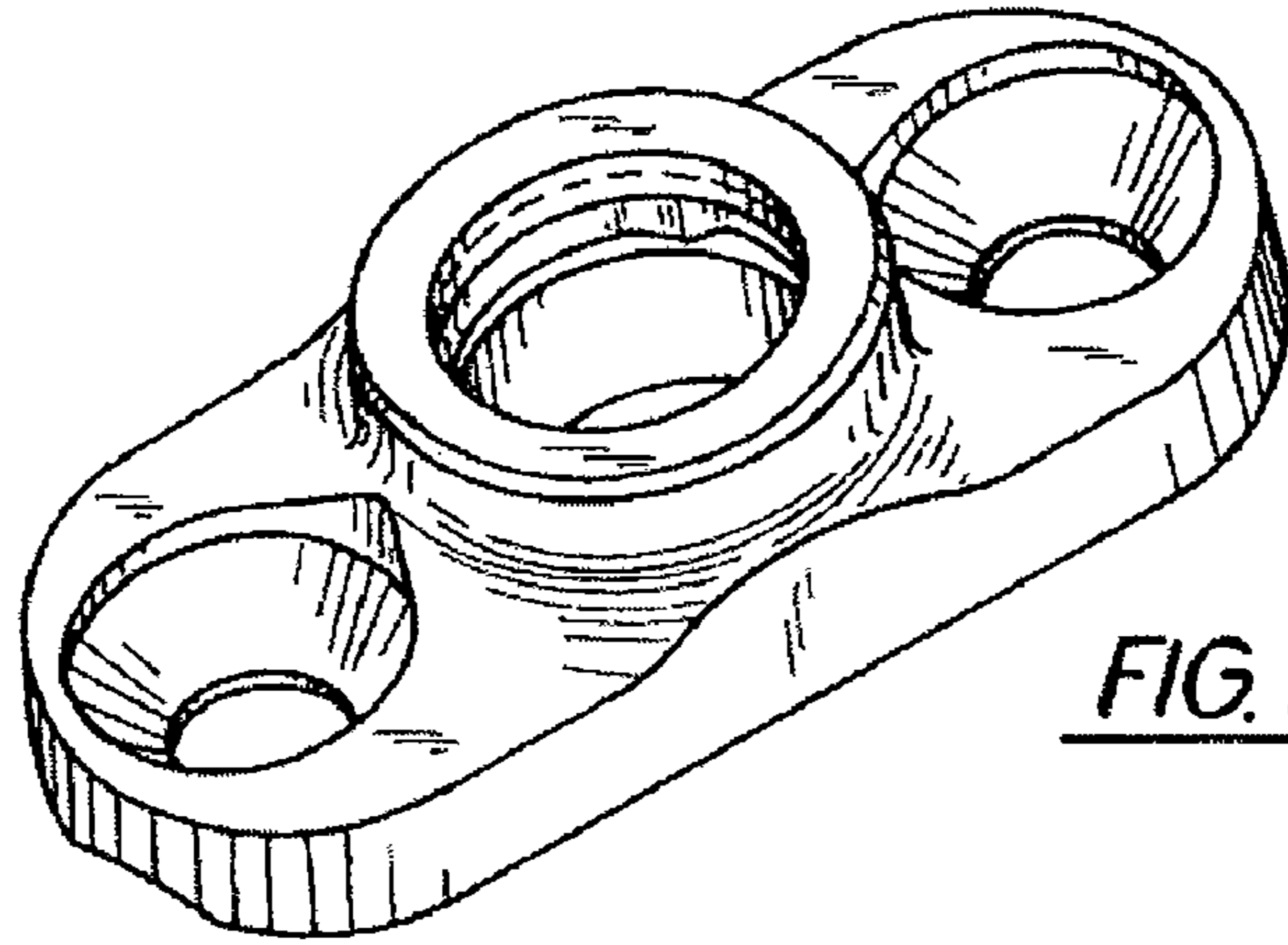


FIG. 2

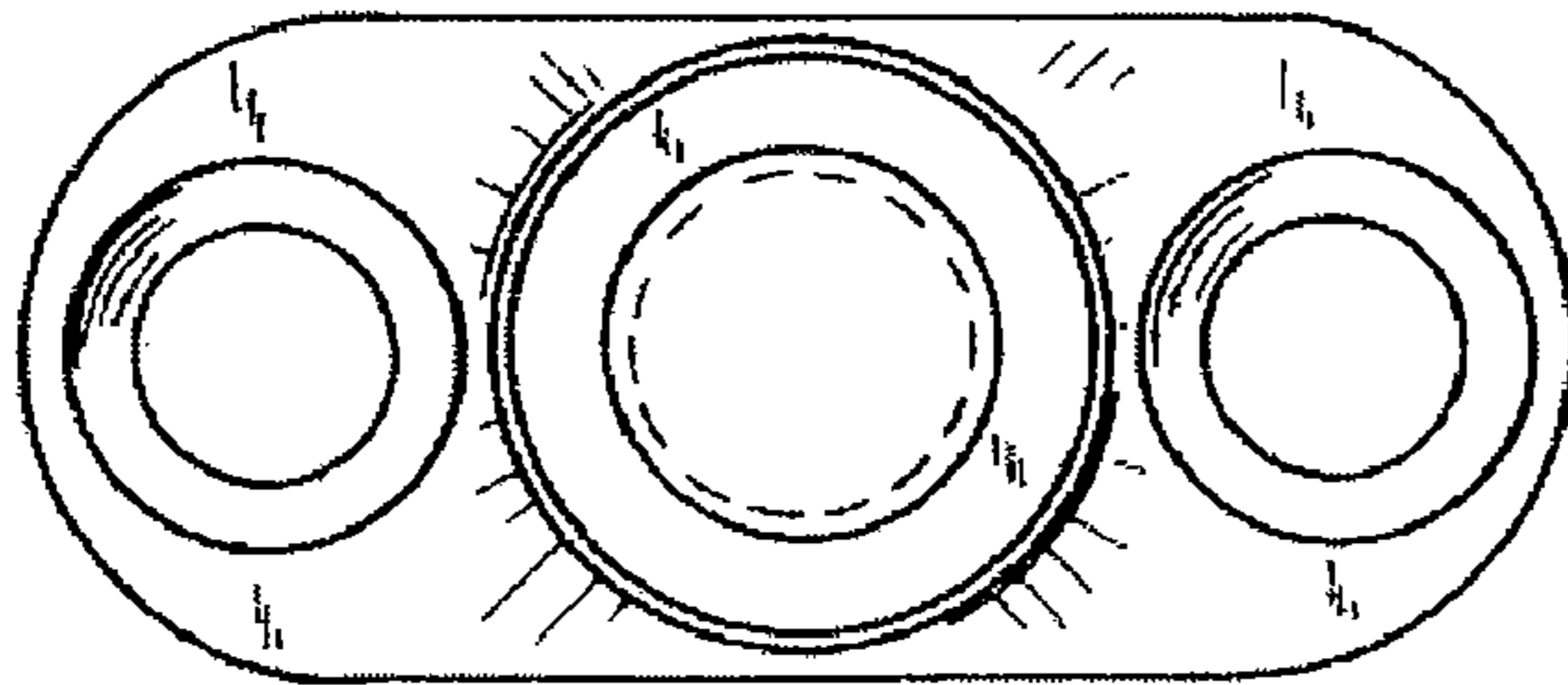


FIG. 3

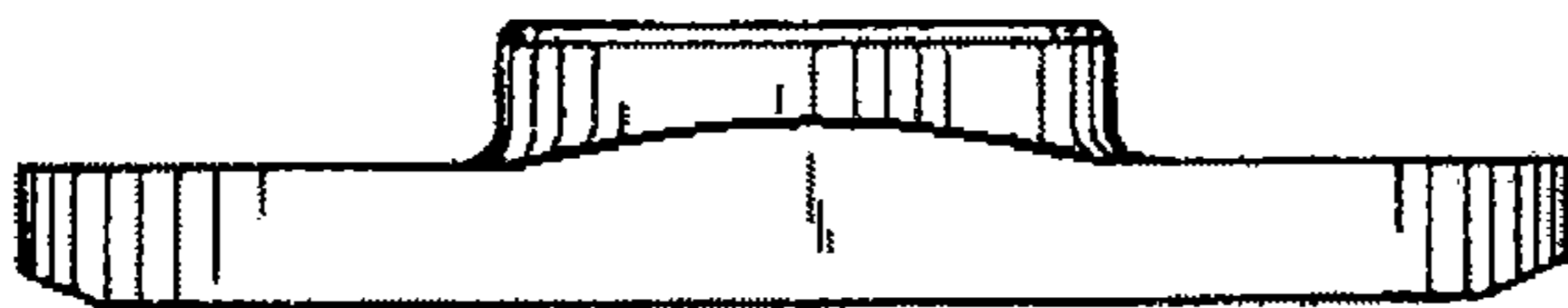


FIG. 4

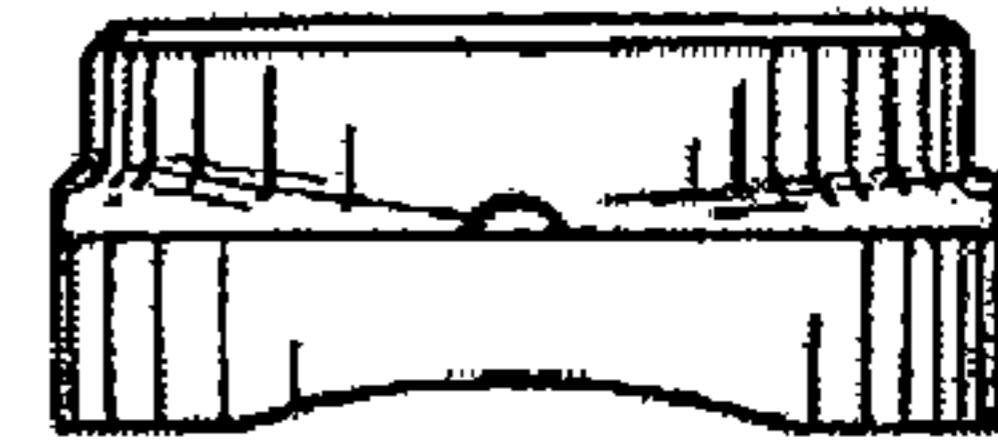


FIG. 5

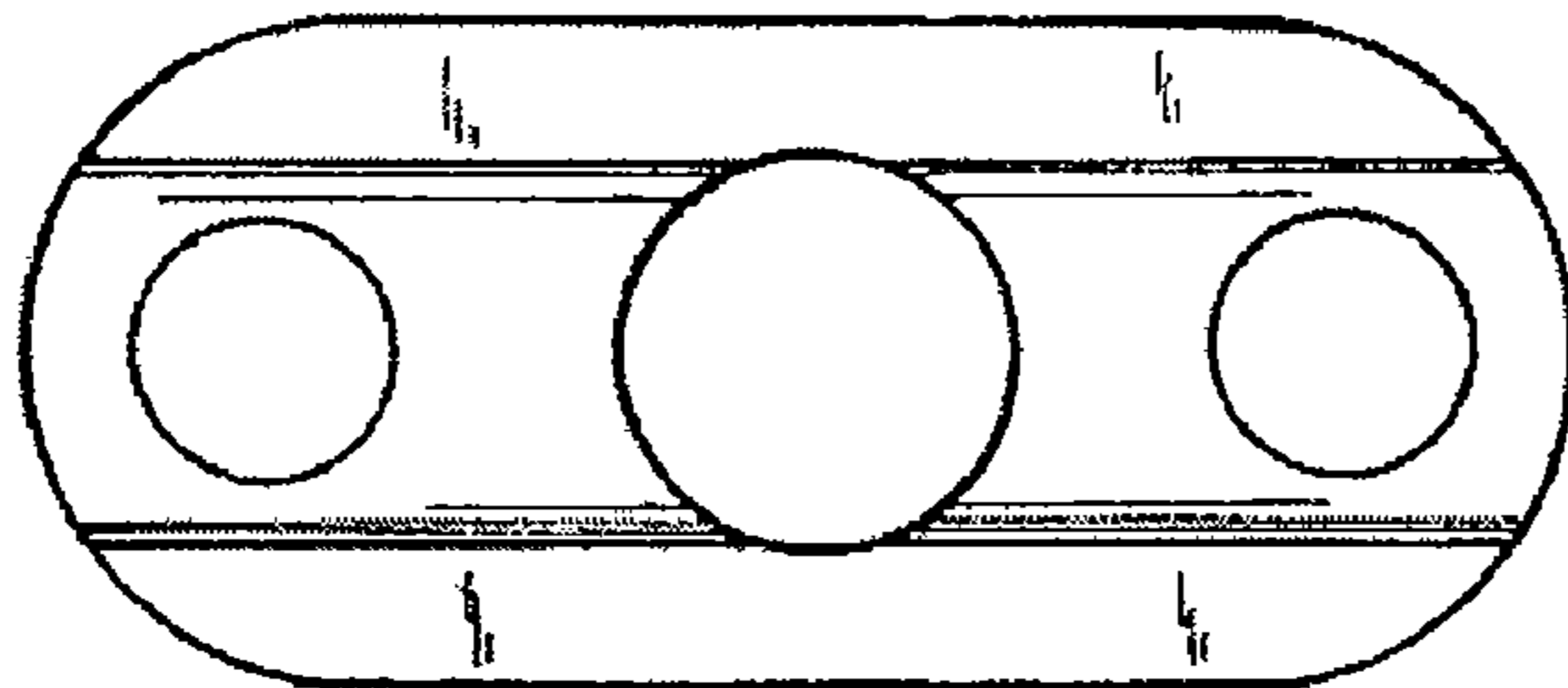


FIG. 6