



US00D667913S

(12) **United States Design Patent**
Finnigan et al.

(10) **Patent No.:** **US D667,913 S**
(45) **Date of Patent:** **** Sep. 25, 2012**

- (54) **ILLUMINATED TENT STAKE**
- (75) Inventors: **Robert R. Finnigan**, Renton, WA (US);
Kevin Hicks, Vancouver, WA (US);
Michael Lindars, Portland, OR (US)
- (73) Assignee: **Atak International, LLC**, Renton, WA (US)
- (**) Term: **14 Years**
- (21) Appl. No.: **29/405,972**
- (22) Filed: **Nov. 8, 2011**
- (51) **LOC (9) Cl.** **21-04**
- (52) **U.S. Cl.** **D21/840; D26/67**
- (58) **Field of Classification Search** D21/840;
D8/1, 356, 388, 392; D25/121, 126, 131;
D26/65, 67-71, 138; 135/118; 52/155; 362/431
See application file for complete search history.

(56) **References Cited**

U.S. PATENT DOCUMENTS

3,104,064	A	*	9/1963	Bellek	362/267
D243,351	S	*	2/1977	Laukhuf	D30/154
D284,785	S	*	7/1986	Lemkin et al.	D23/221
D316,367	S	*	4/1991	Olson	D8/356
D333,526	S	*	2/1993	Taylor	D25/131
D334,333	S	*	3/1993	Christen et al.	D8/356
D365,169	S	*	12/1995	Fillipp	D26/138
D375,663	S	*	11/1996	Arnold	D8/1
D412,586	S	*	8/1999	Kenny	D25/131
6,116,760	A	*	9/2000	Cox	362/431
D439,999	S	*	4/2001	Stekelenburg	D26/65
D469,566	S	*	1/2003	Gary et al.	D26/138
D658,259	S	*	4/2012	Zhou et al.	D21/840

FOREIGN PATENT DOCUMENTS

CN ZL 2009 3018 34424 3/2010

OTHER PUBLICATIONS

Gear Diary, "Tent stake with built-in LED light makes late night tent setups a snap", Sep. 22, 2009, Retrieved online May 6, 2012 online,

<URL: <http://www.geardiary.com/2009/09/22/tent-stake-with-built-in-led-light-makes-late-night-tent-setups-a-snap/>>.*
Atak, Lighted Tent Stake product brochure, 3 sheets, May 2011.
Coghlan's 10" Nail Tent Pegs, 4-Pack, (Walmart.com,) Jan. 30, 2010, [online], [retrieved on Feb. 17, 2012] Retrieved from Internet Archive using Internet <URL: web.archive.org/web/20100130211829/http://www.walmart.com/ip/Coghlan-s-10-Nail-Tent-Pegs-4-Pack/8586940>.

* cited by examiner

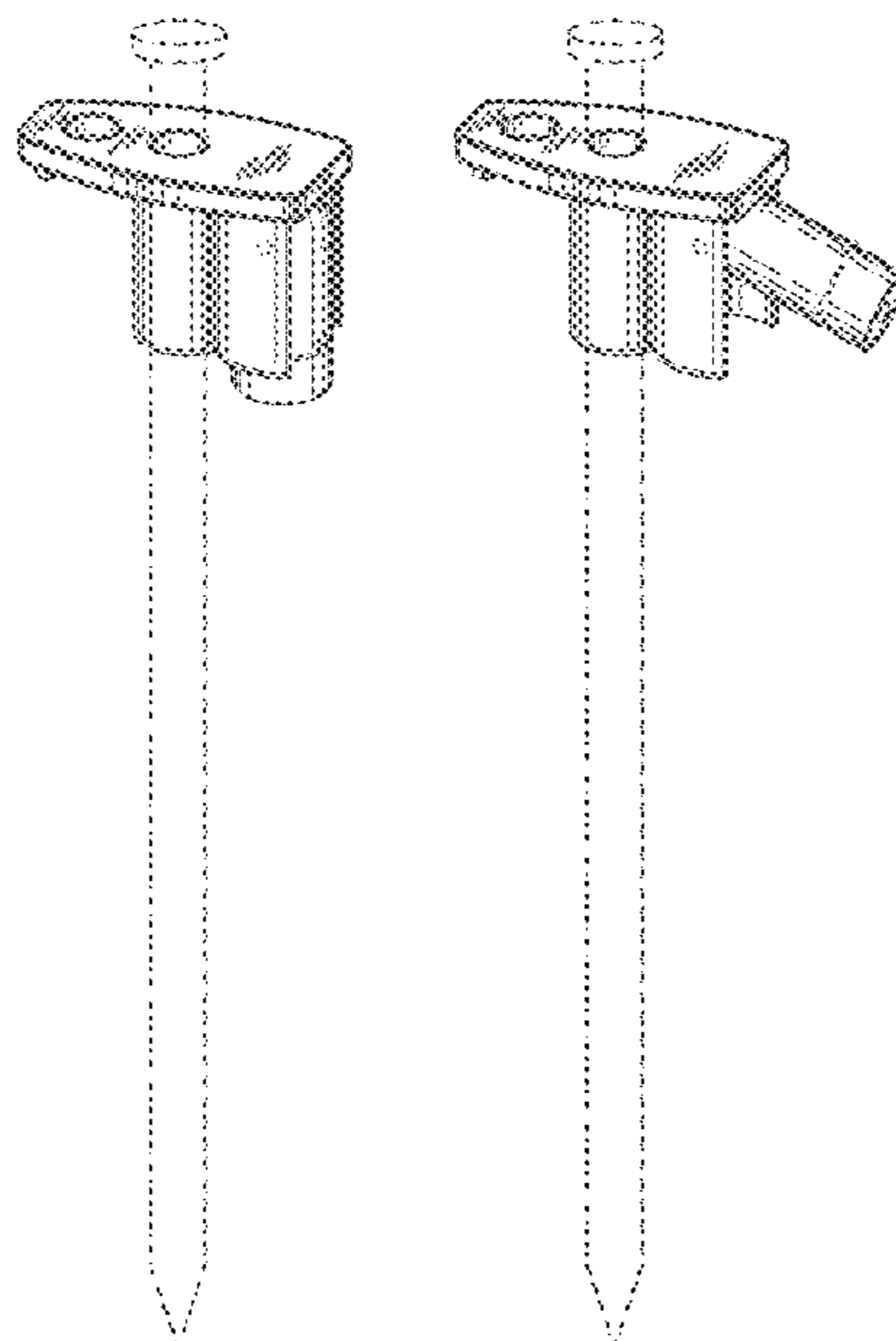
Primary Examiner — Cynthia M Chin
(74) *Attorney, Agent, or Firm* — Stoel Rives LLP

(57) **CLAIM**
We claim the ornamental design for an illuminated tent stake, as shown and described.

DESCRIPTION

FIG. 1 is an isometric view of the lighted tent stake shown in the stowed position;
FIG. 2 is an isometric view of the lighted tent stake shown in the deployed position;
FIG. 3 is a right side elevation view of the illuminated tent stake of FIG. 1;
FIG. 4 is a top plan view of the illuminated tent stake of FIG. 1;
FIG. 5 is a bottom plan view of the illuminated tent stake of FIG. 1;
FIG. 6 is a rear elevation view of the illuminated tent stake of FIG. 1; and,
FIG. 7 is a front elevation view of the illuminated tent stake of FIG. 1.
The broken lines shown are included for the purpose of illustrating the unclaimed portions of the article and forms no part of the claimed design.

1 Claim, 2 Drawing Sheets



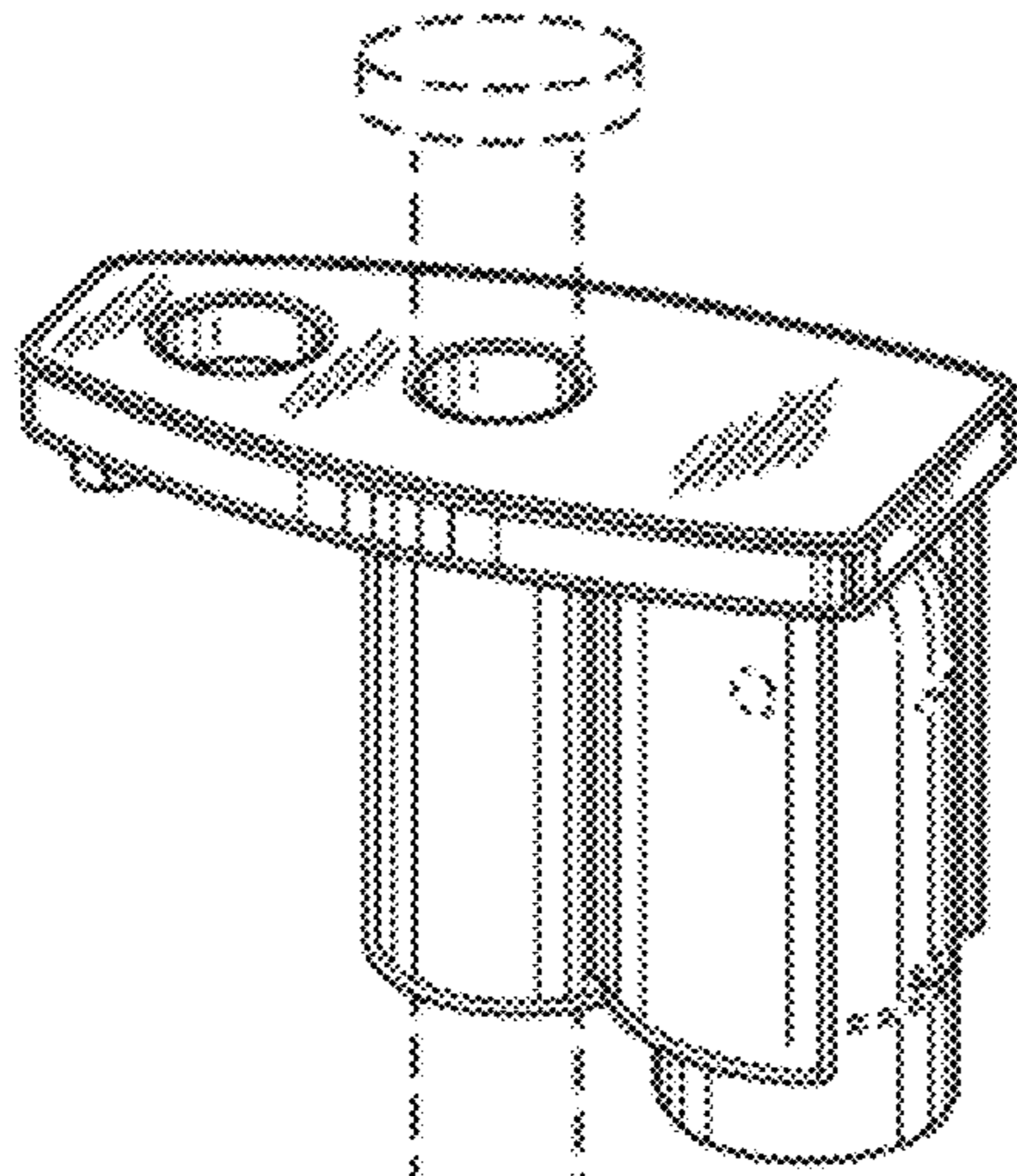


FIG. 1

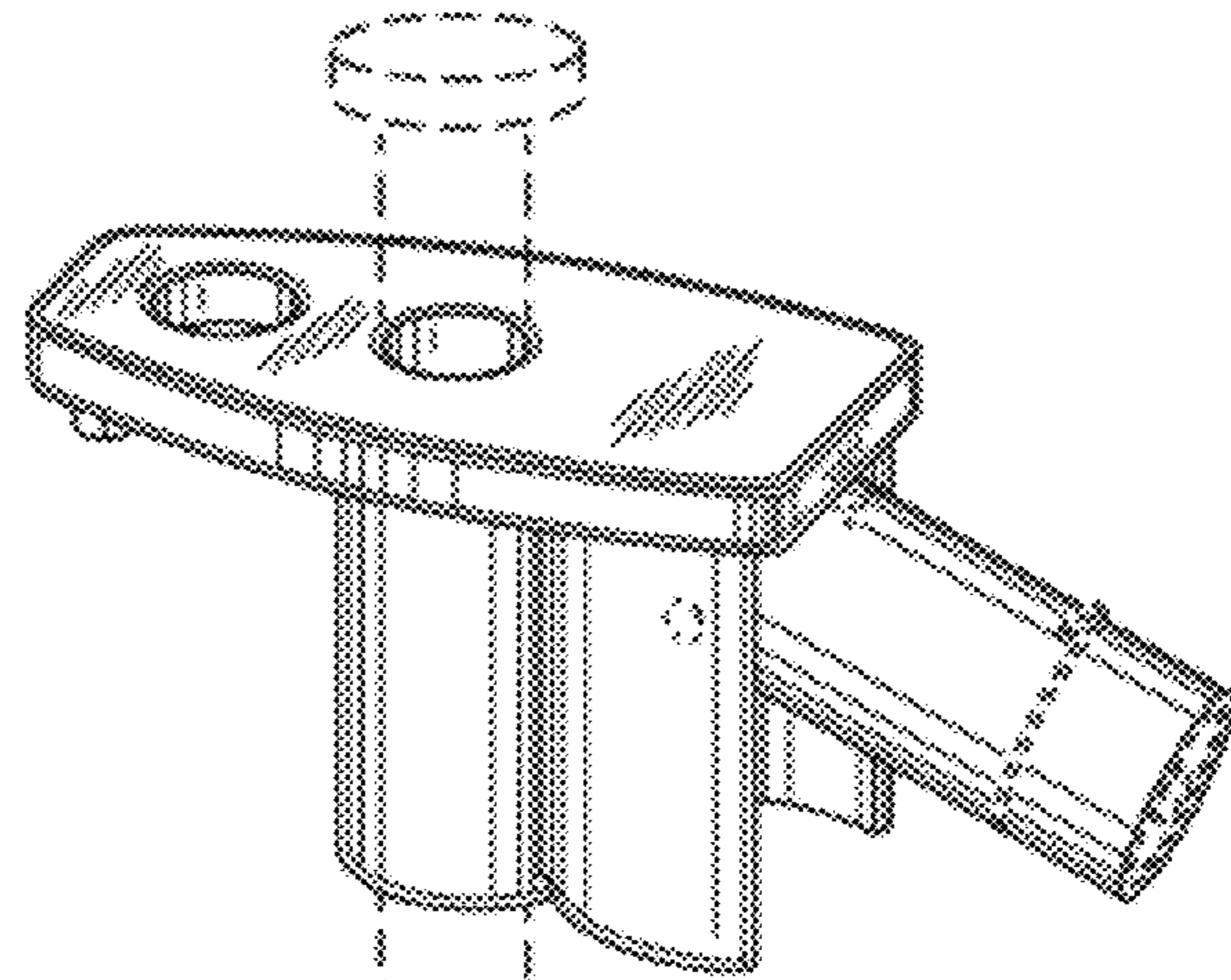


FIG. 2

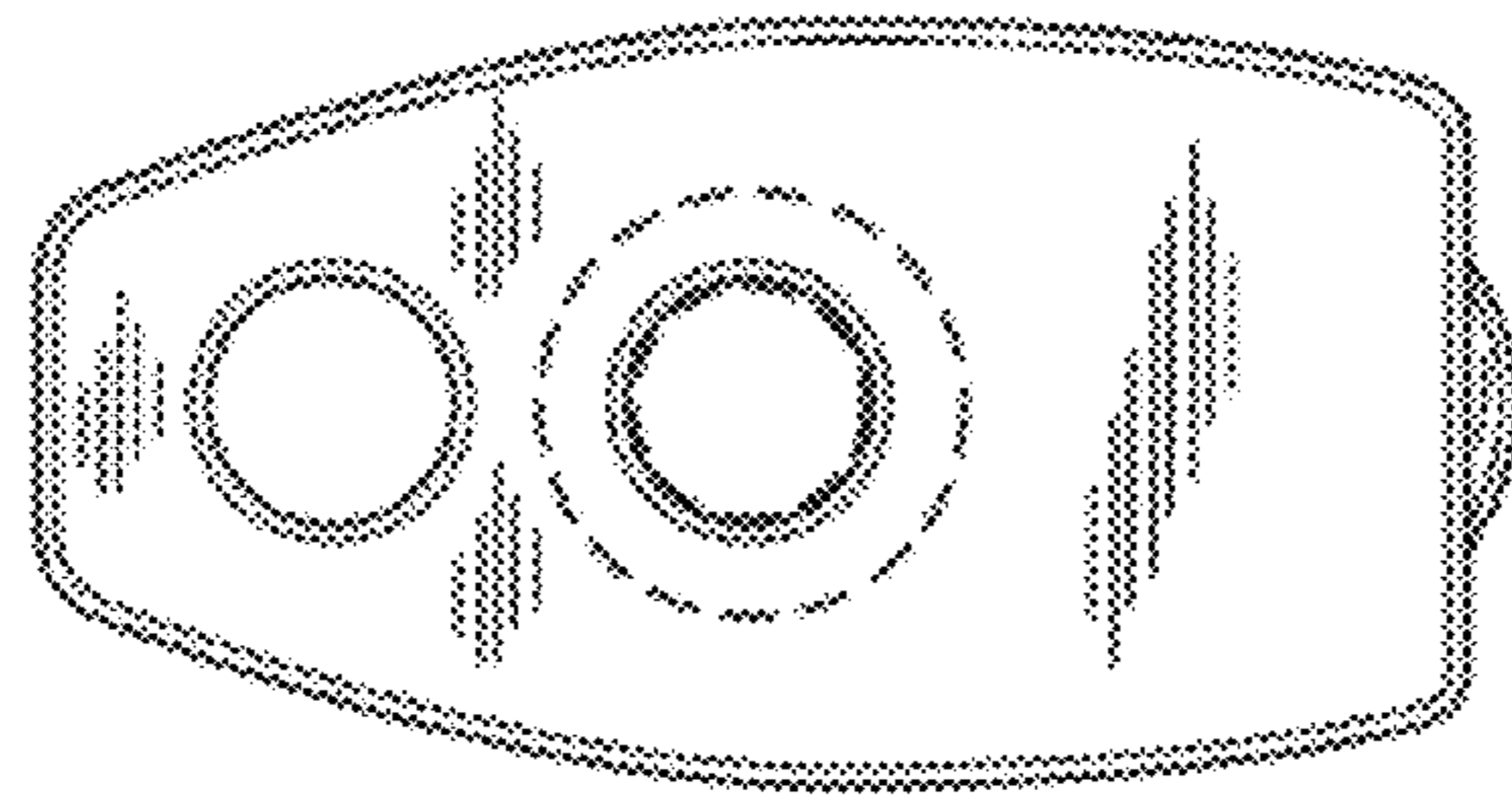


FIG. 4

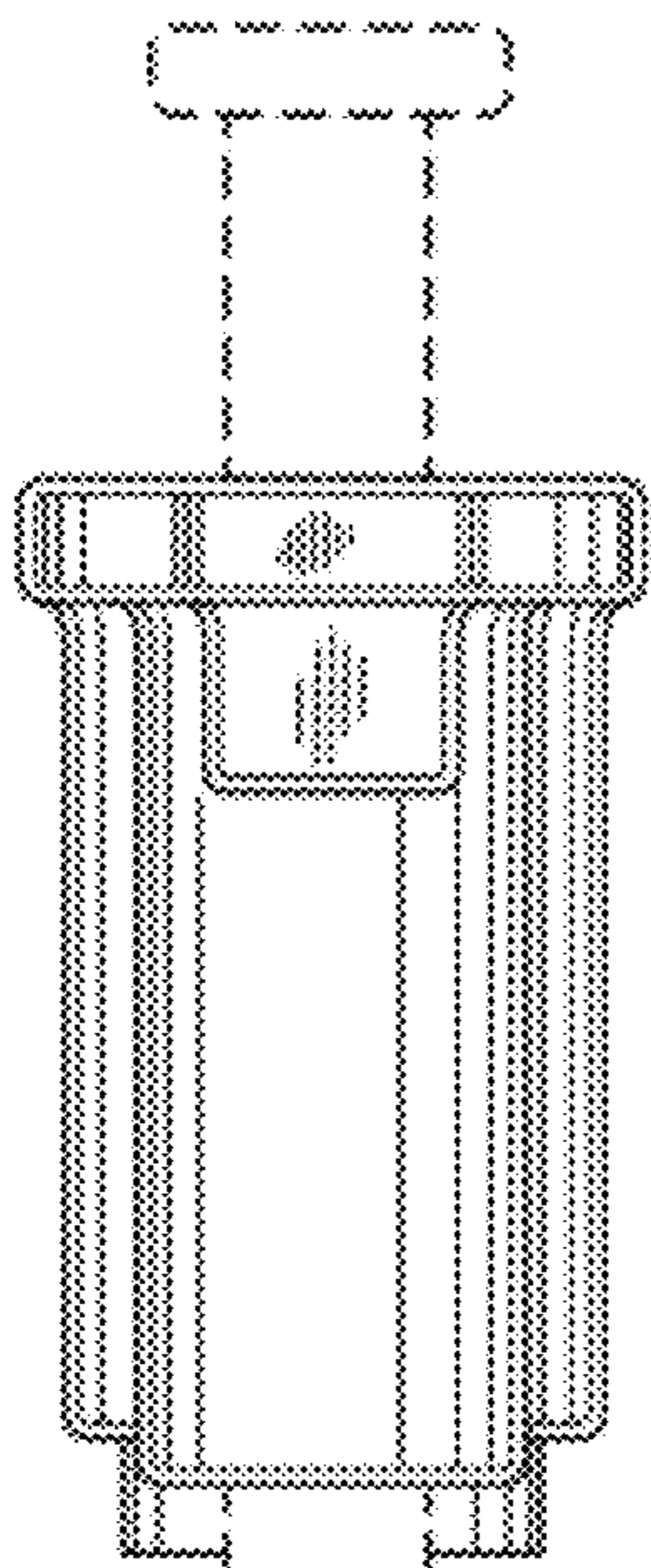


FIG. 6

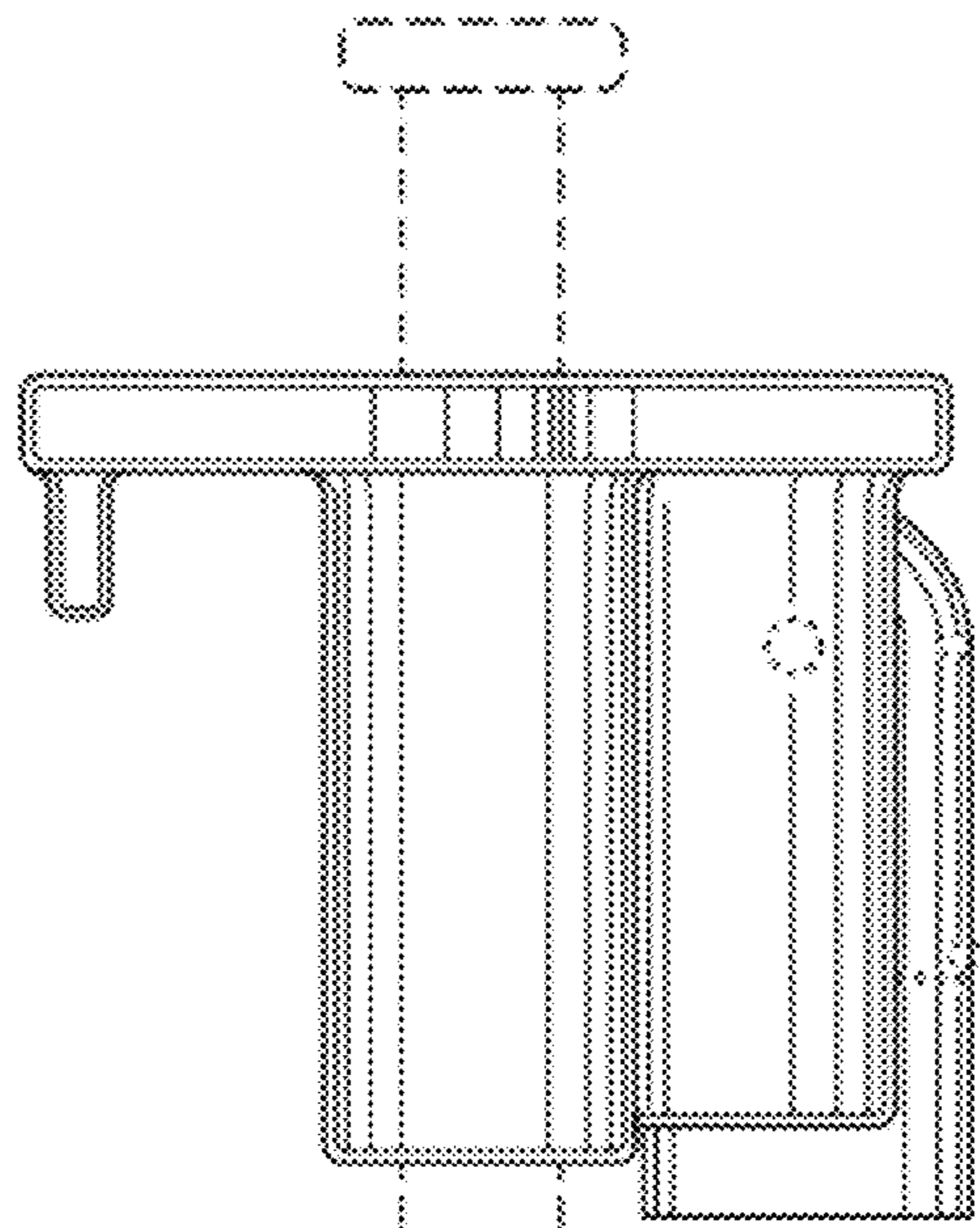


FIG. 3

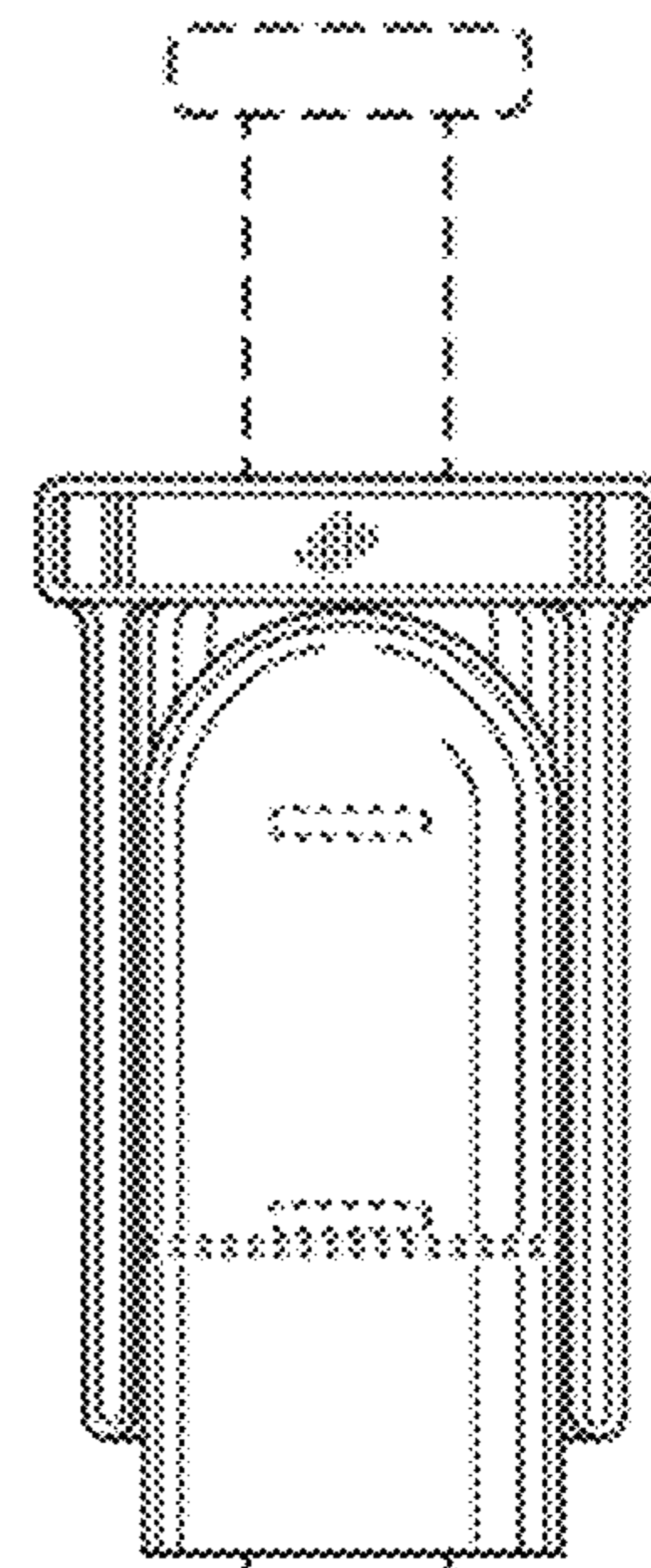


FIG. 7

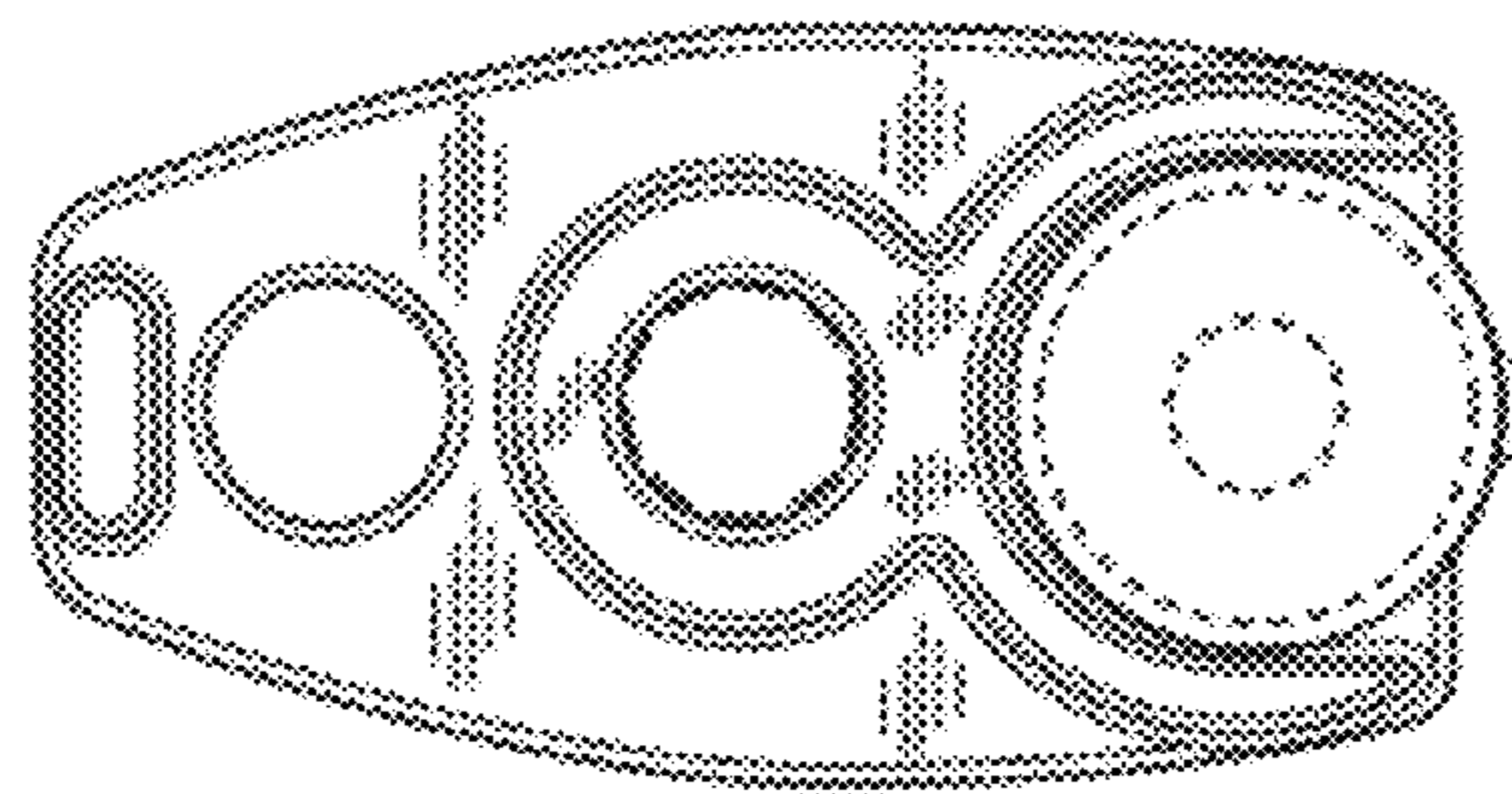


FIG. 5