



US00D667906S

(12) **United States Design Patent**
Butler

(10) **Patent No.:** **US D667,906 S**
(45) **Date of Patent:** **** Sep. 25, 2012**

(54) **BLADE PUTTER**

DESCRIPTION

- (75) Inventor: **Byron Butler**, Murrieta, CA (US)
- (73) Assignee: **Short Game, L.L.C.**, Naples, FL (US)
- (**) Term: **14 Years**
- (21) Appl. No.: **29/395,196**
- (22) Filed: **Dec. 16, 2011**
- (51) **LOC (9) Cl.** **21-02**
- (52) **U.S. Cl.** **D21/743**
- (58) **Field of Classification Search** D21/736-746;
473/324-331, 340-341, 251-256
See application file for complete search history.

(56) **References Cited**

U.S. PATENT DOCUMENTS

D231,375 S *	4/1974	Solheim	D21/742
D306,630 S *	3/1990	Dinte et al.	D21/743
D405,836 S *	2/1999	Nicolette et al.	D21/736
D409,701 S *	5/1999	Ashcraft et al.	D21/743
D427,262 S *	6/2000	Frazetta	D21/743
D443,905 S *	6/2001	Nicolette et al.	D21/743
D486,194 S *	2/2004	Helmstetter et al.	D21/743
D592,719 S *	5/2009	Hettinger et al.	D21/743
D596,683 S *	7/2009	Hettinger	D21/746
D650,455 S *	12/2011	Serrano et al.	D21/743

* cited by examiner

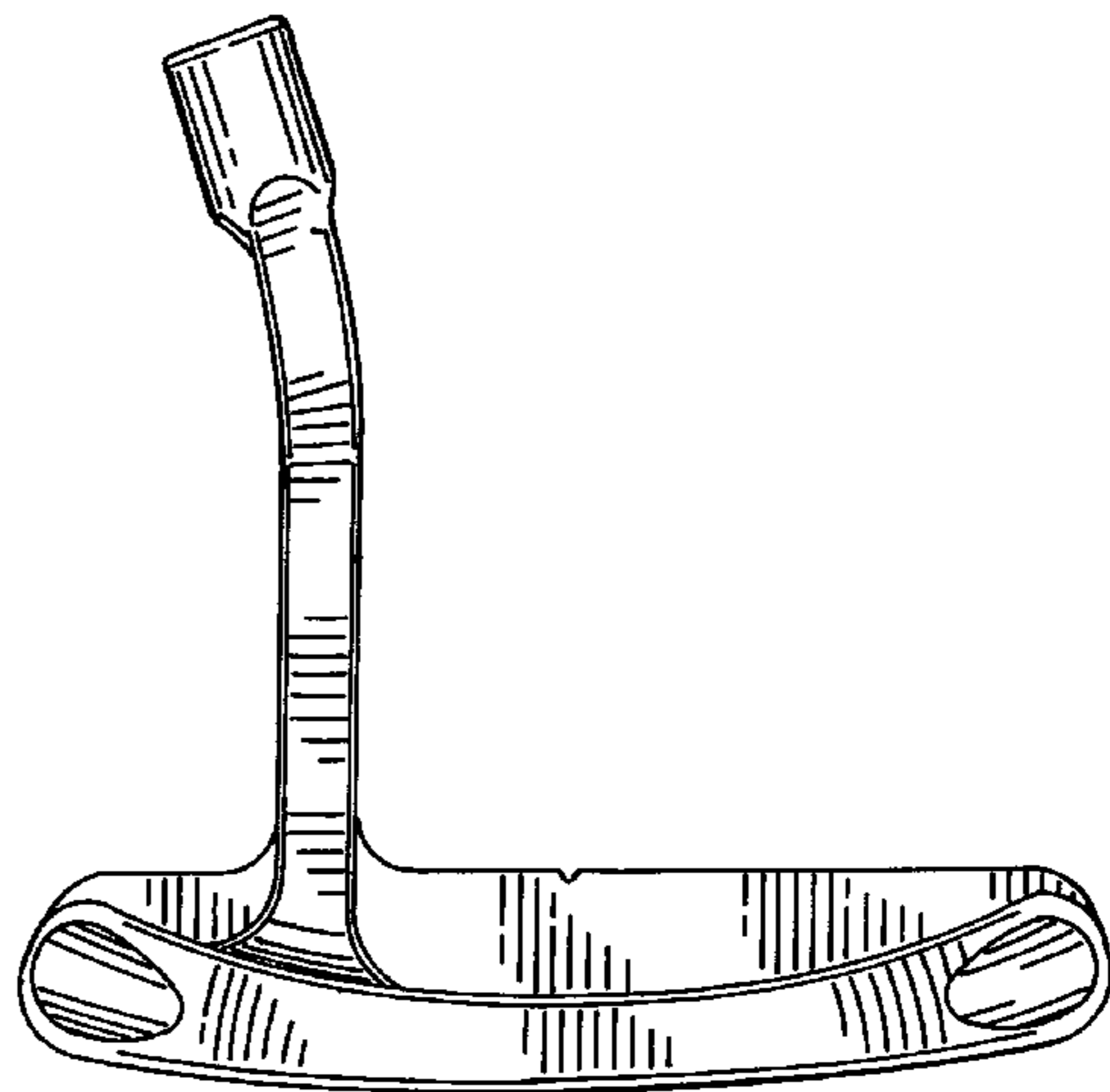
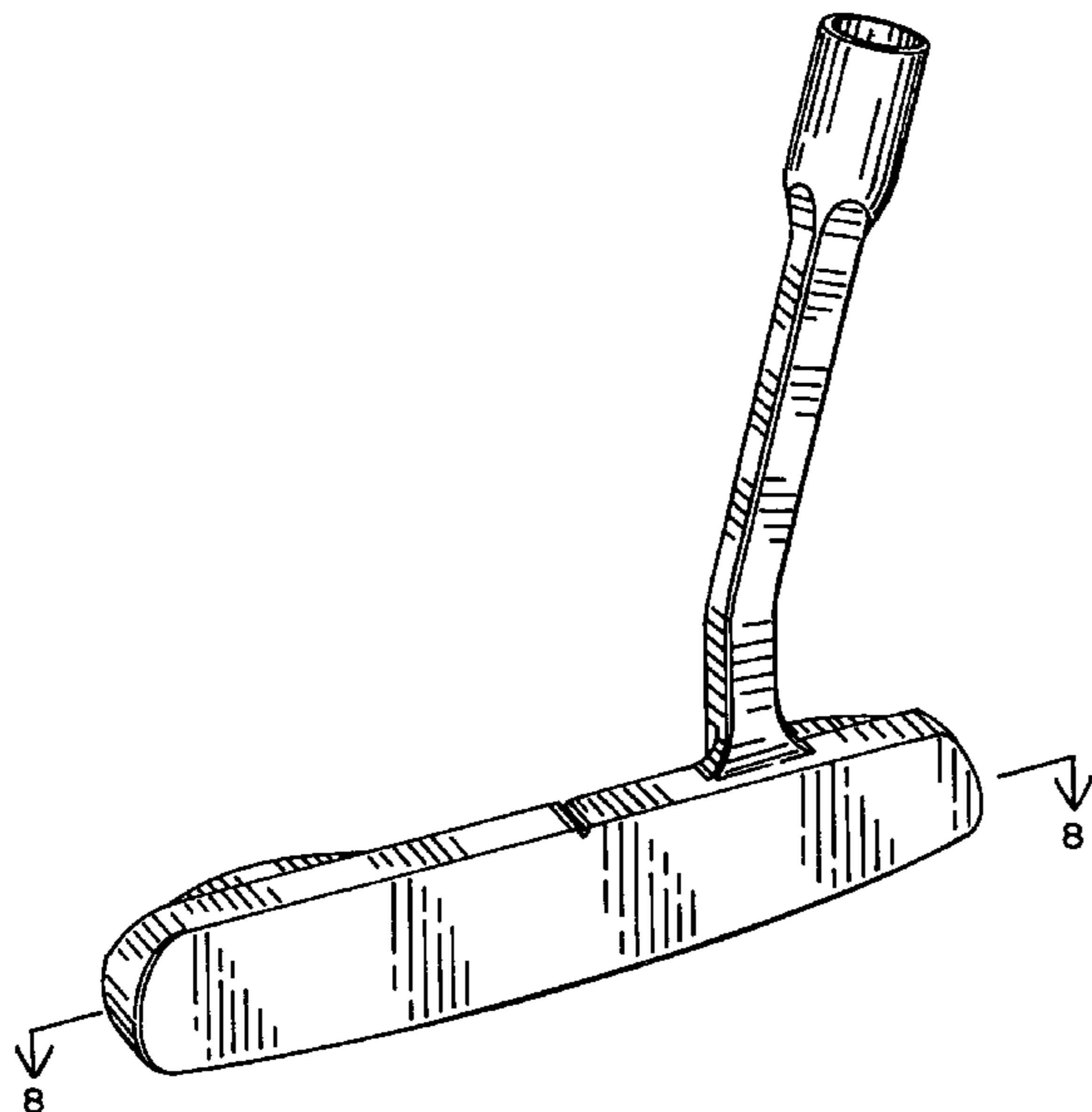
Primary Examiner — Mitchell Siegel
(74) *Attorney, Agent, or Firm* — Leonard Tachner

(57) **CLAIM**

The ornamental design for a blade putter, as shown and described.

FIG. 1 is an isometric view of a first embodiment of the present invention;
 FIG. 2 is a front view of a first embodiment of the present invention;
 FIG. 3 is a back view of a first embodiment of the present invention;
 FIG. 4 is a right-side view of a first embodiment of the present invention;
 FIG. 5 is a left-side view of a first embodiment of the present invention;
 FIG. 6 is a top view of a first embodiment of the present invention;
 FIG. 7 is a bottom view of a first embodiment of the present invention;
 FIG. 8 is a cross-sectional view taken along lines 8-8 of FIG. 1;
 FIG. 9 is an isometric view of a second embodiment of the present invention;
 FIG. 10 is a front view of a second embodiment of the present invention;
 FIG. 11 is a back view of a second embodiment of the present invention;
 FIG. 12 is a right-side view of a second embodiment of the present invention;
 FIG. 13 is a left-side view of a second embodiment of the present invention;
 FIG. 14 is a top view of a second embodiment of the present invention;
 FIG. 15 is a bottom view of a second embodiment of the present invention; and,
 FIG. 16 is a cross-sectional view taken along lines 16-16 of FIG. 9.

1 Claim, 8 Drawing Sheets



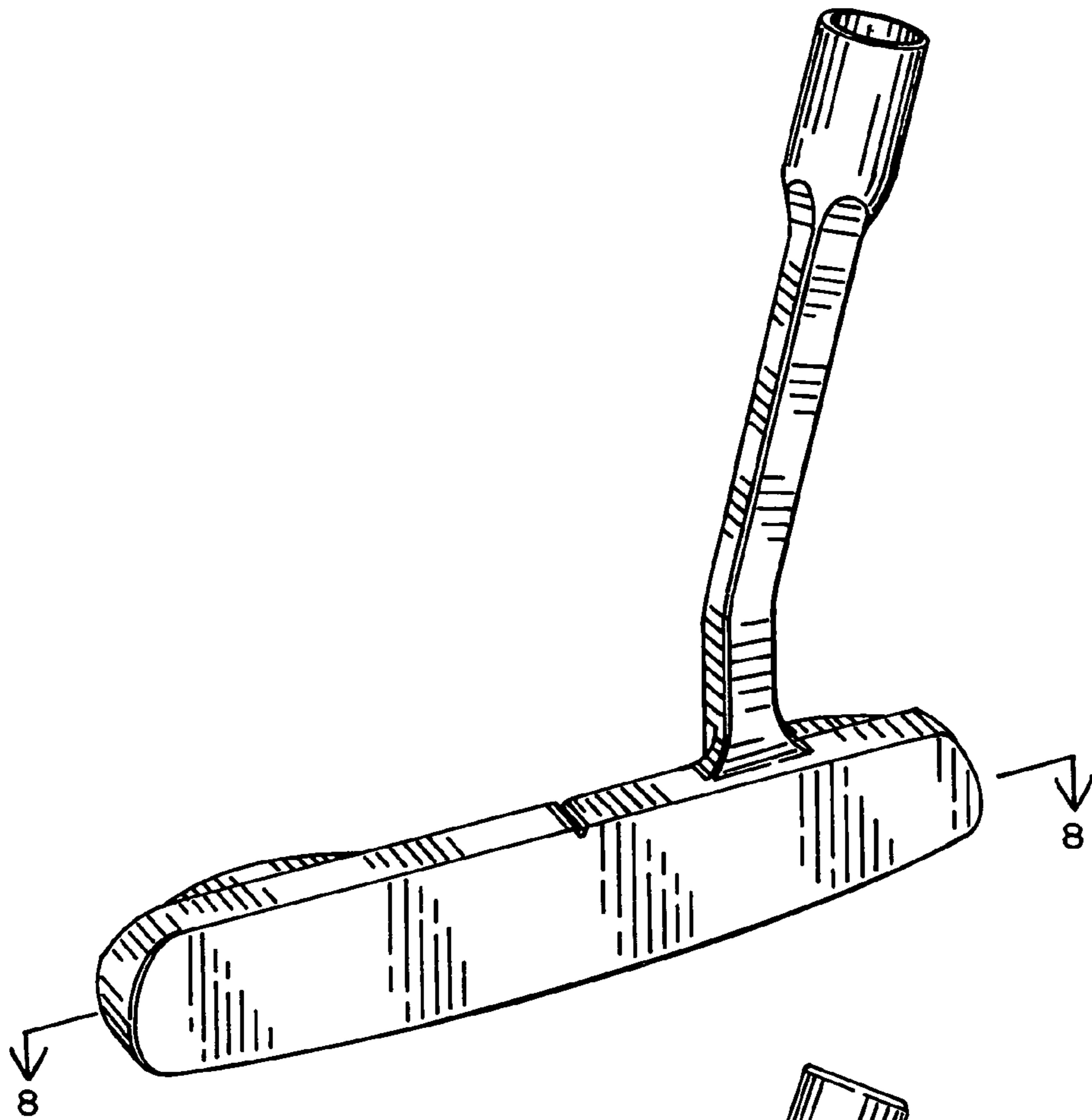


FIG. 1

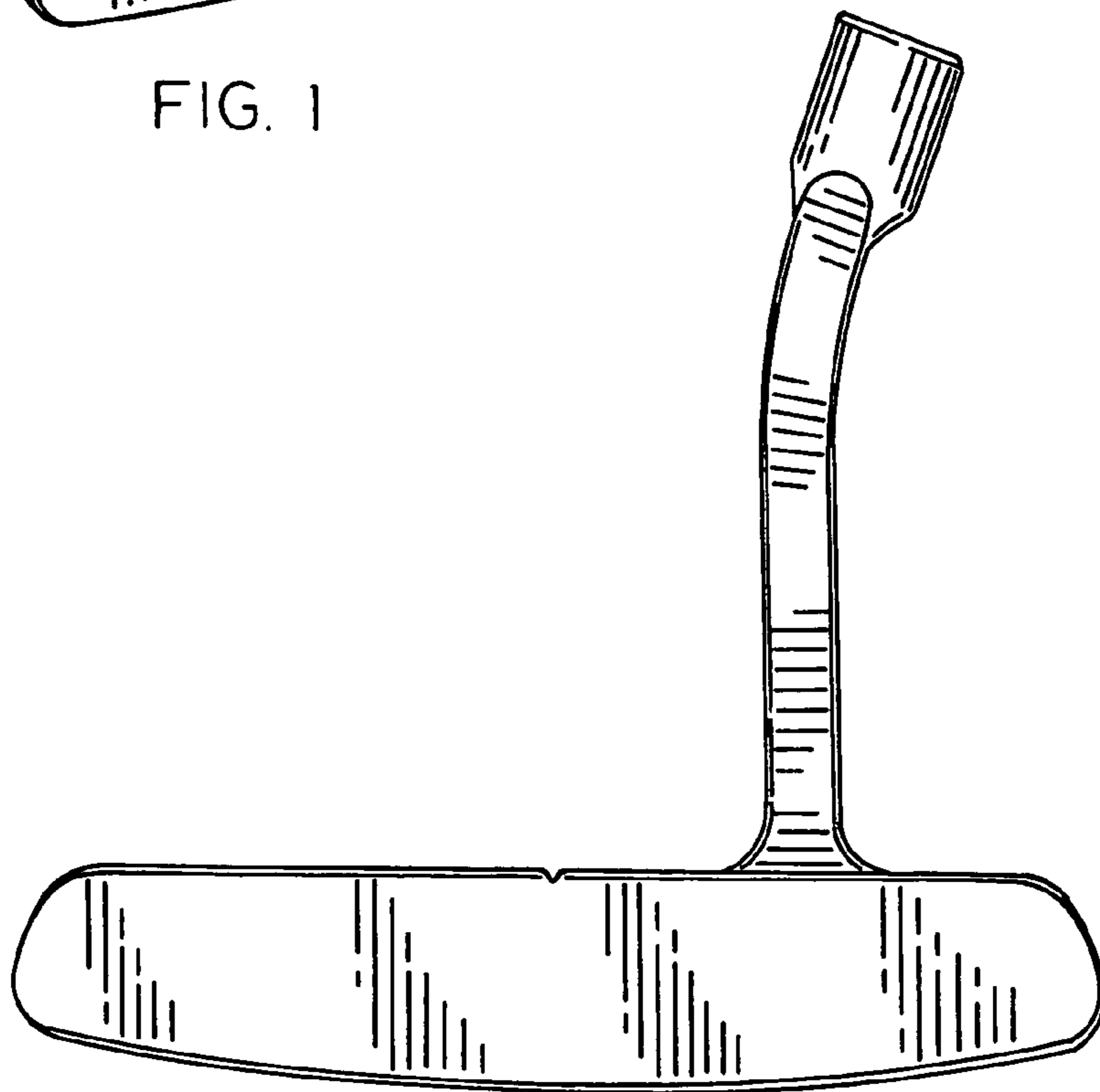


FIG. 2

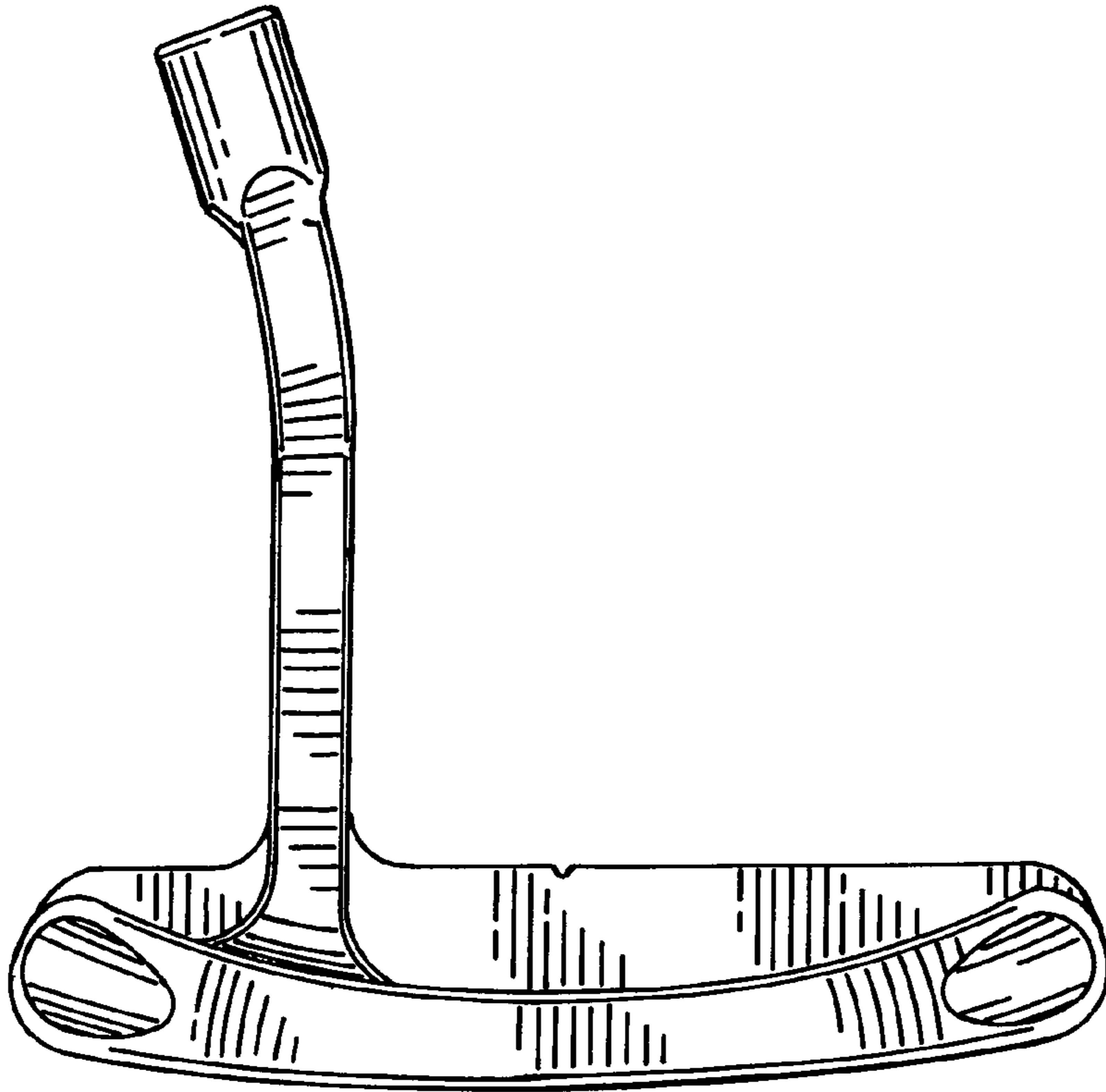


FIG. 3

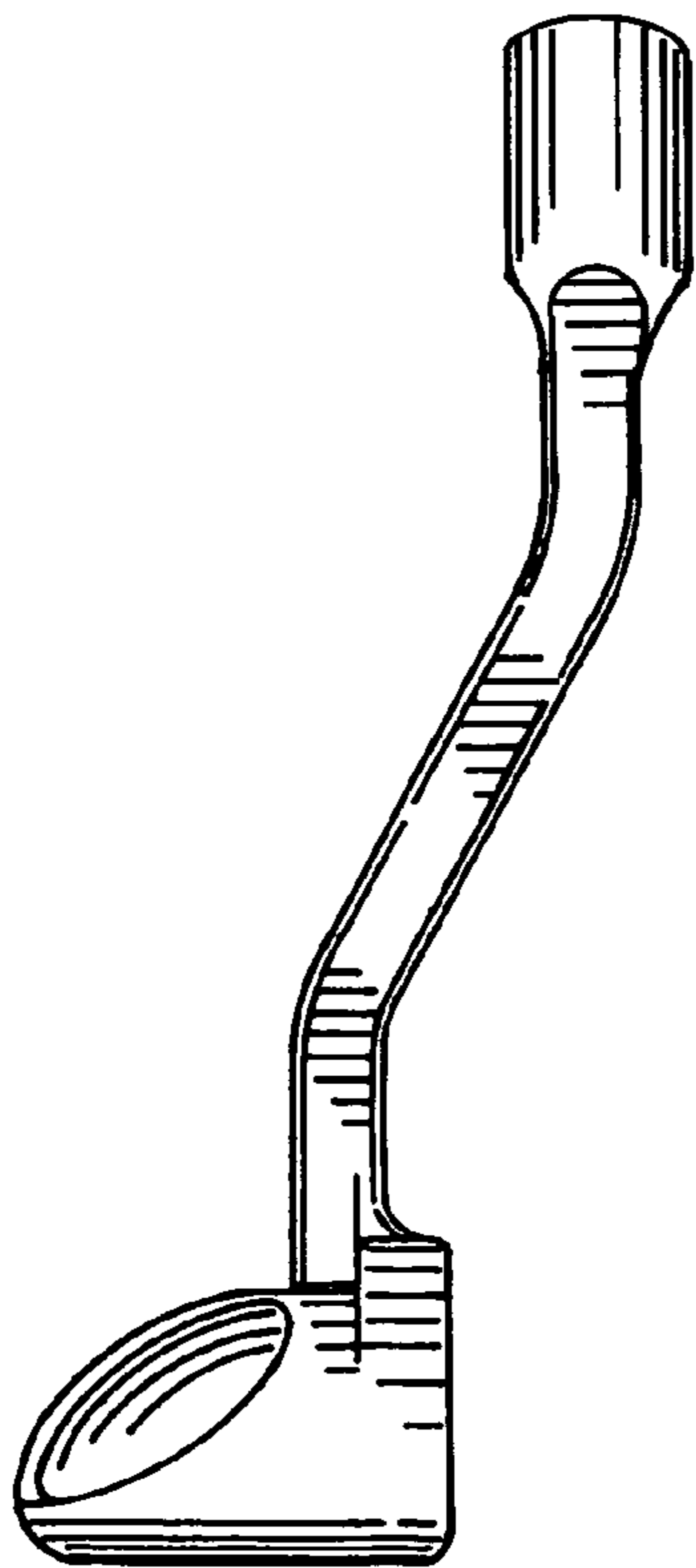


FIG. 4

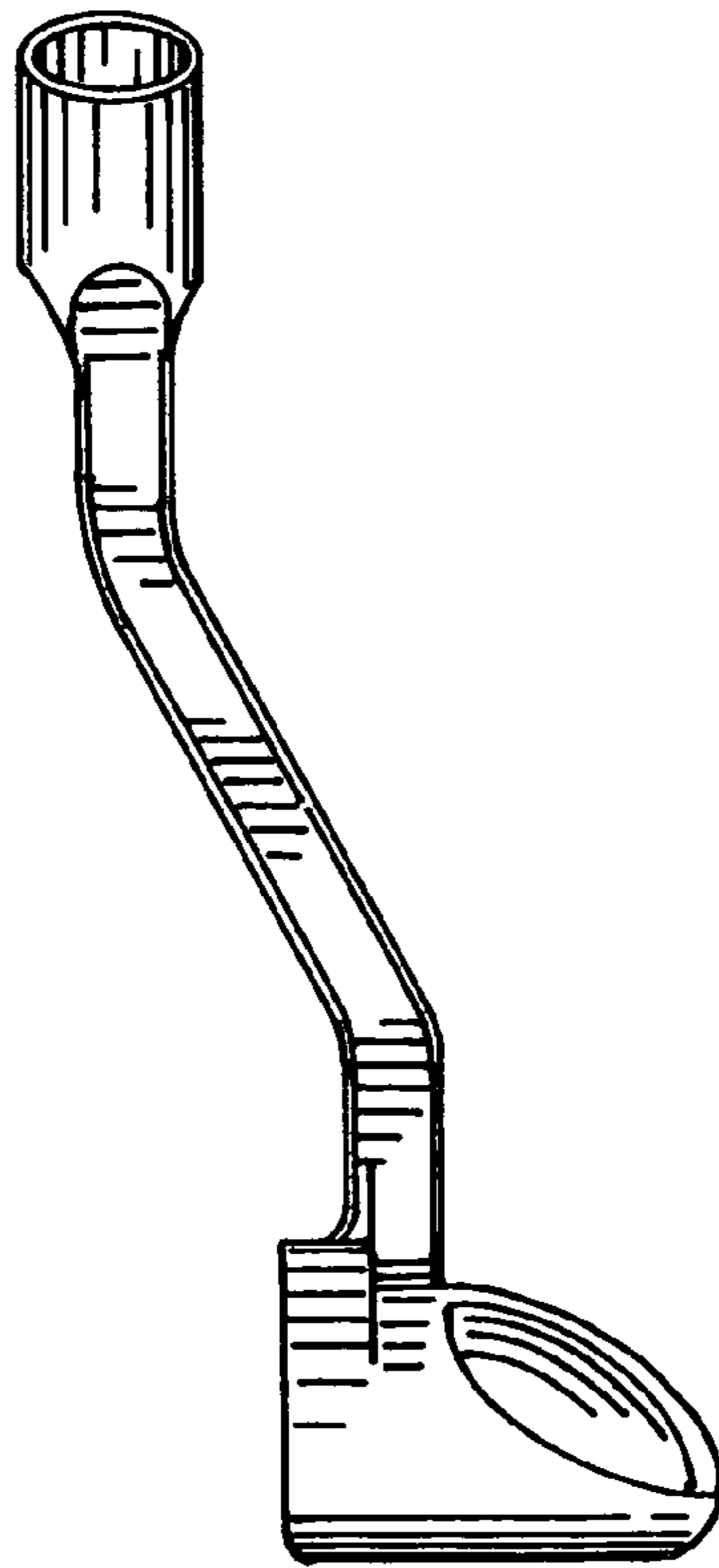


FIG. 5

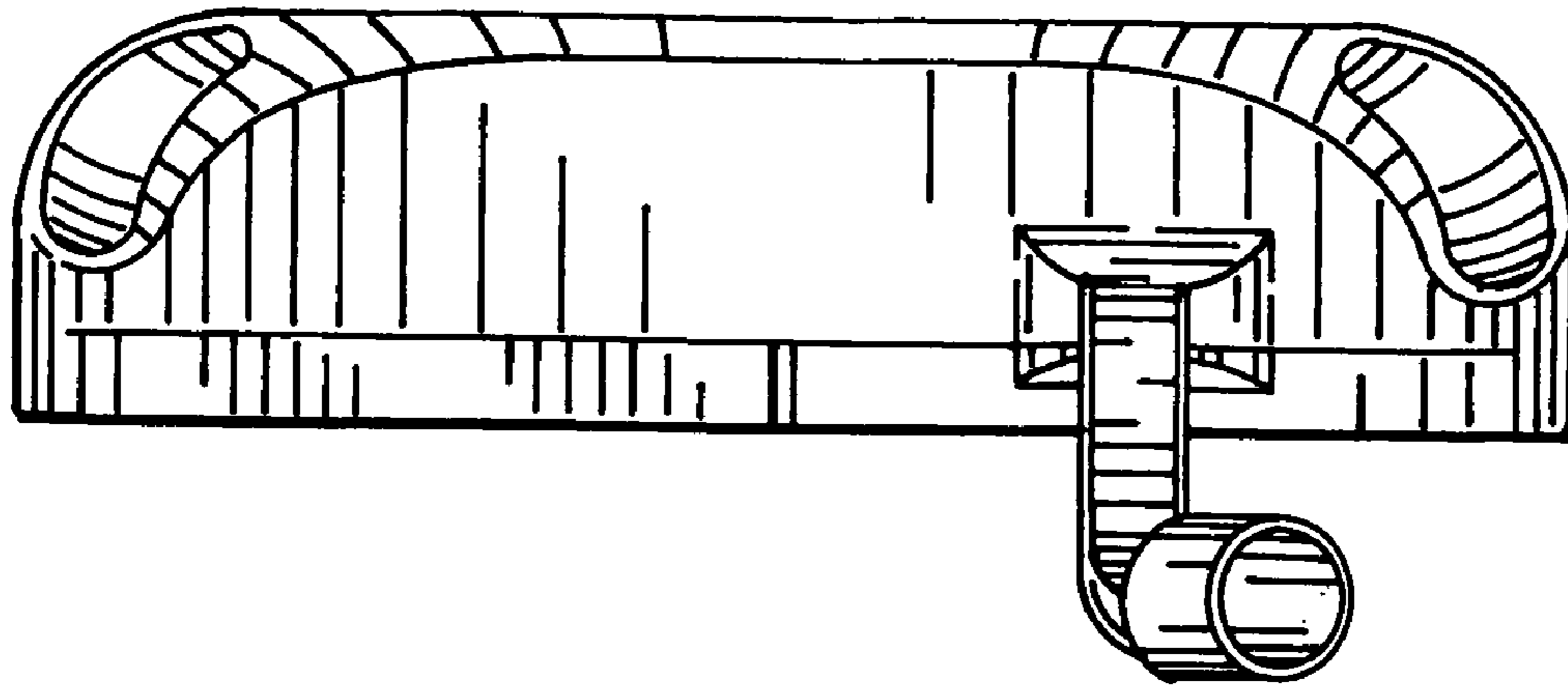


FIG. 6

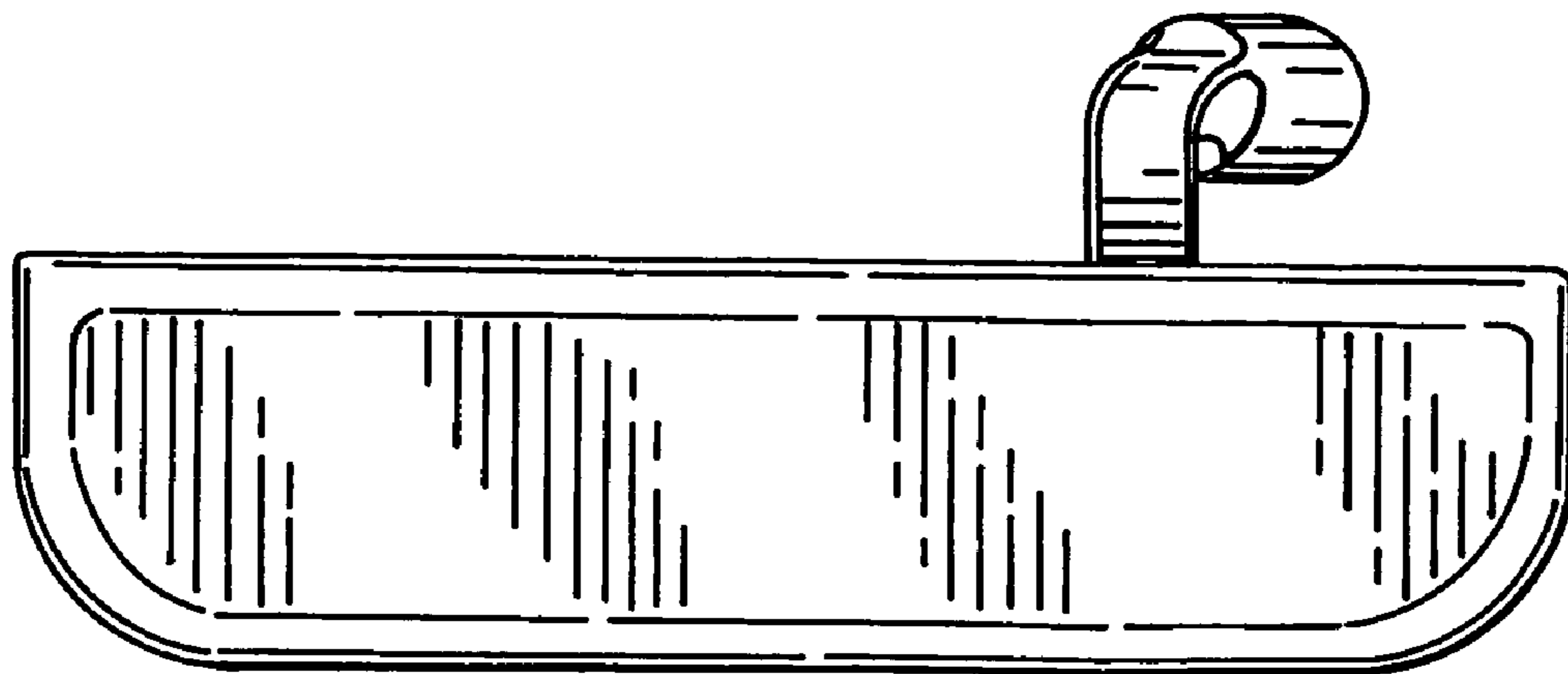


FIG. 7

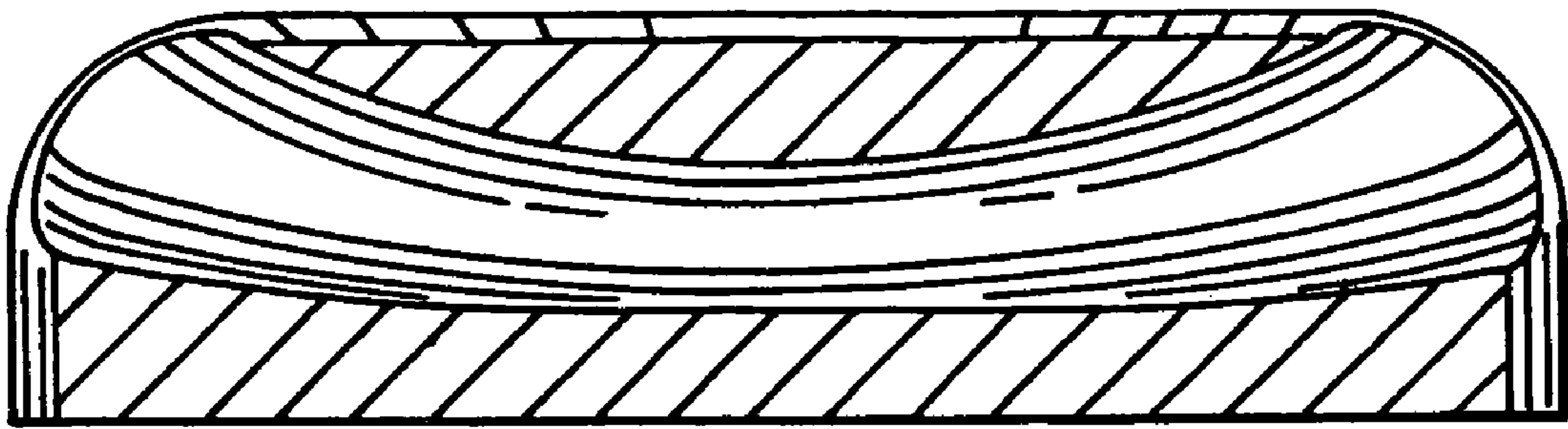
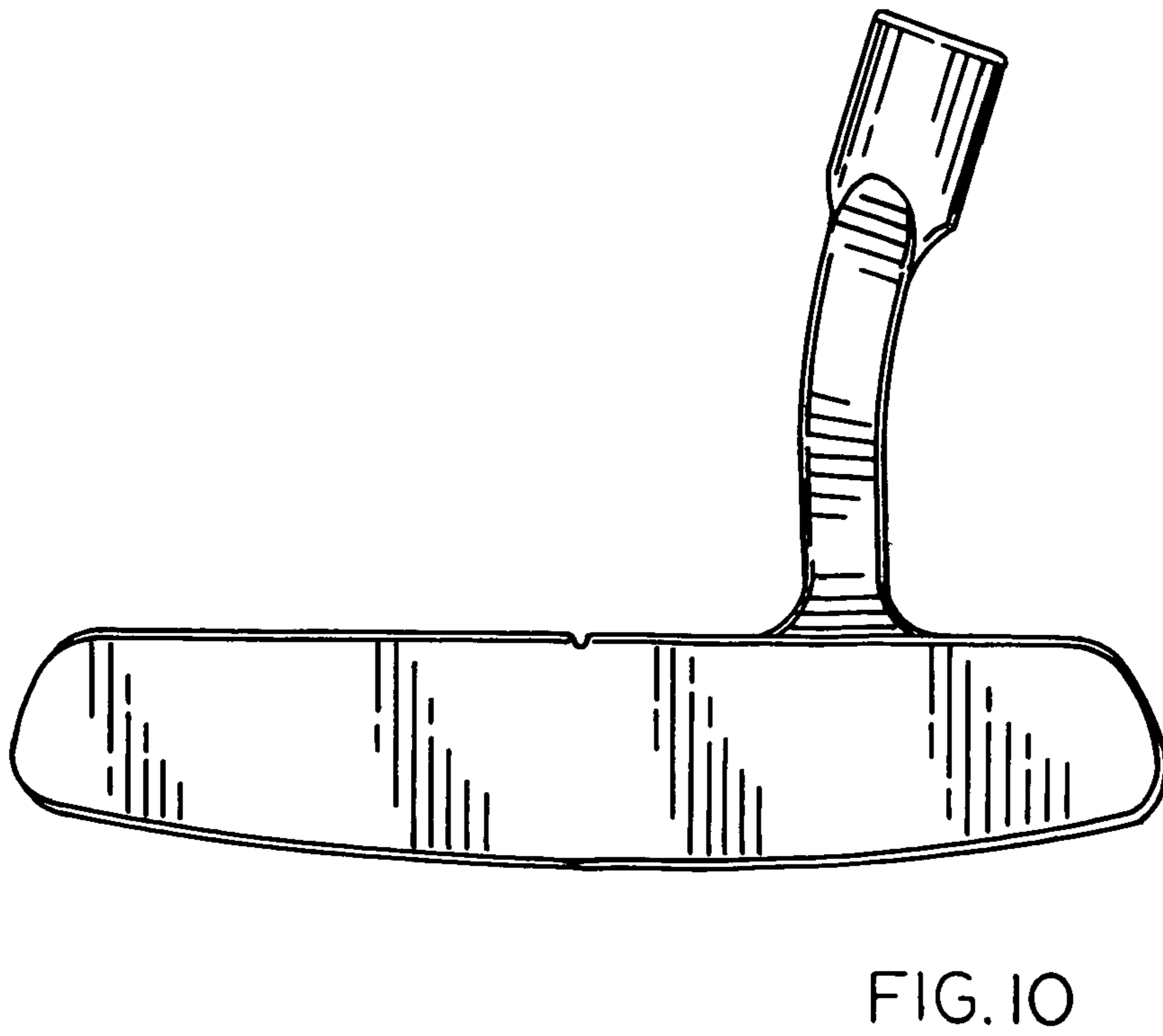
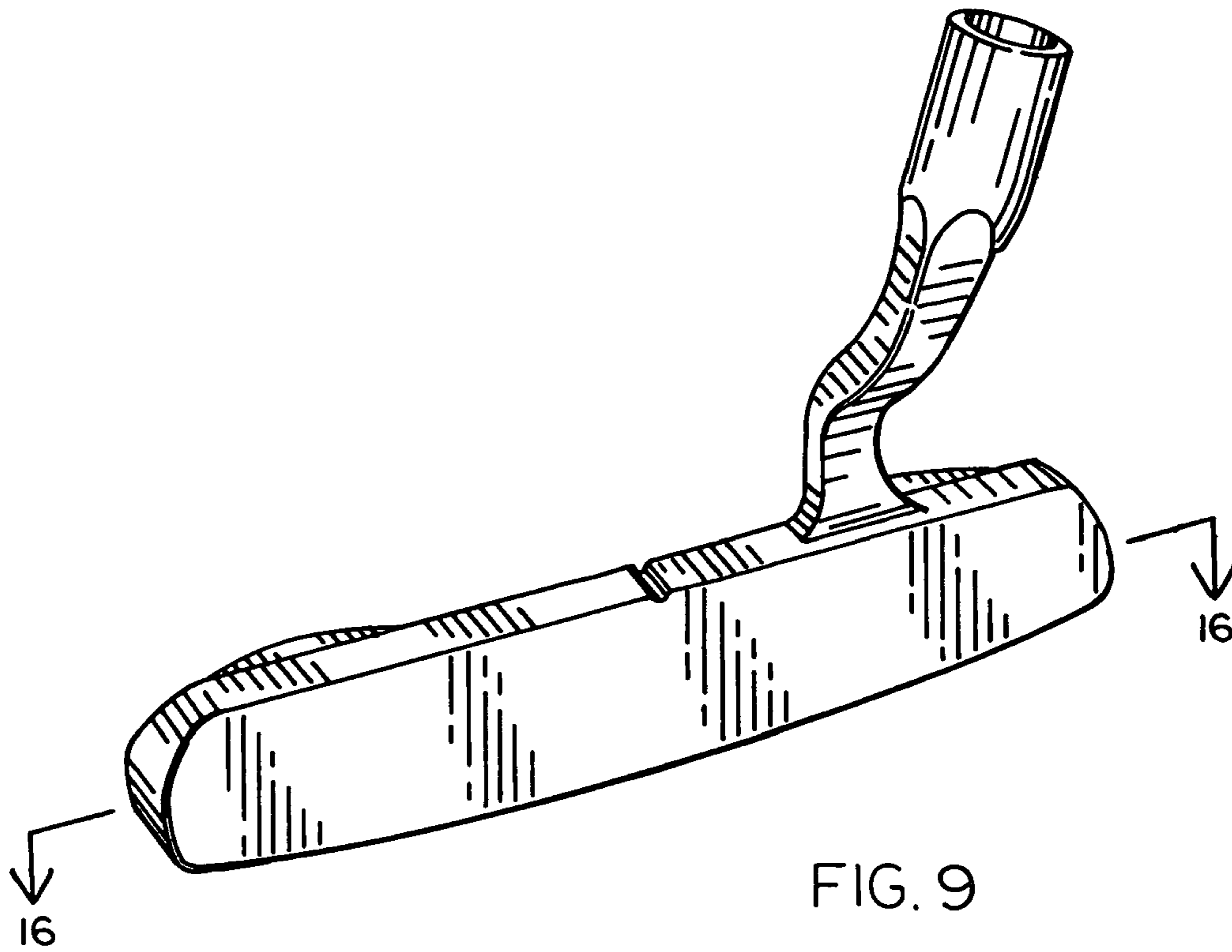


FIG. 8



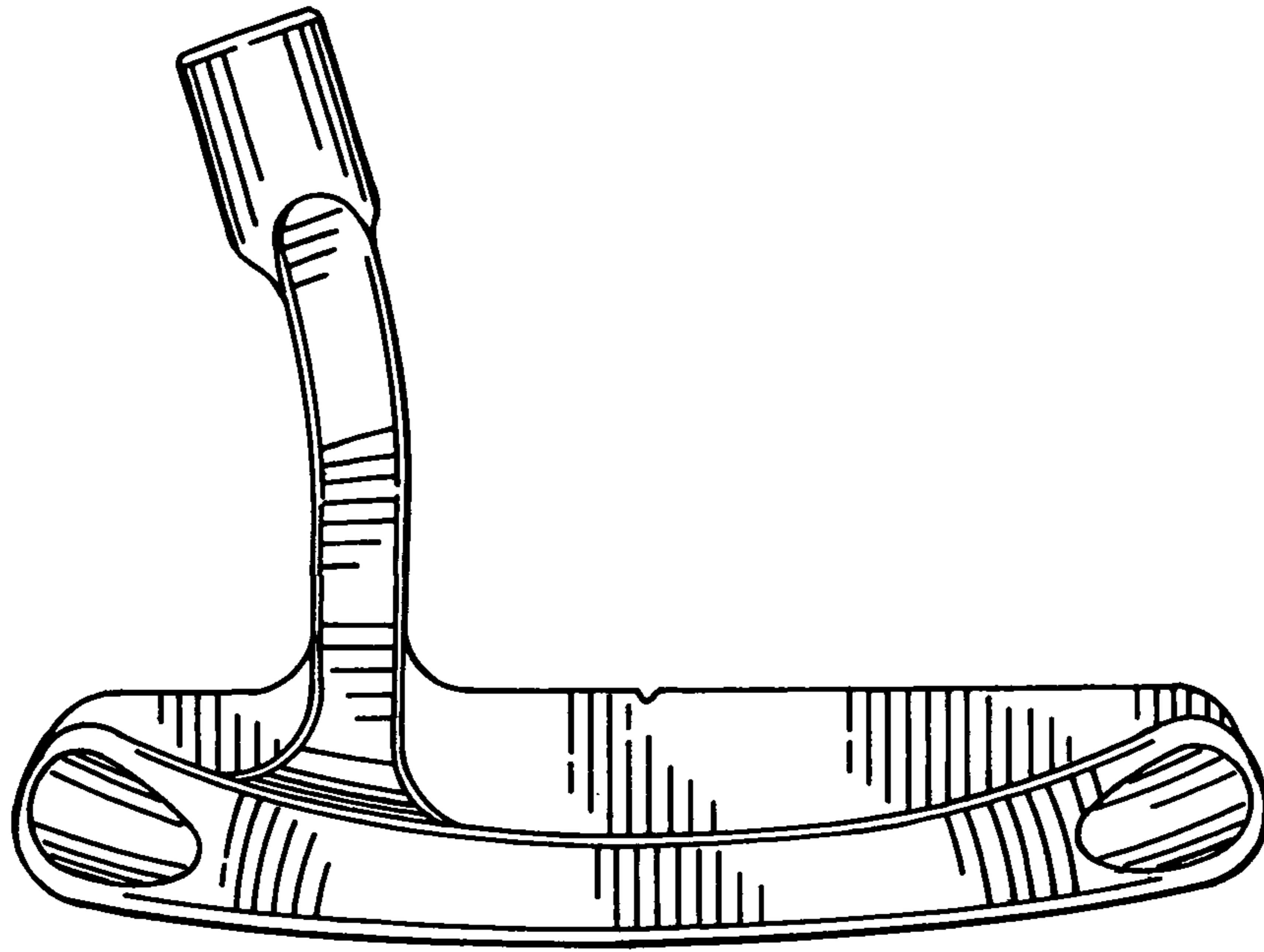


FIG. 11

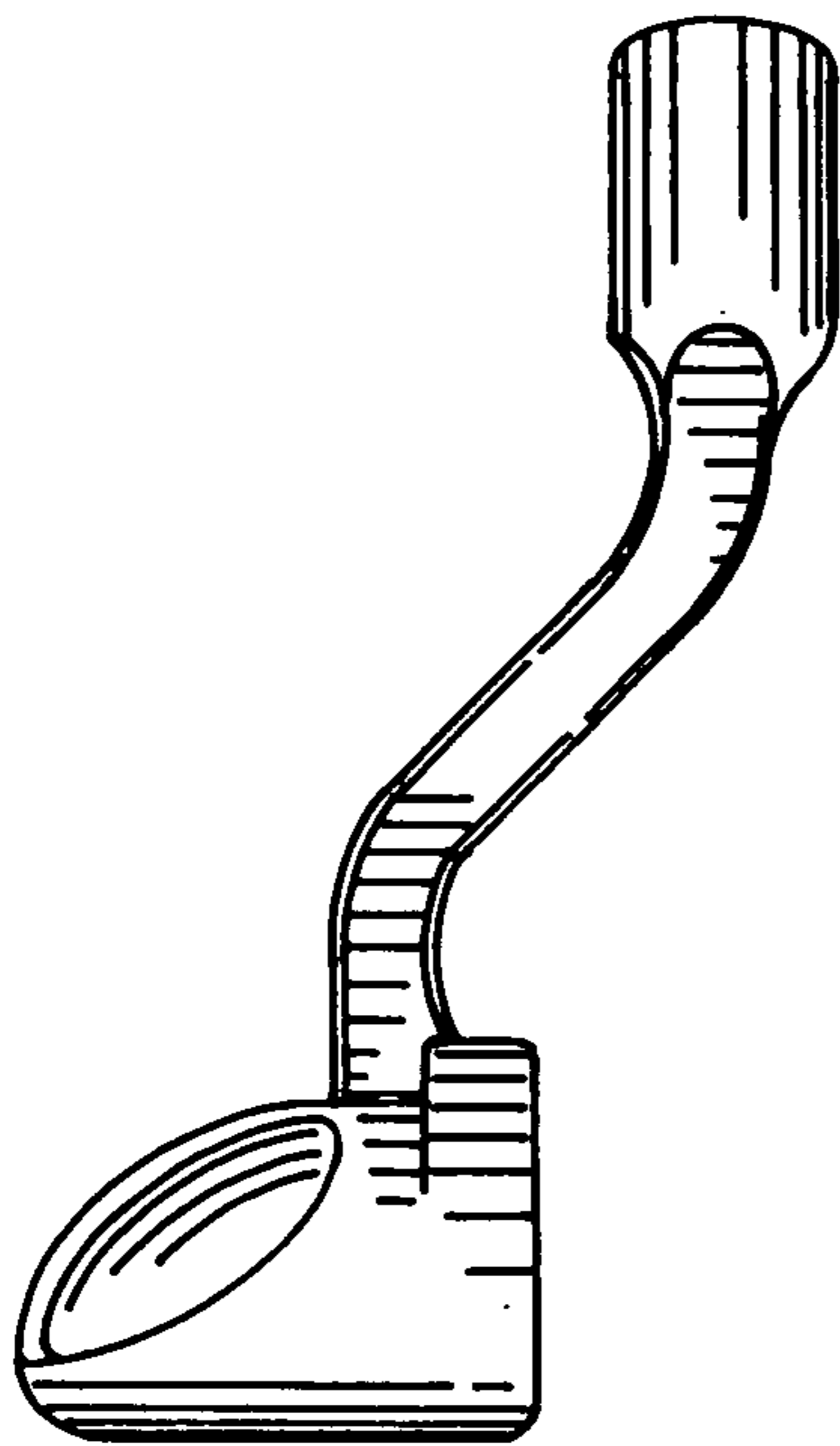


FIG. 12

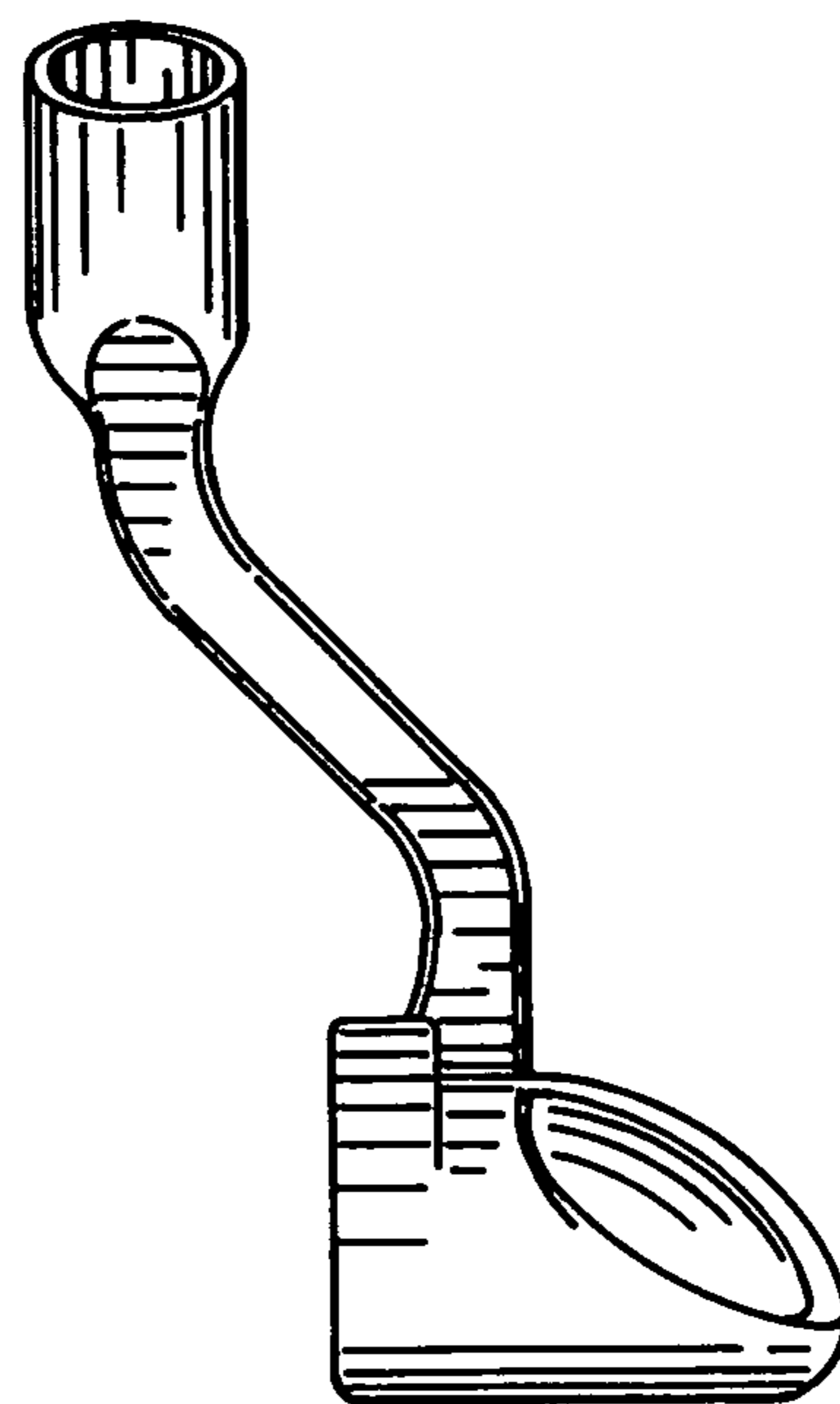


FIG. 13

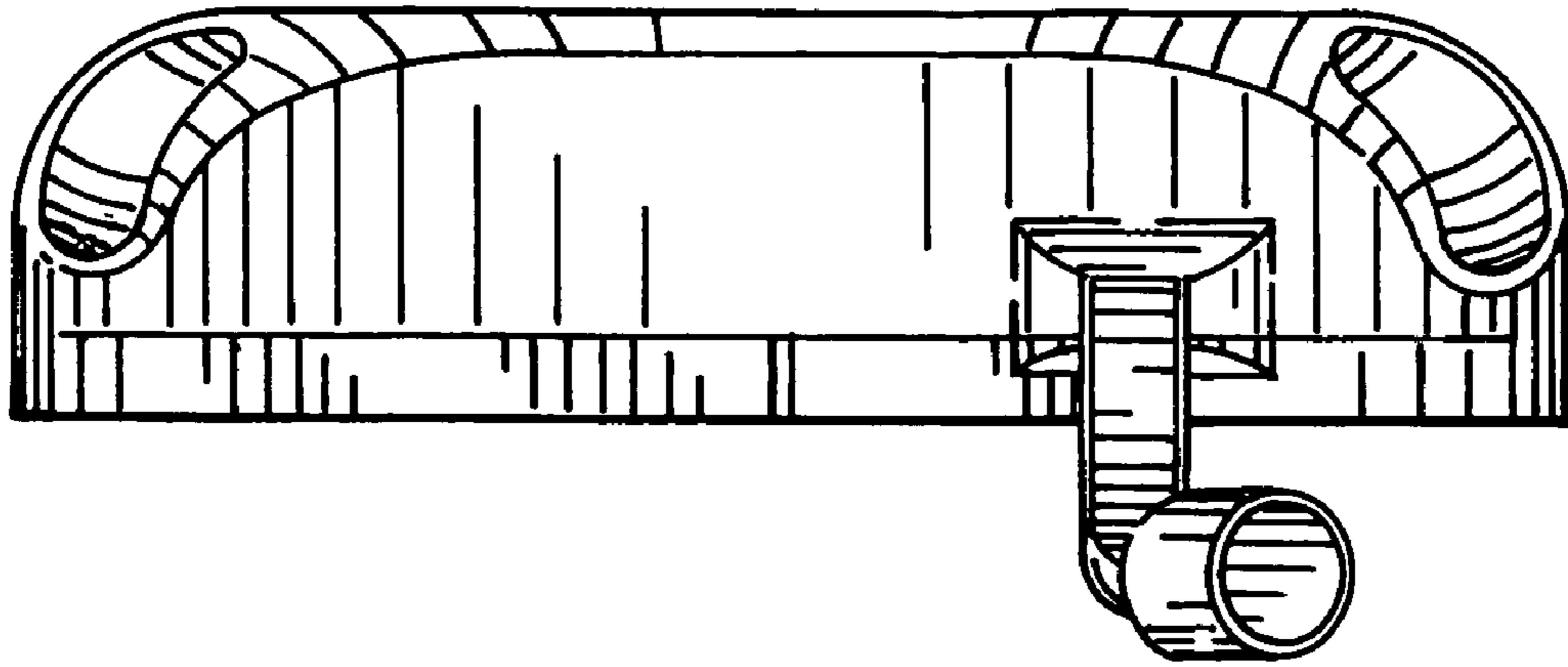


FIG. 14

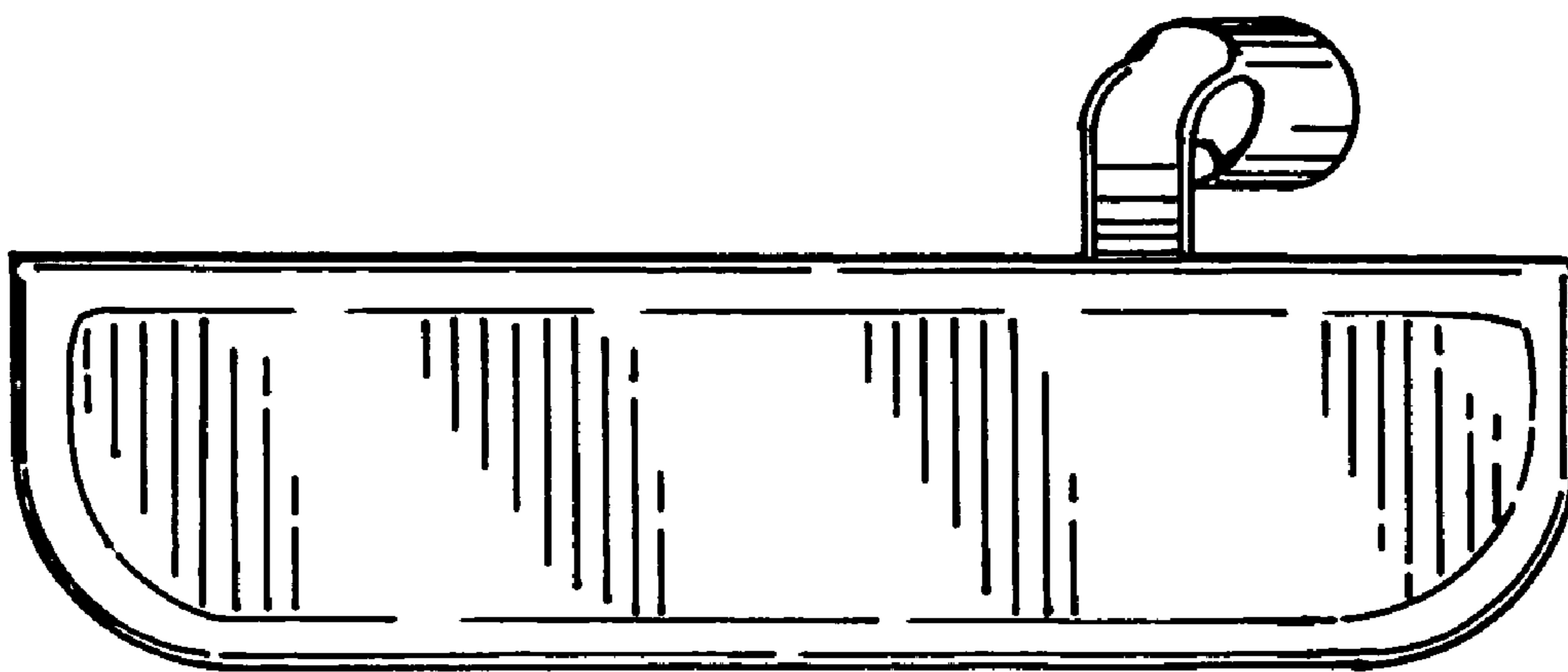


FIG. 15

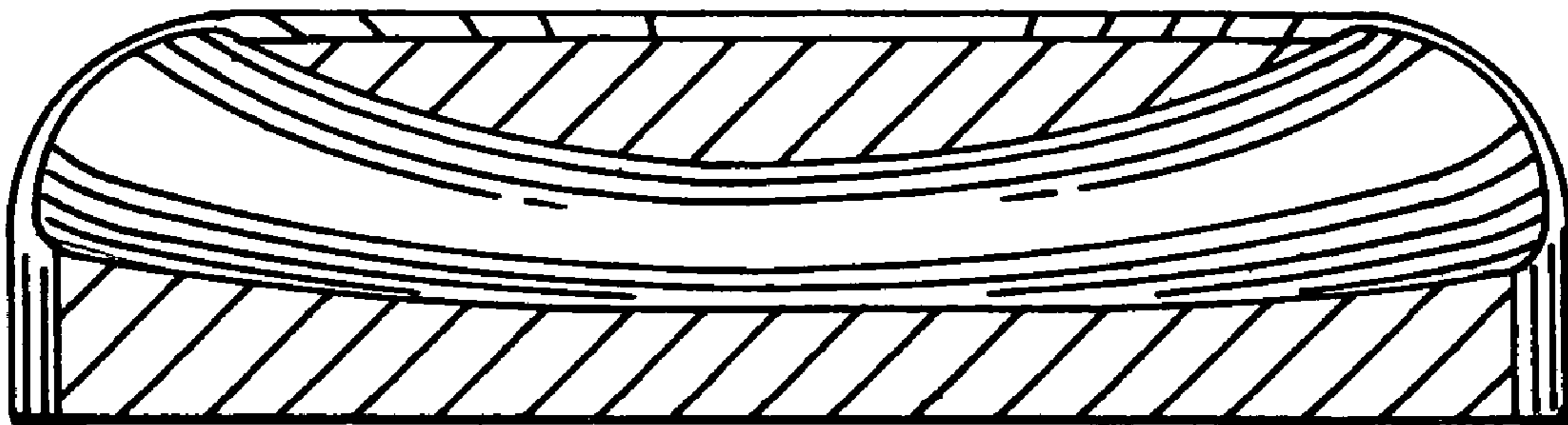


FIG. 16