



US00D667904S

(12) **United States Design Patent**  
**DeFrancisci**

(10) **Patent No.:** **US D667,904 S**

(45) **Date of Patent:** **\*\* Sep. 25, 2012**

(54) **EXERCISE BAR**

(76) **Inventor:** **Leonard J. DeFrancisci**, West  
Melbourne, FL (US)

(\*\*) **Term:** **14 Years**

(21) **Appl. No.:** **29/393,123**

(22) **Filed:** **May 31, 2011**

(51) **LOC (9) Cl.** ..... **21-02**

(52) **U.S. Cl.** ..... **D21/691**

(58) **Field of Classification Search** ..... D21/302,  
D21/662, 673, 675, 676, 686, 690, 691, 694,  
D21/699, 797, 800; D6/410, 411, 431, 449,  
D6/462, 465, 487, 491, 499; 482/1, 17, 38,  
482/39, 49, 56, 66, 92, 93, 94, 95, 103, 106,  
482/121, 124, 129, 141, 142; 211/41.1, 204,  
211/206, 207; 273/108, 343

See application file for complete search history.

(56) **References Cited**

**U.S. PATENT DOCUMENTS**

2,572,928	A *	10/1951	Hawes	182/182.2
2,932,510	A *	4/1960	Kravitz	482/38
3,117,760	A *	1/1964	Dresbach et al.	248/188.5
3,197,035	A *	7/1965	Wolf	211/204
3,323,767	A *	6/1967	Nissen et al.	248/165
3,366,381	A *	1/1968	Ross	482/17
4,126,307	A *	11/1978	Stevenson	482/39
4,164,288	A *	8/1979	Okazaki	211/207
4,227,688	A *	10/1980	Senoh et al.	482/38
4,360,198	A *	11/1982	Waulters	482/106
D288,755	S *	3/1987	Schoenig	D6/462
D301,361	S *	5/1989	Harlan	D21/691
D346,081	S *	4/1994	Turner	D6/465
D364,978	S *	12/1995	Smith	D6/431
D371,586	S *	7/1996	Snyder	D21/691
5,536,222	A *	7/1996	Banda et al.	482/38
5,582,565	A *	12/1996	Soria	482/141
D381,715	S *	7/1997	Reeder	D21/691

5,688,210	A *	11/1997	Chou	482/56
D410,050	S *	5/1999	Matte	D21/691
5,967,093	A *	10/1999	Vitt et al.	119/705
5,989,158	A *	11/1999	Fredette	482/38
6,063,005	A *	5/2000	Schwartz	482/16
6,398,215	B1 *	6/2002	Carroll	273/108
D462,538	S *	9/2002	Bonsall et al.	D6/411
6,523,707	B2 *	2/2003	Liu	211/206
D487,124	S *	2/2004	Toniolo	D21/691
D495,524	S *	9/2004	Harwanko	D6/410
7,198,273	B1 *	4/2007	Advocate	273/343
7,229,392	B2 *	6/2007	Turnbull et al.	482/129
8,075,425	B2 *	12/2011	Conwright	473/447
2003/0098545	A1 *	5/2003	Webb	273/343
2006/0100075	A1 *	5/2006	Harsh	482/142
2009/0023566	A1 *	1/2009	Florczak	482/142
2010/0190612	A1 *	7/2010	Cook	482/38

\* cited by examiner

*Primary Examiner* — Susan E Krakower

(74) *Attorney, Agent, or Firm* — Allen, Dyer, Doppelt,  
Milbrath & Gilchrist, P.A.

(57) **CLAIM**

The ornamental design for an exercise bar, as shown and described.

**DESCRIPTION**

FIG. 1 is a front, right, top perspective view;  
FIG. 2 is a rear, left, bottom perspective view;  
FIG. 3 is a front view;  
FIG. 4 is a rear view;  
FIG. 5 is a right side view;  
FIG. 6 is a left side view;  
FIG. 7 is a top view;  
FIG. 8 is a bottom view;  
FIG. 9 is a front, right, top perspective view in a disassembled state; and,  
FIG. 10 is a rear, left, bottom perspective view in a disassembled state.

**1 Claim, 9 Drawing Sheets**

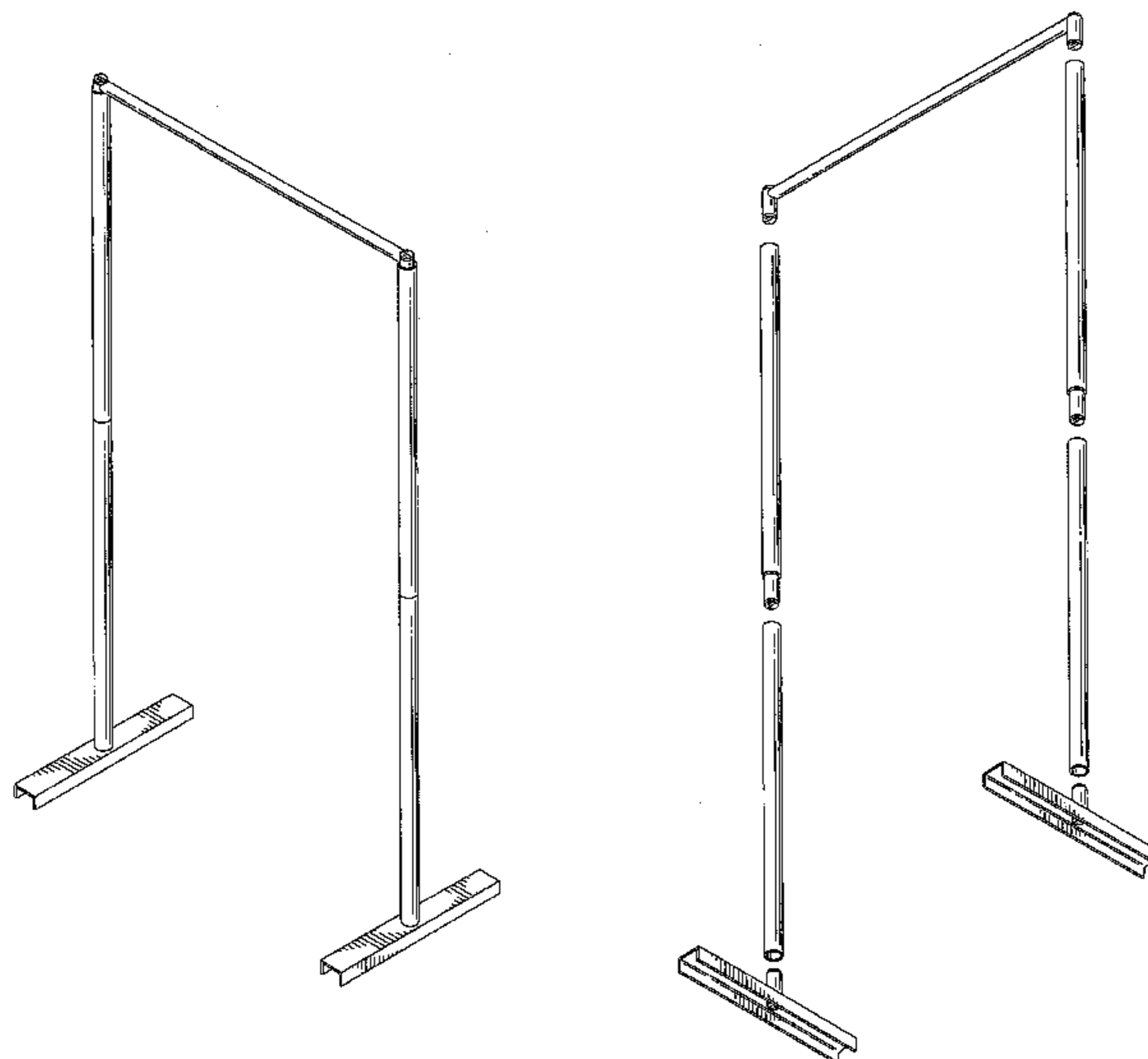
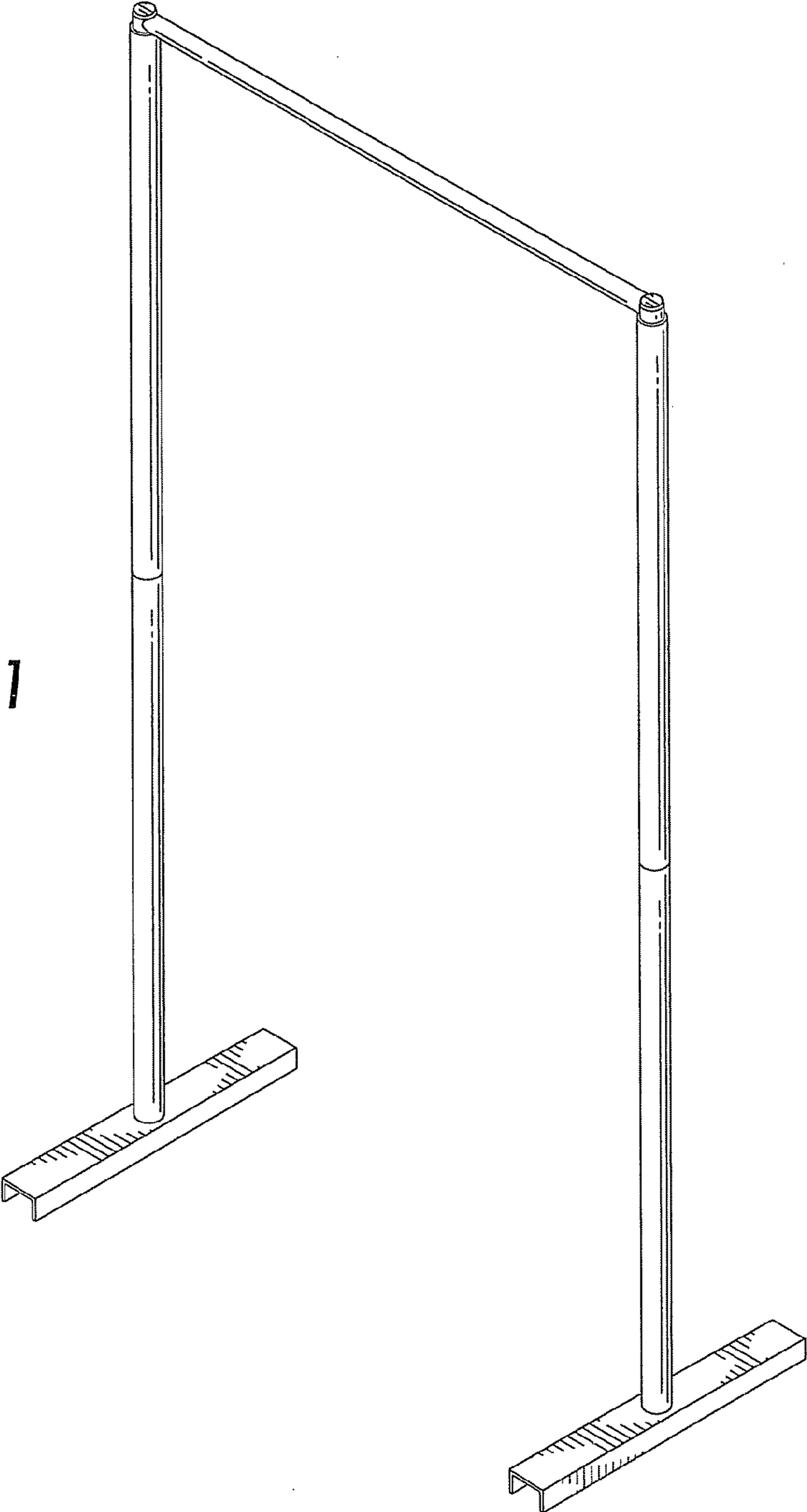


FIG. 1



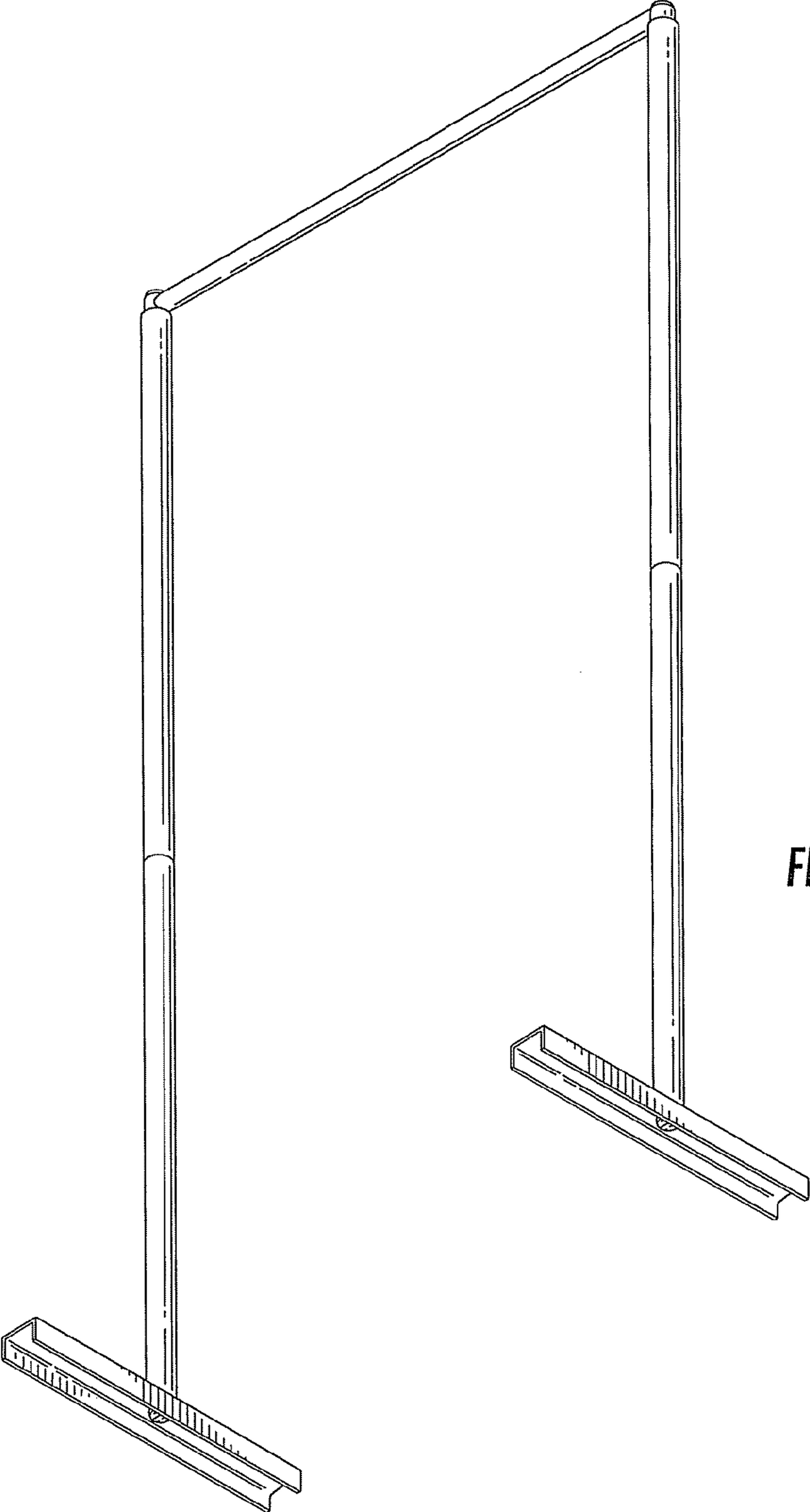
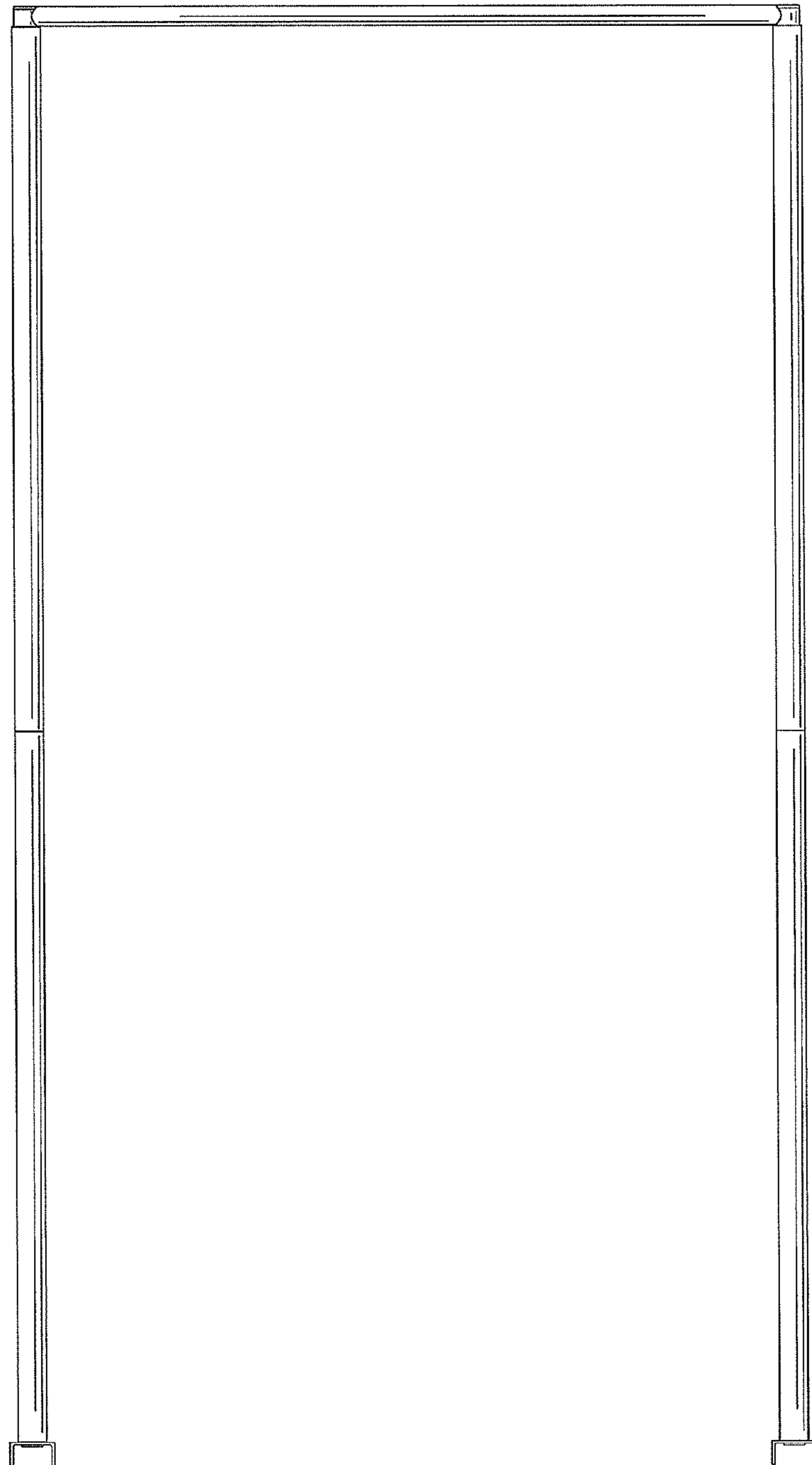
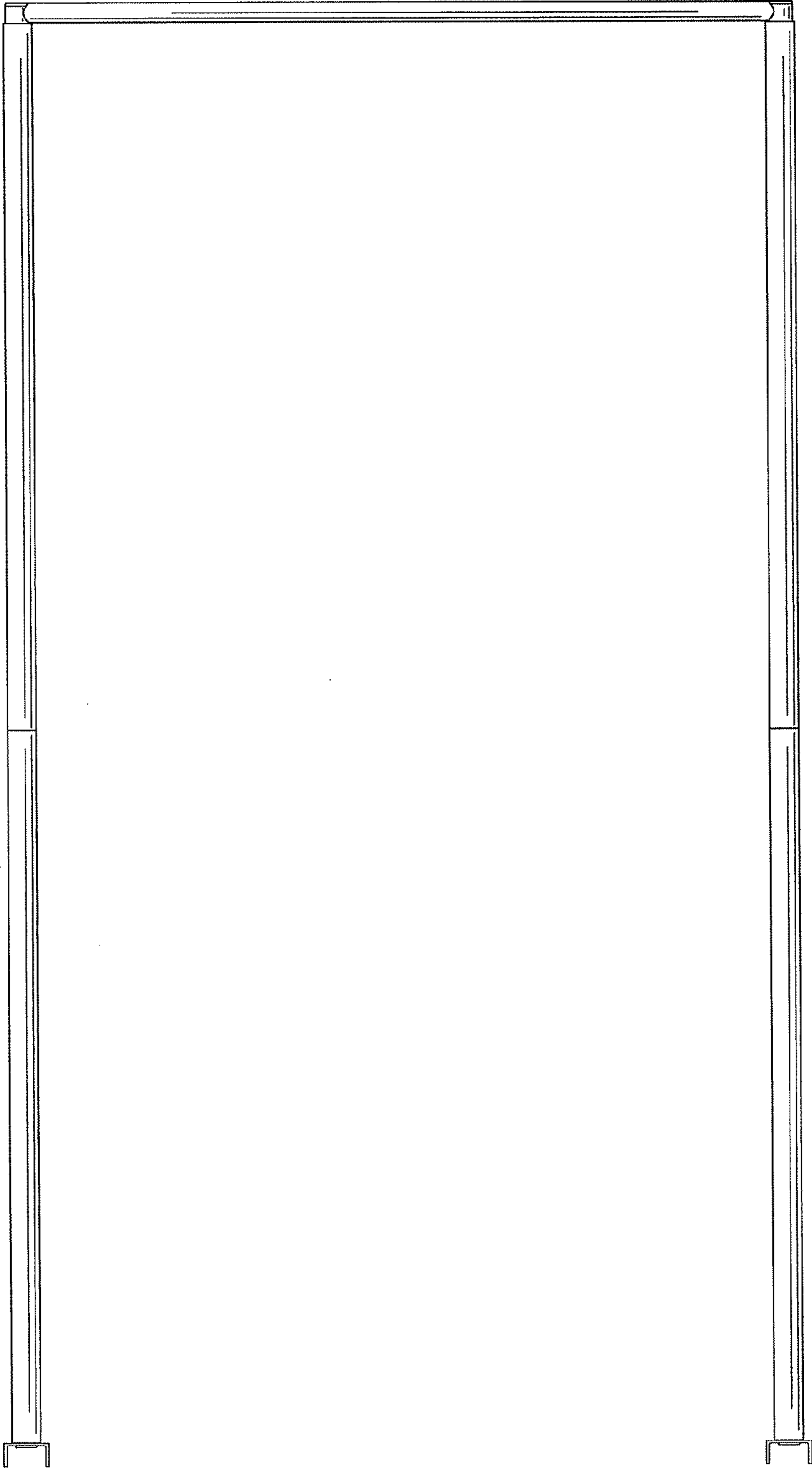


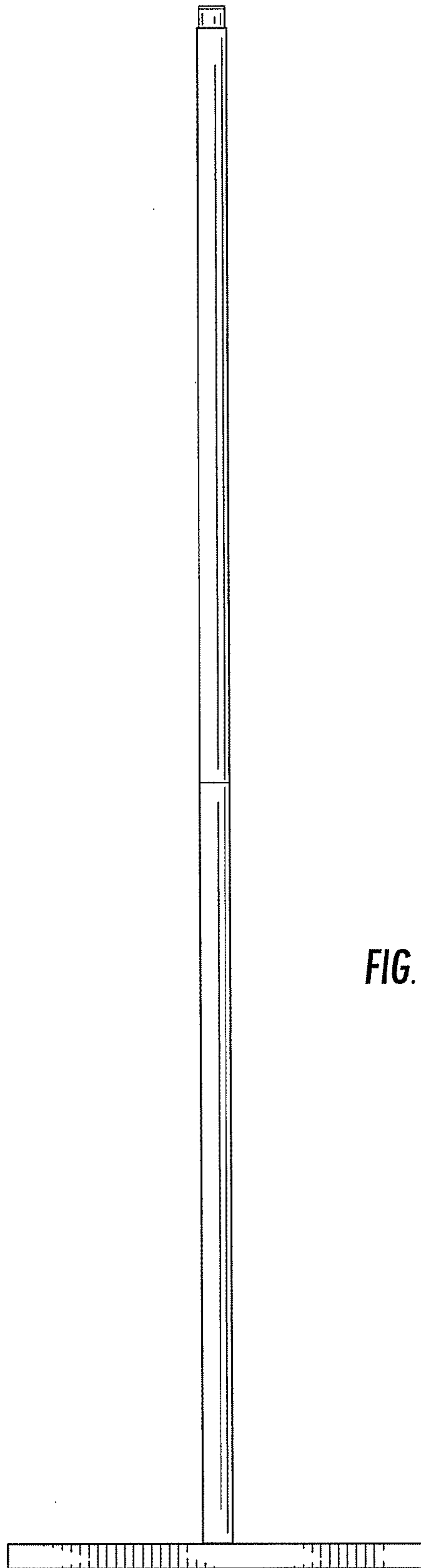
FIG. 2



**FIG. 3**



**FIG. 4**



*FIG. 5*

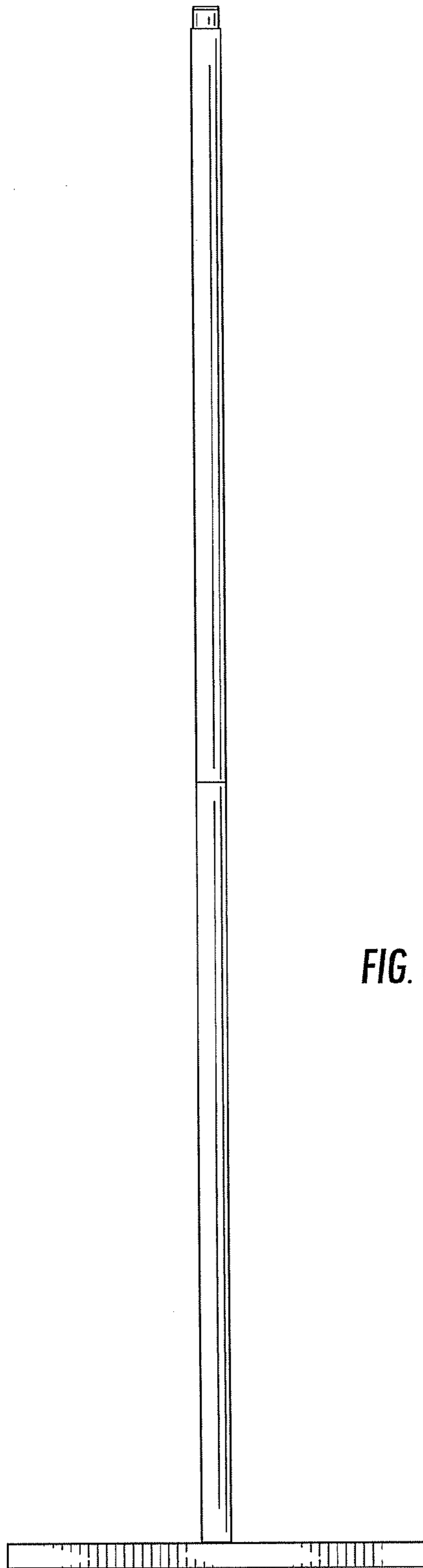


FIG. 6

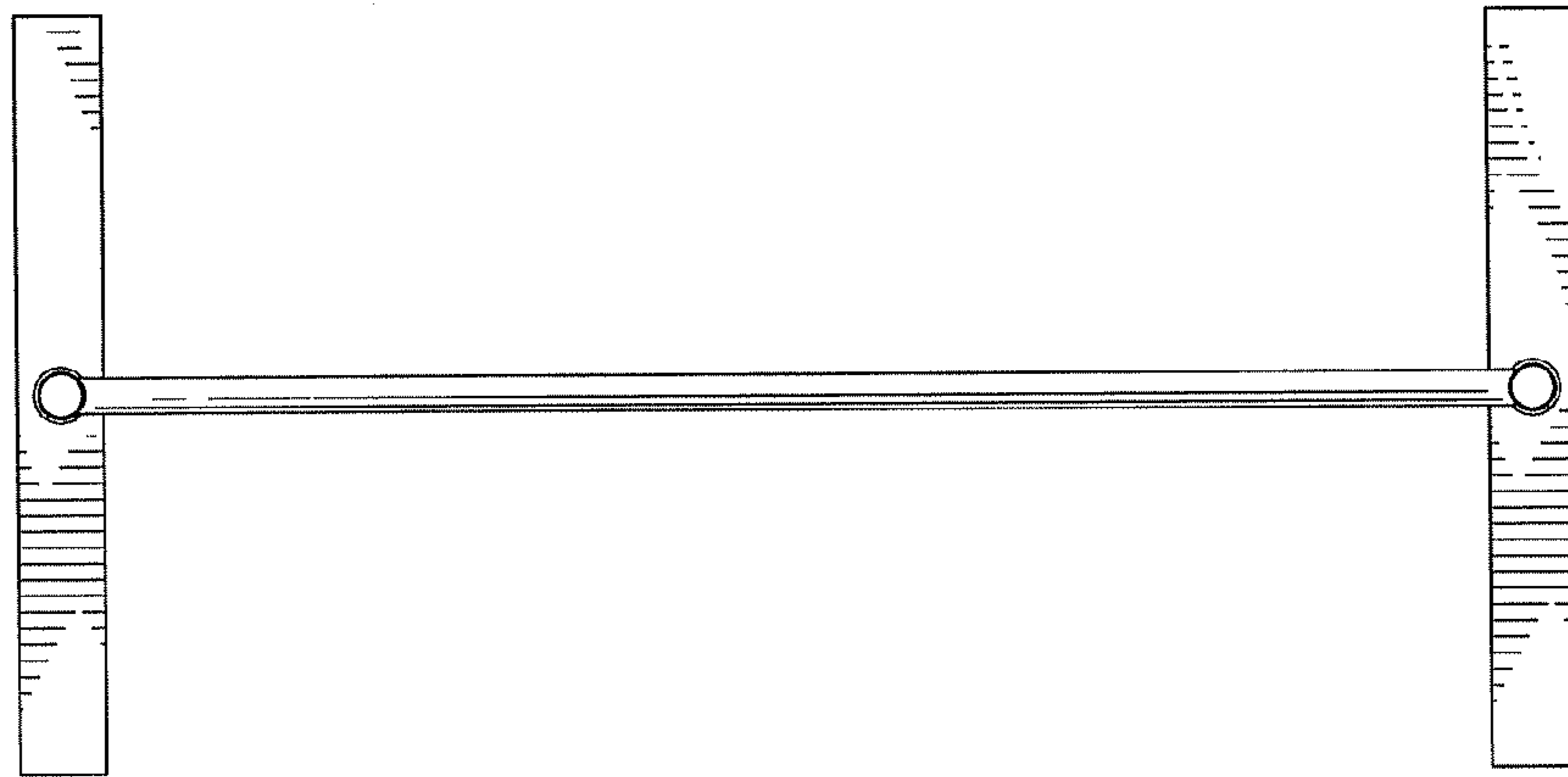


FIG. 7

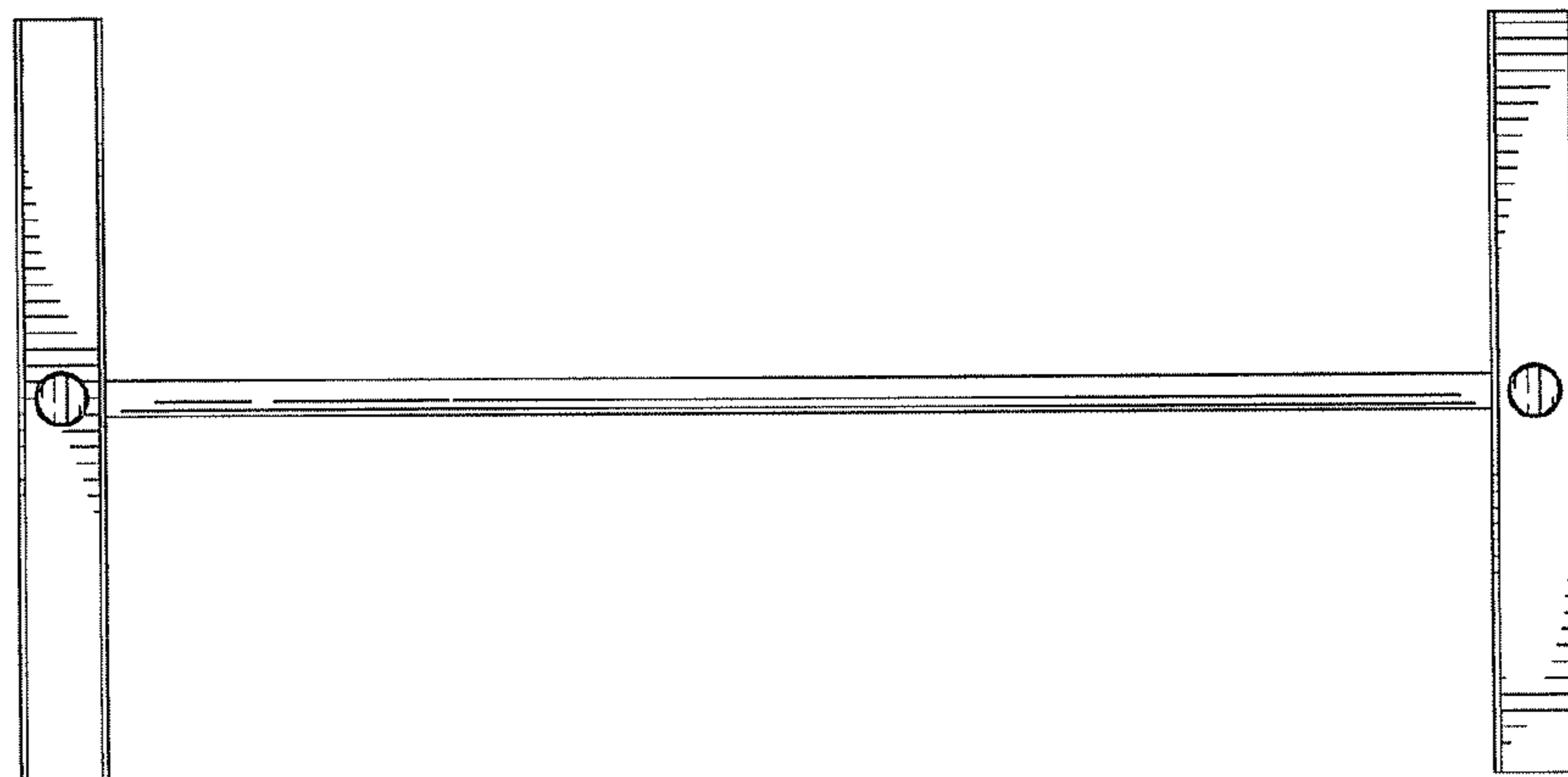


FIG. 8



FIG. 9

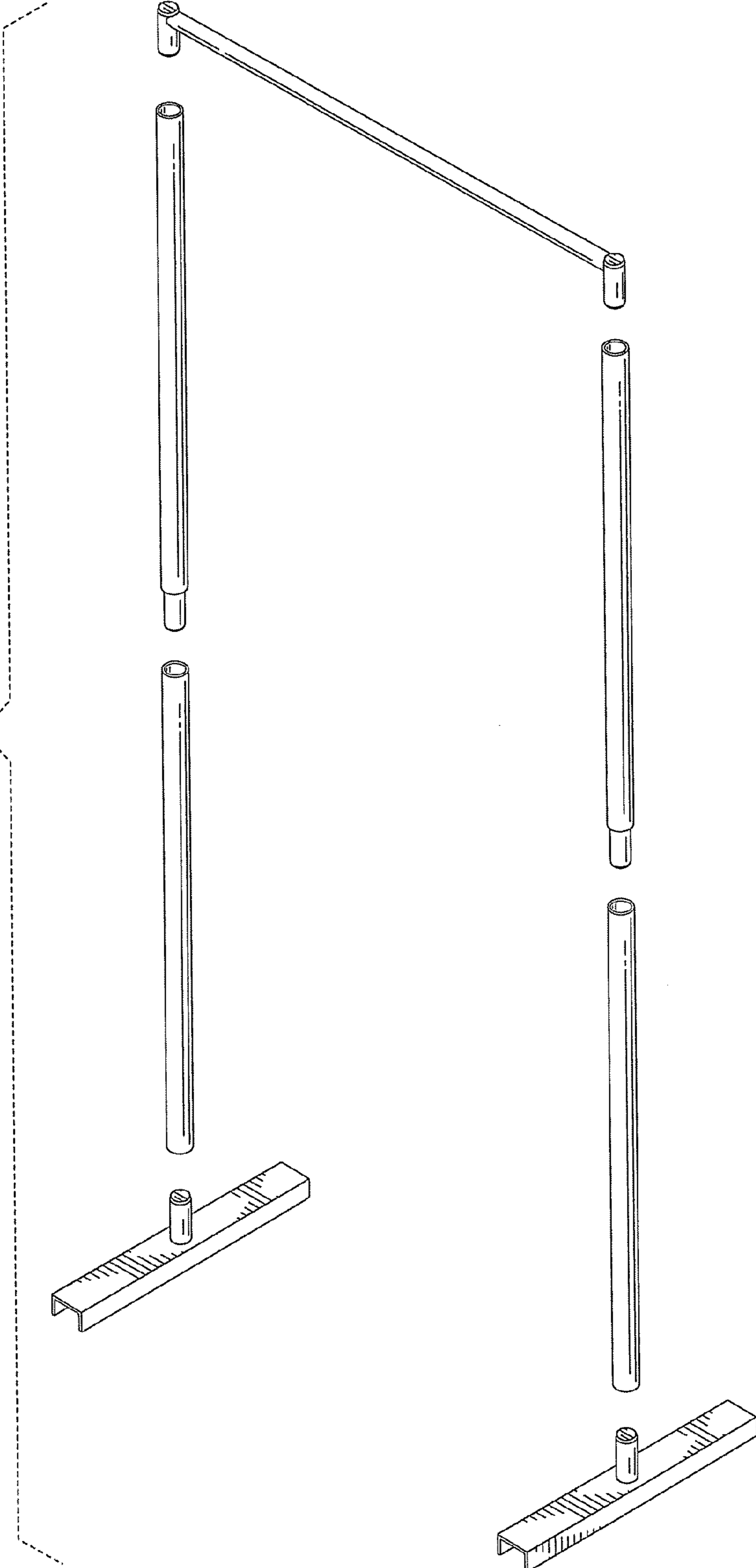


FIG. 10

