

US00D667903S

(12) **United States Design Patent**
Chiu

(10) **Patent No.:** **US D667,903 S**

(45) **Date of Patent:** **** Sep. 25, 2012**

(54) **AIR CUSHION PROTECTION STRUCTURE**

(75) Inventor: **Ciber Chiu**, Changhua (TW)

(73) Assignee: **Famosa Corp.**, Changhua (TW)

(**) Term: **14 Years**

(21) Appl. No.: **29/405,863**

(22) Filed: **Nov. 7, 2011**

(51) **LOC (9) Cl.** **21-02**

(52) **U.S. Cl.** **D21/686; D21/662**

(58) **Field of Classification Search** D21/662,
D21/670-671, 685-686, 688-689, 692, 694;
482/34, 121-123, 129-130, 140, 142, 146-148;
D6/352, 366

See application file for complete search history.

(56) **References Cited**

U.S. PATENT DOCUMENTS

2,991,589	A *	7/1961	Ayala	446/192
4,779,297	A *	10/1988	Sturges	5/630
D471,025	S *	3/2003	Chiu	D6/366
6,554,753	B1 *	4/2003	Weck et al.	482/147
D476,705	S *	7/2003	Dillard	D21/662
6,702,726	B2 *	3/2004	Lin	482/148
6,719,676	B1 *	4/2004	Hsu	482/121
6,740,008	B1 *	5/2004	Ho et al.	482/34
D503,553	S *	4/2005	Chiu	D6/352
D507,608	S *	7/2005	Chen	D21/662
6,945,919	B2 *	9/2005	Yang	482/142
D546,907	S *	7/2007	Dykgraaf et al.	D21/662
7,575,540	B1 *	8/2009	Dobrow et al.	482/142

D612,896	S *	3/2010	Talley	D21/686
7,674,216	B1 *	3/2010	Bolling	482/142
D642,638	S *	8/2011	Clark et al.	D21/686
8,105,220	B2 *	1/2012	Schultheisz	482/146
2004/0220030	A1 *	11/2004	Chu	482/142
2005/0009677	A1 *	1/2005	Yang	482/142
2006/0135331	A1 *	6/2006	Chin	482/140

* cited by examiner

Primary Examiner — Susan E Krakower

(74) *Attorney, Agent, or Firm* — Che-Yang Chen; Law Office of Michael Chen

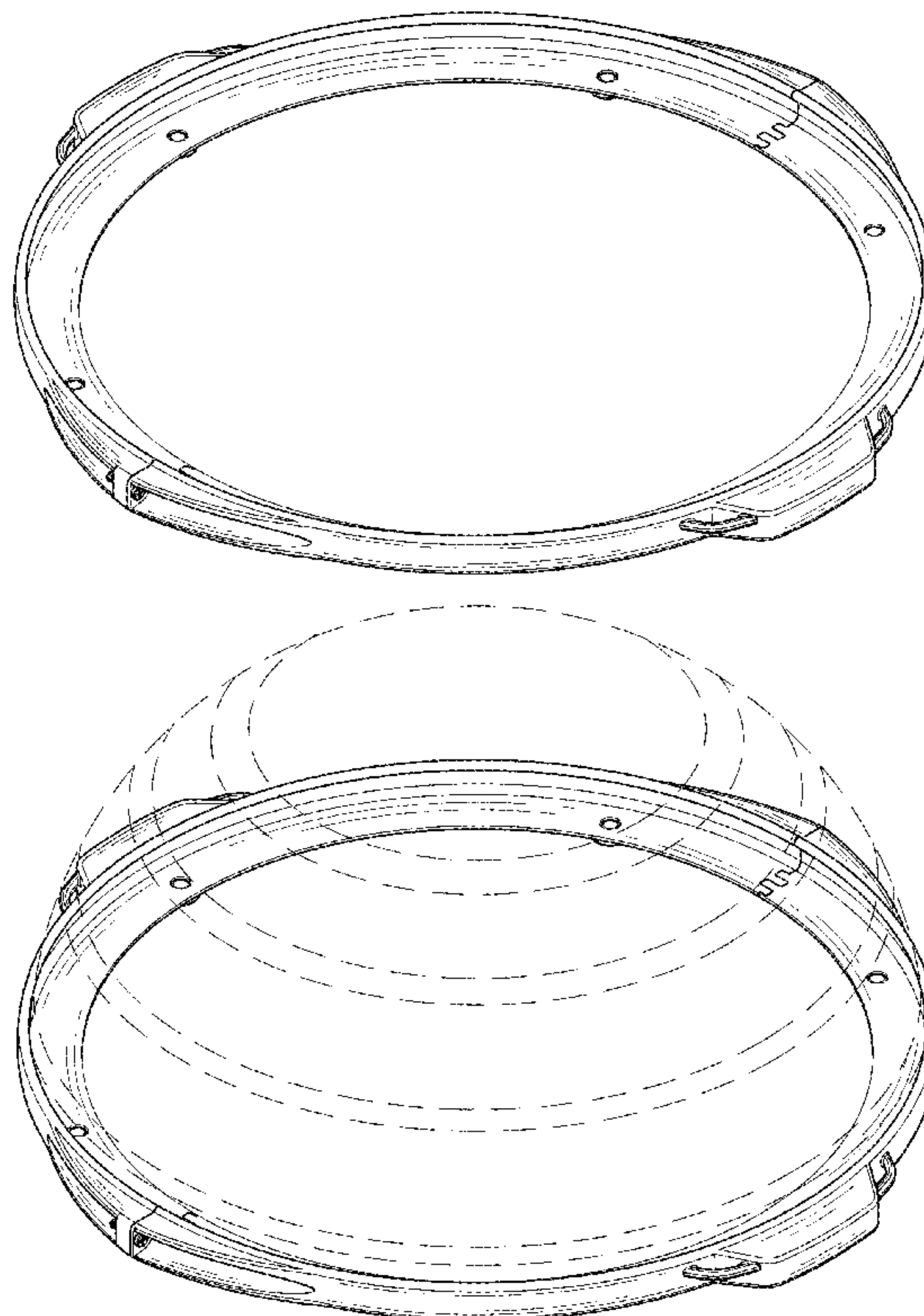
(57) **CLAIM**

The ornamental design for an air cushion protection structure, as shown and described.

DESCRIPTION

FIG. 1 is a perspective view of an air cushion protection structure showing my new design;
 FIG. 2 is a front view of the embodiment shown in FIG. 1;
 FIG. 3 is a rear view of the embodiment shown in FIG. 1;
 FIG. 4 is a left side view of the embodiment shown in FIG. 1;
 FIG. 5 is a right side view of the embodiment shown in FIG. 1;
 FIG. 6 is a top view of the embodiment shown in FIG. 1;
 FIG. 7 is a bottom view of the embodiment shown in FIG. 1;
 and,
 FIG. 8 is a perspective schematic view illustrating an application of an air cushion protection structure showing my design.
 The broken lines in FIG. 8, illustrates environmental structure which form no part of the claimed design.

1 Claim, 6 Drawing Sheets



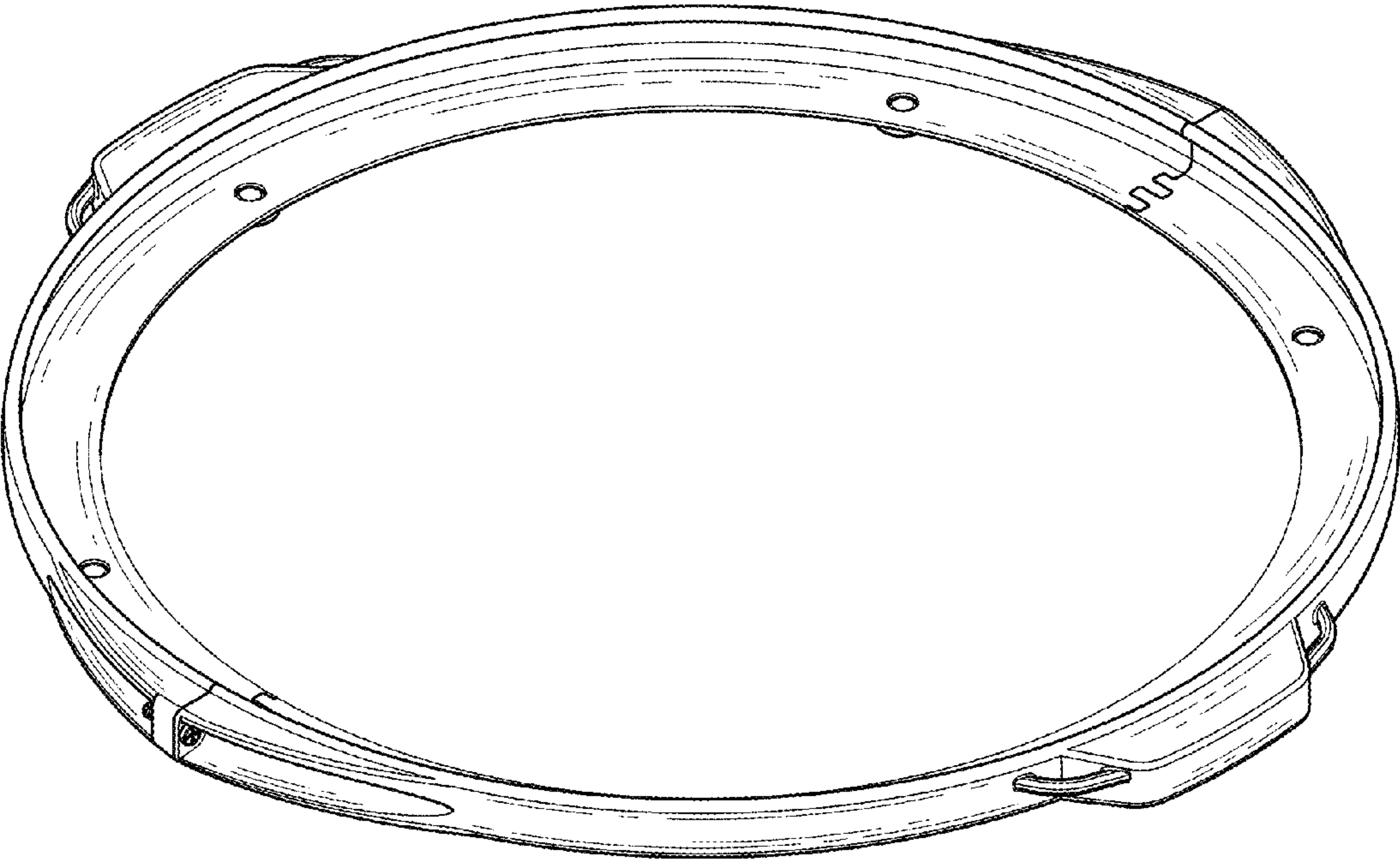


FIG. 1

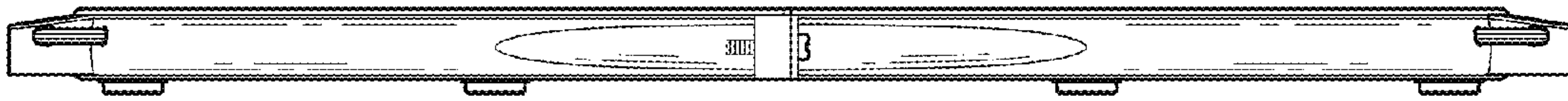


FIG. 2

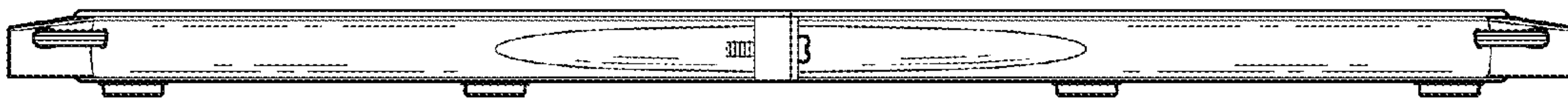


FIG. 3

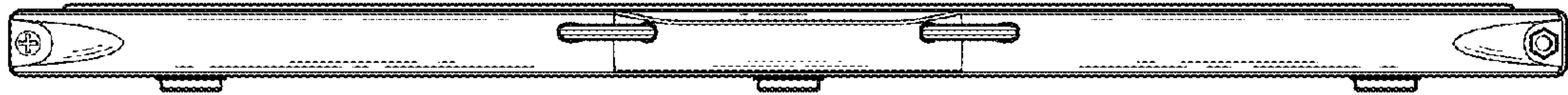


FIG. 4



FIG. 5

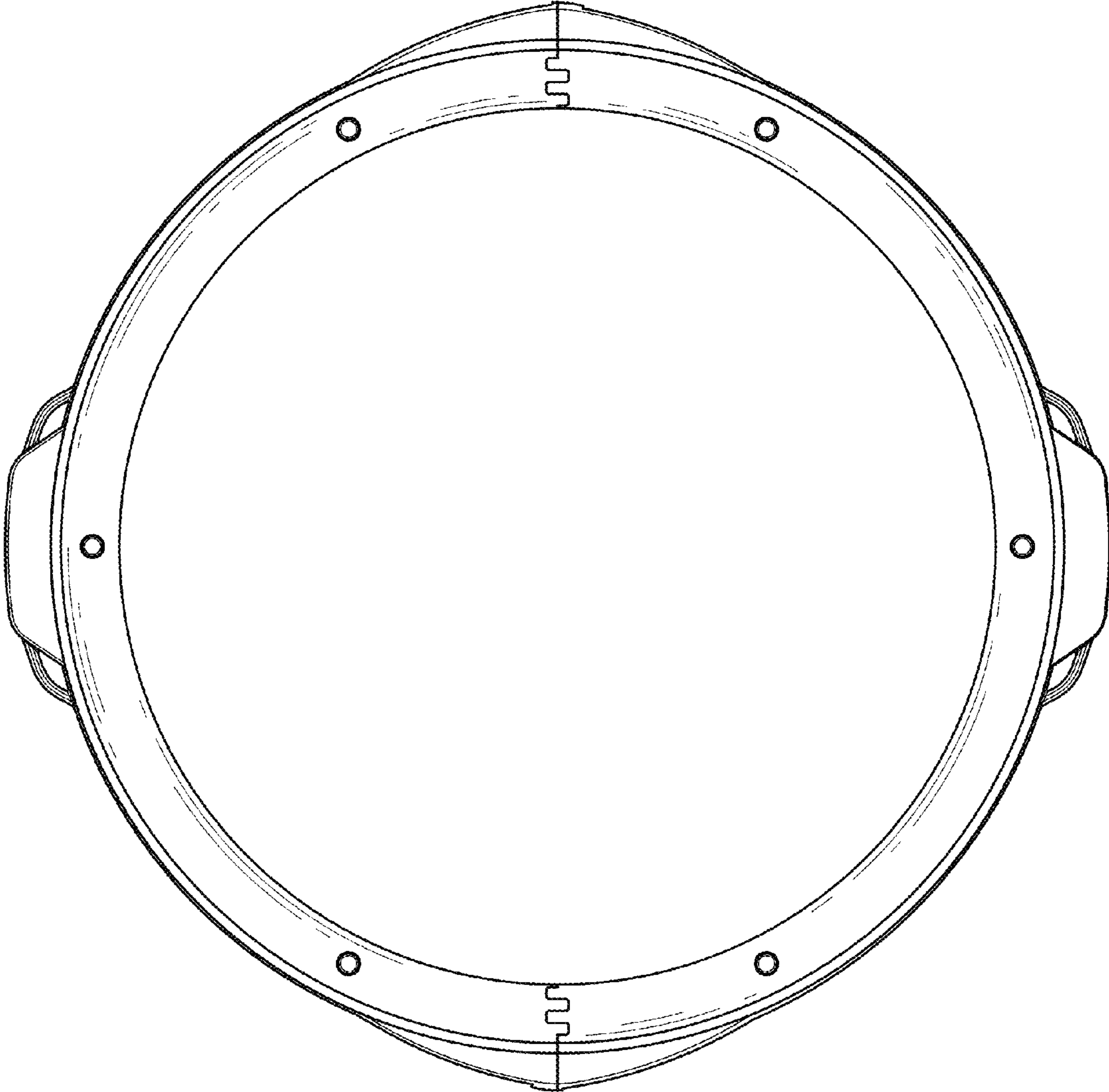


FIG. 6

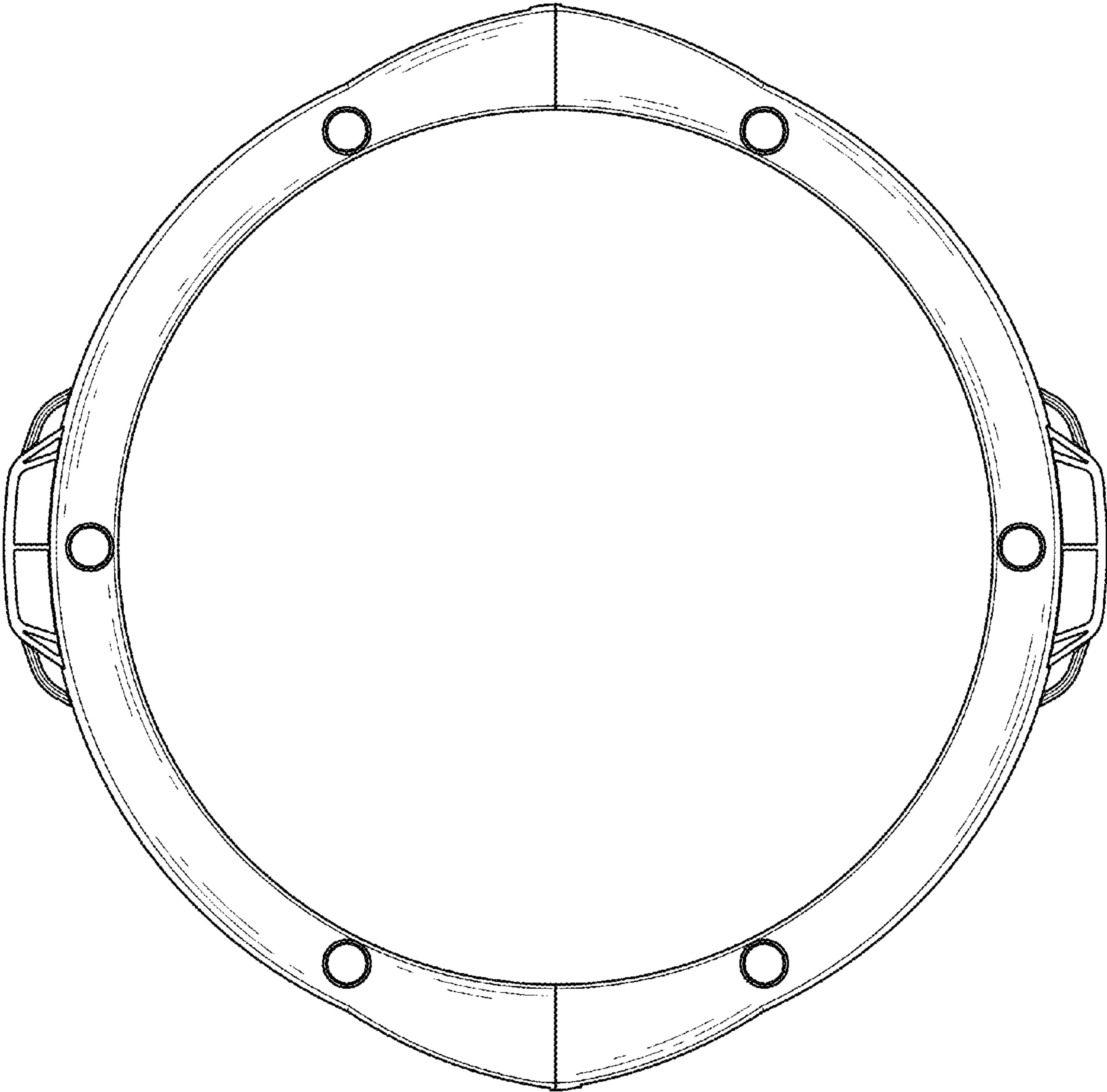


FIG. 7

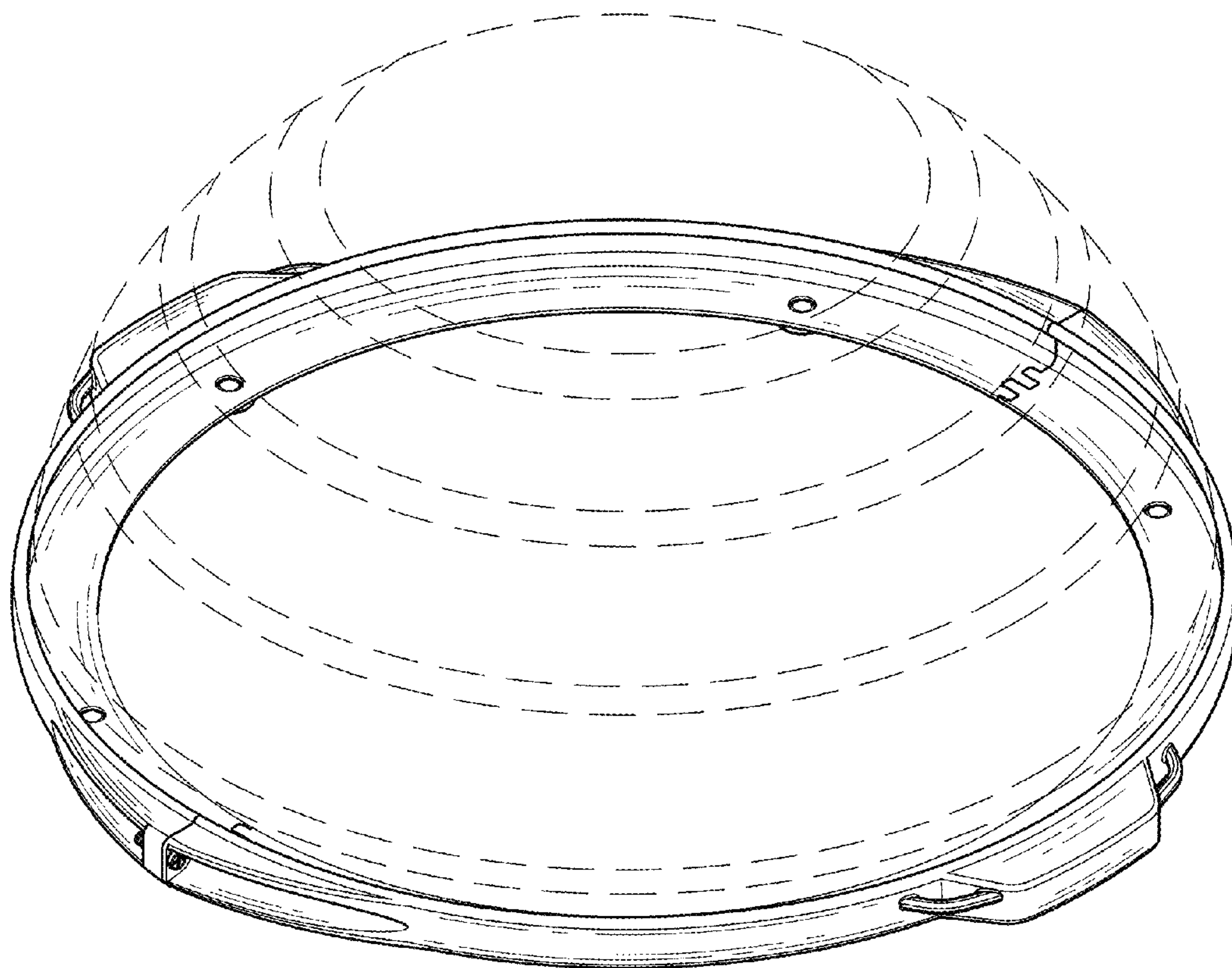


FIG. 8