



US00D667901S

(12) **United States Design Patent**
Garcia Chavez

(10) **Patent No.:** **US D667,901 S**

(45) **Date of Patent:** **** Sep. 25, 2012**

(54) **DOOR FRAME APPARATUS FOR EXERCISE**

Primary Examiner — Susan E Krakower

(76) **Inventor:** **Sergio Garcia Chavez**, Miami, FL (US)

(74) *Attorney, Agent, or Firm* — Albert Bordas, P.A.

(**) **Term:** **14 Years**

(57) **CLAIM**

(21) **Appl. No.:** **29/407,157**

The ornamental design for a door frame apparatus for exercise, as shown and described.

(22) **Filed:** **Nov. 23, 2011**

(51) **LOC (9) Cl.** **21-02**

(52) **U.S. Cl.** **D21/679; D21/692**

(58) **Field of Classification Search** D21/662,
D21/673, 677, 679, 691, 692, 694; 482/23,
482/35, 36, 39, 40, 41, 91, 121, 123, 129,
482/130

See application file for complete search history.

DESCRIPTION

(56) **References Cited**

U.S. PATENT DOCUMENTS

3,915,452	A *	10/1975	Winblad	482/40
D319,273	S *	8/1991	Fox	D21/692
5,431,617	A *	7/1995	Rattray, Jr.	482/129
5,456,649	A *	10/1995	Horkey	482/39
6,267,711	B1 *	7/2001	Hinds	482/121
6,508,743	B1 *	1/2003	Fortin	482/41
6,514,182	B1 *	2/2003	Chhloeum	482/130
7,621,847	B2 *	11/2009	Lamle et al.	482/40
D633,156	S *	2/2011	Caswell et al.	D21/679
D633,961	S *	3/2011	Loew et al.	D21/679
8,172,726	B1 *	5/2012	Leier	482/23
8,177,694	B1 *	5/2012	Walker	482/126
2005/0250619	A1 *	11/2005	Daikeler et al.	482/40

* cited by examiner

FIG. 1 is a top plan view of a claimed door frame apparatus for exercise;
FIG. 2 is a front elevational view thereof;
FIG. 3 is a bottom view thereof;
FIG. 4 is a rear elevational view thereof;
FIG. 5 is a right elevational view thereof, the left elevational view being a mirror image thereof;
FIG. 6 is an isometric view thereof, showing my design mounted to an unclaimed door frame; and,
FIG. 7 is an isometric view thereof, shown in an alternate position mounted to an unclaimed door frame.

The broken lines illustrate portions of the apparatus and environmental structure, which form no part of the claimed design.

The two vertical cords are shown broken away to indicate they have no specific length.

The claimed door frame apparatus for exercise is used to engage onto a door frame to practice multiple/different exercises in a reduced space.

1 Claim, 4 Drawing Sheets

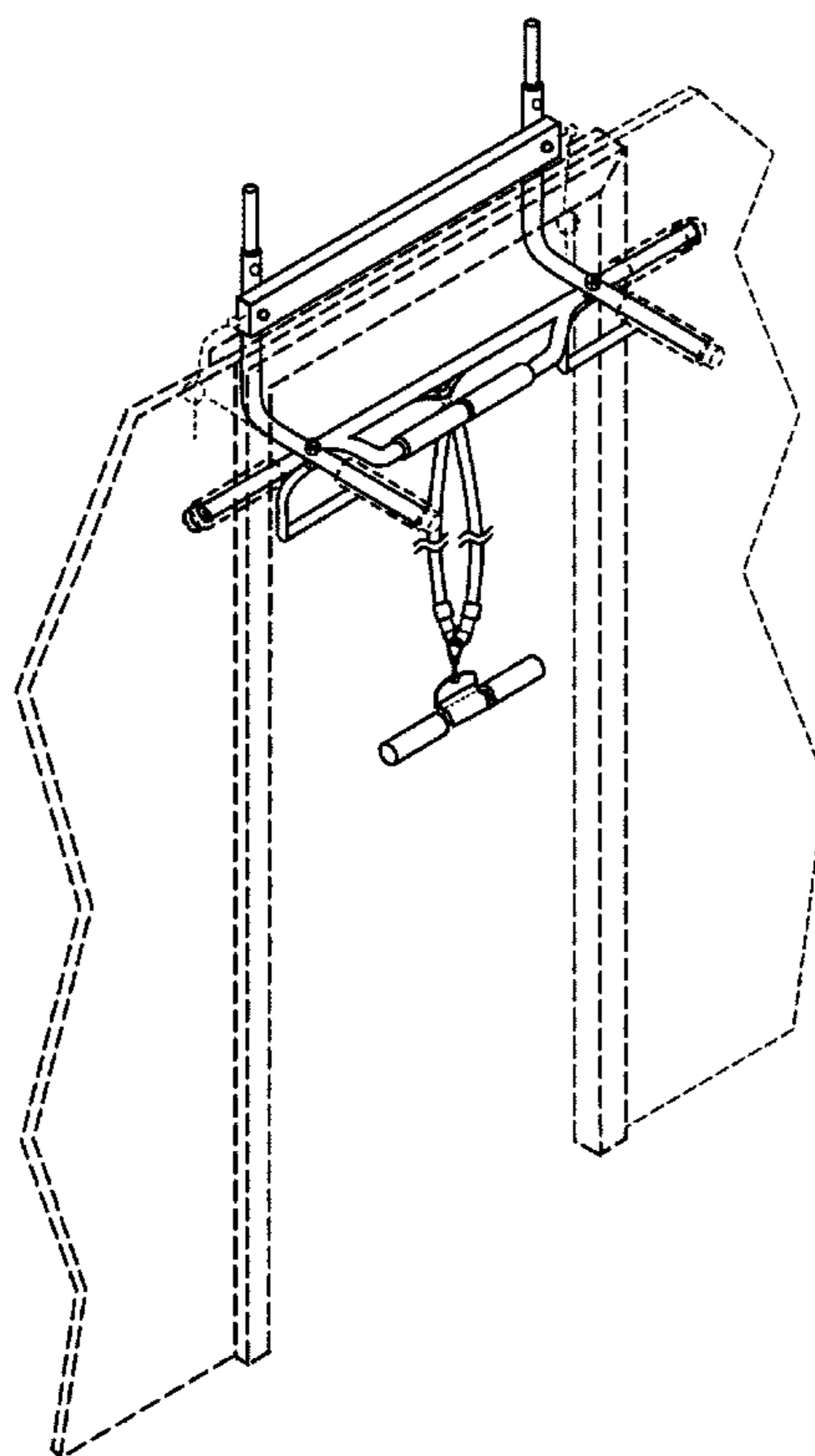


Fig. 1

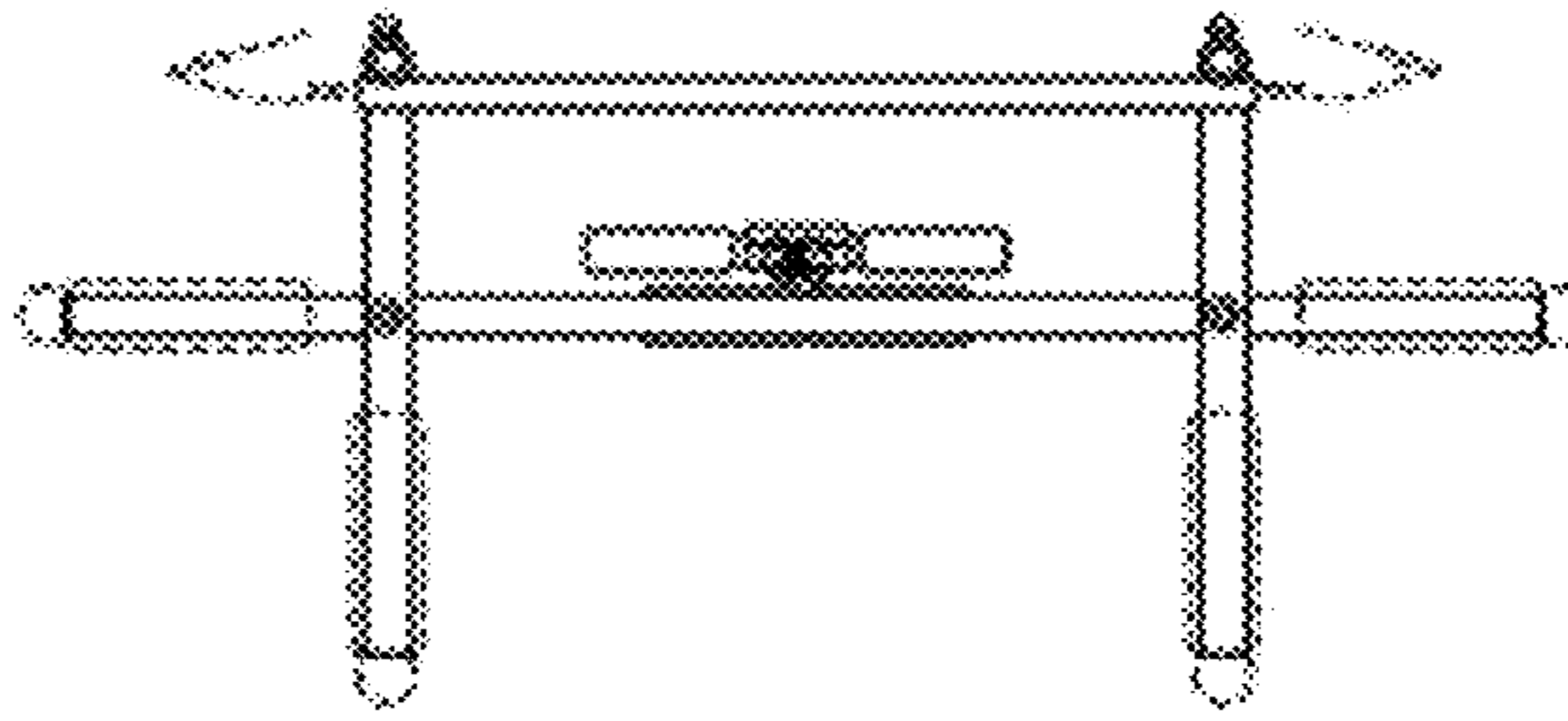


Fig. 2

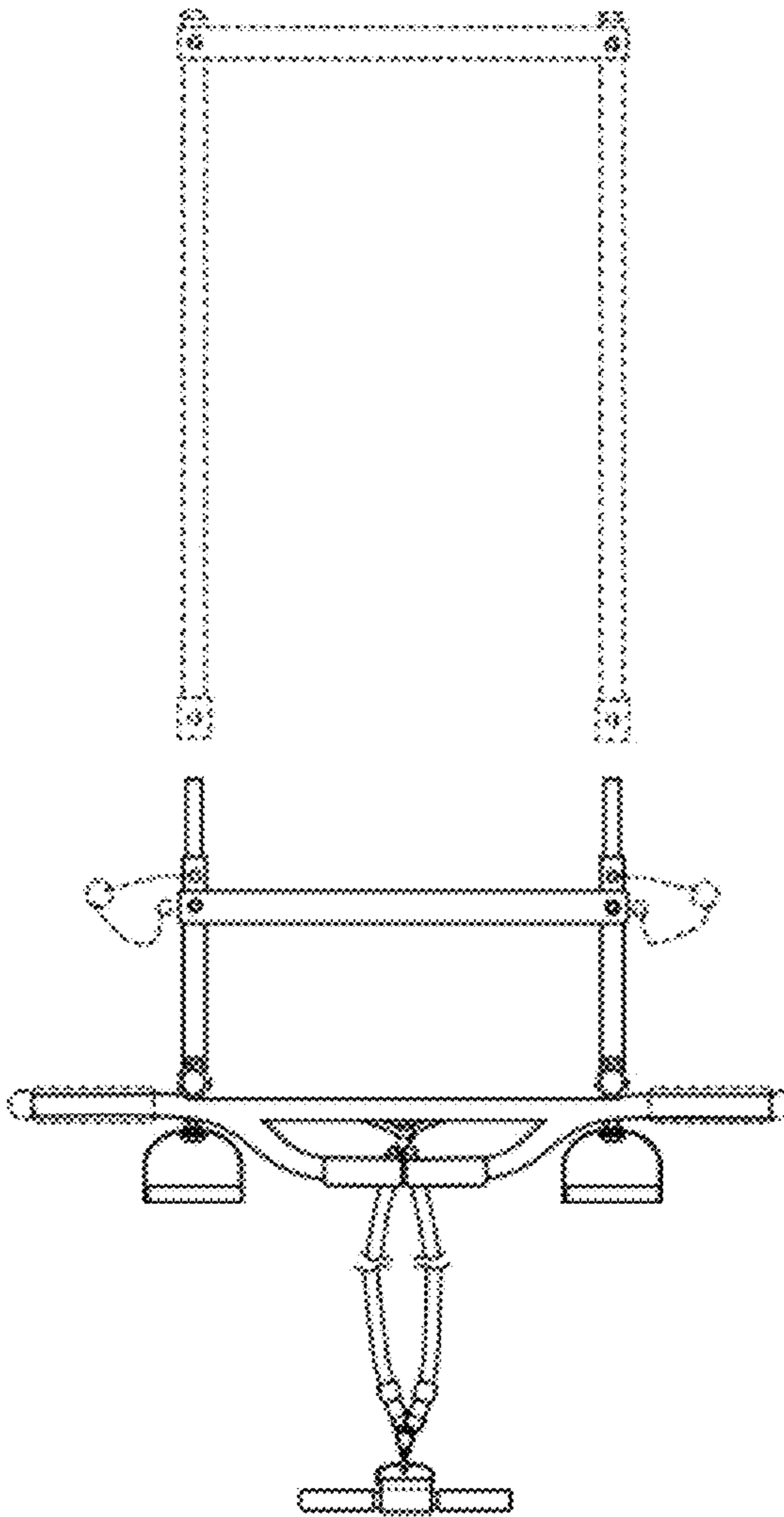
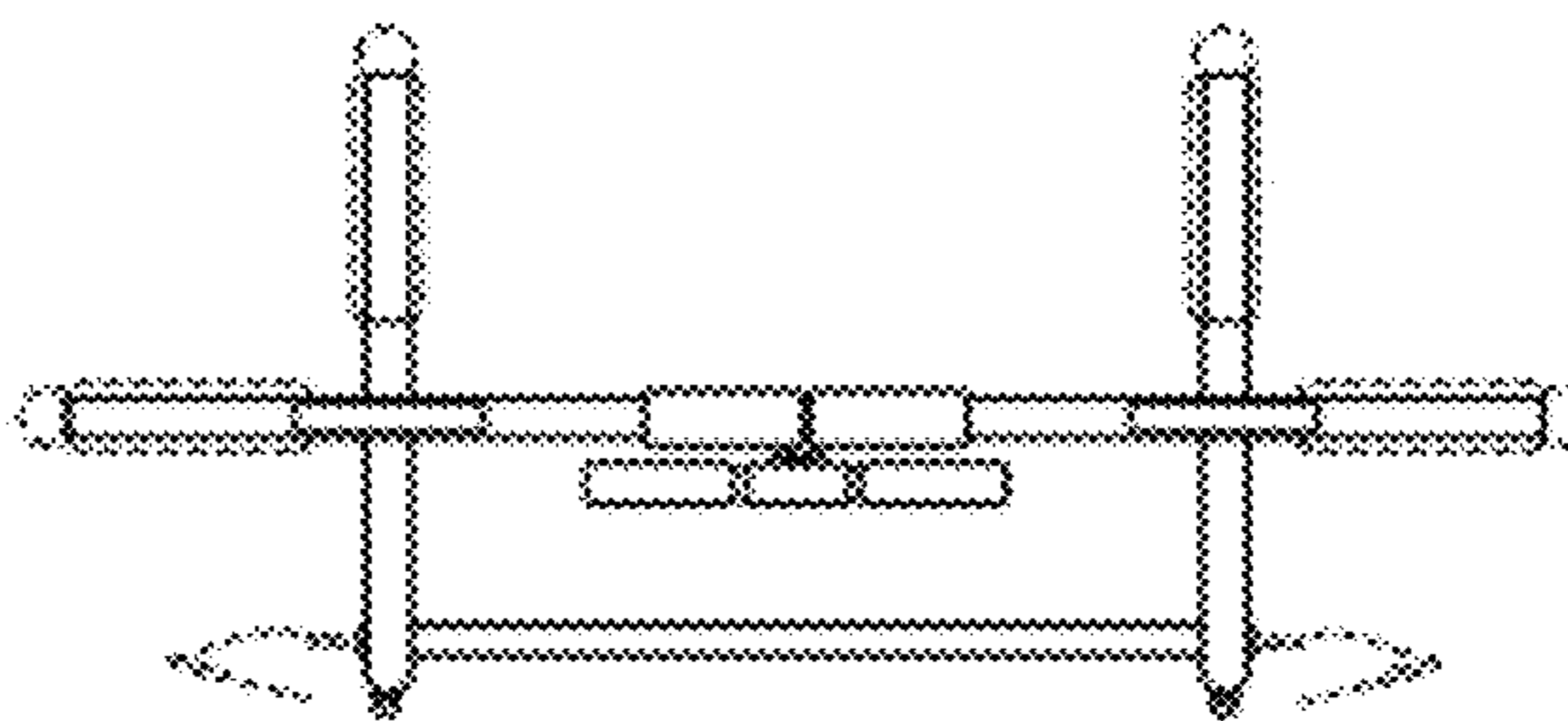


Fig. 3



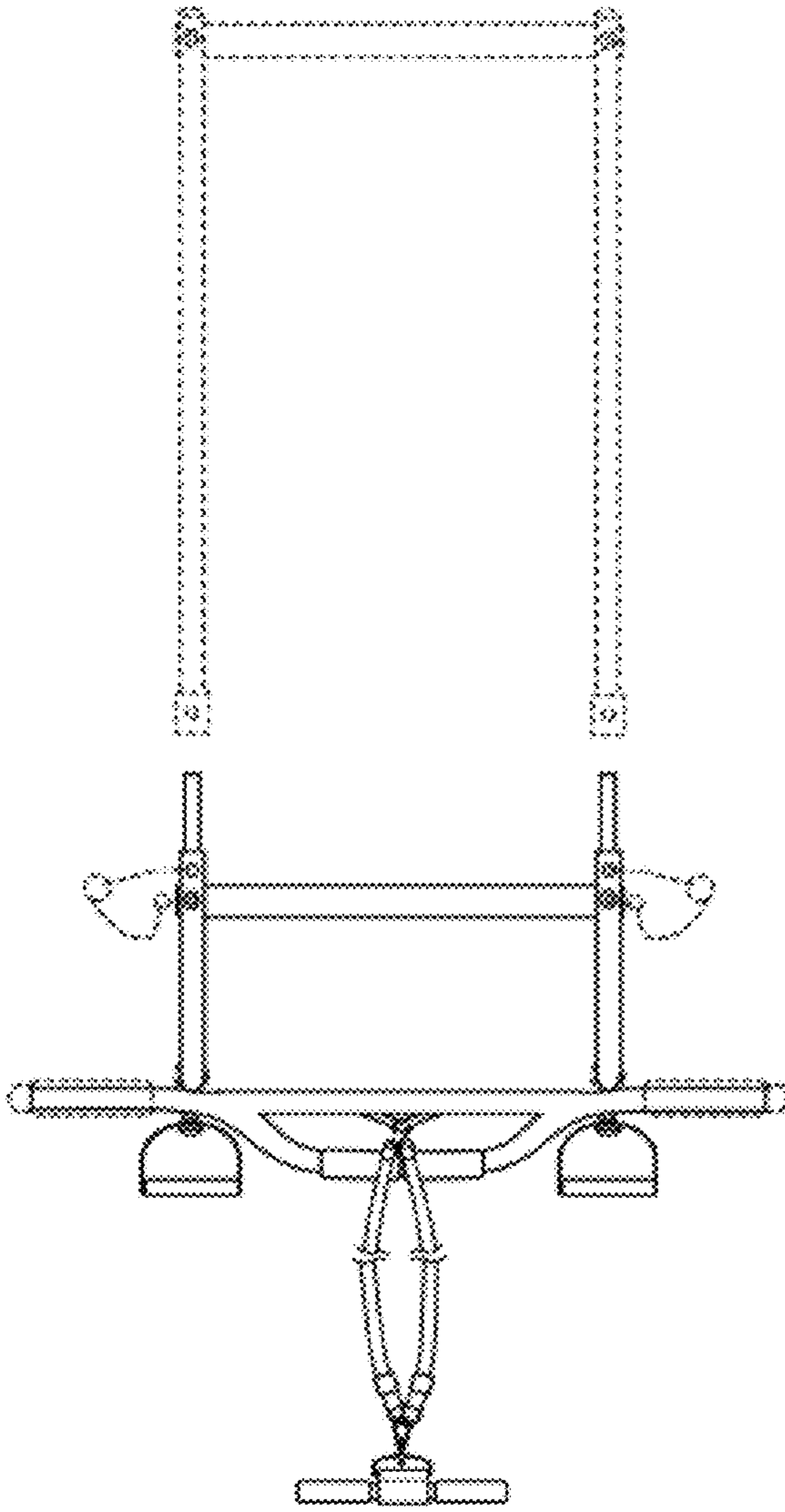


Fig. 4

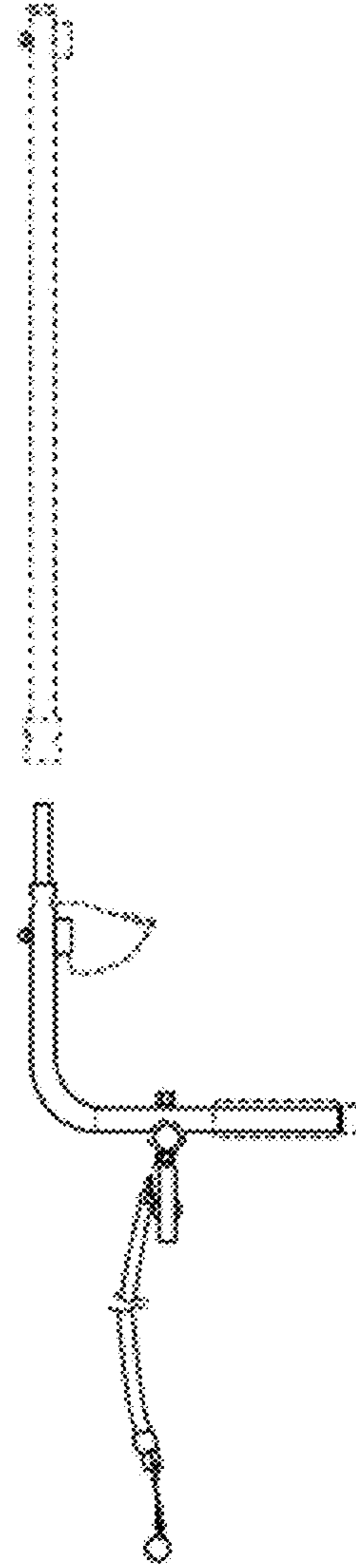


Fig. 5

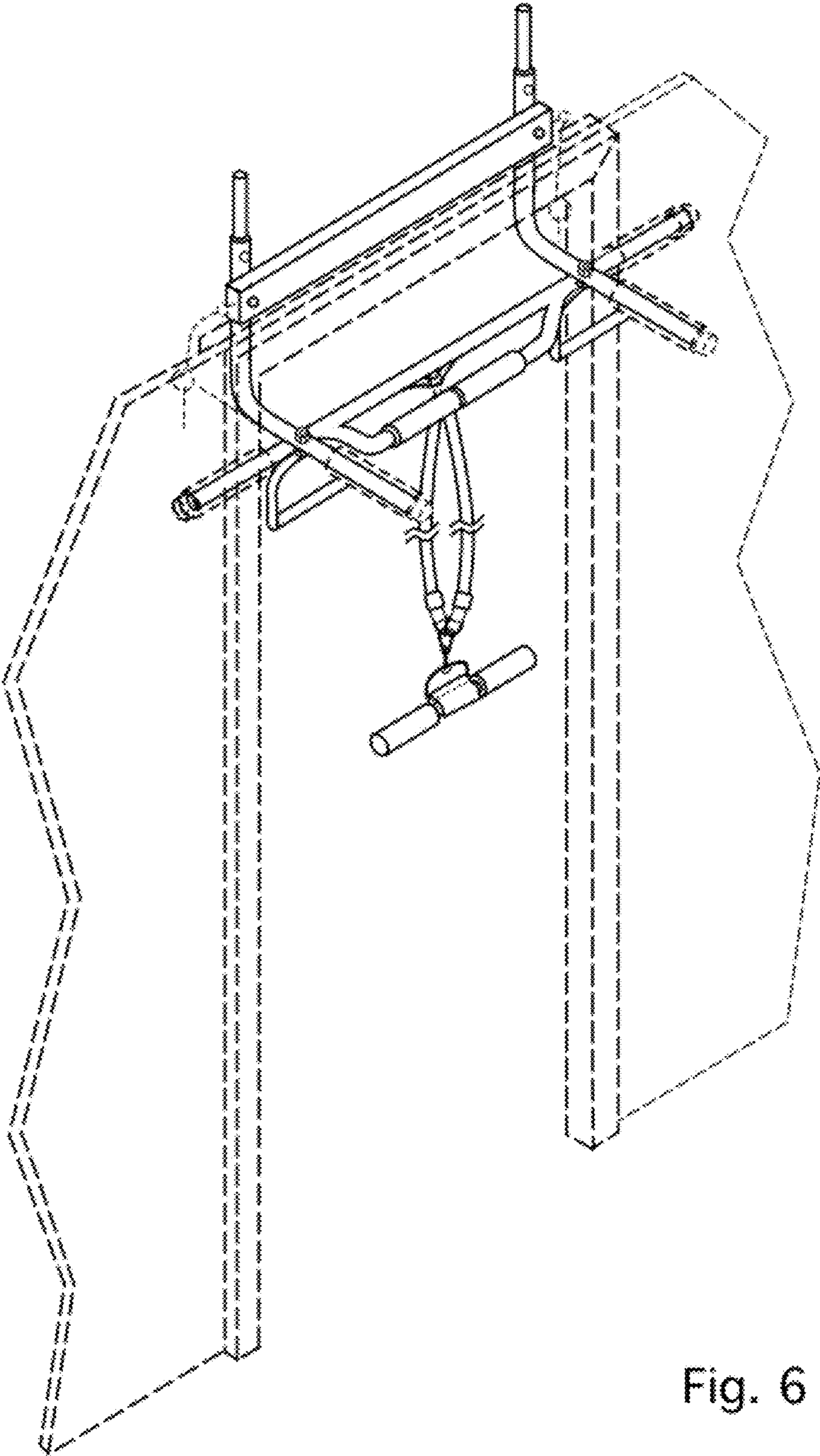


Fig. 6

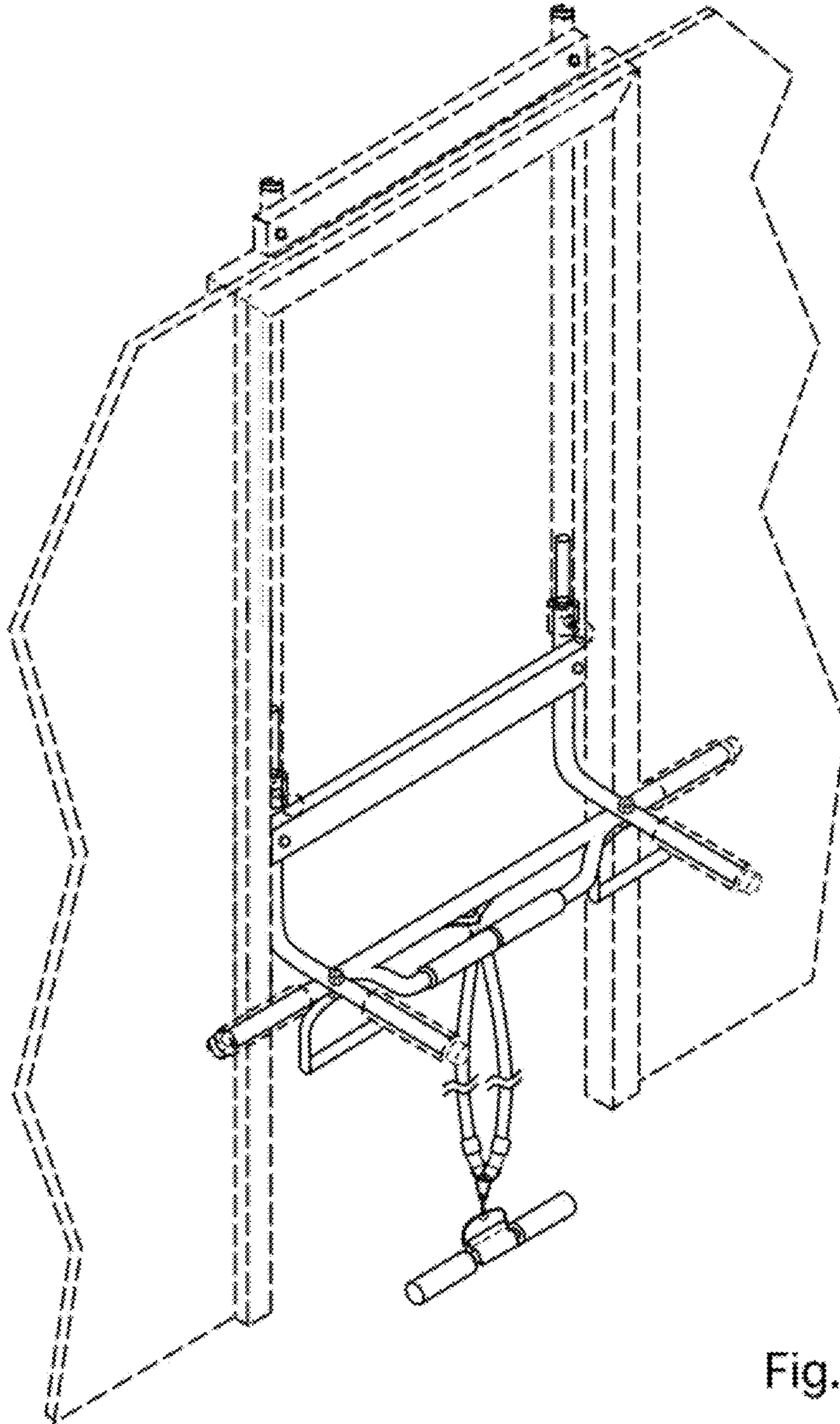


Fig. 7